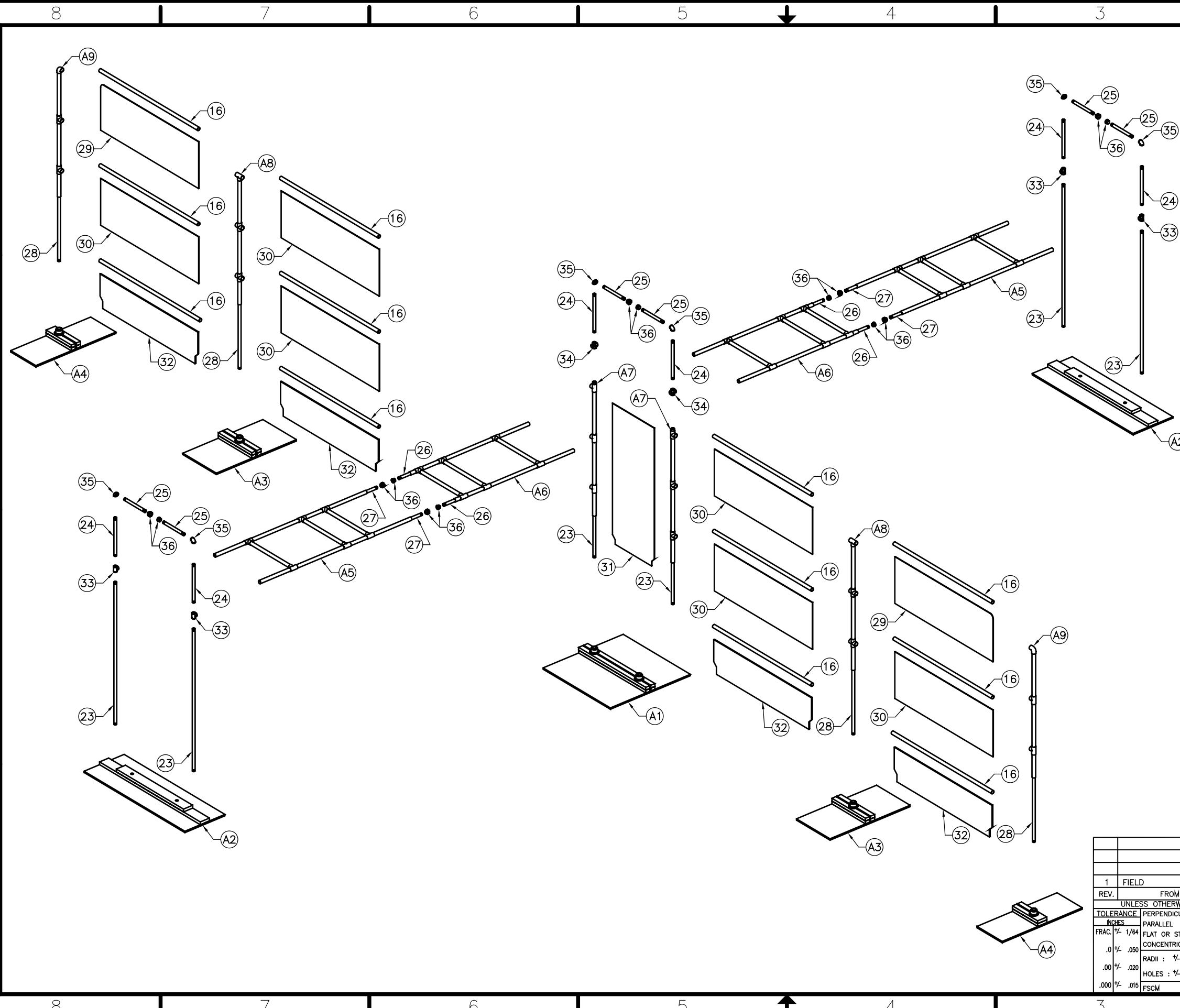


REVISIONS				
ZONE	REV	DESCRIPTION	DATE	APPROVED
	1	ADDED QUANTITIES TO PARTS LIST	11/27/07	---

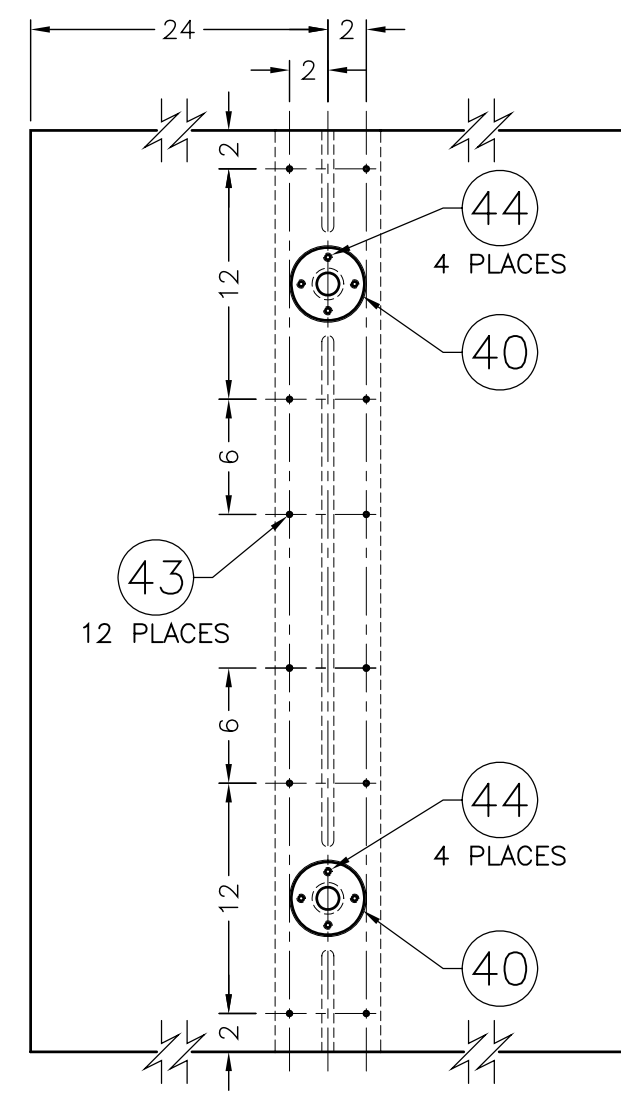
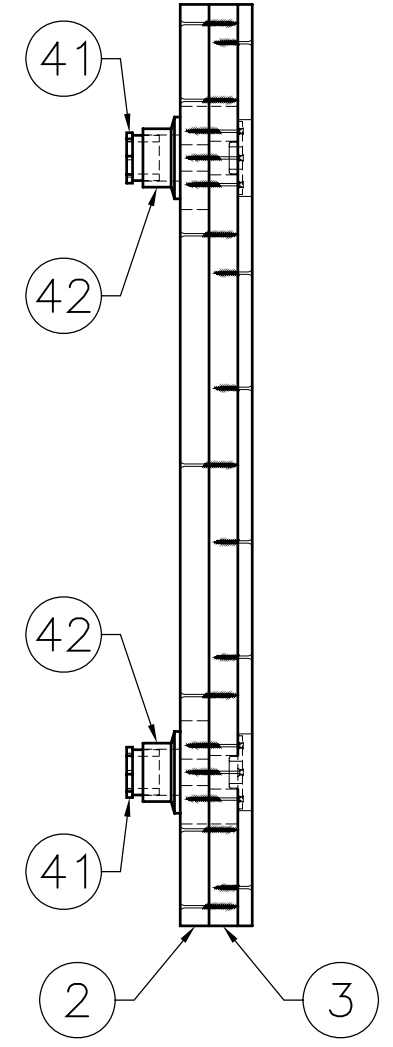
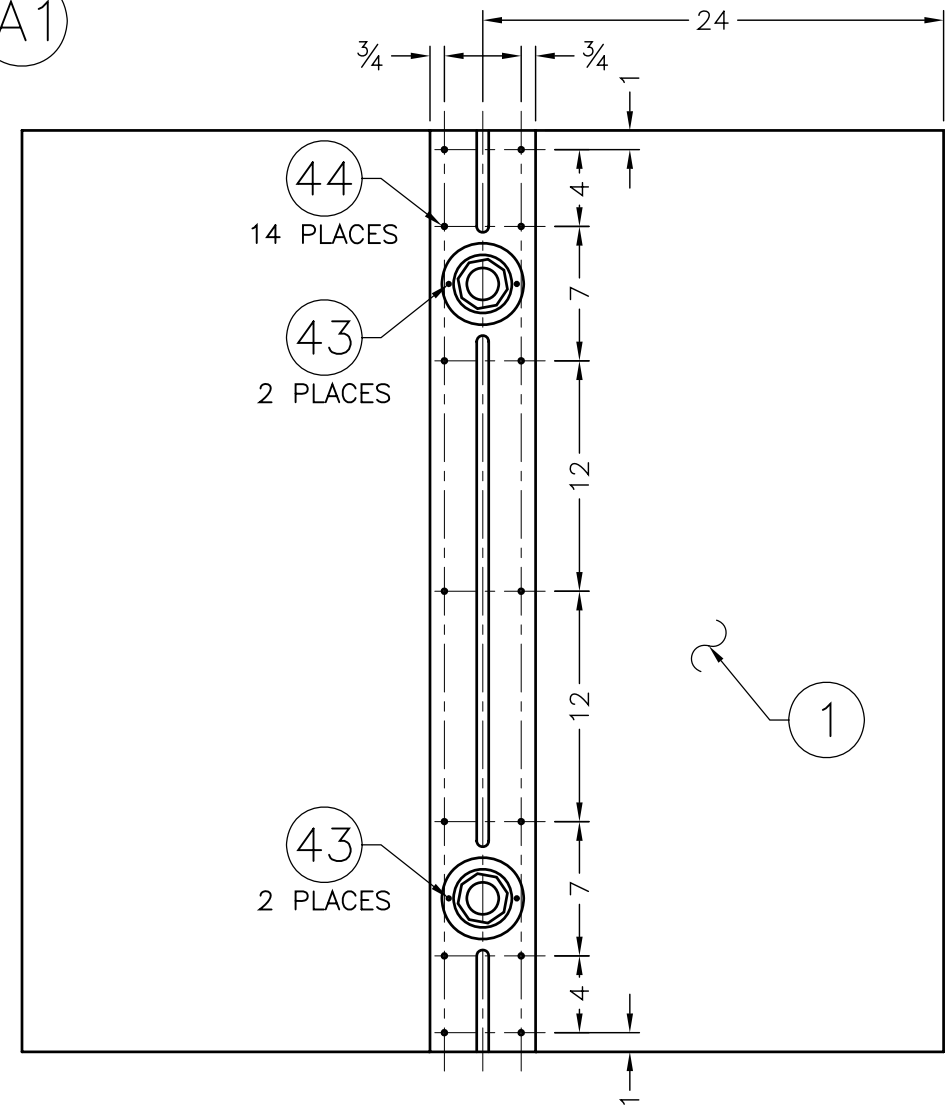
ITEM	QTY.	DESCRIPTION	SHEET	REV	PART NO.
A1	1	BASE ASSY, OVERPASS CENTER	2	1	TO8-0003-A1
A2	2	BASE ASSY, OVERPASS END	4	1	TO8-0003-A2
A3	2	BASE ASSY, DIVIDER MID	6	.	TO8-0003-A3
A4	2	BASE ASSY, DIVIDER END	6	1	TO8-0003-A4
A5	2	OVERPASS RAIL ASSY, LONG	8	1	TO8-0003-A5
A6	2	OVERPASS RAIL ASSY, SHORT	9	1	TO8-0003-A6
A7	2	DIVIDER POST ASSY, INNER	10	.	TO8-0003-A7
A8	2	DIVIDER POST ASSY, MIDDLE	10	.	TO8-0003-A8
A9	2	DIVIDER POST ASSY, OUTER	10	.	TO8-0003-A9
16	9	DIVIDER RAIL	12	.	TO8-0003-16
23	6	PIPE, OVERPASS SUPPORT	12	.	TO8-0003-23
24	6	PIPE, GUARD RAIL SIDE	12	.	TO8-0003-24
25	6	PIPE, GUARD RAIL TOP	12	.	TO8-0003-25
26	4	PIPE, A2 MOUNTING	12	.	TO8-0003-26
27	4	PIPE, A1 MOUNTING	12	.	TO8-0003-27
28	4	PIPE, DIVIDER MOUNTING	12	.	TO8-0003-28
29	2	DIVIDER SHIELD, UPPER CORNER	13	1	TO8-0003-29
30	6	DIVIDER SHIELD, COMMON	13	1	TO8-0003-30
31	1	DIVIDER SHIELD, CENTER	14	1	TO8-0003-31
32	4	DIVIDER SHIELD, BASE	14	2	TO8-0003-32
33	4	TEE, 1" BLACK IRON	15	2	TO8-0003-33
34	2	CROSS, 1" BLACK IRON	15	2	TO8-0003-34
35	6	ELBOW, 1" BLACK IRON	15	2	TO8-0003-35
36	7	UNION, 1"-1" BLACK IRON	15	2	TO8-0003-36



NOTE:  
REMOVE ALL SHARP EDGES.

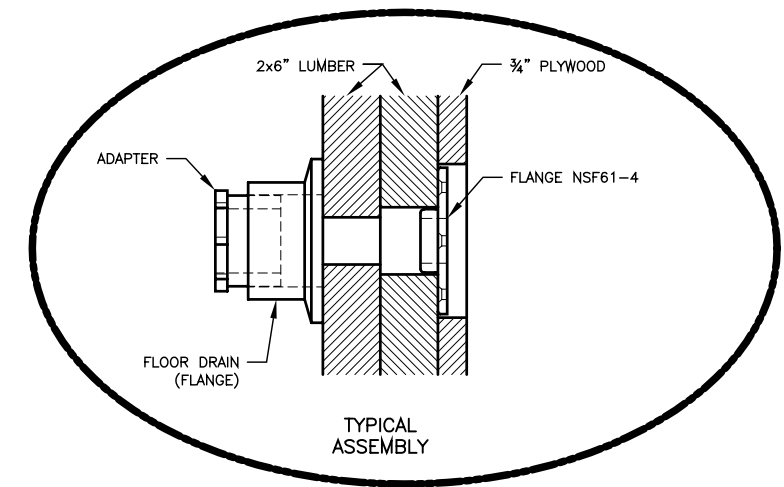
1		FIELD	JRR	11/07		
REV.	FROM	BY	DATE			
UNLESS OTHERWISE SPECIFIED						
TOLERANCE	PERPENDICULAR WITHIN		TITLE			
INCHES	PARALLEL		2008 TEAM FIELD ASSEMBLY LAYOUT			
FRAC. 1/8"	FLAT OR STRAIGHT		MATERIAL			
.0	CONCENTRIC T.J.R.		DRAWN BY			
.00	RADI: 1/8"		DATE		SCALE	CHECKED
.000	HOLES: 1/8"		11/24/07		NA	-
FSCM		SURFACE FINISH		DATE		
				No. TO8-0003		
				SHEET NO. 1 of 15		

A1



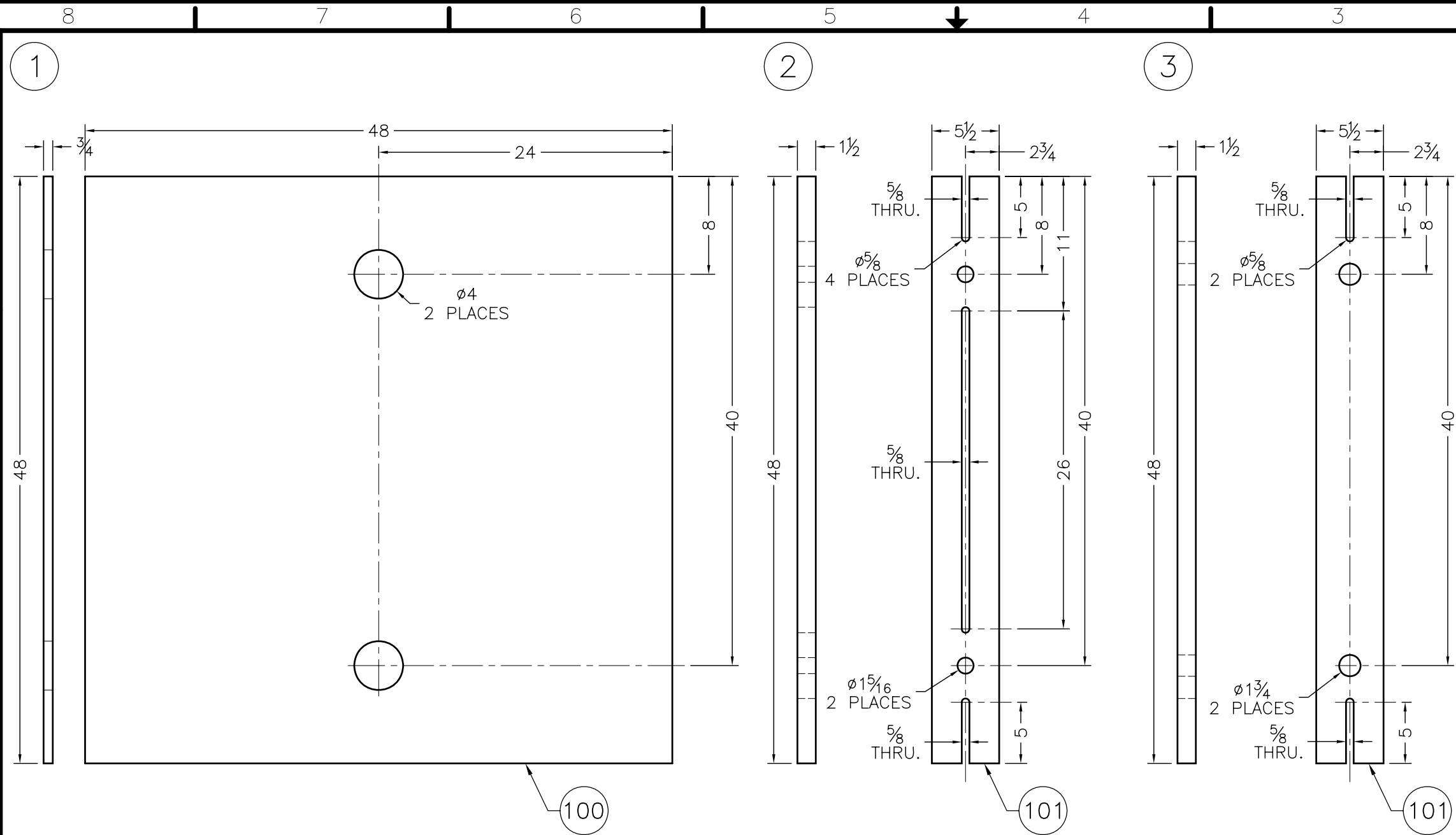
REVISIONS				
ZONE	REV	DESCRIPTION	DATE	APPROVED
1	1	ADDED SCREW DETAIL TO SIDE VIEW	11/28/07	---

ITEM	QTY.	DESCRIPTION	SHEET	REV	PART NO.
1	1	BASE PLATE, A1	3	.	T08-0003-1
2	1	UPPER BOARD, A1	3	.	T08-0003-2
3	1	LOWER BOARD, A1	3	.	T08-0003-3
40	2	FLANGE	15	.	T08-0003-40
41	2	ADAPTER	15	.	T08-0003-41
42	2	DRAIN	15	.	T08-0003-42
43	16	DECK SCREW, #10x2"	15	.	T08-0003-43
44	22	DECK SCREW, #10x3"	15	.	T08-0003-44



NOTE:  
REMOVE ALL SHARP EDGES.

1 FIELD		JRR	11/07	<b>FIRST</b> 200 Bedford Street, Manchester, N.H. 03101 (603) 666-3906 ♦ FAX (603) 666-3907	
REV.	FROM	BY	DATE		
UNLESS OTHERWISE SPECIFIED				TITLE	
TOLERANCE PERPENDICULAR WITHIN .				<b>2008 TEAM FIELD          BASE ASSY, CENTER</b>	
INCHES PARALLEL .					
FRAC. 1/8" 1/64"				MATERIAL	
.0 .000				DRAWN BY	
.00 1/2 .020				DATE	
.000 1/2 .015				SCALE	
FSCM				CHECKED	
				DATE	
				SHEET NO.	
				2 of 15	



REVISIONS				
ZONE	REV	DESCRIPTION	DATE	APPROVED

ITEM	QTY.	DESCRIPTION	SHEET	REV	PART NO.
100	AR	3/4" PLYWOOD	-	-	-
101	AR	2x6 SPF LUMBER	-	-	-

NOTE:  
REMOVE ALL SHARP EDGES.

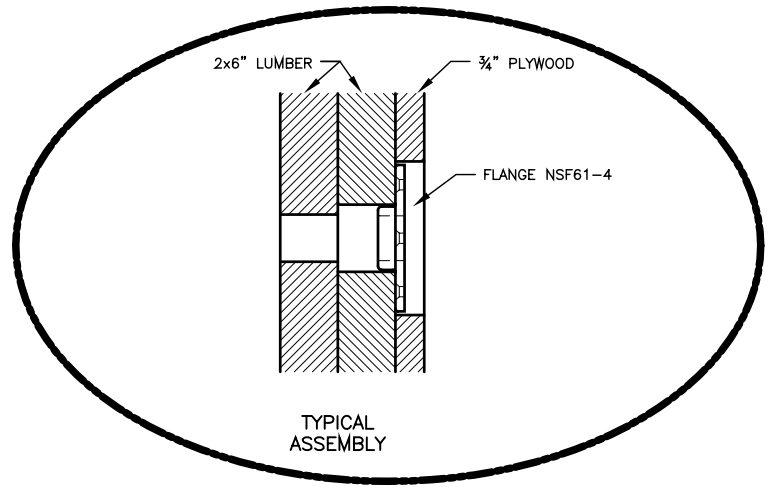
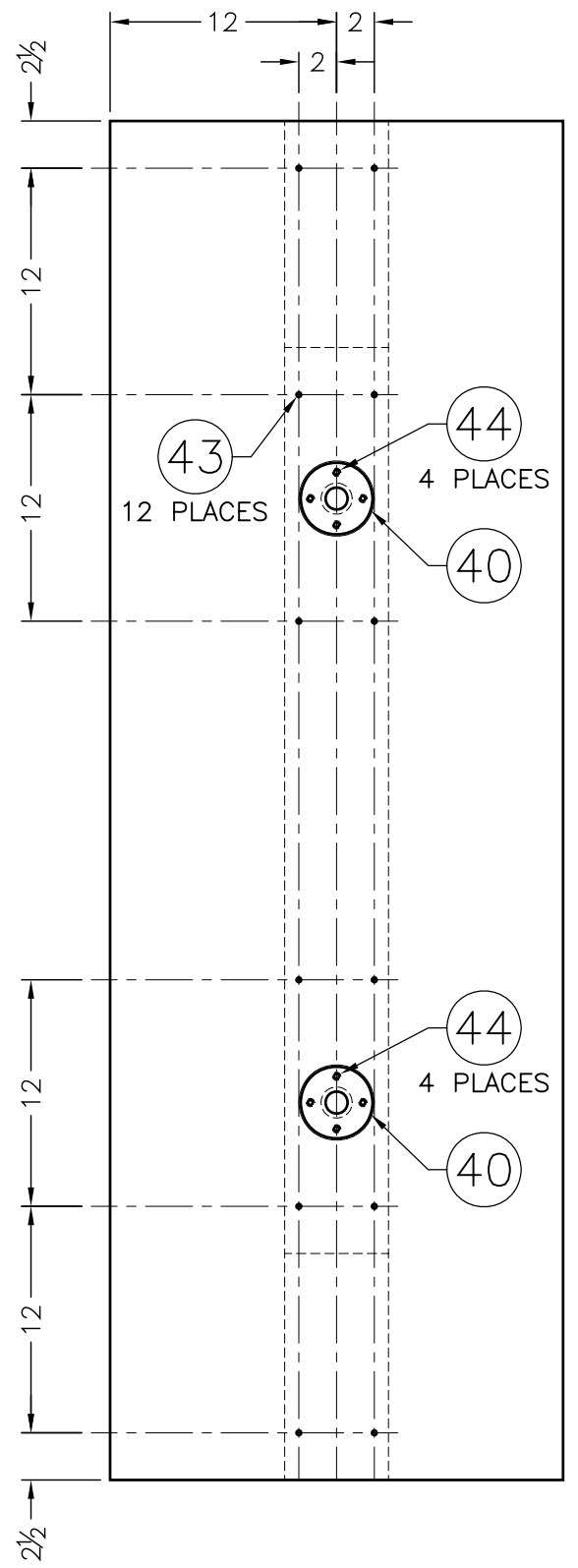
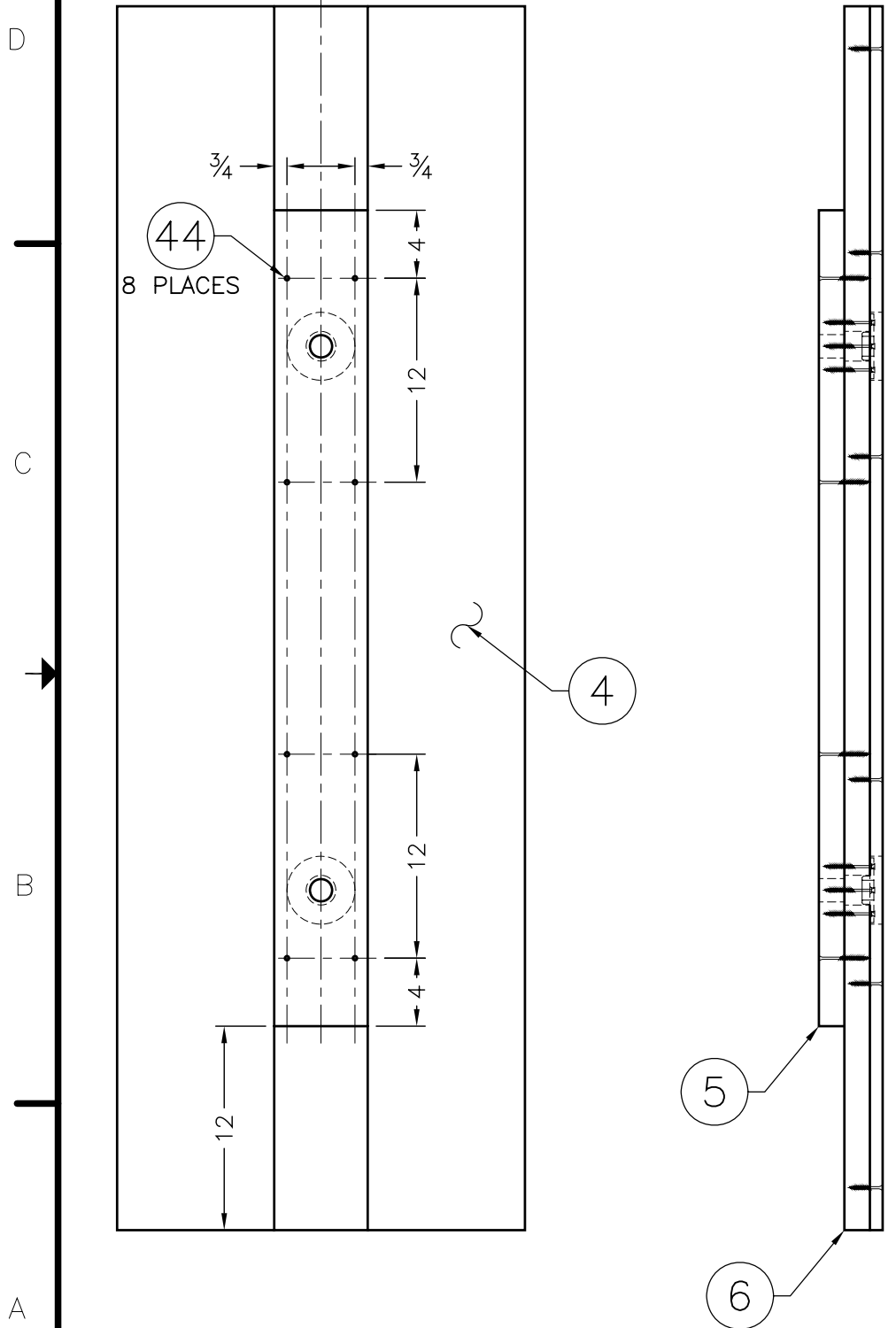
REV.		FROM	BY	DATE	TITLE		MATERIAL				
UNLESS OTHERWISE SPECIFIED					2008 TEAM FIELD BASE FAB, CENTER						
TOLERANCE		PERPENDICULAR WITHIN			DRAWN BY			DATE	SCALE	CHECKED	DATE
INCHES		PARALLEL			JR2D2			11/24/07	1:10	-	-
FRAC. 1/8		FLAT OR STRAIGHT			SIZE			B	No. T08-0003	SHEET NO.	
.015		CONCENTRIC T.I.R.								3 of 15	
.000		RADI: 1/8			SURFACE FINISH						
.000		HOLES: 1/8			FSCM						

**FIRST**  
200 Bedford Street, Manchester, N.H. 03101  
(603) 666-3906 ♦ FAX (603) 666-3907

A2

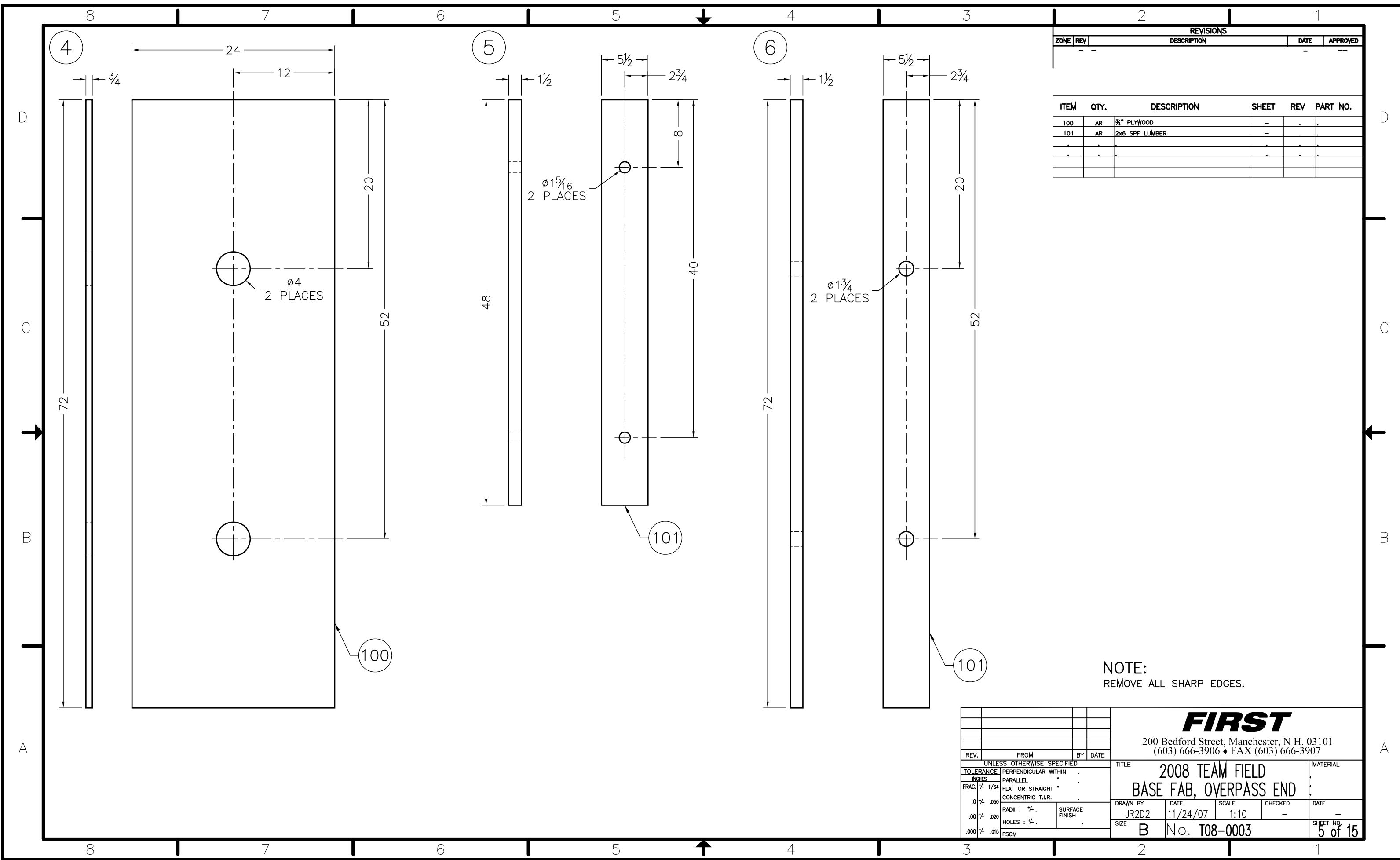
REVISIONS				
ZONE	REV	DESCRIPTION	DATE	APPROVED
	1	ADDED SCREW DETAIL TO SIDE VIEW	11/28/07	---

ITEM	QTY.	DESCRIPTION	SHEET	REV	PART NO.
4	1	BASE PLATE, A2	5	.	T08-0003-4
5	1	UPPER BOARD, A2	5	.	T08-0003-5
6	1	LOWER BOARD, A2	5	.	T08-0003-6
40	2	FLANGE	15	.	T08-0003-40
43	12	DECK SCREW, #10x2"	15	.	T08-0003-43
44	16	DECK SCREW, #10x3"	15	.	T08-0003-44



NOTE:  
REMOVE ALL SHARP EDGES.

1		FIELD	JRR	11/07	<b>FIRST</b> 200 Bedford Street, Manchester, N.H. 03101 (603) 666-3906 ♦ FAX (603) 666-3907	
REV.	FROM	BY	DATE			
UNLESS OTHERWISE SPECIFIED					TITLE	
TOLERANCE PERPENDICULAR WITHIN					2008 TEAM FIELD	
INCHES PARALLEL					BASE ASSY, OVERPASS END	
FRAC. 1/84 FLAT OR STRAIGHT					MATERIAL	
CONCENTRIC T.J.R.					DRAWN BY	
.0 1/8 .050 RADI : 1/8 SURFACE FINISH					DATE	
.00 1/8 .020 HOLES : 1/8					SCALE	
.000 1/8 .015 FSCM					CHECKED	
					DATE	
					SIZE	
					SHEET NO.	
					4 of 15	

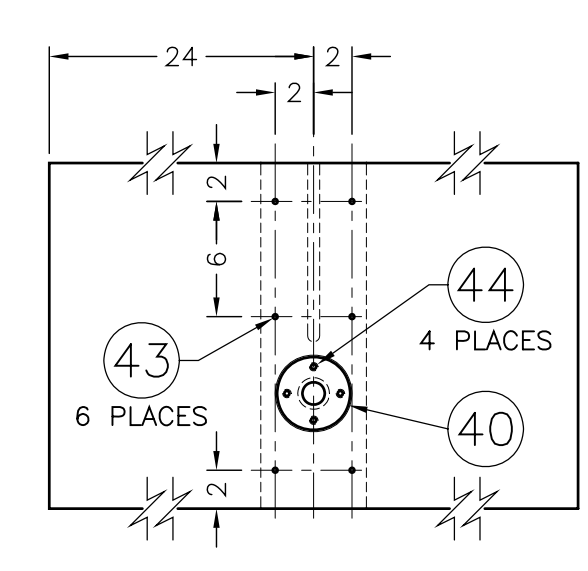
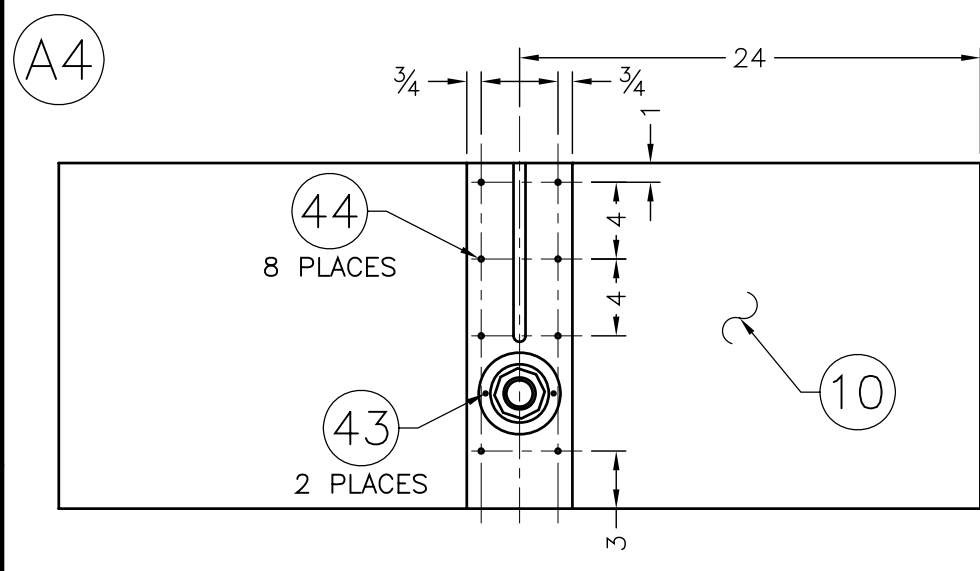
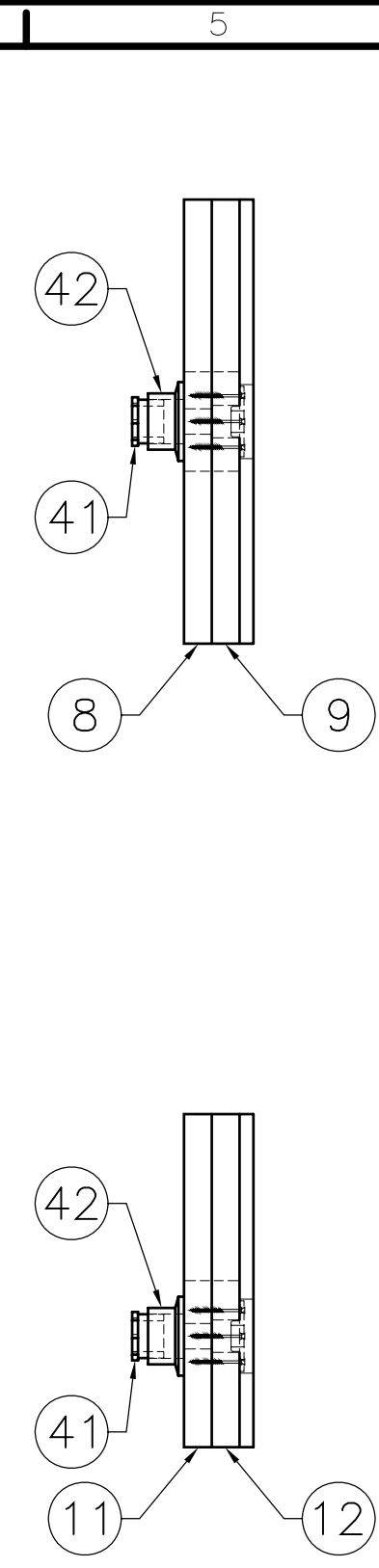
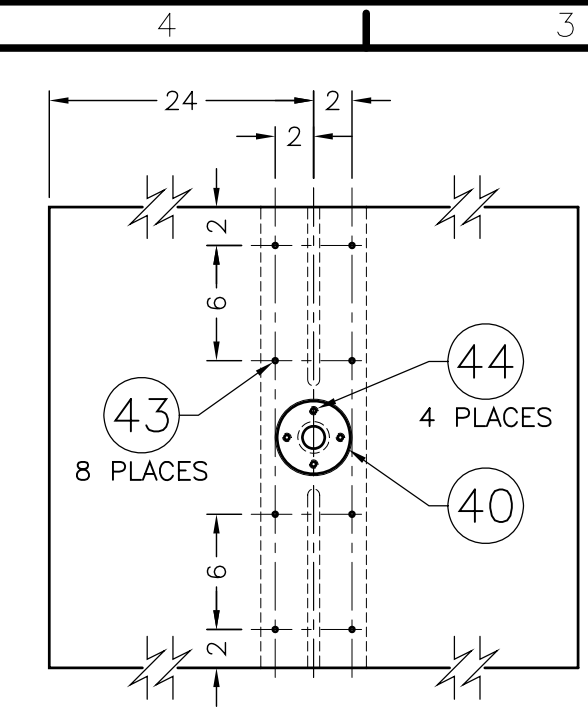
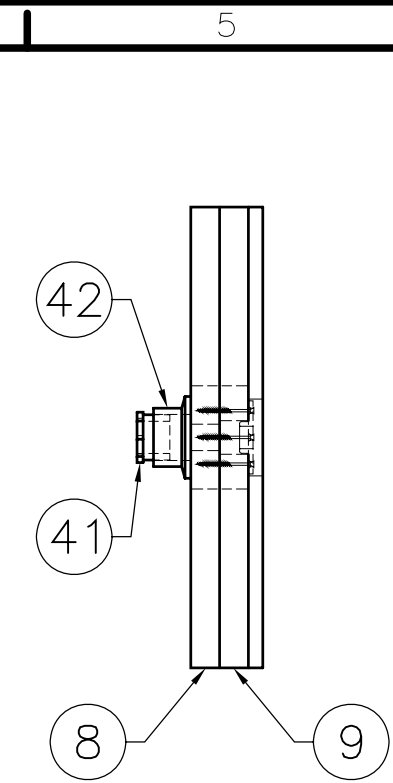
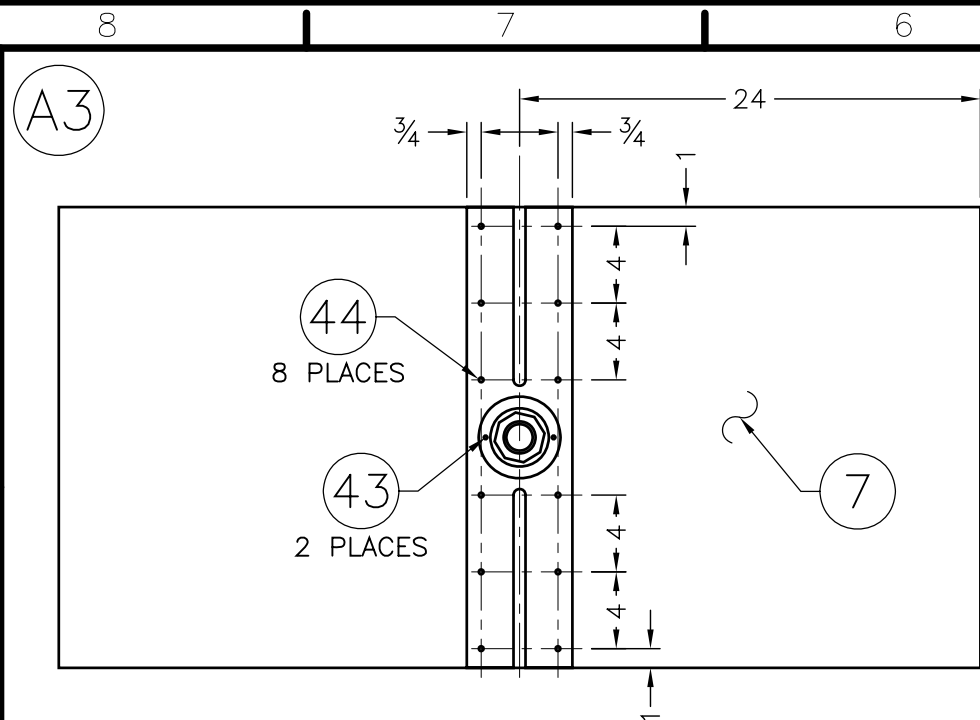


REVISIONS				
ZONE	REV	DESCRIPTION	DATE	APPROVED

ITEM	QTY.	DESCRIPTION	SHEET	REV	PART NO.
100	AR	3/4" PLYWOOD	-	.	.
101	AR	2x6 SPF LUMBER	-	.	.

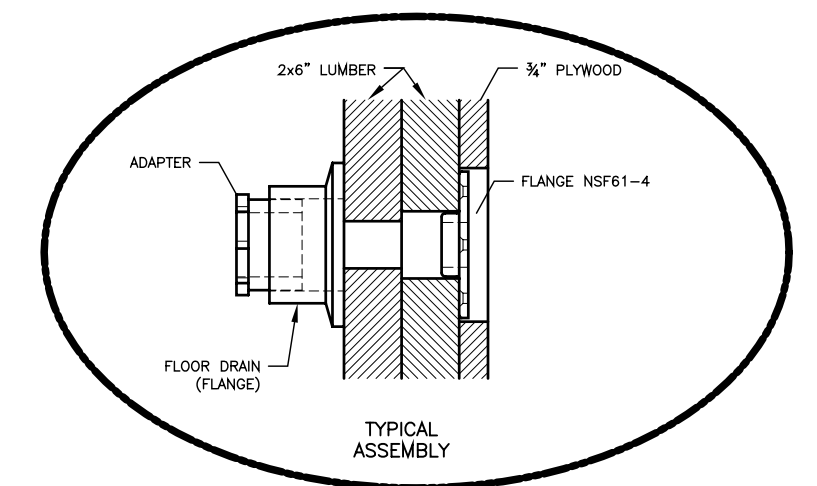
NOTE:  
REMOVE ALL SHARP EDGES.

REV.		FROM	BY	DATE	TITLE		MATERIAL	
UNLESS OTHERWISE SPECIFIED					2008 TEAM FIELD BASE FAB, OVERPASS END			
TOLERANCE		PERPENDICULAR WITHIN			DRAWN BY			DATE
INCHES		PARALLEL			JR2D2			11/24/07
FRAC. 1/8		FLAT OR STRAIGHT			SCALE			CHECKED
.0		CONCENTRIC T.J.R.			1:10			-
.00		RADIUS : 1/8			SIZE			DATE
.000		HOLES : 1/8			B			-
		FSCM			No. T08-0003			SHEET NO.
								5 of 15



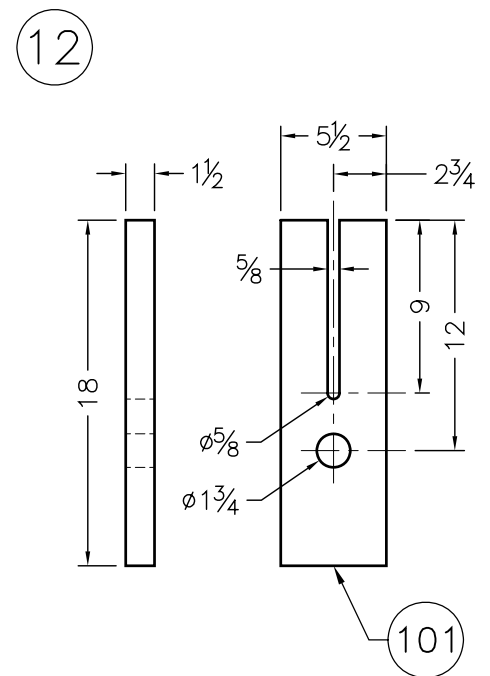
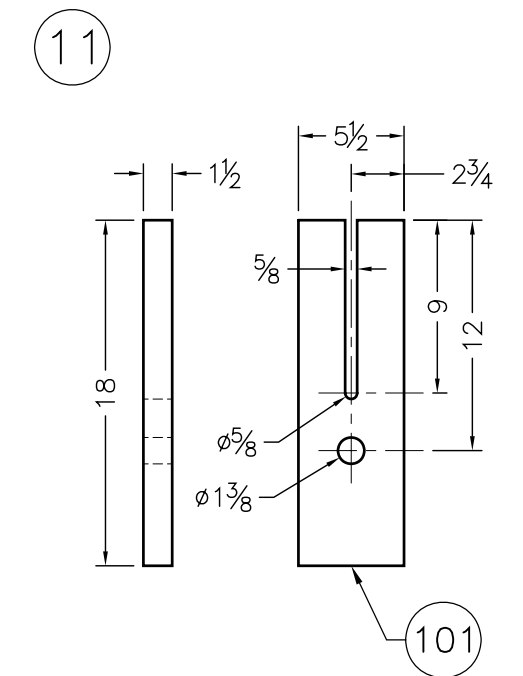
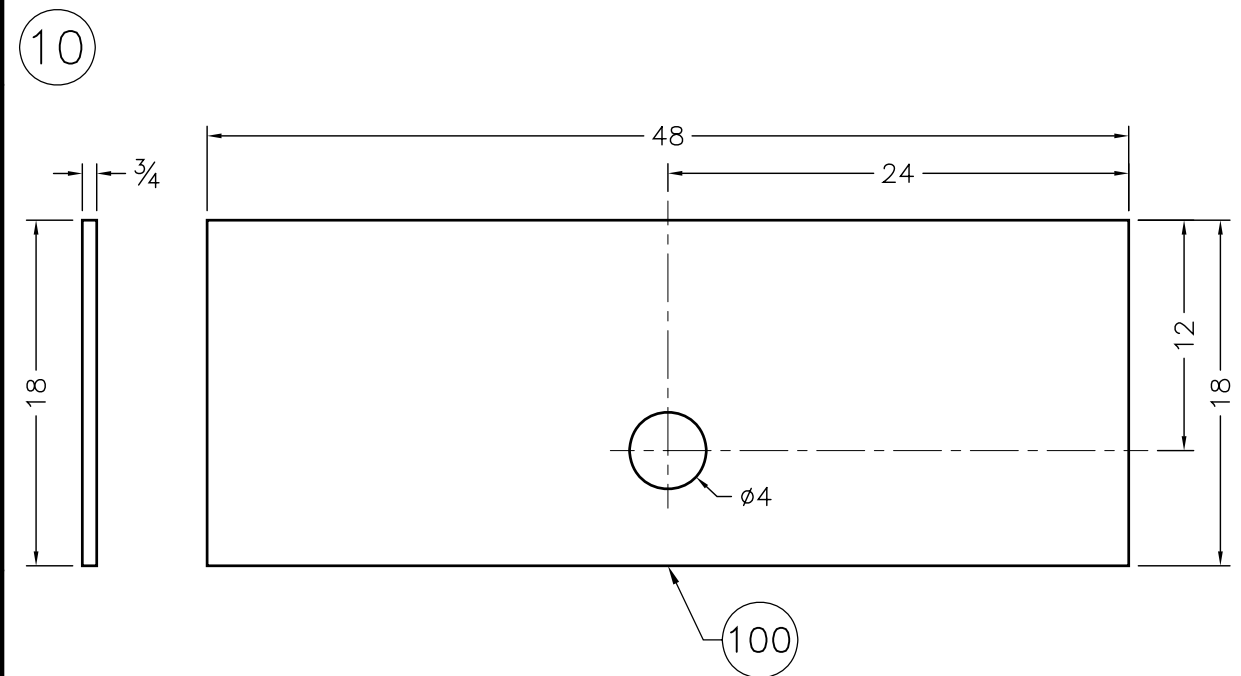
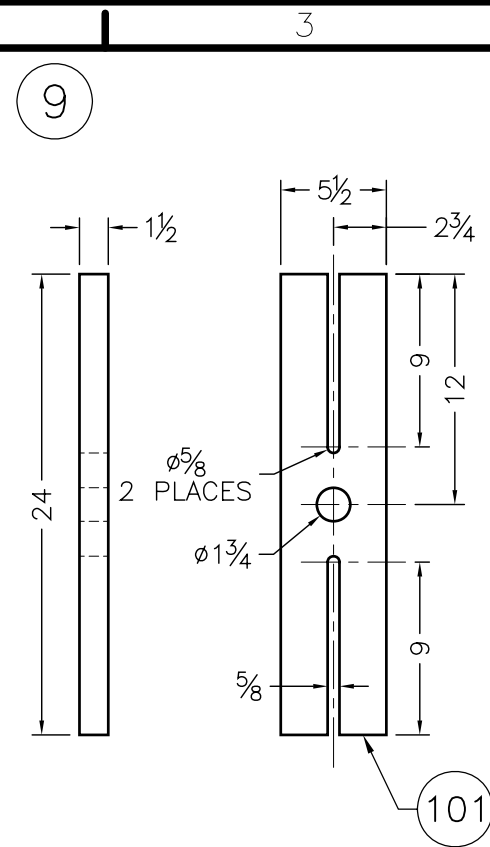
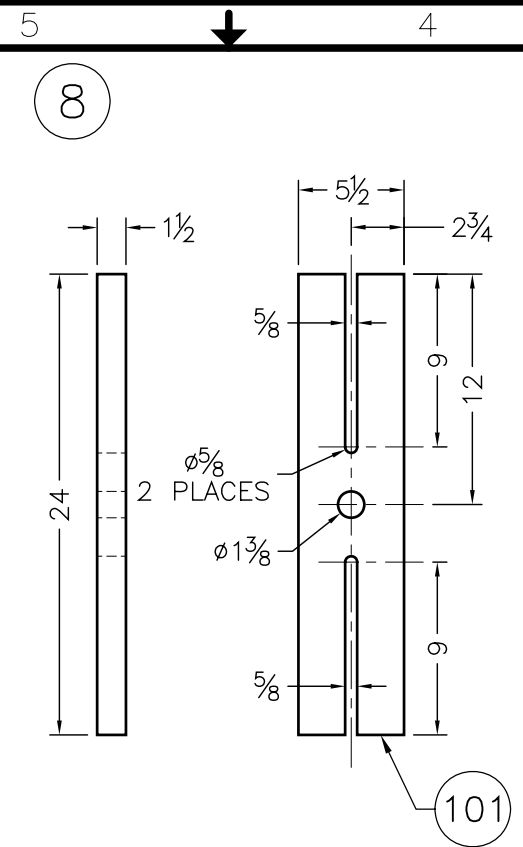
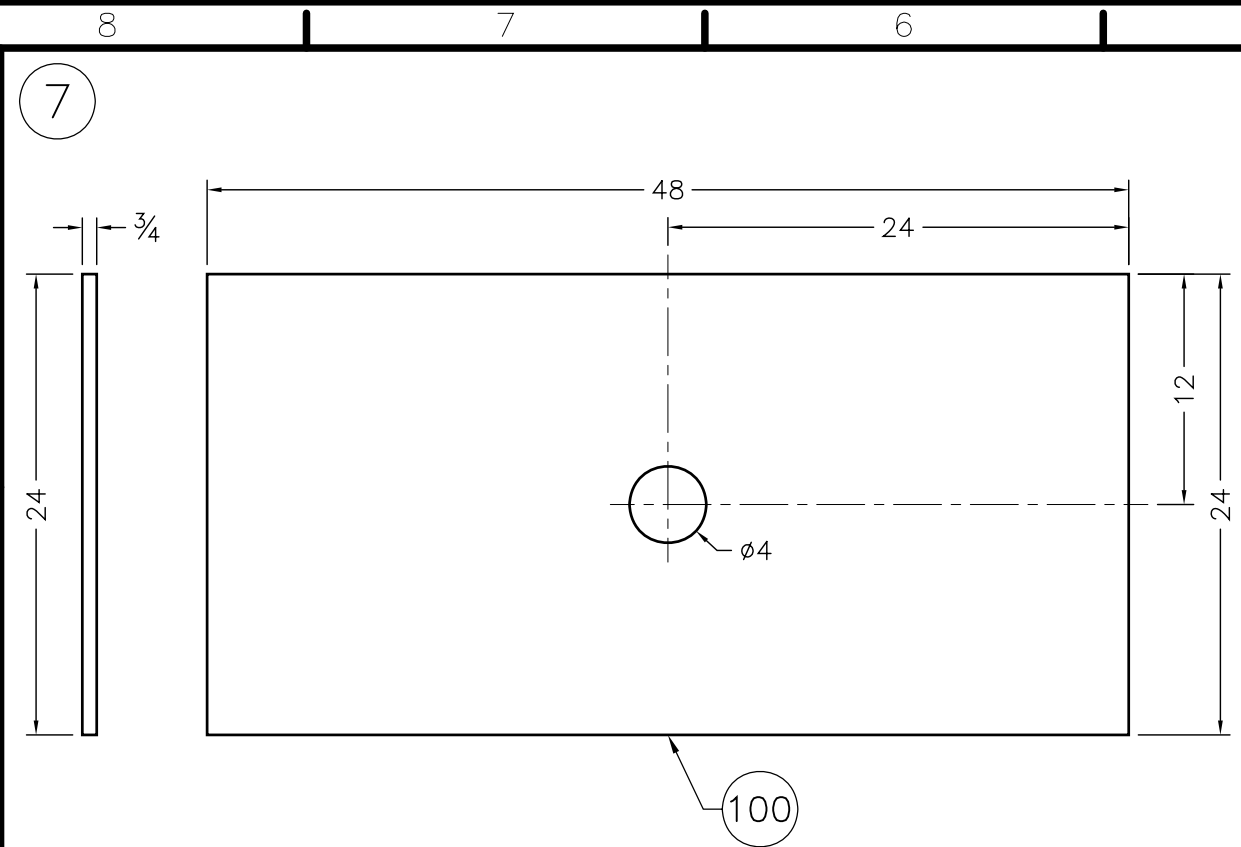
REVISIONS				
ZONE	REV	DESCRIPTION	DATE	APPROVED
	1	REMOVED UNREFERENCED BALLOON, SECTION A5 ADDED SCREW DETAIL TO SIDE VIEW	11/28/07	--

ITEM	QTY.	DESCRIPTION	SHEET	REV	PART NO.
7	1	BASE PLATE, A3	7	.	T08-0003-7
8	1	UPPER BOARD, A3	7	.	T08-0003-8
9	1	LOWER BOARD, A3	7	.	T08-0003-9
10	1	BASE PLATE, A4	7	.	T08-0003-10
11	1	UPPER BOARD, A4	7	.	T08-0003-11
12	1	LOWER BOARD, A4	7	.	T08-0003-12
40	1	FLANGE	15	.	T08-0003-40
41	1	ADAPTER	15	.	T08-0003-41
42	1	DRAIN	15	.	T08-0003-42
43	18	DECK SCREW, #10x2"	15	.	T08-0003-43
44	24	DECK SCREW, #10x3"	15	.	T08-0003-44



NOTE:  
REMOVE ALL SHARP EDGES.

1 FIELD		JRR	11/07	TITLE		MATERIAL	
REV.	FROM	BY	DATE	2008 TEAM FIELD BASE ASSY'S, DIVIDER			
UNLESS OTHERWISE SPECIFIED				DRAWN BY		DATE	SCALE
TOLERANCE PERPENDICULAR WITHIN				JR2D2		11/24/07	1:10
INCHES PARALLEL				SIZE		CHECKED	DATE
FRAC. 1/8"				B		-	-
.015				No. T08-0003		SHEET NO.	
.000						6 of 15	
.000							



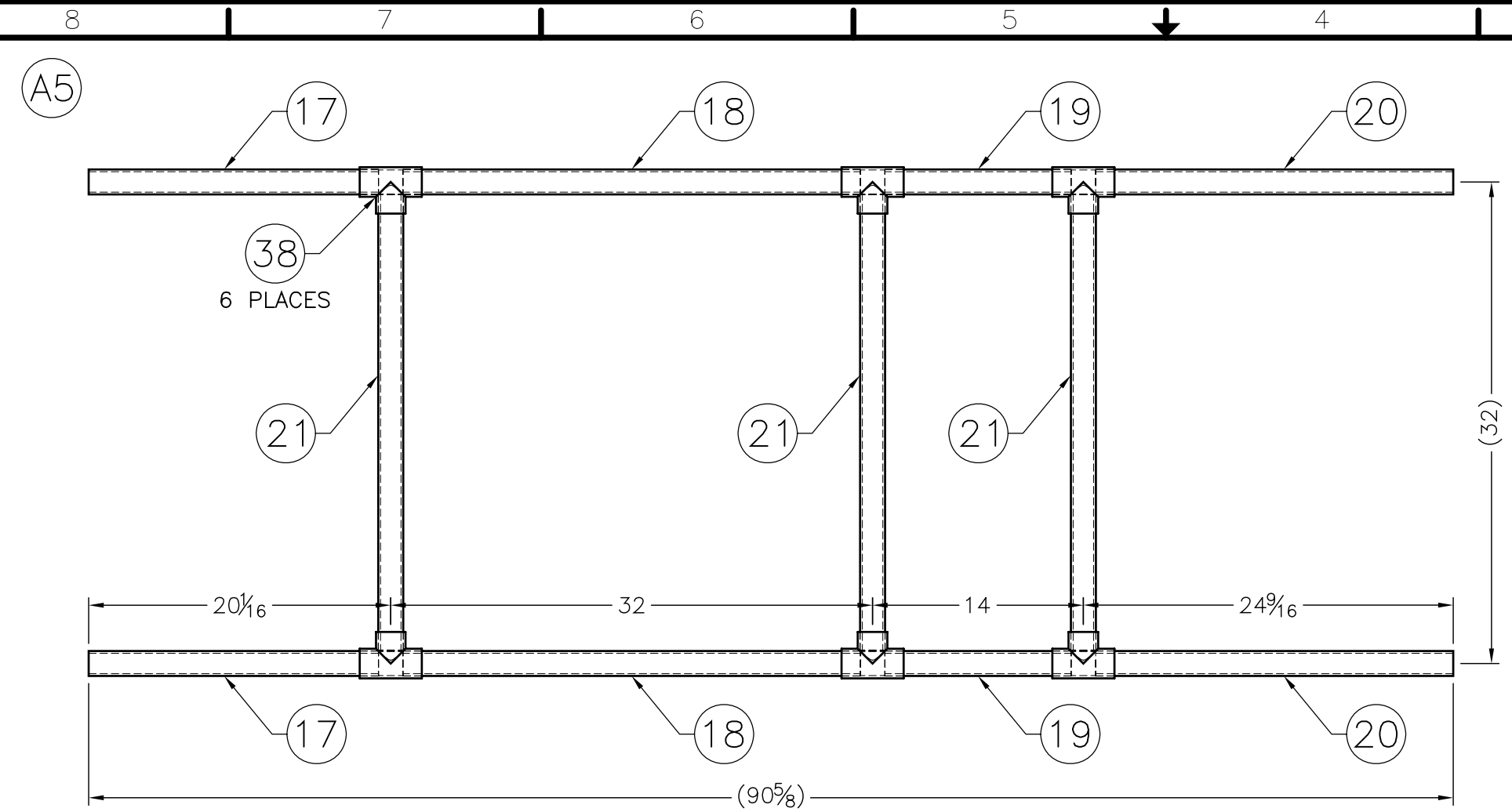
REVISIONS				
ZONE	REV	DESCRIPTION	DATE	APPROVED

ITEM	QTY.	DESCRIPTION	SHEET	PART NO.
100	AR	3/4" PLYWOOD	.	.
101	AR	2x6 SPF LUMBER	.	.

NOTE:  
REMOVE ALL SHARP EDGES.

REV.		FROM	BY	DATE	<b>FIRST</b> 200 Bedford Street, Manchester, N.H. 03101 (603) 666-3906 • FAX (603) 666-3907		TITLE		MATERIAL	
UNLESS OTHERWISE SPECIFIED							2008 TEAM FIELD BASE FAB, DIVIDER BASES			
TOLERANCE		PERPENDICULAR WITHIN			DRAWN BY		DATE	SCALE	CHECKED	DATE
ANGLES		PARALLEL			JR2D2		11/24/07	1:10	-	-
FRAC. 1/4 - 1/64		FLAT OR STRAIGHT			SIZE		B	No. T08-0003	SHEET NO.	
.0		RADI: 1/4			FSCM				7 of 15	
.00		CONCENTRIC T.I.R.								
.000		SURFACE FINISH								
		HOLES: 1/4								



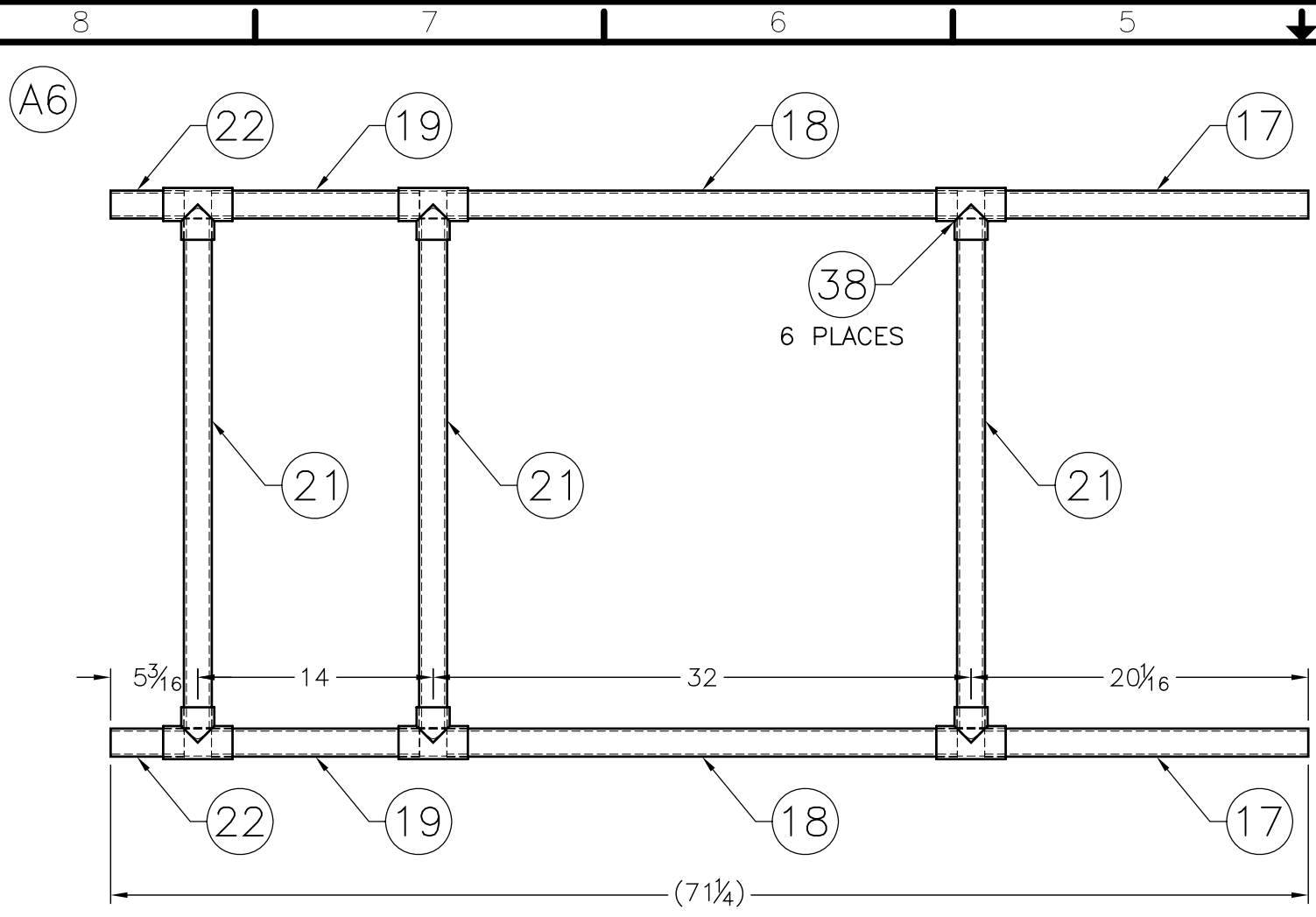
REVISIONS				
ZONE	REV	DESCRIPTION	DATE	APPROVED
	1	CORRECTED ITEM #s IN BALLOONS AND PARTS LIST	11/27/07	--

ITEM	QTY.	DESCRIPTION	SHEET	REV	PART NO.
17	2	PIPE, OVERPASS RAIL-1	11	.	TO8-0003-20
18	2	PIPE, OVERPASS RAIL-2	11	.	TO8-0003-21
19	2	PIPE, OVERPASS RAIL-3	11	.	TO8-0003-22
20	2	PIPE, OVERPASS RAIL-4	11	.	TO8-0003-23
21	3	PIPE, OVERPASS RUNG	11	.	TO8-0003-24
38	6	TEE	15	.	TO8-0003-38
.	.	.	.	.	.
.	.	.	.	.	.
.	.	.	.	.	.
.	.	.	.	.	.
.	.	.	.	.	.
.	.	.	.	.	.
.	.	.	.	.	.
.	.	.	.	.	.
.	.	.	.	.	.
.	.	.	.	.	.

NOTE:  
REMOVE ALL SHARP EDGES.

1 FIELD		JRR	11/07	<p align="center"><b>FIRST</b></p> <p>200 Bedford Street, Manchester, N H. 03101 (603) 666-3906 ♦ FAX (603) 666-3907</p>	
REV.	FROM	BY	DATE		
UNLESS OTHERWISE SPECIFIED				TITLE	
TOLERANCE				2008 TEAM FIELD OVERPASS RAIL ASSY, LONG	
PERPENDICULAR WITHIN .				MATERIAL	
PARALLEL .				.	
FRAC. 1/8 .				DRAWN BY	
CONCENTRIC T.J.R. .				JR2D2	
RADI: 1/8 .				DATE	
HOLES: 1/8 .				11/24/07	
FSCM				SCALE	
				1:10	
				CHECKED	
				-	
				DATE	
				-	
				SIZE	
				B	
				No. T08-0003	
				SHEET NO.	
				8 of 15	



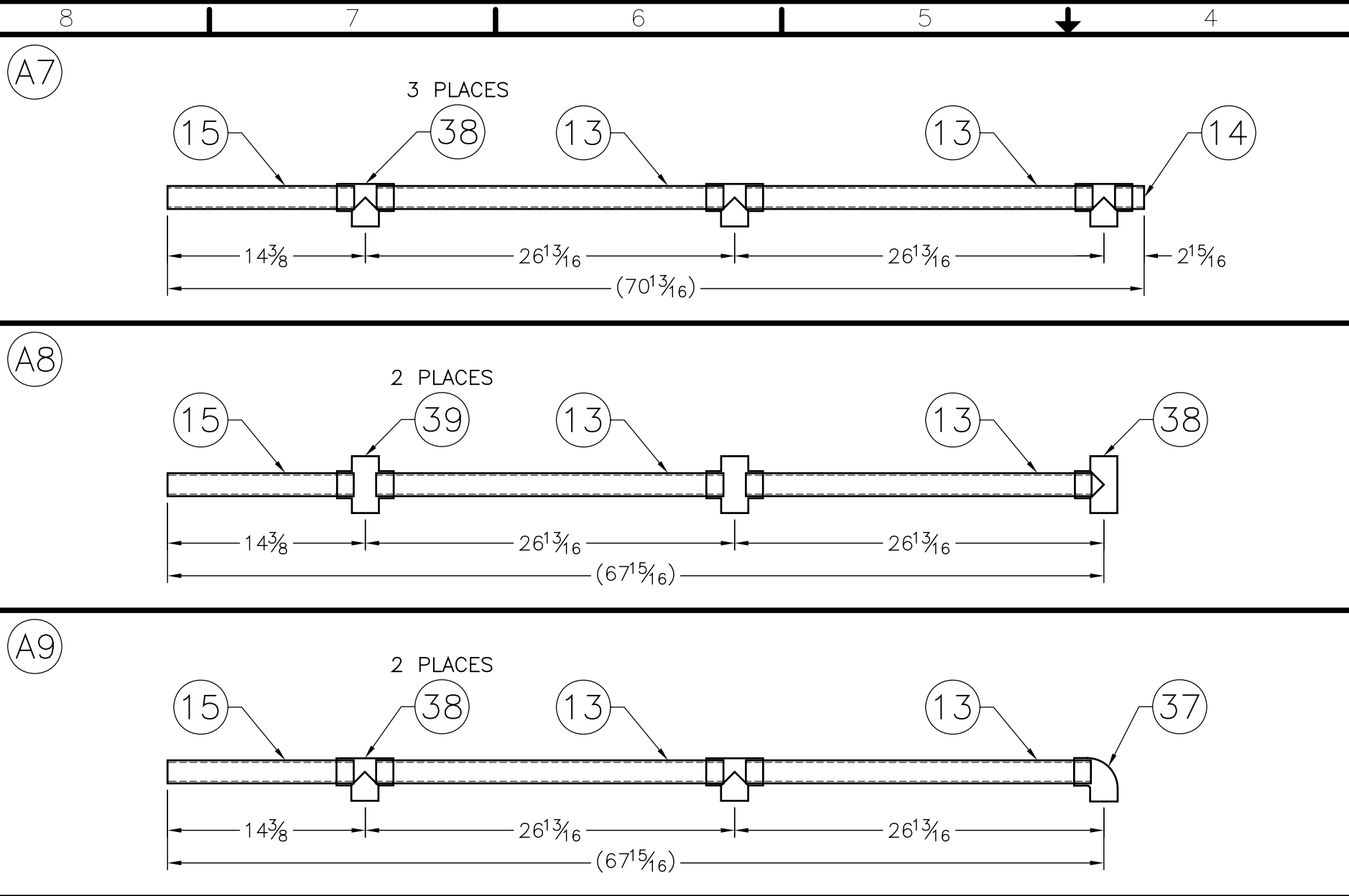


REVISIONS				
ZONE	REV	DESCRIPTION	DATE	APPROVED
	1	CORRECTED ITEM #s IN BALLOONS AND PARTS LIST	11/27/07	--
	2	REPLACED ITEM 20 WITH ITEM 17, CORRECTED BALLOON REF.	11/28/07	--

ITEM	QTY.	DESCRIPTION	SHEET	REV	PART NO.
17	2	PIPE, OVERPASS RAIL-1	7	.	TO8-0003-17
18	2	PIPE, OVERPASS RAIL-2	7	.	TO8-0003-20
19	2	PIPE, OVERPASS RAIL-3	7	.	TO8-0003-21
21	3	PIPE, OVERPASS RUNG	7	.	TO8-0003-24
22	2	PIPE, OVERPASS RAIL-5	7	.	TO8-0003-25
38	6	TEE	15	.	TO8-0003-38
.	.	.	.	.	.
.	.	.	.	.	.
.	.	.	.	.	.
.	.	.	.	.	.
.	.	.	.	.	.
.	.	.	.	.	.
.	.	.	.	.	.
.	.	.	.	.	.
.	.	.	.	.	.

NOTE:  
REMOVE ALL SHARP EDGES.

2 FIELD JRR 11/07 1 FIELD JRR 11/07 REV. FROM BY DATE		<b>FIRST</b> 200 Bedford Street, Manchester, N H. 03101 (603) 666-3906 ♦ FAX (603) 666-3907	
UNLESS OTHERWISE SPECIFIED TOLERANCE PERPENDICULAR WITHIN . INCHES PARALLEL . FRAC. 1/2 - 1/64 FLAT OR STRAIGHT * .0 .000 CONCENTRIC T.J.R. . .000 .000 RADI: 1/2 . SURFACE FINISH . .000 .015 HOLES: 1/2 . FSCM .		TITLE <b>2008 TEAM FIELD OVERPASS RAIL ASSY, SHORT</b> MATERIAL DRAWN BY JR2D2 DATE 11/24/07 SCALE 1:10 CHECKED - DATE - SIZE B No. T08-0003 SHEET NO. 9 of 15	



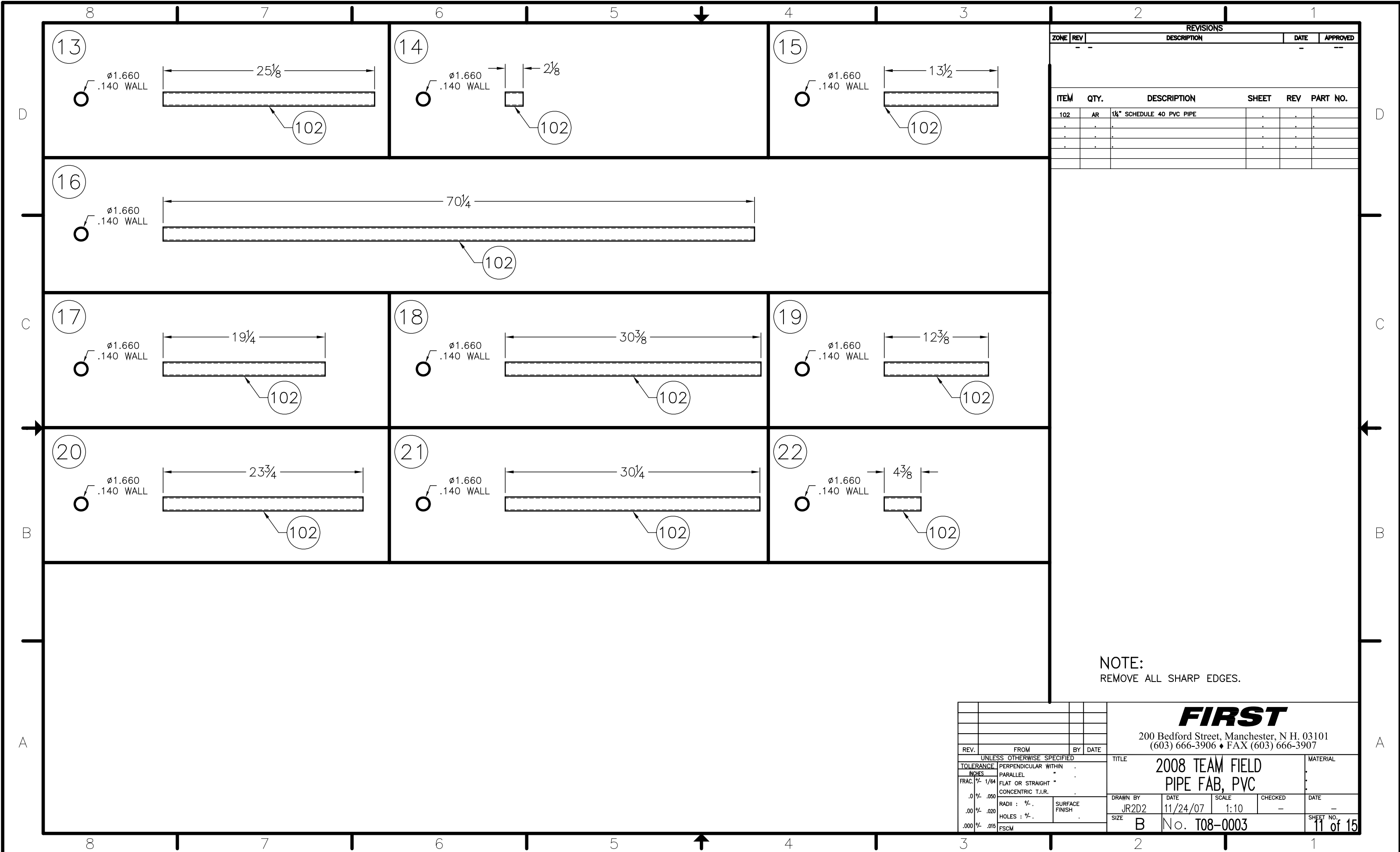
REVISIONS				
ZONE	REV	DESCRIPTION	DATE	APPROVED

ITEM	QTY.	DESCRIPTION	SHEET	REV	PART NO.
13	2	PIPE, DIVIDER SPACING	7	.	TO8-0003-13
14	1	PIPE, DIVIDER CAP	7	.	TO8-0003-14
15	1	PIPE, DIVIDER BOTTOM	7	.	TO8-0003-15
37	AR	ELBOW	15	.	TO8-0003-37
38	AR	TEE	15	.	TO8-0003-38
39	AR	CROSS	15	.	TO8-0003-39

NOTE:  
 REMOVE ALL SHARP EDGES.

UNLESS OTHERWISE SPECIFIED		TITLE		MATERIAL	
REV.	FROM	BY	DATE	2008 TEAM FIELD COLUMN ASSY'S	
TOLERANCE		PERPENDICULAR WITHIN		DRAWN BY	
INCHES		PARALLEL		JR2D2	
FRAC. 1/8		FLAT OR STRAIGHT		DATE	
.0		CONCENTRIC T.I.R.		11/24/07	
.00		RADIUS : 1/2		SCALE	
.000		HOLES : 1/2		1:10	
		SURFACE FINISH		CHECKED	
		FSCM		DATE	
				-	
		SIZE		SHEET NO.	
		B		10 of 15	
		No. T08-0003			



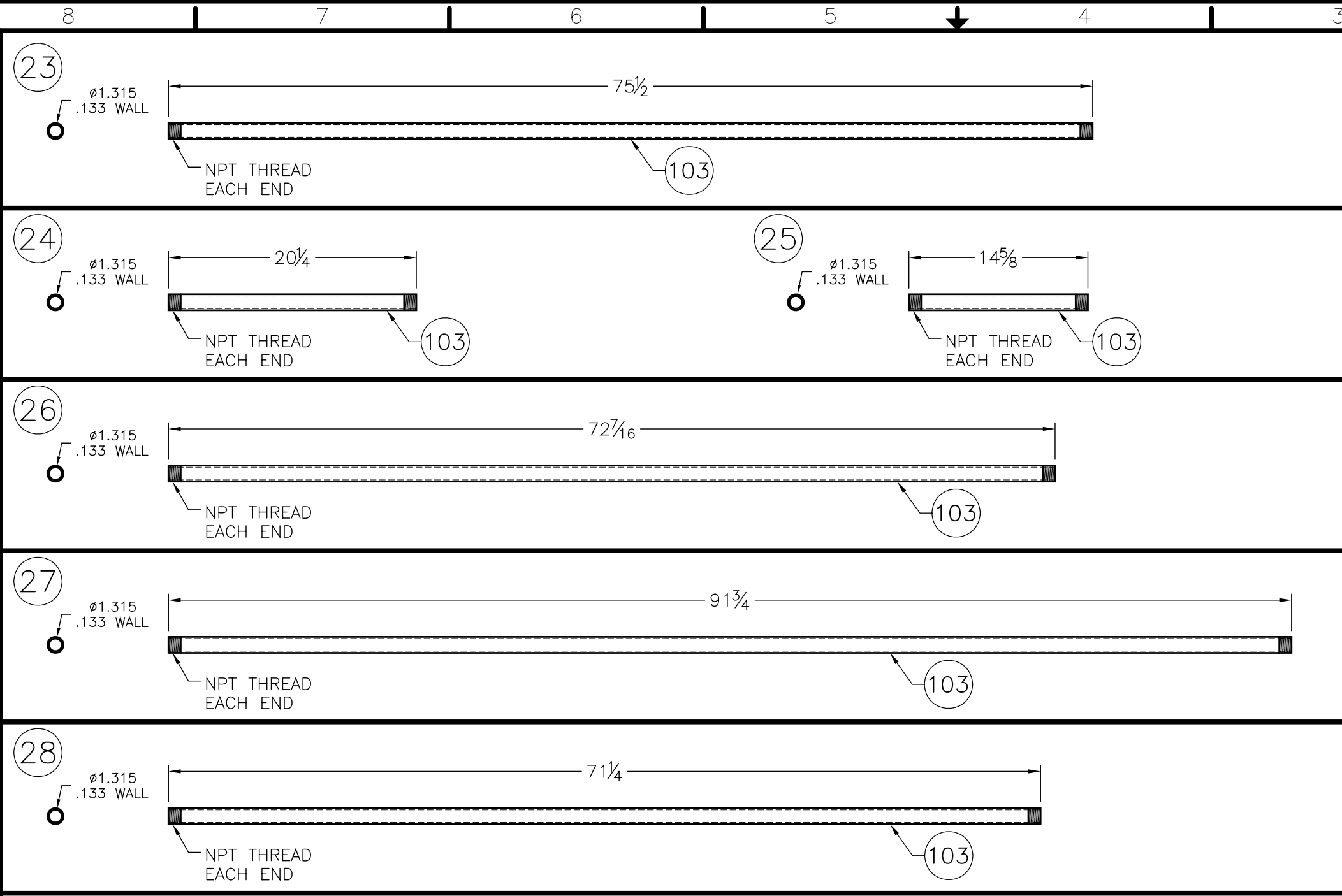
REVISIONS				
ZONE	REV	DESCRIPTION	DATE	APPROVED

ITEM	QTY.	DESCRIPTION	SHEET	REV	PART NO.
102	AR	1/2" SCHEDULE 40 PVC PIPE			

NOTE:  
REMOVE ALL SHARP EDGES.

REV.		FROM	BY	DATE	TITLE		MATERIAL
UNLESS OTHERWISE SPECIFIED					2008 TEAM FIELD PIPE FAB, PVC		
TOLERANCE		PERPENDICULAR WITHIN			DRAWN BY		DATE
					JR2D2		11/24/07
					SCALE		CHECKED
					1:10		
					DATE		
					SHEET NO.		11 of 15



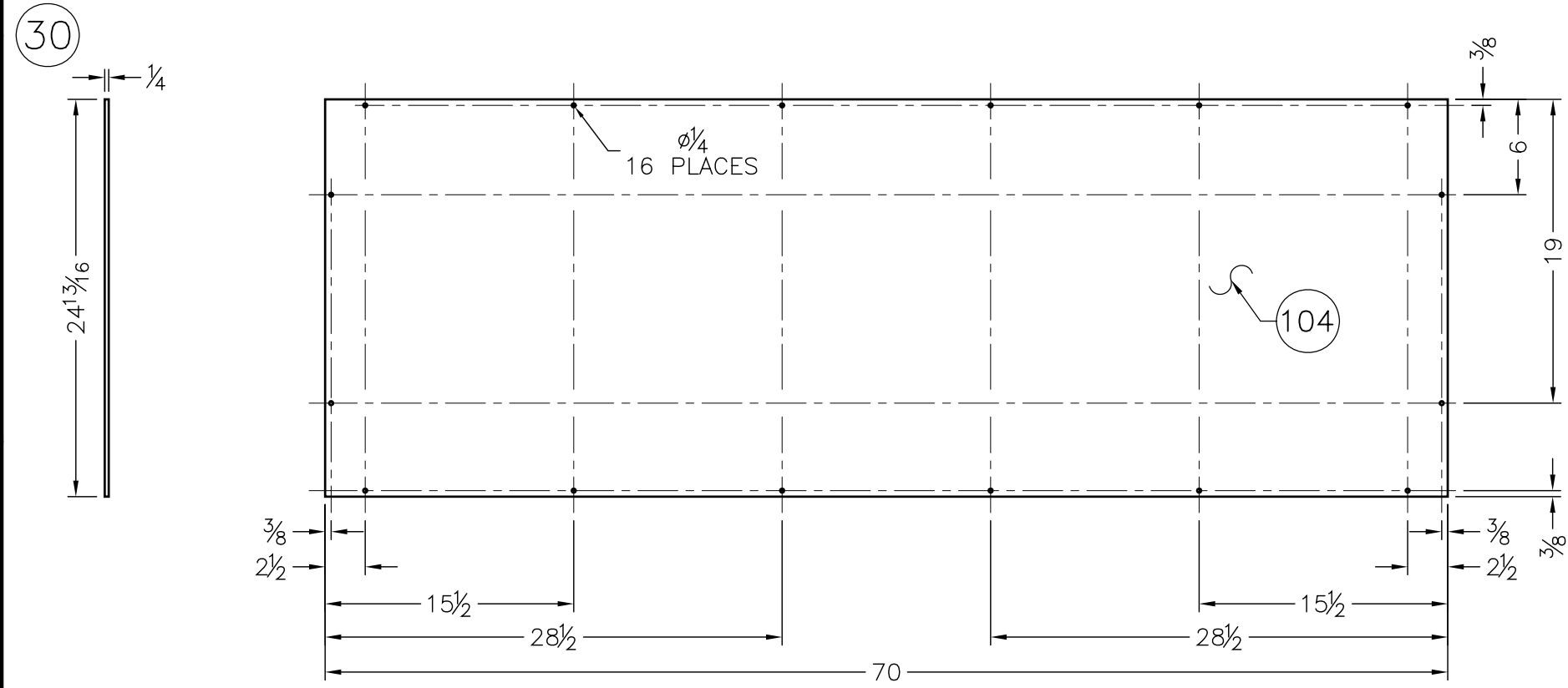
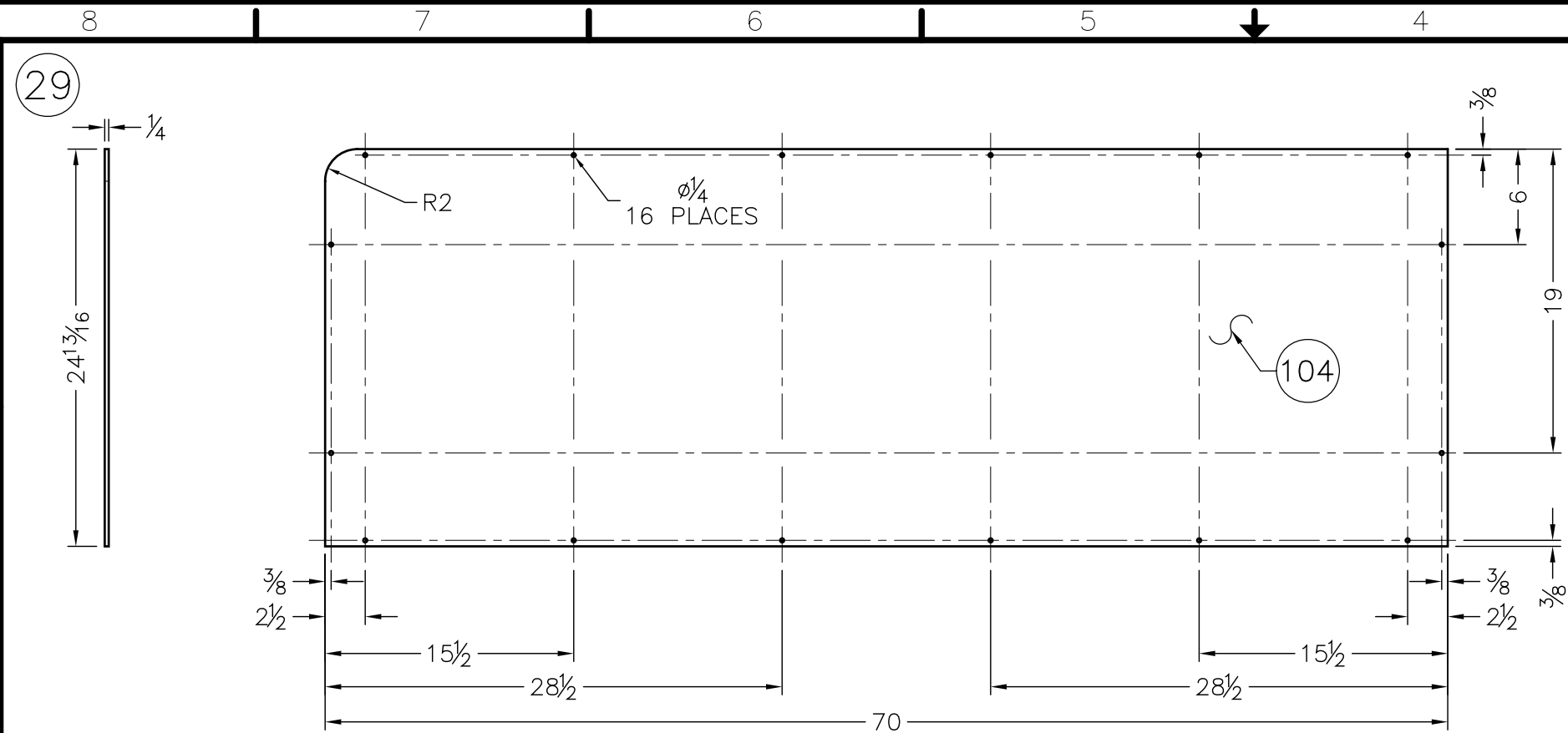
REVISIONS				
ZONE	REV	DESCRIPTION	DATE	APPROVED

ITEM	QTY.	DESCRIPTION	SHEET	REV	PART NO.
103	AR	1" SCHEDULE 40 BLACK IRON PIPE	.	.	.
.	.	.	.	.	.
.	.	.	.	.	.
.	.	.	.	.	.
.	.	.	.	.	.

NOTE:  
REMOVE ALL SHARP EDGES.

REV.		FROM	BY	DATE	TITLE		MATERIAL
UNLESS OTHERWISE SPECIFIED					2008 TEAM FIELD PIPE FAB, BLACK IRON		.
TOLERANCE		PERPENDICULAR WITHIN			DRAWN BY		DATE
INCHES		PARALLEL			JR2D2		11/24/07
FRAC. 1/8"		FLAT OR STRAIGHT			SCALE		CHECKED
.0		CONCENTRIC T.J.R.			1:10		-
.00		RADI: 1/8"		SURFACE FINISH		DATE	
.000		HOLES: 1/8"		FSCM		-	
					SIZE		SHEET NO.
					B		12 of 15
					No. T08-0003		



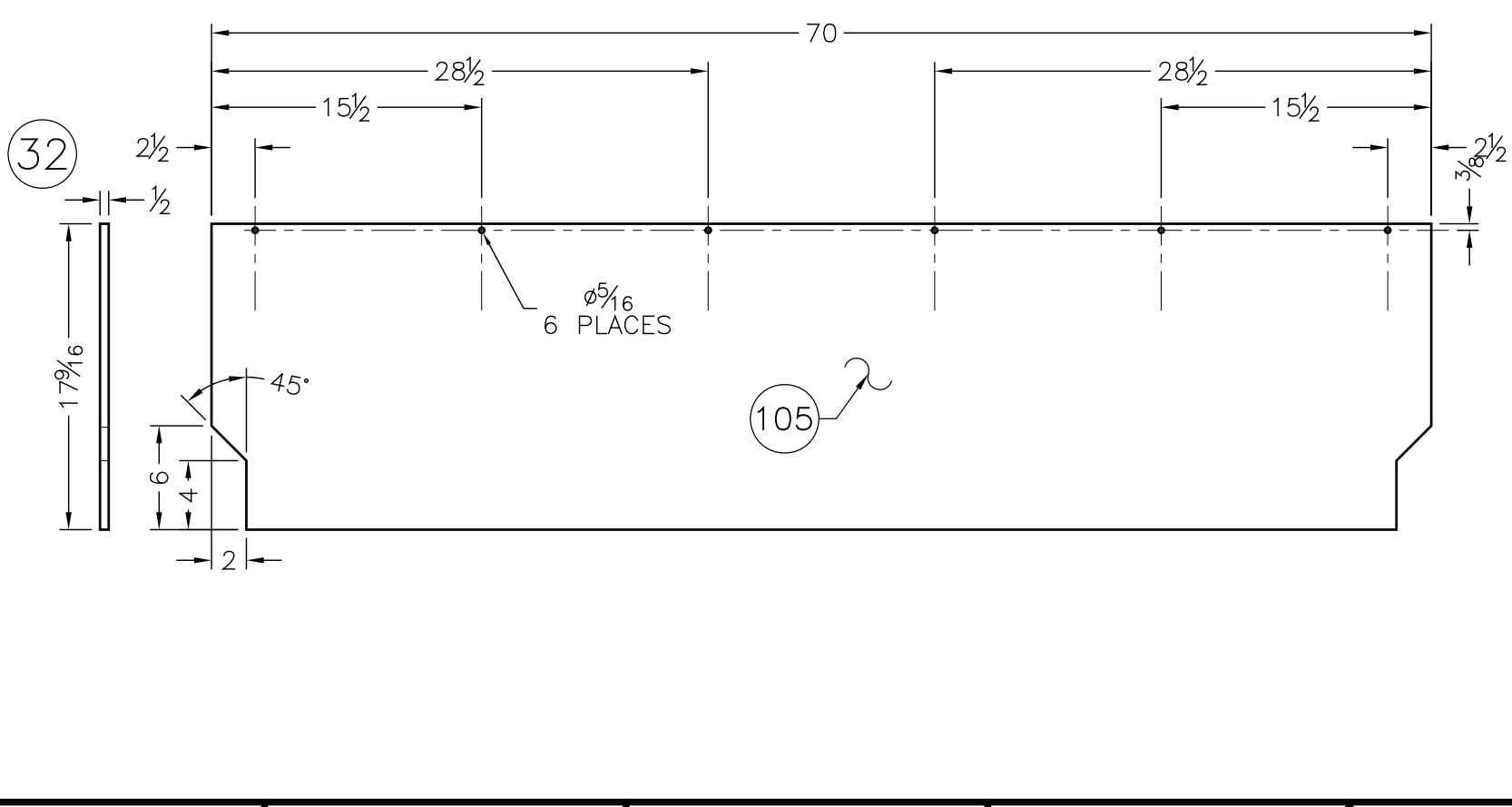
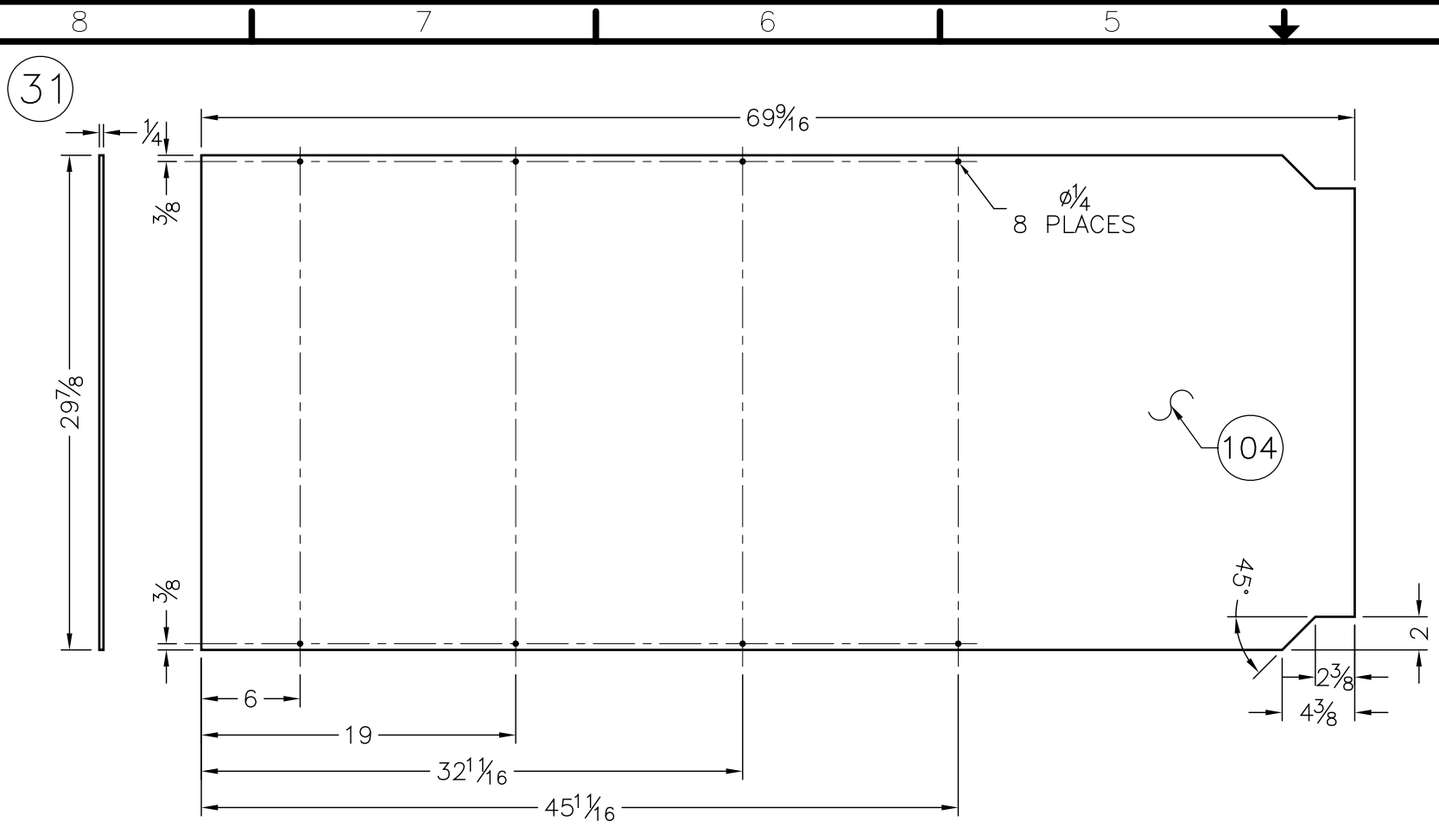
REVISIONS				
ZONE	REV	DESCRIPTION	DATE	APPROVED
	1	NOTE ADDED	11/27/07	--
	2	ADDED RADIUS DIM TO PART 29	12/24/07	--

ITEM	QTY.	DESCRIPTION	SHEET	REV	PART NO.
104	AR	1/4" POLYCARBONATE SHEET			

NOTES:  
ITEM 104 MAY BE REPLACED WITH PLYWOOD

NOTE:  
REMOVE ALL SHARP EDGES.

UNLESS OTHERWISE SPECIFIED		TITLE		MATERIAL	
TOLERANCE	PERPENDICULAR WITHIN	<b>FIRST</b> 200 Bedford Street, Manchester, N.H. 03101 (603) 666-3906 ♦ FAX (603) 666-3907		<b>2008 TEAM FIELD          PANEL FAB, DIVIDER (1)</b>	
INCHES	PARALLEL				
FRAC. 1/2	FLAT OR STRAIGHT				
	CONCENTRIC T.J.R.				
.0	RADI : 1/2	SURFACE FINISH	DRAWN BY	DATE	SCALE
.00	HOLES : 1/2		JR2D2	11/24/07	1:10
.000	FSCM		SIZE		CHECKED
			B		--
					DATE
					--
					SHEET NO.
					13 of 15



REVISIONS				
ZONE	REV	DESCRIPTION	DATE	APPROVED
	1	NOTE ADDED	11/27/07	--
	2	ADDED 6 HOLES TO PART 32	12/24/07	--

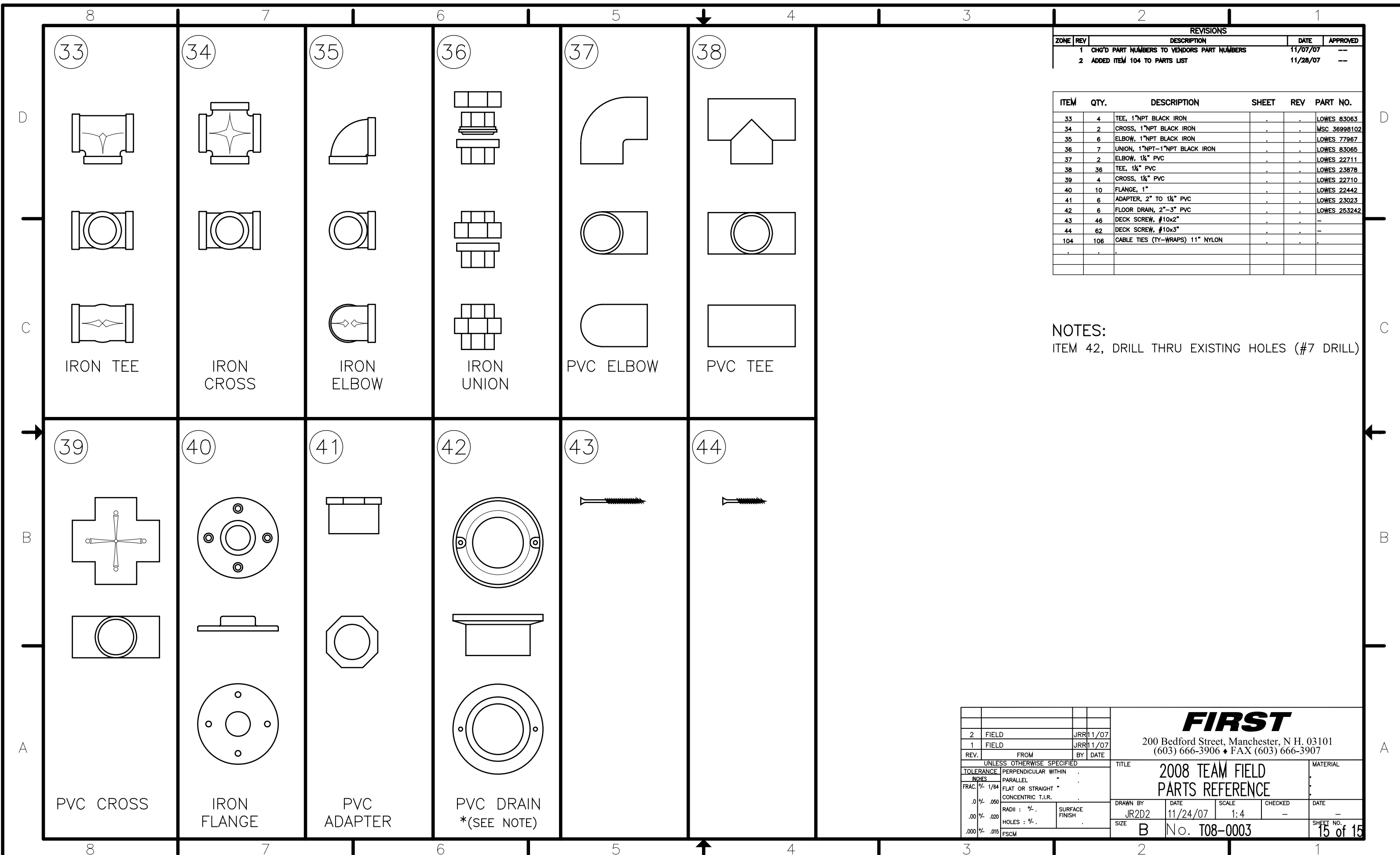
  

ITEM	QTY.	DESCRIPTION	SHEET	REV	PART NO.
104	AR	1/4" POLYCARBONATE SHEET	.	.	.
105	AR	5/16" POLYCARBONATE SHEET	.	.	.
.	.	.	.	.	.
.	.	.	.	.	.

NOTES:  
ITEMS 104, 105 MAY BE REPLACED WITH PLYWOOD

NOTE:  
REMOVE ALL SHARP EDGES.

2	FIELD	JR	12/07	<p><b>FIRST</b></p> <p>200 Bedford Street, Manchester, N.H. 03101 (603) 666-3906 ♦ FAX (603) 666-3907</p>	
1	FIELD	JR	11/07		
REV.	FROM	BY	DATE	TITLE	
UNLESS OTHERWISE SPECIFIED				2008 TEAM FIELD	
TOLERANCE PERPENDICULAR WITHIN				MATERIAL	
INCHES PARALLEL				.	
FRAC. 1/2 - 1/64 FLAT OR STRAIGHT				.	
CONCENTRIC T.I.R.				.	
RADI: ± .050				DRAWN BY	
.00 ± .020				JR2D2	
.000 ± .015 FSCM				DATE	
				11/24/07	
				SCALE	
				1:10	
				CHECKED	
				-	
				DATE	
				-	
				SIZE	
				B	
				No. T08-0003	
				SHEET NO.	
				14 of 15	



REVISIONS				
ZONE	REV	DESCRIPTION	DATE	APPROVED
	1	CHG'D PART NUMBERS TO VENDORS PART NUMBERS	11/07/07	---
	2	ADDED ITEM 104 TO PARTS LIST	11/28/07	---

ITEM	QTY.	DESCRIPTION	SHEET	REV	PART NO.
33	4	TEE, 1"NPT BLACK IRON	.	.	LOWES 83063
34	2	CROSS, 1"NPT BLACK IRON	.	.	MSC 36998102
35	6	ELBOW, 1"NPT BLACK IRON	.	.	LOWES 77967
36	7	UNION, 1"NPT-1"NPT BLACK IRON	.	.	LOWES 83065
37	2	ELBOW, 1/2" PVC	.	.	LOWES 22711
38	36	TEE, 1/2" PVC	.	.	LOWES 23878
39	4	CROSS, 1/2" PVC	.	.	LOWES 22710
40	10	FLANGE, 1"	.	.	LOWES 22442
41	6	ADAPTER, 2" TO 1/2" PVC	.	.	LOWES 23023
42	6	FLOOR DRAIN, 2"-3" PVC	.	.	LOWES 253242
43	46	DECK SCREW, #10x2"	.	.	--
44	62	DECK SCREW, #10x3"	.	.	--
104	106	CABLE TIES (TY-WRAPS) 11" NYLON	.	.	.

NOTES:  
ITEM 42, DRILL THRU EXISTING HOLES (#7 DRILL)

2		FIELD	JRR	11/07	<p><b>FIRST</b></p> <p>200 Bedford Street, Manchester, N H. 03101 (603) 666-3906 ♦ FAX (603) 666-3907</p>	
1		FIELD	JRR	11/07		
REV.	FROM	BY	DATE	TITLE		MATERIAL
UNLESS OTHERWISE SPECIFIED				2008 TEAM FIELD PARTS REFERENCE		
TOLERANCE		PERPENDICULAR WITHIN		DRAWN BY		DATE
INCHES		PARALLEL		JR2D2		11/24/07
FRAC. 1/2 - 1/64		FLAT OR STRAIGHT *		SCALE		CHECKED
.0		CONCENTRIC T.I.R.		1:4		---
.00		RADI: 1/2		DATE		---
.000		HOLES: 1/2		SIZE		---
		FSCM		B		No. T08-0003
						SHEET NO.
						15 of 15