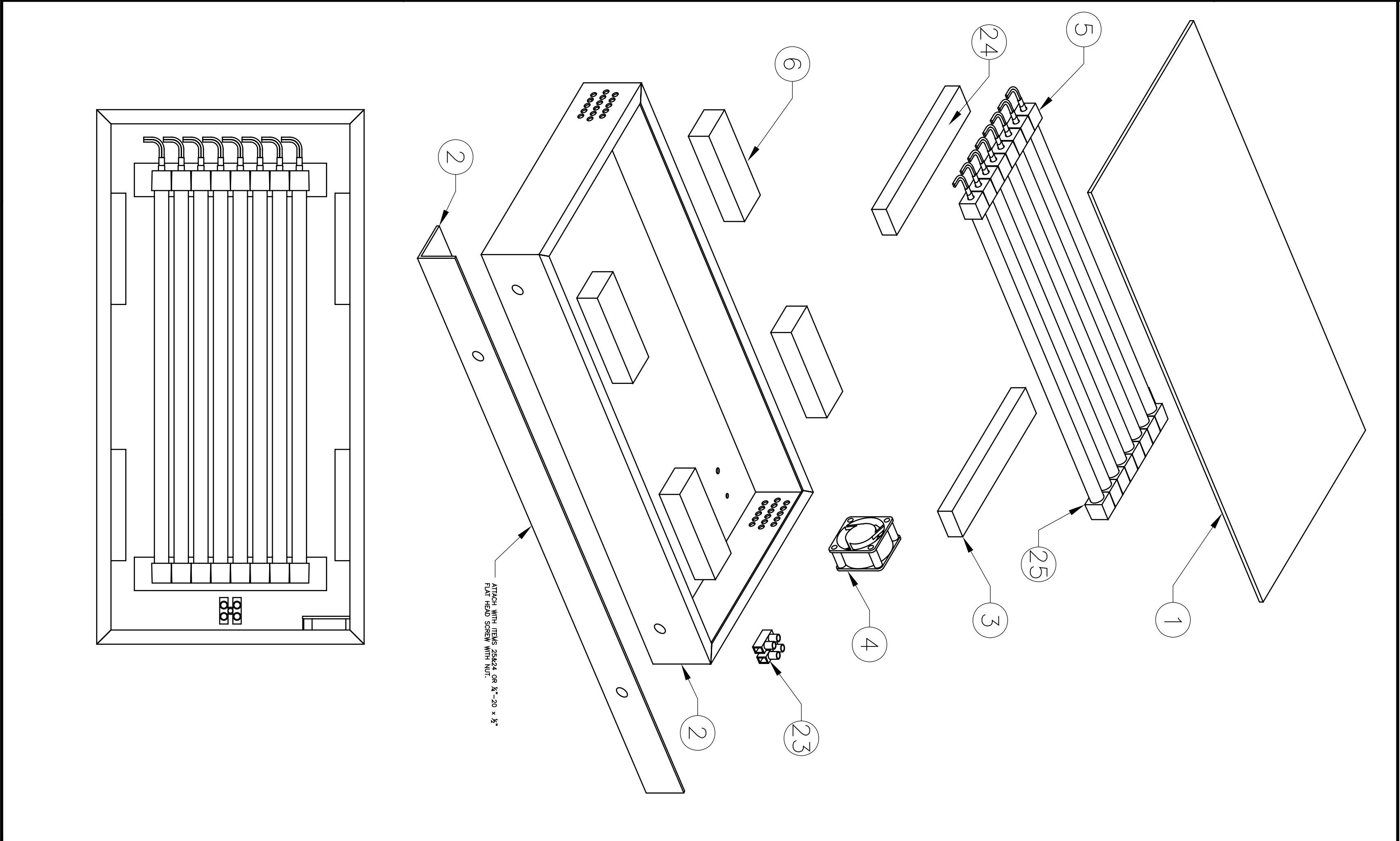
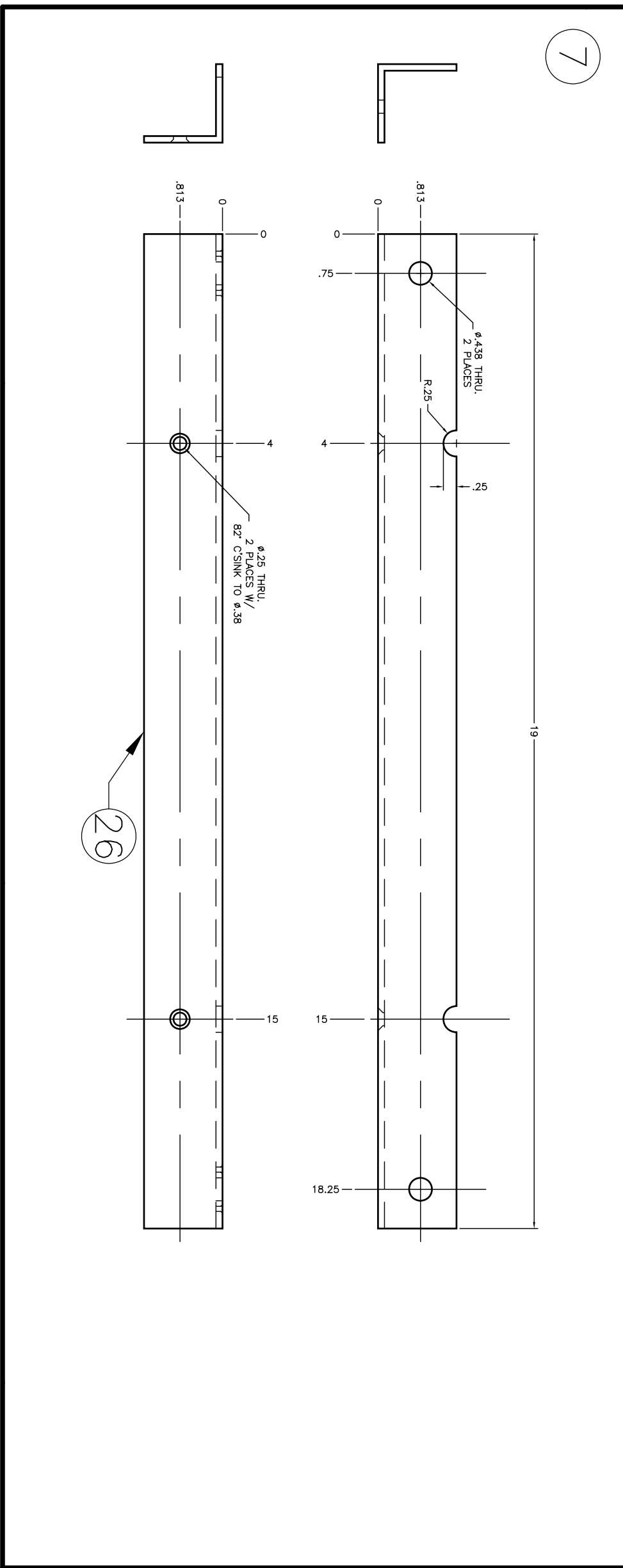
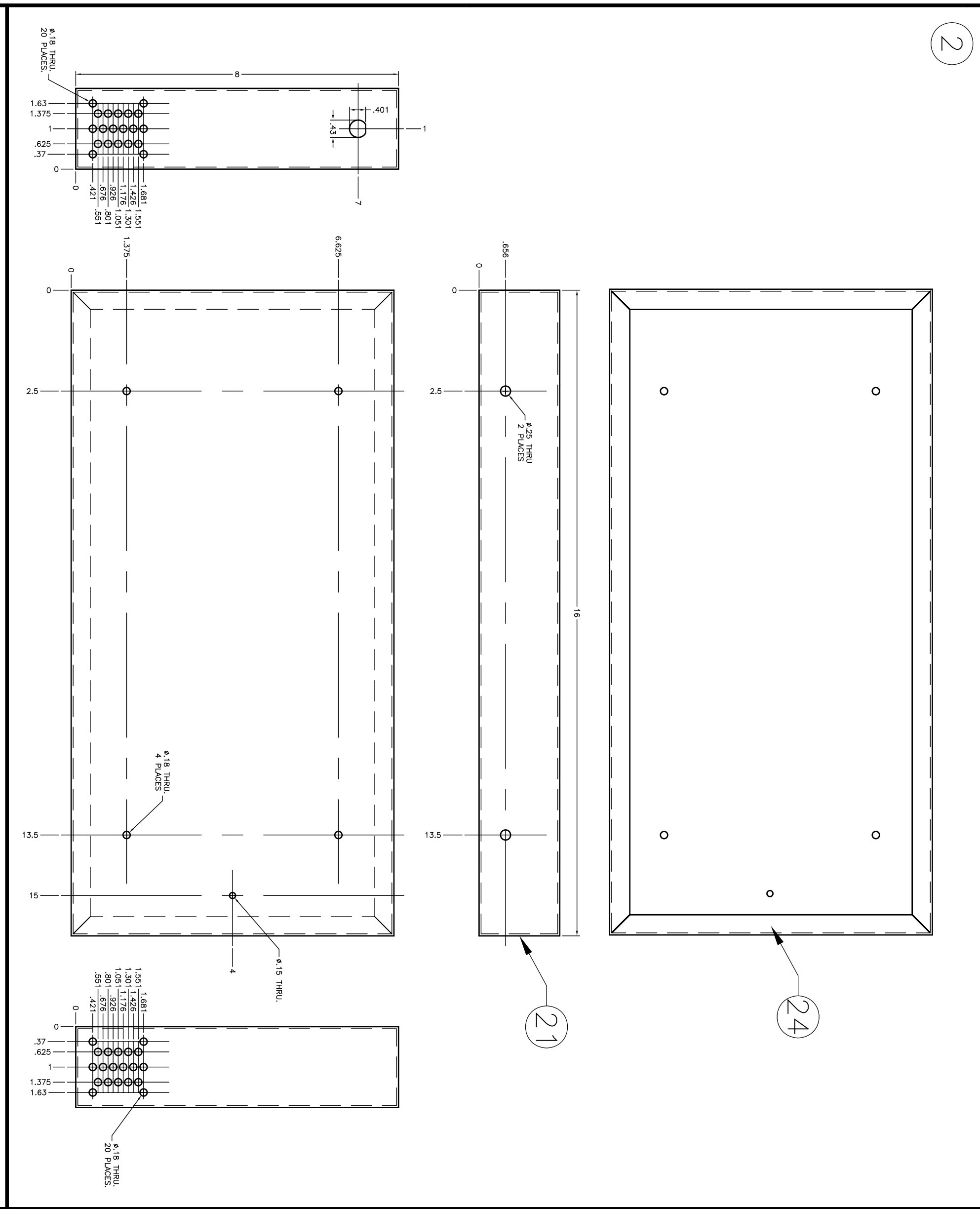
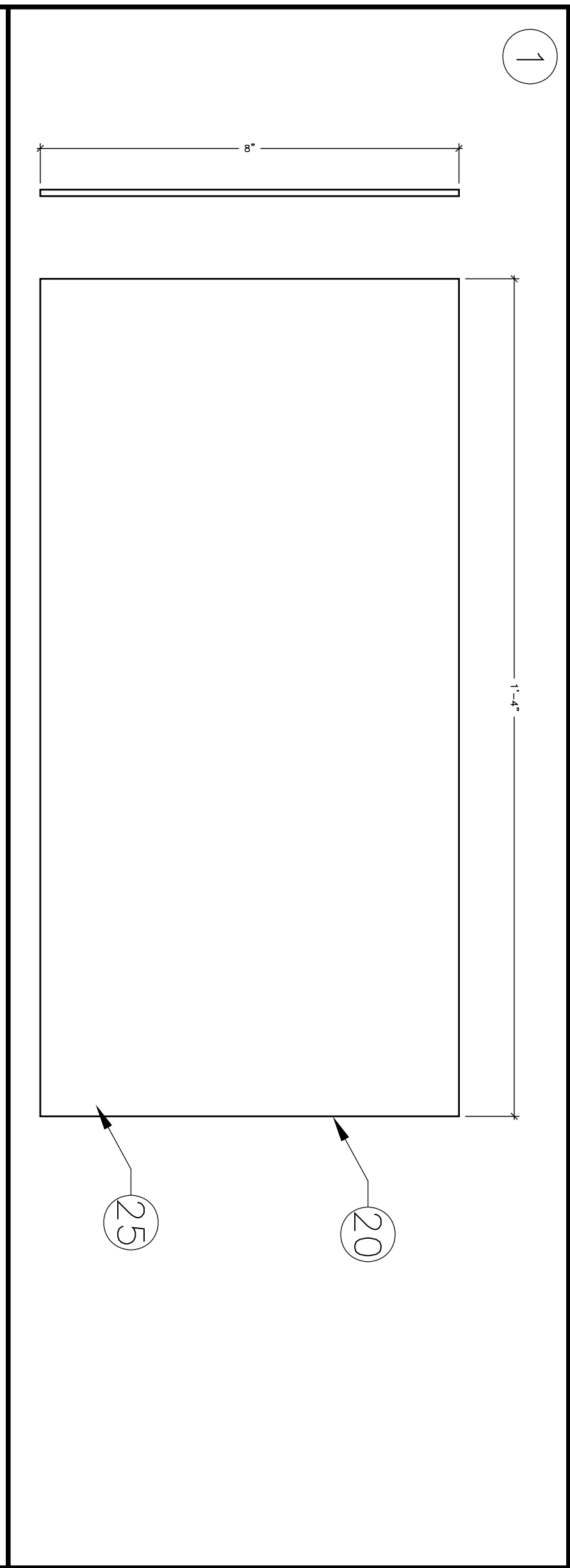
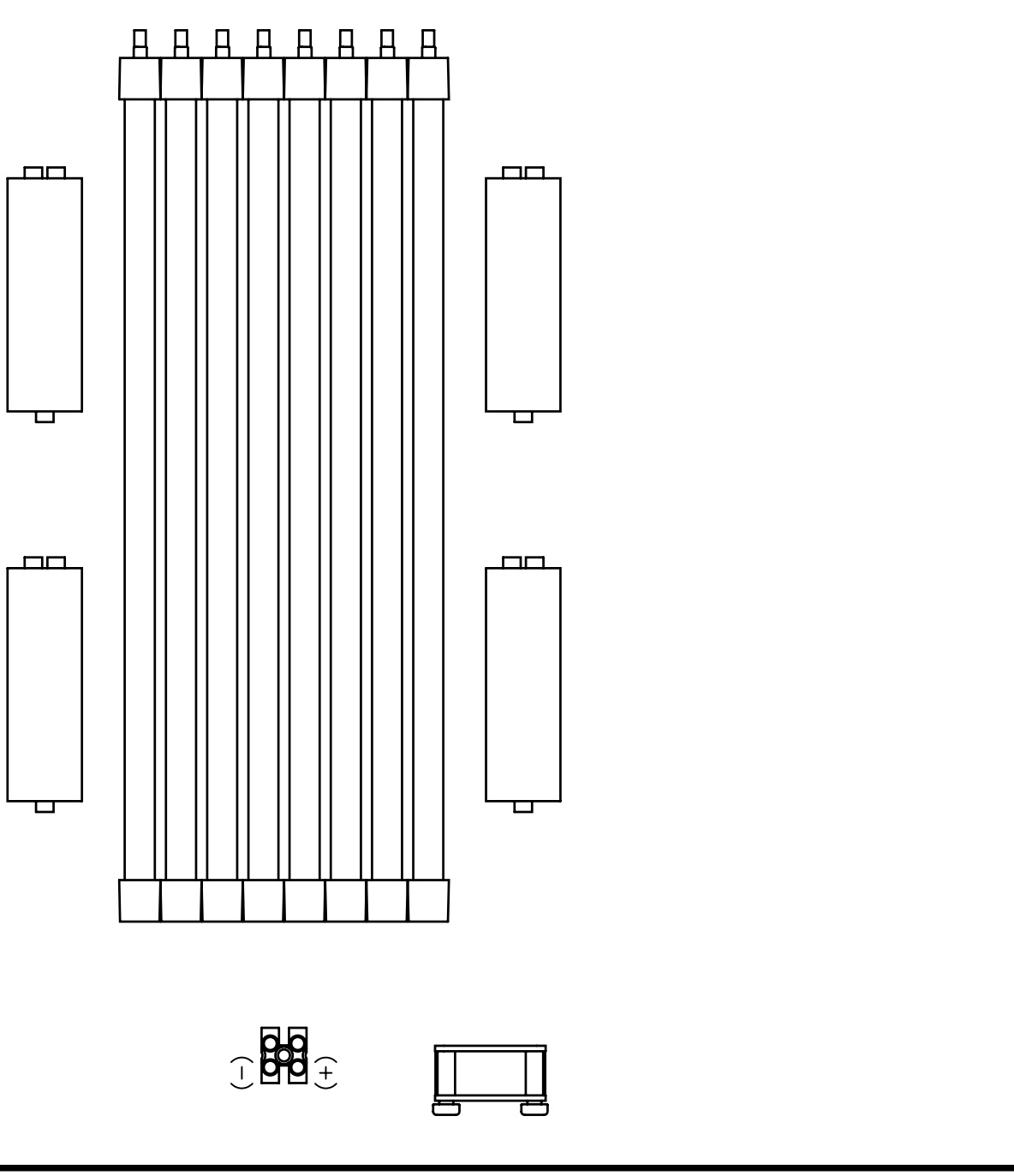


ZONE	REV	DESCRIPTION	DATE	APPROVED
1	1	CHANGED FIELD 22 MATERIAL FROM WOOD TO ALUMINUM	12/12/08	
	1	ADDED MOUNTING BRACKET AND WIRING DETAIL	12/07/08	



ITEM	QTY.	DESCRIPTION	LENGTH	PART NO.
1	1	DIFFUSER PANEL	.	T07-0202-01
2	1	ALUMINUM CHASSIS MOD	.	T07-0202-02
3	2	SPACER	.	T07-0202-03
4	1	FAN, 12Vdc, PABST TYPE 412	.	T07-0202-04
5	8	COLD CATHODE TUBE, GREEN 12"	.	T07-0202-05
6	4	TRANSFORMER, CCTFL	.	-
7	1	MOUNTING BRACKET	.	T07-0202-07
20	AR	1/8\"/>		
21	AR	ALUM CHASSIS, 8"x16"x2", (HAMMOND)	.	1444-26
22	AR	ALUMINUM BLOCK	.	-
23	AR	TERMINAL BLOCK	.	-
24	AR	1\"/>		
25	AR	1\"/>		
26	1	1 1/2"x1 1/2"x3/8\"/>		



NOTE:
 ALL PARTS EXCEPT THE FAN MAY BE MOUNTED USING VELCRO AS A FASTENER.
 THE COLD CATHODE TUBES COME SUPPLIED WITH VELCRO TYPE FASTENERS.
 THE FAN MAY BE MOUNTED USING 10-32x3/8" PAN HEAD SCREWS THREADED INTO THE FAN MOUNTING HOLES.

2		CHGD FOR 2007	JBR	12/06	
4		FIELD FROM	JBR	12/05	
TOLERANCE PERPENDICULAR WITHIN .0001"					
FINISH .0001" ± .001 FSCM					
TITLE			DATE		MATERIAL
2007 FIELD TARGET FABRICATION & ASSEMBLY			12/09/05		AS NOTED
DRAWN BY JBR			SCALE NA		CHECKED
DATE 12/09/05					DATE
SIZE D			No. 107-0202		SHEET NO.

FIRST

200 Bedford Street, Manchester, N.H. 03101
 (603) 666-3906 • FAX (603) 666-3907