



LW3367EN



knitting

What you will need:

RED HEART® Denver: 1 ball 00022 Baby Pink

Knitting Needles: 4mm [US 6]
Crochet hook: 3.5 mm [E-4]
Yarn needle, opening stitch markers, five 13 mm [$\frac{3}{8}$ "] buttons

TENSION/GAUGE: 24 sts = 10 cm [4"]; 32 rows = 10 cm [4"] in Lace Pattern. CHECK YOUR GAUGE. Use any size needles to obtain the gauge.



RED HEART® Denver, Art. 9809111 available in 200 g (7 oz), 600 m (656 yd) balls



Baby Girl's Sweater

Whether baby is going to town, to a party or just playing in the yard, this is the perfect knit sweater.

Directions are for ages 3-6months; changes for 12, 18 and 24 months are in parentheses

Chest, buttoned: 42 (45.5, 49, 52) cm [$16\frac{1}{2}$ (18, $19\frac{1}{2}$, $20\frac{1}{2}$)"]

Length: 23 (25, 27, 29) cm [$9\frac{3}{4}$, $10\frac{3}{4}$, $11\frac{1}{2}$ "]

Special Abbreviations

Rev St st (reverse stockinette stitch) = Purl on RS, knit on WS

Skp (slip, knit, pass) = Slip 1 knitwise, k1, pass slipped st over knit st

St st (stockinette stitch) = Knit on RS, purl on WS

STITCH PATTERN

Lace Pattern (multiple of 4)

Row 1 (RS): K2tog, yo, k2.

Row 2: P4.

Row 3: K2, yo, skp.

Row 4: P4.

Repeat Rows 1-4 for Lace Pattern.

SWEATER BACK

Cast on 50 (54, 58, 62) sts. Work in K1/P1 rib for 2 cm [$\frac{3}{4}$ "], ending with a WS row.

Establish pattern (RS): Work rev St st and Row 1 of lace panels as follows: K1 (edge st, keep in St st throughout), p2 (0, 2, 0), *p4, work Lace Panel over next 4 sts; repeat from * to last 7 (5, 7, 5) sts, p6 (4, 6, 4), k1 (edge st, keep in St st throughout).

Work even in established pattern until piece measures 14 (15, 16, 17) cm [$5\frac{1}{2}$ (6, $6\frac{1}{4}$, $6\frac{3}{4}$)"] from beginning, ending with a WS row.

Shape armholes: Cast off 1 st at beginning of next 8 rows – 42 (46, 50, 54) sts. Work even until armholes measure 8.5 (9.5, 10.5, 11.5) cm [$3\frac{1}{4}$ ($3\frac{3}{4}$, $4\frac{1}{4}$, $4\frac{1}{2}$)"], ending with a WS row.

Shape neck (RS): Work 10 (12, 14, 16), join second ball of yarn and cast off next 22 sts,

work to end – 10 (12, 14, 16) sts each side. Working both sides at once, work even until armholes measure 9 (10, 11, 12) cm [$3\frac{1}{2}$ (4, $4\frac{1}{4}$, $4\frac{3}{4}$)"]. Cast off remaining sts.

LEFT FRONT

Cast on 28 (30, 32, 34) sts.

Row 1 (RS): K2, *p1, k1; repeat from * across.

Row 2: *P1, k1; repeat from * to last 2 sts, p2. Work in established rib until piece measures 2 cm [$\frac{3}{4}$ "], ending with a WS row and increasing 1 st at end of last row – 29 (31, 33, 35) sts.

Row 1: establish pattern (RS): Work rev St st and Row 1 of lace panels as follows: K1 (edge st, keep in St st throughout), p2 (0, 2, 0), [work Lace Panel over next 4 sts, p4] 2 (3, 3, 3) times, [work Lace Panel over next 4 sts] 1 (0, 0, 1) times, [p1, k1] 2 times, p1.

Work in established pattern until piece measures same as Back to armhole, ending with a WS row.

Shape armhole (RS): Cast off 1 st at beginning of each RS row 4 times – 25 (27, 29, 31) sts. Work even until armhole measures 2 (3, 4, 5) cm [$\frac{3}{4}$ ($1\frac{1}{4}$, $1\frac{1}{2}$, 2)"], ending with a RS row.

Shape neck (WS): Cast off 5 sts at beginning of row, work to end – 20 (22, 24, 25) sts.

Dec row (RS): Work to 2 sts before last Lace Panel, p2tog, work in pattern to end. Repeat dec row every other row 9 more times – 10 (12, 14, 16) sts.

Work even until armholes measure same as back. Cast off.

Continued...



Please Note: Print this pattern using Landscape Orientation.

Find more ideas & inspiration: www.redheart.co.uk

©2012 Coats & Clark

RIGHT FRONT

Cast on 28 (30, 32, 34) sts.

Row 1 (RS): *K1, p1; repeat from * to last 2 sts, k2.

Row 2: P2, *k2, p21; repeat from * across.

Work in established rib until piece measures 1.5 cm [$\frac{1}{2}$ "], ending with a WS row

Buttonhole row (RS): K1, p1, yo, skp, work in pattern to end. Work 4 additional buttonholes 3.5 (4, 4.5, 5) cm apart.

Continue in established rib until piece measures 2 cm [$\frac{3}{4}$ "], ending with a WS row and increasing 1 st at end of last row – 29 (31, 33, 35) sts.

Establish pattern (RS): Work rev St st and

Row 1 of lace panels as follows: K1 (edge st, keep in St st throughout), [p1, k1] 2 times, p1, [Lace Panel over next 4 sts, p4] 2 (3, 3, 3) times, [Lace Panel over next 4 sts] 1 (0, 0, 1) times, p2 (0, 2, 0), k1 (edge st, keep in St st throughout).

Work in established pattern until piece measures same as Back to armhole, ending with a RS row.

Shape armhole (WS): Cast off 1 st at beginning of each WS row 4 times – 25 (27, 29, 31) sts. Work even until armhole measures 2 (3, 4, 5) cm [$\frac{3}{4}$ (1 $\frac{1}{4}$, 1 $\frac{1}{2}$, 2)"], ending with a WS row.

Shape neck (RS): Cast off 5 sts at beginning of row, work to end – 20 (22, 24, 25) sts.

Dec row (RS): Work to end of first Lace Panel, p2tog, work in pattern to end. Repeat dec row every other row 9 more times – 10 (12, 14, 16) sts.

Work even until armholes measure same as back. Cast off.

SLEEVES

Cast on 38 (42, 42, 44) sts. Work in K1/P1 rib for 2 cm [$\frac{3}{4}$ "], ending with a WS row.

Establish pattern (RS): Work rev St st and Row 1 of lace panels as follows: K1 (edge st, keep in St st throughout), p4 (2, 2, 3), [work Lace Panel across next 4 sts, p4 3 (4, 4, 4) times, work Lace Panel across next 4 sts, p 4 (2, 2, 3), k1 (edge st, keep in St st).

Continuing in established pattern and bringing new sts into rev St st, inc 1 st each side every 8 (8, 6, 6) rows 1 (3, 6, 8) times, then every 6 (6, 4, 4) rows 3 (1, 1, 0) time(s) – 46 (50, 56, 60) sts. Work even until piece measures 12 (14, 16, 18) cm [$4\frac{3}{4}$ (5 $\frac{1}{2}$, 6 $\frac{1}{4}$, 7)"] from beginning, ending with a WS row.

Shape cap: Cast off 1 st at beginning of next 6 rows – 40 (44, 50, 54) sts. Cast off remaining sts.

FINISHING

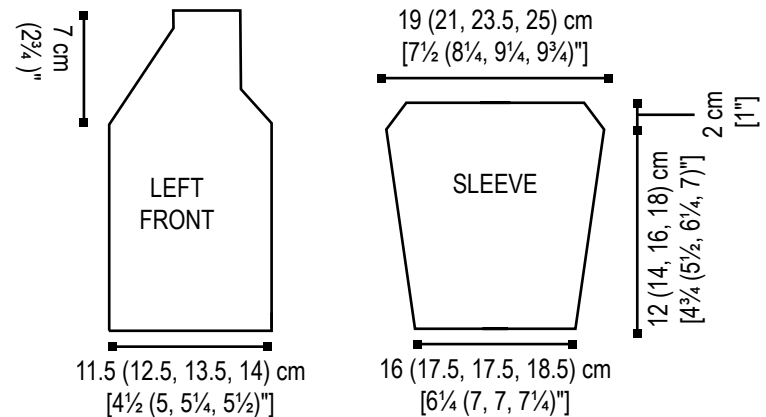
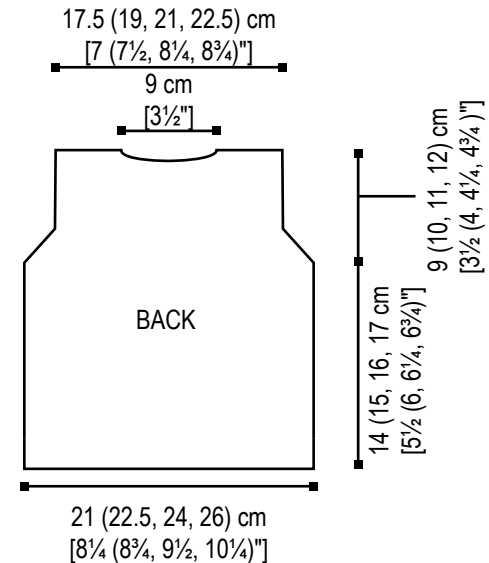
Block pieces. Sew shoulder seams. Set in sleeves. Sew side and sleeve seams.

Front bands

Row 1 (RS): With crochet hook, beginning at lower right front edge, work 1 row sc evenly spaced along right front, back neck and left front edges, turn.

Row 2 (WS): Ch 1, sc in next st, ch 3, slip st in 3rd ch from hook – picot made, skip 1 sc, sc in next st; repeat from * to end. Fasten off. Sew buttons opposite buttonholes.

Abbreviations: ch = chain; dec = decrease; k = knit; k2tog = knit next 2 sts together; mm = millimeters, p = purl; RS = right side; sc = single crochet; st(s) = stitch(es); St st = Stockinette stitch; WS = wrong side; yo = yarnover; * or ** = repeat whatever follows the * or ** as indicated.



Please Note: Print this pattern using Landscape Orientation.