



SINCE 1908
wessels
 company

SUBMITTAL

WVADN-HV-SERIES

DIRT SEPARATOR

Models: WVAD-2N-HV thru WVAD-12N-HV

Submittal Sheet No. D-1020A

Date: 4/16

Job Name _____	Submitted By _____	Date _____
Location _____	Approved By _____	Date _____
_____	Order No. _____	Date _____
Engineer _____	Notes _____	
Contractor _____		
Sales Rep. _____		

Description

Wessels WVADN-HV (High Velocity) series Dirt Separators are designed to separate debris associated with start-up and maintenance of any hydronic system. The design incorporates a skim valve for eliminating floating debris, removable end cover for coalescing medium access, and an air vent to automatically release air from the separator.

Construction

Shell: Carbon Steel
 Coalescing Medium: Stainless Steel
 Blow Down Valve (optional): Brass
 Skim Valve (optional): Brass
 Vent (optional): Cast Iron

Performance Limitations

Maximum Design Temperature: 250°F
 Maximum Design Pressure: 125 PSIG*

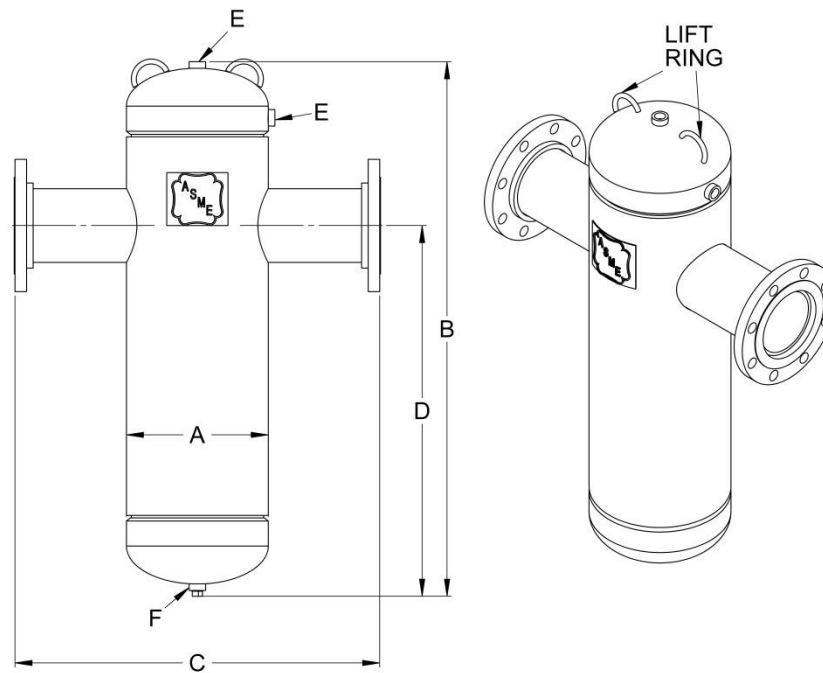
*200 & 250 PSIG available

Model Number	Part Number	Max Flow (GPM)	Tagging Information	Quantity
WVAD-2N-HV	72313001	105		
WVAD-2N-HV-NPT	72313013	105		
WVAD-2.5N-HV	72313037	155		
WVAD-2.5N-HV-NPT	72313049	155		
WVAD-3N-HV	72313073	225		
WVAD-3N-HV-NPT	72313085	225		
WVAD-4N-HV	72313109	405		
WVAD-4N-HV-NPT	72313121	405		
WVAD-5N-HV	72313122	630		
WVAD-6N-HV	72313123	910		
WVAD-8N-HV	72313124	1610		
WVAD-10N-HV	72313125	2450		
WVAD-12N-HV	72313126	3500		

Typical Specification

Furnish and install, as shown on plans, a WVAD _____-N-HV Dirt Separator as manufactured by Wessels Company. Each separator must be designed with a blow down valve, skim valve, and automatic air vent. The separator must also utilize in its design a stainless steel coalescing medium to aid in the separation of air and dirt in the system's entrained water. The separator must be constructed in accordance with most recent addendum of Section VIII Division 1 of the ASME Boiler and Pressure Vessel Code and shall be constructed and stamped for 125 PSI working pressure @ 250°F.

Each air separator shall be Wessels model number WVAD _____-N-HV or approved equal.



WVAD-2N-HV thru WVAD-12N-HV

Dimensions & Weights

Model Number	Dimensions in Inches							Approx Shipping Wt (lbs)			
	Connection Size	A	B	C	D	E	F				
WVAD-2N-HV	2	4	23	15 1/4	16 1/2	1/2	1/2	40			
WVAD-2N-HV-NPT				10 3/8				31			
WVAD-2.5N-HV	2.5	5		15 3/4				68			
WVAD-2.5N-HV-NPT				11				45			
WVAD-3N-HV	3	6	30	20 1/4	21			1/2	1/2	82	
WVAD-3N-HV-NPT				12 1/2						68	
WVAD-4N-HV	4	8		20 5/8						122	
WVAD-4N-HV-NPT				15						108	
WVAD-5N-HV	5	16	41	27 3/4	29 1/2	1/2	1/2			12	
WVAD-6N-HV	6	12		140							
WVAD-8N-HV	8	16	49	33 5/8	37 3/4					1	245
WVAD-10N-HV	10	20	60	37 1/2	46						407
WVAD-12N-HV	12	24	71	42 1/2	55			612			

Notes

- Trim package is optional.