

SINCE 1908
wessels
 company

SUBMITTAL

WVND-SERIES
 AIR & DIRT SEPARATOR

Models: WVND-2 thru WVND-12

Submittal Sheet No. D-1121B

Date: 4/16

Job Name _____	Submitted By _____	Date _____
Location _____	Approved By _____	Date _____
_____	Order No. _____	Date _____
Engineer _____	Notes _____	_____
Contractor _____	_____	_____
Sales Rep. _____	_____	_____

Description

Wessels WVND series Dirt Separators are designed to separate entrained debris associated with start-up and maintenance of any hydronic system. The design incorporates a skim valve that is for eliminating floating debris, and an air vent to automatically release air from the separator.

Construction

Shell: Carbon Steel
 Coalescing Medium: Stainless Steel
 Blow Down Valve (optional): Brass
 Skim Valve (optional): Brass
 Vent (optional): Cast Iron

Performance Limitations

Maximum Design Temperature: 250°F
 Maximum Design Pressure: 150 PSIG*

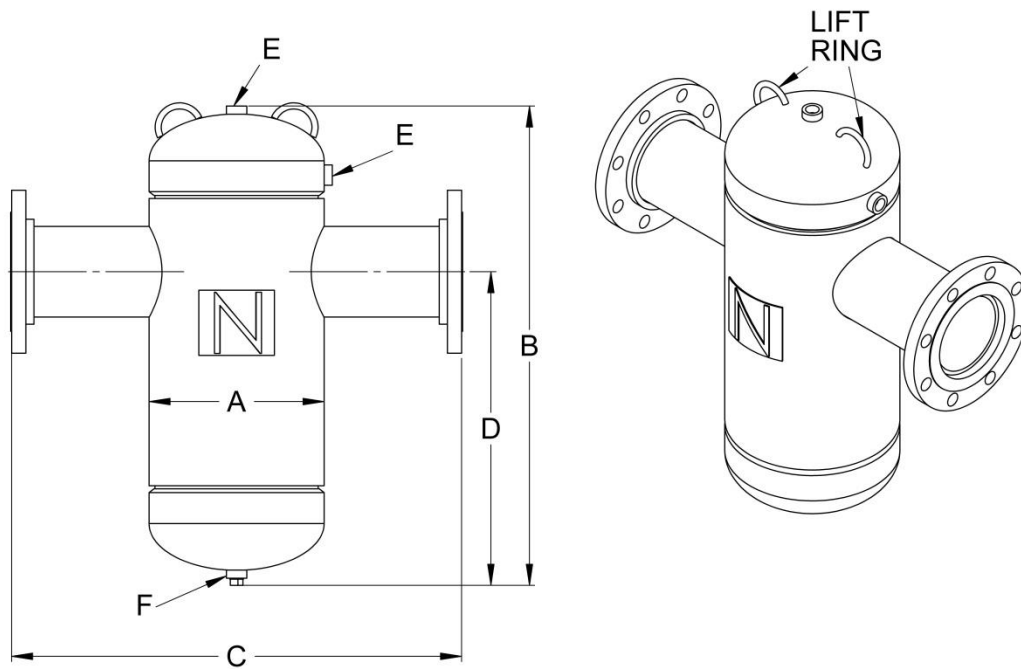
*200 & 250 PSIG available

Model Number	Part Number	Max Flow (GPM)	Tagging Information	Quantity
WVND-2	72316002	69		
WVND-2-NPT	72316014	69		
WVND-2.5	72316026	108		
WVND-2.5-NPT	72316038	108		
WVND-3	72316050	144		
WVND-3-NPT	72316062	144		
WVND-4	72316074	255		
WVND-4-NPT	72316086	255		
WVND-5	72316098	398		
WVND-6	72316110	570		
WVND-8	72316122	945		
WVND-10	72316134	1440		
WVND-12	72316146	2100		

Typical Specification

Furnish and install, as shown on plans, a WVND-_____ Dirt Separator as manufactured by Wessels Company. Each separator must be designed with a blow down valve, skim valve, and automatic air vent. The separator must also utilize in its design a stainless steel coalescing medium to aid in the separation of air and dirt in the system's entrained water. The separator shall be constructed and stamped for 150 PSI working pressure @ 250°F.

Each air separator shall be Wessels model number WVND-_____ or approved equal.



WVND-2 thru WVND-12

Dimensions & Weights

Model Number	Dimensions in Inches							Approx Shipping Wt (lbs)						
	Connection Size	A	B	C	D	E	F							
WVND-2	2	4	18 1/2	15 1/4	11 1/2	1/2	1/2	35						
WVND-2-NPT				10 3/8				26						
WVND-2.5	2.5	5		15 3/4				61						
WVND-2.5-NPT				11				38						
WVND-3	3	6	23	20 1/4	14 1/2			1/2	1/2	71				
WVND-3-NPT				12 1/2						56				
WVND-4	4	8		20 5/8						105				
WVND-4-NPT				15						91				
WVND-5	5	10	31	27 3/4	19 1/2					1/2	1/2	92		
WVND-6	6	12		129										
WVND-8	8	16	36	33 5/8	24 1/2							1	1	225
WVND-10	10	20	46	37 1/2	32 1/2									375
WVND-12	12	24	54	42 1/2	38	564								

Notes

- Trim package is optional.