



PARTS CATALOGUE

Series BMW E63/E64



BMW ALPINA B6 Coupé
BMW ALPINA B6 S Coupé
BMW ALPINA B6 Cabrio
BMW ALPINA B6 S Cabrio

The ALPINA parts catalogue is based on the BMW parts catalogue. Basic car for the BMW ALPINA B6 Coupé is the BMW 650i Coupé E63; for the BMW ALPINA B6 Cabrio the BMW 650i Cabrio E64.

Basic car for the BMW ALPINA B6 S Coupé is the BMW 650i Coupé E63 LCI (09/07 and up); for the BMW ALPINA B6 S Cabrio the BMW 650i Cabrio E64 LCI (09/07 and up).

Basic engine is the N62B44 from 645Ci.

Only ALPINA parts and not clear perceptible BMW parts which are different to the basic car are listed. For BMW parts the BMW parts catalogue has to be used.

The abbreviations used in several columns on the text lines have the following meanings:

1. Item column (POS): Picture number equal to the shown part, o.A. = not pictured
2. Description column
3. Part number column
4. Model column Coupé: wanted quantity; x = quantity is required
5. Model column Cabrio: wanted quantity; x = quantity is required
6. RL-column: RHD-vehicle
x = only for RHD-vehicle
7. Remarks column (REM): a, b, c, ... country specification, use from/ up to, other informations

A: Part number exchangeable with the one mentioned in the next line

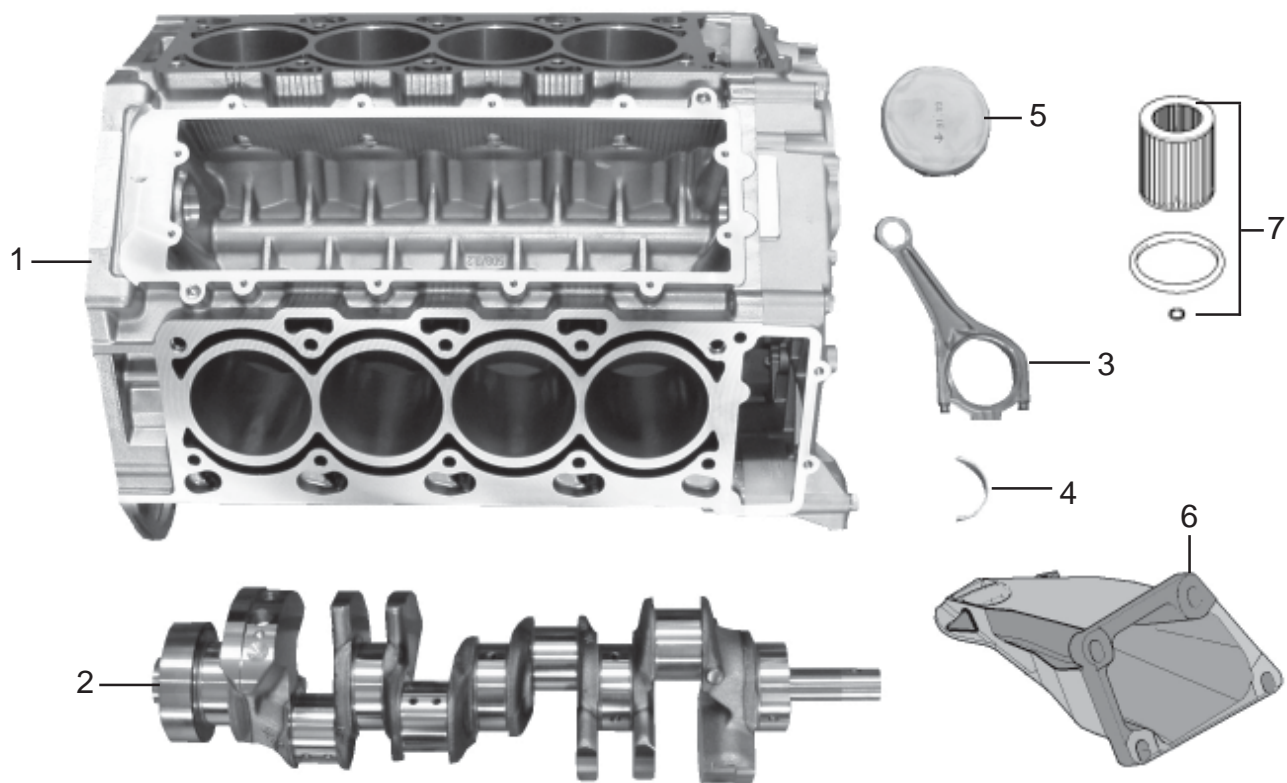
E: Part number is cancelled

W: Part number is used alternatively by the one standing either before it or afterwards (also marked with "W")

The illustrations in this catalogue do not correspond to the original size and shape!

Catalogue index:

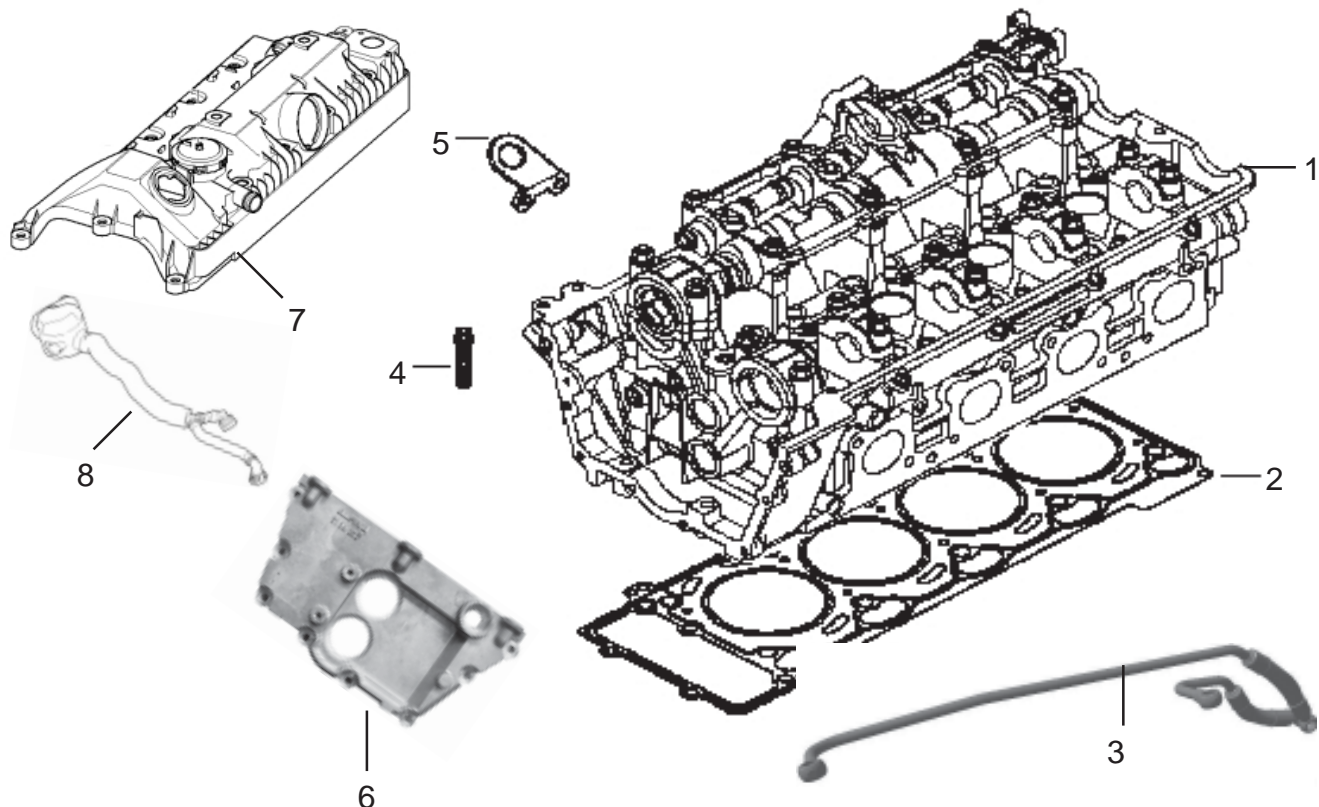
11	Engine	33	Rear axle
12	Engine electrical system	34	Brakes
13	Fuel preparation system	36	Wheels
16	Fuel supply	41	Body work
17	Cooling	51	Vehicle trim
18	Exhaus system	62	Cluster gauge
24	Automatic transmission	64	Air conditioning
31	Front axle	88	Information stickers/handbooks
32	Steering		



P O S	Description	Part number	B6 Coupé	B6 Cabrio	RL	R E M
1	Crankcase ø92,00mm	11 11 644	1	1		
2	Crankshaft H = 82,70mm	11 21 620	1	1		
3	Connecting rod	11 24 7 526 633	8	8		a
3	Connecting rod	11 24 7 544 525	8	8		b
4	Bearing shell red (Stange)	11 24 7 540 363	8	8		a
4	Bearing shell blue (Schale)	11 24 7 540 365	8	8		a
4	Bearing shell blue (Stange)	11 24 7 540 362	8	8		a
4	Bearing shell red (Schale)	11 24 7 540 366	8	8		a
4	Bearing shell blue (Stange)	11 24 029	8	8		b
4	Bearing shell red (Schale)	11 24 7 544 648	8	8		b
5	Piston (cyl.diam. 92,00mm)	11 25 839	8	8		
o.A.	set piston rings (Zyl.Maß 92,00mm)	11 25 846	1	1		
6	Engine supporting bracket, right	22 11 6 769 030	1	1		
7	Set oil filter element	11 42 7 511 161	1	1		

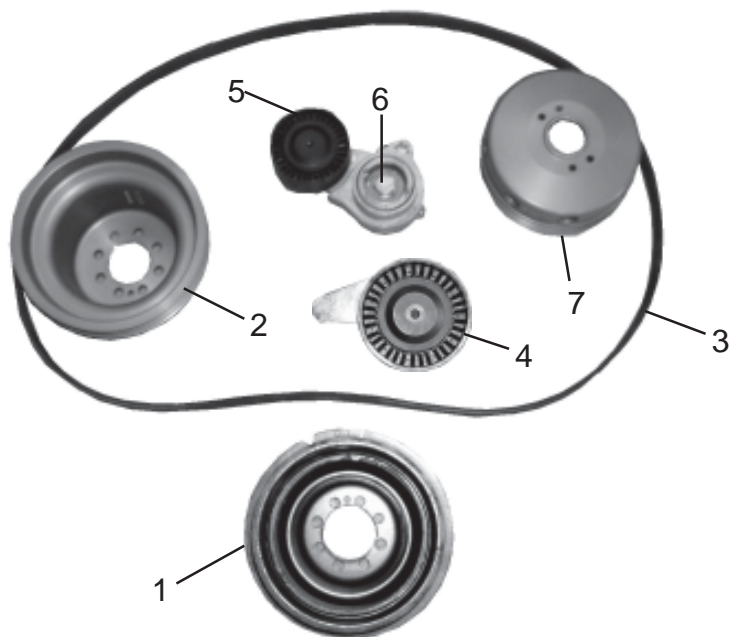
a) including engine number 18255

b) engine number 18256 and up

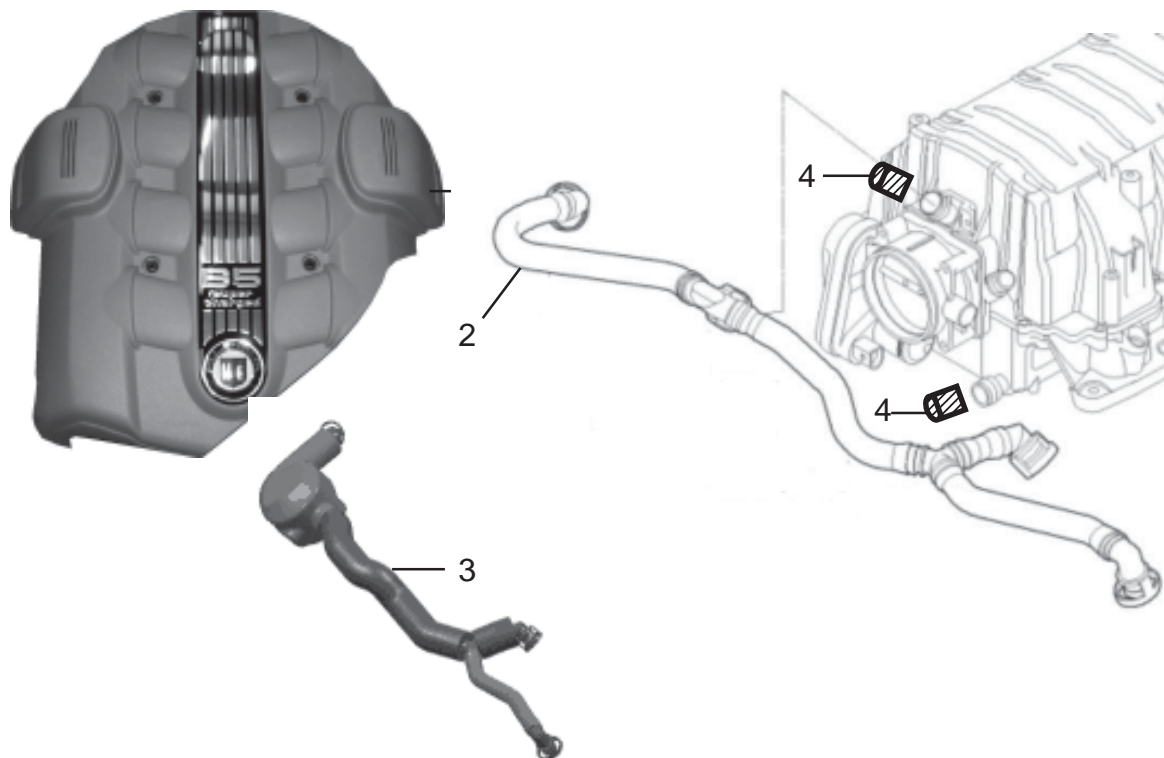


P O S	Description	Part number	B6 Coupé	B6 Cabrio	RL	R E M
1	Cylinderhead cyl. 1-4 right	11 12 661	1	1		
1	Cylinderhead cyl. 1-4 right	11 12 663	1	1	X	
1	Cylinderhead cyl 5-8 left	11 12 662	1	1		
2	Cylinderhead gasket	11 12 660	2	2		
3	Oil pipe	11 42 637	1	1		
o.A.	Inlet union screw M10x1	06 00 091	1	1		
o.A.	Sealing Cu 10x14	06 01 006	2	2		
4	Socket	11 42 638	1	1		
5	Bracket oil pipe	11 42 640	1	1		
o.A.	Clips	13 31 1 738 201	1	1		
6	Drive chain cover cyl. 5-8 left	11 14 617	1	1		
7	Cylinderhead cover cyl. 1-4	11 12 7 522 150	1	1		
7	Cylinderhead cover cyl. 1-4	11 12 7 563 474	1	1		a
8	Ventilation pipe	11 61 704	1	1		
8	Ventilation pipe	11 61 708	1	1		a

a) 03/07 and up (engine number 19027 and up)



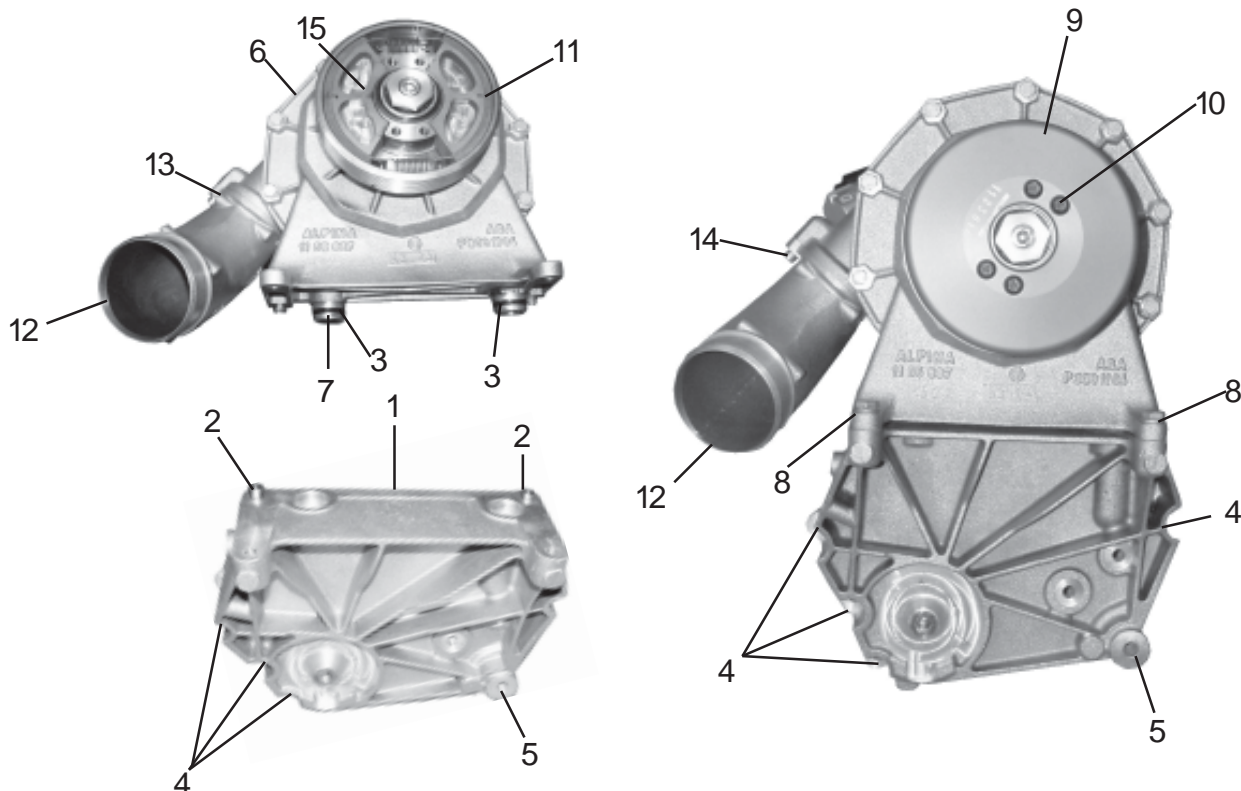
P O S	Description	Part number	B6 Coupé	B6 Cabrio	RL	R E M
1	Vibration dumper	11 23 617	1	1		
2	Pulley disc crankshaft	11 23 615	1	1		
o.A.	Hex bolt M8X30 for pulley	07 11 9 901 137	8	8		
3	V-belt 6PK x 1527	11 28 604	1	1		
4	Deflection pulley	11 28 7 515 280	1	1		
5	Belt tensioner	11 28 7 505 566	1	1		AE
5	Belt tensioner	11 28 605	1	1		
6	Hex bolt 10x50	07 11 9 903 230	1	1		
7	Pulley disc for radial compressor	11 23 618	1	1		
	Special tool for belt tensioner	74 00 643	1	1		



POS	Description	Part number	B6 Coupé	B6 Cabrio	RL	REM
1	Sound protection cap	11 61 679	1	1		
2	Vent pipe	11 61 704	1	1		a
3	Vent pipe	11 61 708	1	1		b
4	Plug NW15	11 61 703	2	2		

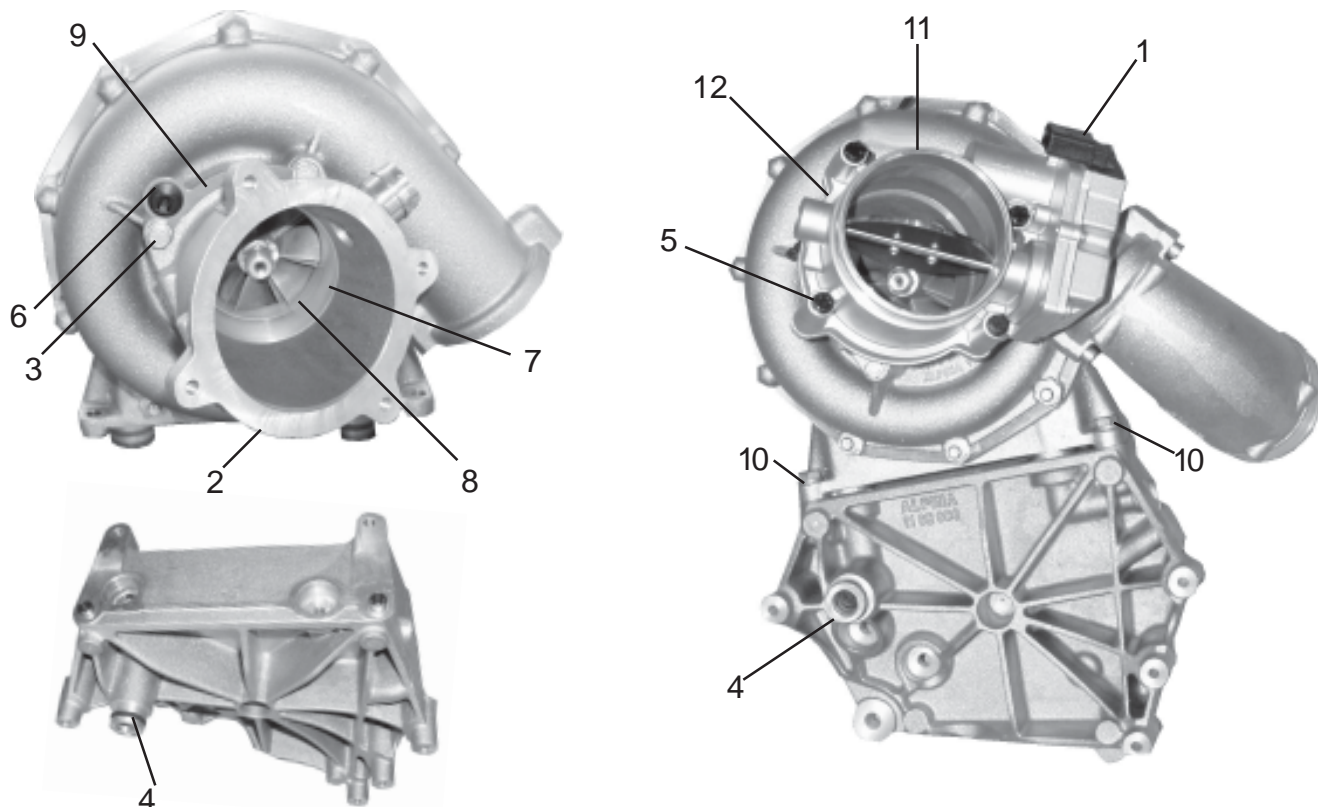
a) up to 09/07 (up to engine no. 19026) only with cover 11 12 7 522 150

b) 09/07 and up (engine no. 19027 and up) only with cover 11 12 7 536 474



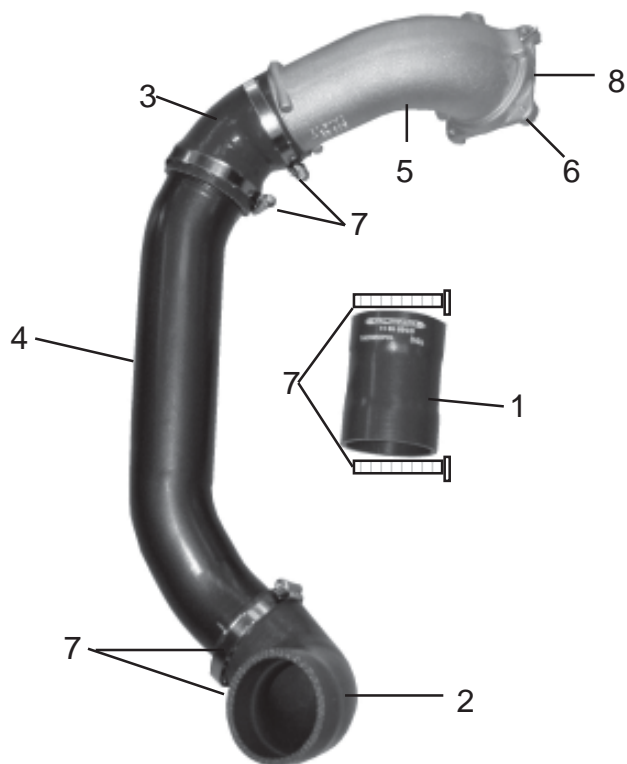
POS	Description	Part number	B6 Coupé	B6 Cabrio	RL	REM
1	Bracket radial compressor	11 65 698	1	1		
2	Dowel	11 12 1 726 238	2	2		a
3	Sealing	11 42 1 702 917	2	2		
4	Hex bolt M6x70 bracket-cylinder head	07 11 9 902 054	4	4		
5	Hex bolt M10x90 bracket-generator	07 11 080	1	1		
6	Radial compressor	11 65 701	1	1		AE
6	Radial compressor	11 65 751	1	1		
7	Reducing sleeve	11 42 639	1	1		a
8	Hex bolt M8x30 compressor-bracket	07 11 9 902 930	2	2		
9	Compressor pulley	11 23 618	1	1		
10	Hex bolt M6x20	11 12 1 736 602	4	4		b
11	Set centrifugal clutch with centrifugal weights	11 65 702	1	1		AE
11	Set centrifugal clutch with centrifugal weights	11 65 748	1	1		a
11	Repairset friction linings	11 65 719	1	1		AE
11	Repairset friction linings	11 65 749	1	1		a,c
12	Elbow manifold	11 65 696	1	1		
13	Sealing 59,99x2,62mm	11 65 691	1	1		a
14	Cheese head screw M6x25	07 11 9 919 625	2	2		
15	Spacer: observe fitting position "VORN"		1	1		AE
o.A.	Sealing 65x1,8mm	13 70 704	1	1		a
o.A.	Screw for compressor cover	41 61 8 256 854	4	4		a

a) included at Pos 6)
b) tightening torque: 9Nm
c) see ALPINA repair instructions 88 03 357

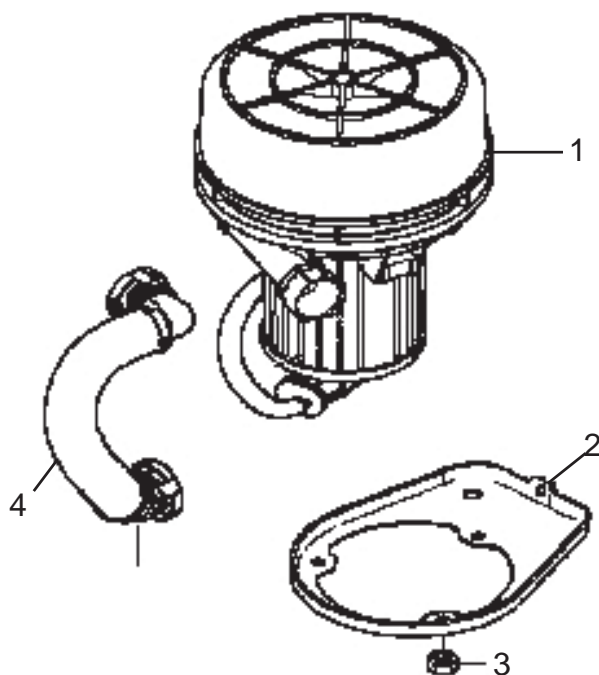


P O S	Description	Part number	B6 Coupé	B6 Cabrio	RL	R E M
1	Boost control element	13 54 651	1	1		AE
1	Boost control element	13 54 652	1	1		
2	Elbow manifold	13 70 700	1	1		a
3	Hex bolt M6x22	07 11 9 901 566	4	4		
4	Sealing	11 42 1 702 917	1	1		
5	Hex bolt M6x55	11 61 7 510 076	4	4		
6	Bracket boost control element	61 11 207	1	1		
o.A.	Cable strap with bracket	61 13 8 375 988	1	1		
7	Stator dummy	13 70 703	1	1		
8	Sealing 65,00x1,80mm	13 70 704	1	1		
9	Gasket D=79,5mm radial compr. - elbow	13 54 7 504 729	1	1		
10	Hex bolt M8x35	07 11 9 900 261	2	2		
11	Rubbering	13 70 727	1	1		
12	sealing boostocntr. - elbow element	13 54 7 510 433	1	1		

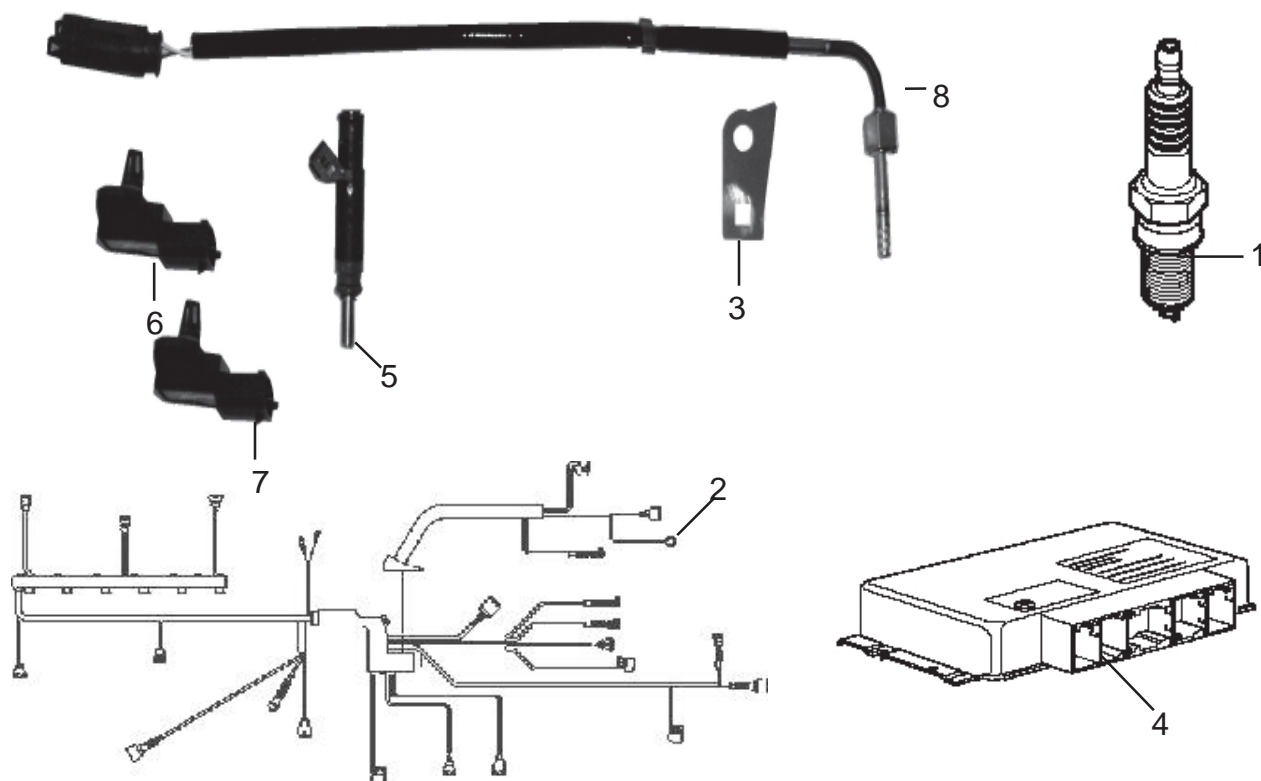
a) tightening torque: 9Nm



P O S	Description	Part number	B6 Coupé	B6 Cabrio	RL	R E M
1	Intercooler hose compressor-intercooler	11 65 694	1	1		AE
1	Intercooler hose compressor-intercooler	11 65 706	1	1		
2	Intercooler hose intercooler-throttle	11 65 681	1	1		AE
2	Intercooler hose intercooler-throttle	11 65 722	1	1		
3	Intercooler hose intercooler-throttle	11 65 684	1	1		AE
3	Intercooler hose intercooler-throttle	11 65 723	1	1		
4	Intercooler pipe intercooler-throttle	11 65 683	1	1		AE
4	Intercooler pipe intercooler-throttle	11 65 728	1	1		AE
4	Intercooler pipe intercooler-throttle	11 65 758	1	1		
5	Intercooler pipe intercooler-throttle	11 65 695	1	1		
6	Bolt with washer	07 11 9 901 962	4	4		
7	Hose clamp	07 40 095	6	6		
8	Sealing	13 71 1 747 985	1	1		



P O S	Description	Part number	B6 Coupé	B6 Cabrio	RL	R E M
1	Secondary air pump	11 72 7 514 953	1	1		
2	Bracket	11 72 615	1	1		
3	Nut M6	07 11 9 900 398	3	3		
4	Secondary air hose	11 72 618	1	1		
o.A.	Electronic valve flue gas damper	11 74 1 742 712	1	1		
o.A.	Under pressur hose	11 72 116	1	1		

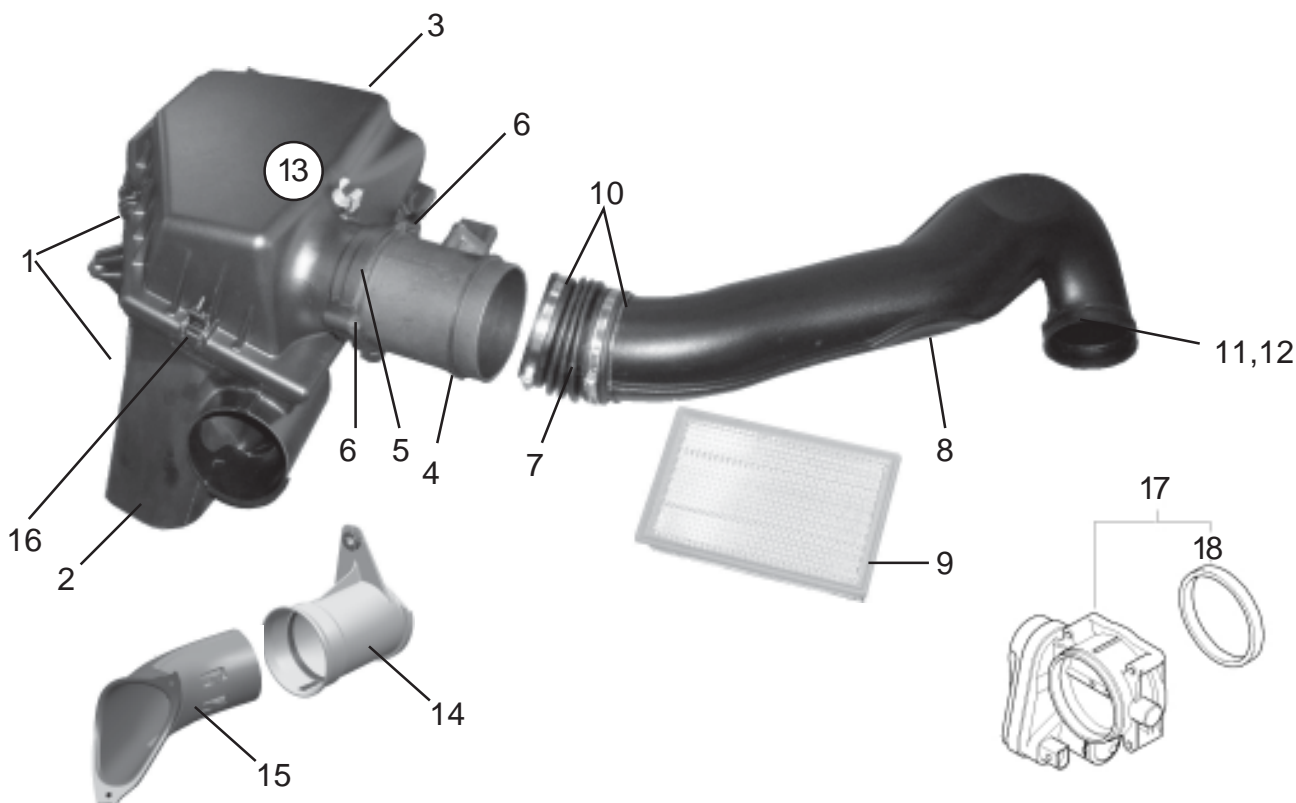


P O S	Description	Part number	B6 Coupé	B6 Cabrio	RL	R E M
1	Set spark plugs NGK PFR 7B please order sealing for spark plug replacement	12 10 044	8	8		c
2	Cable harness engine	13 70 704	1	1		
2	Cable harness engine	61 11 219	1	1		
2	Cable harness engine	61 11 220	1	1	1	
2	Cable harness engine	61 11 225	1	1		a
2	Cable harness engine	61 11 226	1	1	1	a
3	Bracket exhaust gas temperatur sensor left	61 11 217	1	1		
3	Bracket exhaust gas temperatur sensor right	61 11 218	1	1		
4	Control unit Motronic ME9.2.1	13 57 661	1	1		
4	Control unit Motronic ME9.2.2	13 57 665	1	1		a
4	Control unit Motronic ME9.2.1	13 57 662	1	1	1	b
5	Injection valve	13 53 610	8	8		
6	Pressure/temperatur sensor	13 62 603	1	1		
7	Boost pressure/differential pressur sensor	13 62 604	1	1		
8	Exhaust gas temperatur sensor	11 78 7 836 452	2	2		

a) 09/07 and up

b) only GB LA 812

c) 8x spark plug 12 10 043, set label oilfilter 11 42 012, sealing 13 54 7 504 729

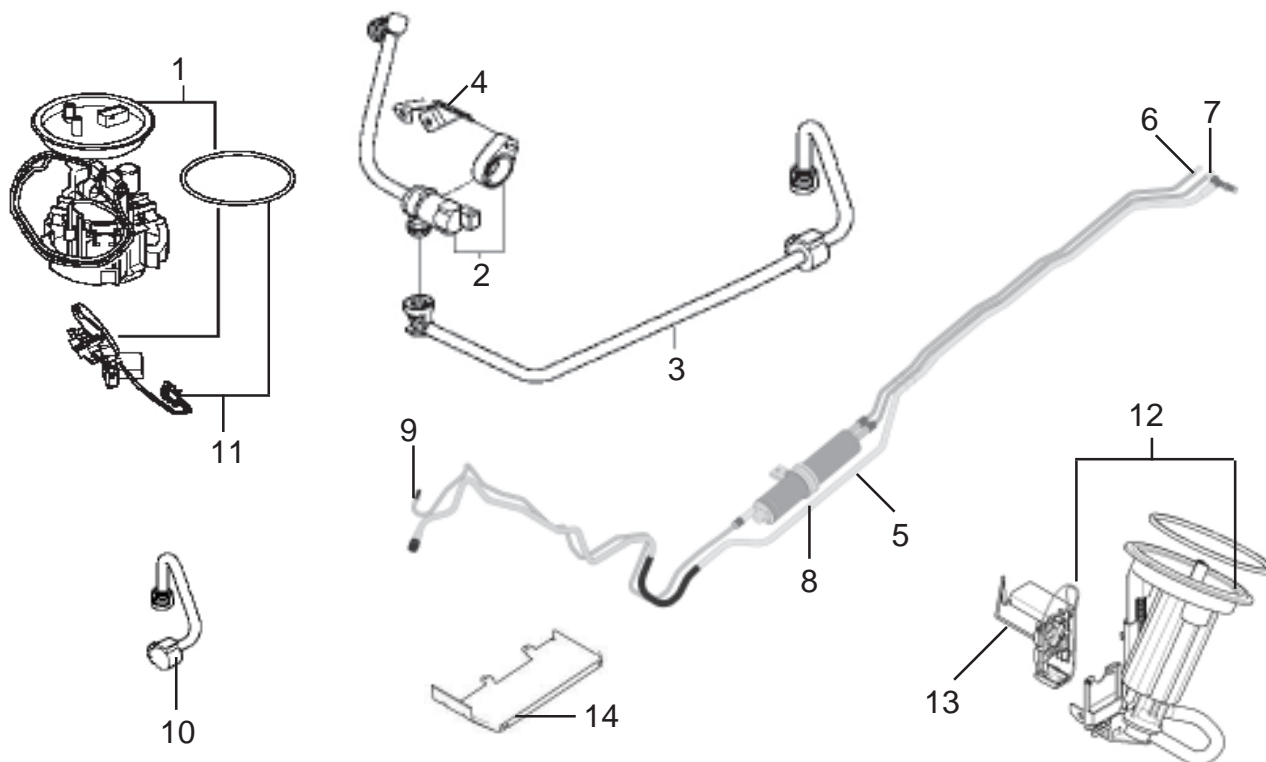


POS	Description	Part number	B6 Coupé	B6 Cabrio	RL	REM
1	Air-cleaner housing (w/o air-mass sensor)	13 70 709	1	1		
2	Intake silencer	13 70 711	1	1		a
3	Intake silencer cover	13 70 710	1	1		a
4	Hot-film air-mass sensor	13 62 600	1	1		
5	Sealing 98x6mm	13 70 702	1	1		
6	Screw	13 71 1 715 678	2	2		
7	Rubberbellows	13 70 698	1	1		
8	Pipe	13 70 726	1	1		AE
8	Pipe	13 70 728	1	1		
9	Air cleaner element	13 71 7 793 647	1	1		a
10	Hose clamp 90-110mm	07 40 066	2	2		
11	Hose clamp	07 40 077	2	2		bc
12	Sealing	13 70 727	1	1		c
13	Cable clamp	12 52 1 732 530	1	1		a
14	Intake duct	13 70 721	1	1		
15	Intake snorkel	13 70 722	1	1		
16	Tensioner	13 71 9 071 752	4	4		a
17	Throttle housing	13 54 7 506 627	1	1		
18	Sealing	13 71 1 510 433	1	1		

a) included at Pos. 1

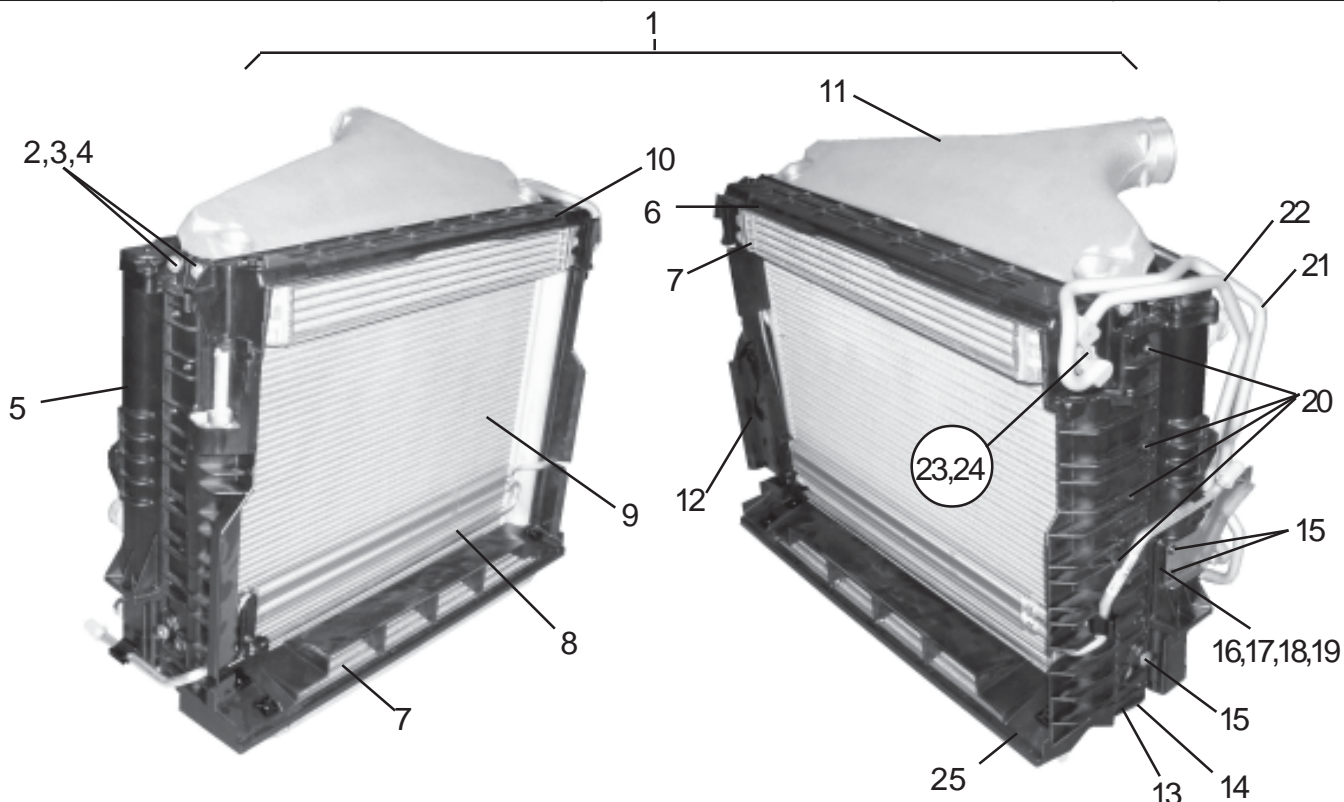
c) only in combination with pos. 8

b) Attention: Tightening torque **1 Nm+- 0,5 Nm!**



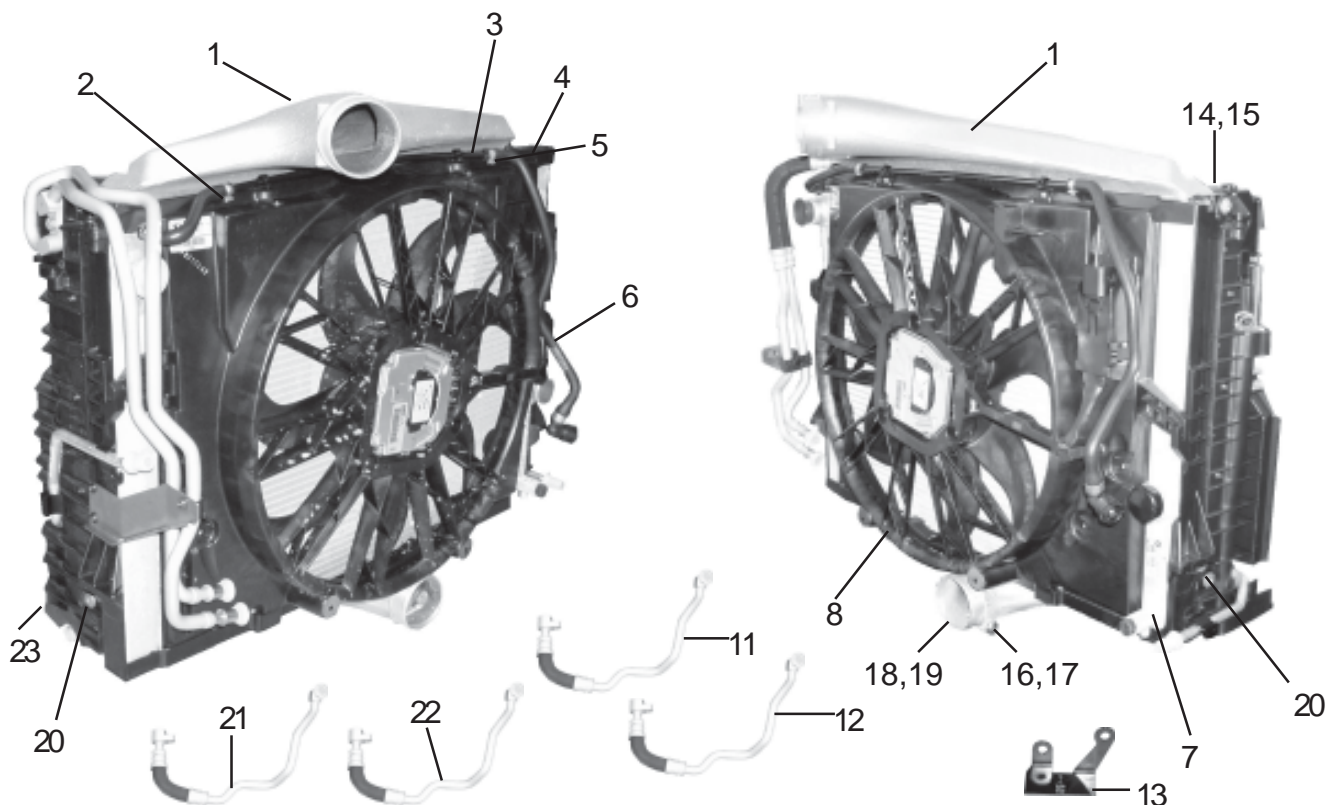
POS	Description	Part number	B6 Coupé	B6 Cabrio	RL	REM
1	Delivery unit with in-tank pump, right	16 14 6 766150	1	1		
2	Tank breather valve	13 90 601	1	1		AE
2	Tank breather valve	13 90 616	1	1		
3	Tank breather pipe	13 90 608	1	1		
4	Bracket tank breather valve	13 90 603	1	1		
5	Fuel filter with pressure regulator	16 10 669	1	1		
6	Fuel pipe (return flow)	16 10 683	1	1		
7	Return pipe	16 10 684	1	1		
8	Purge pipe	13 90 609	1	1		
8	Purge pipe	13 90 611	1	1		a
9	Fuel pipe front	16 10 685	1	1		
9	Fuel pipe front	16 10 685	1	1		a
10	Fuel pipe (return flow tank)	16 10 672	1	1		
11	Right fuel level sensor	16 14 6 765 824	1	1		
12	Delivery unit with fuel level sensor left	16 10 679	1	1		
13	Left fuel level sensor	16 14 6 766 008	1	1		
14	Protection plate activated-carbon canister	16 13 7 180 167	1	1		
o.A.	Body nut M5	61 13 1 372 033	2	2		
o.A.	Hex bolt M5x14	07 11 9 902 007	2	2		

a) 03/07 and up



P O S	Description	Part number	B6 Coupé	B6 Cabrio	RL	R E M
1	Cooling package	17 10 654	1	1		
2	Hex bolt M6x30	07 11 9 903 994	2	2		
3	Rubber grommet	13 71 1 702 508	2	2		
4	Dowel	13 71 1 438 765	2	2		
5	Bracket cover back	17 10 645	1	1		
6	Compensator	17 11 7 508 501	3	3		
7	Oil cooler engine+transmission	17 10 628	2	2		AE
7	Oil cooler engine+transmission	17 10 663	2	2		a
8	Oil cooler power steering	17 21 601	1	1		
9	Condenser air conditioning	64 50 709	1	1		
10	Bracket cover front	17 10 649	1	1		
11	Intercooler	17 50 616	1	1		b
12	Front bracket	17 10 648	1	1		AE
12	Front bracket	17 10 672	1	1		
13	Bracket	17 50 607	2	2		
14	Hex bolt M6x20	07 11 9 901 787	4	4		
15	Fillister head screw M6x26	07 14 7 072 901	6	6		
16	Bracket oil pipe	17 22 7 519 270	1	1		
17	Dowel	17 22 7 525 819	1	1		
18	Screw	51 41 8 192 749	1	1		
19	Washer	07 33 109	1	1		
20	Screw	17 11 1 716 613	25	25		
21	Transmission oil cooler pipe (first flow)	17 22 615	1	1		
22	Transmission oil cooler pipe (return flow)	17 22 616	1	1		
23	Hex bolt M8x30	17 11 1 712 568	1	1		
24	Sealing	17 22 2 245 358	2	2		
25	Hex bolt M7x30	07 11 9 901 679	2	2		

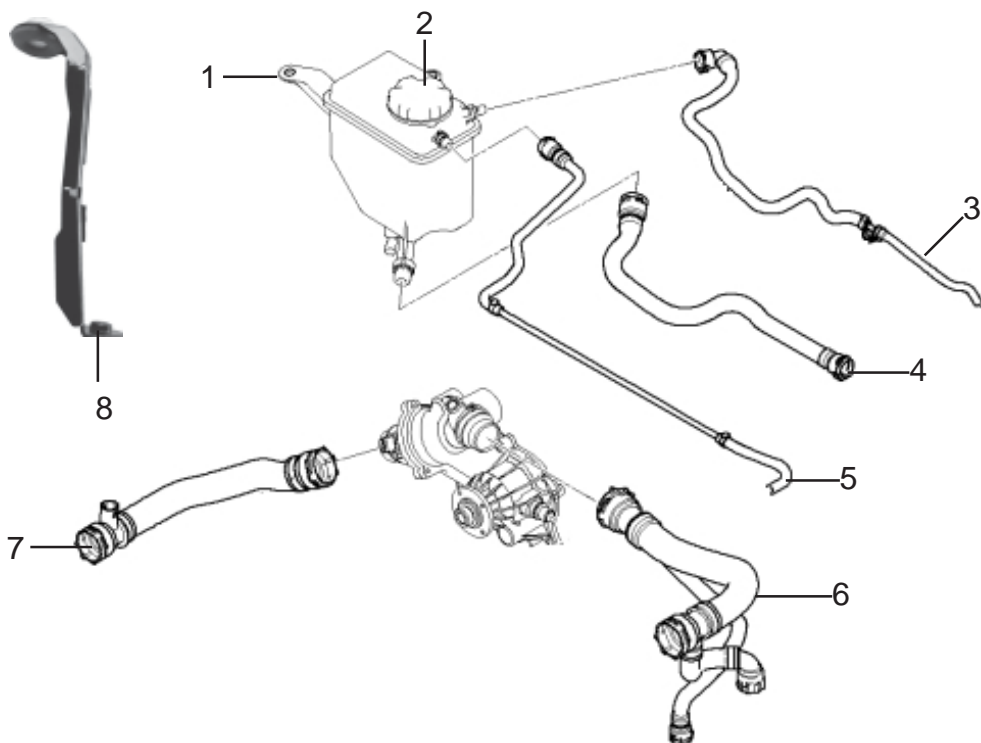
a) change only by pairs!
b) w/o connecting tube 17 10 613



POS	Description	Part number	B6 Coupé	B6 Cabrio	RL	RE M
1	Intercooler	17 50 611	1	1		
2	Clamp	07 40 081	1	1		
3	Rivet	51 16 1 881 149	2	2		
4	Bracket cover back	17 10 626	1	1		
5	Clip	61 13 8 368 029	2	2		
6	Vacuum hose	17 12 606	1	1		
7	Radiator	17 11 7 532 770	1	1		
8	Fan	17 10 647	1	1		AE
8	Fan	17 10 668	1	1		b
11	Engine oil cooler pipe inlet (joining engine)	17 22 608	1	1		a
12	Engine oil cooler pipe outlet (joining engine)	17 22 609	1	1		a
13	Bracket engine oil cooler (joining engine)	17 10 642	1	1		
14	Socket	17 10 641	2	2		
15	Clip	07 12 9 903 337	2	2		
16	Gasket ring	07 11 9 963 130	1	1		
17	Plug bolt	07 39 004	1	1		
18	Connecting tube intercooler	17 50 613	1	1		a
19	Screw	41 35 7 007 125	4	4		a
20	Cooling package support	17 11 600	2	2		
21	Engine oil cooler pipe inlet (joining cooler)	17 22 617	1	1		
22	Engine oil cooler pipe outlet (joining cooler)	17 22 618	1	1		AE
22	Engine oil cooler pipe outlet (joining cooler)	17 22 620	1	1		
23	Dowel	17 10 653	1	1		

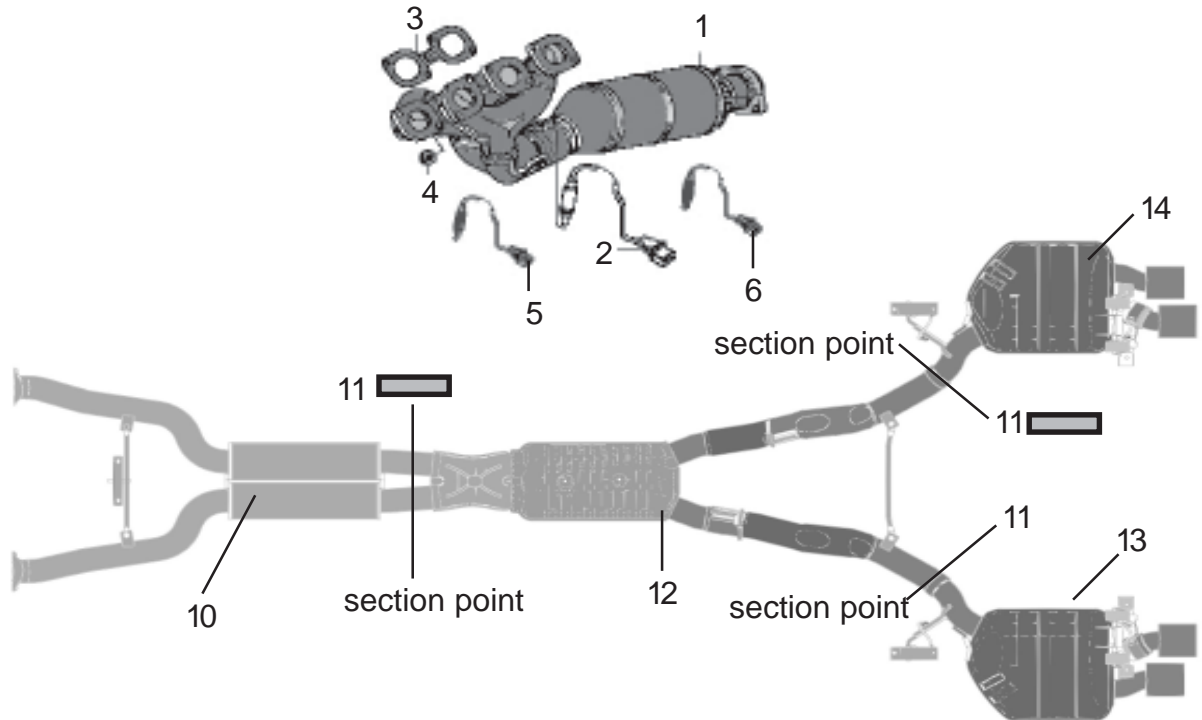
a) not included at Pos. 1)

b) to ALPINA production 10/06, only in combination with intercooler hose 11 65 728 page 15



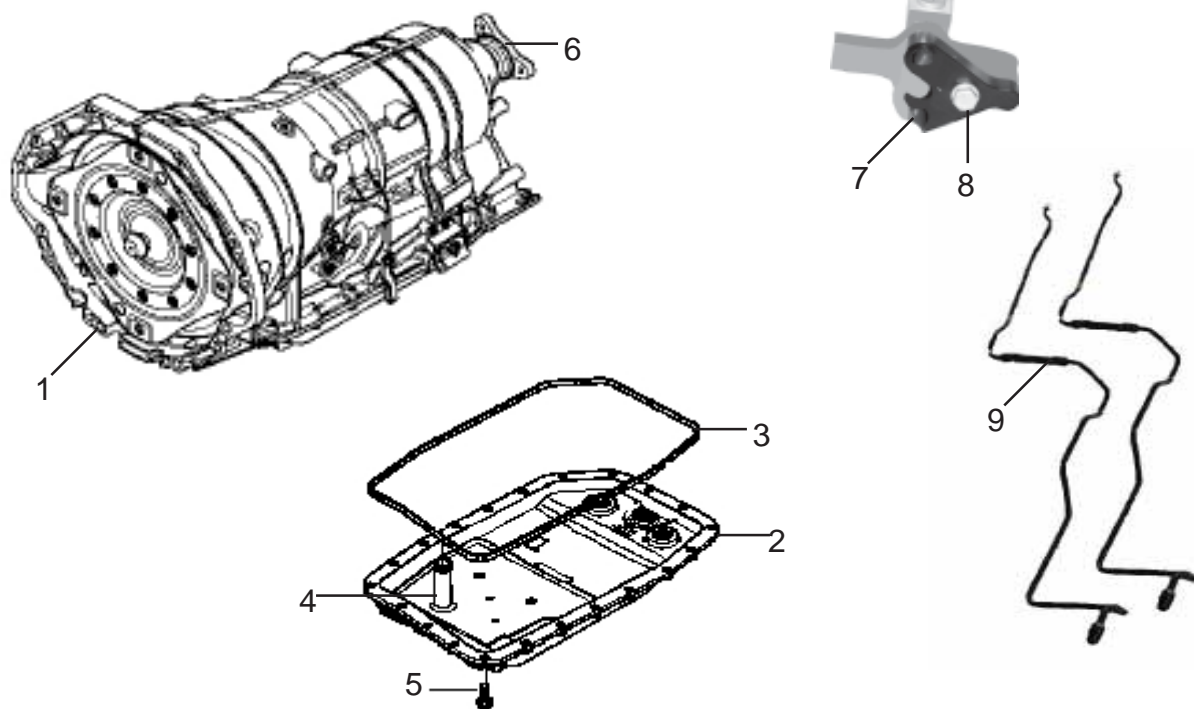
POS	Description	Part number	B6 Coupé	B6 Cabrio	RL	REM
1	Expansion reservoir	17 13 600	1	1		
2	Radiator cap	17 13 7 516 004	1	1		a
3	Breather pipe - crankcase	17 12 608	1	1		
4	Return flow pipe	17 12 607	1	1		
5	Breather pipe - cooler	17 12 606	1	1		
6	Inlet pipe	17 12 605	1	1		
7	Outlet pipe	17 12 600	1	1		
8	Bracket expansion reservoir	17 13 602	1	1		

a) included at Pos. 1



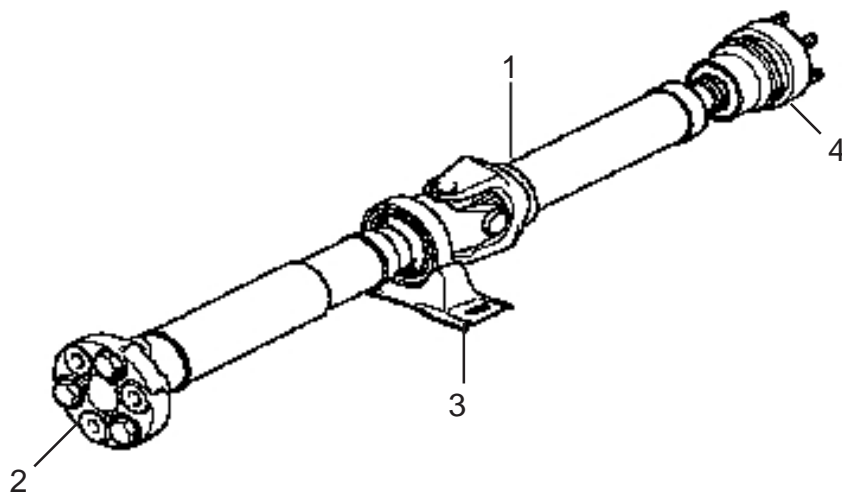
P O S	Description	Part number	B6 Coupé	B6 Cabrio	RL	R E M
1	Exhaust manifold w/ catalytic converter 1-4	18 10 909	1	1		
1	Exhaust manifold w/ catalytic converter 1-4	18 10 911			1	
1	Exhaust manifold w/ catalytic converter 5-8	18 10 910	1	1		
1	Exhaust manifold w/ catalytic converter 5-8	18 10 912			1	
2	Exhaust gas temperatur	11 78 7 836 452	2	2		
3	Gasket	11 62 7 505 789	3	3		
3	Gasket	11 62 7 505 789			4	
3	Gasket cyl. 3-4	11 62 7 505 788	1	1		
4	Hexnut	11 62 7 509 731	x	x		
5	Oxygen sensor cyl. 1-4	11 78 7 516 150	1	1		
5	Oxygen sensor cyl. 1-4	11 78 7 512 982			1	
5	Oxygen sensor cyl. 5-8	11 78 7 521 705	1	1		
6	Oxygen sensor cyl. 1-4	11 78 7 512 567	1	1		
6	Oxygen sensor cyl. 5-8	11 78 7 512 002	1	1		
7	Gasket	11 62 7 832 535	2	2		
8	Hex nut M10	18 30 1 317 898	4	4		
9	Bolt M10x45	11 61 1 318 568	4	4		
10	Front silencer	18 10 933	1	1		
11	Clamping bush	18 30 7 525 639	4	4		
12	Central silencer	18 10 934	1	1		
13	Rear silencer left	18 10 935	1	1		
13	Rear silencer left	18 10 947	1	1		a
14	Rear silencer right	18 10 936	1	1		
14	Rear silencer right	18 10 948	1	1		a

a) 09/07 and up

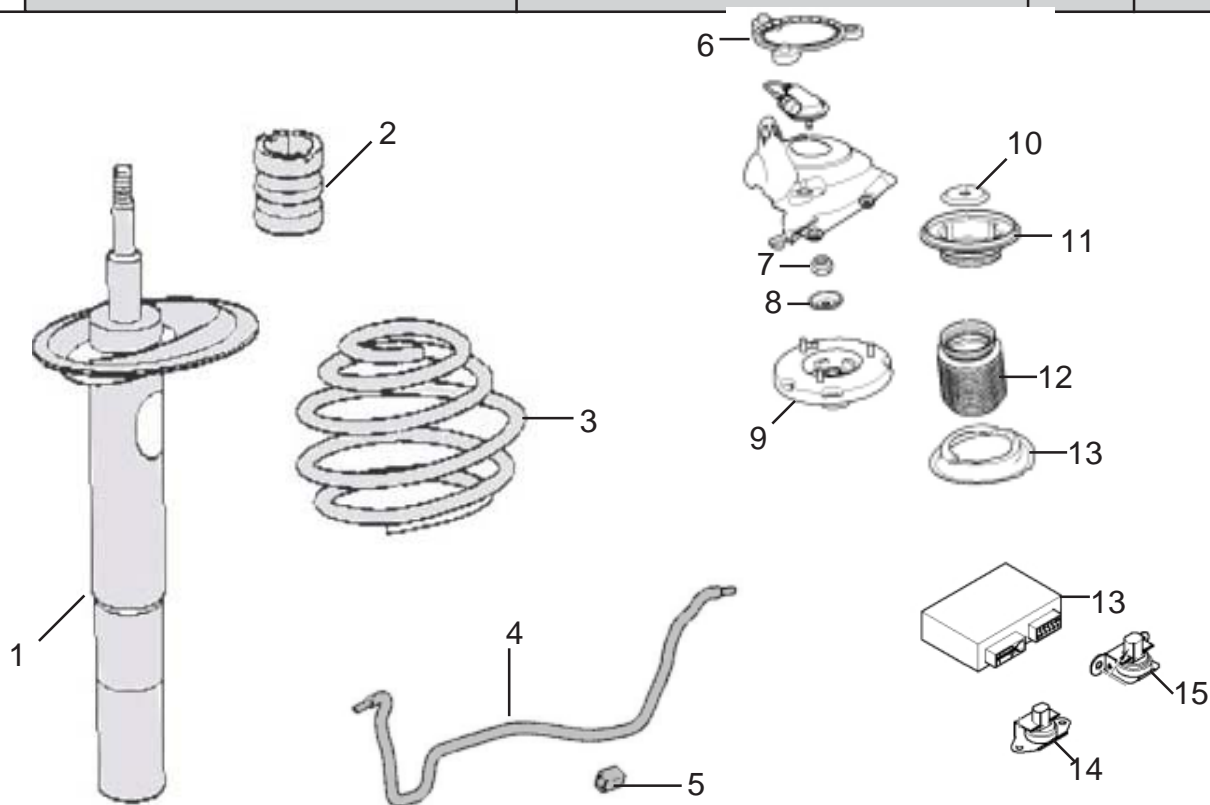


POS	Description	Part number	B6 Coupé	B6 Cabrio	RL	REM
1	Rmfd automatic transmission ZF6HP26	24 10 667T	1	1		
1	Rmfd automatic transmission ZF6HP26	24 10 669T	1	1		a
2	Oil pan	24 10 661	1	1		
3	Gasket	24 11 7 543 484	1	1		
4	Oil filter	24 11 7 543 550	1	1		
5	Oil drain plug with sealing	24 11 7 543 549	1	1		AE
5	Oil drain plug with sealing	24 11 7 552 351	1	1		
6	Output flange	24 20 7 522 974	1	1		
7	Thermostat	24 10 656	1	1		
8	Hex bolt M8x60	07 11 9 902 176	1	1		
9	Transmission oil cooler pipe inlet	17 22 613	1	1		
9	Transmission oil cooler pipe outlet	17 22 614	1	1		

a) 09/07 and up

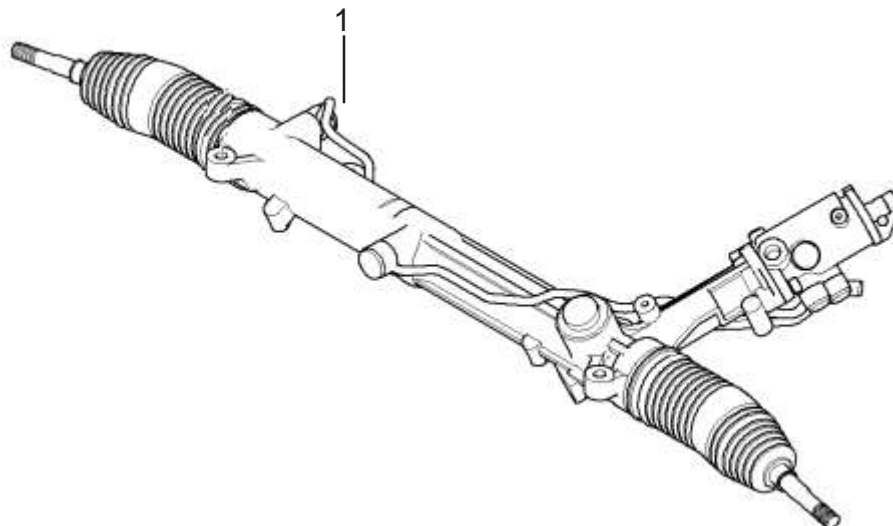


POS	Description	Part number	B6 Coupé	B6 Cabrio	RL	REM
1	Drive shaft	26 10 615	1	1		
2	Universal joint	26 11 7 518 443	1	1		
3	Central mount	26 12 7 521 856	1	1		
4	Constant velocity joint	26 11 7 518 449	1	1		
	Drive shaft single parts: see BMW parts catalogue E65 760i					



P O S	Description	Part number	B6 Coupé	B6 Cabrio	RL	R E M
1	Suspension leg left front	31 31 665	1	1		
1	Suspension leg left front	31 31 677	1	1		a
1	Suspension leg right front	31 31 666	1	1		
1	Suspension leg right front	31 31 678	1	1		a
2	Damper	31 33 6 764 084	2	2		
2	Damper	31 33 2 283 182	2	2		a
3	Coil spring	31 33 641	2			
3	Coil spring	31 33 649	2			a
3	Coil spring	31 33 648		2		
3	Coil spring	31 33 650		2		a
4	Stabilizer bar front D=25,5mm	31 35 6 766 508	1			
4	Stabilizer bar front D=25,0mm	31 35 6 764 111		1		
4	Stabilizer bar front D=25,6mm	31 35 7 905 312	1	1		a
5	Stabilizer rubber mounting D=25,5mm	31 35 6 766 509	2			
5	Stabilizer rubber mounting D=25,0mm	31 35 6 764 113		2		
5	Stabilizer rubber mounting D=25,5mm	31 35 6 766 509	2	2		a
6	Bracket cover	31 31 2 283 166	2	2		a
7	Hex nut	31 10 6 779 396	2	2		a
8	Spacer	31 33 2 282 679	2	2		a
9	Guide bearing	31 33 2 282 651	2	2		a
10	Spacer	31 33 2 283 038	2	2		a
11	Upper spring pad	31 33 1 091 233	2	2		a
12	Rubber boot	31 33 1 093 344	2	2		a
13	EDC-control unit	37 14 7 840 414	1	1		a
	Bracket for control unit	37 10 7 835 872	1	1		a
14	Accelerating sensor front	37 14 6 776 213	1	1		a
15	Accelerating sensor front	37 14 6 776 214	1	1		a

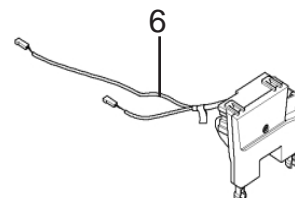
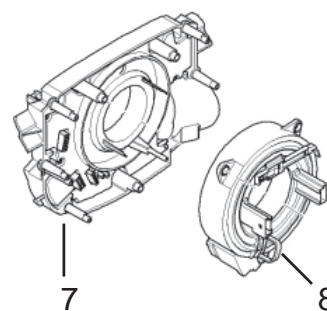
a) 09/07 and up



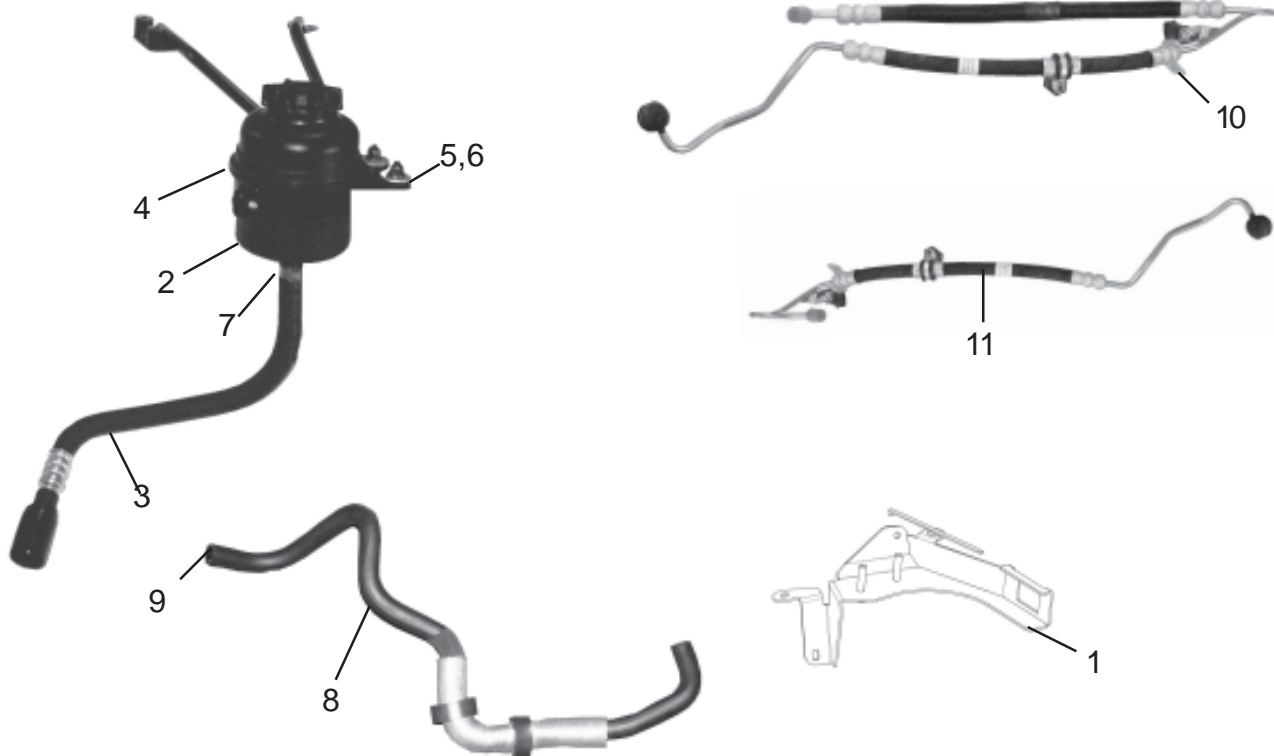
P O S	Description	Part number	B6 Coupé	B6 Cabrio	RL	R E M
1	Hydraulic steering gear	32 11 605	1	1		E
1	Hydraulic steering gear	32 11 604	1	1	x	E
1	Hydraulic steering gear BMW serial part, but only in connection with ALPINA steering angle limitation observe mounting position, see mounting information for steering angle limitation	32 11 601	2	2		a
		88 03 414	1	1		b

a) see mounting information 88 03 414

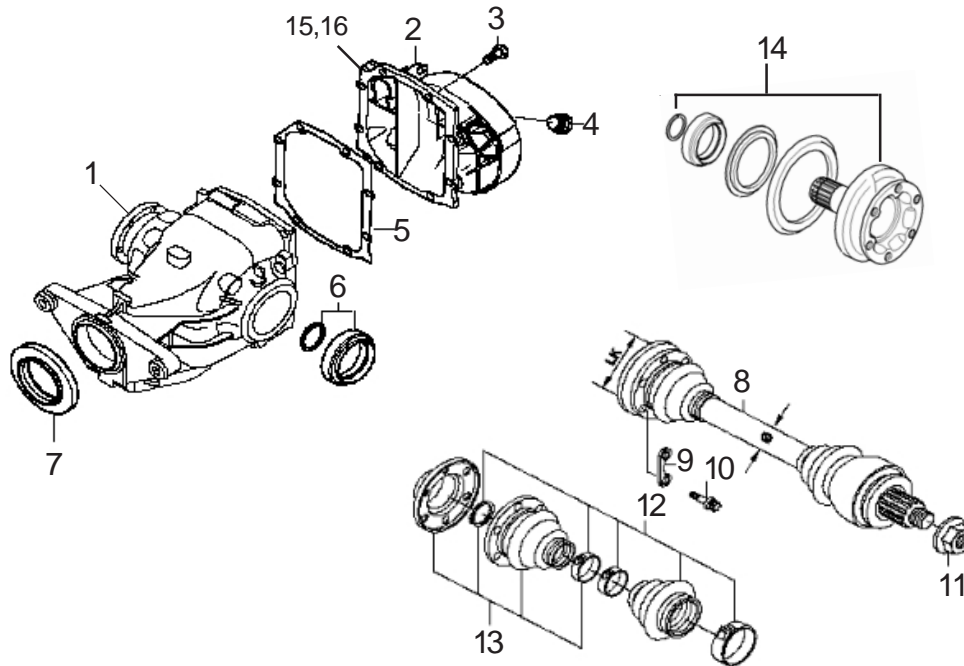
b) please order separatly



POS	Description	Part number	B6 Coupé	B6 Cabrio	RL	RE M
1	steering wheel rim leather to 09/07	32 33 227	1	1		ab
1	steering wheel rim leather from 09/07-11/08	32 33 231	1			abd
1	steering wheel rim leather from 09/07-11/08	32 33 232	1	1		abc
1	steering wheel rim leather from 11/08	32 33 238	1	1		abd
1	steering wheel rim leather from 11/08	32 33 239	1	1		abc
2	MFL-switch left leather to 09/07	32 33 225	1	1		
3	MFL-switch right leather to 09/07	32 33 217	1	1		
2	MFL-switch right leather from 09/07-11/08	32 33 242	1	1		c
3	MFL-switch left leather from 09/07-11/08	32 33 243	1	1		c
2	MFL-switch right leather from 09/07-11/08	32 33 244	1	1		d
3	MFL-switch left leather from 09/07-11/08	32 33 245	1	1		d
2	MFL-switch right leather from from 11/08	32 33 246	1	1		c
3	MFL-switch left leather from 11/08	32 33 247	1	1		c
2	MFL-switch right leather from 11/08	32 33 248	1	1		d
3	MFL-switch left leather from 11/08	32 33 249	1	1		d
4	set of decorative clips leather to 09/07	32 33 218	1	1		
5	airbag from 09/05-09/07	32 33 222	1	1		
5	airbag from 09/07	32 33 228	1	1		c
5	airbag from 09/07	32 33 229	1	1		d
6	control unit steering wheel	61 31 604	1	1		
7	switch unit steering column from 09/05-03/06	61 31 9 111 999	1	1		
7	switch unit steering column from 03/06-03/07	61 31 9 115 167	1	1		e
8	coil spring cartridge from 09/05	61 31 6 976 395	1	1		
a) including pos. 2) and 3)			c) without SA 5AD			
b) seams in green-blue, please indicate other colours			d) with SA 5AD			
e) then series BMW						

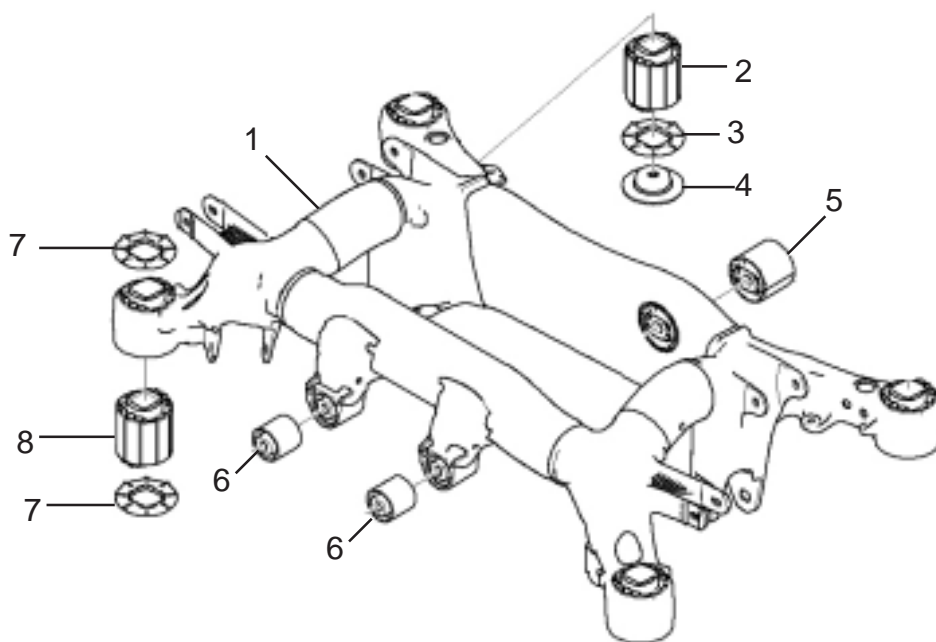


POS	Description	Part number	B6 Coupé	B6 Cabrio	RL	REM
1	Bracket oil carrier	32 41 641	1	1		
2	Oil carrier	32 41 1 097 164	1	1		
3	Cooler pipe outlet	32 41 639	1	1		
4	Bracket	32 41 1 141 795	1	1		
5	Rubber mounting	37 21 1 119 643	2	2		
6	Dowel	32 41 1 095 937	2	2		
7	Hose clamp	32 41 6 751 128	1	1		
8	Suction pipe	32 41 634	1	1		
9	Hose clamp	07 12 9 952 109	1	1		
10	Expansions pipe	32 41 635	1	1		
10	Expansions pipe	32 41 636			1	
11	Back flow pipe	32 41 637	1	1		
11	Back flow pipe	32 41 638			1	



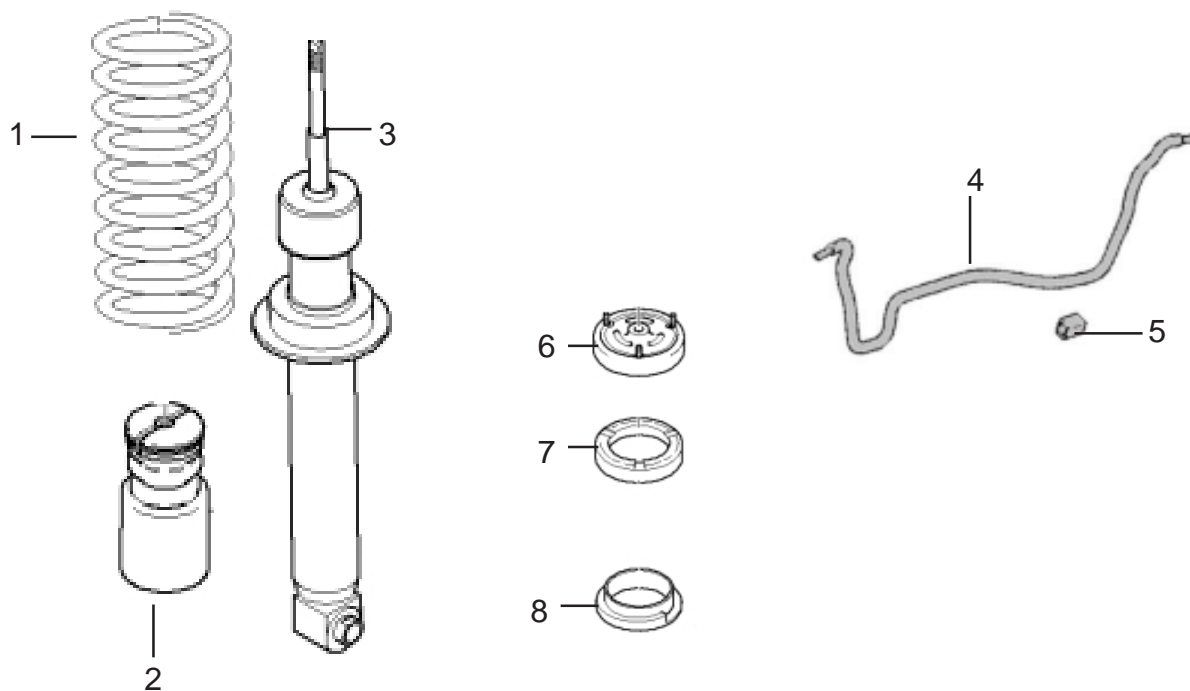
POS	Description	Part number	B6 Coupé	B6 Cabrio	RL	REM
1	Rear axle 230L i=3,38	33 10 696	1			a
1	Rear axle 230L i=3,38	33 10 697		1		a
1	Rear axle 230L i=3,38	33 10 698	1			b
1	Rear axle 230L i=3,38	33 10 699		1		b
2	Rear axle cover type 230L	33 11 600	1			
2	Rear axle cover type 230L	33 11 602		1		
3	Hex bolt with ribs	33 11 7 521 292	7	7		
3	Hex bolt with ribs	33 11 7 521 293	1	1		
4	Screw plug with sealing	33 11 7 525 064	2	2		
5	Gasket type 230L	33 11 7 536 253	1	1		
6	Shaft seal with lock ring	33 10 7 505 605	2	2		
7	Shaft seal	33 10 1 213 412	1	1		
8	Output shaft LK=100mm/D=35mm	33 20 7 523 694	2	2		
9	Spacer	33 21 7 502 655	6	6		
10	Bolt with ribs	26 11 7 501 270	12	12		
11	Nut	33 41 1 133 785	2	2		
12	Repair kit boot inner	33 21 7 523 695	2	2		
13	Repair kit boot outer	33 21 7 523 696	2	2		
14	Drive flange output	33 13 7 527 749	2	2		
15	screw plug	07 11 9 904 539	1	1		
16	sealing	07 11 9 963 225	1	1		

a) w/o locking differential
b) w/ locking differential



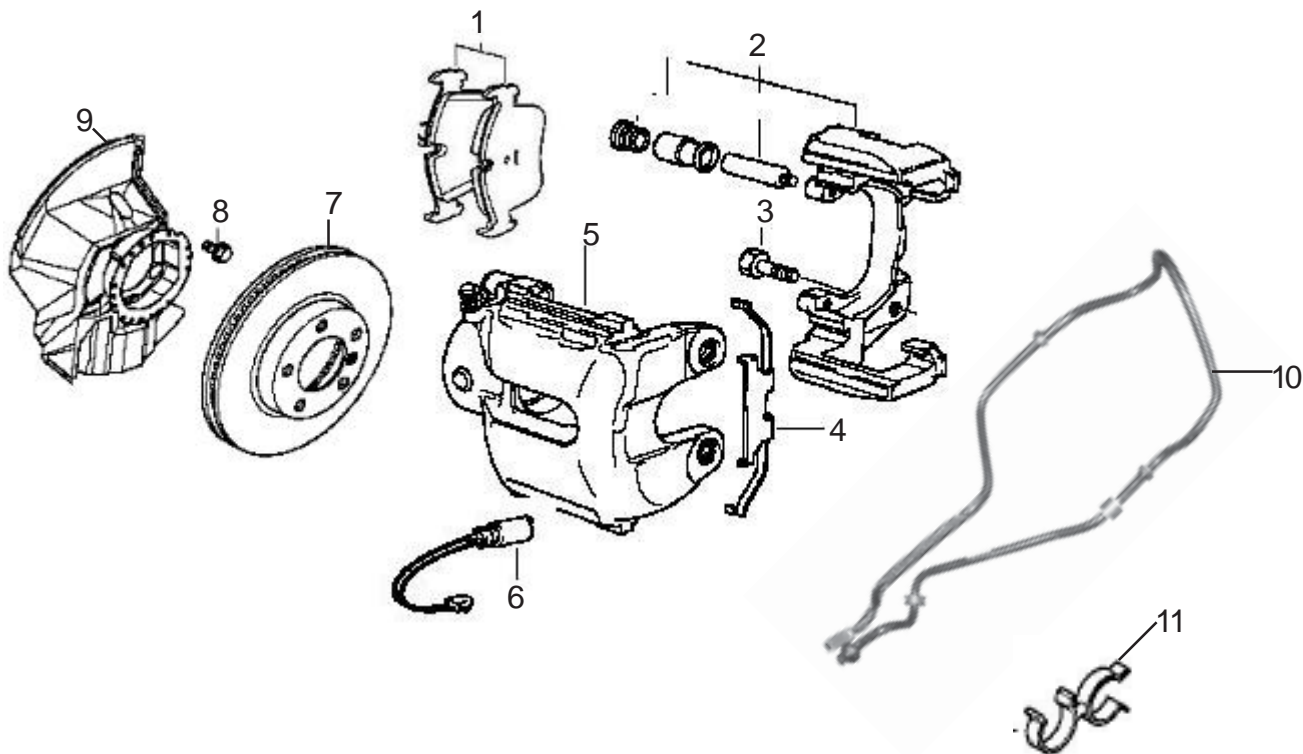
POS	Description	Part number	B6 Coupé	B6 Cabrio	RL	REM
1	Rear axle support	33 31 6 762 084	1	1		a
2	Rubber mounting	33 31 2 282 727	2	2		
3	Rear stopper	33 31 2 283 192	2	2		
4	Rear stopper left	33 31 6 764 889	1	1		
4	Rear stopper right	33 31 6 764 890	1	1		
5	Rubber mounting rear	33 17 6 767 526	2	2		
6	Rubber mounting front	33 17 6 767 525	2	2		
7	Stopper front	33 31 6 765 404	4	4		
8	Rubber mounting	33 31 6 764 904	2	2		

a) replace rear rubber mounting with Pos.2!



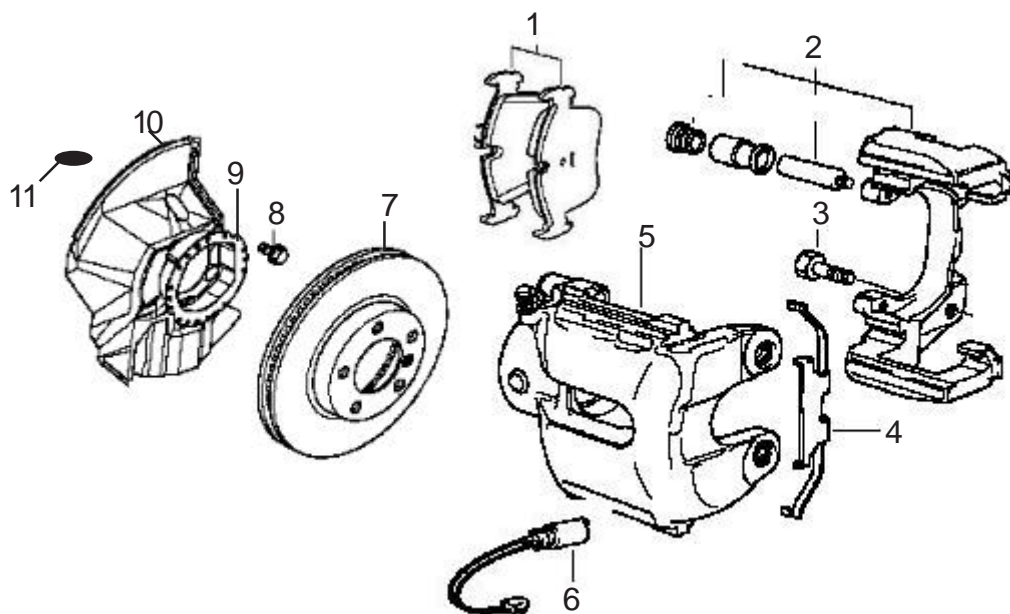
POS	Description	Part number	B6 Coupé	B6 Cabrio	RL	REM
1	Coil spring	33 53 636	2			
1	Coil spring	33 53 637		2		
2	Dumper	33 53 6 762 722	2			
3	Shock absorber	33 52 651	2	2		
3	Shock absorber	33 52 661	2	2		a
4	Stabilizer bar D=18mm	33 55 2 283 072	1	1		
5	Stabilizer rubber mounting	33 55 2 283 073	2	2		
6	Guide bearing	33 52 2 282 766	2	2		a
7	Upper spring pad	33 53 2 282 767	2	2		a
8	Lower spring pad	33 53 2 229 913	2	2		a

a) 09/07 and up

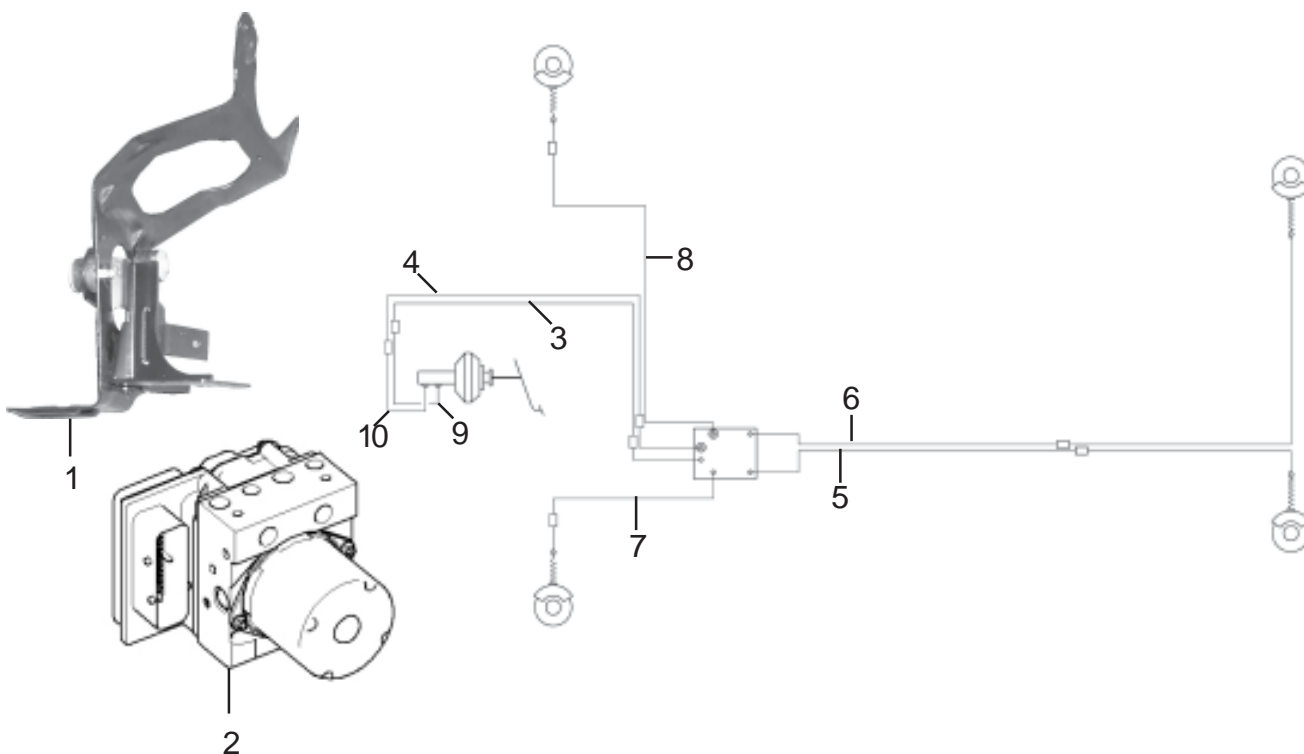


POS	Description	Part number	B6 Coupé	B6 Cabrio	RL	REM
1	Brake pads	34 11 6 763 652	1	1		
2	Brake carrier	34 11 6 763 996	2	2		
3	Hex bolt M12x1,5x43	34 11 6 772 117	4	4		
4	Clip	34 11 6 761 793	2	2		
5	Caliper housing left	34 11 6 761 795	1	1		
5	Caliper housing right	34 11 6 761 796	1	1		
6	Brake pad wear indicator	34 35 6 776 421	1	1		
7	Brake disc	34 11 6 663	2	2		
8	Hex bolt	34 11 6 772 886	8	8		
9	Protection plate left	34 11 6 767 691	1	1		
9	Protection plate right	34 11 6 767 692	1	1		
10	Vacuum hose	34 33 604	1	1		AEa
10	Vacuum hose	34 33 607	1	1		a
10	Vacuum hose	34 33 605	1	1	x	AEb
10	Vacuum hose	34 33 608	1	1	x	b
11	Bracket vacuum hose	34 33 603	1	1		

a) only LHD
b) only RHD



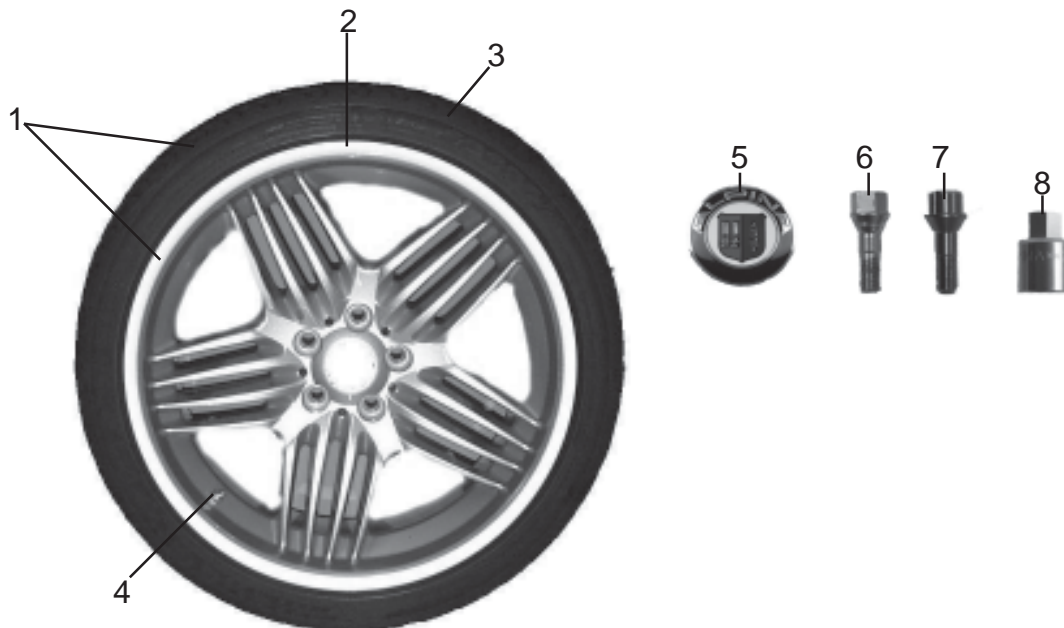
POS	Description	Part number	B6 Coupé	B6 Cabrio	RL	REM
1	Brake pads	34 11 6 761 286	1	1		W
1	Brake pads	34 21 6 768 471	1	1		
2	Brake carrier	34 21 6 760 420	2	2		
3	Hex bolt M12x1,5x43	34 11 6 772 117	4	4		
4	Clip	34 21 6 753 675	2	2		
5	Brake caliper left	34 21 6 753 679	1	1		
5	Brake caliper right	34 21 6 753 680	1	1		
6	Brake pad wear indicator	34 35 6 776 422	1	1		
7	Brake disc	34 21 6 18	2	2		
8	Hex bolt	34 21 6 772 121	8	8		
9	Supporting ring	34 21 6 752 491	2	2		
10	Protection plate	34 21 6 754 629	1	1		
10	Protection plate	34 21 6 754 630	1	1		
11	Gasket	34 21 1 166 260	2	2		



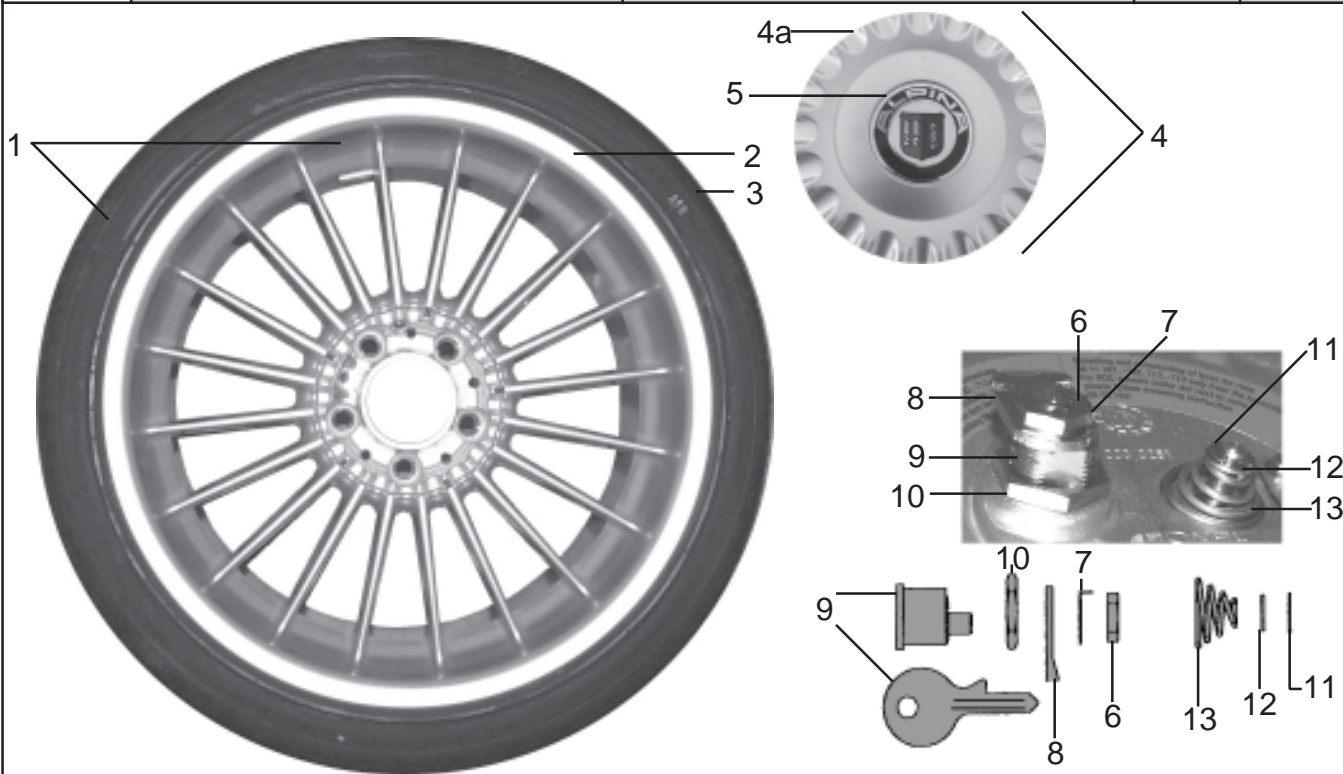
P O S	Description	Part number	B6 Coupé	B6 Cabrio	RL	R E M
1	Bracket DSC control unit	34 51 604	1	1		
2	Control unit DSC 8+	34 52 6 774 851	1	1		
3	Brake circuit pipe front part 2	34 32 600	1	1		a
3	brake circuit pipe front part 2	34 32 617	1	1		ac
3	Brake circuit pipe front part 2	34 32 606			1	a
3	brake circuit pipe front part 2	34 32 619			1	ac
4	Brake circuit pipe rear part 2	34 32 601	1	1		b
4	brake circuit pipe rear part 2	34 32 618	1	1		bc
4	Brake circuit pipe rear part 2	34 32 607			1	b
4	brake circuit pipe rear part 2	34 32 620			1	bc
5	Brake circuit pipe rear left part 3	34 32 613	1	1		
5	brake circuit pipe rear left part 3	34 32 623	1	1		c
6	Brake circuit pipe rear right part 3	34 32 614	1	1		
6	brake circuit pipe rear right part 3	34 32 626	1	1		c
7	Brake circuit pipe front left part 3	34 32 604	1	1		
7	brake circuit pipe front left part 3	34 32 627	1	1		c
8	Brake circuit pipe front right part 3	34 32 605	1	1		
8	brake circuit pipe front right part 3	34 32 628	1	1		c
9	Brake circuit pipe front part 3	34 32 2 282 782	1	1		a
9	brake circuit pipe front part 3	34 32 2 283 839	1	1		ac
9	Brake circuit pipe front part 3	34 32 609			1	a
10	Brake circuit pipe rear part 3	34 32 2 283 092	1	1		b
10	Brake circuit pipe rear part 3	34 32 610			1	b

a) d=8mm
b) d=6mm

c) 09/07 and up



POS	Description	Part number	B6 Coupé	B6 Cabrio	RL	REM
1	Alloy wheel 9 x 20" 255/35 R 20 PS2 front	36 12 728	2	2		
1	Alloy wheel 10 x 20" 285/30 R 20 PS2 rear	36 12 729	2	2		
2	Alloy rim 9 x 20"	36 11 758	2	2		
2	Alloy rim 10 x 20"	36 11 759	2	2		
3	Michelin Pilot Sport 255/35 R 20 97Y	on request	2	2		
3	Michelin Pilot Sport 285/30 R 20 99Y	on request	2	2		
4	Valve	36 10 086	4	4		
5	Hub cap	36 13 128	4	4		
6	Wheel bolt l=51,5mm	36 13 016	16	16		
7	Wheel bolt theft protected	36 13 017	4	4		
8	Wrench socket SW17	74 00 137	1	1		

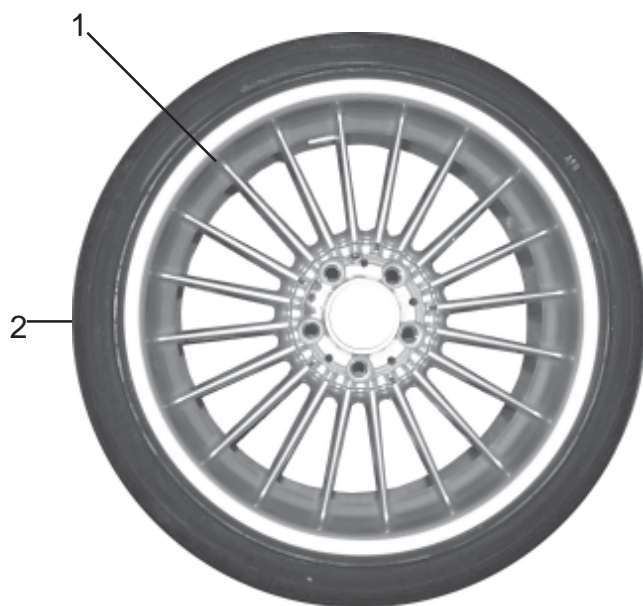


P O S	Description	Part number			RL	R E M
			B6 Coupé	B6 Cabrio		
1	Alloy wheel 8,5 x 19" 255/40 ZR 19 front	36 12 761	2	2		
1	Alloy wheel 9,5 x 19" 285/35 ZR 19 rear	36 12 762	2	2		
2	Alloy rim 8,5 x 19" ET14	36 11 756	2	2		
2	Alloy rim 9,5 x 19" ET18	36 11 757	2	2		
3	Michelin Pilot Sport 255/40 ZR 19	on request	2	2		
3	Michelin Pilot Sport 285/35 ZR 19	on request	2	2		
4	Cover complete	36 10 064	4	4		
4a	Cover w/o emblem and support	36 13 116	1	1		
5	ALPINA-emblem with support	36 13 117	4	4		AE
5	ALPINA-emblem with support	36 13 135	4	4		
6	Nut SW12	36 13 123	4	4		c
7	Locking plate	36 13 122	4	4		c
8	Locking lever	36 13 120	4	4		c
9	Set lock with nuts and locking lever	36 13 119	1	1		
10	Nut SW19	36 13 121	4	4		c
11	Locking plate	36 13 125	4	4		a
11	Hex nut M4	07 28 014	4	4		b
12	Washer	07 33 008	4	4		a
12	Washer	07 33 019	4	4		b
13	Coil	36 13 124	4	4		

a) old construction 36 13 117

b) new construction 36 13 135, included at Pos. 5

c) included at pos. 9

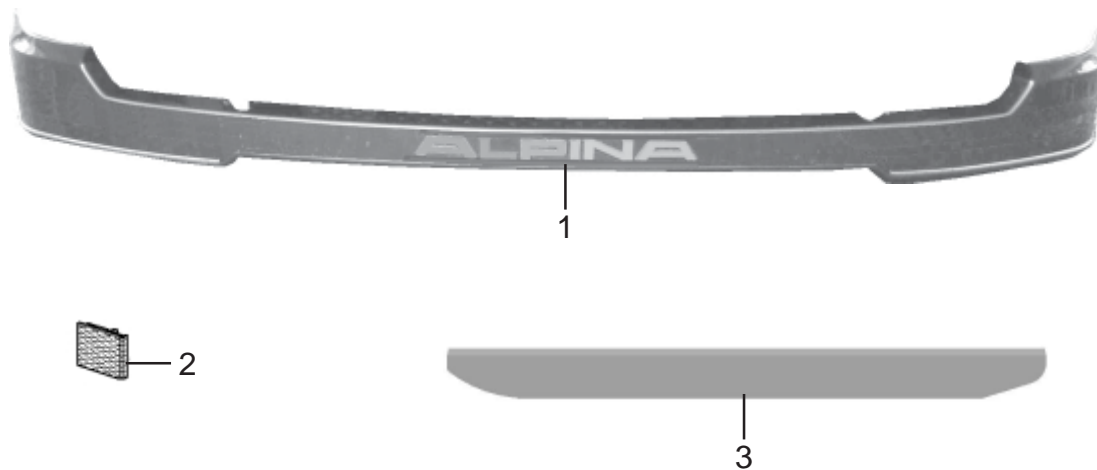


P O S	Description	Part number	B6 Coupé	B6 Cabrio	RL	R E M
1	ALPINA alloy rim 8,5x19"	36 11 756	4	4		
2	Tyre 255/45R19 100V M+S	on request	4	4		
	Rim cover see wheels 19"					



P O S	Description	Part number	B6 Coupé	B6 Cabrio	RL	R E M
1	LU engine hood	41 00 855	1	1		a b
1	Engine hood	41 00 854	1	1		a
2	Water drain	41 00 853	1	1		a
o.A.	Rivet	51 16 8 197 908	5	1		a

a) 09/07 and up
b) with pos. 1,2 and rivet



P O S	Description	Part number	B6 Coupé	B6 Cabrio	RL	R E M
1	Front spoiler primed type 761	41 00 803	1	1		
1	Front spoiler primed type 823	41 00 824	1	1		b
2	Grid lateral left	41 00 795	1	1		a
2	Grid lateral left	41 00 841	1	1		ab
2	Grid lateral right	41 00 796	1	1		a
2	Grid lateral right	41 00 842	1	1		ab
3	spoiler edge left	41 00 787	1	1		
3	spoiler edge right	41 00 788	1	1		
o.A.	P1 glue 80ml	07 58 013	1	1		

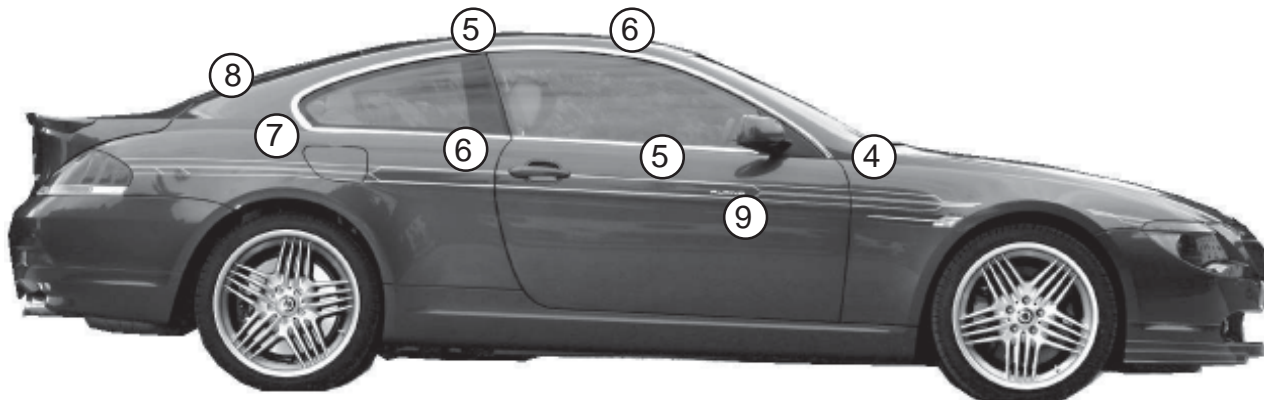
a) included at pos. 1)

b) 09/07 and up



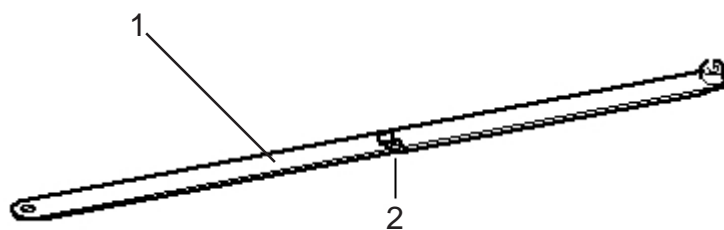
POS	Description	Part number	B6 Coupé	B6 Cabrio	RL	REM
1	Rear spoiler primed type 762	41 00 801	1			
1	Rear spoiler primed type 825	41 00 826	1			a
1	Rear spoiler primed type 764	41 00 802		1		
1	Rear spoiler primed type 764	41 00 828		1		a
o.A.	P1 glue 80ml	07 58 013	1	1		

a) 09/07 and up



P O S	Description	Part number	B6	B6	RL	R E M
			Coupé	Cabrio		
1	Sign ALPINA 360mm silver	51 00 225	1	1		
1	Sign ALPINA 360mm gold	51 00 224	1	1		
2	Rhomb front spoiler right gold	41 00 376	1	1		
2	Rhomb front spoiler right gold	41 00 424	1	1		a
2	Rhomb front spoiler right silver	41 00 374	1	1		
2	Rhomb front spoiler right silver	41 00 422	1	1		a
3	Rhomb front spoiler left gold	41 00 375	1	1		
3	Rhomb front spoiler left gold	41 00 423	1	1		a
3	Rhomb front spoiler left silver	41 00 373	1	1		
3	Rhomb front spoiler left silver	41 00 421	1	1		a
4	Rhomb front right gold	41 00 246	1	1		
4	Rhomb front right silver	41 00 252	1	1		
4	Rhomb front left gold	41 00 247	1	1		
4	Rhomb front left silver	41 00 253	1	1		
5	Rhomb door FR + RL gold	41 00 248	2	2		
5	Rhomb door FR + RL silver	41 00 254	2	2		
6	Rhomb door FL + RR gold	41 00 249	2	2		
6	Rhomb door FL + RR silver	41 00 255	2	2		
7	Rhomb rear right gold	41 00 250	1	1		
7	Rhomb rear right silver	41 00 256	1	1		
8	Rhomb rear left gold	41 00 251	1	1		
8	Rhomb rear left silver	41 00 257	1	1		
9	Sign ALPINA 132mm gold	51 00 064	2	2		
9	Sign ALPINA 132mm silver	51 00 065	2	2		

a) 09/07 and up



POS	Description	Part number	B6 Coupé	B6 Cabrio	RL	REM
1	Tension strut, front axle left	51 61 8 042 053		1		
2	Hex bolt	51 34 1 950 474		1		



POS	Description	Part number	B6 Coupé	B6 Cabrio	RL	REM
1	"ALPINA" emblem chrome	51 00 246	1	1		
2	"B6" emblem chrome	51 00 288	1	1		
2	"B6 S" emblem chrome	51 00 307	1	1		c
3	Door sill trim left	51 47 661	1			
3	Door sill trim left	51 47 668		1		
3	Door sill trim right	51 47 662	1			
3	Door sill trim right	51 47 669		1		
4	Production plate "B6 Coupé"	76 00 320	1			
4	Production plate "B6 S Coupé"	76 00 340	1			
4	Production plate "B6 Cabrio"	76 00 321		1		c
4	Production plate "B6 S Cabrio"	76 00 341		1		c
5	Production plate bracket	51 00 740	1			a
i.V.	Axial retainer	51 00 706	2			a
5	Production plate bracket	51 00 767	1			b
i.V.	Counterplate	51 00 768	1			b
i.V.	Screw	06 00 215	2			b
5	Production plate bracket	51 00 759		1		
i.V.	Rivet	51 71 1 936 929		2		
i.V.	Axial retainer	51 00 706		2		

a) with SA 403 (sunroof)

c) 09/07 and up

b) without SA 403 (sunroof)

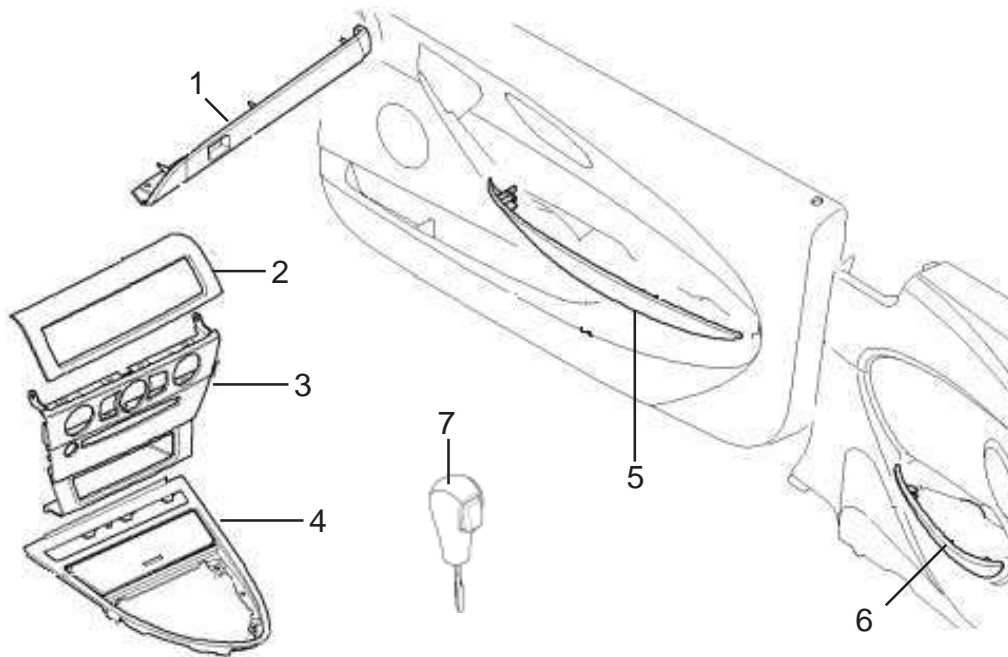


POS	Description	Part number	B6 Coupé	B6 Cabrio	RL	REM
1	Rear bumper primed	51 00 790	1	1		
1	Rear bumper primed	51 00 805	1	1		c
2	Rear diffuser primed	51 00 750	1	1		
2	Rear diffuser primed	51 00 796	1	1		c
2	Rear diffuser primed	51 00 804	1	1		bc
3	Rear diffuser bracket	51 00 770	1	1		
to3	Torx bolt with washerM6x20	07 14 7 119 148	5	5		
to3	Clip nut	51 12 7 070 202	5	5		
4	Rivet	51 71 8 219 511	2	2		
5	Lisence plate bracket to 09/07	51 00 775	1	1		b

a) only with SA 158 (delete rear diffuser)

c) 09/07 and up

b) only Japan and in connection with Pos.1)



POS	Description	Part number	B6 Coupé	B6 Cabrio	RL	REM
1	Trim panel dashboard	51 45 657	1	1		
1	Trim panel dashboard	51 45 658	1	1	x	
2	Trim panel fresh air grille	64 22 605	1	1		
2	Trim panel fresh air grille	64 22 606	1	1		c
3	Decor cover for instrument panel	51 45 663	1	1		
3	Decor cover for instrument panel	51 45 673	1	1		c
4	Trim panel for centre console	51 16 661	1	1		a
4	Trim panel for centre console	51 16 669	1	1		ac
4	Trim panel for centre console	51 16 662	1	1		b
4	Trim panel for centre console	51 16 670	1	1		bc
4	Trim panel for centre console	51 16 663	1	1	x	a
4	Trim panel for centre console	51 16 671	1	1	x	ac
4	Trim panel for centre console	51 16 664	1	1	x	b
4	Trim panel for centre console	51 16 672	1	1	x	bc
5	Trim panel door front left	51 41 645	1	1		
5	Trim panel door front right	51 41 646	1	1		
6	Trim panel rear left	51 42 651	1	1		
6	Trim panel rear right	51 42 652	1	1		
7	Trim panel selector lever	51 00 678	1	1		

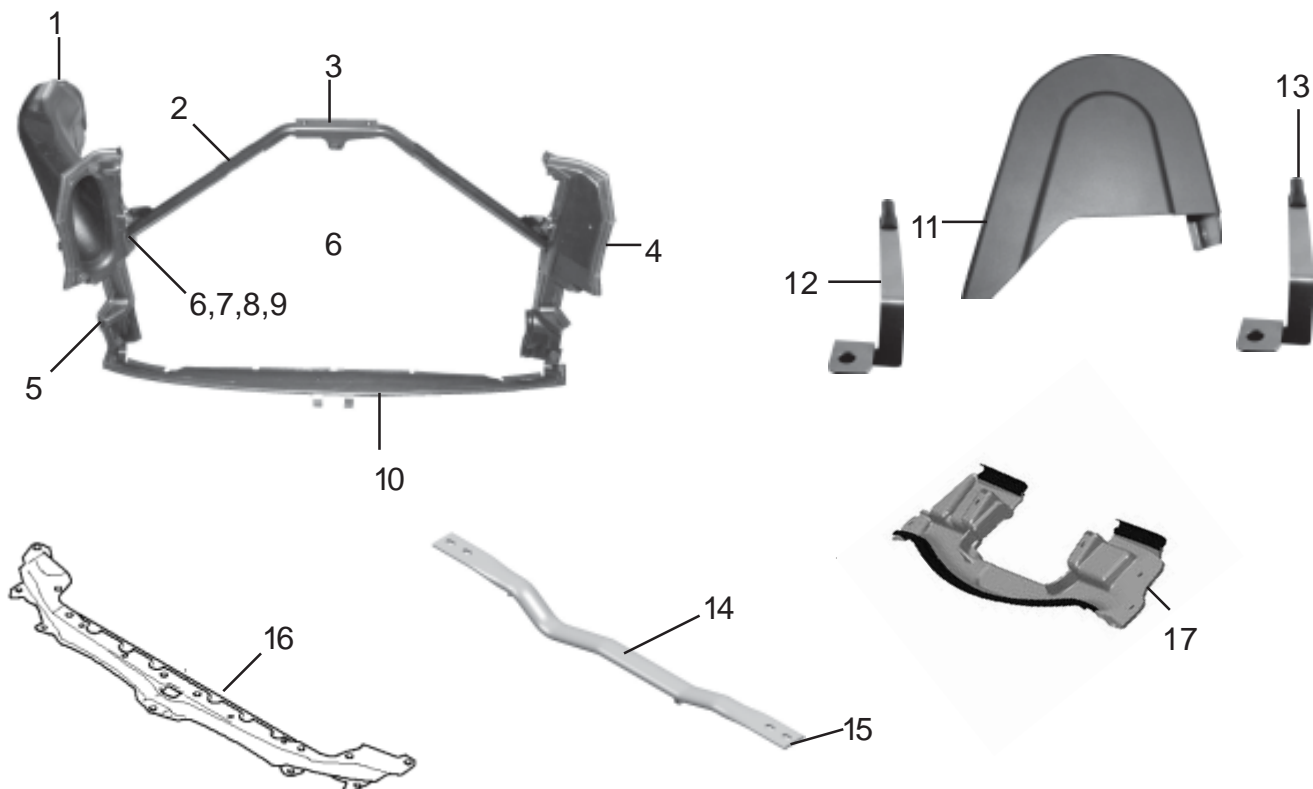
a) only with SA441 (Smoker's package)
b) only with Non-smoking-package

c) 09/07 and up



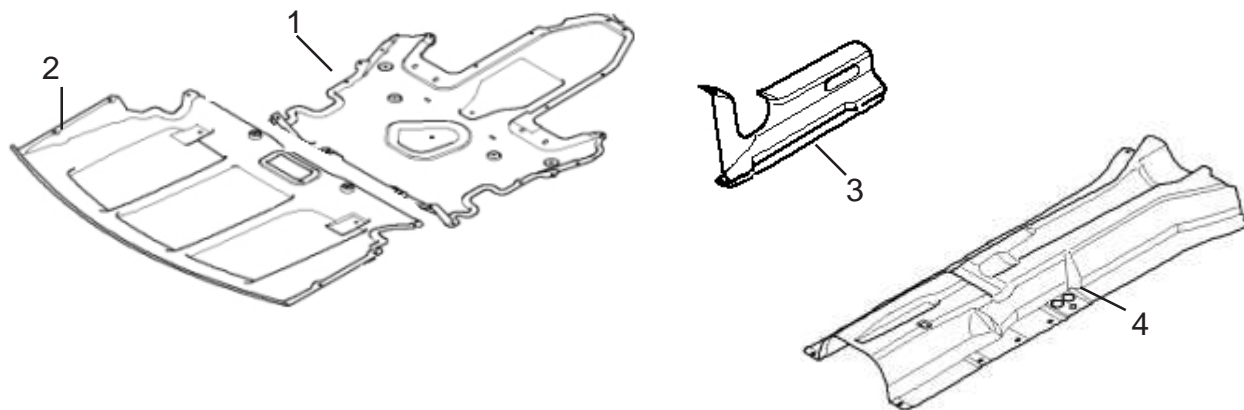
P O S	Description	Part number	B6 Coupé	B6 Cabrio	RL	R E M
1	Set floor mats	51 43 793	1			a
1	Set floor mats	51 43 797		1		a
1	Set floor mats	51 43 795	1		x	a
1	Set floor mats	51 43 799		1	x	a
2	Floor mat driver's side FL	51 43 794	1			a
2	Floor mat driver's side FL	51 43 798		1		a
2	Floor mat driver's side FR	51 43 796	1		x	a
2	Floor mat driver's side FR	51 43 796		1	x	a
3	Trunk mat	51 43 791	1			b
3	Trunk mat	51 43 792		1		b

a) please indicate colour!
b) dark grey



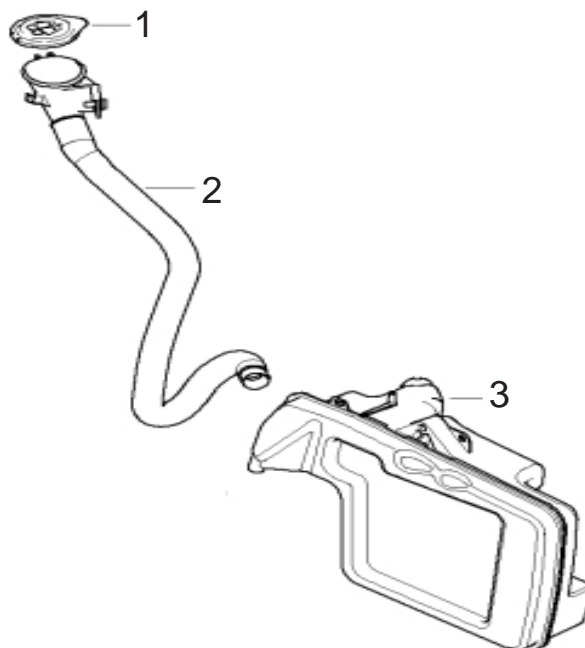
P O S	Description	Part number	B6 Coupé	B6 Cabrio	RL	R E M
1	Intake port right	13 70 721	1	1		
2	Connecting bar	51 64 617	1	1		
3	Support hood catch	51 64 7 008 851	1	1		
4	Left air guide	51 71 633	1	1		
4	Left air guide	51 71 705	1	1		a
5	Right air guide	51 71 634	1	1		
5	Right air guide	51 71 706	1	1		a
6	Hex bolt with washer M6x21	07 14 7 119 148	2	2		
7	Clip nut	51 12 7 070 202	10	10		
8	Rivet	07 12 1 908 077	2	2		
9	Hex bolt with washer M6x18	41 61 8 172 499	8	8		
10	Lower air guide	51 71 635	1	1		
10	Lower air guide	51 71 704	1	1		a
11	Cover for compressor pulley	51 47 657	1	1		
to11	Screw for cover	41 61 8 256 854	4	4		
12	Support 1 pulley cover	51 47 658	1	1		
13	Support 2 pulley cover	51 47 659	1	1		
14	Upper connection bar	51 64 631	1	1		
15	Fillister head screw M6x28	63 12 7 068 171	4	4		
16	Upper cross connection	51 64 623	1	1		
17	Upper air guid	51 71 655	1	1		

a) 09/07 and up

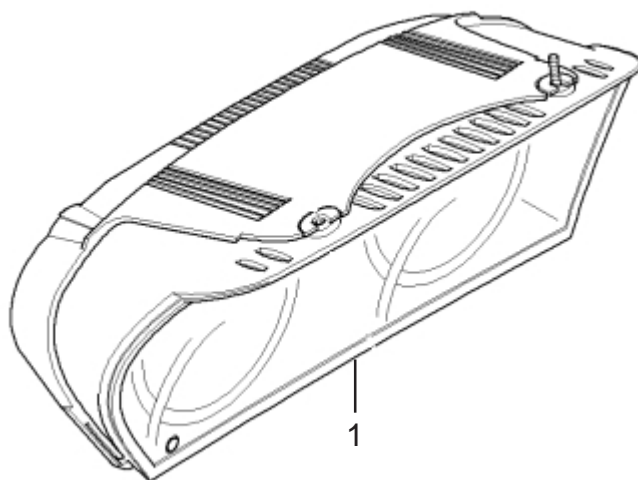


POS	Description	Part number	B6 Coupé	B6 Cabrio	RL	REM
1	Rear damping cover	51 75 600	1	1		a
1	Rear damping cover	51 75 607	1	1		b
2	Front damping cover	51 75 604	1	1		
3	Left transmission cover	51 48 611	1	1		
4	Heat isolation tank	51 48 7 898 124	1	1		

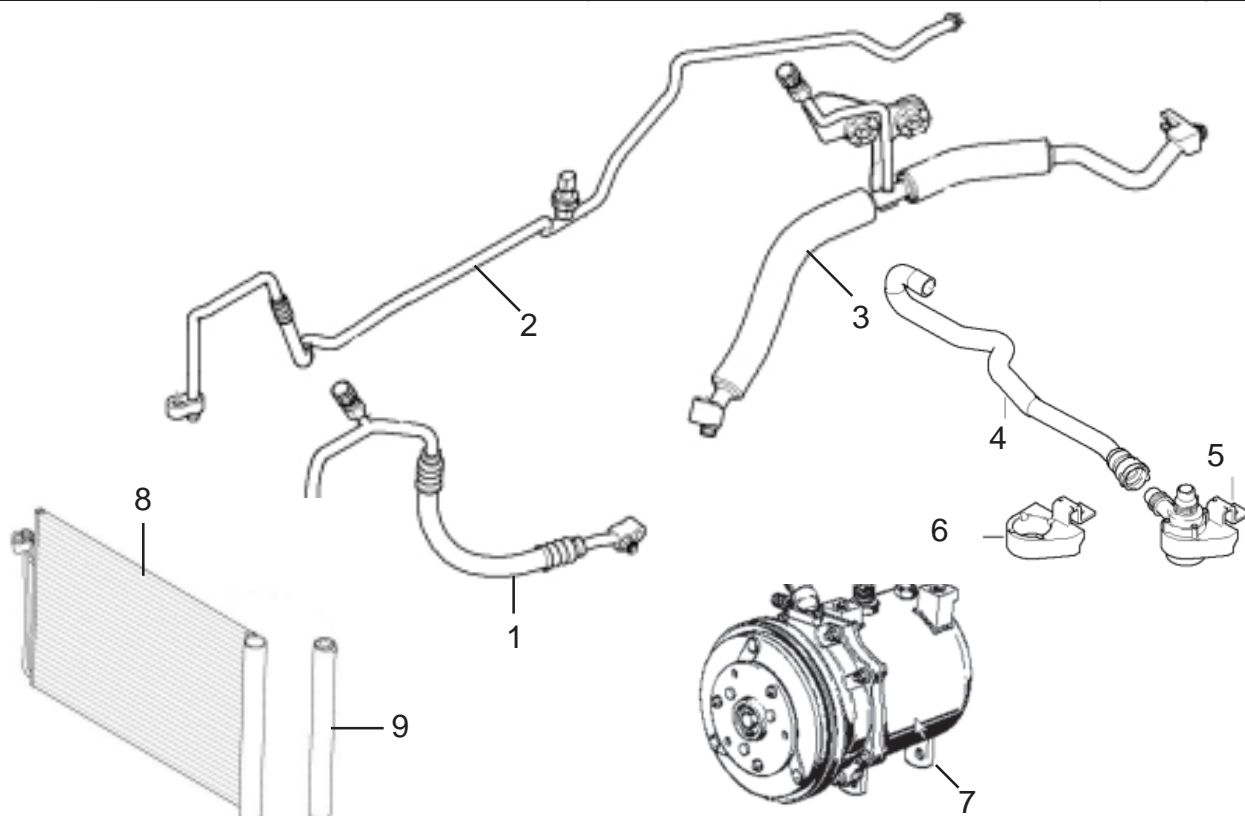
a) Cold country specification without SA 823
b) Hot country specification with SA 823



POS	Description	Part number	B6 Coupé	B6 Cabrio	RL	REM
1	Cover windshield cleaning container	61 66 7 007 880	1	1		
2	Connector for filler pipe	61 66 7 896 455	1	1		
3	Windshield cleaning container	61 66 7 896 393	1	1		

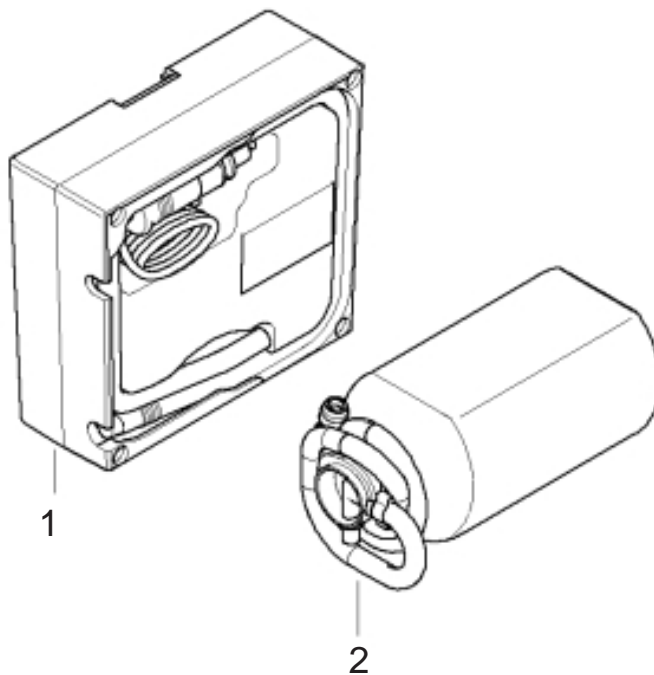


POS	Description	Part number	B6 Coupé	B6 Cabrio	RL	REM
1	Cluster gauge km/h	62 10 776	1	1		W
1	Cluster gauge km/h	62 10 786	1	1		W
1	Cluster gauge km/h	62 10 803	1	1		W
1	Cluster gauge mp/h	62 10 777			1	W
1	Cluster gauge mp/h	62 10 787			1	W
1	Cluster gauge mp/h	62 10 804			1	W



POS	Description	Part number	B6 Coupé	B6 Cabrio	RL	REM
1	Pressure pipe compressor - condenser	64 50 691	1	1		
2	Pressure pipe evaporator - condenser	64 50 692	1	1		
3	Suction pipe evaporator - compressor	64 50 693	1	1		
4	Water hose inlet complementary water pump	64 21 502	1	1		
5	Complementary water pump	64 21 603	1	1		
6	Bracket complementary water pump	64 21 501	1	1		
7	A/C compressor with clutch	64 52 6 947 132	1	1		a
7	A/C compressor without clutch	64 52 9 122 705	1	1		a
8	Condenser air conditioning with drier	64 50 709	1	1		
9	Drier insert	64 53 6 907 403	1	1		

a) 03/07 and up



P O S	Description	Part number	B6 Coupé	B6 Cabrio	RL	R E M
1	M Mobility Kit	71 10 2 282 822	1	1		
2	Sealing bottle	71 10 2 282 826	1	1		

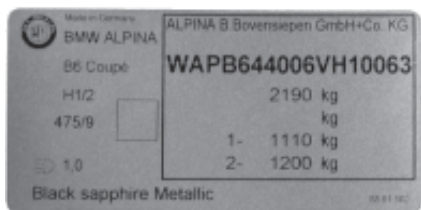


BMW ALPINA B6 Coupé
BMW ALPINA B6 Cabrio

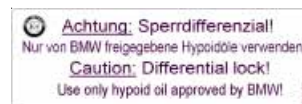
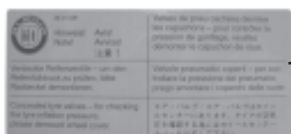
Information stickers

page
1

group
88



BMW ALPINA B6 Coupé	Wagenart	Wagenmodell	Wagennummer	Wagenfarbe	Wagenfarbe
2004-01-2005-12-31	Wagenart Coupé 2	Wagenmodell B6	Wagennummer 1-2	Wagenfarbe 1	Wagenfarbe 2
2004-01-2005-12-31	Wagenart Coupé 2	Wagenmodell B6	Wagennummer 1-2	Wagenfarbe 1	Wagenfarbe 2
2004-01-2005-12-31	Wagenart Coupé 2	Wagenmodell B6	Wagennummer 1-2	Wagenfarbe 1	Wagenfarbe 2
2004-01-2005-12-31	Wagenart Coupé 2	Wagenmodell B6	Wagennummer 1-2	Wagenfarbe 1	Wagenfarbe 2
2004-01-2005-12-31	Wagenart Coupé 2	Wagenmodell B6	Wagennummer 1-2	Wagenfarbe 1	Wagenfarbe 2
2004-01-2005-12-31	Wagenart Coupé 2	Wagenmodell B6	Wagennummer 1-2	Wagenfarbe 1	Wagenfarbe 2



POS	Description	Part number	B6 Coupé	B6 Cabrio	RL	REM
1	Identification number	88 01 102	1	1		
2	Sticker "JAPANMODELL"	88 01 110	1	1		
3	Tyre pressure sticker	88 01 191	1			
3	Tyre pressure sticker	88 01 192		1		
4	Sticker "invisible valves"	88 01 081	1	1		
5	Sticker Super Plus ROZ/RON 98	88 01 160	1	1		
6	Sticker Unleaded Petrol RON 95	88 01 161	1	1	x	a
7	Protective film identification number	51 71 632	1	1		
8	Sticker "Heckspoiler 41 00 784"	88 01 197		1		
8	Sticker "Heckspoiler 41 00 827"	88 01 234		1		c
8	Sticker "Heckspoiler 41 00 762"	88 01 198	1			
8	Sticker "Heckspoiler 41 00 825"	88 01 233	1			c
9	Sticker spark plug "NGK PFR7B"	88 01 152	2	2		
10	Sticker oil level rear axle	88 01 187	1	1		
11	Sticker "locking differential"	88 01 210	1	1		b

a) only SA 812 (GB) and SA 802 (Korea)
b) only with SA 209A (locking differential)

c) 09/07 and up



BMW ALPINA B6 Coupé
BMW ALPINA B6 Cabrio

Owner's manual/
Special parts

page
2

group
88



1



2



3



4



5

P O S	Description	Part number	B6 Coupé	B6 Cabrio	RL	R E M
1	Supplementary owner's manual German	88 03 372	1	1		
1	Supplementary owner's manual German	88 03 421	1	1		a
1	Supplementary owner's manual English	88 03 373	1	1		
1	Supplementary owner's manual English	88 03 422	1	1		a
2	Service booklet German	88 03 377	1	1		
2	Service booklet English	88 03 378	1	1		
3	Briefcase	76 00 160	1	1		
4	Key tag	51 00 296	1	1		
5	Radio remote control	on request	1	1		

a) 09/07 and up