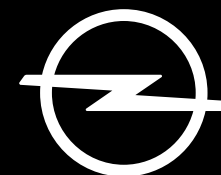


MOKKA



2018 Models Edition 1



IT'S YOUR LIFE, GO DRIVE IT.

'X' hints at everything that is exciting in the MOKKA X.

Xtra height, with that Xtra feelgood factor of driving high and mighty above the crowd.

Xtra traction, whether you're on the motorway, nipping around town or going off-road – it stays confidently on track.

Xtra muscle, with an intelligent four-wheel drive system that gives MOKKA X improved stability, traction and handling. Ideal when you're faced with the worst the Irish weather can throw at you.

And let's not forget all its Xtra clever technology. On the safety front there's LED Adaptive Forward Lighting, hill start assist, while inside you'll find a redesigned interior with touchscreen infotainment and Opel OnStar on SC and Elite models.

So you can see, that whatever your lifestyle, MOKKA X is ready to bring something Xtra.





MOKKA X

LIVE THE HIGH LIFE.

Underneath that rugged exterior, MOKKA X shows off plenty of sophistication. Here's a taste of the highlights – beginning with some clever headlights:

1. **LED Adaptive Forward Lighting** tailors the shape of your headlights' beam for up to nine different driving situations, giving you optimum visibility at all times. Be enlightened on page 13.
2. **Opel OnStar** doesn't just give you Wi-Fi on the go, it's also a 24/7 onboard personal assistant with full GPS that can connect you with a real person in the event of an emergency, or even just give you directions if you're lost. More information on the services provided on pages 16-19.
3. **4X4 intelligent four-wheel drive** will automatically distribute the power between the front and rear wheels to optimise MOKKA X's traction in difficult conditions, giving even greater grip. Steer your way to page 10.
4. **Radio 4.0 IntelliLink or Navi 900 IntelliLink.** Stay informed and entertained with state-of-the-art infotainment systems, featuring large touchscreen interfaces that seamlessly integrate your digital devices using either Apple CarPlay™ or Android Auto™. Fast forward to page 21.
5. **Ergonomic seats**, specially certified by the AGR*, with extendable thigh support and an adjustable lumbar area to support you in all the right places and keep your back healthy. Just sit back and relax.
6. **Accessories.** From a FlexConnect tablet holder to a convenient Cargo Organiser, Opel have put together some clever accessories to make life on the road easier. To discover more head to pages 34-35.

*AGR (The Campaign for Healthier Backs) is an independent centre of excellence for ergonomics, based in Germany.

Apple CarPlay and Apple are trademarks of Apple Inc., registered in the U.S. and other countries. Android is a trademark of Google Inc.

2.

3.

1.





4.



5.



6.

CONTENTS.

- 06–07 BOLD EXTERIOR DESIGN
- 08–09 PREMIUM INTERIOR DESIGN
- 10–11 HIGH-PERFORMANCE DRIVING
- 12–13 SAFETY INNOVATIONS
- 14–15 EFFICIENCY
- 16–19 ONSTAR – YOUR PERSONAL ASSISTANT
- 20–21 SLICK CONNECTIVITY
- 22–27 THE MOKKA X TRIM LEVELS
- 28–29 STYLING
- 30–31 ACCESSORIES
- 32–33 COLOURS AND TRIMS
- 34–35 WHEELS
- 36–37 SPECIFICATION
- 38–39 TAKE A TEST DRIVE

This brochure covers MOKKA X S, SC and Elite models only. Some of the models shown include options and accessories available at extra cost. And not all of the features described are available on every model. We may also offer alternative MOKKA X models such as Special Editions.
So for all current model or equipment details visit the Opel website: www.opel.ie

TAKES TOWN AND COUNTRY TO A DIFFERENT CLASS.

New MOKKA X brings premium design and practicality to the street smart SUV.

Nicely compact with a muscular shape, it not only looks and drives great in the city, but has the ride height and big alloy wheels to go off-road with confidence.

1. **Xtra all-round.** In every detail, MOKKA X shows off urban style with a rugged attitude.
2. **Ready for action.** Useful features like roof rails enhance MOKKA X's poised and sporty look.
3. **Let the outdoors in.** The big optional glass sunroof adds to the great sense of space inside.





FEELS GOOD INSIDE.

Step into the MOKKA X, and the first thing you'll notice is its premium quality and elegant minimalism.

Its airy, uncluttered cabin and fascia give you a true sense of spaciousness, heightened by MOKKA X's elevated position that gives you a clear view of the road ahead.

Detailed refinement and quality continue throughout the cabin. Deeply contoured ergonomic seats*, smart technology and thoughtful features show off the careful design that has gone into the MOKKA X interior.

Storage space is also generous and clever, with improved arrangements that are even more useful.

Throughout the cabin, delicate curves complement the high-quality trim to highlight the cool, calm and comfortable feel of MOKKA X's interior. Welcome inside.

*Standard on Elite models only.

1. **Clarity and style.** The clean, uncluttered layout of the centre console with the integrated IntelliLink touchscreen display makes it easy to find key controls at a glance.
2. **Practical technology.** Complementing the IntelliLink touchscreen display, the driver display in the instrument cluster shows up trip computer functions loud and clear.
3. **Crafted with care.** Stylish facia stitching shows off the MOKKA X's quality in even the smallest of details.





IT GRIPS YOU.

Whether you're driving around tight city streets or up steep country lanes, MOKKA X is made for the challenge.

Combining brains with brawn, optional 4X4 intelligent four-wheel drive technology gives MOKKA X greater traction, stability and control using sensors to continuously monitor the car's grip.

As the road surface changes, the 4X4 system automatically distributes drive between the front and rear wheels to optimise road holding.

But the high-tech doesn't end there.

The hill start assist, which comes as standard, will stop you rolling back on steep hills by automatically releasing the brakes as you pull away, while with a descent control system you can take your MOKKA X 4X4 off-road and safely control your speed on steep downhill gradients without having to brake.







MOKKAX

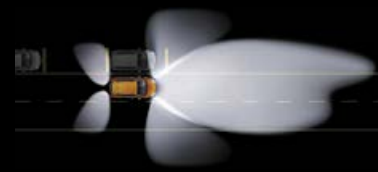
LIGHTS WITH BRIGHT IDEAS.

MOKKA X is one of the first SUVs to offer full LED Adaptive Forward Lighting (AFL). This literally brilliant LED technology automatically adjusts an array of LED beams to illuminate different hazards, depending on the kind of driving or manoeuvre you're performing.

Here's how it works. The AFL headlights on the MOKKA X feature six LED elements that light the road 30% brighter than standard halogen lights, giving you a better chance to see hazards sooner and giving you more time to react in an emergency. The AFL LED system uses data such as the MOKKA X's speed, steering angle and indicators to choose the best lighting pattern.



Energy saving mode. Switches off the cornering lights to save energy when the MOKKA X's Start/Stop mode is on.



Parking light. In reverse gear, this switches on the front cornering light on both sides of the car so it makes it easier for you to get in and out of parking spots.



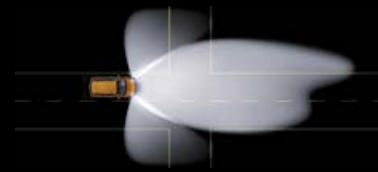
Static cornering light (up to 40km/h). When you indicate and turn the steering wheel past a certain angle extra AFL LED lights come on to show what's around the corner.



Dynamic curve light (40 to 70km/h). Above a certain steering angle, extra cornering AFL LED lights give you an illuminated view around higher-speed curves.



High beam assist. This safety feature automatically dips your headlights when the AFL LED system detects other vehicles approaching.



Country light. Above 55km/h, a longer, broader, dazzle-free, low-beam light helps to illuminate any upcoming roadside hazards.



Urban light. At speeds under 55km/h, a wider spread of light shows more of the roadside to help show up pedestrians or other potential hazards.



High beam. Powerful illumination on top of the LED low beam – gives you full-on lighting for maximum visibility at night and on low-lit roads.

Tourist mode*. If you're driving on the continent, to avoid dazzling oncoming traffic the headlights automatically angle slightly downwards.

*When activated.



MOKKA X

EFFICIENCY WHERE IT COUNTS.

You know what they say – power is nothing without control.

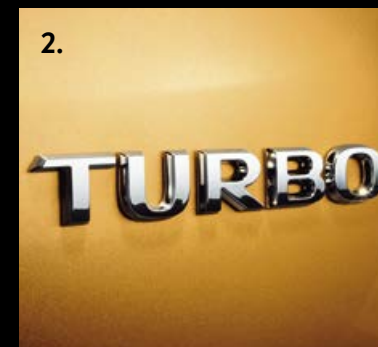
Which is why Opel developed intelligent 4X4 technology and new, fuel-efficient engines for the MOKKA X, including a powerful 6-speed automatic.

The MOKKA X delivers:

- A tough yet lightweight chassis for exceptional agility
- Impressive driving performance, both on and off-road
- Low-noise, high-power diesel technology
- Impressive engine technology for reduced emissions and lower fuel costs

Go on – just put MOKKA X to the test and we're sure you'll have nothing but a smile on your face.

1. **The top-of-the-range engine.** Power and poise, with 4X4 AWD, a 6-speed automatic transmission, Start/Stop and 152PS.
2. **No compromises here.** Our 1.4i petrol turbo is powerful for its relatively small size, giving great fuel economy without compromise on performance and muscle.
3. **A nice change.** Choose the convenient 6-speed automatic or a hands-on 5 or 6-speed manual for amazing response with powerful control.





YOUR 24/7 PERSONAL CONNECTIVITY AND SERVICE ASSISTANT.

Opel OnStar¹ is a premium service that makes you feel connected, safe and cared for, virtually everywhere in Europe and 24/7, 365 days a year: enjoy top-of-the-range features such as the 24-Hour Emergency Call Service, your own Personal Assistant and a fast in-car Wi-Fi Hotspot². Welcome to the service upper class.

¹ OnStar services require activation and account with OnStar Europe Ltd. Charges apply after applicable trial period. All services subject to mobile network coverage and availability. The OnStar subscription packages could be different from the services included in the free trial package. Check www.opel.ie/onstar for details of availability, coverage and charges. Terms and conditions apply. ² Opel are not responsible for the provision of OnStar services or Wi-Fi services. Once available, Wi-Fi Hotspot services will require account with OnStar Europe Ltd. and nominated network operator. Wi-Fi trial will have a time limit and capped data allowance. Charges will apply thereafter. All services subject to mobile network coverage and availability. www.opel.ie/onstar. ³ An OnStar advisor can help you to book a hotel room using Booking.com, subject to the Booking.com user terms and privacy statement, which can be found on the Booking.com website, and the applicable terms and conditions for your hotel. OnStar assists you to make a booking and is not responsible for the services provided by Booking.com or the applicable hotel. E-mail address and credit card required.





CARED FOR

Who wouldn't want a personal assistant? At the touch of a button, you will be connected to an advisor who is at your service 24/7/365.

- **Hotel Booking**^{1,3}: plans changed? Or too tired to keep driving? Let our advisors take care of your hotel booking en route, powered by Booking.com. Just press the blue Service Button.
- **Destination Download**^{1,4}: no more address typing! Our advisors assist you in finding an alternative route, a restaurant or a petrol station. They will remotely download the address onto your in-built navigation system, too.
- **Vehicle Diagnostics**^{1,4}: not sure what a sudden light in the dashboard means? Just ask the advisors to remotely check key systems in your car, in real time.
- **Parking Service**^{1,5}: never search for a parking space again! Via Parkopedia.com, OnStar finds and leads you to the next vacant parking spot. This way, you already know availability and parking fees before you get there.

⁴ Some elements of Smartphone App, Destination Download and Vehicle Diagnostics may not be available for all cars/trim levels. An embedded Opel navigation unit and map data are requirements for the Destination Download service. Check www.opel.ie/onstar for service limitations and charges. ⁵ Only available for car parks listed in Parkopedia.com. Availability applies only to the moment of contact with OnStar. ⁶ OnStar will direct a professional breakdown recovery team to your location. If your car is within the Opel New Vehicle Roadside Assistance coverage period, OnStar will connect with the Opel Roadside Assistance service, who will send help free of charge, subject to the Opel Roadside Assistance terms and conditions. If your vehicle is outside the coverage of the Opel New Vehicle Roadside Assistance service, the provider of the breakdown recovery service may apply charges for the services provided.



SAFE

Better safe than sorry! OnStar's specially trained advisors are there for you anytime and anywhere.

- **Automatic Crash Response**¹: in case of a crash, our advisors automatically connect to your car. If needed, they immediately brief the emergency services with passenger and key car information and can send them to your exact location.
- **24-Hour Emergency Call Service**¹: you, a passenger or a passer-by are not feeling well? Push the red SOS Button and our advisors make sure to send help right away.
- **Roadside Assistance**^{1,6}: if you have a flat tyre or a warning light in the dashboard goes on, just contact our advisors and they will send Roadside Assistance to your location, if required. This is even more valuable in areas with weaker mobile phone coverage or if your smartphone has run out of battery.
- **Stolen Vehicle Assistance**¹: in case your car gets stolen, OnStar blocks the ignition so the car can't be restarted again and provides the police with GPS data to help retrieve your car safely.



CONNECTED

In a connected world, so much is possible – and Opel is making sure you are fully equipped.

- **Wi-Fi Hotspot**^{1,2}: a fast and stable Internet connection enables you and your passengers to work, surf or just stream movies on up to seven devices – thanks to the powerful OnStar roof antenna.
- **Remote Control**^{1,4}: if you forgot to lock your car, you can use your smartphone to remotely lock or unlock it, even from afar, thanks to the **myOpel Smartphone App**.
- **Car Locator**^{1,4}: forgot where you've parked? Pinpoint your car's location on the app. If you are close and still do not see it, just blink the headlamps or honk the horn to see where you've parked.

HOW CAN I GET ONSTAR?

OnStar is standard on both Mokka X SC and Elite models.

TO GET IT:

- 1 Request OnStar when you order your new Opel Mokka X.
- 2 OnStar will send you an e-mail invitation so you can activate your account.
- 3 Complete your registration online and set up your preferences.
- 4 OnStar is ready to go!

After the 12-month free trial period¹, you can decide to order a continuation of the OnStar services. This will be subject to a fee.

You can purchase Wi-Fi Hotspot data packages separately from the nominated network provider by following the instructions on opel.ie/onstar/aftermytrial. Charges apply after the free trial period.

To find out more, visit www.opel.ie/onstar



Your privacy, your call. You are in control of which information you want to share with us. Only in emergency cases, OnStar can override this. More information on www.opel.ie/onstar



HOW MYOPEL SERVICES DO MORE FOR YOU.

myOpel is your one-stop shop to manage everything to do with your Opel – from your OnStar account to organising your vehicle's next service to rewards and exclusive offers. Everything is targeted to you and the Opel you drive.

- Manage your Opel – take care of your Opel online and book a service and track service history.
- Access your OnStar services – get diagnostics reports, manage your subscription and more.
- Exclusive offers – stay up to date on special offers, latest news and current events.
- Dealer locator – find your nearest Opel Dealer.

If you already are an Opel OnStar customer, you can access all the myOpel services. Otherwise, you can register for myOpel by following these easy steps:

- 1 When you order your car, your dealer will go through a simple pre-registration with you.
- 2 We will send you an e-mail invitation so you can activate your account.
- 3 Complete your registration online.
- 4 myOpel is ready to go!



To easily access myOpel from your smartphone, just download the app from the Google Play Store or from the Apple App store.

Illustrative example.

¹Free trial periods start with first registration or delivery from the Opel dealer, whatever comes first, independent of customer activation.



STAY CONNECTED, WHEREVER YOU ROAM.

The MOKKA X is one of the best-connected, smartest SUVs in its category. With OnStar¹ onboard you have a powerful Wi-Fi Hotspot² at all times, so you can make full use of your digital devices, anytime and anywhere. And in addition every MOKKA X features Bluetooth[®] connectivity for hands-free phoning and audio streaming. What's more, with IntelliLink as standard on most models too, you can display features from your smartphone³ to the touchscreen on the fascia. State-of-the-art connectivity, keeping you informed and entertained while on the move.



1. **Radio 300 BT.** Far from a standard infotainment offer, the Radio 300 unit features Bluetooth[®] connectivity for phone and music streaming. Alternatively you can simply use the aux-in or USB facility to plug in your smartphone or MP3. There's also a DAB/FM/AM radio, while everything is easy to operate through a clear and concise graphic information display.
2. **The Radio 4.0 IntelliLink⁴** can project your smartphone apps to the 7-inch touchscreen display. This includes your phone's contacts, messaging, music (inc. Spotify), radio (inc. Tune-In), podcast, navigation apps (e.g. Apple Maps for iPhone or Google Maps for Android) among many more. All of these can be accessed via the touchscreen, or you can use Siri (iPhone) or Google Now (Android) voice command for phone, messaging, music, maps and calendar³.
3. **Top-of-the-range sat nav.** On top of Radio 4.0 functionality, the optional 8-inch Navi 900 IntelliLink⁵ includes a fully-fledged navigation system with bird's eye view mode. You can choose destinations through the integrated voice command mode, the touchscreen or select places from your favourites.



¹For details of Opel OnStar, please see pages 16 to 19. ²Wi-Fi Hotspot service requires account with OnStar Europe and nominated network operator. Charges apply after the free trial period. ³Compatibility and certain functionalities may differ depending on type of device and version of operating system. ⁴Standard on SC models. ⁵Standard on Elite and optional on SC models. Apple CarPlay and Apple are trademarks of Apple Inc. registered in the U.S. and other countries. Android is a trademark of Google Inc.



Summit White brilliant paint, optional at extra cost.

MOKKA X S.

Rising to every challenge, the MOKKA X S comes well equipped from the word go, giving you premium features like digital radio, hill start assist, LED daytime running lights, air conditioning and Bluetooth® connectivity.

Standard features include:

Infotainment

- Radio R 300 BT with DAB/FM/AM radio
- Bluetooth® phone and music streaming
- USB and aux-in connection for smartphone/MP3 music connectivity
- Graphic information display
- Steering wheel mounted audio controls for phone, music and cruise control

Interior/styling features

- Cruise control
- Steering column adjustable for reach and rake
- 60/40 split flip and fold rear seat
- Air conditioning

Exterior/styling features

- Automatic lighting control
- Electrically adjustable/heated door mirrors
- Electrically operated front windows
- Remote control central locking
- 16-inch steel wheels with flush covers

Safety features

- Switchable electronic stability programme
- Anti-lock braking system
- LED daytime running lights
- Hill start assist
- Emergency brake assist
- Adaptive brake lights
- Straight line stability control
- Cornering brake control
- Rollover mitigation
- Traction control
- Electronic brakeforce distribution
- Six airbags
- Two rear seat ISOFIX restraints
- Tyre pressure monitoring system



Engine availability

1.6i (115PS) Start/Stop FWD



1.4i Turbo model illustrated. Mineral Black two-coat metallic paint, optional at extra cost.

MOKKA X SC.

Building on the brilliant standards set by MOKKA X S, the MOKKA X SC upgrades the audio to the Radio 4.0 IntelliLink system. SC 4X4 models also get intelligent four-wheel drive and the descent control system.

Standard features over and above S models include:

Infotainment

- Opel OnStar personal assistant with Wi-Fi, emergency and crash response, destination download*, smartphone vehicle diagnostics app, stolen vehicle alert and roadside assistance call-out**
- Radio 4.0 IntelliLink system with 7-inch colour touchscreen
- Apple CarPlay™ and Google Android Auto™ app projection
- Siri/Google Now voice command for phone, messaging, music, maps and calendar
- Bluetooth® phone, messaging and music streaming

Interior/styling features

- Dual-zone electronic climate control
- Front centre armrest
- Leather-covered steering wheel

Exterior/styling features

- Rain-sensitive windscreen wipers
- Front and rear parking distance sensors
- Electrically operated rear windows
- Electrically foldable door mirrors
- High beam assist
- Front fog lights
- 17-inch alloy wheels with 215/60 R 17 tyres

4X4 models additionally feature:

- Intelligent four-wheel drive
- Descent control system



Engine availability

1.6i (115PS) Start/Stop FWD
1.4i Turbo (140PS) Start/Stop ECOTEC FWD
1.4i Turbo (140PS) auto FWD
Diesel
1.6CDTi (136PS) Start/Stop FWD
1.6CDTi (136PS) auto FWD
1.6CDTi (136PS) Start/Stop 4X4

*Destination Download is available on carlines with an embedded Opel navigation system.

**Subject to your vehicle being within its Opel Roadside Assistance cover period.

Apple CarPlay and Apple are trademarks of Apple Inc. registered in the U.S. and other countries. Android is a trademark of Google Inc.



1.4i Turbo model illustrated. Velvet Red two-coat premium paint optional at extra cost.

MOKKA X ELITE.

Taking premium features to the max, the MOKKA X Elite tops the range with an extended list of extras over and above SC. Elite gives you leather seat facings, ergonomic sports front seats, electrically heated steering wheel and front seats, as well as a rear seat armrest with drinks holders and dark-tinted rear windows for that true luxury feel.

Standard features over and above SC include:

Infotainment

- Navi 900 IntelliLink satellite navigation system (embedded for use with OnStar)
- 8-inch colour touchscreen
- Voice command for audio and integrated navigation

Interior/styling features

- Leather-covered ergonomic sports front seats with extendable cushions
- Four-way electric lumbar adjustment
- Electrically heated front seats
- Electrically heated steering wheel
- Rear seat centre armrest with drinks holders

Exterior/styling features

- Dark-tinted rear windows
- 18-inch multi-spoke alloy wheels with 215/55 R 18 tyres
- Alloy-effect door sill covers
- Chrome-effect side window trim

4X4 models additionally feature:

- Intelligent four-wheel drive
- Descent control system



Engine availability

1.6i (115PS) Start/Stop FWD
1.4i Turbo (140PS) Start/Stop FWD
1.4i Turbo (140PS) auto FWD
1.4i Turbo (140PS) Start/Stop 4X4
1.4i Turbo (152PS) Start/Stop auto 4X4
Diesel
1.6CDTi (136PS) Start/Stop FWD
1.6CDTi (136PS) auto FWD
1.6CDTi (136PS) Start/Stop 4X4



MOKKA X

STYLING ACCESSORIES.

Treat your MOKKA X to a powerful look with our range of tailored styling accessories to enhance its sporty look.

Styling accessories* for MOKKA X include sleek roof spoilers, anti-slip side steps and skid plate inserts for front and rear.

1. **Roof spoiler.** Sleek and aerodynamic, this spectacular addition cranks up the downforce and tightens your grip.
2. **Anti-slip side steps.** Stand on these to get things on or off the roof. Looks-wise, they add muscle and kids like to use them to get in and out.
3. **High but low.** Styling inserts highlight the skid plates.



*Available at extra cost.



BRING IT ON.

New MOKKA X is made for all kinds of adventures – big and small, extraordinary and day-to-day – so we've put together some accessories to make life on the road easier.

1. **Hard cargo tray.** When you've lots of smaller items to load, this made-to-measure tray is a must. High-edged, flexible and washable, it has a non-skid surface to keep loads in one place, and to help keep the luggage area clean and tidy.
2. **Ski and snowboard carrier.** Perfect for snow sports fans – carry up to six pairs of skis or up to four snowboards using this tough, secure carrier which is tailored for MOKKA X.
3. **Cargo organiser.** This collapsible organiser stops things you're carrying from moving around when you're on the road, keeping everything in its right place.
4. **FlexConnect tablet holder.** Ideal device holder for passengers, so you can mount tablets up high to watch movies, or lower for reading and typing.
5. **FlexConnect folding table.** Whatever your cup of tea, coffee or juice, snap down this foldaway table and it'll hold your drink nice and steady, with plenty of room to write, read or have a bite to eat.
6. **DUO ISOFIX child seat.** For young families on the go, a child seat is essential. Ideal for little ones weighing 9-18kg, can be attached using the standard ISOFIX child seat restraint fittings.

For a complete choice of our storage and FlexConnect accessories for New MOKKA X, visit opel.ie/accessories



GIVE IT SOME STYLE, INSIDE AND OUT.

As you'd imagine for a style leader like MOKKA X, it comes in a striking array of exterior colours and interior fabrics to create an individual look.

For body colours, MOKKA X shows off a palette of gleaming metallic and premium finishes, complemented by stylish interior fabrics and décor mouldings. These give you an inspiring choice of combinations to mix and match an individual character for your MOKKA X.



**Royal Blue
Solid**



**Lava Red
Brilliant****



**Summit White
Brilliant****



**Amber Orange*
Premium****



**Quantum Grey*
Metallic****



**Boracay Blue*
Metallic****



**Mineral Black
Metallic****



**Coppertino*
Premium****



**Velvet Red*
Premium****



**Sovereign Silver
Metallic****



**Abalone White*
Tri-coat Premium****

*Not available on S models.

**Optional at extra cost.

†Not available with Royal Blue, Lava Red, Boracay Blue and Amber Orange exterior colours.

Due to the limitations of the printing process, the colours reproduced may vary slightly from the actual paint colour and trim material. As a result, they should be used as a guide only. Your Opel dealer has a comprehensive display of paint samples.



1. **S and SC models.** Jet Black Milano seat fabric. Décor mouldings in Piano Black and Tioga Grey with Galvano Chrome inlays.
2. **Elite models.** Ergonomic, back-friendly sports front seats with Jet Black Jasmine leather seat inserts and Jet Black Morrocana bolsters. Décor mouldings in Ruthenium and Jet Black with Galvano Chrome inlays.
3. **Elite models (no-cost option)†.** Ergonomic, back-friendly sports front seats with Morello Red Jasmine leather seat inserts and Morello Red Morrocana bolsters. Décor mouldings in Piano Black and Jet Black with Galvano Chrome inlays.



Design your own MOKKA X on [opel.ie/mokkax](https://www.opel.ie/mokkax)



CREATE A CHARACTER.

Wheels are the boots and shoes that finish off the look of your new MOKKA X. And each model comes with its own distinct set of stylish wheel trims or alloys.

Standard wheels

1. **S models** – 16-inch steel wheels with 215/65 R 16 tyres.
2. **SC models** – 17-inch alloy wheels with 215/60 R 17 tyres.
3. **Elite models** – 18-inch multi-spoke alloy wheels with 215/55 R 18 tyres.

Optional alloy wheels

4. **18-inch diamond-cut bi-colour 10-spoke alloy wheels** with 215/55 R 18 tyres (optional at extra cost on Elite models).
5. **18-inch black 10-spoke alloy wheels** with 215/55 R 18 tyres (optional at extra cost on SC and Elite models).
6. **19-inch 5-twin spoke alloy wheels** with 225/45 R 19 tyres (optional at extra cost on SC and Elite models).

Please note: An emergency tyre inflation kit is standard on all MOKKA X models in lieu of a spare wheel. An emergency steel spare wheel and tyre is available on all models as an extra-cost option. Fitting this spare wheel and tyre will reduce luggage capacity.



ENGINES	PETROL			DIESEL
	1.6i (115PS) with Start/Stop	1.4i Turbo (140PS) with Start/Stop*	1.4i Turbo (152PS) with Start/Stop	1.6CDTi (136PS) with Start/Stop*
Capacity	1598cc	1364cc	1399cc	1598cc
Maximum power	115PS (85kW) @ 6200rpm	140PS (103kW) @ 4900-6000rpm	152PS (112kW) @ 5600rpm	136PS (100kW) @ 3500-4000rpm
Maximum torque	155Nm (114 lb.ft.) @ 4000rpm	200Nm (147 lb.ft.) @ 1850-4900rpm	245Nm (180 lb.ft.) @ 2200-4400rpm	320Nm (236 lb.ft.) @ 2000-2250rpm
Configuration	4 cylinders, 4 valves per cylinder, double overhead camshafts			
Fuel/induction system	Naturally aspirated. Variable Valve Timing. Multi-point sequential fuel injection	Turbocharger with intercooler. Variable Valve Timing. Multi-point sequential fuel injection	Turbocharger with intercooler. Variable Valve Timing. Direct fuel injection	Variable geometry turbocharger with intercooler. Common rail fuel injection
Emission compliance	Euro 6			Euro 6 with Diesel Particulate Filter
Service interval	30,000km or 1 year (whichever occurs sooner)			

* = Start/Stop function is not available on automatic models.

PERFORMANCE, FUEL CONSUMPTION AND EMISSIONS

	Performance (manufacturer's figures)		Fuel consumption litres/100km [#]			CO ₂ emissions (g/km) [#]
	Maximum speed km/h	Acceleration (sec) 0-100km/h	Urban driving	Extra-urban driving	Combined figure	
Petrol						
1.6i (115PS) Start/Stop manual FWD SC	170	12.5	8.5	5.5	6.6	153
1.6i (115PS) Start/Stop manual FWD S/Elite	170	12.5	8.6	5.6	6.7	155
1.4i Turbo (140PS) Start/Stop manual FWD SC	196	9.9	7.5	5.0	5.9	138
1.4i Turbo (140PS) Start/Stop manual FWD Elite	196	9.9	7.6	5.1	6.0	140
1.4i Turbo (140PS) automatic FWD SC	191	10.7	8.2	5.1	6.2	144
1.4i Turbo (140PS) automatic FWD Elite	191	10.7	8.4	5.4	6.5	149
1.4i Turbo (140PS) Start/Stop manual 4X4 Elite	186	9.9	8.3	5.6	6.5	152
1.4i Turbo (152PS) Start/Stop automatic 4X4 Elite	193	9.7	7.9	5.7	6.5	150
Diesel						
1.6CDTi (136PS) Start/Stop manual FWD SC	190	9.9	4.6	3.8	4.1	106
1.6CDTi (136PS) Start/Stop manual FWD Elite	190	9.9	4.8	4.0	4.3	114
1.6CDTi (136PS) automatic FWD SC	188	10.9	5.9	4.3	4.9	128
1.6CDTi (136PS) automatic FWD Elite	188	10.9	6.0	4.4	5.0	132
1.6CDTi (136PS) Start/Stop manual 4X4 SC	187	10.3	5.0	4.2	4.5	119
1.6CDTi (136PS) Start/Stop manual 4X4 Elite	187	10.3	5.2	4.4	4.7	124

[#]Fuel consumption information is official government environmental data, tested in accordance with the relevant EU directive. Official EU-regulated test data is provided for comparison purposes and actual performance will depend on driving style, road conditions and other non-technical factors.

TRANSMISSION

Five-speed manual gearbox:

Standard on 1.6i (115PS) models

Six-speed manual gearbox:

Standard on all models except 1.6i (115PS) and 1.4i Turbo (152PS)

Six-speed automatic transmission with Active Select function:

Standard on 1.4i Turbo (152PS) 4X4 models. Available at extra cost on 1.4i Turbo (140PS) and 1.6 CDTi (136PS) front-wheel drive models. Electronically controlled with adaptive driving function and fuel-saving eco mode. Fluid drive with torque converter, lock-up clutch and Active Select.

SUSPENSION

Front: Independent. Lightweight

MacPherson struts with gas-pressure dampers and coil springs. Anti-roll bar.

Rear: Torsion beam with coil springs and gas-pressure dampers.

STEERING

- Speed-sensitive power-assisted steering

BRAKING AND STABILITY

- Switchable Electronic Stability Programme (ESP)
- Cornering brake control
- Straight line stability control
- Rollover mitigation
- Traction control
- Hill start assist
- Anti-lock Braking System (ABS)
- Emergency brake assist
- Electronic brakeforce distribution
- Adaptive brake lights
- Hazard warning lights

All models

Front ventilated discs: 300mm diameter

Rear discs: 268mm diameter

WHEELS AND TYRES

S: 16-inch steel wheels with flush covers and 215/65 R 16 tyres

SC: 17-inch alloy wheels with 215/60 R 17 tyres

Elite: 18-inch alloy wheels with 215/55 R 18 tyres

Elite: 19-inch alloy wheels with 225/45 R 19 tyres are available at extra cost

TYRE RATING

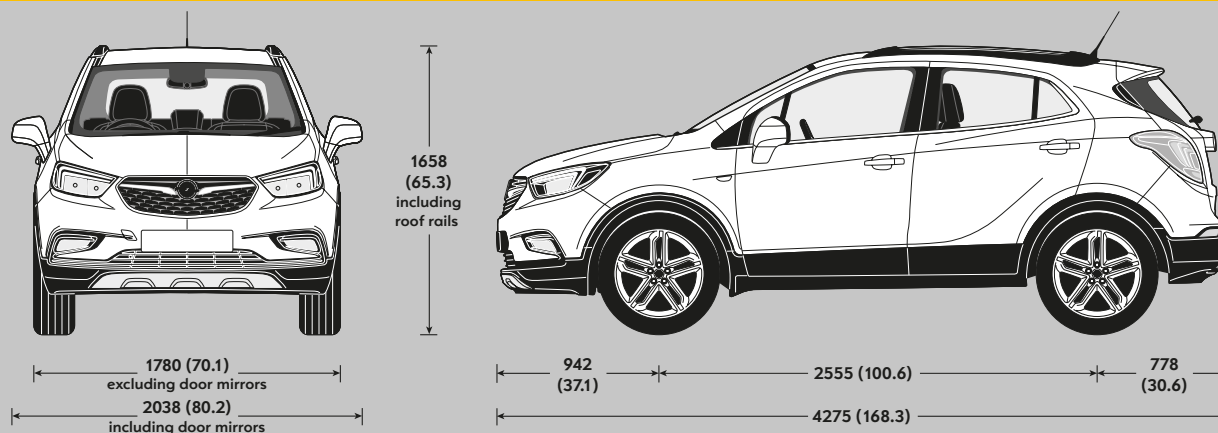
Tyre size	Fuel efficiency group	Wet grip performance	External noise	
			Measured (dB)	Group
215/65 R 16	B	B	71	
215/60 R 17	B-C	B	71	
215/55 R 18	E	B	71	
225/45 R 19	E	A	71	

Tyre rating according to EU Regulation 1222/2009

FUEL TANK CAPACITY

- 53 litres (11.7 gallons) – petrol models
- 52 litres (11.4 gallons) – diesel models

EXTERIOR DIMENSIONS millimetres (inches)



LOADSPACE DIMENSIONS millimetres (inches)

Maximum length (behind rear seats)	731 (28.8)
Maximum length (rear seats folded)	1428 (56.2)
Width between wheel arches	915 (36.0)
Maximum height	808 (31.8)

LUGGAGE CAPACITIES** litres (cu.ft.)

Rear seats up (under luggage compartment cover)	356 (12.6)
Rear seats folded (to upper edge of front seat back)	785 (27.7)
Rear seats folded (to roof)	1305 (46.1)

** = Measured using the ECIE method.

BODY

- Aerodynamic drag co-efficient: Cd 0.35

ANTI-CORROSION WARRANTY

- 12-year body panel anti-perforation warranty

WEIGHTS AND TOWING DATA kg

	Gross vehicle weight	Max. towing weights Trailer with brakes (without brakes)
Petrol		
1.6i (115PS) manual FWD	1789	1200 (500)
1.4i Turbo (140PS) manual FWD	1828	1200 (500)
1.4i Turbo (140PS) automatic FWD	1843	1200 (500)
1.4i Turbo (140PS) manual 4X4	1879	1200 (500)
1.4i Turbo (152PS) automatic 4X4	1915	1500 (500)
Diesel		
1.6CDTi (136PS) manual FWD	1883	1500 (500)
1.6CDTi (136PS) automatic FWD	1896	1500 (500)
1.6CDTi (136PS) manual 4X4	1938	1500 (500)

FWD = Front-wheel drive. 4X4 = Intelligent four-wheel drive. **Gross vehicle weight** is the total permissible weight of the vehicle including passengers and their luggage. The **maximum roof rack loading** should not exceed 75kg. The **maximum towing weights** are based on the ability of the car, with two occupants of 75kg each, to restart on a 12% gradient, which is approximately 1 in 8.3, at sea level. At altitudes above 1500 metres, the engine output may drop with a corresponding reduction in towing capability. Any extra weight, such as luggage or additional passengers, should be deducted from the maximum towing weight. Always fit Opel towing attachments and accessories available from your Opel dealer. They are designed specifically for Opel models and carry a 24-month guarantee.

FIVE REASONS TO LOVE IT.

Like the look of MOKKA X?

Then you'll love to drive it.

Here's five reasons why:

- Large IntelliLink touchscreens with Apple CarPlay™ or Android Auto™, Siri, Google Now (Android) for voice command, phone calls, messaging, music, maps and calendar
- OnStar, your personal assistant with Wi-Fi, emergency and crash response, destination download, smartphone vehicle diagnostics app, stolen vehicle alert and roadside assistance call-out*
- The super-comfortable and spacious interior with advanced ergonomic design and widescreen views
- The safer, smarter drive you get with intelligent tech like LED Adaptive Forward Lighting and hill start assist
- The confident control of this compact SUV's full-on 4X4 drive and serious road grip

That's just five seriously great reasons. There's dozens more.

But don't just take our word for it.

Book yourself a test drive to see, feel and believe it for yourself.

*If your car is outside its Opel Roadside Assistance coverage period or policy terms, the AA may charge you for their services. Apple CarPlay and Apple are trademarks of Apple Inc. registered in the U.S. and other countries. Android is a trademark of Google Inc.



Mokka X

Opel Service.

Europe-wide Customer Service.

Throughout Europe, more than 6,000 Opel repair workshops are ready to provide professional and punctual service. As you'd expect, they'll repair your vehicle to the highest standards. More unusually, perhaps, they'll tell you exactly what's been done and why, and they will show any costs involved clearly and concisely.

New Vehicle Warranty.

Opel Automobile Ireland Limited (referred to as 'Opel') guarantees for motor vehicles of its manufacture, that each vehicle is free from defects according to the state of the art for a period of: The first 2 years carry an unlimited mileage warranty. The 3rd year of warranty has a mileage limitation of 100,000km for Passenger Cars & Car derived vans; for Combo, Vivaro and Movano

the limitation is 150,000km. The warranty is valid from delivery from the supplying Opel Distributor or from first registration, whichever occurs first (warranty start date).

Opel Roadside Assistance.

This free-of-charge mobility service is valid for all new Opel vehicles during the first year after the date on which they were first registered or delivered to the customer by the dealer, depending on which date comes first. No matter where you are, the Opel Assistance is there to help. In more than 40 European countries – round the clock. Offering services such as breakdown assistance, towing services, rental car, hotel accommodation or the organisation of onward transportation, e.g. via rail or air (please see programme conditions).

12-year Anti-Perforation Warranty.

Opel provides you with a reliable long-term warranty against perforation, provided you have your vehicle serviced and all necessary inspections performed according to the service booklet.

2-year Warranty for Opel Batteries.

With a 2-year warranty for service-installed Opel original batteries your starting problems are over – even in the coldest winter.

Parts and Accessories Service.

Opel parts and accessories are available at your local Opel Shop, where you'll find everything to make your vehicle more comfortable or to meet your individual needs, as well as expert advice.

Opel on the Internet.

Need instant information? At www.opel.ie you can access a wealth of information on all Opel cars, services, and accessories. Get online for Opel news and product updates.

Recycling.

Information about Design for Recycling, Take-Back points for End of Life Vehicles (ELVs) and the recycling of ELVs can be found on the Opel website www.opel.ie

In case of any questions, please ask your Opel dealer. More information can be found at www.opel.ie

www.opel.ie

Some feature descriptions in this brochure may refer to, and some illustrations may show, optional equipment not included in the standard delivery. The information contained in this brochure was accurate at the time of going to print. We reserve the right to make changes in design and equipment. The colours printed in the brochure only approximate actual colours. Illustrated optional equipment is available at extra charge. Availability, technical features and equipment provided on our vehicles can vary by model. For precise information on the equipment provided on our vehicles, please contact your local Opel Dealer. As part of Opel's policy of environmental care, this brochure is printed on paper manufactured using Elemental Chlorine Free pulps from specially farmed, sustainable timber resources.