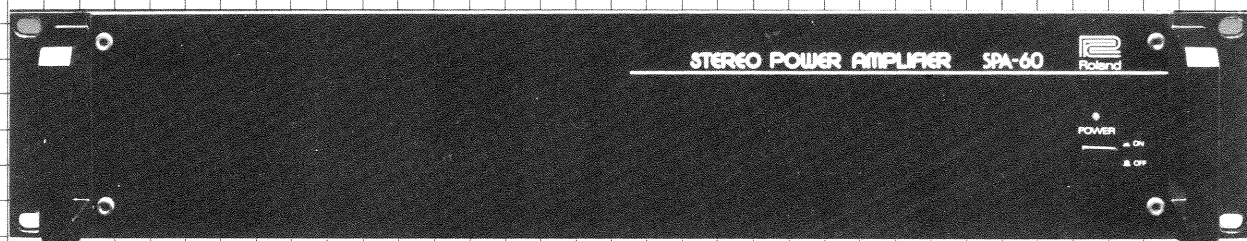


 Roland

# POWER AMPLIFIER SPA-60

OWNER'S MANUAL



# The Roland Rack

## Features

- A versatile stereo power amplifier of 30W + 30W (8Ω) output power and can be used for anything from musical instrument amplification to P.A system.
- Even if only R channel input is in use, both output channels will automatically operate.
- Standard 19" rack mount.

## Before Using

- Make sure the line voltage in your area meets the requirement given in the specifications.
- Check with your local Roland dealer when using this unit in a foreign country.
- Plug the amplifier in before turning on the power switch of SPA-60

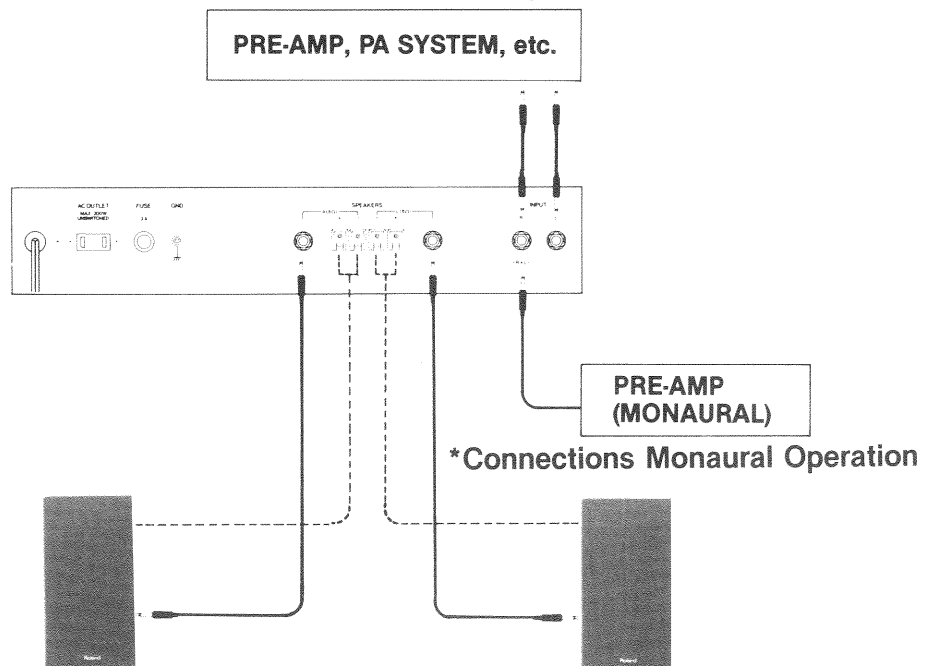
## Precautions

- Make sure the power switch is off before making or breaking connections to this unit or before moving it.
- Allow plenty of air space in front of and behind the amplifier for cooling.
- When more than two SPA amplifiers are used, we recommend to use a fan for cooling.
- Do not open the unit.
- When removing the rubber feet on the bottom of this unit, remove the rubber feet and replace the screws.
- When replacing the fuse, use the one indicated over the fuse holder.
- Unplug this unit when it is not to be used for a long period of time. Unplug by grasping the plug rather than pulling the cord.
- In case of trouble, unplug the unit immediately and contact your nearest Roland dealer.
- When cleaning this unit, unplug it and wipe it with a cloth dampened in neutral detergent. Do not use solvents such as paint thinner.

## Before Making Connections

- Make sure speaker power rating and impedance match your amplifier.  
\*Maximum input level of the speaker should be over 30W (8Ω).
- When the speakers are connected to both 1/4" phone jack and speaker terminal, 1/4" phone jack will have priority. (There is no sound from the speaker connected to the speaker terminal.)
- When making connection to speaker terminal make sure that polarity of the speaker ( ⊕ , ⊖ ) is correct.
- When operating in monaural, make connection to R channel.
- Make sure the power switch is off when making connections. Also set all the system volume controls to minimum.

### \*Connections for Stereo Operation



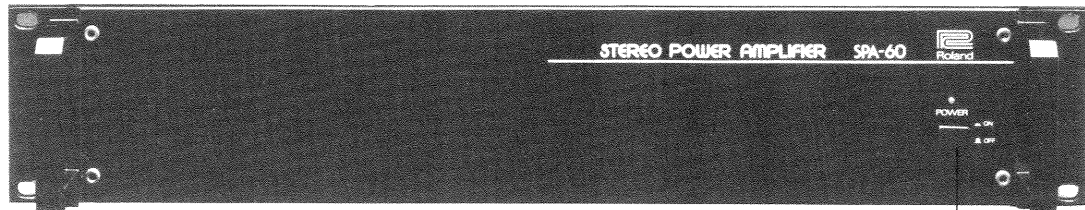
When both 1/4" phone jack and speaker terminal are in use, 1/4" phone jack will have priority.

## Operation

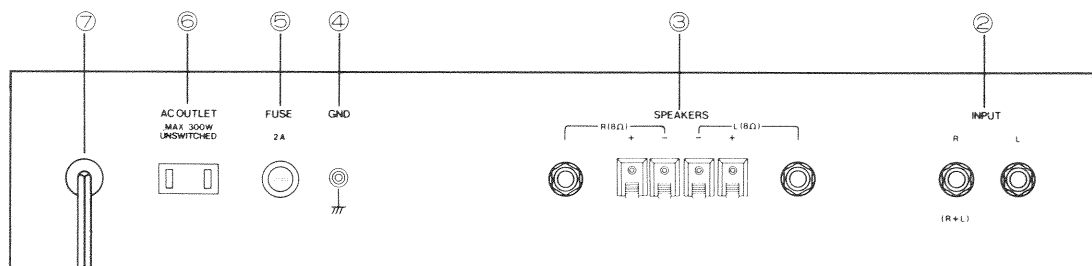
- 1) After making connection as instructed before, check the connection of the speaker and other connected units.
- 2) Turn on the Power switch.
- 3) Set the level of the input sound source to the desired listening level.

## Names and Functions of the SPA-60

### FRONT PANEL



### REAR PANEL



- ① Power switch ●POWER (ON/OFF)  
Press the button, and power will be on and the indicator will light up. Press it again, and the power will be off.
- ② Input jacks ●INPUT (L,R)  
These are to be connected to pre-amplifier output.  
\*When the level of input sound source is 0dB (775mVRMS), maximum output level is obtained.  
\*When operating in monaural, connect to R channel.
- ③ Output (speaker) jacks ●SPEAKER OUT (L,R)  
As both 1/4" phone jack and speaker terminal are equipped, choose one of them according to the connecting cord.  
\*When both 1/4" phone jack and speaker terminal are used, 1/4" phone jack will have priority. (There is no sound from the speaker connected to speaker terminal.)  
\*Required input level of the speakers is 30W or more. Required speaker impedance is 8Ω or more.
- ④ Ground terminal ●GND  
For making common ground connections with other equipment.
- ⑤ Fuse holder ●FUSE  
When the fuse is burnt out, remove the fuse by turning the fuse holder to the left and replace with a new one.
- ⑥ Spare power socket ●AC OUTLET  
Special socket for sound system (Maximum 300W). It can be used regardless of the power switch of the unit.
- ⑦ Power cord.  
Plug into AC OUTLET.

## SPECIFICATIONS

- Input level: 0dB (775mV)
- Input impedance: 100k $\Omega$  (each channel)  
50k $\Omega$  (when using only R channel)
- Output jacks: L,Rch (negative impedance over 8 $\Omega$ )
- Circuit: Complementary direct coupled with one stage amplifier.
- Output power (30Hz ~ 18kHz): 30W + 30W (8 $\Omega$ )
- THD: Less than 0.05%
- Frequency response: 30Hz ~ 18kHz ( $\pm$  3dB)
- Power bandwidth: 30Hz ~ 18kHz
- Damping factor (30Hz 18kHz, 8 $\Omega$ ): Over 70
- S/N ("A" weighted; input shorted): Over 110dB
- Power requirements: 100V, 117V, 220V, 240V, 50/60Hz
- Power consumption: 40W
- Dimensions: 482(W)  $\times$  92(H)  $\times$  260(D)mm  
19" rack mount EIA-2U
- Weight: 5.5kg



 Roland®

---

**10252**

UPC

10252



10981

**Roland**