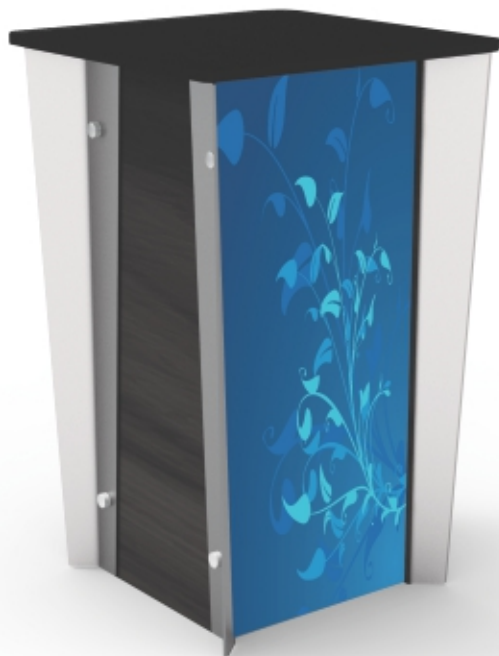


Pro Counters



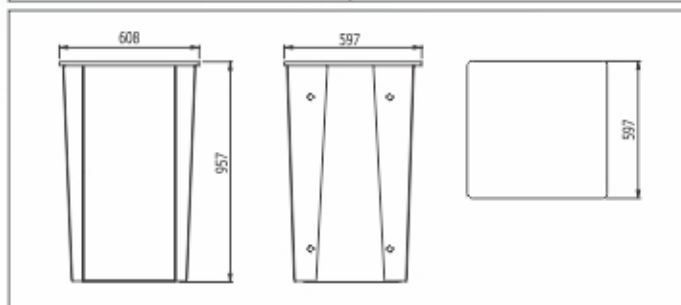
Riveted Case
L 985mm x W 520mm x H 200mm
Code : 300000313

Proze

A free standing podium counter which helps you make a presentation using it as a dais. Its unique fin design also helps accentuates your flagship product placed on it.

Technical Specifications

NAME	CODE	WEIGHT
Proze	300000250	16 kg
Graphic Set	SPPT20017	





Riveted Case
 L 985mm x W 520mm x H 200mm
 Code : 300000313

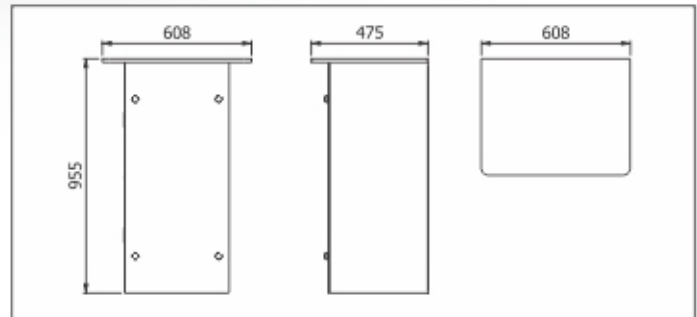
Icon

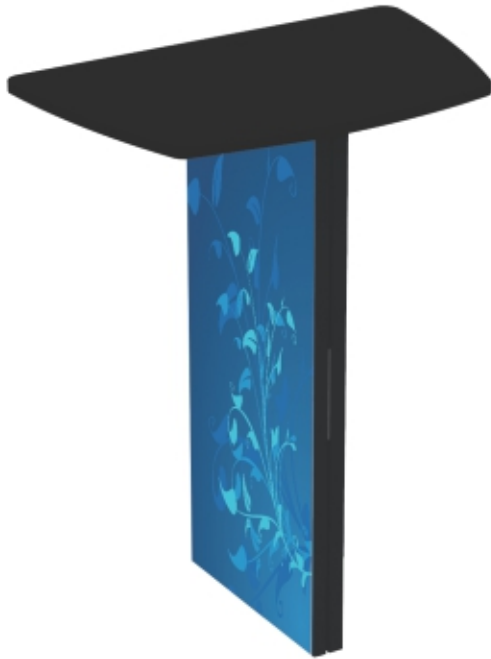
A kiosk counter that easily attaches to a Creeya backwall. It has a lockable storage and best suited to conceal a computer that is feeding in the presentation on an LCD monitor.

Available in Slate Grey finish, Including lockable storage Packs in a riveted shipping case.

Technical Specifications

NAME	CODE	WEIGHT
Icon	300000249	16 kg





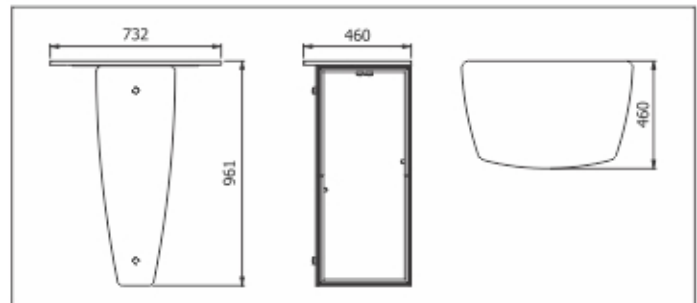
Fabric Bag
L 1000mm x W 700mm x H 100mm
Code : 0812322

Snap

A promotion counter that gets quickly connected to a Frank Post used with the Creeya or Airlite exhibits. Good to place Laptop Computers with branding on either side.

Technical Specifications

NAME	CODE	WEIGHT
Snap	300000033	6 ½ kg Incl. fabric Bag
Graphic Set	NPBS10087	





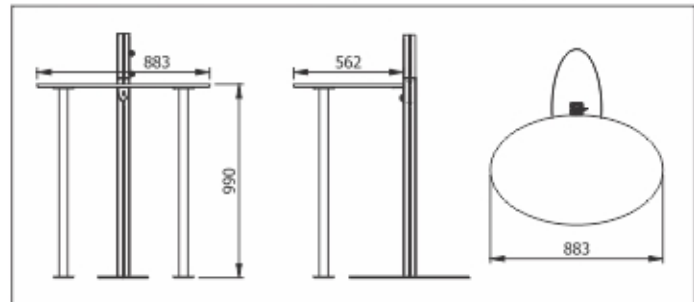
Fabric Bag
 L 1000mm x W 700mm x H 100mm
 Code : **0812322**

Pronto

A light weight easy to install promotion counter connected to Creeya or Airlite exhibits. Ideal for resting a computer to make presentations.

Technical Specifications

NAME	CODE	WEIGHT
Pronto	300000249	4 kg Incl. fabric Bag





Riveted Case
L 1005mm x W 625mm x H 180mm
Code : 700001029

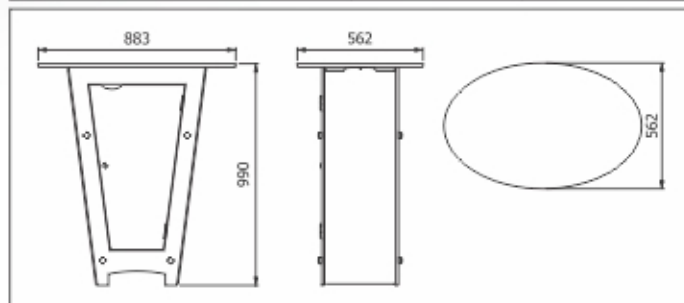
Legend

True to its name this legendary counter can be used as a free standing counter in a classic exhibition booth or connected to Creeya or Airlite forming a contemporary backdrop.

*Available in Beech and White finish, including lockable storage.
Additional branding possible with vinyl sticker.

Technical Specifications

NAME	CODE	WEIGHT
Legend (Beech)	700000005	20 kg
Legend (White)	700000006	20 kg





Riveted Case
 L 1005mm x W 625mm x H 180mm
 Code : 700001029

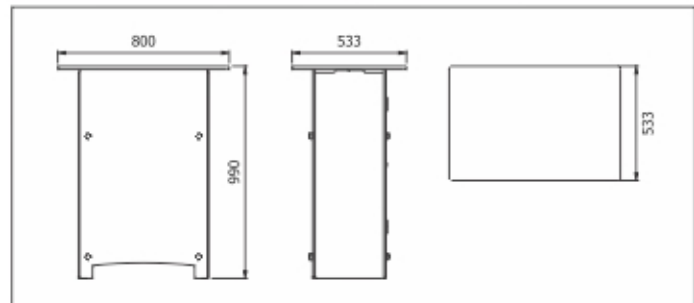
Rapid

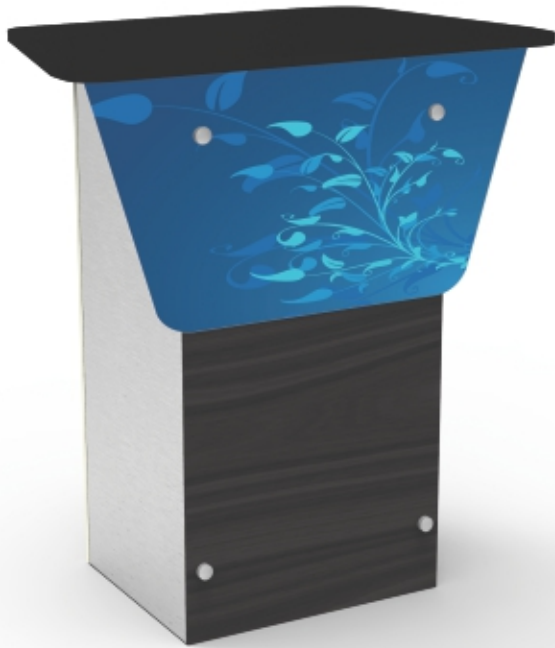
A geometrically shaped counter that has an option of free standing promotion counter or one that is connected to the backdrop. The Rapid helps add a retro look to your booth.

*Available in Beech and White finish, including lockable storage.
 Additional branding possible with vinyl sticker.

Technical Specifications

NAME	CODE	WEIGHT
Rapid (Beech)	700000001	20 kg
Rapid (White)	700000002	20 kg





Riveted Case
L 1005mm x W 625mm x H 180mm
Code : 700001029

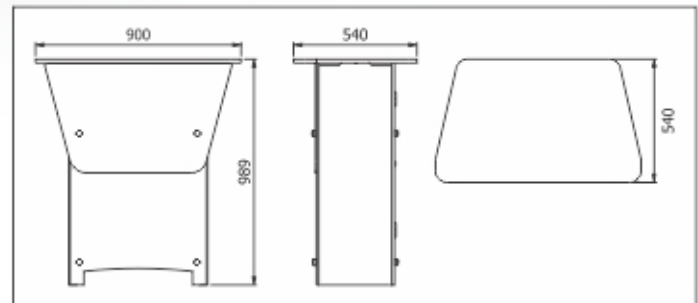
Rapid Plus

Rapid Plus serves as a unique reception counter with a milky white fascia that adorns your booth. It is easy to assemble and provides a unique branding opportunity that fits any budget.

*Available in Slate grey and White finish, including lockable storage. Additional branding possible with vinyl sticker.

Technical Specifications

NAME	CODE	WEIGHT
Rapid Plus (Slate Grey)	700000008	16 kg
Rapid Plus (White)	700000009	16 kg





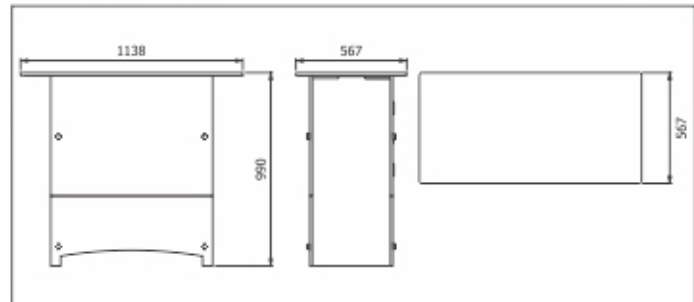
Finesse

An elegant reception counter with ample lockable storage and large working desk. It is used as a reception counter in any booth to greatly add to the storage capacity of your booth

*Available in Beech and White finish, including lockable storage. Additional branding possible with vinyl sticker.

Technical Specifications

NAME	CODE	WEIGHT
Finesse (White)	700000003	25 kg
Finesse (Beech)	700000004	25 kg



Riveted Case
L 1300mm x W 700mm x H 150mm
Code : 700001001



Riveted Case
L 1080mm x W 1000mm x H 200mm
Code : 300000339

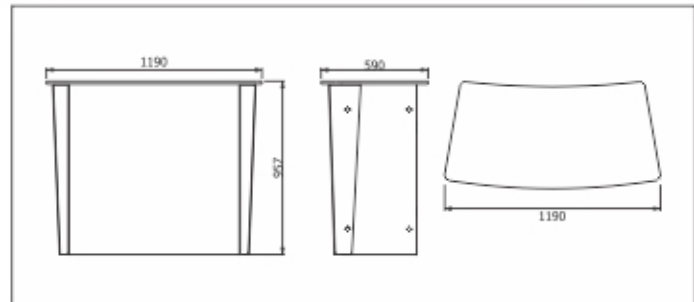
Über

A contemporary reception counter that offers large branding space free standing and means of storage. It can be easily assembled and carried to your exhibition booth.

*Available in Slate grey finish, Packs in riveted shipping case.

Technical Specifications

NAME	CODE	WEIGHT
Über	3000000246	20.0 kg
Graphic Set	DPBS10061	





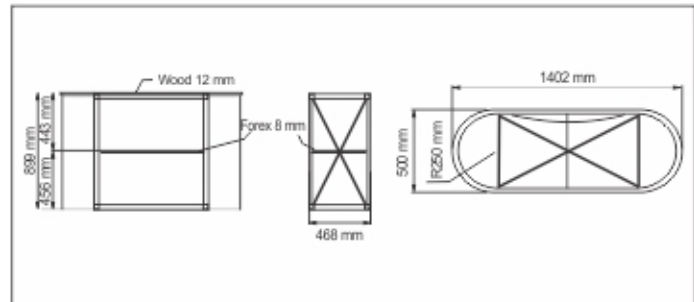
Fabric Bag
L 960mm x W 550mm x H 300mm
Code : 0812163

Counterfix Economy Counter

A pop-up counter that is portable and easy to set up, light yet sturdy. It consists of two shelves and packs in a sleek trolley bag that fits all the parts snugly. The CEC is ideal for promotions or reception table along with a backdrop.

Technical Specifications

NAME	CODE	WEIGHT
Counterfix Economy Counter	0812145	8.0 kg
Graphic Set	DPBS10176	



The Green Initiatives



Portable Solutions

We value socially responsible business methods. From production to transport, in every respect we take reusability and the reduction of CO2 emissions into account. This way, we not only contribute to your success, but also to the environment at large!



Eco friendly

Reusability and the long lifespan of our products ensure reduction of wastage and scarce raw materials such as wood and paper. The lower weight and smaller volume of the booth ensures that they can be transported in a smaller vehicle and use lower labor to install and dismantle. This ensures lower emissions and lower costs for you.



The Missing Link

Once you purchase a portable stand from us, we believe in continuous service to you. In future when you are in need of larger booths, do let us know which products you have, we will include them in your future booth design so you end up purchasing just the balance material from us thereby saving further costs in the bargain!

Why Choose us ?



Quality of Products and Service

Insta- Group has found its way in India inspired from the state of the art technology from Switzerland and USA. This ensures utmost quality of our product and service level that has our clients satisfied in 40 countries so far.



360 Degree Approach

With a dedicated design team, Print studio, 5 manufacturing units and a global distribution network, we provide 360 degree services to you for a hassle free show anytime anywhere.



Portable – Modular – Custom

Insta provides exhibition and display solutions to cater to ever changing client needs. Depending on the type of design, location and budget we have a host of solutions that give you a menu of options to choose from.

Our Global Presence



INDIA

Insta Exhibitions (P) Ltd.
B-602 Pramukh Plaza, Cardinal Gracious Rd. Chakala, Andheri (E), Mumbai, 400099, INDIA
Tel: +91 22 40649200 / 2825 1806 / 27 Fax: +91 22 2825 1836 Email: enquiry@insta-group.com



UAE

E.D.S Middle East LLC
Office No. 203, Crystal Tower, Burj Khalifa Area, Business Bay, Dubai Tel.: +971 4 4227053 / +971 4 4232020
Fax.: +971 4 4232008 Email: info.dubai@insta-group.com



USA

Exponents INSTA USA INC.
1351, AIR WING Road, Suite # 2, San Diego, CA. 92154 Tel: +1 619 298 6473 Ext. 110
Fax: +1 619 374 2797 Email: info@exponents.com



CANADA

Exponents
6201 Highway 7, #11 Vaughan, ON L4H 0K7 Tel: +1 (855) 333-EXPO Fax: +1 (416) 309-2036
Email: info@exponents.ca



an Inata Worldwide Group Company



GERMANY

Expo Display Service GmbH
Katharina-Paulus-Strasse 6 E-F, Camp Phoenix Park,
D-65824 Schwalbach am Taunus Tel: +49 [0] 61 96 - 96 75 - 0
Fax: +49 [0] 61 96 - 96 75 - 196 Email: info@expodisplay-service.de



BELGIUM

Expo Display Service
Draaiboomstraat 6/9, 2160 Wommelgem
Tel: +32 (3) 385 21 96 Fax: +32 (3) 385 21 97
Email: info@expodisplay-service.be



FRANCE

Expo Display Service
Bureau commercial Lyon, Immeuble Plaza, 93,
rue de la Villette, FR-69003 Lyon
Tel. +33 (0)4 20 10 24 88 Fax +33 (0)4 20 10 25 00
Email: info@expodisplay-service.fr



AUSTRIA

Expo Display Service GmbH
FLORIDOTOWER, Floridsorfer Hauptstraße 1,
AT-1210 Wien Tel: +43 (0) 1 270 60 50
Fax: +43 1 270 60 50 40
Email: info@at.expodisplay-service.at



NETHERLANDS

Expo Display Service B.V.
Jean Monnetpark 31, NL-7336 BA Apeldoorn
Tel: +31 (0) 55 323 8555 Fax: +055 323 1999
Email: info@expodisplay-service.nl



SPAIN

Expo Display Service S.A
C/Estevé Terradas 51-55, ES-08023 Barcelona
Tel: +34 (93) 434 03 03
Fax: +34 (93) 417 78 67
Email: expods@terra.es



SWITZERLAND

Expo Display Service AG
Hauptsitz, Müllerenstrasse 3, CH-8604 Volketswil
Tel. +41 (0)52 396 53 53 Fax +41 (0)52 396 53 99
Email : info@expodisplay-service.ch

Offices in India

MUMBAI (HEAD OFFICE)

Insta Exhibitions (P) Ltd.
B-602 Pramukh Plaza, Cardinal Gracious Rd. Chakala, Andheri (E),
Mumbai - 400099, INDIA Tel: +91 22 4064 9200 / 2825 1806 / 27
Fax: +91 22 2825 1836 Email: enquiry@insta-group.com

DELHI

Insta Exhibitions (P) Ltd.
Plot No. 373, Sector - 37, Pace City - II, Gurgaon - 122001, INDIA
Tel: +91-124-4758900 Fax: +91-124-2210746
Email: enquiry@insta-group.com

AHMEDABAD

Insta Exhibitions (P) Ltd.
103, ARTH Complex, Nr Meethakali Circle, Navrangpura,
Ahmedabad - 380009, INDIA Tel: +91-79-26442390 Fax: +91-26442396
Email: enquiry@insta-group.com

SECUNDERABAD

Insta Exhibitions (P) Ltd.
312, Mittal Chambers, 3rd Floor, M.G. Road,
Secunderabad - 500003, INDIA Tel: +91-40-66333129
Fax: +91-40-66333128 Email: enquiry@insta-group.com

CHENNAI

Insta Exhibitions (P) Ltd.
No. 42 Montlieth Road, No. 04, 4th Floor, Sindhur Plaza,
Egmore, Chennai - 600008, INDIA Tel: +91-44-42148543 / 65244978
Fax: +91-44-42148543 Email: enquiry@insta-group.com

BANGALORE

Insta Exhibitions (P) Ltd.
No. 313, Insta House, 15th Cross, JP Nagar, 5th Phase, 100 Ft. Road
Ring Road, Bangalore - 560078, INDIA Tel: +91-80-41404100 / 41132178
Fax: +91-80-41517717 Email: enquiry@insta-group.com

PUNE

Insta Exhibitions (P) Ltd.
Lloyds Chambers, Block - III, Office No: 309/310
Mangalwar Peth, Pune - 411011 Tel: +91-020-41209410
Email: enquiry@insta-group.com



Follow us on



www.insta-group.com

Version 1 (PDB-IN.) July 2013