



CV3 2.5" Series Solid-State Drives | SATA 6 Gb/s



## Lite-On SSDs Move at the Speed of You

Stop waiting for application load times. Do more by running your system longer, faster and more efficiently.

### FAST CONSISTENT PERFORMANCE

Lite-On's CV3 2.5" Series Economy Solid-State Drive with the SATA interface boosts your device's performance by accelerating application responsiveness, increasing productivity, and improving power efficiency. This simple upgrade delivers superior speed at 4KB random read performance of up to 95,000 IOPS and 4KB write performance of up to 45,000 IOPS. With quick response times, a Lite-On SSD will keep pace with your busy lifestyle.

The CV3 series SSD adopts a new controller with the low-density parity-check (LDPC) algorithm. By implementing the controller's LDPC error-correcting technology, this extends the drives endurance with TLC Flash as much as 33%, hitting reliability levels only attainable with MLC flash. The blazing-fast writes are achieved by intelligently treating certain memory cells as premium single-level-cell NAND for maximum speed. When, during idle time, data in those cells is stashed away to fully exploit the capacity benefits of TLC flash.

Operating more efficiently than traditional HDDs, the CV3 2.5" consumes less power, which extends your system's battery life.

### THE FIRMWARE ADVANTAGE

Our dedicated engineers work closely with high-grade chip manufacturers to develop solutions particular to your needs. Lite-On SSDs are already an industry-leading product, and with Lite-On's customized proprietary firmware, your Lite-On SSD will provide superior performance at consistent speeds for years to come.

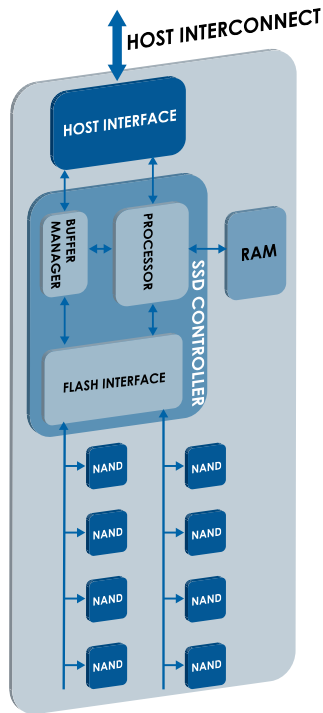
### FEATURES

- LOW-DENSITY PARITY-CHECK (LDPC) SUPPORT
- HIGH PERFORMANCE
- LOW POWER CONSUMPTION
- RELIABILITY
- CUSTOMIZED FIRMWARE
- AVAILABLE IN 128/ 256/ 512 GB CAPACITIES

### APPLICATION WORKLOADS

- GAMING
- MULTI-MEDIA AND VISUAL EFFECTS EDITING
- OFFICE TOOLS WORKLOAD
- 2D/3D DESIGNS
- RUN SIMULATIONS

## SOLID-STATE DRIVE COMPONENTS



## CV3 2.5" Series Solid-State Drives | SATA 6 Gb/s

Technical Specifications			
Model Name	CV3-CE128	CV3-CE256	CV3-CE512
Capacity	128 GB	256 GB	512 GB
Performance			
Sequential Read/Write <sup>1</sup>	530/470 MB/s	540/490 MB/s	540/490 MB/s
4K Random Read/Write <sup>1</sup>	72K/32K IOPS	95K/55K IOPS	85K/58K IOPS
Compatibility			
Host Interface	SATA		
Form Factor	2.5" (100mm x 69.85mm x 7mm) @ 60g max		
Reliability			
MTBF <sup>2</sup>	1.5 million hours		
Features			
ECC	LDPC Gen 3		
S.M.A.R.T	Supported		
TRIM Command	Supported		
Password Protection	Supported		
Dimensions and Weight			
DEVSLP	2 mW (0.002 W)		
Typical (DIPM Enable)	0.25 W		
Environment and Reliability			
Operating Temperature	0 to 70° C		
Non-operating Temperature	-40 to 85° C		
Power-on Ready <sup>3</sup>	300 ms		
Resume from DEVSLP	100 ms		

1. Based on internal testing, performance may vary depending on host device, OS, and application.

2. MTBF – Mean Time Between Failures based on parts stress analysis.

3. Assumes that drive had normal shutdown process previously with STANDBY IMMEDIATE command.

For more information, please visit  
[liteonssd.com](http://liteonssd.com)



Lite-On Sales and Distribution, Inc.  
 42000 Christy Street  
 Fremont, CA 94538  
 510.687.1800

© 2016 Copyright Lite-On Technology Corporation

Lite-On Storage is a Strategic Business Group (SBG) of Lite-On Technology Corporation.

Lite-On Storage is a global leader in the design, development, and manufacturing of Solid State Drives (SSDs) and Optical Disc Drives (ODDs).

Lite-On Storage offers customized solutions and superior firmware to PC Client, Industrial Solutions, Automotive, Enterprise, and Cloud Computing environments. All Lite-On SSDs are designed and developed 100% in-house at their state-of-the-art facilities in Taiwan.

Specifications and data are subject to change without notice.