

VOLVO S80



Luxury loves company.

If time is the ultimate luxury, it's only fair to spend some of it in the Volvo S80. Engineered to make trips feel shamelessly short, it is, of course, the rewards of a safe return that promise yet another pleasant trip and more time with family.

Life is better lived together.

Volvo. for life









Imagine, just for a moment, a car as beautiful as it is gifted; a car endowed with power, control and an understanding of what goes on around it. Assume that it shares these gifts with its driver. The tensions of an unfamiliar route become fewer. The joy of an unwritten road becomes greater. And the prospect of a perfect drive becomes a real probability.





The meticulous attention to detail includes the road ahead.

This Volvo S80 delivers the royal treatment – 21st century style. Technologically speaking, scouts run ahead, check the road, and report back. At work are digital video and radar-based predictive technologies – Adaptive Cruise Control (ACC)* and Collision Warning with Auto Brake (CWAB)* – which monitor the cars in front and adjust power delivery and braking intuitively. This onboard intelligence is available to help you negotiate traffic in terms most favorable to you and your passengers – helping you keep a safe distance. The creature comforts and thoughtful amenities throughout the cabin also seem to anticipate and satisfy your every need – even the remote key or the Personal Car Communicator (PCC)** can help keep you in touch with your car's status: locked, unlocked, occupied? Call it a sixth sense, second sight or intuition; no one predicted intelligence would travel like this.

* Included in the optional Collision Avoidance package

**Included in the optional Convenience package on S80 3.2 and T6. standard on V8



Volvo's advanced driving system helps make driving more comfortable. Now supplemented with an optional digital video camera to help examine the road ahead, it is possible for the Volvo S80 to discern stationary objects from other road users and to register lane markings. If you are ever distracted or tired, the car's ability to identify your lane – and any stationary vehicles in your lane – can help you reach your destination without incident. But please note: even these sophisticated systems – Lane Departure Warning (LDW)*, Driver Alert Control (DAC)* and the Blind Spot Information System (BLIS)** – have limitations. It is the driver's responsibility to remain alert at all times.

*Included in the optional Collision Avoidance package

**Optional







Intelligence creates its own momentum.

Power and control. How often do you find them in perfect accord? In all its versions, the Volvo S80 offers fluid performance. The drivetrain and chassis perform as one. Acceleration is never delayed. And liveliness is assured by immediate response throughout the entire range of engine speeds. Volvo's premium source of power, the 311 hp V8, combines enormous capacity with superior refinement. With advanced, hyper-efficient fuel management systems, each available Volvo engine maximizes performance in the smartest way possible.





Volvo designers feel they've created an environment ideal for driver and passenger alike. Floating layers, inspired by Scandinavian landscapes, both converge and soothe. Controls are easy to operate and pleasing to touch. Even the Volvo Navigation System's (VNS)* screen appears and disappears into the dashboard with an elegance and simplicity that complements its vast functionality. And much attention has been paid to comfort throughout the cabin. For example, the seats set the standard for ergonomic and aesthetic excellence – and with ventilated front seats**, integrated fans can help you stay cool.

* Optional on 3.2 and T6 AWD, included in the Technology package V8 AWD

**Included in the Executive package T6 AWD. Standard on V8 AWD and includes massage feature



Volvo Navigation System (VNS)*

Volvo's GPS-based VNS navigation system is totally integrated with your car. It offers both voice guidance and graphic navigation all the way to your destination. The VNS system is easily controlled from the steering wheel or a remote, and the screen is positioned so you can keep your attention on traffic.

*Optional on 3.2 and T6 AWD. Included in the Technology package V8 AWD
Maps do not cover all areas or all routes within an area. Also constant expansion and rebuilding of the road network mean that the digital map database is not always the latest road information. Always follow relevant regulations and road information.



Integrated Bluetooth® handsfree system

Bluetooth® technology enables a mobile phone to be connected to the infotainment system in your Volvo – wirelessly. Once configured for a mobile phone, the system automatically recognises your phone as you enter the car. You then operate your phone using the buttons in the steering wheel. As you climb in and out of the car, the system automatically allows you to switch freely from the phone to the handsfree system and back again. (May not be compatible with all phones).



® The Bluetooth word mark and logos are owned by the Bluetooth SIG, Inc. and any use of such marks by Volvo Car Corporation is under license. Other trademarks and trade names are those of their respective owners.

Welcome to the V8 Executive lounge.

Intuitive and luxurious, our top of the line Executive* variant takes the sensory experience of the Volvo S80 even further. Relax in lush surroundings finely detailed by ambient lighting throughout and enjoy. Of course, handcrafted soft leather and hand-finished walnut wood abound.

*Standard on V8. Optional on T6.



The ventilated front seats are fully upholstered in perforated soft leather and feature an Executive massage treatment to really spoil you. Contrasting seams and piping add to the elegance. The side and center armrests are upholstered in soft leather, and your feet can rest on

the thick Executive nubuck-trimmed textile mats. There's walnut wood trim in door panels, steering wheel, gear knob and dashboard – all complimented by the unique walnut wood Executive center console with an articulated aluminium jalousie. Note the time on the elegant analog

clock. Then turn on the stereo, and fill the cabin with music from the 650 W Dynaudio Premium Sound system* with Dolby® Pro Logic® II surround sound and twelve Dynaudio loudspeakers.

*Included in the optional Technology package.





Anthracite black interior,
Executive Perforated Soft Leather, 2G00
Classic wood center console and door panel inserts



Sandstone Beige interior,
Executive Perforated Soft Leather Soft Beige, 2G12
Classic wood center console and door panel inserts

Executive interior design

The Executive interior is available in two different color themes – Anthracite Black and Sandstone Beige.



Integrated rear seat refrigerator

For the simple pleasures, you can add a refrigerator between the rear seats. Refreshments are kept cold and within convenient reach for those with the privilege to ride in the back. These passengers will also have their own hand-cut Swedish crystal by Kosta Boda, designed by the Swedish glass artist, Bertil Vallien, and engraved with the Executive emblem. The cabinet includes a specially designed Executive bottle opener in stainless steel and features ambient light to set the crystal aglow. Optional on V8.

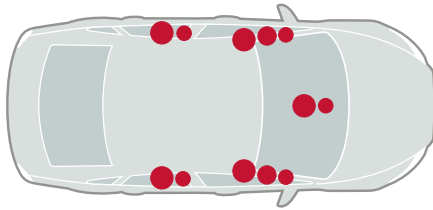






Dynaudio loudspeakers

The twelve high-end loudspeakers by the Danish sound specialist Dynaudio in the Premium Sound system are powered by a 5x130 W digital amplifier. There are three separate drivers – woofer, midrange and tweeter – in each front door. In the rear doors there is a similar set-up. Each speaker has its own crossover filter to harmonize with the others. The latest generation Dolby® Pro Logic® II surround sound uses the center loudspeakers (woofer and tweeter) and a sound processor to recreate authentic sound with a strong sense of presence for everyone in the car. The digital class D amplifier features new technology to provide extremely high efficiency, enabling it to generate the most audio power from the least amount of current.

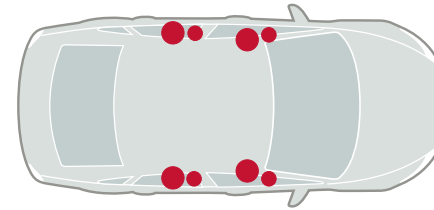


Dynaudio Premium Sound System

This is our top-of-the line audio system designed for dynamic clarity with the entire sound spectrum. This system features twelve loudspeakers by Dynaudio – a world leader in loudspeaker technology. In addition, Dolby® Pro Logic® II surround sound helps tailor a well-balanced audio experience for each occupant. Premium Sound includes:

- Steering wheel integrated controls
- MP3 and WMA compatible CD player
- AUX input in front center armrest
- 5x130 W digital class D amplifier
- Dolby® Pro Logic® II surround sound with center loudspeaker and digital sound processor
- 12 high-end loudspeakers by Dynaudio
- Rear seat headphone jacks and audio controls

Dolby, Pro Logic, and the double-D symbol are registered trademarks of Dolby Laboratories.



High Performance audio system

This is a powerfully versatile system. Each loudspeaker is fitted with a powerful magnet and a large coil. In combination with the amplifier, this system promotes excellent transient reproduction and high power – quite simply superb sound. This High Performance system includes:

- Steering wheel integrated controls
- MP3 and WMA compatible CD player
- AUX input in front center armrest
- 4x40 W amplifier
- 8 High Performance loudspeakers

Options: rear seat audio console, USB and iPod® Music Interface.



Sirius Satellite radio

Satellite radio is now available for your Volvo. Volvo has joined forces with Sirius to offer an integrated satellite solution that is sure to provide endless listening enjoyment.



Safety comes naturally.

It's in the genes – an uncompromising ambition to both protect and celebrate life. It's human nature. And it's what makes a Volvo a Volvo. For decades, we've created cars that both encourage people to enjoy life and offer protection in the event of an accident. In fact, thousands of people all over the world can say they're still alive because of a Volvo. This is not by coincidence. Our founders stated that safety is, and will always be, at the heart of what we do. As a result, Volvo is recognized the world over for our passion to provide the safest cars on the road.

The protective character of a Volvo also encompasses the world we share. As far back as 1972, Volvo was the first car manufacturer to acknowledge the environmental downside of cars. Since then, we've been committed to reducing the environmental impact of the cars we make and how we make them. Therefore, choosing a Volvo will never be something you do just for yourself. Not that you can't, but our cars will always consider the well-being of more than one. Even if those people happen to be outside your car or are part of future generations. It's just the way we are.

Innovations for life.

- In 1959, Nils Bohlin, a Volvo safety engineer, invented the three-point seat belt. So important is this invention that it is considered to be one of the most life-saving technical innovations in the history of mankind.
- In 1976, Volvo Cars was the first car manufacturer to introduce the three-way catalytic converter with an oxygen sensor for exhaust emission control. Today virtually all gasoline-powered cars are equipped with this ingenious component – just as indispensable for the environment as the three-point seat belt is for safety.

These are only two examples of Volvo's most important safety and environment innovations. You'll find a lot more on www.volvocars.com/corporation

“Cars are driven by people. Therefore, the guiding principle behind everything we make at Volvo is – and must remain – safety.”

*Assar Gabrielsson and Gustaf Larson,
founders of Volvo*



After 36,000 crashes, you begin to know what you're doing.

The best way to learn what really happens before, during and after a car crash, is to be there. Since 1970, Volvo's Accident Research Team has investigated accidents involving Volvo cars on Swedish roads. Today, our own statistical database contains over 36,000 accidents with more than 60,000 occupants.

Our accident researchers are on stand-by 24/7. If there's an accident involving a newer Volvo car within 60 miles of Göteborg, our researchers are instantly alerted by the rescue team. In addition to studies on the scene of the accident, our researchers also investigate what happened before the crash to understand how to improve the driver's ability to avoid a collision.



Volvo Cars Safety Center – the world's most advanced crash laboratory

Based on the findings from our accident research, we can recreate a variety of real-life traffic situations and crashes. Beyond numerous virtual crash tests in super-computers, we perform around 450 crashes each year. We crash test car-to-car at different speeds and with other kinds of vehicles and road obstacles. We perform frontal impacts, rear impacts, side impacts and roll-over tests and test cars off-road as well as against genuine Swedish granite rock-face – we can even simulate impacts with wild animals.

If you make it here, you make it anywhere

Other car manufacturers come to Sweden for final car testing under harsh and capricious conditions. For us it's home. Our own proving ground Hällered with its 34 miles of test tracks includes different road types from all over the world. Here we scrutinize our cars' ability to support their drivers in all imaginable and unimaginable situations during thousands of test miles – not to mention the distances driven on ordinary Swedish roads.





Advanced technology to support the human factor.

After all, we're only human. That's why we build cars that help support you in any situation, with technology that expands the human senses and helps you to focus on driving. Still, technology will never take the responsibility away from you as the driver. Final decisions are always in your hands. But if these technologies help make you more alert and relaxed driver, they will also contribute to the overall safety of those in and around your Volvo.

Collision Warning with Auto Brake* for highway driving is Volvo's radar and camera based technology that can warn you if you're too close to a vehicle in front of you and – if a collision can't be avoided – can activate the brakes to help reduce the effects of a crash.

Driver Alert Control (DAC)* is a unique technology designed for highway driving and can remind you if you're losing concentration.

Lane Departure Warning (LDW)* monitors your car's position on the road and helps alert you if you unintentionally are crossing a lane marker at speeds over 40 mph.

Dynamic Stability and Traction Control (DSTC) helps you maintain traction in a wide range of situations and prevent the car from skidding.

All-wheel drive with Instant Traction™ continuously distributes power to the wheels with the best traction for reassuring stability in a wide range of conditions. (T6 AWD and V8 AWD).

*Included in the optional Collision Avoidance package

Blind Spot Information System (BLIS)** helps to detect vehicles entering the blind spot on both sides of your car.

Dual Xenon with Active Bending Lights** expand your vision range by about 230% when you're driving in the dark and provide considerably improved illumination around bends.

Emergency Brake Light (EBL) senses a panic braking maneuver and causes the brake lights and an additional taillight on each side of the vehicle to illuminate to help alert traffic approaching from behind.

Hydraulic Brake Assist (HBA) ensures optimal braking power to help you stop the car in the shortest possible distance.

Ready Alert Brakes (RAB) anticipate an emergency braking situation to further help reduce the braking distance.

Intelligent Driver Information System (IDIS) can help reduce your workload in stressful situations.

**Optional

Did you know that:

- a third of all reported accidents are rear impact – and in more than 50% of these accidents the driver doesn't brake at all.
- up to 90% of all traffic accidents are caused by driver distraction.
- gas discharge light technology (Xenon) helps you gain 148 ft of illumination when driving in the dark.



Our engineers spent more than 80 years designing this car.

You're looking at one of the safest cars in the world. Not because this car displays the highest number of airbags in the industry (it probably doesn't), but because how well the different safety technologies interact to keep the occupants out of harm's way. What's more, what you see is the result of the collected efforts from generations of dedicated Volvo safety engineers. So if you share our passion for safety, this may be the most exciting image in the whole brochure.

In a frontal collision the patented frontal structure will yield to help absorb crash energy, while longitudinal steel struts in the doors helps disperse crash energy away from the front to the rear of the car. The compact power train is designed to help optimize deformation. Inside the car, seat belts interact with the collapsible steering column and multi-stage airbags to help keep the occupants out of harm's way. A steel strut under the dashboard helps prevent components in the engine bay from intruding into the cabin.



In a roll-over the extremely sturdy safety cage and reinforced roof structure will help protect the occupants while the seat belts help keep them restrained in their seats. If the car first has been hit from the side, the Inflatable Curtain (IC) deploys to help provide head protection and help keep the occupants inside the cabin.

In a side impact Volvo's unique Side Impact Protection System (SIPS) helps protect the occupants. The extremely strong door and side structure is designed to help withstand a severe side impact – even with a larger vehicle. The dual-chamber side airbags in the front seats help protect the chest and hip, while the Inflatable Curtain (IC) adds head protection.

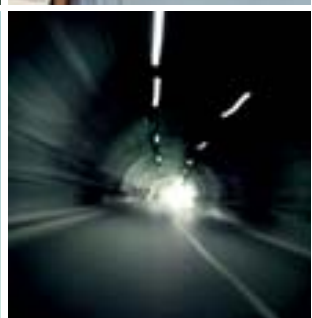
In a rear impact the rear deformation zones will help absorb crash energy. The fuel tank is designed to remain well protected in front of the rear axle. The head restraints help protect the neck and spine, and Volvo's unique Whiplash Protection System (WHIPS) cradles the front seat occupants in a controlled manner to help prevent whiplash injuries.



Maximize your experience. Not your carbon footprint.

We believe it's more fun to drive a car that cares both for people and the environment – be it outside or inside the vehicle. Utilizing advanced engine technology and emission control, the Volvo engines are designed to combine high performance with low environmental impact. This caring attitude continues inside your Volvo. Here you and your passengers can experience one of the automotive industry's cleanest and healthiest cabin environments. It's as enjoyable as it is responsible. Just as you would expect of a Volvo.





Emission controls

All Volvo engines comply with stringent international environmental requirements. Advanced emission control eliminates between 95 and 99% of carbon monoxide, hydrocarbons and nitrogen oxides from engine exhaust gases. The catalytic converter is positioned to provide optimum exhaust conversion sooner after cold starting.

Low emission interior

To ensure that you and your passengers are not exposed to harmful emissions or unpleasant odors, we test individual upholstery and interior trim items as well as complete interiors in the Volvo Environmental Laboratory in Sweden. All upholstery materials and interior textiles also comply with Oeko-Tex Standard 100 – an international benchmark for human ecological safety of textiles. All leathers are tanned by a process that only uses vegetable or synthetic substances instead of chromium. In addition, several interior details made of metal are tested for contact allergies – they even meet the same nickel leakage requirements as jewelry.

Clean cabin air

A cabin air filter removes dust, pollen and other particles from the incoming air. Volvo's Interior Air Quality System (IAQS)* continuously monitors incoming air and can shut out carbon monoxide, ground-level ozone and nitrogen dioxide. This helps to ensure that the air you breathe in the car is cleaner than that outside when driving in heavy city traffic and tunnels.

*Included in the optional Convenience package on 3.2 and T6 AWD. Standard on V8 AWD

DRIVE

Factory-installed options.

The sense of quality and care—and knowing that you get the Volvo that suits your lifestyle. Customize your car with the options that best meet your demands and desires, and you'll soon be behind the wheel of your individually tailored Volvo S80.



1 Personal Car Communicator (PCC)*

PCC is an advanced remote control that combines keyless drive with two-way communication with your Volvo. Keep the PCC with you and the car unlocks automatically on your arrival. Start the engine by pressing a button on the dash, lock the car by pressing a button in the door handle. Later in the day, if you're wondering whether you've locked the car, PCC can remind you; no matter where you are. On your return to the car – within a radius of 195 to 330 ft. – pressing the PCC information button will give you a current report on its status. If the alarm has been activated, the onboard heartbeat sensor will give you advanced warning if there's somebody in your car and an opportunity to evaluate the situation safely.

*Standard on V8 AWD. Included in the Convenience package T6 AWD and 3.2

2 Park Assist Front and Rear*

This system makes it easier to park in tight spaces by providing an audible signal in the passenger compartment as a detected object gets closer to the sensors in the front or rear bumpers.

*Standard on V8 AWD. Included in the Convenience package T6 AWD and 3.2

3 Adaptive Cruise Control (ACC)*

ACC is designed for highway use and includes a forward-scanning radar to monitor the time interval between your car and the vehicle ahead. It also provides limited braking capacity. Simply set a cruising speed and a time interval and the system maintains it – slowing slightly to maintain distance to the car ahead when necessary.

*Included in the optional Collision Avoidance package

4 Volvo Navigation System (VNS)**

Volvo's GPS-based VNS navigation system is totally integrated with your car. It offers both voice guidance and graphic navigation all the way to your destination. The VNS system is easily controlled from the steering wheel or a remote, and the screen is positioned so you can keep your attention on traffic.

**Maps do not cover all areas or all routes within an area. Also constant expansion and rebuilding of the road network mean that the digital map database is not always the latest road information. Always follow relevant regulations and road information.

5 Rear Seat Entertainment (RSE)

Opt for dual screen RSE and the rear-seat passengers can play a game or watch a film – separately or together. Thanks to separate cordless headphones, they can do their own thing while you listen to yours in the front. The system comprises two 8" wide screens integrated in the front seat head restraints and, at the back of the central armrest, a multifunctional DVD console with its own AUX socket.

6 Blind Spot Information System (BLIS)

The Blind Spot Information System uses digital cameras mounted in the door mirrors to keep a lookout on both sides of the car. As a vehicle enters your blind spot, the system alerts you with discreet lights built into both front door posts. Together with the door mirrors, this helps you change lanes safely. BLIS is activated once the car exceeds 6 mph, and reacts to almost any type of vehicle from a motorcycle upward. It works just as well day or night.

Accessories.

Volvo's accessories help you make your Volvo S80 even better suited to your personal needs. They are the only ones that have been tested to meet Volvo's exacting safety, quality and environmental requirements. You can also rest assured they're a perfect match for the technology and design of your Volvo.



FOR DRIVING FREEDOM

- Moonroof wind deflector
- Park assist, front and rear
- Parking assistance camera

FOR YOUR ENTERTAINMENT

- 6 Disc in dash CD changer
- Rear Seat Entertainment System with Dual DVD player
- Satellite Radio
- Volvo iPod music interface

FOR PRECIOUS CARGO

- Booster cushion and backrest
- Child Activity Bag
- Child Mirror
- Padded neck cushion
- Rear center armrest table
- Sun screen, rear doors
- Sun screen, rear window

FOR YOUR LEISURE

- Ashtray, front and rear
- Bike carrier, roof mounted
- Business bag organizer
- Canoe/Kayak carrier, roof mounted
- Cargo box, roof mounted
- Dirt cover, rear bumper

- Floor mats, rubber
- Grocery bag holders
- Integrated cooler / hotbox
- Load basket, roof mounted
- Luggage compartment mats
- Net pocket, side panel cargo compartment
- Portable Electric cooler / hotbox
- Roof Mounted "Load Bar" carrying system
- Roof ribs
- Ski Carriers, roof mounted
- Snowboard carrier, roof mounted
- Sun Glasses holder
- Surfboard carrier, roof mounted
- Trailer hitch mounted bike carrier

- Trailer hitch mounted ski carrier
- Trailer Hitch, 2" Square profile
- Tunnel mat, second row seats

FOR YOUR LOOKS

- Aluminum Wheels
- Chrome Wheels
- Exterior Chrome Kit
- Footboard, moldings, illuminated
- Interior décor panel kits
- License plate frames
- Locking Lug nuts
- Valve stem caps
- Wood steering wheel

FOR UNEXPECTED SITUATIONS

- Car cover
- Electric engine heater
- First aid kit
- Jumper cables
- Leather care kit
- Mud Flaps, front and rear
- Snow chains
- Snow chains
- Warning triangle

Interior selection.

The Volvo S80 offers exclusive interior options to suit your personality. All our leather upholsteries are approved by Oeko-Tex. This means they're tested for certain allergy-inducing and harmful substances. Make your choices to compose your own interior styling.



Anthracite Black Leather (2100)
(3.2 and T6 AWD)



Sandstone Beige Leather (2112)
(3.2 and T6 AWD)



Modern wood trim
(Standard 3.2 and T6 AWD)



Executive Perforated Soft Leather Anthracite Black (2G00)
(Standard V8 AWD, included with T6 AWD Executive package)



Executive Perforated Soft Leather Sandstone Beige (2G12)
(Standard V8 AWD, included with T6 AWD Executive package)



Classic wood trim
(Standard V8 AWD, included with
T6 AWD Executive package)

Exterior design.

The exterior design of the Volvo S80 projects its purpose; moving forward in space and time. Its evolution is indicated by body shape, and emphasized with converging lines. It's an unfinished sculpture—until you climb inside. **Stefan Jansson, Volvo design group.**





Venator 8x18"
Alloy wheels, Chromed
(Optional V8)



Venator 8x18"
Alloy wheels, Silver Bright
(Optional 3.2)



Zubra 8x18"
Alloy wheels, Silver Bright
(Optional T6)



Fortuna 8x18"
Alloy wheels, Diamond cut/Light Grey
(Optional 3.2, T6 AWD)



Balius 8x18"
Alloy wheels, Silver Bright
(Standard V8 AWD)



Meissa 8x17"
Alloy wheels, Silver Bright
(Standard T6 AWD Executive Package)



Canicula 7x17"
Alloy wheels, Silver Bright
(Standard T6 AWD)



Cassini 7x17"
Alloy wheels, Silver Bright
(Standard 3.2)

Standard features.

SAFETY	S80 V8 AWD	S80 T6 AWD	S80 3.2
Alarm	●	●	●
Anti-lock Brake System (ABS)	●	●	●
Approach Light	●	●	●
Center armrest with cup holder	●	●	●
Dual-chamber driver and front passenger Side Impact Airbags (SIPS bags)	●	●	●
Dynamic Stability Traction Control (DSTC)	●	●	●
Electronic Climate Control (ECC)	●	●	●
Emergency Brake Assist (EBA)	●	●	●
Heated windshield washer nozzles	●	●	●
Home safe lightning	●	●	●
Homelink	●	●	●
Inflatable curtain (IC)	●	●	●
Isofix-outer position rear seat	●	●	●
Immobilizer, encrypted ignition key	●	●	●
Seat belt pretensions, all seating positions	●	●	●
Whiplash protection, front seats	●	●	●
3 step airbag, drivers/passenger side with kneepad	●	●	●
INTERIOR			
Analog clock	●	P	N/A
Audio control buttons in steering wheel	●	●	●
Auto Dimming inside rearview mirror with compass	●	●	●
Audio 'High Performance' 4x40 watts, 8 speakers In-dash 6-CD with MP3 capability	●	●	●
AUX input	●	●	●
Bluetooth hands free technology	●	●	●
Classic wood	●	P	N/A
Cruise control	●	●	●
Electrical adjustable drivers seat, with memory	●	●	●
Electrical adjustable passengers seat	●	●	●
Front Armrest	●	●	●
Heated front and rear seats	●	P	P
Interior Air Quality System (IAQS)	●	P	P
Leather seating surfaces	●	●	●
Modern Wood	N/A	●	●
Personal Car Communicator (PCC)	●	P	P
Pollen filter	●	●	●
Power Glass Moonroof	●	●	●
Rainsensor wipers	●	●	●
Sirius™ Satellite radio	●	○	○
Soft Leather Seating with massage and ventilation	●	P	N/A
Temperature gauge, outer	●	●	●
Watch dial instruments	●	●	●
2 illuminated sun visors	●	●	●

EXTERIOR	S80 V8 AWD	S80 T6 AWD	S80 3.2
Brushed aluminum door trim	●	P	N/A
Foglight	●	●	●
Front and rear park assist	●	P	P
Halogen lights	●	●	●
Polished Dual Exhaust pipes	●	●	N/A
7x17" Canicula Alloy Wheels	N/A	●	N/A
7x17" Cassini Alloy Wheels	N/A	N/A	●
8x18" Balius Alloy Wheels	●	N/A	N/A

● = Standard N/A = Not available ○ = Option P = Package

Factory options.

	S80 V8 AWD	S80 T6 AWD	S80 3.2
Blind Spot Information System (BLIS)	○	○	○
Dual Xenon with Active Bending Lights	P	○	○
Metallic Paint	○	○	○
Navigation system	P	○	○
Personal Car Communicator (PCC)	●	P	P
Refridgerator with two crystal glasses	○	N/A	N/A
Sirius Satellite Radio w/6mo subscription	●	○	○
Volvo Dual-screen Rear Seat Entertainment	○	○	○

● = Standard N/A = Not available ○ = Option P = Package

Packages.

CONVENIENCE PACKAGE*

- Personal Car Communicator with keyless drive
- IAQS with humidity sensor
- Parking assistance front and rear
- Dynaudio premium sound package**

*Available for 3.2 and T6 AWD

**Includes Dolby® Pro Logic® II Surround sound, rear seat headphone jack and audio controls, 12 Dynaudio speakers, 5x130-watt amplifier

COLLISION AVOIDANCE PACKAGE*

- Adaptive cruise control
- Collision warning with auto brake
- Distance alert
- Driver alert control
- Lane departure warning

*Available for 3.2, T6 AWD and V8 AWD

CLIMATE PACKAGE*

- Heated front seats
- Heated rear seats
- Heated windshield washer nozzles
- High-pressure headlight cleaning

*Available for 3.2 and T6 AWD. Standard on V8 AWD



T6 AWD EXECUTIVE PACKAGE

- Executive soft leather upholstery
- Executive textile floor mats
- Classic wood center console
- Classic wood steering wheel
- Massage and ventilated front seats
- Front tunnel cover in leather
- Aluminum front tunnel storage cover
- Front and Rear eyeliner in chrome
- Brushed aluminum lower door molding
- Meissa 17" alloy wheels
- Analog clock
- Inner door opener light
- Power adjustable front passenger seat (from driver's side)

V8 AWD TECHNOLOGY PACKAGE

- Volvo Navigation system
- Speed sensitive steering
- Dual Xenon with Active Bending Lights
- Dynaudio premium sound package*

*Includes Dolby® Pro Logic® II Surround sound, rear seat headphone jack and audio controls, 12 Dynaudio speakers, 5x130 watts amplifier

Volvo S80 specifications.

ENGINE

Eight-cylinder engine

Eight-cylinder 4.4-liter all-aluminum engine. 60-degree V-configuration. Double overhead camshafts, 32 valves. Variable Valve Timing (VCT) and Variable Intake System (VIS). Electronic engine management system. Three-way catalytic converter with a heated oxygen sensor. Allied with an advanced all-wheel drive system and a six-speed Geartronic transmission, this highly compact V8 harmonizes perfectly with the agile character of the Volvo S80. The sophisticated engine design, boasting continuously variable valve timing and a variable intake system, promotes high performance, smooth running, and superior power from low rpm. The full torque potential of 325 ft./lbs. is delivered at 3950 rpm, while at only 2000 rpm the engine delivers 236 ft./lbs. From a standstill, 60 mph is only 6.0 seconds away—there's ample power for passing other vehicles quickly and safely, as well as for long and comfortable trips. Advanced emission controls, featuring four catalytic converters, reduce harmful emissions beyond the standards required by current legislation, such as California's strict ULEV II, making this V8 one of the cleanest in its class.

Volvo S80 V8 AWD (311 hp)

Engine type: 4.4-liter V8 engine
Max power output: 311 hp at 5950 rpm
Max torque: 325 ft./lbs. at 3950 rpm
Acceleration 0–60 mph: 6.0 sec
Top speed: 130 mph
Fuel consumption, mpg, mixed cycle: N/A
Environmental classification: ULEV II
Transmission: Six-speed Geartronic automatic

Six-cylinder engine

Six-cylinder in-line 3.2-liter all-aluminum engine. Double overhead cam-shafts, 24 valves. Variable Valve Timing (VCT), Variable Intake System (VIS) and Cam Profile Shifting (CPS) on the intake camshaft. Electronic engine management system. Three-way catalytic converter with a heated oxygen sensor. This highly compact in-line six-cylinder engine meets high expectations in terms of performance, comfort and concern for the environment. The smooth running and responsive engine character provides a relaxed drive at all speeds. Advanced engine technology, such as a new intake system, helps increase torque over a wide speed range and ensures power at high rpm. And depending on your driving style and the situation, the intake valve train automatically switches between economy and performance modes to optimize efficiency. The engine's compact design aids safety performance in a frontal collision. The latest generation of fast response emission

control technology ensures that the engine complies with stringent environmental standards such as California's ULEV II.

Volvo S80 T6 AWD (281 hp)

Engine type: 3.0-liter in-line six-cylinder engine with Twin-scroll turbo
Max power output: 281 hp at 5600 rpm
Max torque: 295 ft./lbs. at 1500-4800 rpm
Acceleration 0–60 mph: 6.5 seconds
Top speed, auto: 130 mph
Fuel consumption, mpg, mixed cycle: N/A
Environmental classification: ULEV II
Transmission: Six-speed Geartronic automatic

Volvo S80 3.2 (235 hp)

Engine type: 3.2-liter in-line six-cylinder engine
Max power output: 235 hp at 6200 rpm
Max torque: 236 ft./lbs. at 3200 rpm
Acceleration 0–60 mph: 7.4 sec
Top speed: 130 mph
Fuel consumption, mpg, mixed cycle: N/A
Environmental classification: ULEV II
Transmission: Six-speed Geartronic automatic

DRIVELINE

Front wheel drive (V8 AWD and T6 AWD feature an electronically controlled all-wheel drive system). Transverse engine. Six-speed Geartronic automatic is standard. Geartronic—a responsive six-speed automatic for relaxed driving that also allows manual gear shifting so that you can maintain a lower gear to bring up the rpm, or provide the added assistance of engine braking.

CHASSIS

Front suspension with spring struts (McPherson), anti-dive and anti-lift function. Active multi-link independent rear suspension. Stabilizer bars front and rear. DSTC (Dynamic Stability and Traction Control). The rigid body enables optimal suspension performance, balanced handling and a high level of comfort. Front and rear suspension inter-act to provide stable braking and smooth steering. In a curve, the rear wheels have a slight steering facility for added stability and steering response. The DSTC system engages if either of the drive wheels begins to lose traction or if a skid is imminent.

STEERING

Power-assisted hydraulic rack and pinion steering. Tilt and telescopic steering wheel column. 2.8 turns lock to lock. Turning circle 36.7 ft. (depending on tires).

Steering is responsive yet firm. The optional speed dependent power steering gives progressively less power assistance the faster you drive. Higher steering precision and enhanced road feedback are further benefits. At lower speeds, added power assistance makes the car even easier to maneuver, for instance when parking. Three different steering force levels can be selected in the car's information menu to suit different drivers and driving conditions.

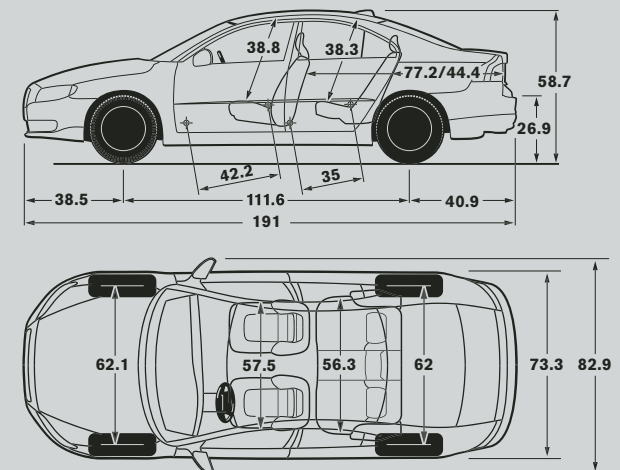
BRAKES

Power-assisted anti-lock disc brakes (ABS), ventilated discs front. OHB (Optimized Hydraulic Brakes). HBA (Hydraulic Brake Assist). RAB (Ready Alert Brakes). FBS (Fading Brake Support). EBD (Electronic Brake Distribution) between the front and rear brakes. Diagonally split braking system.

Generously dimensioned anti-lock disc brakes and optimized hydraulics help to ensure a short stopping distance in all situations. Furthermore, they withstand tough use without fading. HBA helps you use your brakes to the full in an emergency situation, while RAB anticipates severe braking and prepares for it by moving the brake pads closer to the discs. FBS automatically compensates for the higher pedal forces required after long periods of heavy braking. EBD distributes the braking effect between the front and rear wheels to achieve optimal results according to load and driving conditions.

FUEL TANK

18.5 US Gallons



Meet the family.

S



Volvo S40 The compact and energetic sedan.



Volvo S60 The sports sedan worth getting passionate about.



Volvo S80 The premier sedan, meticulously engineered for superior driving comfort.

V



Volvo V50 The Sportswagon – flexible, compact and full of zest.



Volvo V70 The genuine family wagon – highly competitive yet comfortably versatile.

XC



Volvo XC70 The rugged yet stylish all-roader.



Volvo XC90 The versatile SUV that takes you anywhere with grace.

C



Volvo C30 The compact and charismatic SportsCoupe.



Volvo C70 A convertible when you want it.



Volvo C70 A coupe when you need it to be.

To live life is to care about it.

Every moment in a Volvo is a moment designed to celebrate life. A life full of twists and turns, ups and downs; the little things as well as the big ones. Of course, to live life to its fullest isn't just about you; caring for others is important as well.

For more than eighty years we have helped save lives on roads around the world. Nevertheless, when it comes to improving automotive safety, we will never be satisfied. And while we're seeking new solutions, our existing safety systems are preventing many accidents from happening and providing some real protection when they do.

Our passion for life means looking after our children's children, too. Which is why we try to balance the needs of our company with those of society. With this bigger picture in mind, we develop engines and technology that have less impact on mother earth. This approach also explains why we pay so much attention to your immediate environment – in the car. Simply put, we care about you – and the whole circle of life.

Taking care of your ownership needs.

It's a simple idea; one point of contact for all your car ownership needs, whether it's finding the right financing or who to contact in an emergency. Get the most out of owning your Volvo.

Volvo Car Finance North America

If you purchase or lease your Volvo through Volvo Car Finance North America, you can take advantage of services designed to make financing simple and convenient. Quick Debit, for instance, enables you to have your monthly payment automatically debited from a designated bank account. For more information, call 1-800-770-8234 or visit www.volvofinance.com

On Call roadside assistance

Whenever you need us, we're just a phone call away. Our nationwide network of retailers and authorized service providers are ready to assist. Whether you require roadside assistance or maps and routing information for your next trip, refer to your On Call Card and dial 1-800-63-VOLVO – anytime, day or night. Your complimentary four-year membership activates the moment you become a Volvo owner.

Volvo new car warranty

Your new car warranty provides comprehensive coverage for four years or 50,000 miles, whichever occurs first. Additional warranties cover corrosion, seat belts, the supplemental restraint system, emission systems, genuine Volvo replacement parts and genuine Volvo accessories. Should you encounter any problem with your Volvo, simply contact the nearest retailer for assistance. Where your warranty ends, Volvo Increased Protection (VIP) plans begin. To purchase the additional protection of a VIP plan, contact your local retailer.

Complimentary Factory Scheduled Maintenance

Volvo is committed to a premium ownership experience for its customers. To further enhance your ownership experience, all 2009 model year Volvo's sold new through Volvo retailers in the United States will include Complimentary Factory Scheduled Maintenance. This program provides scheduled maintenance coverage for the first 3 years or 36,000 miles, is designed to compliment your Volvo warranty, and will help ensure trouble free operation of your Volvo. Coverage includes factory recommended maintenance including oil and filter changes, checks and adjustments as listed in your Warranty and Maintenance Records Information booklet, for the first four maintenance services at intervals of 7,500, 15,000, 22,500 and 30,000 miles

Service must be performed within 1,500 miles before or after each scheduled interval. Coverage is limited to scheduled maintenance items listed in the 2009 model year Warranty and Maintenance Records Information booklet. Normal wear items such as brake pads and wiper blades are not covered under the Complimentary Factory Scheduled Maintenance. An authorized retailer must perform maintenance. Offer is transferable.

Optional Factory Scheduled Maintenance program upgrades are also available that will allow you to customize coverage to meet your driving needs. See your Volvo retailer for details.

Volvo genuine service

The best way to ensure superior performance year after year is to bring your Volvo to your authorized retailer for regular maintenance. Our service advisors and factory-trained technicians are uniquely qualified to maintain your automobile. With the aid of advanced Volvo diagnostics, they follow all prescribed factory maintenance outlined in your service interval manual. Genuine Volvo Service is our ongoing commitment to you: to keep your Volvo performing smoothly long after other cars have given up.

Volvo mobility program

The goal of the Volvo Mobility Program is to assist persons with physical disabilities or hearing impairment achieve independence. For those with exceptional transportation needs, freedom can be facilitated within the extraordinary comfort and safety of a specially adapted Volvo. For additional information on this program, please contact the Volvo Mobility Program Headquarters at (800) 803-5222 or visit www.volvocars.us/mobility. TTY users are invited to call 1-800-833-0312.

Personal shopper

The Volvo Personal Shopper is dedicated to providing you with a whole new level of shopping convenience. Whether you'd like help identifying the Volvo model that best fits your lifestyle, detailed information on any Volvo model, or a comparison against the competition, Volvo is there to help. We can arrange a Guest Drive for you at your nearest Volvo Retailer. So make the most of your shopping time and call the Volvo Personal Shopper at 1-800-550-5658. (U.S. only)

Volvo Overseas Delivery.

Volvo Overseas Delivery offers a unique way to buy your new custom-built car as well as a unique way to see more of Europe. And when you're done traveling, bring the pleasure of driving a Volvo back home. Purchase any new Volvo as part of the Volvo Overseas Delivery Program and enjoy all this – and more:

- Attractive pricing on US models.
- Two complimentary round-trip tickets with Scandinavian Airlines.
- One free hotel night in Gothenburg, Sweden, the home of Volvo.
- An exciting Volvo Factory Tour or a visit to the new Volvo Brand Experience Center.
- An exclusive VIP delivery experience at the Volvo Factory Delivery Center.
- The opportunity to explore Europe in the comfort and safety of your own Volvo, either with one of our spectacular tours or on your own.
- Extensive complimentary home shipment services. Just leave your car with us. We'll ship it to you the convenient way while you relax and enjoy your complimentary flight back home.

Can you think of a better way of traveling overseas and making your souvenir part of an unforgettable experience?

If you would like to know more, contact your local Volvo retailer, our Customer Care Center (800) 631-1667, or visit www.volvocars.us/mybagsarepacked

A world of colors.



614 Ice White



453 White Pearl*
(V8 AWD)



426 Silver metallic*
(3.2 and T6 AWD)



477 Electric Silver metallic*



466 Barents Blue metallic*
(3.2 and T6 AWD)



493 Caper Green metallic*
(3.2 and T6 AWD)



472 Oyster Grey metallic*



487 Ember Black metallic*



492 Savile Grey metallic*



019 Black Stone
(3.2 and T6 AWD)

* Metallic paint is an option.

Please note: It is not possible to reproduce exact original shades in this brochure. Ask your Volvo retailer to show you samples.

As part of our commitment to the environment, the paper used in this brochure is recycled, and color choices were printed directly on the page. This eliminates the need for chemically treated color chips. A small thing perhaps, but then, every little bit helps.

Volvo. for life

VOLVO
Volvo Car Corporation



Mixed Sources
Product group from well-managed
forests, controlled sources and
recycled wood or fibre

Cert no. SGS-COC-003959
www.fsc.org
© 1996 Forest Stewardship Council

WWW.VOLVOCARS.US

Specifications, features, and equipment shown in this catalog are based upon the latest information available at the time of publication. Volvo Cars of North America, LLC reserves the right to make changes at any time, without notice, to colors, specifications, accessories, materials, and models. For additional information, please contact your authorized Volvo retailer.

© 2008 Volvo Cars of North America, LLC. Printed in USA. **MY09D**