

SIGSAUER[®]
when it counts[®]



1911 .22LR

OWNERS MANUAL: HANDLING & SAFETY INSTRUCTIONS

READ THE INSTRUCTIONS AND WARNINGS IN THIS MANUAL CAREFULLY BEFORE USING THIS FIREARM; DO NOT DISCARD THIS MANUAL.

This instruction manual should always accompany this firearm and be transferred with it upon ownership, or when the firearm is loaned or presented to another person.

State-By-State Warnings

Certain states require, by law, that their own specified warning notices, in larger-than-normal type be conspicuously included by the manufacturer, distributor, or retail dealer with firearms sold in that state. SIG SAUER sells its products in compliance with applicable laws and regulations. Because our products may be sold in these states, we include the following:

CALIFORNIA: WARNING

“Children are attracted to and can operate firearms that can cause severe injuries or death. Prevent child access by always keeping guns locked away and unloaded when not in use. If you keep a loaded firearm where a child obtains and improperly uses it, you may be fined or sent to prison.”

ADVERTENCIA

“A los niños atraen las armas de fuego y las pueden hacer funcionar. Ellos pueden causarse lesiones graves y la muerte. Evite que los niños tengan acceso a las armas de fuego guardándolas siempre con llave y descargadas cuando no las esté utilizando. Si usted tiene una arma de fuego cargada en un lugar en que un niño tiene acceso a ella y la usa indebidamente, le pueden dar una multa o enviarlo a la cárcel.”

CONNECTICUT:

“UNLAWFUL STORAGE OF A LOADED FIREARM MAY RESULT IN IMPRISONMENT OR FINE.”

FLORIDA:

“IT IS UNLAWFUL, AND PUNISHABLE BY IMPRISONMENT AND FINE, FOR ANY ADULT TO STORE OR LEAVE A FIREARM IN ANY PLACE WITHIN THE REACH OR EASY ACCESS OF A MINOR UNDER 18 YEARS OF AGE OR TO KNOWINGLY SELL OR OTHERWISE TRANSFER OWNERSHIP OR POSSESSION OF A FIREARM TO A MINOR OR A PERSON OF UNSOUND MIND.”

MAINE:

“ENDANGERING THE WELFARE OF A CHILD IS A CRIME. IF YOU LEAVE A FIREARM AND AMMUNITION WITHIN EASY ACCESS OF A CHILD, YOU MAY BE SUBJECT TO FINE, IMPRISONMENT OR BOTH. KEEP FIREARMS AND AMMUNITION SEPARATE. KEEP FIREARMS AND AMMUNITION LOCKED UP. USE TRIGGER LOCKS.”

MARYLAND:

“WARNING: Children can operate firearms which may cause death or serious injury. It is a crime to store or leave a loaded firearm in any location where an individual knew or should have known that an unsupervised minor would gain access to the firearm. Store your firearm responsibly!”

MASSACHUSETTS:

“WARNING FROM THE MASSACHUSETTS ATTORNEY GENERAL: This handgun is not equipped with a device that fully blocks use by unauthorized users. More than 200,000 firearms like this one are stolen from their owners every year in the United States. In addition, there are more than a thousand suicides each year by younger children and teenagers who get access to firearms. Hundreds more die from accidental discharge. It is likely that many more children sustain serious wounds, or inflict such wounds accidentally on others. In order to limit the chance of such misuse, it is imperative that you keep this weapon locked in a secure place and take other steps necessary to limit the possibility of theft or accident. Failure to take reasonable preventative steps may result in innocent lives being lost, and in some circumstances may result in your liability for these deaths.”

“IT IS UNLAWFUL TO STORE OR KEEP A FIREARM, RIFLE, SHOTGUN OR MACHINE GUN IN ANY PLACE UNLESS THAT WEAPON IS EQUIPPED WITH A TAMPER RESISTANT SAFETY DEVICE OR IS STORED OR KEPT IN A SECURELY LOCKED CONTAINER.”

NEW JERSEY:

"IT IS A CRIMINAL OFFENSE TO LEAVE A LOADED FIREARM WITHIN EASY ACCESS OF A MINOR."

NEW YORK CITY, NY:

"THE USE OF A LOCKING DEVICE OR SAFETY LOCK IS ONLY ONE ASPECT OF RESPONSIBLE FIREARMS STORAGE. FOR INCREASED SAFETY, FIREARMS SHOULD BE STORED UNLOADED AND LOCKED IN A LOCATION THAT IS BOTH SEPARATE FROM THEIR AMMUNITION AND INACCESSIBLE TO CHILDREN AND OTHER UNAUTHORIZED PERSONS."

NORTH CAROLINA:

Any person who resides in the same premises as a minor, owns or possesses a firearm, and stores or leaves the firearm (i) in a condition that the firearm can be discharged and (ii) in a manner that the person knew or should have known that an unsupervised minor would be able to gain access to the firearm, is guilty of a Class 1 misdemeanor if a minor gains access to the firearm without the lawful permission of the minor's parents or a person having charge of the minor and the minor:

- (1) Possesses it in violation of G.S. 14-269.2(b)
- (2) Exhibits it in a public place in a careless, angry, or threatening manner;
- (3) Causes personal injury or death with it not in self defense; or
- (4) Uses it in the commission of a crime.

TEXAS:

"IT IS UNLAWFUL TO STORE, TRANSPORT, OR ABANDON AN UNSECURED FIREARM IN A PLACE WHERE CHILDREN ARE LIKELY TO BE AND CAN OBTAIN ACCESS TO THE FIREARM."

WISCONSIN:

"IF YOU LEAVE A LOADED FIREARM WITHIN THE REACH OR EASY ACCESS OF A CHILD YOU MAY BE FINED OR IMPRISONED OR BOTH IF THE CHILD IMPROPERLY DISCHARGES, POSSESSES, OR EXHIBITS THE FIREARM."

Please check with your licensed retailer, state police, or local police for additional warnings, which may be required by local law or regulation. Such regulations change constantly, and local authorities are in the best position to advise you on such legal matters.



WARNING - LOCKING DEVICES



This firearm was originally sold with a key-operated locking device. While it can help provide secure storage for your unloaded firearm, any locking device can fail. All guns are designed to fire if they are loaded and the trigger is pulled. Therefore, never install the locking device inside the trigger guard or in any way that makes it possible to pull the trigger! Do not leave the keys in the lock.

The ultimate responsibility for secure storage of any firearm must depend upon its owner and his or her individual circumstances. Firearms should be stored unloaded, in a secure location, separate from their ammunition.



**NEVER INSTALL THE
LOCKING DEVICE INSIDE
THE TRIGGER GUARD**

To maximize effectiveness and reduce the chances of malfunction or damage to a firearm, ALWAYS refer to the locking device's manufacturer directions for installation and removal of the device.

FIREARMS SAFETY IS YOUR RESPONSIBILITY

This owner's manual is designed to assist you in learning how to use and care for your SIG SAUER® pistol properly.

Only when you are certain that you fully understand this manual and can properly carry out its instructions, should you practice loading and firing your firearm with live ammunition. Having a gun in your possession is a full-time job; you cannot guess and you cannot forget. You must know how to use your firearm safely.

If you have any doubts about your ability to handle or use this firearm safely, you should seek supervised instruction. The Sig Sauer Academy™ provides all levels of firearms safety and skill training, from beginner to expert.

For more information contact:



www.sigsaueracademy.com • (603) 679-2003

Main campus: Epping, New Hampshire
Satellite Facilities: Range 82, Midland, VA
NRA Whittington Center, Raton, NM

SAFETY MUST BE THE FIRST AND CONSTANT CONSIDERATION OF EVERY PERSON WHO HANDLES FIREARMS AND AMMUNITION.

For more information about safety, responsible firearms ownership, and shooting sports, contact:

National Rifle Association (NRA) of America
11250 Waples Mill Road, Fairfax, VA 22030-7400 • 1-800-672-3888
www.nra.com

TABLE OF CONTENTS

Topic	Page
State-By-State Warnings	2
Locking Device	6
Warnings of Great Importance	10
1.0 Safety Rules	11
1.1 Protect Your Eyes and Ears	12
2.0 Mechanical Characteristics and Weapon Theory	12
2.1 Weapon Description	12
2.1.1 Introduction	12
2.2 Main Parts	14
2.3 Safety Mechanism	15
2.4 Unlock the pistol	15
2.5 Disconnecter	16
2.6 Firing Pin Safety	16
3.0 Ammunition	15
4.0 Handling	22
4.1 Preparation Instructions	22
4.2 Loading the Magazine	22
4.3 Loading the Pistol (ready to fire)	23
4.4 Reloading During Firing	24
5.0 Firing	25
5.1 Clearing a Jam	28
6.0 Unloading the Pistol	30
6.1 Unloading the Pistol (Magazine not Empty)	30

Topic	Page
7.0 Procedures in Case of Malfunction	32
7.1 Troubleshooting Guide	33
7.2 Minimize Malfunctions	34
8.0 Maintenance	35
8.1 Pistol Disassembly	36
8.2 Cleaning the Pistol	40
8.3 Pistol Assembly	42
8.4 Function Verification	44
8.5 Manual Safety, Grip Safety, Magazine Safety	47
8.6 The magazine and the outside condition of the pistol	48
9.0 Sights	50
9.1 General Information	50
9.2 Sight Adjustment	51
10.0 Specifications	52
10.1 Parts Diagram & Parts List	52
10.2 Transportation and Storage	56
11.0 Service and Parts Policy	57
11.1 Parts Policy	57
11.2 Service Policy	58
11.3 Shipping Firearms for Repair	59
11.4 Ordering Parts	61
The Basic Rules of Safe Firearms Handling	62
Warranty Information	63

WARNINGS OF GREAT IMPORTANCE ARE FOUND WITHIN THIS MANUAL

Locking Devices	6	Unloading	29, 31
Alterations	10	Jam	32, 34
Ammunition	17, 21	Cleaning	40
Lodged Bullet	19	Maintenance	44, 46
Lead Exposure	21	Inspection	46
Loaded Pistol	23, 26	Alterations	49
Malfunction	26	Sight Adjustment	50
Trigger	27	Storage	56
Handling	28	Parts Purchasers	58
Dropped Pistol	28	Shipping	61

OTHER CAUTIONS AND WARNINGS APPEAR THROUGHOUT THE MANUAL

FIREARMS ARE DANGEROUS WEAPONS

**READ THE INSTRUCTIONS AND WARNINGS IN THIS
MANUAL THOROUGHLY AND CAREFULLY BEFORE USING.**



WARNING - ALTERATIONS



This product was designed to function properly in its original condition. Alterations can make it unsafe. Do not alter any part or add or substitute any parts or accessories not manufactured by SIG SAUER Inc.

DO NOT ALTER ANY GUN

1.0 Safety Rules

The safety warnings in this manual are important. By understanding the dangers inherent in the use of any firearm, and by taking the precautions described herein, you can experience complete safety in the use of your pistol. Failure to heed any of these warnings may result in serious injury to you or others, as well as severe damage to the firearm or other property.

PISTOLS are classified as FIREARMS and are sold by SIG SAUER with the specific understanding that we shall not be responsible in any manner whatsoever for malfunctioning of the firearm, physical injury or property damage resulting in whole or in part from:

- criminal or negligent discharge;
- improper or careless handling;
- unauthorized modifications; defective, improper, hand-loaded, or reloaded ammunition;
- corrosion;
- neglect; or
- other influences beyond our direct and immediate control.

This limitation applies regardless of whether liability is asserted on the basis of contract, negligence, or strict liability (including any failure to warn). Under no circumstance shall SIG SAUER, Inc. be liable for incidental or consequential damages, such as loss of use of property, commercial loss, and loss of earnings or profits.

1.1 Protect Your Eyes and Ears

Always wear safety glasses that meet the requirements of American National Standards Institute (ANSI) Z87.1 and ear plugs or “ earmuff ” type protectors whenever you are shooting. Always make certain that persons close to you are similarly protected. Unprotected eyes may be injured by powder, gas, carbon residue, lubricant, metallic particles, or similar debris that may emanate occasionally from any firearm in normal use. Without ear protection, repeated exposure to shooting noise may lead to cumulative, permanent hearing loss.

2.0 Mechanical Characteristics and Weapon Theory

2.1 Weapon Description

2.1.1. Introduction

You are now the owner of one of the world’s finest and most superbly produced firearms. The SIG SAUER 1911 Series semiautomatic pistol has been crafted to meet the stringent requirements of the military, law enforcement and sportsmen. Used with the proper ammunition and given reasonable maintenance, it will serve you dependably and well for many years.

To make sure you get the best performance and reliability from your pistol, please read and follow the procedures outlined in this manual. You’ll notice

that we place a heavy emphasis on safe firearms handling. Like any other precision mechanical device, such as automobiles or power tools, high-quality firearms are inherently safe unless they are handled in a careless or irresponsible manner. Always remember that you, the owner, are the ultimate firearms safety device.

This manual only applies to the SIG SAUER 1911-22 Series pistol. Be certain this manual is available for reference and kept with this pistol if transferred to a new user or owner.

If you have any questions or comments about this pistol and its use and maintenance, or need more information about other SIG SAUER products and accessories, please call (603) 610-3000 ext. 3, or write:

SIG SAUER Inc.
Customer Service Department
18 Industrial Drive
Exeter, NH 03833

2.2 Main Parts



- | | |
|----------------|---|
| 1 Slide | 44 Hammer |
| 2 Receiver | 47 Trigger |
| 3 Slide stop | 49 Grip safety |
| 5 Magazine | 50 Manual safety |
| 12 Front sight | 60 Magazine catch |
| 13 Rear sight | 63 Magazine safety (inside
mainspring housing) |
| 16 Barrel | |

Note: Refer to section 13 for a detailed parts list and diagram.

2.3 Safety mechanism

2.4 Unlock the pistol



Fig. 1: Safety is active

Push safety lever downwards as far as it will go (Figure 2)

The grip safety (Figure 3) is behind the receiver and blocks the trigger.

Firing is only possible with the safety lever down and grip safety depressed.

In this condition the hammer will fall when the trigger is pulled.

(The safety can only be activated when the hammer is in a cocked position.)



*Fig. 2: Safety is deactivated.
Pistol is cocked and ready to fire.*



Fig. 3: Grip safety

2.5 Disconnecter

The disconnecter is a passive safety which locks and unlocks automatically while the slide moves. The disconnecter releases the sear when slide is moving and prevents firing before the slide is in battery.

2.6 Firing Pin Safety

The firing pin safety is a passive safety which keeps the firing pin in its position until the trigger is pulled. This effectively blocks firing pin movement and prevents unintended discharge in the event of a drop.

3.0 Ammunition

1. Use only high-quality, original, factory-manufactured ammunition. Do not use cartridges that are dirty, wet, corroded, bent, or damaged. Do not oil cartridges. Do not spray aerosol-type lubricants, preservatives, or cleaners directly onto cartridges or where excess spray may flow into contact with cartridges. Lubricant or other foreign matter on cartridges can cause potentially dangerous ammunition malfunctions. Only use ammunition of the caliber for which your firearm is chambered. The proper caliber is permanently engraved on your firearm; never attempt to use ammunition of any other caliber. The Sig Sauer 1911-22 pistol is designed to function with 22 Long Rifle High Velocity ammunition only.

2. The use of reloaded, “remanufactured” hand-loaded, or other non-standard ammunition voids all warranties. Reloading is a science and improperly loaded ammunition can be extremely dangerous. Severe damage to the firearm and serious injury to the shooter or to others may result. Always use ammunition that complies with the industry performance standards established by the Sporting Arms and Ammunition Manufacturers’ Institute, Inc. (SAAMI) of the United States or ammunition manufactured to military specifications.



WARNING – AMMUNITION (CARTRIDGE) NOTICE

SIG SAUER SPECIFICALLY DISCLAIMS RESPONSIBILITY FOR ANY DAMAGE OR INJURY WHATSOEVER OCCURRING IN CONNECTION WITH, OR AS A RESULT OF, THE USE IN ANY SIG SAUER FIREARM OF FAULTY, NON-STANDARD, “REMANUFACTURED” HAND-LOADED (RELOADED) AMMUNITION, OR CARTRIDGES OTHER THAN THOSE FOR WHICH THE FIREARM WAS ORIGINALLY CHAMBERED.

3. Firearms may be severely damaged and serious injury to the shooter or to others may result from any condition causing excessive pressure inside the chamber or barrel during firing. Excessive pressure can be caused by obstructions in the barrel, propellant powder overloads, the use of incorrect cartridges, or defectively assembled cartridges. In addition, the use of a dirty, corroded, or damaged cartridge can lead to a burst cartridge case and consequent damage to the firearm and personal injury from the sudden escape of high-pressure propellant gas within the firearm's mechanism.

4. Immediately stop shooting and check the barrel for a possible obstruction whenever:

- You have difficulty in, or feel unusual resistance in, chambering a cartridge
- A cartridge misfires (does not go off)
- The mechanism fails to extract a fired cartridge case
- Unburned grains of propellant powder are discovered spilled in the mechanism
- A shot sounds weak or abnormal. In such cases it is possible that a bullet is lodged partway down the barrel. Firing a subsequent bullet into the obstructed barrel can wreck the firearm and cause serious injury to the shooter or to bystanders

5. Bullets can become lodged in the barrel:

- If the cartridge has been improperly loaded without propellant powder, or if the powder fails to ignite (ignition of the cartridge primer alone will push the bullet out of the cartridge case, but usually does not generate sufficient energy to expel the bullet completely from the barrel).
- If the bullet is not properly seated in the cartridge case. When such a cartridge is extracted from the chamber without being fired, the bullet may be left behind in the bore at the point where the rifling begins. Subsequent chambering of another cartridge may push the first bullet further into the bore.

6. If there is any reason to suspect that a bullet is obstructing the barrel, immediately unload the firearm and look through the bore. It is not sufficient to merely look in the chamber. A bullet may be lodged some distance down the barrel where it cannot easily be seen.



WARNING – LODGED BULLET

IF A BULLET IS IN THE BORE, DO NOT ATTEMPT TO SHOOT IT OUT BY USING ANOTHER CARTRIDGE OR BY BLOWING IT OUT WITH A BLANK OR ONE FROM WHICH THE BULLET HAS BEEN REMOVED. SUCH TECHNIQUES CAN GENERATE EXCESSIVE PRESSURE, DAMAGE THE FIREARM, AND CAUSE SERIOUS PERSONAL INJURY.

If the bullet can be removed with a cleaning rod, clean any unburned powder grains from the bore, chamber, and mechanism before resuming shooting. If the bullet cannot be dislodged by tapping it with a cleaning rod, send the firearm to SIG SAUER.

7. Dirt, corrosion, or other foreign matter on a cartridge can impede complete chambering and may cause the cartridge case to burst upon firing. The same is true of cartridges that are damaged or deformed.

8. Do not oil cartridges, and be sure to wipe the chamber clean of any oil or preservative before commencing to shoot. Oil interferes with the friction between cartridge case and chamber wall that is necessary for safe functioning, and subjects the firearm to stress similar to that imposed by excessive pressure.

9. Use lubricants sparingly on the moving parts of your firearm. Avoid excessive spraying of any aerosol gun care product, especially where it may

get on ammunition. All lubricants and aerosol spray lubricants, in particular, can penetrate cartridge primers and cause misfires. Some highly penetrative lubricants can also migrate inside cartridge cases and cause deterioration of the propellant powder; on firing, the powder may not ignite. If only the primer ignites, there is danger that the bullet may become lodged in the barrel.

**WARNING - AMMUNITION**



Death, serious injury, and damage can result from the use of wrong ammunition, bore obstructions, powder overloads, or incorrect cartridge components. Always wear shooting glasses and hearing protectors.

IMPROPER AMMUNITION DESTROYS GUNS**WARNING - LEAD EXPOSURE**



Discharging firearms in poorly ventilated areas, cleaning firearms, or handling ammunition may result in exposure to lead and other substances known to the state of California to cause birth defects, reproductive harm, and other serious physical injury. Maintain adequate ventilation at all times. Wash hands thoroughly after exposure.

SHOOTING OR CLEANING GUNS MAY EXPOSE YOU TO LEAD

4.0 Handling

4.1 Preparation Instructions

If you have the pistol and ammunition, and have read and understood all of the safety instructions, you are now ready to use the pistol.

4.2 Loading the Magazine

1. Put the cartridge on the follower, near the magazine feed lips. (figure 1)
2. Pull down the follower pin of the magazine.
3. Push the bullet to the back stop of the magazine.
4. Load only the quantity of rounds into the magazine, you want to fire.
(max. 10 rounds)

Quantity of rounds in the magazine can be checked by the magazine-slot.



4.3 Loading the pistol (ready to fire)

1. Point the pistol in a safe direction.
2. Insert a full magazine and ensure it is engaged.
3. Pull the slide back fully and release, allowing the slide to fly forward.
4. The pistol is cocked and ready for firing with Single-Action-trigger.



WARNING – LOADED PISTOL

THE PISTOL IS NOW LOADED AND READY TO FIRE.

- Never load or reload the gun in a vehicle, a room or another small area (except a shooting range).
- Before loading always wipe off excess grease and oil and check to see if there are any foreign objects/material in the barrel.
- Always keep the muzzle of the gun pointed in a safe direction.
- Do not put your finger on the trigger. Keep your finger outside the trigger guard.
- Load the gun by inserting the magazine directly before firing.
- Never pull the hammer back by hand but with the slide to cock it and to avoid an accidentally discharge.
- Never rely on safety mechanisms alone. Safety mechanisms are not a substitute for careful, correct and secure handling of the gun.
- Never let a loaded gun out of your hand.

4.4 Reloading During Firing

When the last round in the magazine is expended, the slide will be locked back in the open position by the slide stop.

1. When the magazine is empty, the slide will be locked in the open position.
2. Remove your finger from the trigger.
3. Remove the empty magazine.
4. Put one hand under the magazine.
5. Push the magazine catch.
6. Pull out the magazine by hand.
7. Insert full magazine and ensure that it is fully engaged.
8. Pull the slide stop downwards or pull back the slide until it stops.
9. Then release allowing the slide to spring forward.
10. The pistol is loaded again and ready to fire.

5.0 Firing

- Ensure that the target and surroundings allow shots to be fired without danger.
- Be certain when firing that your fingers, hands or other parts of the body are not in front of, above or beside the barrel muzzle or the ejector port.
- Never allow a person to stand next to you where they could be hit by ejected cartridge cases.
- When shooting, always wear ear protection and protective eye glasses.
- Inform other people close to you about the need to wear ear protection and protective eye glasses.
- Interrupt shooting immediately and unload the gun if you suspect that a round is not inserted correctly, a case is jammed, a round may have blocked the barrel or a shot sounds or gives sensation that it may be “weak” or unusual.
- Never try to dislodge a blockage by firing another round.



WARNING

**TO PREVENT DAMAGE NEVER FIRE THE
PISTOL ON AN EMPTY CHAMBER.**



WARNING – LOADED PISTOL

THE PISTOL IS NOW LOADED AND READY TO FIRE.

Always make sure the muzzle is pointed in a safe direction! Never attempt to load or unload any firearm inside a vehicle, building, or other confined space (except a properly constructed shooting range). Enclosed areas frequently offer no completely safe direction to point the firearm; if an accidental discharge occurs, there is great risk of bodily injury or property damage. Before loading, always clean all grease and oil from the bore and chamber, and check to be certain that no obstruction is in the barrel. Any foreign matter in the barrel could result in a bulged or burst barrel or other damage to the firearm, and could cause serious injury to the shooter or to others.



WARNING – MALFUNCTION

IF, WHILE SHOOTING, YOUR FIREARM DEVELOPS A MECHANICAL MALFUNCTION OR BINDING, OR “SPITS” POWDER/GAS, OR IF A CARTRIDGE PRIMER IS PUNCTURED, OR A CARTRIDGE CASE IS BULGED OR RUPTURED, OR IF THE REPORT ON FIRING DOES NOT SOUND QUITE RIGHT, STOP SHOOTING IMMEDIATELY! IT MAY BE DANGEROUS TO CONTINUE. UNLOAD THE FIREARM – DO NOT TRY “ONE MORE SHOT.” TAKE THE FIREARM AND THE AMMUNITION TO A GUNSMITH FOR EXAMINATION.

**WARNING – TRIGGER**

DO NOT TOUCH THE TRIGGER UNTIL YOU ARE ACTUALLY READY
TO FIRE THE PISTOL.

Keep the muzzle pointed in a safe direction and your finger away from the trigger when cocking any firearm.

Never fire any firearm with your finger, hand, face, or other part of your body over or adjacent to the ejection port, or in any position where you may be struck by reciprocating movement of the breech. Both the ejection of empty cartridge cases and the movement of the breech are part of the normal operating cycle of firearms, and pose no safety hazard to the shooter if the firearm is held in a normal grip and fired at arm's length.

Never allow other persons to stand beside you where they might be struck by an ejected cartridge case. The case is hot, and may be ejected with sufficient force to cause a burn, cut, or other injury. Wear safety glasses to protect eyes. Make certain there is a clear, unobstructed path for safe ejection of the fired case. Remember, the case may bounce off a hard object nearby and strike you or someone else.

5.1 Clearing a Jam

While shooting any firearm, an unfired cartridge or fired cartridge case may occasionally become jammed between the slide and the barrel. WHILE KEEPING THE MUZZLE POINTED IN A SAFE DIRECTION, clear the jam as follows:

1. Remove the magazine, then
2. Pull back the slide and lock it to the rear by pushing up the slide catch lever.
3. The jammed cartridge or case now can be removed by shaking it out or by picking it out.

WARNING – HANDLING



The slide opens and shuts quickly while firing. Keep face and hands away from it. Hot brass and powder gas is ejected quickly and can burn you. Always wear safety glasses and hearing protectors.

SLIDE OPENS FAST – HOT BRASS EJECTED

WARNING – DROPPED PISTOL



If dropped, the pistol may fire. Keep the chamber empty unless actually firing!

ANY GUN MAY FIRE IF DROPPED

! WARNING – UNLOADING



Removing cartridges from the magazine does not prevent the pistol from being fired! When there is a cartridge in the chamber, the cartridge will discharge if the trigger is pulled. It is absolutely essential for the user to know how to completely unload the pistol. "Completely" means emptying the magazine and removing a chambered cartridge.

PISTOL WILL FIRE WITH MAGAZINE EMPTY OR REMOVED

6.0 Unloading the Pistol

6.1 Unloading the Pistol (Magazine not Empty)

1. Remove your finger from the trigger.
2. Keep the muzzle of the pistol in a safe direction. Push the manual safety UP to engage.
3. Remove the magazine (5) by means of the magazine catch (60).
4. Depress the manual safety to unlock the slide.
5. Pull back the slide until it stops. The cartridge will be ejected.
6. Engage the slide stop by pressing upward to lock the slide back.
7. Check the pistol visually and manually check the chamber to ensure the pistol is completely free of ammunition.



Always make sure the muzzle is pointed in a safe direction! Remember to clear the chamber after the magazine has been removed.

Never assume that any gun is unloaded until you have personally checked it, visually and physically!

After every shooting practice, make a final check to be certain the firearm is unloaded before leaving the range.

! WARNING – UNLOADING



Removing cartridges from the magazine does not prevent the pistol from being fired! When there is a cartridge in the chamber, the cartridge will discharge if the trigger is pulled. It is absolutely essential for the user to know how to completely unload the pistol. "Completely" means emptying the magazine and removing a chambered cartridge.

**PISTOL WILL FIRE WITH MAGAZINE EMPTY
OR REMOVED**

7.0 Procedures in Case of Malfunction (“Jam”)

Follow the malfunction mitigation procedures if:

- You notice that a cartridge is difficult to chamber
- A cartridge does not go off
- The mechanism fails to extract a fired cartridge case
- You discover unburned grains of propellant powder spilled in the mechanism
- A shot sounds or feels weak or abnormal

 **WARNING – JAM**

LIVE ROUND JAM MAY NOT EJECT.

Firearms work reliably if properly maintained. If there is a malfunction during firing:

1. Keep the pistol pointed in a safe direction with your finger off the trigger.
2. Remove and secure the magazine.
3. Move the slide rearward and forward to clear any cartridge case in or near the chamber. Visually and manually inspect the chamber.
4. If you suspect that a bullet is lodged in the bore, field strip your pistol and check to see if the barrel is blocked. If there is a bullet lodged in the bore, return the pistol to SIG SAUER (see section 11.3 “Shipping Firearms for Repair”).

 **WARNING – JAM**

IF A BULLET IS IN THE BORE, DO NOT ATTEMPT TO SHOOT IT OUT BY USING ANOTHER CARTRIDGE, OR BY BLOWING IT OUT WITH A BLANK OR A CARTRIDGE FROM WHICH THE BULLET HAS BEEN REMOVED. THIS CAN GENERATE EXCESSIVE PRESSURE, DAMAGE THE FIREARM AND CAUSE SERIOUS PERSONAL INJURY OR DEATH.

7.1 Troubleshooting Guide

Malfunction	Cause	Correction
Feed		
No round fed into the chamber	Magazine not properly inserted or magazine is deformed or dirty	Insert magazine properly or change magazine
Slide does not close easily or completely	Pistol or cartridge is fouled (dirty) or pistol is too heavily lubricated	Clean and lubricate pistol and/or replace the ammunition
	Incorrect ammunition	Replace ammunition
	Pistol requires service	Return to SIG SAUER
Extraction/Ejection		
After firing, the case stays in the chamber or is jammed in the ejection port	Insufficient recoil due to dirt	Clean and lubricate the pistol
	Light hold or limp wrist	Solid grip, rigid hold
	Low-powered ammunition	Change ammunition
	Pistol requires service	Return to SIG SAUER
Ignition		
Hammer drops but round does not fire	Firing pin obstructed	Inspect, clean and lubricate the pistol
	Faulty ammunition	Manually cycle in next round
	Pistol requires service	Return to SIG SAUER

 **WARNING – JAMS**

If your pistol stops firing with a live round in the chamber of a hot barrel (a misfire or jam), remove the round immediately. If you cannot remove the round within 10 seconds, remove the magazine and wait at least 15 minutes with the pistol pointing in a safe direction. This way, neither the user nor any other person would be injured by the possibility of a round “cooking-off” (a round detonating due to the heat of the barrel). Keep your face away from the ejection port while clearing a hot chamber.

7.2 Minimizing Malfunctions (“Jams”)

Malfunctions can largely be avoided by cleaning the pistol (see section 8.3 “Cleaning the Pistol”).

- After each firing session
- Whenever a buildup of firing residue is suspected
- Whenever the pistol is exposed to extreme environmental conditions (rain, snow, freezing temperatures, etc.)

8.0 Maintenance

WARNING – MAINTENANCE



Verify the magazine is removed – visually and physically confirm the pistol is unloaded before attempting disassembly or performing any maintenance steps. Failure to ensure the firearm is unloaded could result in unintentional discharge, causing injury or death.

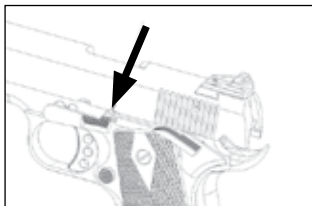
VERIFY THE FIREARM IS UNLOADED

- Before disassembling, remove the magazine.
 - Check before cleaning if the pistol is decocked and unloaded.
 - Do not put your finger into the slide.
1. Unload and decock the pistol (see 4.7 & 4.8).
 2. Make sure that the muzzle shows upwards and the backside of the receiver rests on the table.

Attention! Recoil spring and recoil spring plug are under pressure. The slide spring is cocked. When removing the barrel bushing uncontrolled, the recoil spring and the recoil spring plug could spring from the pistol.

8.1 Pistol Disassembly

1. Pull the slide backwards until the slide stop and the disassembling mark are on the same level.
2. Pull out the slide stop and the barrel fixing pin as follows.
3. Press the slide stop on the right side and remove the slide stop from the left side.
4. Push barrel fixing pin from right to left to remove (see fig. 2 page 38).
5. Unscrew the screw with an allen key (fig. 3 page 38).
6. Hereby the complete slide can be removed by sliding forward (fig. 4 page 38).



Disassembling mark



WARNING

Slide is under spring tension. Maintain positive control during slide removal to prevent damage or injury. Wear eye protection.



Fig. 1: Slide stop removed



Fig. 2: Barrel fixing pin removed



Fig. 3: Before ending the Procedure, the screw on the right side of the pistol with the allen Key.



Fig. 4: Slide completely removed

 **WARNING**

The recoil spring and guide are under spring tension and not firmly attached to the slide. Use caution to prevent injury or damage to the pistol. Wear eye protection.

1. Pull back the slide about 3/4"
2. Depress the recoil spring plug (Pos. 1) and give the barrel bushing a quarter counterclockwise rotation (Pos. 2)
3. When barrel bushing is turned, the recoil spring and the recoil spring plug are released.
4. Make sure to hold the recoil spring and release it slowly, controlled by your hand.
5. Remove recoil spring plug from recoil spring.
6. Lift the recoil spring guide and pull backwards out of the slide the barrel bushing and the recoil spring.
7. Give a half counterclockwise rotation to the barrel bushing and remove it from the slide.

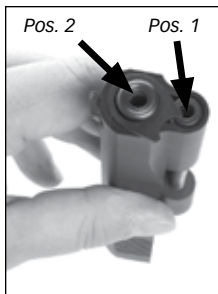
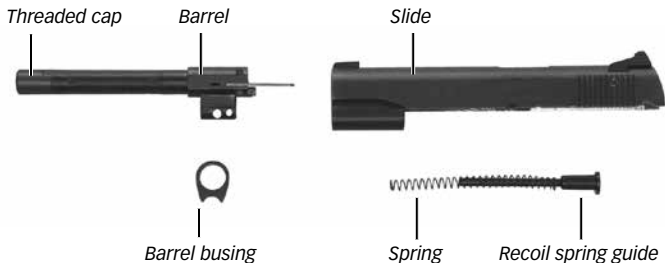


Fig. 1: Barrel bushing

Recoil spring plug



Fig. 2: Removal of recoil spring plug and recoil spring



Take off the barrel bushing from the barrel
Push the barrel forward out of the slide

This disassembling is sufficient for an efficient cleaning of the pistol after firing.

In case of improper handling of the pistol, the warranty will expire.

A further disassembling of the pistol may only be made by a qualified person.

8.2 Cleaning the Pistol

 **WARNING**

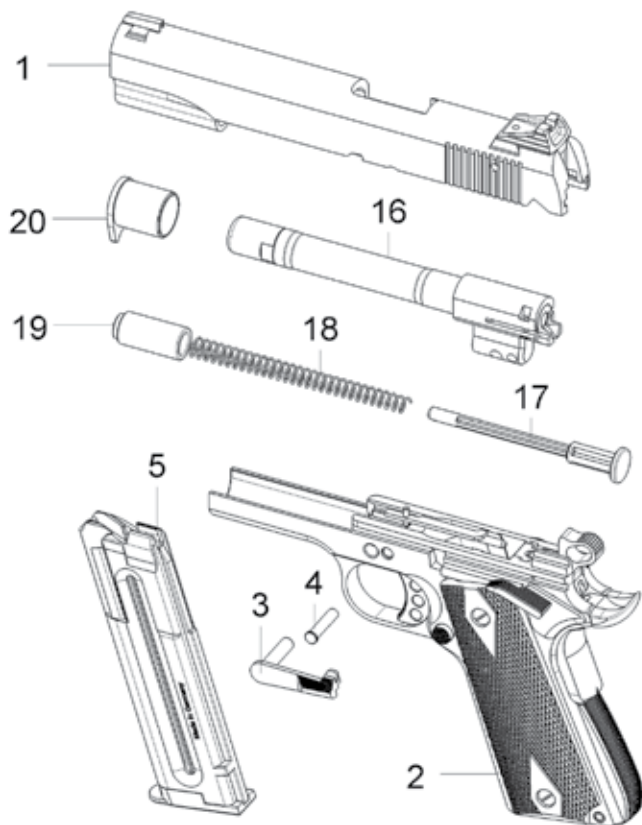
Never clean the barrel from the muzzle end; do not use a steel wire brush as it can damage the smooth surface of the barrel. Use a suitable cleaning rod and a brush of the correct caliber.

Solvents can be harmful to the surface finish of the pistol. Read and follow the manufacturer's warnings before using solvents or cleaners. Wear eye protection.

AVOID OVER-LUBRICATION OF COMPONENTS.

1. Lubricate the cleaning brush with gun oil and insert it into the barrel (16) via the chamber. Use the brush to remove all powders, residues and dirt in the barrel and chamber carefully.
2. Wipe powder, powder residues and oil from the barrel bore and chamber with cleaning patches.
3. Clean the outside surface with the cleaning cloth and gun oil.
4. Remove dirt from metal rail in the receiver (2), inside and outside the slide (1), slide stop (3), barrel bushing (20), recoil spring plug (19), recoil spring guide (17) and recoil spring (18) with a brush. After that, wipe down with a cloth dampened with gun oil or gun grease.
5. Lubricate the chamber and the barrelhole with gunoil and remove surplus gun grease.

Visit www.sigsauer.com for preventative maintenance guides and videos on maintaining your SIG SAUER pistol..



8.3 Pistol Assembly

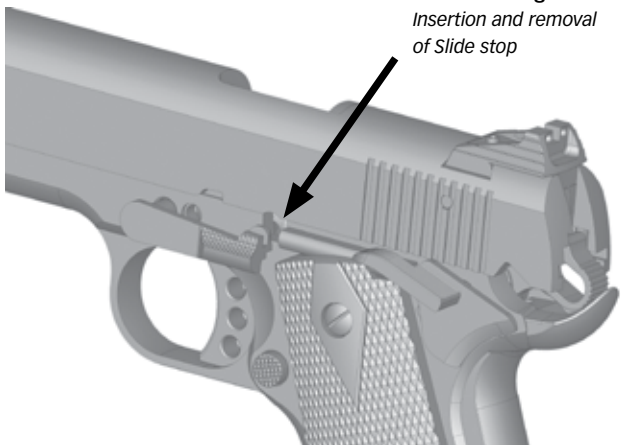
1. Check the inside of the pistol and remove all foreign objects.
2. Turnover the slide and insert the barrel.
3. Place the recoil spring on the recoil spring guide. Place the recoil spring guide assembly into the slide.
(Special Note: Some models may use a recoil spring with one end smaller than the opposite end. Place the small end of the spring on the spring guide rod first.)
4. Put the recoil spring plug from the front onto the recoil spring and press it into the slide.
5. Slide the barrel bushing on the barrel and turn clockwise.
6. Put the barrel bushing from the front on the recoil spring guide and ensure by twisting the barrel bushing.
7. Push the slide on the gun. The holes for the fixing pin and the stop must match.
8. First insert the barrel fixing pin.
9. Insert the slide stop, but do not puncture fully re-fix the screw on the right side of the pistol.
10. Cock the hammer and return the slide up to the marking on the lower edge of the slide. Press the slide stop up to the stop.



WARNING

The recoil springs are compressed. Guard the recoil springs and guide with your thumb to control the release of spring tension. Uncontrolled release can cause injury. Wear eye protection.

Disassembling notch
*Insertion and removal
of Slide stop*



8.4 Function Verification

The function check is performed on the assembled pistol to verify functionality. It should be performed after the completion of repairs and after each cleaning and assembly of the pistol.

- Verify the operation of parts with the assembled pistol, with no ammunition.



WARNING

**TO PREVENT DAMAGE A SNAP CAP MUST BE USED.
NEVER FIRE THE PISTOL ON AN EMPTY CHAMBER.**

- Verify after finishing repair work.
- Verify after every cleaning and assembling of the pistol.

Procedure (magazine empty, in gun)

1. **Check the recoil spring and the cycle of the slide.**
 2. Pull back the slide until it stops and release.
 3. Check if the slide springs forward and closes tight against the breach.
 4. **Check disconnect.**
 5. Pull the slide backwards until it stops with cocked hammer. Pull trigger and hold. Then release the slide.
 6. Verify the hammer remains in cocked position with trigger held rearward.
 7. **Simple check of trigger function.**
 8. Release the trigger, hammer remains cocked.
-



WARNING

**A SNAP CAP MUST BE USED TO CHECK FUNCTION.
TO PREVENT DAMAGE TO THE PISTOL NEVER FIRE
THE PISTOL ON AN EMPTY CHAMBER.**

9. Pull trigger, hammer should fall.
10. **Check the slide stop**
11. With empty magazine inserted, pull backwards the slide until it stops, then release.
12. Verify the slide is held in backward position.
13. Remove the magazine.
14. Depress the slide stop.
15. Verify slide stop is released and the slide closes. Decock the hammer.

! WARNING – MAINTENANCE



Verify the magazine is removed – visually and physically confirm the pistol is unloaded before attempting disassembly or performing any maintenance steps. Failure to ensure the firearm is unloaded could result in unintentional discharge, causing injury or death.

VERIFY THE FIREARM IS UNLOADED

! WARNING – INSPECTION



Never use a firearm or magazine that shows signs of damage or fails a function check. Verify the magazine is the correct model and caliber for the pistol. If the condition or function of the pistol or magazine is suspect, return the pistol or magazine to SIG SAUER for evaluation.

VERIFY THE CONDITION AND FUNCTION

8.5 Manual Safety, Grip Safety, Magazine Safety

1. Cock the hammer and engage manual safety. Pull the trigger with the grip safety depressed.
2. The hammer should stay cocked.
3. Disengage the manual safety. Pull the trigger with the grip safety depressed.
4. The hammer should release.
5. Cock the hammer. Pull the trigger without depressing the grip safety. The hammer should remain cocked.
6. Without depressing the grip safety, remove the magazine.
7. Depress grip safety and pull the trigger. The hammer should remain cocked.

Check the hammer safety notch

1. Pull the hammer backwards slowly, without touching the trigger.
2. You should hear a “click” when the sear catches into the safety notch.
3. Pull the trigger.
4. The hammer should not release.

8.6 The Magazine and the outside condition of the pistol

1. Check if there is any dirt or damage on the magazine body (follower and bottom).
2. Check the mobility and springing of the follower.
3. Check the easy insert of the magazine into the receiver.
4. Check the correct catch and unlatch of the magazine.
5. Outside condition of the pistol
6. Check if there is any dirt or damage with the grips and the disassembling-lever.
7. Check if front sight, rear sight and grips are fastened tight.

 **WARNING – ALTERATIONS**

This product was designed to function properly in its original condition. Alterations can make it unsafe. Do not alter any part or add or substitute any parts or accessories not manufactured by SIG SAUER for this pistol.



DO NOT ALTER ANY GUN

9.0 Sights

9.1 General Information

The SIG SAUER pistol is equipped with drift adjustable fixed sights which have proven their worth under severe conditions. The sights consist of a rear sight and a front sight blade, designed and dimensioned to ensure rapid target acquisition even when visibility is poor.

 **WARNING – SIGHT ADJUSTMENT**



Sight corrections should only be performed by someone with the necessary knowledge – the pistol could become damaged. Sight corrections should **ONLY** be performed on an unloaded firearm. Manipulating the sights on a loaded firearm could result in unintentional discharge, causing injury or death. Visually and physically confirm the pistol is unloaded before making sight adjustments.

**DO NOT ADJUST THE SIGHTS
ON A LOADED FIREARM**

9.2 Sight Adjustment

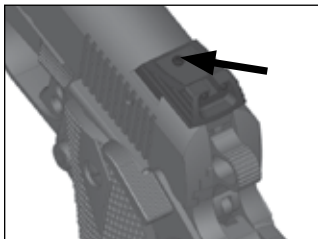
Rear Sight Adjustment

- Unscrew the rear sight adjustment screw counter clockwise to move the sight to the right and left for windage adjustment.
- To adjust the bullets impact to the left move the rear sight to the right.
- To adjust the bullets impact to the right move the rear sight to the left.

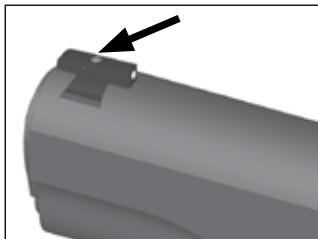
Front Sight Adjustment

Changing the Front Sight

- Unscrew the front sight set screw counter clockwise to replace the front sight.
- Drift the front sight off the slide.
- Replace the front sight. Increasing the sight height one size changes the point of impact approximately 7 ½" at a distance of 25m.



Adjustment screw



setscrew

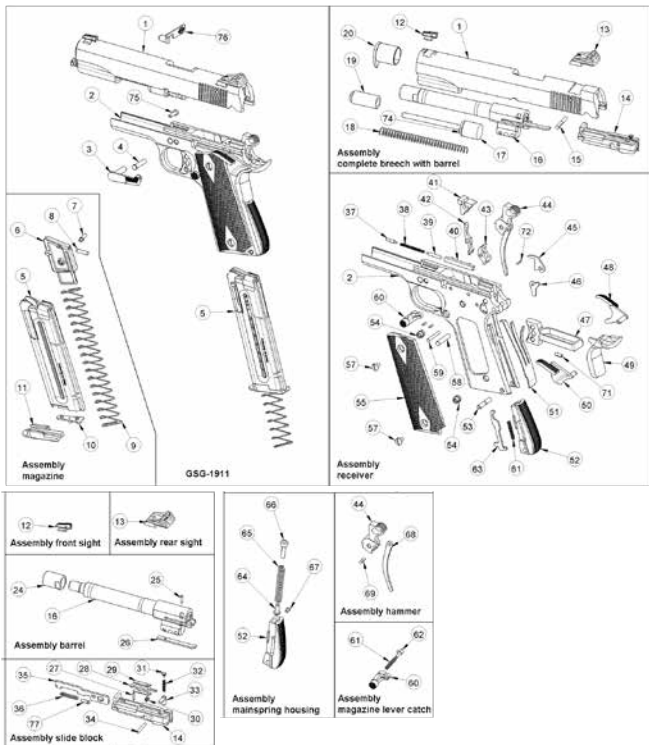
10.0 Specifications

Caliber	.22LR
Magazine Capacity	10
Trigger Pull	SAO: 5.0 lbs average
Overall Length	8.6"
Overall Height	5.5"
Overall Width	1.4"
Barrel Length	5.1"
Sight Radius	5.4"
Sights	Low Profile Three Dot Contrast
Weight w/ Magazine	34.4 oz
Frame Material	Diecast
Frame Finish	PTFE
Slide Material	Aluminum
Slide Finish	PTFE
Grips	Custom Wood

Weights and dimensions are approximate.
Specifications subject to change without notice.



10.1 Parts Diagram & Parts List



Item	Description		
1	Slide	40	Plunger Tube
2	Receiver	41	Insert For Receiver
3	Slide Stop	42	Disconnecter
4	Barrel Fixing Pin	43	Sear
5	Magazine	44	Hammer
6	Magazine Follower	45	Firing Pin Plunger Lever
7	Magazine Follower Pin	46	Trigger Bar Lever
8	Magazine Follower Tab	47	Trigger
9	Magazine Spring	48	Safety Lock Right
10	Magazine Spring Holder	49	Grip Safety
11	Magazine Base	50	Safety Lock Left
12	Front Sight	51	Sear Spring
13	Rear Sight	52	Mainspring Housing
14	Breech Bolt	53	Mainspring Housing Pin
15	Breech Bolt Pin	54	Grip Screw Bushing
16	Barrel	55	Left Grip
17	Recoil Spring Guide	56	Right Grip
18	Recoil Spring	57	Grip Screw
19	Recoil Spring Plug	58	Hammer Pin
20	Barrel Bushing	59	Sear Pin
24	Muzzle Cap	60	Magazine Catch
25	Ejector Pin	61	Magazine Catch Spring
26	Ejector	62	Magazine Catch Lock
27	Extractor Pin	63	Magazine Safety
28	Extractor	64	Mainspring Retainer Pin
29	Extractor Spacer	65	Main Spring
30	Extractor Spring	66	Mainspring Cap
31	Firing Pin Safety Plunger	67	Mainspring Cap Pin
32	Firing Pin Safety Spring	68	Hammer Strut
33	Firing Pin Safety	69	Hammer Strut Pin
34	Firing Pin Retainer	70	Screw
35	Firing Pin	71	Trigger Screw
36	Firing Pin Spring	72	Staking Pin
37	Slide Stop Plunger	73	Guild Rod Bushing
38	Plunger Spring	74	Guide Rod Disk
39	Safety Lock Plunger	75	Slide Retention Screw
		76	Chamber Indicator

10.2 Transportation and Storage

When transporting your firearm to and from shooting activities, keep it unloaded for your safety and for the safety of others. When storing your firearm, keep it separated from ammunition, under lock and key if possible, and out of the reach of children and other inexperienced or unauthorized persons.

WARNING – STORAGE

Never place or store any firearm in such a manner that it may be dislodged. Firearms should always be stored securely and unloaded, away from children and other unauthorized users. Use the locking device originally supplied with this firearm for storage. The use of a locking device or safety lock is only one aspect of responsible firearms storage. For increased safety, firearms should be stored unloaded and locked in a location that is both separate from their ammunition and inaccessible to children and any other unauthorized person.



STORE SECURELY AND UNLOADED

11.0 Service and Parts Policy

11.1 Parts Policy

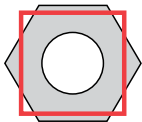
Our Service Department maintains a full complement of replacement parts. Even though most gunsmiths have the knowledge, training, and the ability to make necessary repairs to your firearm, the skill and workmanship of any particular gunsmith is totally beyond our control.

Should your firearm ever require service, we strongly recommend that you return it to SIG SAUER (see section 11.3 "Shipping Firearms for Repair"). A firearm is a precision instrument and some replacement parts will require individual fitting to ensure correct operation. A wrong part, improper fitting, or incorrect mechanical adjustment may result in an unsafe condition or dangerous malfunction, damage to the firearm, or cause possible serious injury to the shooter or others.

IF ANY PART IS ORDERED WITHOUT RETURNING THE FIREARM TO SIG SAUER, the customer bears full responsibility for ensuring that the part supplied is correct for their particular firearm and is properly installed and fitted by a qualified gunsmith.

SIG SAUER CANNOT BE RESPONSIBLE FOR THE FUNCTIONING OF ANY FIREARM IN WHICH REPLACEMENT PARTS ARE INSTALLED BY OTHERS.

 **WARNING – PARTS PURCHASERS**



It is the purchaser's responsibility to be absolutely certain that any parts ordered from the factory are correctly fitted and installed. Firearms are complicated mechanisms and **IMPROPER FITTING OF PARTS MAY RESULT IN A DANGEROUS MALFUNCTION, DAMAGE TO THE FIREARM, AND SERIOUS INJURY TO THE SHOOTER AND OTHER PERSONS.** The purchaser and installer of parts must accept full responsibility for the correct adjustment and functioning of the firearm after such installation. **PARTS MUST FIT CORRECTLY**

11.2 Service Policy

If you have questions concerning the performance or servicing of your firearm, please write or call:

SIG SAUER, Inc.
Attention: Customer Service
72 Pease Boulevard, Newington, NH 03801
Phone: (603) 610-3000 ext. 3
Fax: (603) 766-7002

IF YOU DO NOT UNDERSTAND THE INSTRUCTIONS FOR OPERATING YOUR PISTOL, IT IS YOUR RESPONSIBILITY TO CALL OUR CUSTOMER SERVICE DEPARTMENT AT (603) 610-3000 EXT. 3 BEFORE USING YOUR FIREARM.

11.3 Shipping Firearms for Repair

In the event you need to return your firearm to the SIG SAUER Service Department, here's what to do:

1. First contact Customer Service at (603) 610-3000 ext. 3 for an RMA number, which will allow SIG SAUER to track the status of your return from its receipt at SIG SAUER through its return to you. Please do not send your firearm until you obtain an RMA number.
2. Make sure that the chamber and magazine(s) are unloaded and that no ammunition is included with your returned firearm.
3. Package the firearm securely to prevent damage. Enclose a letter that includes your name, street address, daytime phone number, model and serial number, and a detailed description of the problem you have experienced or the work you want performed. With the exception of extra magazines, do not include any other accessories such as scopes or mounts.
4. Generally, an individual may ship firearms to the manufacturer for repair or service. Some states and localities, however, prohibit this. If you live in such an area, the firearms must be shipped by and returned to a federally licensed firearms dealer.
5. Federal law prohibits persons who do not possess a Federal Firearms License from shipping a firearm via the U.S. Postal Service. (Note: any shipment of firearms outside U.S. borders is subject to the export laws of the United States and to the valid laws of the specific country, which you must strictly follow; prior to exporting any firearm you should seek legal counsel.)

6. SIG SAUER is not responsible for any firearm until it is received, nor for damage incurred during shipment.

7. Ship your firearms insured and prepaid (we do not accept collect shipments) to:

SIG SAUER, Inc.
Attention: Service Department
18 Industrial Drive Exeter, NH 03833

Don't forget to write your RMA number on the package.

A copy of this instruction manual should always accompany this pistol and be transferred with it upon change of ownership.

11.4 Ordering Parts

In the event you want to order parts for your firearm, contact Customer Service at (603) 610-3000 ext. 3.

Have available the serial number of your firearm and the part diagram number for the part(s) you wish to order. A parts list and diagram of the pistol is provided in section 13.0.

Please refer to the Service and Parts Policy.

WARNING – SHIPPING



Before shipping any firearm, be absolutely certain that the firearm and its magazines are unloaded.

DO NOT ship ammunition with a firearm. Failure to follow this warning could result in unintentional discharge, causing injury or death.

VERIFY THE FIREARM IS UNLOADED

THE BASIC RULES OF SAFE FIREARMS HANDLING

1. ALWAYS treat every gun as if it were loaded.
2. ALWAYS be sure the barrel is clear of any obstruction.
3. ALWAYS be sure of your backstop, what lies beyond, and the safety of bystanders before you shoot.
4. ALWAYS use clean, dry, original factory-made ammunition of the proper type and caliber for your gun.
5. ALWAYS wear ear protection and safety glasses when shooting.
6. ALWAYS carry your gun so that you can control the direction of the muzzle if you fall or stumble.
7. NEVER shoot at a flat surface or water.
8. DO NOT leave an unattended gun loaded. Guns and ammunition should be stored separately, locked if possible, beyond the reach of children, careless adults, and unauthorized users.
9. NEVER allow your firearm to be used by anyone who has not read and understood this operator's manual.
10. DO NOT point any gun, loaded or unloaded, at any undesired target.
11. NEVER fire your rifle near an animal unless it is trained to accept the noise: an animal's startled reaction could injure it or cause an accident.
12. NEVER drink alcoholic beverages or take drugs before or during shooting, as your vision and judgment could be seriously impaired, making your gun handling unsafe.

SIG SAUER® Limited Lifetime Firearms Warranty

SIG SAUER® warrants that the enclosed firearm was originally manufactured free of defects in material, workmanship and mechanical function. For the lifetime of the original purchaser, SIG SAUER agrees to correct any defect in the firearm for the original purchaser by repair, adjustment or replacement, at SIG SAUER's option, with the same or comparable quality components (or by replacing the firearms at SIG SAUER's option); provided, however, that the firearm is returned unloaded and freight prepaid to:

**SIG SAUER
18 Industrial Drive
Exeter, NH 03833**

This limited warranty is null and void if the firearm has been misused, damaged (by accident or otherwise), fired with handloaded, reloaded or improper ammunition, fired with an obstruction in the barrel, damaged through failure to provide reasonable and necessary maintenance as described in the manual accompanying the firearm, or if unauthorized repair or any alteration, including of a cosmetic nature, has been performed on the firearm. This limited warranty does not apply to normal wear and tear of any parts. Subject to the foregoing, this limited warranty confers the right to have the covered firearm or its parts repaired, adjusted or replaced exclusively upon the original purchaser, which right is not transferable to any other person. No implied warranties of any kind are made herein and this warranty does not apply to any accessory items attached or appurtenant to the firearm. In no event shall SIG SAUER be liable for any incidental or consequential damages arising from or in connection with this limited warranty.

SIGSAUER[®]
when it counts[®]

www.sigsauer.com

**FOR PRODUCT SERVICE ON THIS MODEL,
PLEASE CALL (603) 610-3000 EXT. 3**

72 Pease Boulevard, Newington, NH 03801 USA