

# **WIRING DIAGRAM**

**Section 3 (39)  
V70/XC70 & XC90  
Supplement  
2003**

TP 3967202

This manual contains edited and supplementary information which applies to V70, XC70 & XC90 (model year 2003).  
Service Manual Wiring Diagram V70/XC70 & XC90 2003 can be used for the remainder of the electrical system.

Abbreviations .....	3	Daytime running lights and auxiliary light wiring XC90.....	33
How to use the wiring diagram .....	4	Brake lights .....	34
<b>Electrical distribution</b>		Parking lights XC90.....	35
Overview V70 .....	6	Tail lights and license plate lighting XC90 .....	35
Overview XC90 .....	8	Beam length adjustment XC90.....	36
<b>Relays/Shunts</b>		<b>Group 36</b>	
Cargo compartment RMA1 - RSH6 .....	10	Horn .....	37
<b>Ground connections</b>		Wipers/washers, windshield.....	38
31/6 - 31/53 .....	11	Rain sensor .....	39
31/72 - 31/84.....	12	Electronic immobilizer .....	40
31/93 .....	13	<b>Group 37</b>	
31/94 - 31/99.....	14	Diagnostics system.....	41
31/104 - 31/105.....	15	<b>Group 38</b>	
<b>Control modules</b>		Seat belt reminder.....	42
Central Electronic Module (CEM) V70/XC70.....	16	Driver information module.....	43
Central Electronic Module (CEM) XC90.....	18	Driver information module Bifuel.....	44
Rear Electronic Module (REM) V70/XC70.....	20	<b>Group 39</b>	
Rear Electronic Module (REM) XC90.....	22	Audio XC90.....	45
Data communication V70/XC70 .....	24	Infotainment XC90 .....	46
Data communication XC90.....	26	Mobile telephone V70/XC70.....	47
<b>Group 23</b>		<b>Group 59</b>	
Engine management system B5244S6, B5244S USA.....	28	Brake Control Module (BCM).....	48
<b>Group 32</b>		<b>Group 83</b>	
Power supply.....	30	Central locking system V70/XC70.....	49
<b>Group 33</b>		Central locking system XC90.....	50
Starting system.....	31	<b>Group 87</b>	
<b>Group 35</b>		Manual Climate Control (MCC) .....	51
Fog lights .....	32	Electronic Climate Control (ECC) .....	52
High and low beam XC90 .....	33	Parking heater, auxiliary heater.....	53

**Order number TP 3967202**

**Group 88**

SRS Supplemental Restraint System V70/XC70 ..... 54  
SRS Supplemental Restraint System XC90 ..... 55

**Connectors**

54/43 ..... 56  
54/66.1 -54/109 ..... 57

**Junction points ..... 58**

**Component illustrations..... 60**

**Contents ..... 61**

**List of components**

## Groups

Group 23	= Fuel system
Group 26	= Cooling system
Group 27	= Engine controls
Group 32	= Generator and voltage regulator
Group 33	= Starting system
Group 35	= Lighting
Group 36	= Additional electrical equipment
Group 37	= Wiring and fuses
Group 38	= Instruments
Group 39	= Other
Group 43	= Transmission
Group 59	= Brake system
Group 64	= Steering
Group 83	= Doors and openings
Group 84	= Exterior decorative elements etc.
Group 85	= Interior equipment
Group 87	= Climate controls
Group 88	= Internal equipment

## Ignition switch symbols

X	= Accessories (audio position)
S	= Powered upon insertion of key
15	= The switch remains connected during start
15I	= Contact is broken while starting
30	= Constant power from the battery
50	= Start

## Countries/Markets

A	= Austria
AUS	= Australia
B	= Belgium
CDN	= Canada
CH	= Switzerland
D	= Germany
DK	= Denmark
E	= Spain
EU/OS	= Markets outside USA and Canada
FIN	= Finland
GB	= Great Britain
ISR	= Israel
J	= Japan
KOR	= Korea
N	= Norway
NL	= Netherlands

S	= Sweden
USA	= United States of America
WEU	= Western Europe

## Other

ACC	= Accessory
AMP	= Amplifier
AUDIO	= Audio system
AUTO	= Automatic transmission
Bi-X	= Bi-Xenon
CEM	= Central Electronic Module
DRL	= Daytime Running Lights
DSTC	= Dynamic Stability Traction Control
EXC	= Exclusive
EXT.D	= Extended electrical distribution
HISPEED	= High speed data bus
LH	= Left-hand side
LHD	= Left-hand drive
LOSPEED	= Low speed data bus
MAN	= Manual transmission
PCL	= Power Child Lock
REM	= Rear Electronic Module
RH	= Right-hand side
RHD	= Right-hand drive
RTI	= Road Traffic Information
SRS	= Airbag
TELE	= Mobile telephone
T	= Turbo engine
W/O	= Without
5CYL	= 5-cylinder engine
6CYL	= 6-cylinder engine

## Colors

BL	= Blue
BN	= Brown
GN	= Green
GR	= Gray
OR	= Orange
P	= Pink
R	= Red
SB	= Black
VO	= Violet
W	= White
Y	= Yellow

# How to use the wiring diagram

The descriptions below apply in general to all wiring diagram manuals, although not all sections are necessarily contained in this manual.

## A. Component designation

Every component has a component designation that consists of two parts.

The first part is a type number that describes the type of component in question, for example 3/xx.

The second part of the designation is a serial number, for example, x/2.

Combined these give a component designation, for example, 3/2.

At the end of the manual is a list of components, where, with the help of the component designation, you can read off the name of the component, for example, 3/2 = light switch.

## List of type numbers

The list shows which type of component that respective type numbers refer to, for example, 3/x = switch, 6/x = electric motor, etc.

1	Battery
2	Relay
3	Switch
4	Control module
5	Driver information module
6	Electric motor
7	Sensor
8	Actuator
9	Heating element
10	Light
11	Fuse
15	Electrical distribution rail/box
16	Audio
17	Service/diagnostics
18	Contact reel
19	Meter
20	Ignition component/shunt
27	Optics
31	Ground connection
53	Junction point
54	Connector

## B. Junction points

The wiring diagrams contain numbered junction points, e.g. 53/352.

This manual contains a section with a list of junction points. This list shows all the components which are connected to each junction point.

The location of the junction points is shown in the "Cable harness routing in vehicle" section.

## C. Connectors

Connectors provide a bridge between two cables harnesses and are described in the "Connectors" section.

## D. Electrical distribution

Operation of the fuses and relays is shown in the "Electrical distribution" section.

## E. Data communication

Today's cars are equipped with a CAN network, which transmits information. Connections to this network are shown in their entirety on the respective wiring diagrams. Complete information on CAN communication is can be found in the section titled "Data communication".

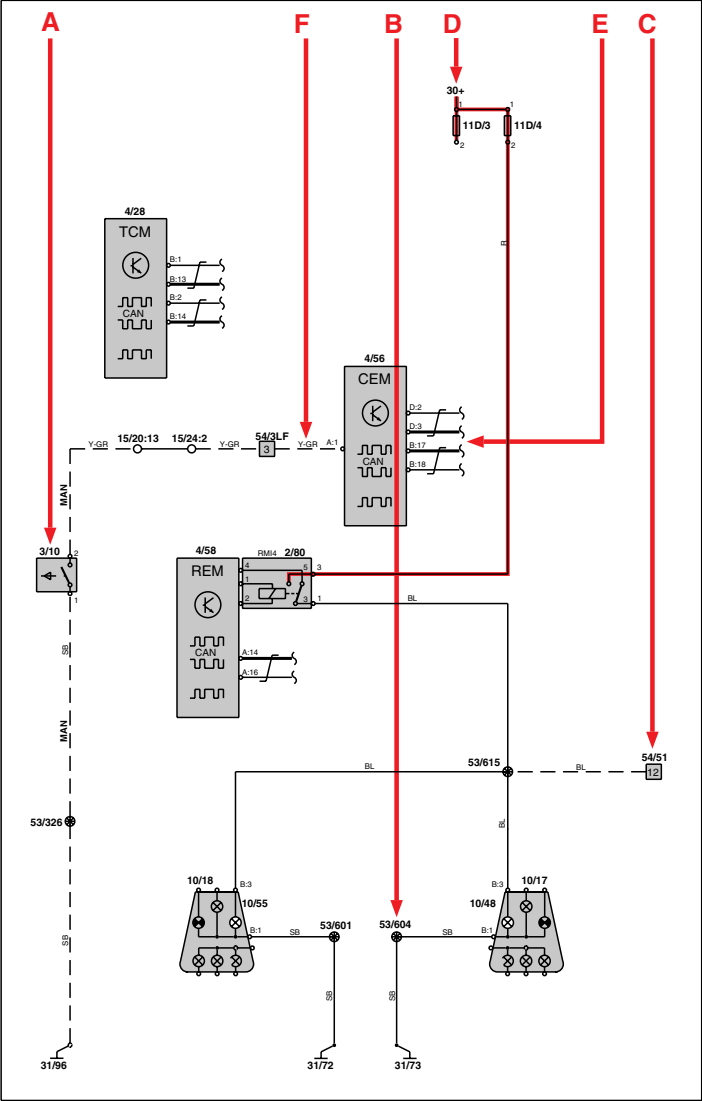
## F. Abbreviations

A number of different abbreviations are used in the manual. These are explained in the section "Abbreviations".


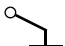

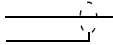

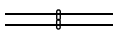
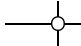
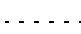
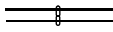



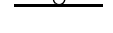


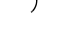


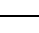

## G. Component location

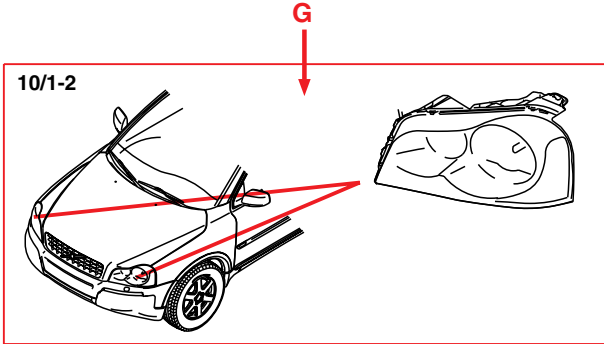
There is a section at the end of the manual in which the appearance and location of components is described in numerical order.

# How to use the wiring diagram

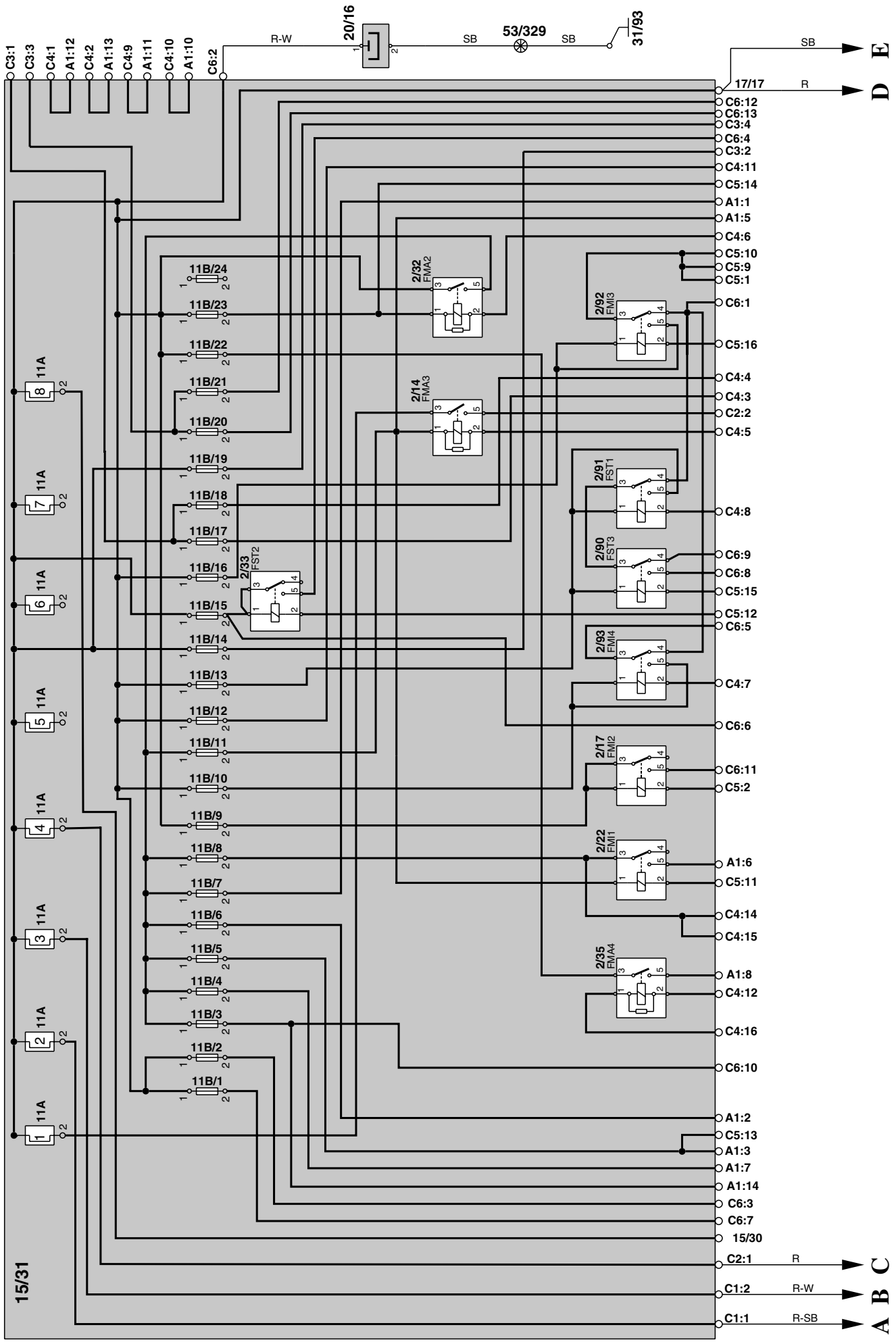


## List of symbols

-  = System voltage
-  = Ground connection via wiring
-  = Ground connection on component/chassis
-  = Screened wire
-  = Junction point
-  = Twisted cable
-  = Electrical connection
-  = Variant
-  = CAN communication
-  = CAN high data signal (CAN H)
-  = CAN low data signal (CAN L)
-  = MOST communication
-  = Serial communication
-  = DIN cable, coaxial cable, etc.
-  = Data communication
-  = CAN communication
-  = Connection with distribution box
-  = Further connection to...
-  = Connector between wiring harnesses
-  = Connector connected to component



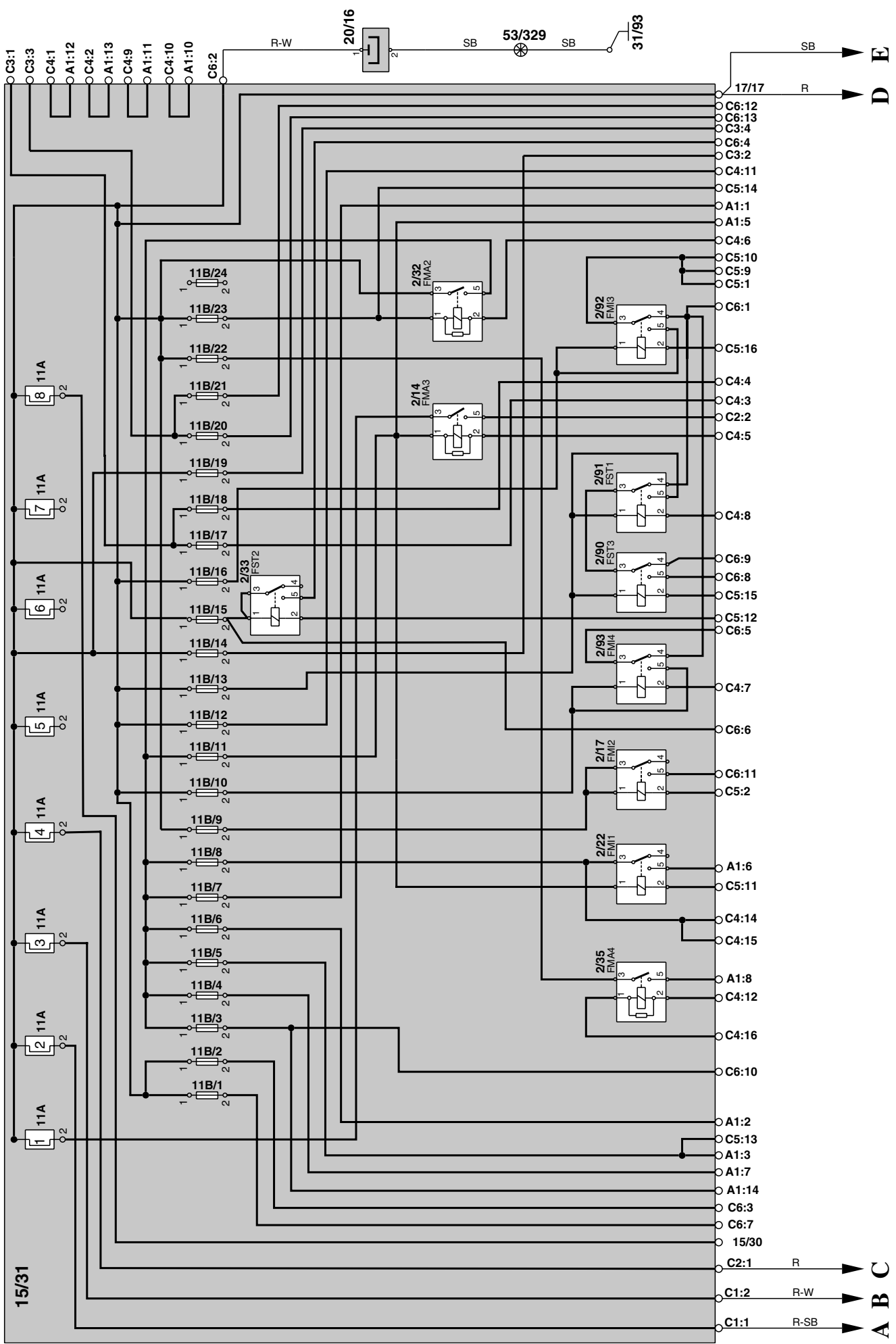
# Electrical distribution Overview V70



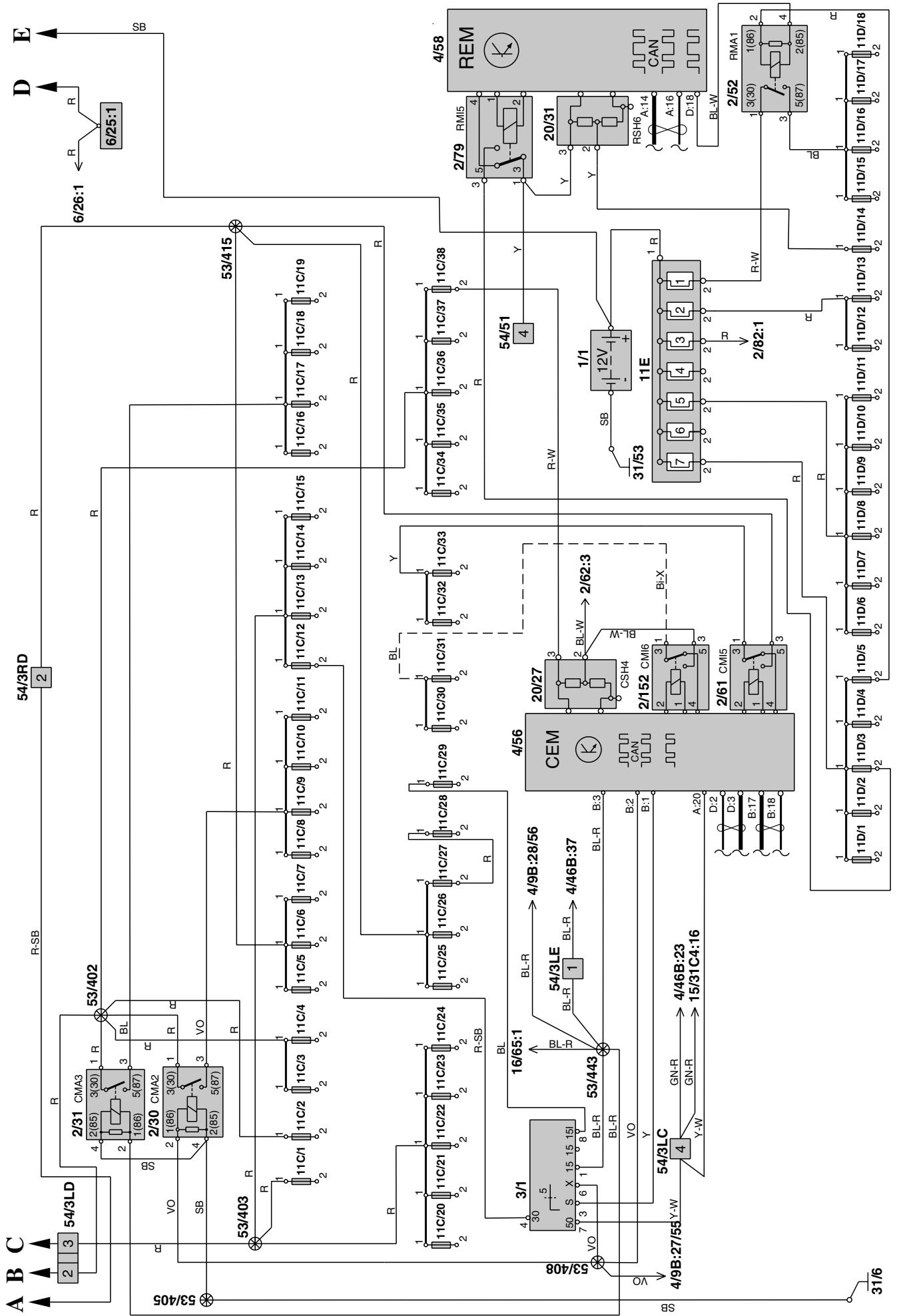




# Electrical distribution Overview XC90

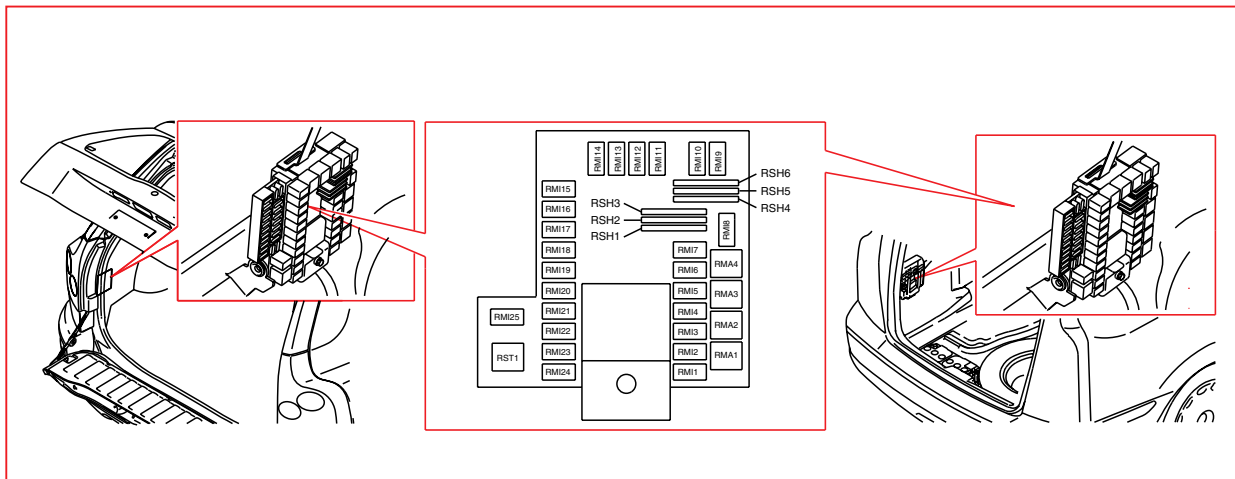


# Electrical distribution Overview XC90



## Relays/Shunts

### Cargo compartment RMA1 - RSH6



### Relays/shunts in the cargo compartment

Pos	Relay function
RMA1	2/52 Relay, 15l feed, rear
RMA2	2/157 Bass speaker system relay, XC90
RMA3	2/82 Relay, heated rear window
RMI2	2/112 Unlocking relay, left-hand rear
RMI3	2/115 Relay, deadlock, rear doors
RMI4	2/80 Reversing light relay
RMI5	2/79 Brake light relay
RMI6	2/49 Relay, rear fog light
RMI7	2/83 Trailer fog light relay
RMI8	2/142 Relay, preheated fuel filter
RMI13	2/72 Relay, rear window wiper
RMI16	2/16 Relay, intermittent rear window wiping on/off
RMI17	2/140 Relay CNG/LPG
RMI18	2/70 Relay, rear climate control system, XC90
RMI19	2/87 Unlocking relay, tailgate
RMI20	2/158 Locking relay, rear doors, filler flap
RMI21	2/59 Unlocking relay, fuel filler flap
RMI23	2/114 Unlocking relay, right-hand rear
RSH2	20/29 Shunt, fog light REM
RSH3	20/39 Shunt, cargo compartment 12V outlet
RSH4	20/28 Shunt, position/parking/tail lights (REM)
RSH5	20/33 Shunt, position/parking/tail lights (REM)
RSH6	20/31 Shunt, brake light REM

## Ground connections 31/6 - 31/53

<b>31/6</b>	
4/56E:1	Central Electronic Module (CEM), LHD
4/31A:4	Fan control module, RHD V70
53/405	Junction point
-10/29:2	- glove compartment lighting
-2/30:4	- X feed overload relay
-3/6:5	- hazard warning flasher switch
-2/143:1	- relay, fuel leakage control
-16/65:6	- antenna ring/ignition switch lighting
-10/125:4	- left front courtesy lighting
-54/13:22	- connector
-10/126:4	- right front courtesy lighting 1
-17/13:4	- data link connector, XC90
-17/13:5	- data link connector, XC90

<b>31/10</b>	
4/31A:4	Fan control module, LHD V70
4/56E:1	Central Electronic Module (CEM), RHD
53/406	Junction point
-9/1:2	- 12V outlet, front
-9/25A:3	- 12V outlet, rear

<b>31/46</b>	
8/66	Left-hand inflatable curtain igniter, shield V70

<b>31/47</b>	
53/605	Junction point
-54/78:14	- connector, SUB
-54/66.1:1	- connector, XC90
-16/79:10	- bass speaker, V70
-16/79:9	- bass speaker, V70
-2/157:2	- bass speaker system relay, XC90
54/78:14	Connector, without SUB
8/66	Left-hand inflatable curtain igniter, shield XC90

<b>31/53</b>	
1/1	Battery

## Ground connection

### 31/72 - 31/84

31/72	
53/601 -4/58E:1 -10/18A:6 -54/78:7 -54/78:6 -10/18B:4 -4/86A:4 -6/76A:2	Junction point - Rear Electronic Module (REM) - rear left lamp housing - connector - connector - rear left lamp housing, V70 - Parking Assistance Module (PAM), XC90 - climate control system, rear XC90
53/602 -7/100:5 -16/45D:5	Junction point, RTI - Inclination Sensor Module (ISM) - Road Traffic Information (RTI)
7/100:5	Inclination Sensor Module (ISM) without RTI

31/83	
16/65:7	Antenna ring/ignition switch lighting, XC90
53/400 -5/1:14 -16/65:7 -54/13:20	Junction point, V70 - Driver Information Module (DIM) - antenna ring/ignition switch lighting - connector
54/13:20	Connector, XC90

31/84	
53/438 -3/111:5 -3/130:16 -3/130:22 -3/112A:16 -4/68:16 -17/13:4 -17/13:5 -16/60:18	Junction point, V70 - Light Switch Module (LSM) - Steering Wheel Module (SWM) - Steering Wheel Module (SWM) - Climate Control Module (CCM) - Steering Angle Sensor module (SAS), DSTC - data link connector - data link connector - Phone Module (PHM)
53/448 -16/1A:12 -16/2A:2	Junction point, V70 - Audio Module (AUM) with amplifier - amplifier
16/1A:12	Audio Module (AUM) without amplifier

31/93	
53/329 -3/10:2 -4/99:3 -6/114:2 -7/4:2 -7/51:3 -7/73:2 -20/16:2 -54/3LA:5 -8/79:1	Junction point - reversing light contact - electronic power steering control module - vacuum pump - brake fluid level sensor - washer fluid level sensor - coolant level sensor - capacitor - connector - LPG valve, V70
53/301 -10/5:2 -6/38:1 -10/1A:1 -10/1B:3 -10/1A:4	Junction point - front left fog light - left-hand headlight level adjustment motor, V70 - front left lamp housing, V70 - front left lamp housing, V70 - front left lamp housing, XC90
53/331 -6/1:4 -8/37B:2 -8/37B:4 -15/31C6:1 -54/58:2 -54/58:4 -6/4:3 -10/15:1 -54/4:4 -3/62:2 -16/10:2 -54/9:3 -6/1:4 -6/1:2	Junction point - windshield wiper motor, V70 - automatic transmission - automatic transmission - engine compartment distribution box - connector - connector - left-hand headlight wiper motor, V70 - direction indicator, left front fender, EU/OS V70 - connector, V70 - hood alarm contact, XC90 - horn 1, XC90 - connector - windshield wiper motor, RHD XC90 - windshield wiper motor, LHD XC90

## Ground connection

### 31/94 - 31/99

31/94	
53/303 -10/6:2 -16/35:3 -6/39:1 -10/2A:1 -10/2B:3 -10/16:1 -10/2A:4	Junction point - front right fog light - Siren Control Module (SCM) - right-hand headlight adjustment motor, V70 - front right lamp housing, V70 - front right lamp housing, V70 - direction indicator, right front fender, EU/OS, V70 - front right lamp housing, XC90
4/28A:53	Transmission Control Module (TCM)

31/98	
10/115:3	Right-hand vanity mirror lighting
53/503 -3/117A:10 -4/33A:5 -4/70:20 -10/114:3 -10/150:4 -54/16:2 -54/13:20 -10/25:4 -7/122:5 -7/158:5 -53/577	Junction point - ceiling light switch unit - Sunroof Control Module (SRM) - Upper Electronic Module (UEM) - left-hand vanity mirror lighting - rear reading light, V70 - connector - connector - ceiling light, cargo compartment, V70 - Mass Movement Sensor (MMS), front - Mass Movement Sensor (MMS), rear XC90 - junction point, XC90

31/99	
7/135B:1	Glass breakage sensor, left-hand, V70

**Ground connection**  
**31/104 - 31/105**

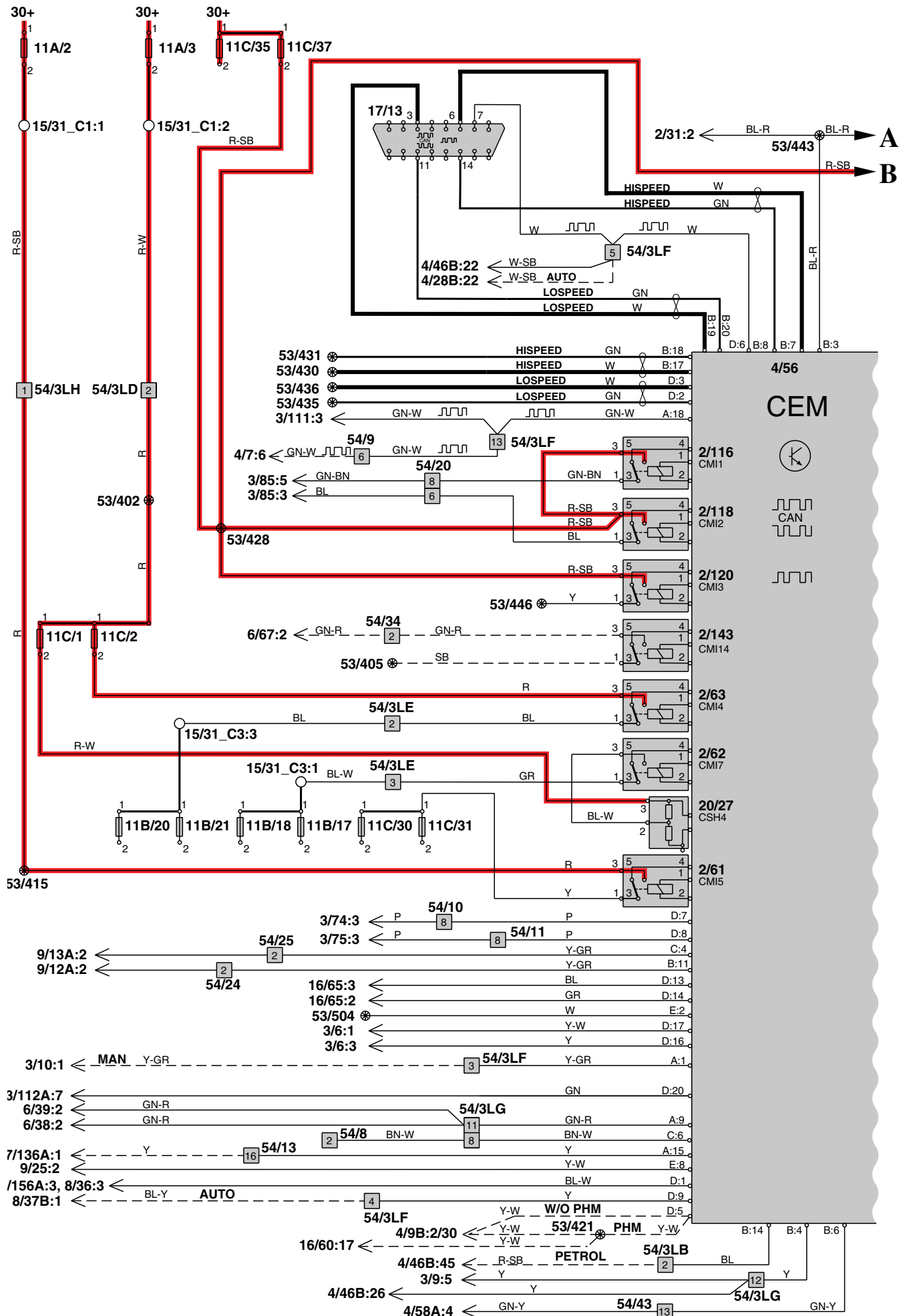
<b>31/104</b>	
53/438 -3/130:16 -3/130:22 -4/68:16 -3/112:16 -3/111:5 -16/60A:1 -16/1A:10 -16/106:4 -16/107:4 -54/112:4 -5/1:14	Junction point, XC90 - Steering Wheel Module (SWM) - Steering Wheel Module (SWM) - Steering Angle Sensor module (SAS), DSTC - Climate Control Module (CCM) - Light Switch Module (LSM) - Phone Module (PHM) - Infotainment Control Module (ICM), XC90 - CD player, MP2 - MD player, MP1 - connector, infotainment accessory wiring - Driver Information Module (DIM)
53/448 -53/423 -16/105A:2	Junction point, XC90 - junction point - Audio Module (AUD), MMM
16/105A:2	Audio Module (AUD), without MMM & MP, XC90

<b>31/105</b>	
4/31A:4	Fan control module, XC90

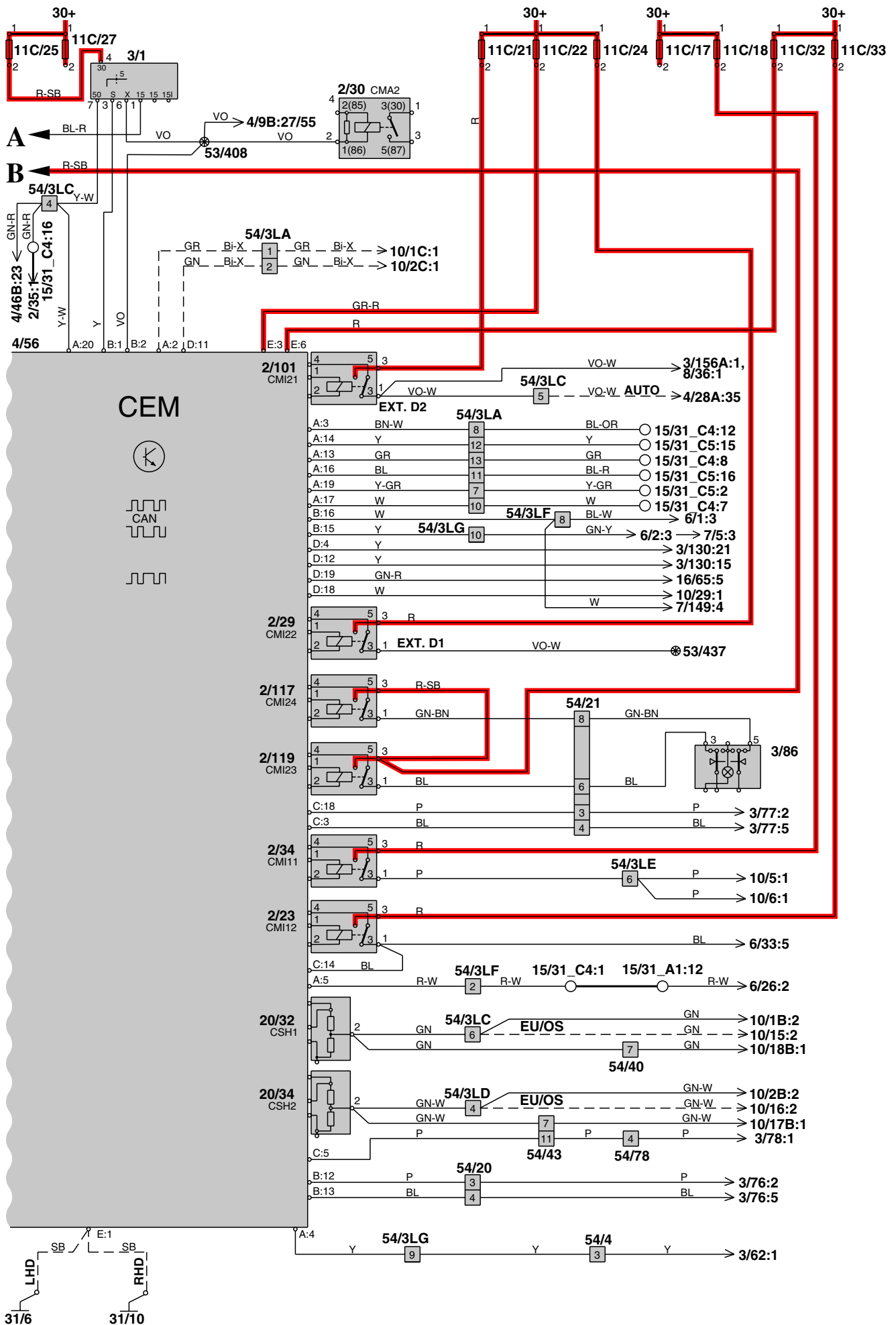


# Control modules

## Central Electronic Module (CEM) V70/XC70

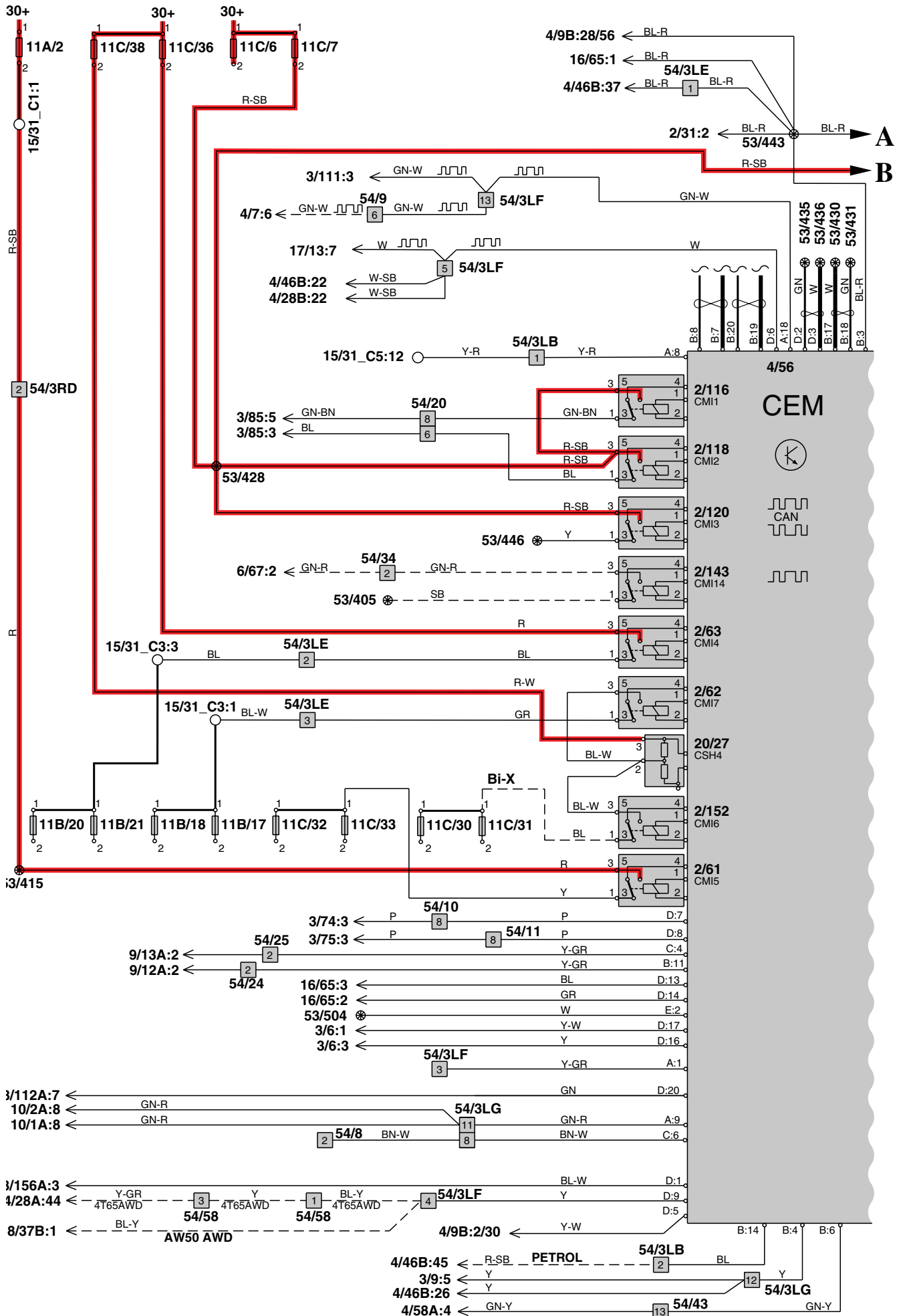


# Control modules Central Electronic Module (CEM) V70/XC70

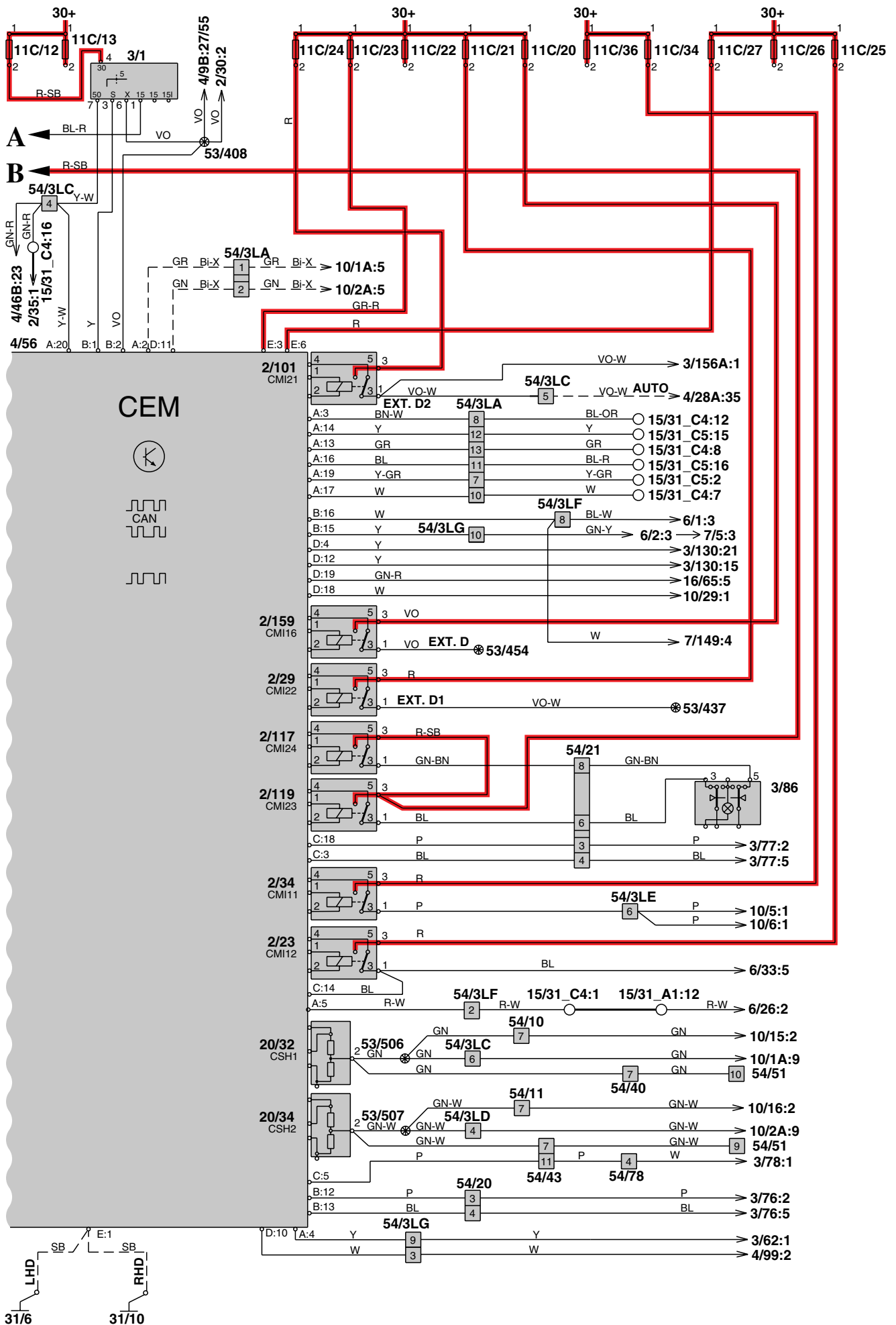


# Control modules

## Central Electronic Module (CEM) XC90

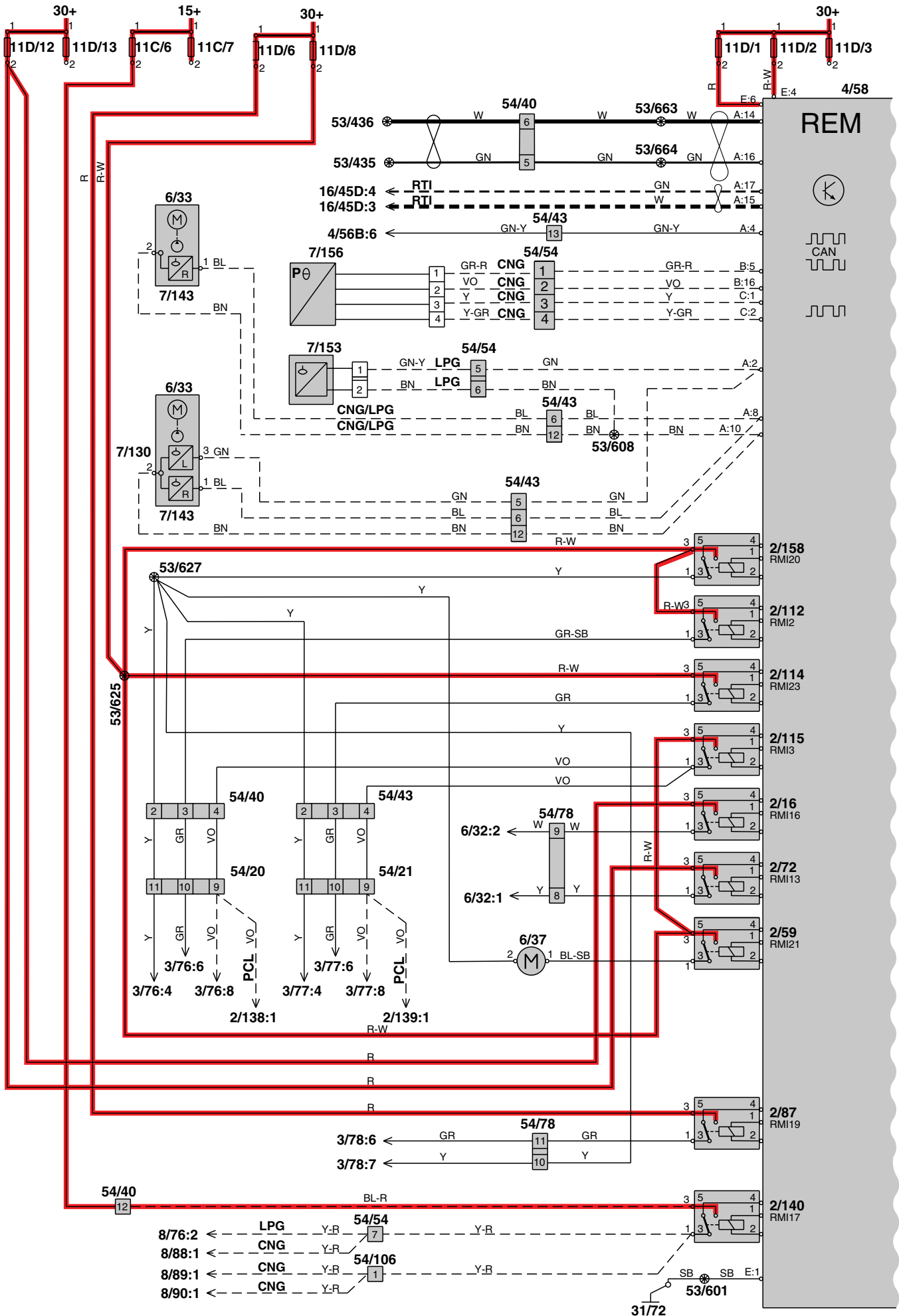


# Control modules Central Electronic Module (CEM) XC90

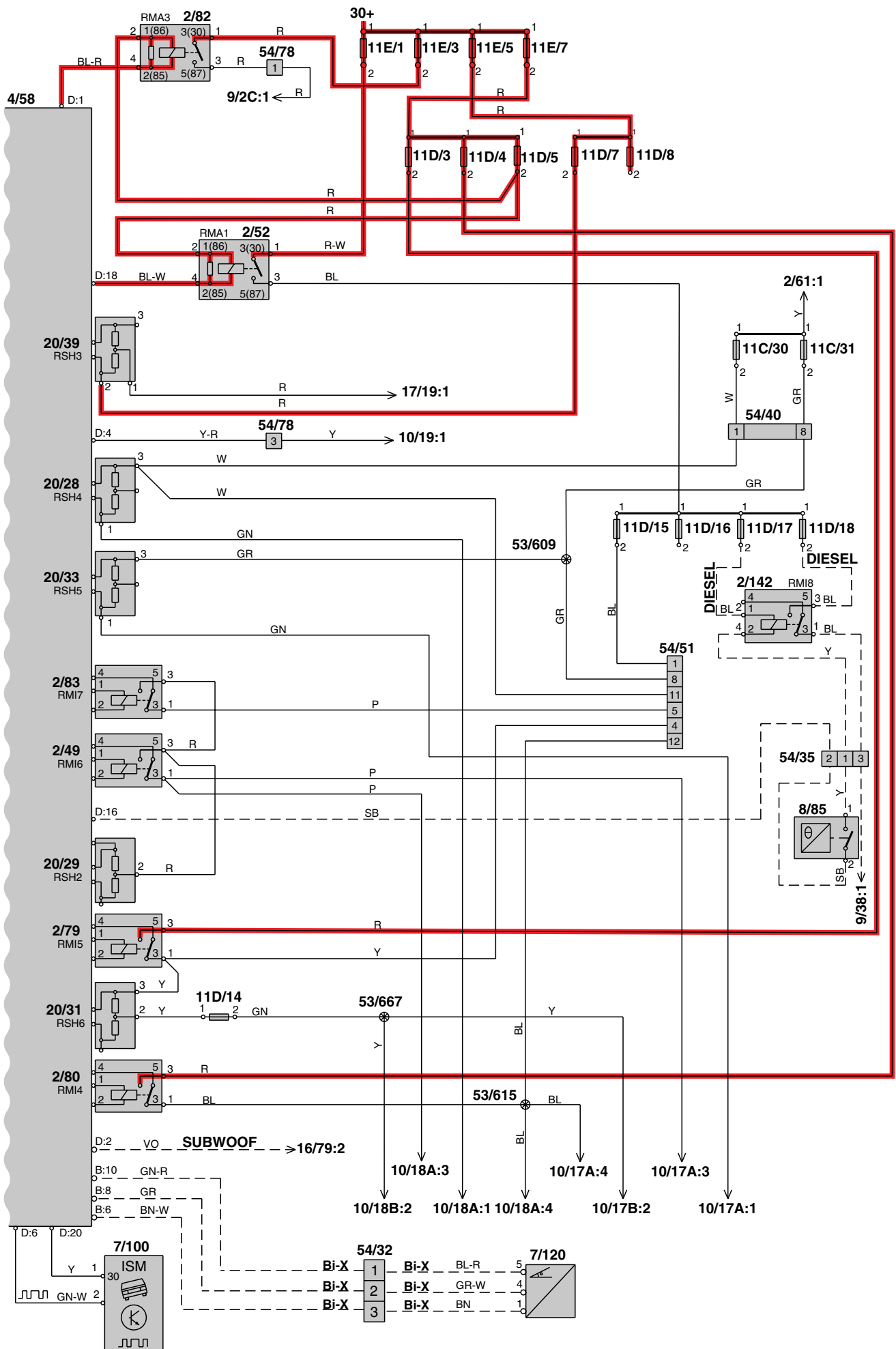


# Control modules

## Rear Electronic Module (REM) V70/XC70

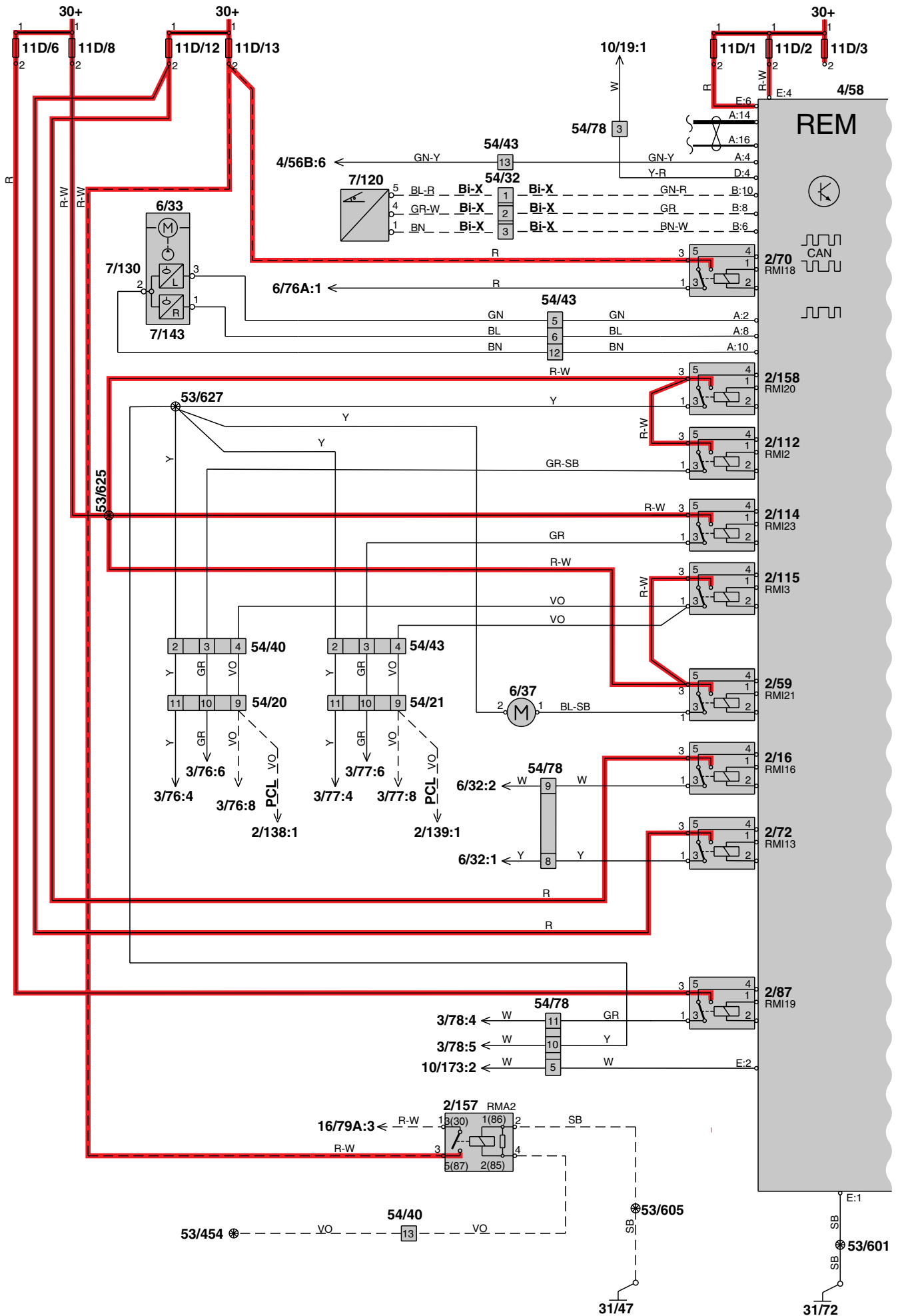


# Control modules Rear Electronic Module (REM) V70/XC70

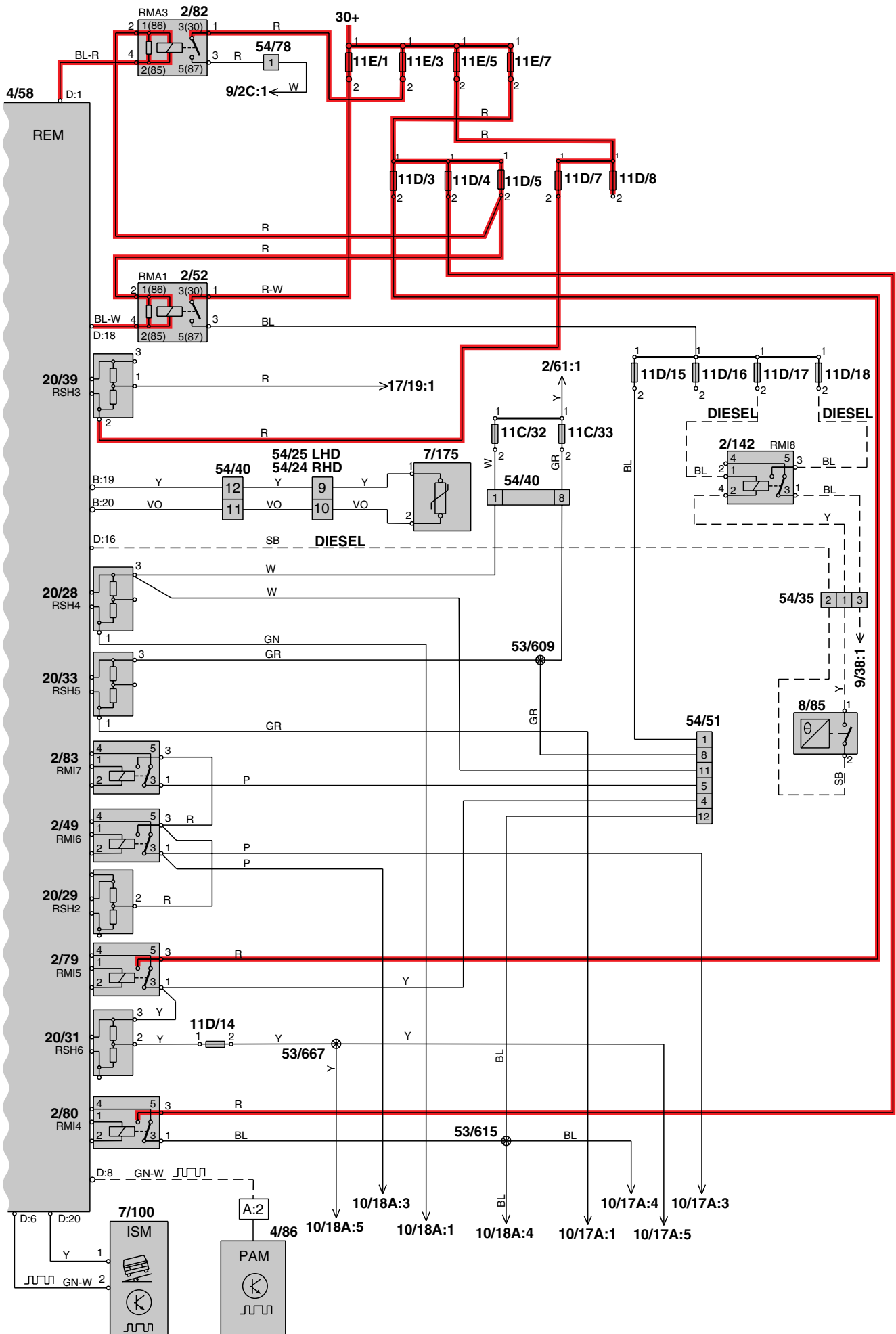


# Control modules

## Rear Electronic Module (REM) XC90



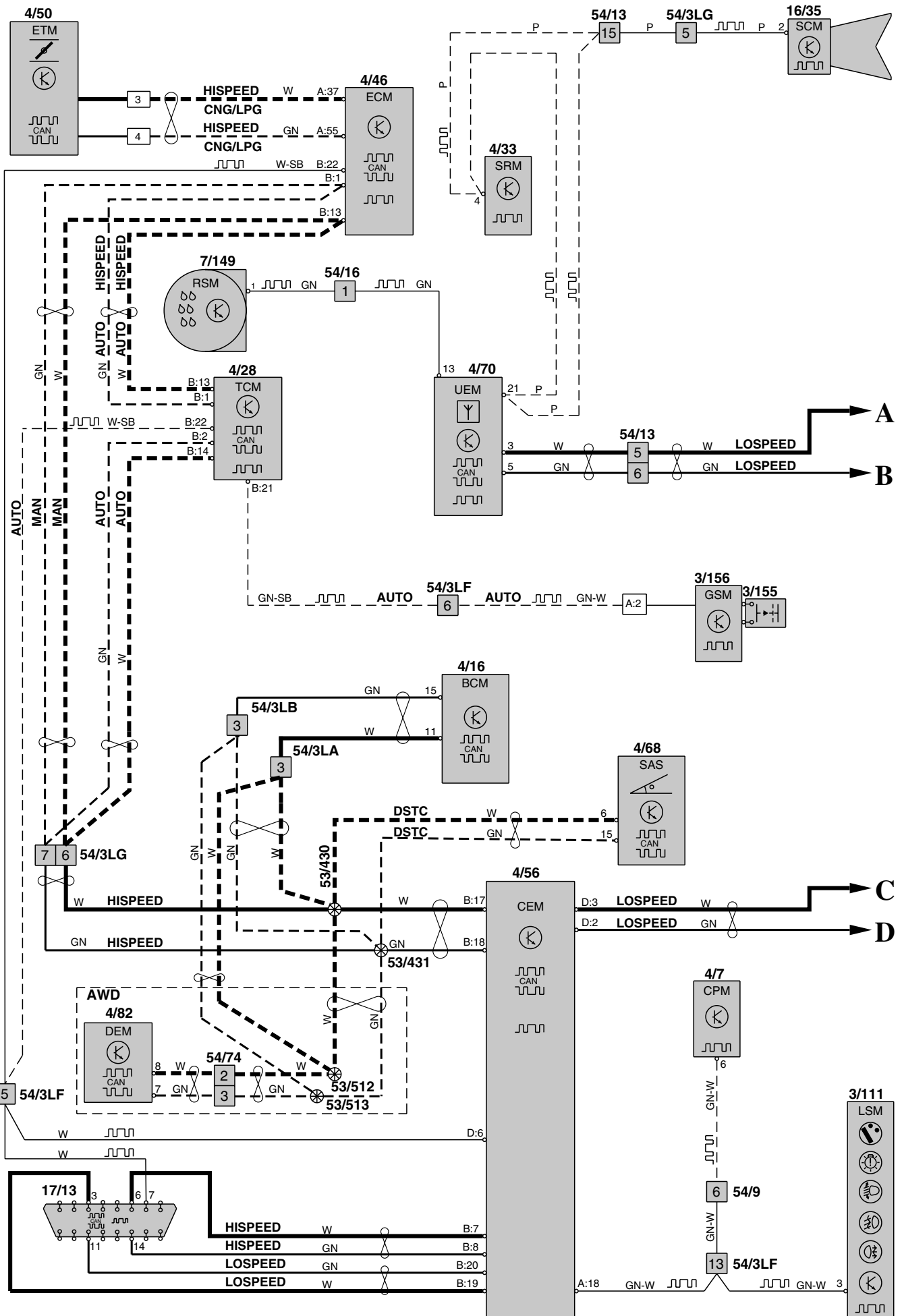
# Control modules Rear Electronic Module (REM) XC90



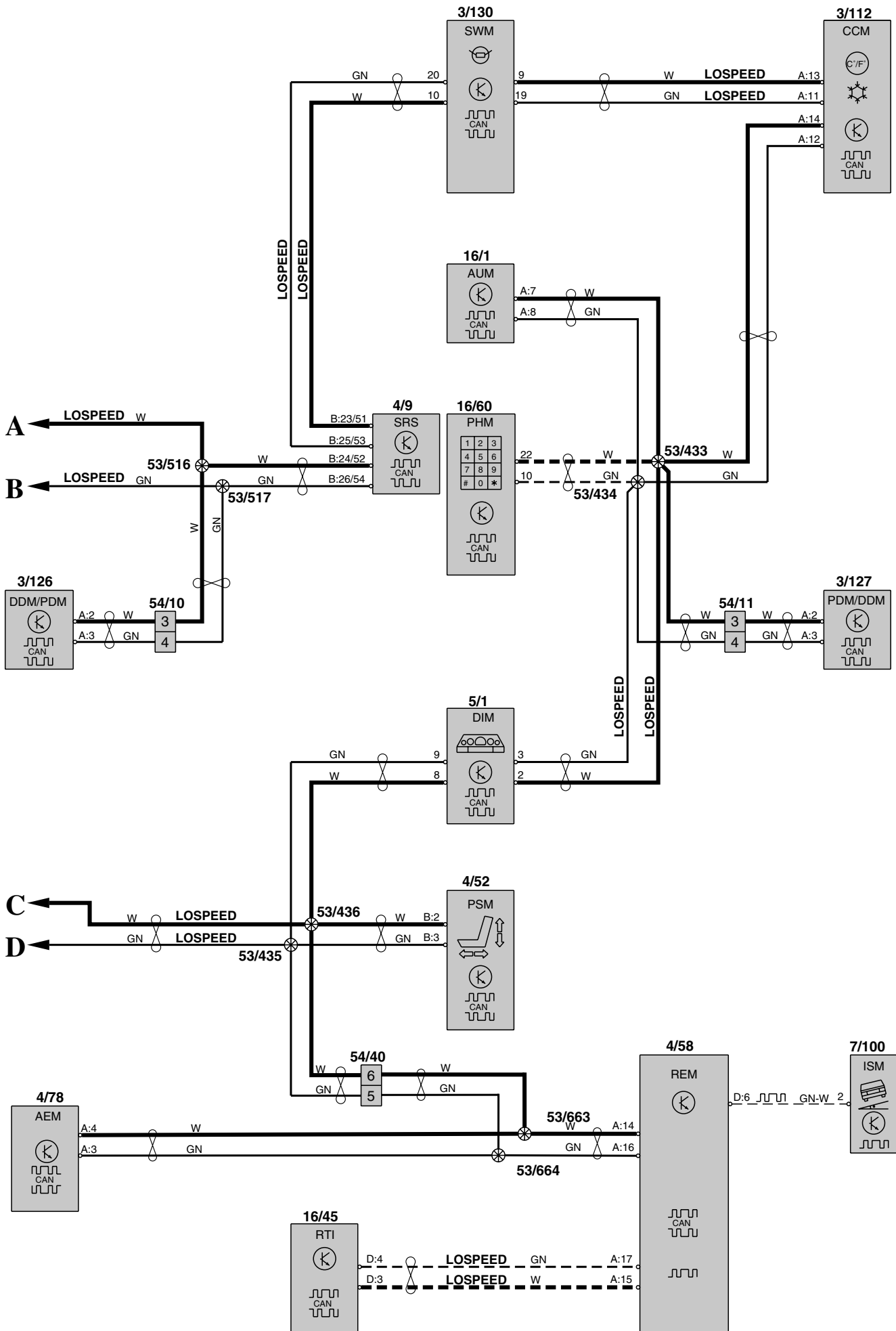


# Control modules

## Data communication V70/XC70

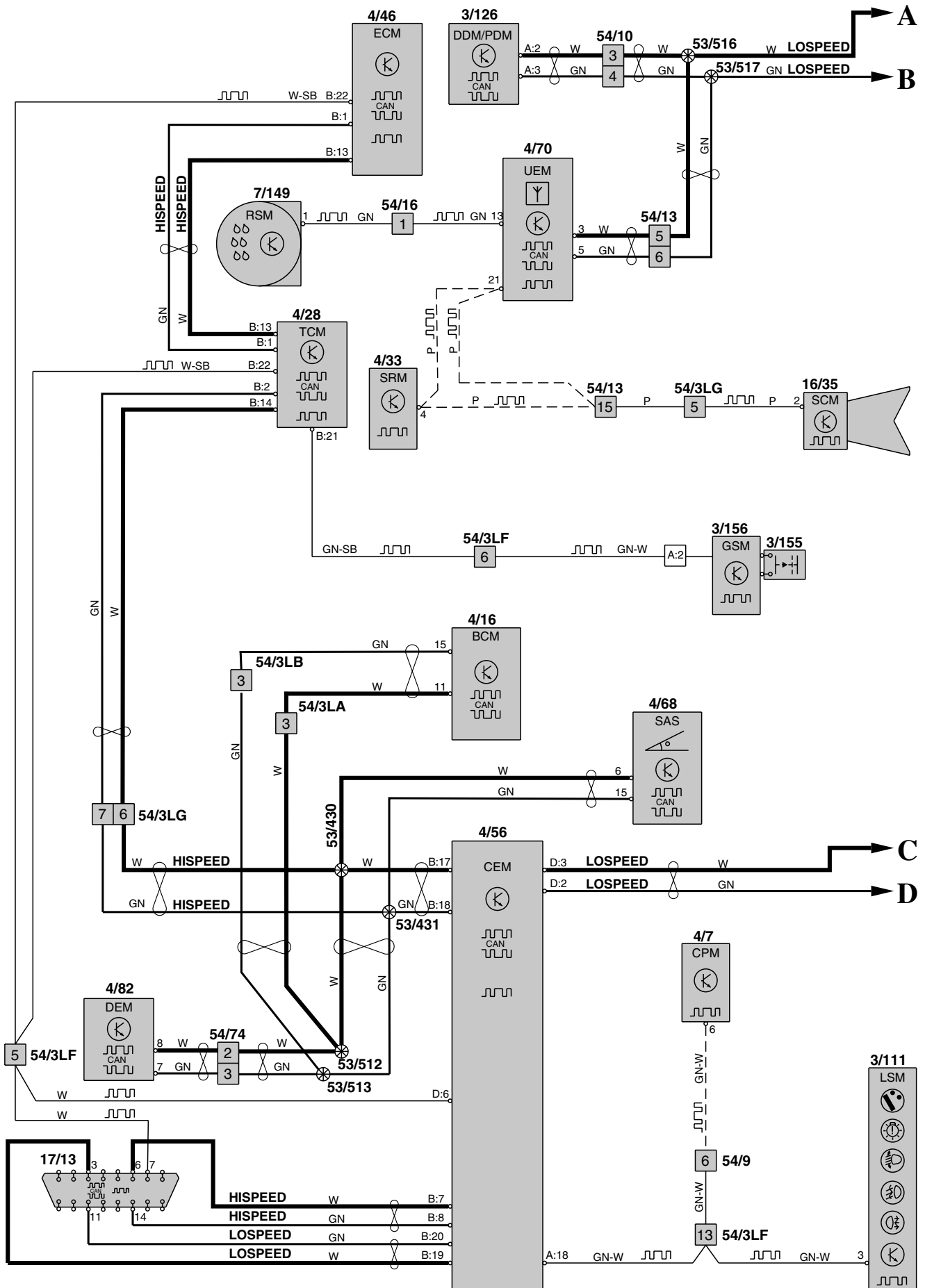


# Control modules Data communication V70/XC70



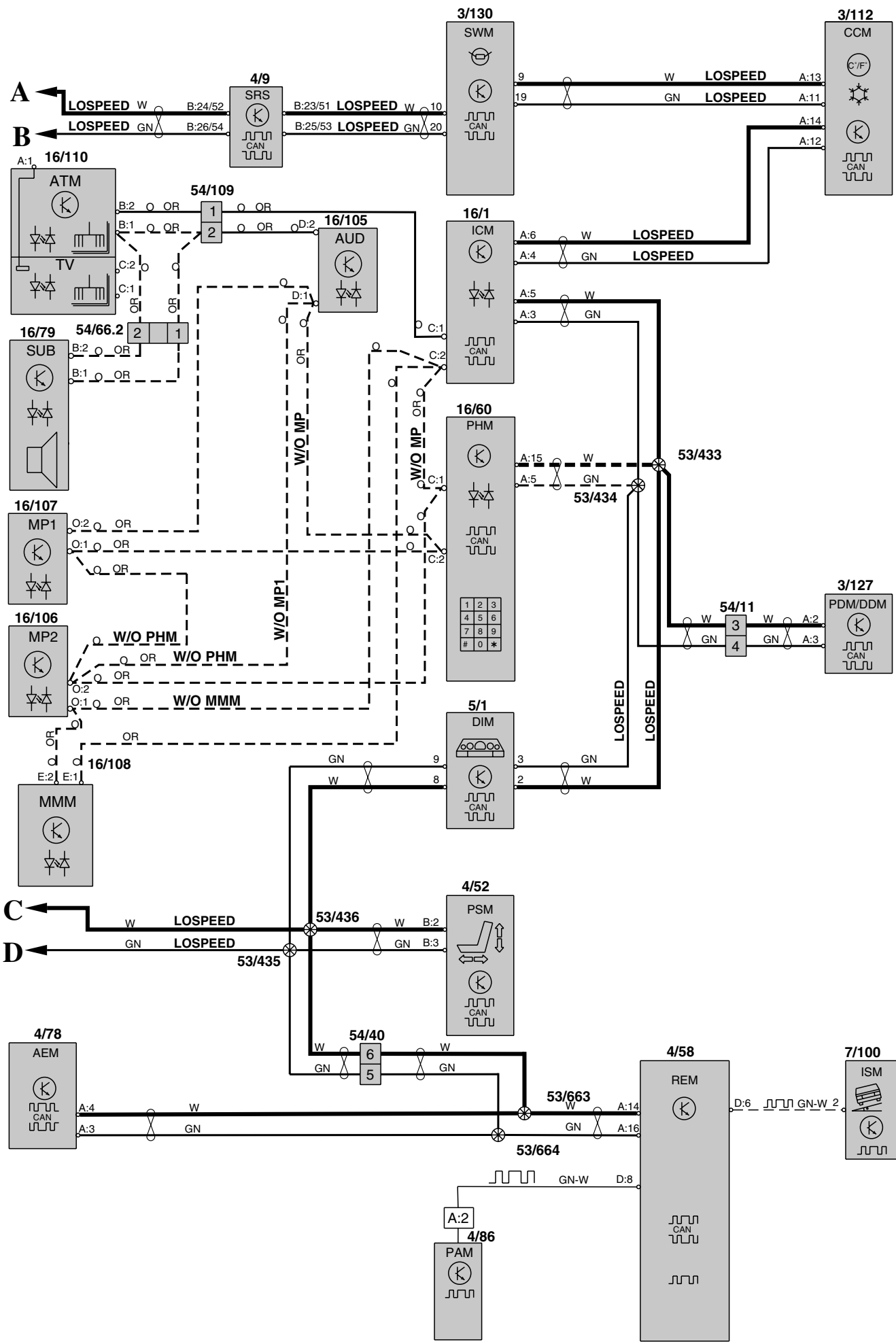
# Control modules

## Data communication XC90

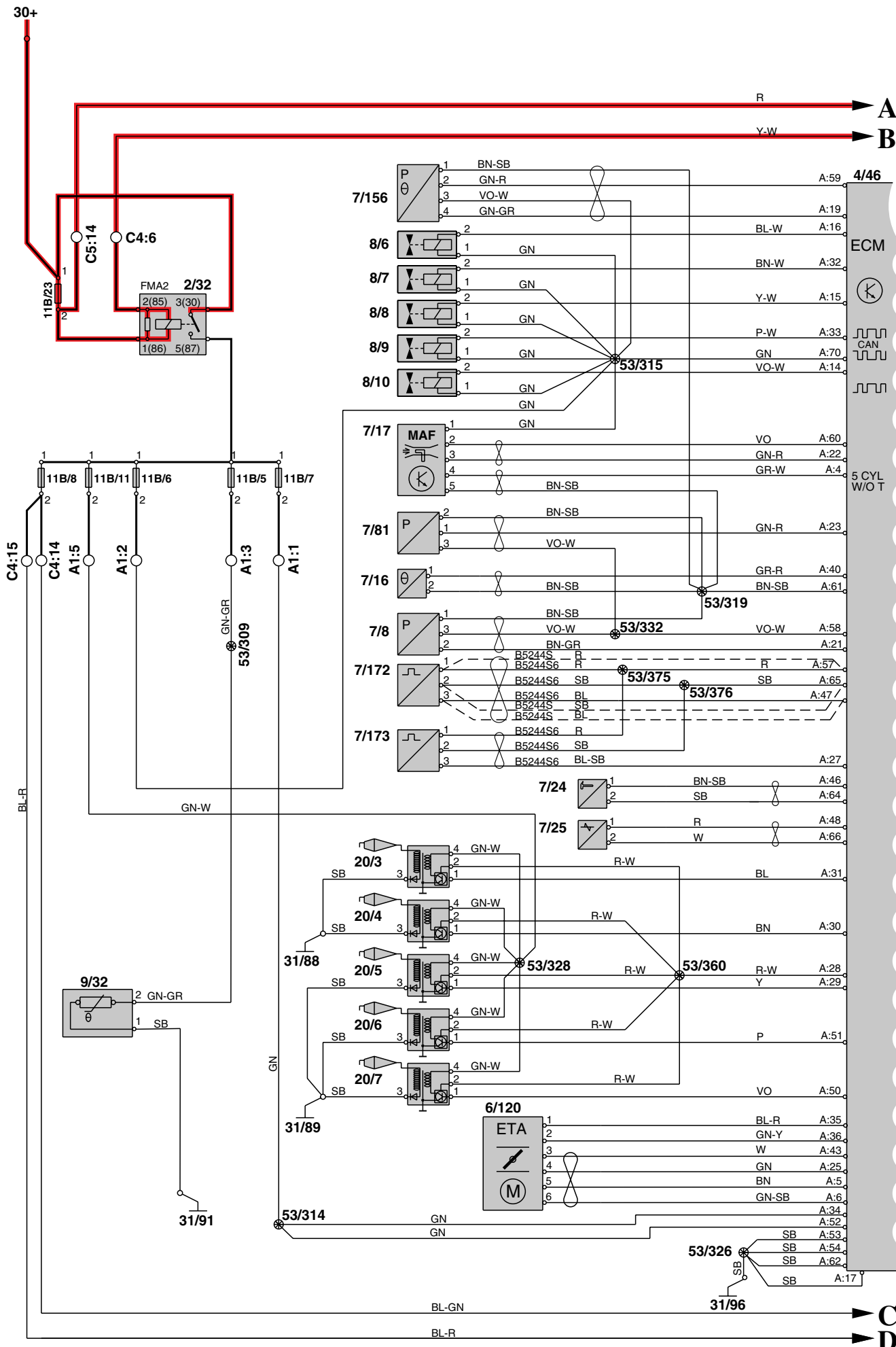


# Control modules

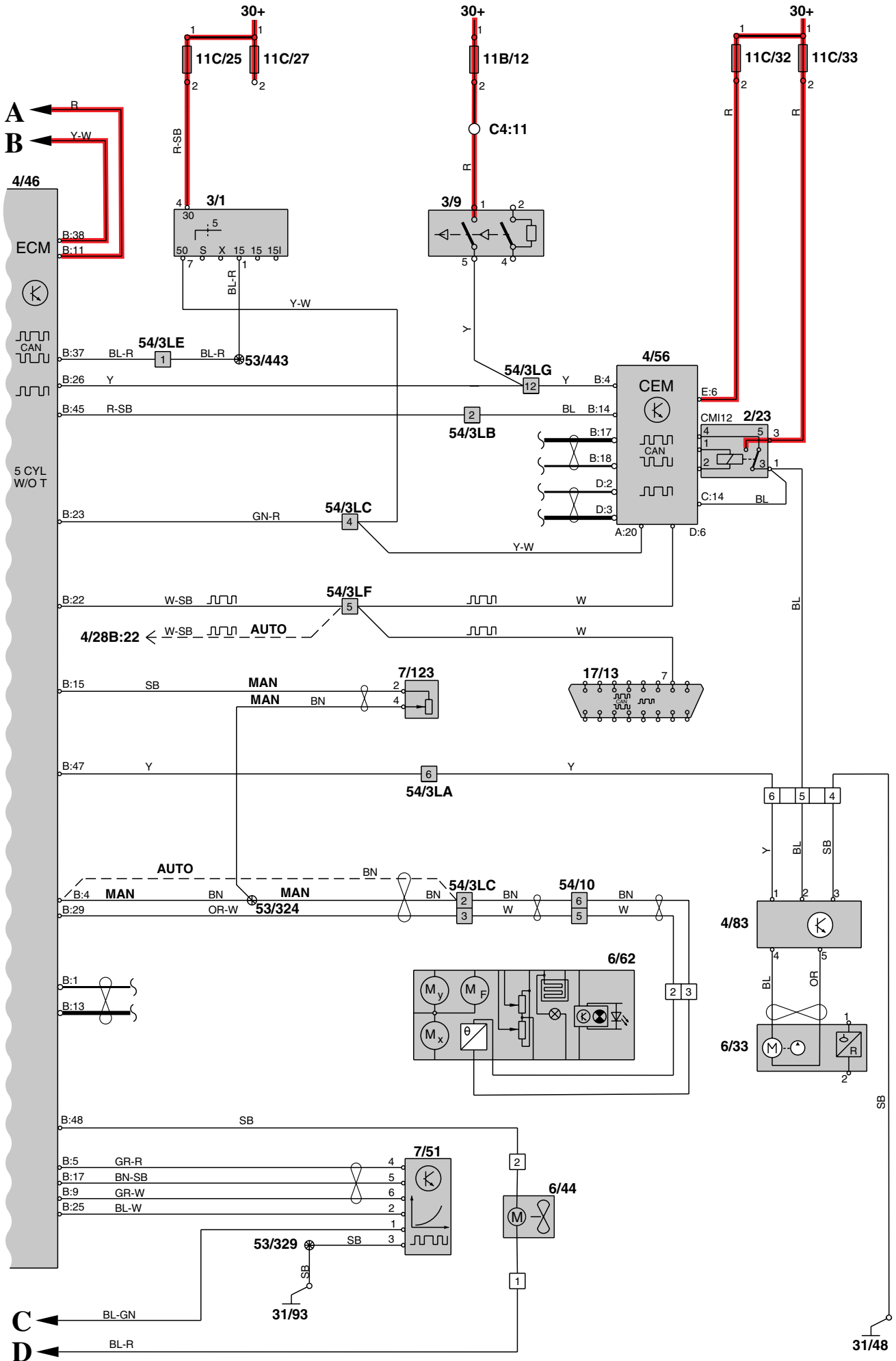
## Data communication XC90



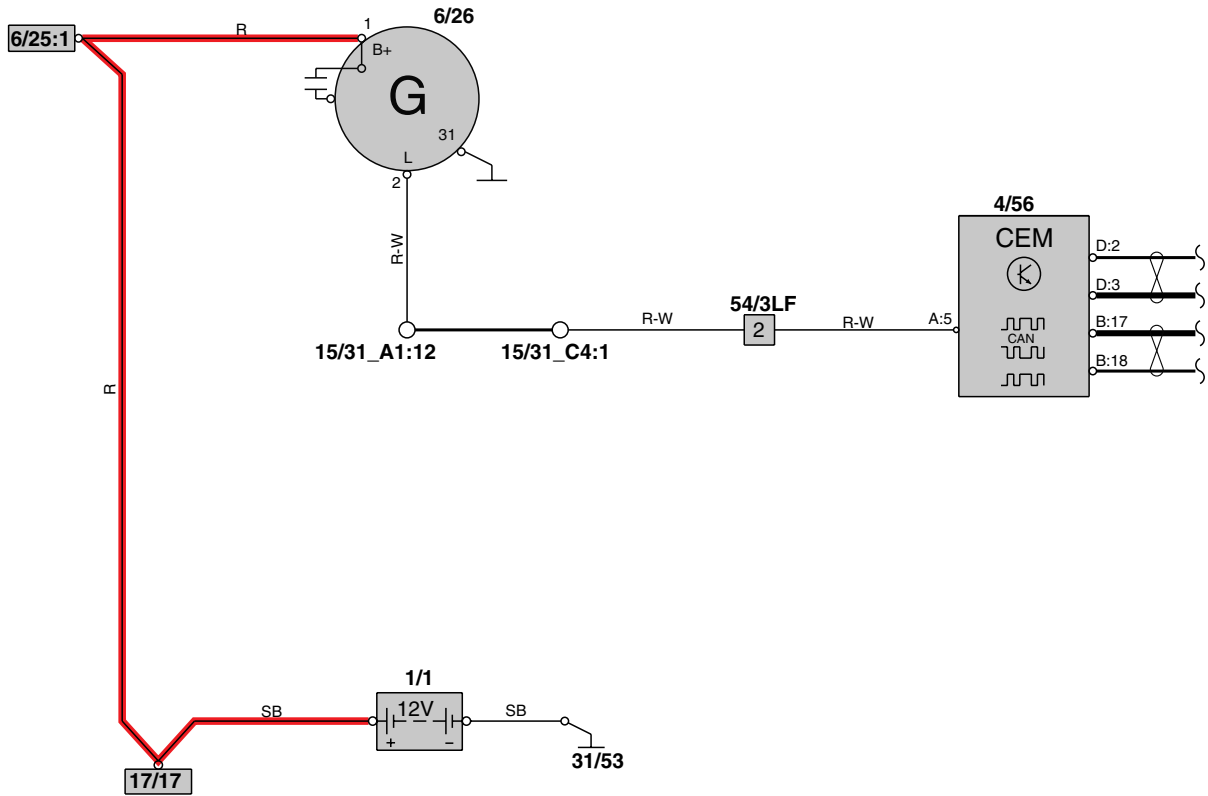
# Group 23 Engine management system B5244S6, B5244S USA



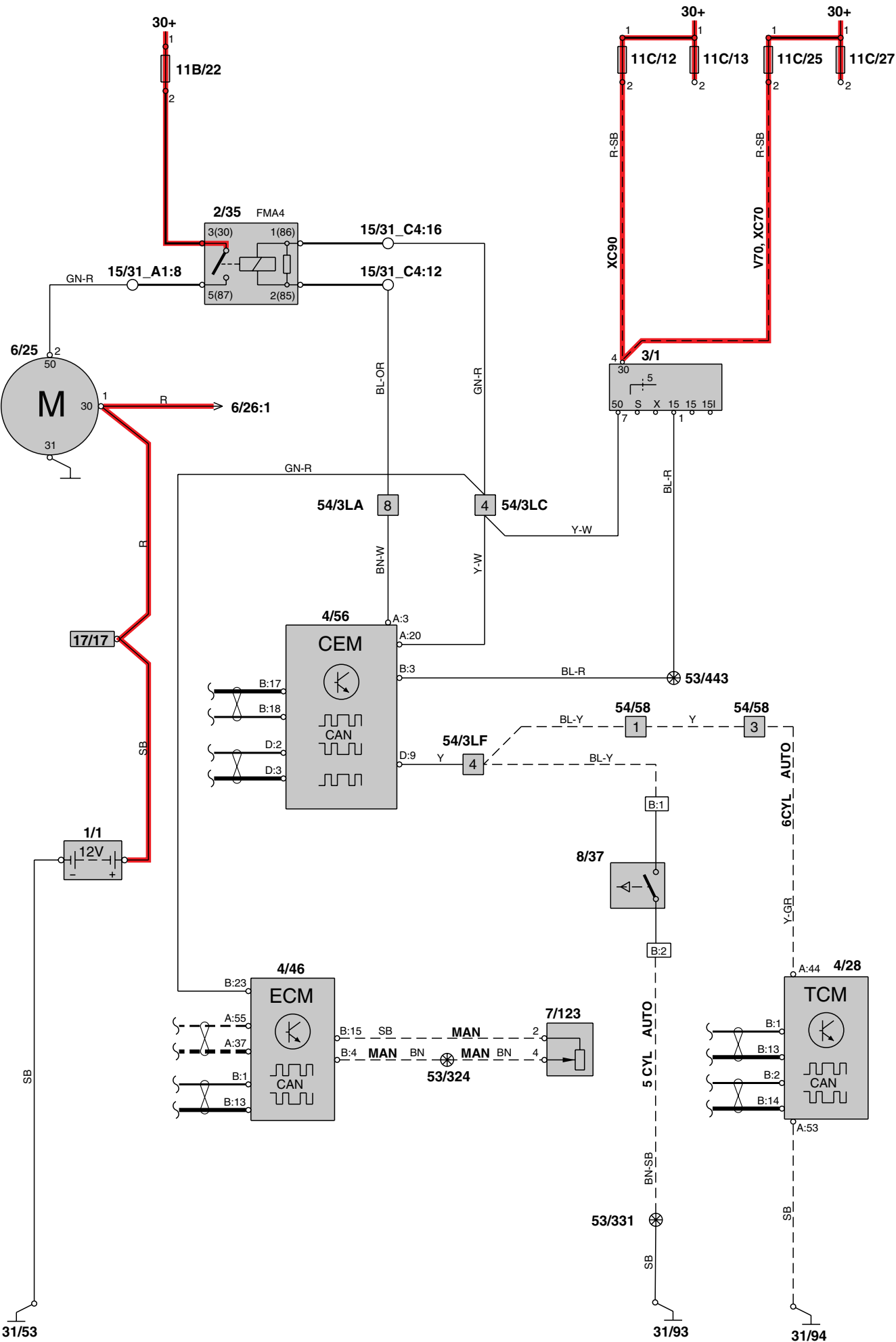
# Engine management system B5244S6, B5244S USA



# Group 32 Power supply

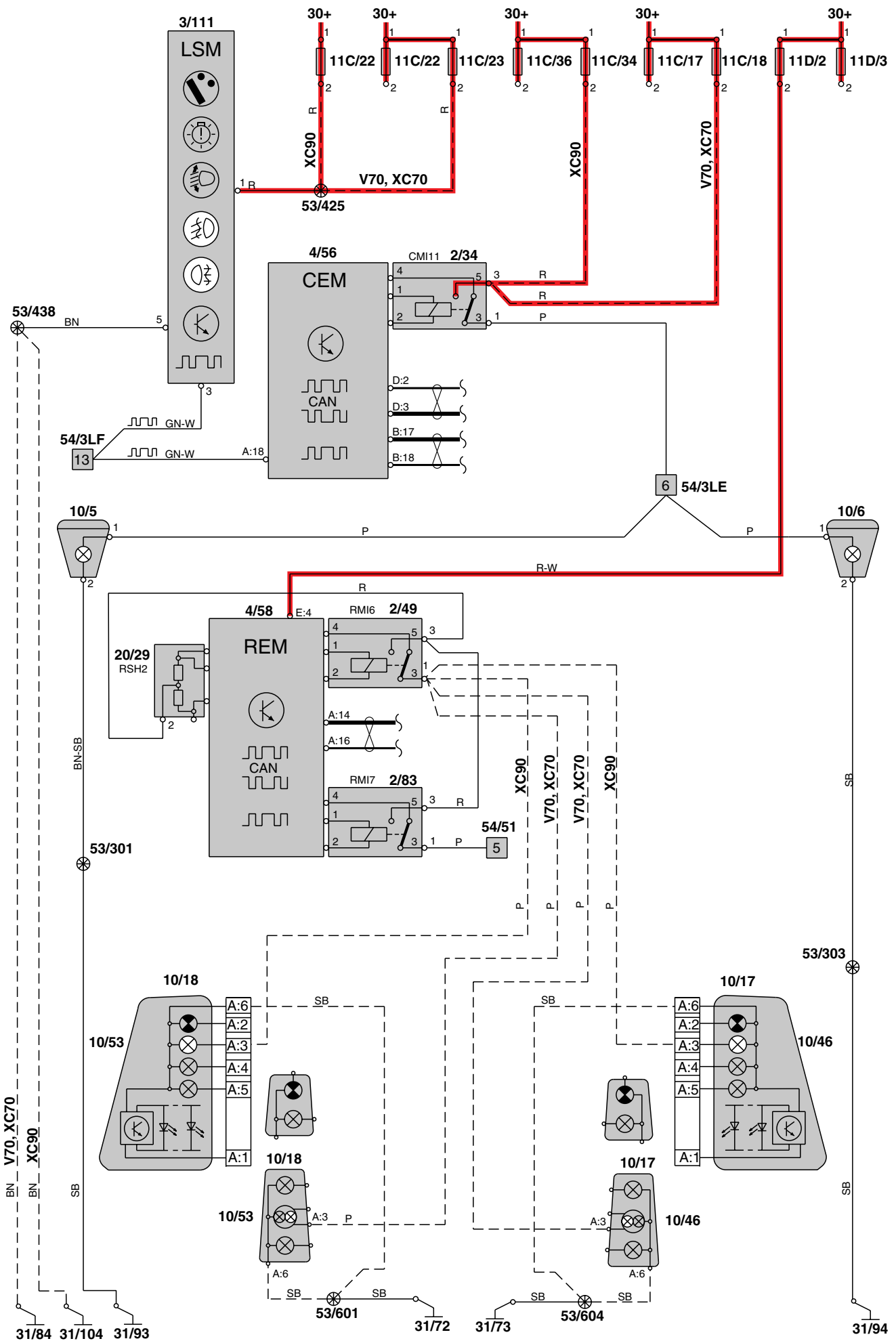


# Group 33 Starting system

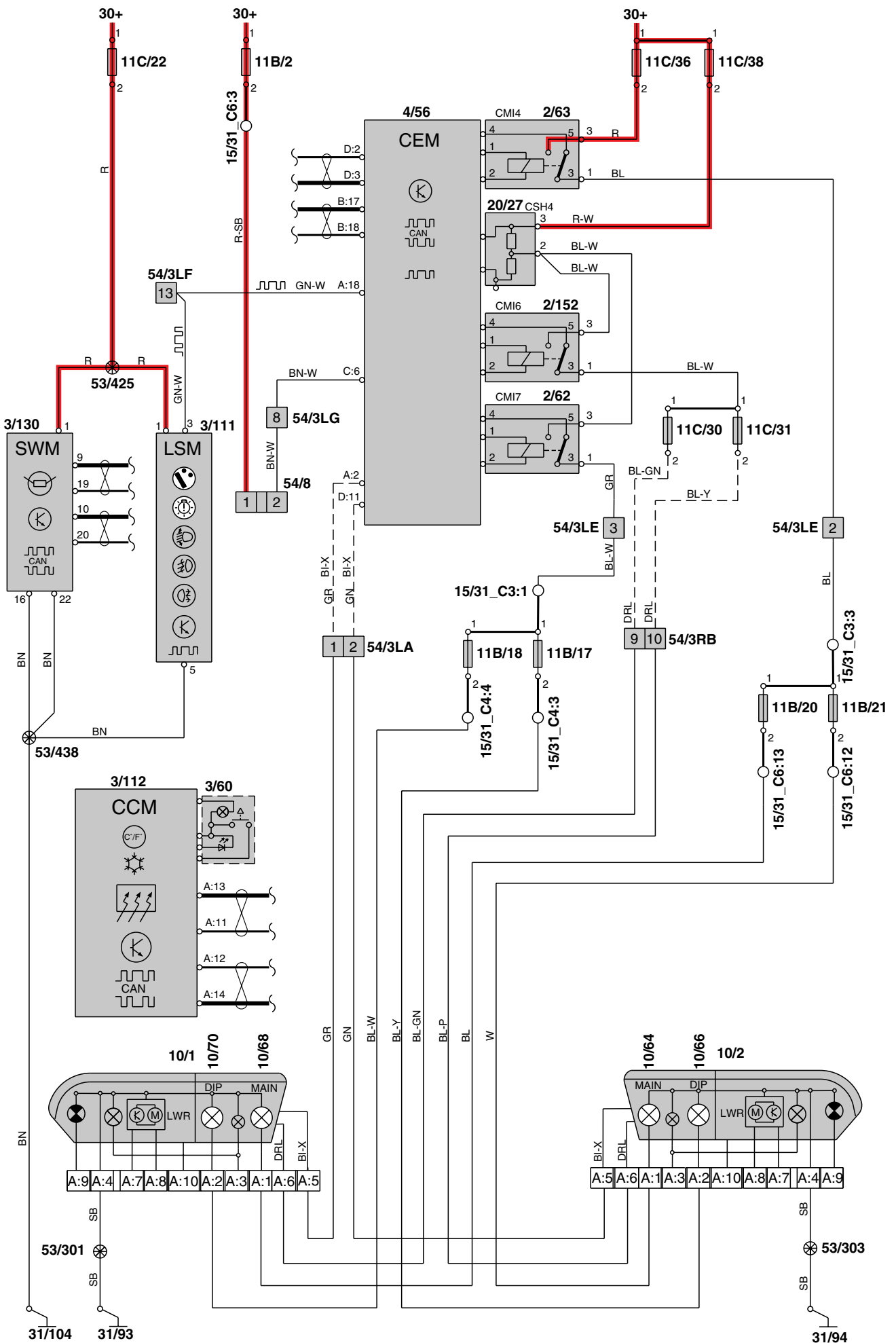




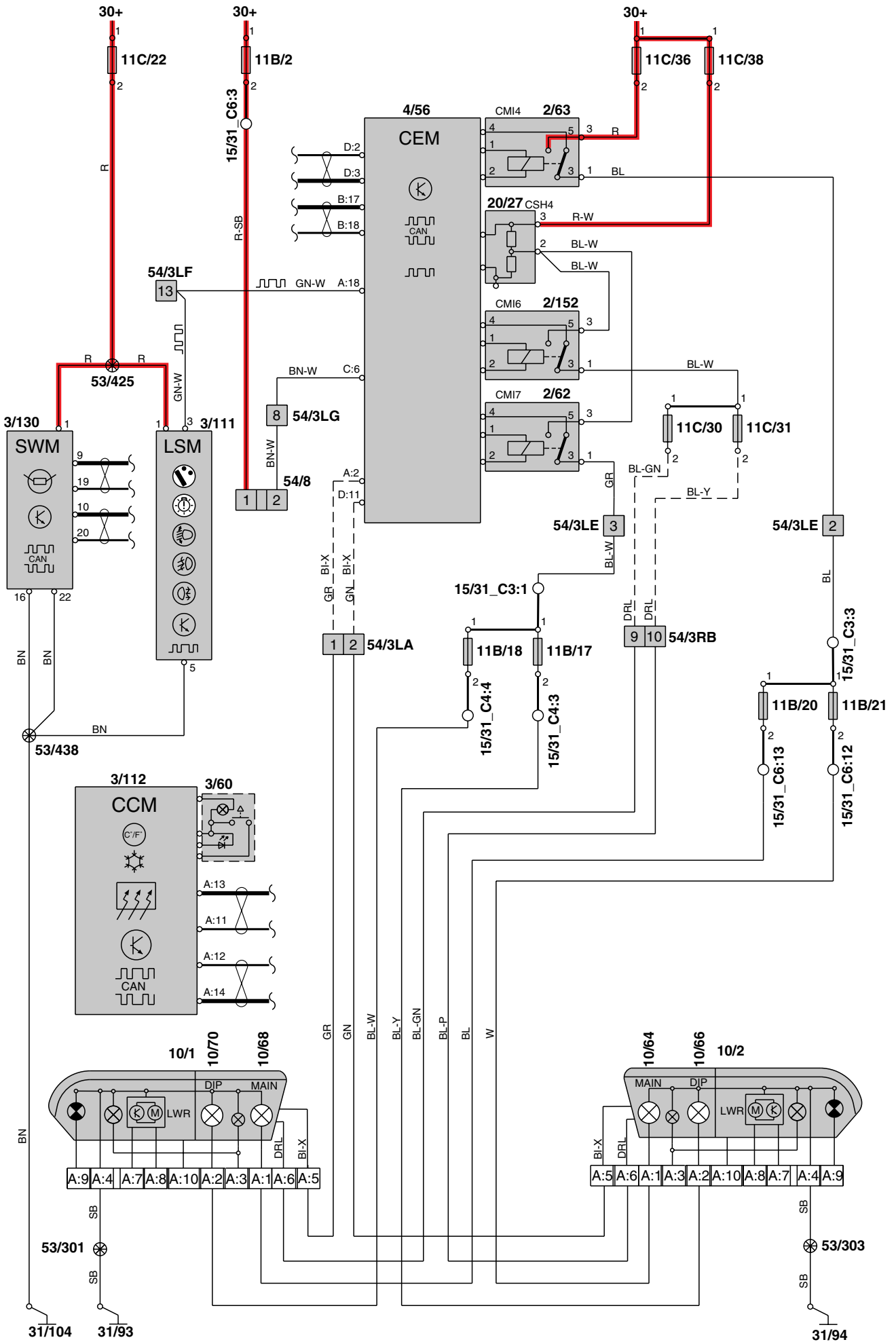
# Group 35 Fog lights



# High and low beam XC90 Daytime running lights and auxiliary light wiring XC90

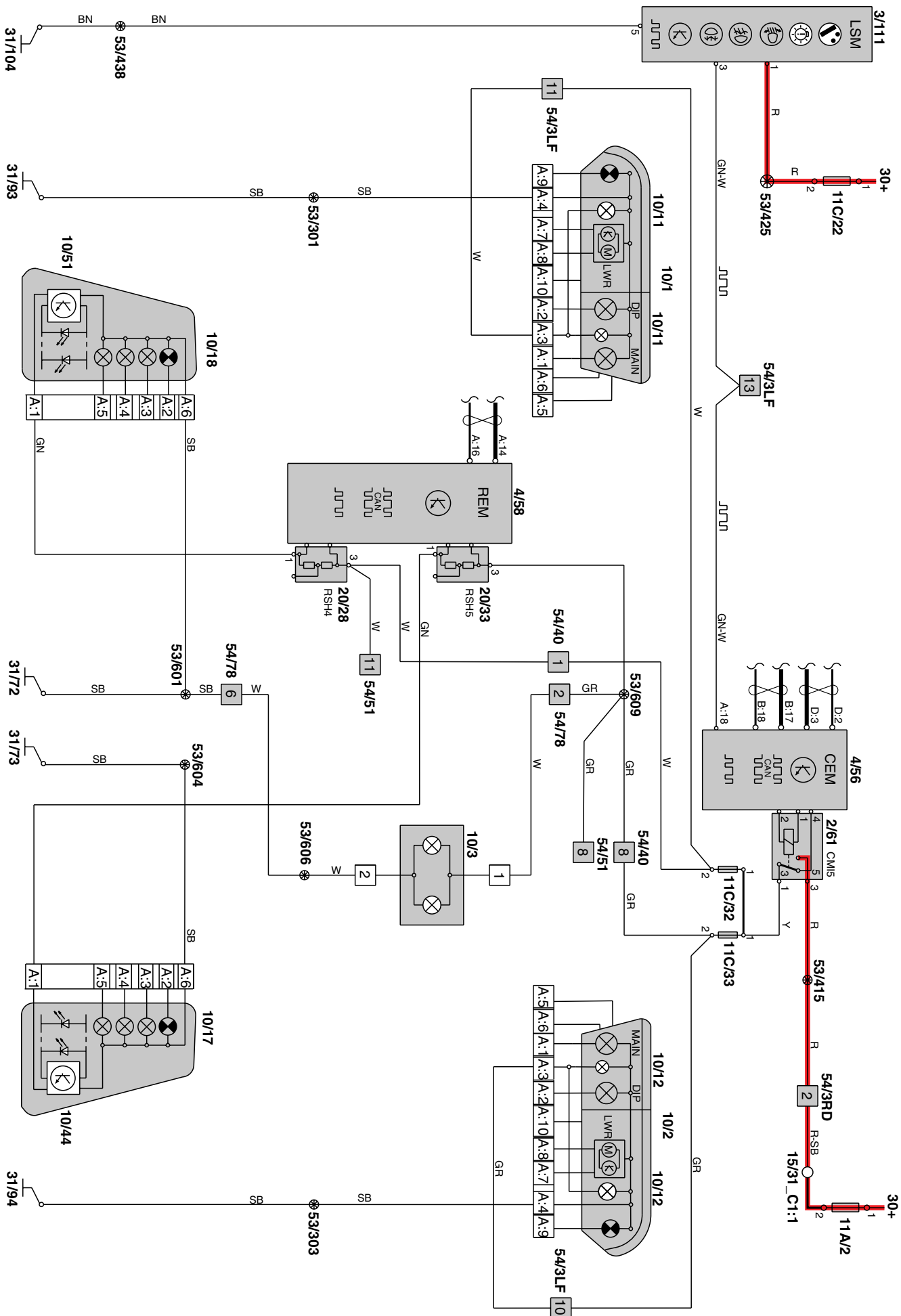


# High and low beam XC90 Daytime running lights and auxiliary light wiring XC90



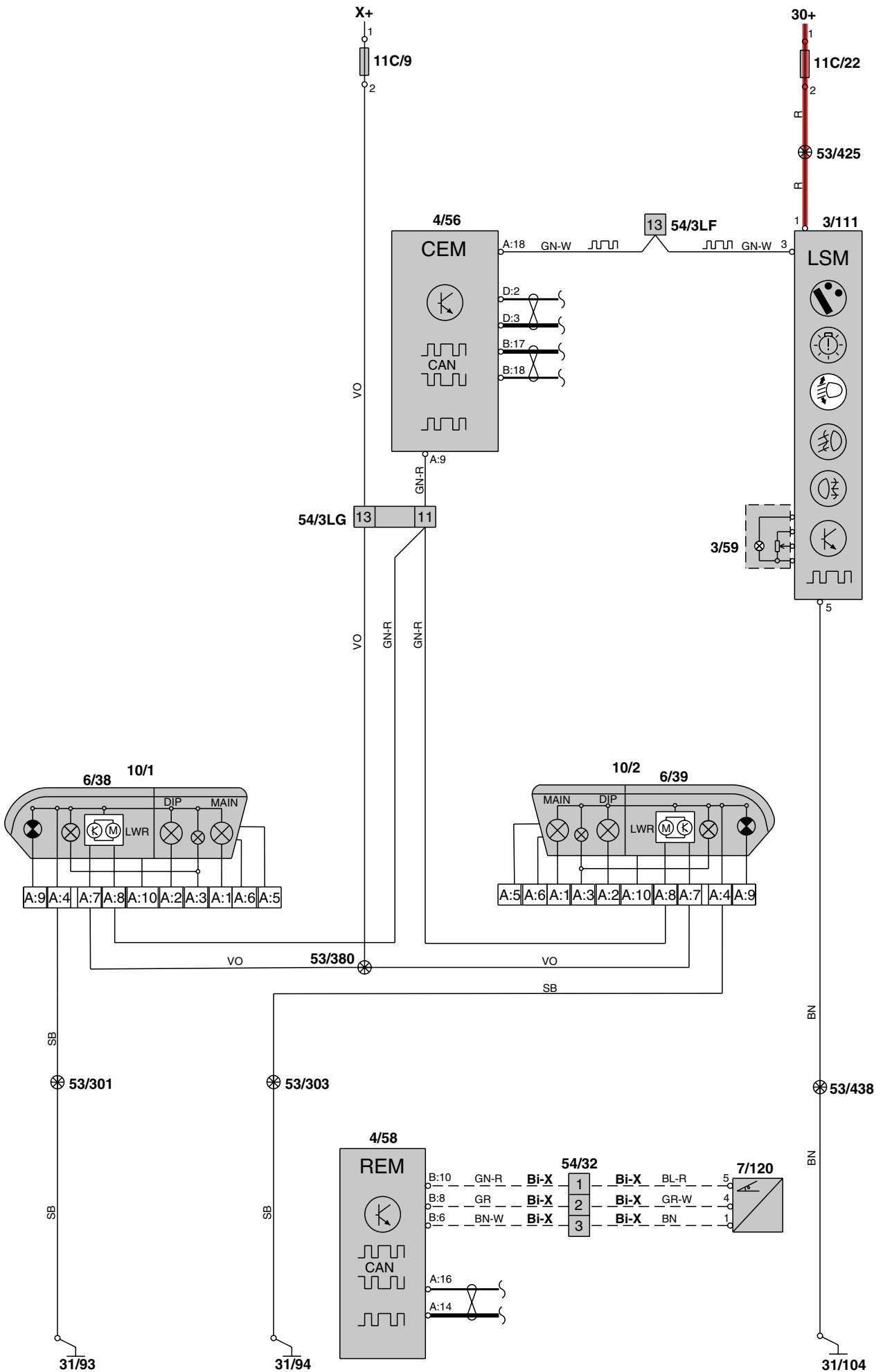


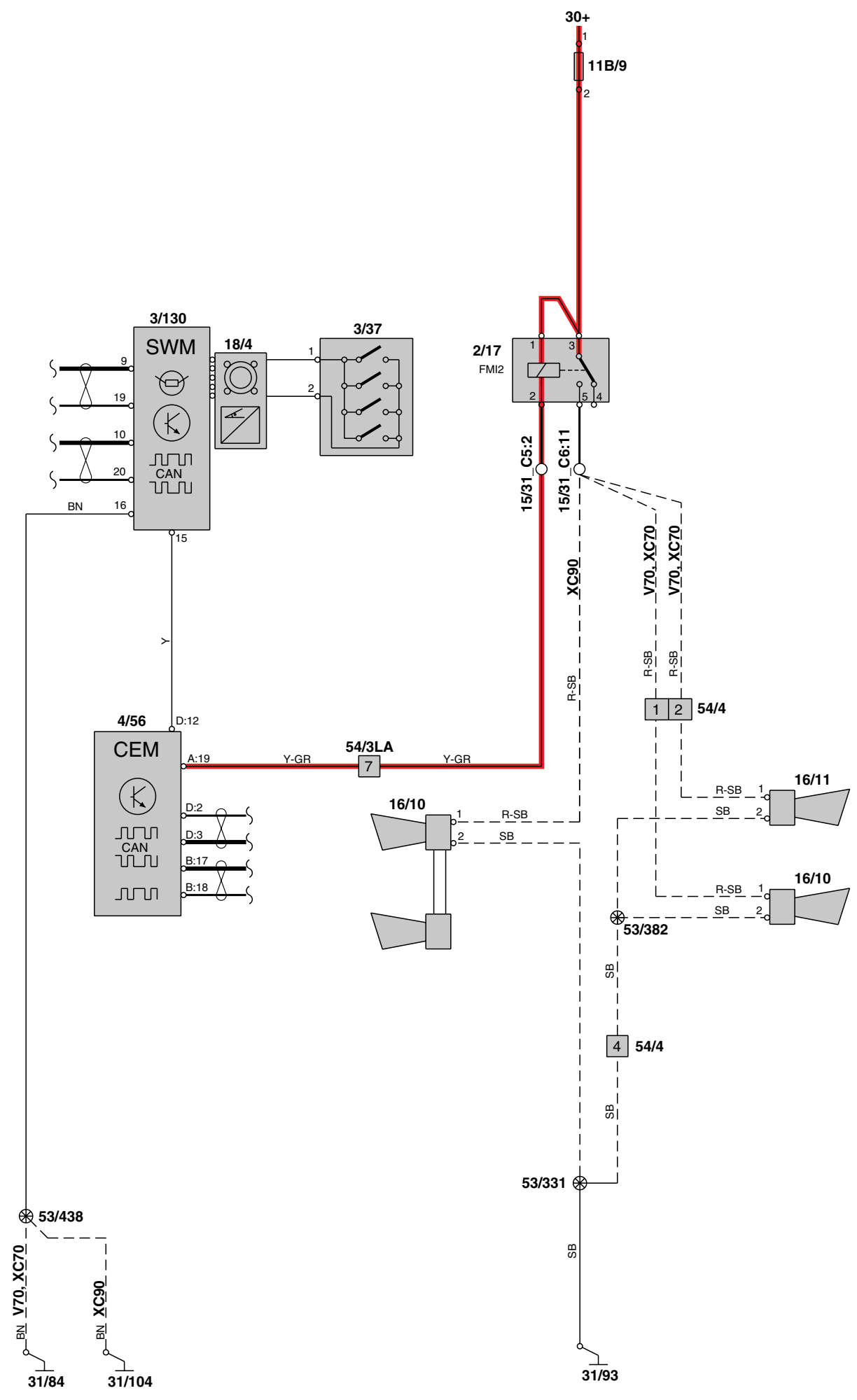
# Parking lights XC90 Tail lights and license plate lighting XC90





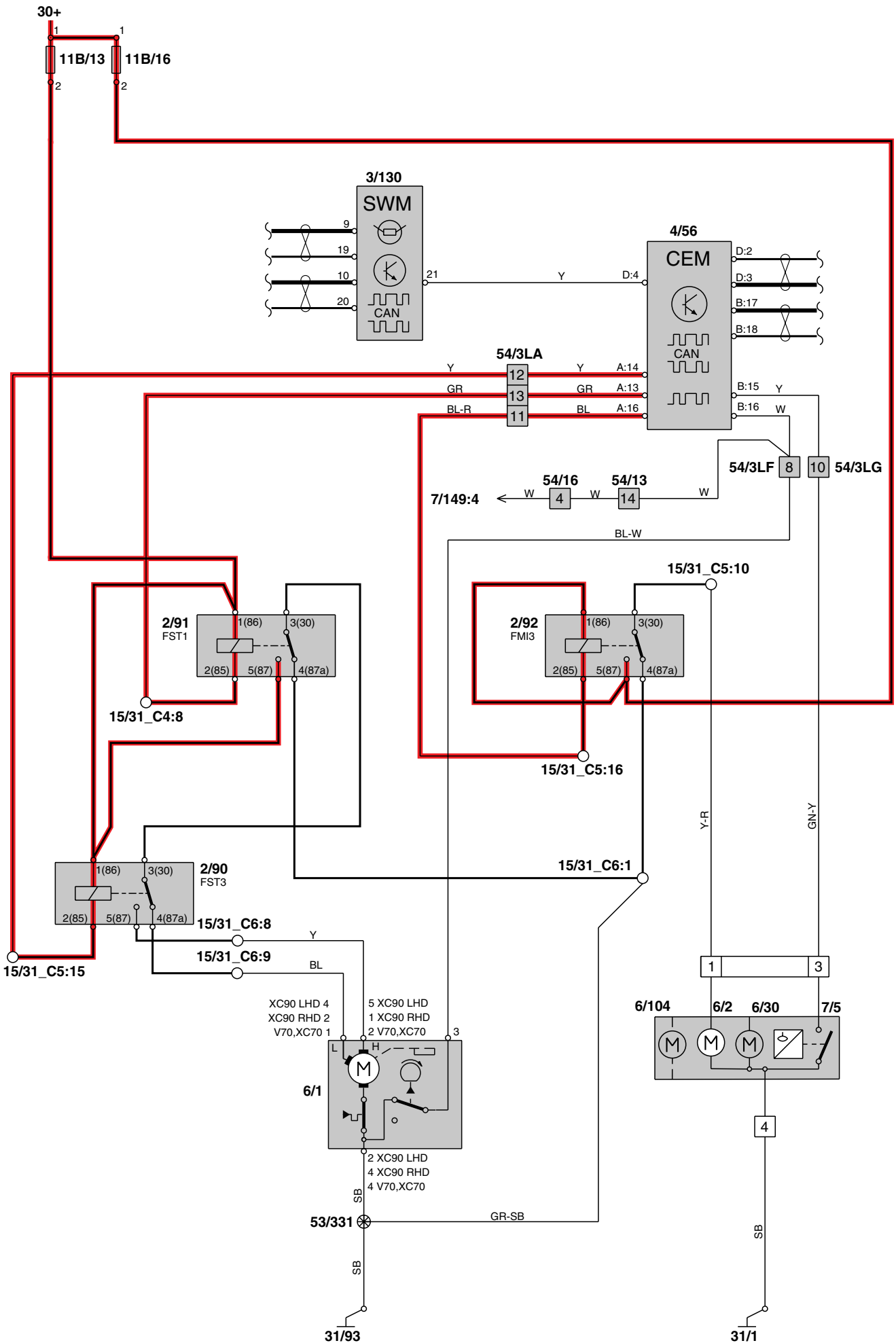
# Beam length adjustment XC90



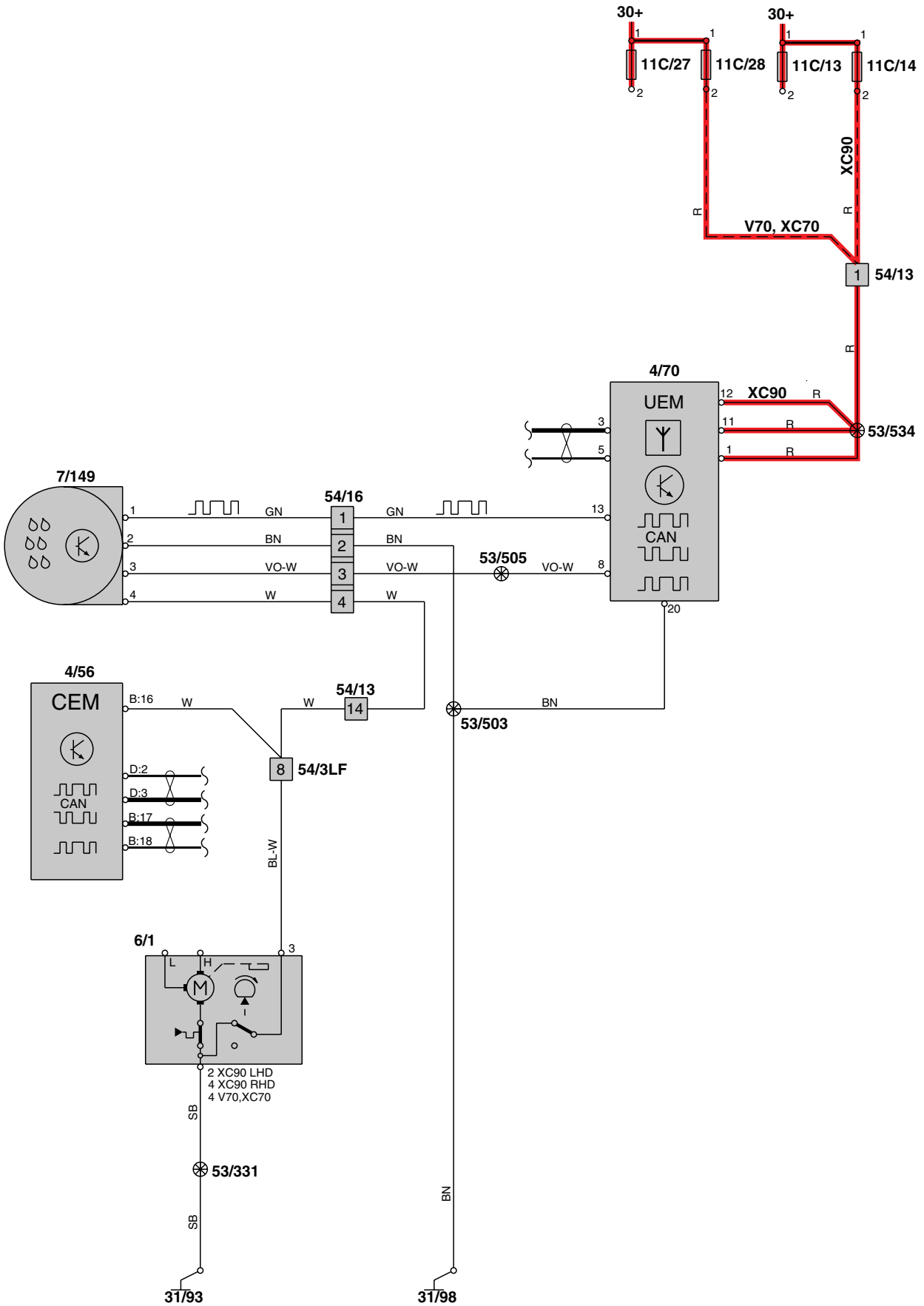




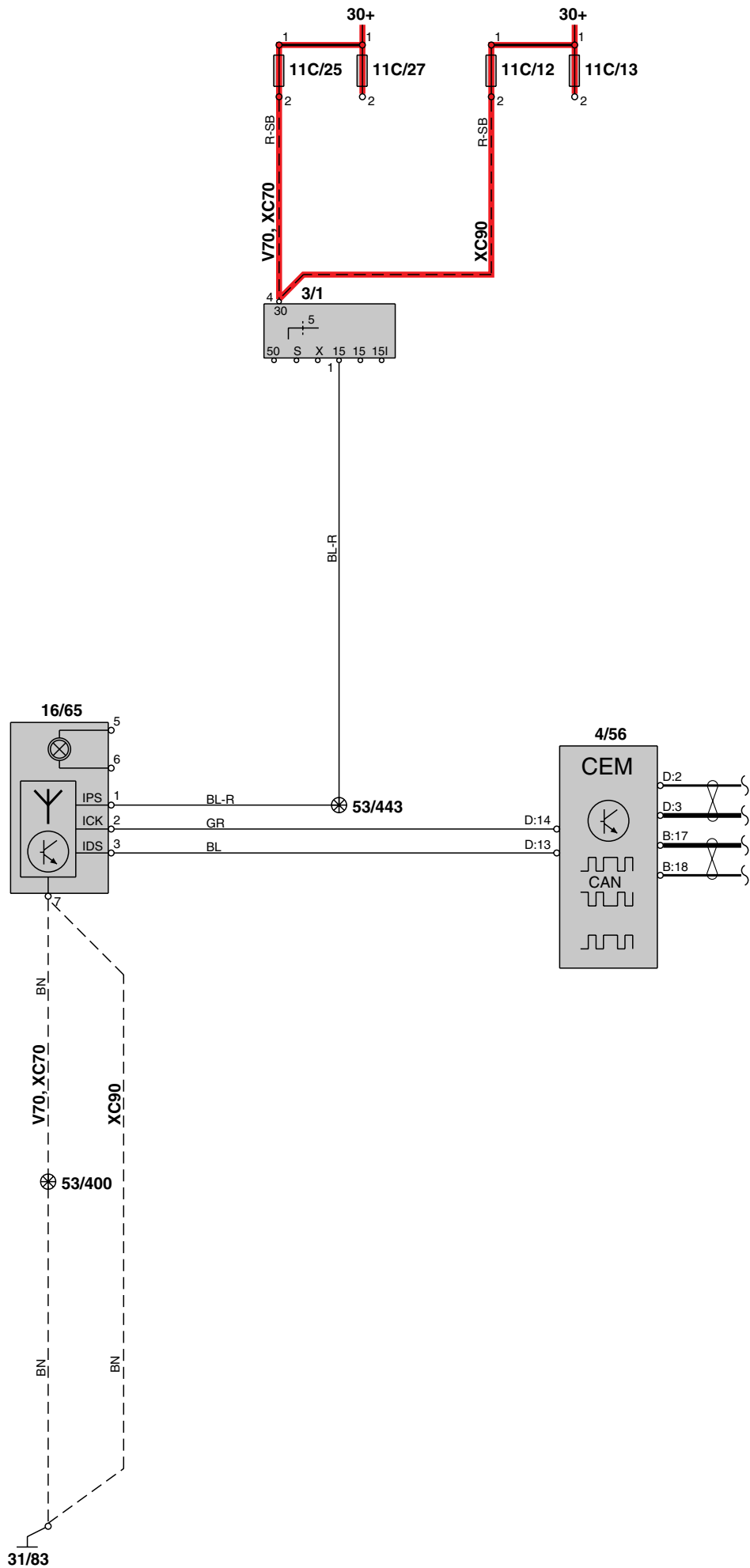
# Wipers/washers, windshield

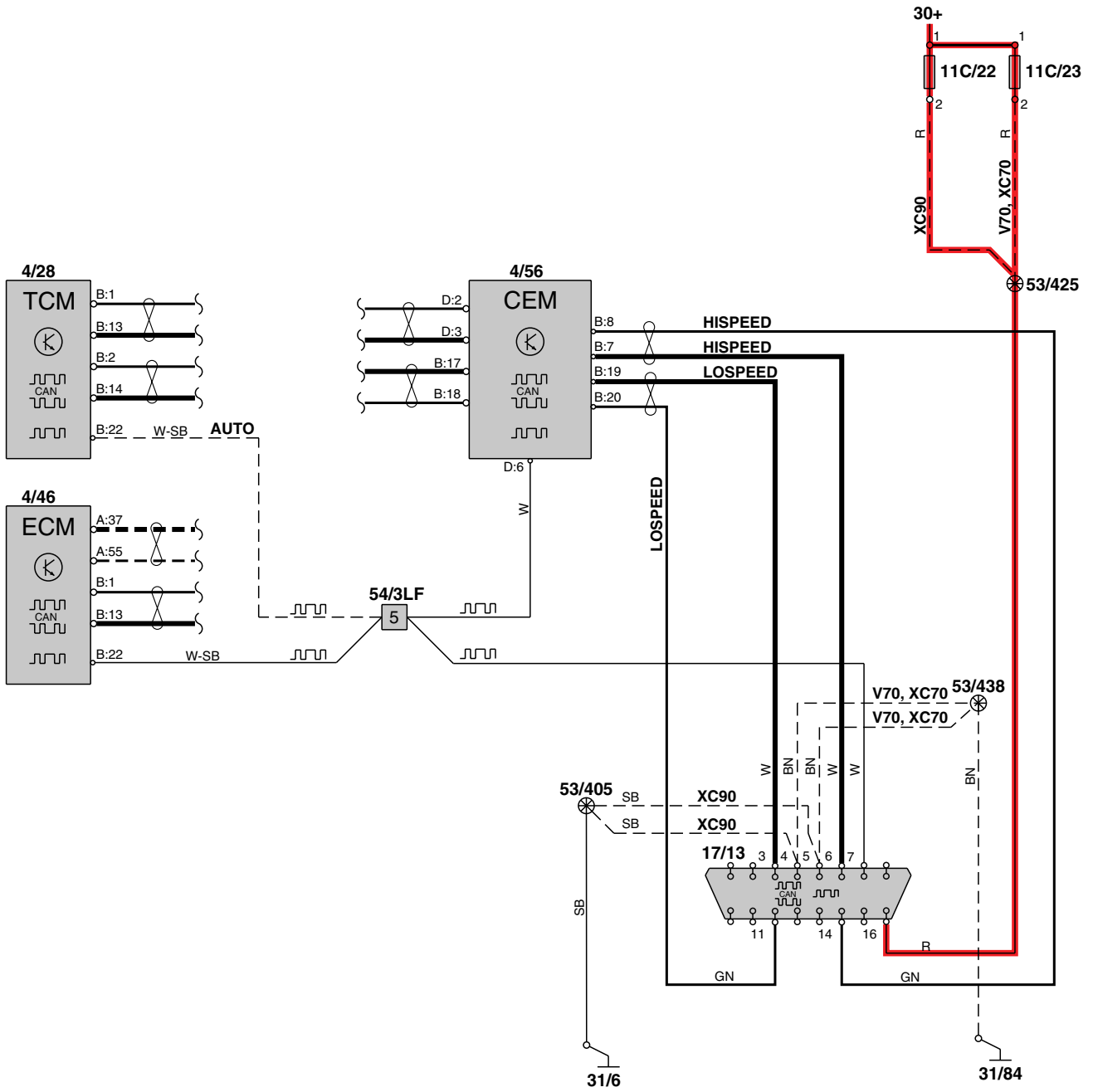


# Rain sensor

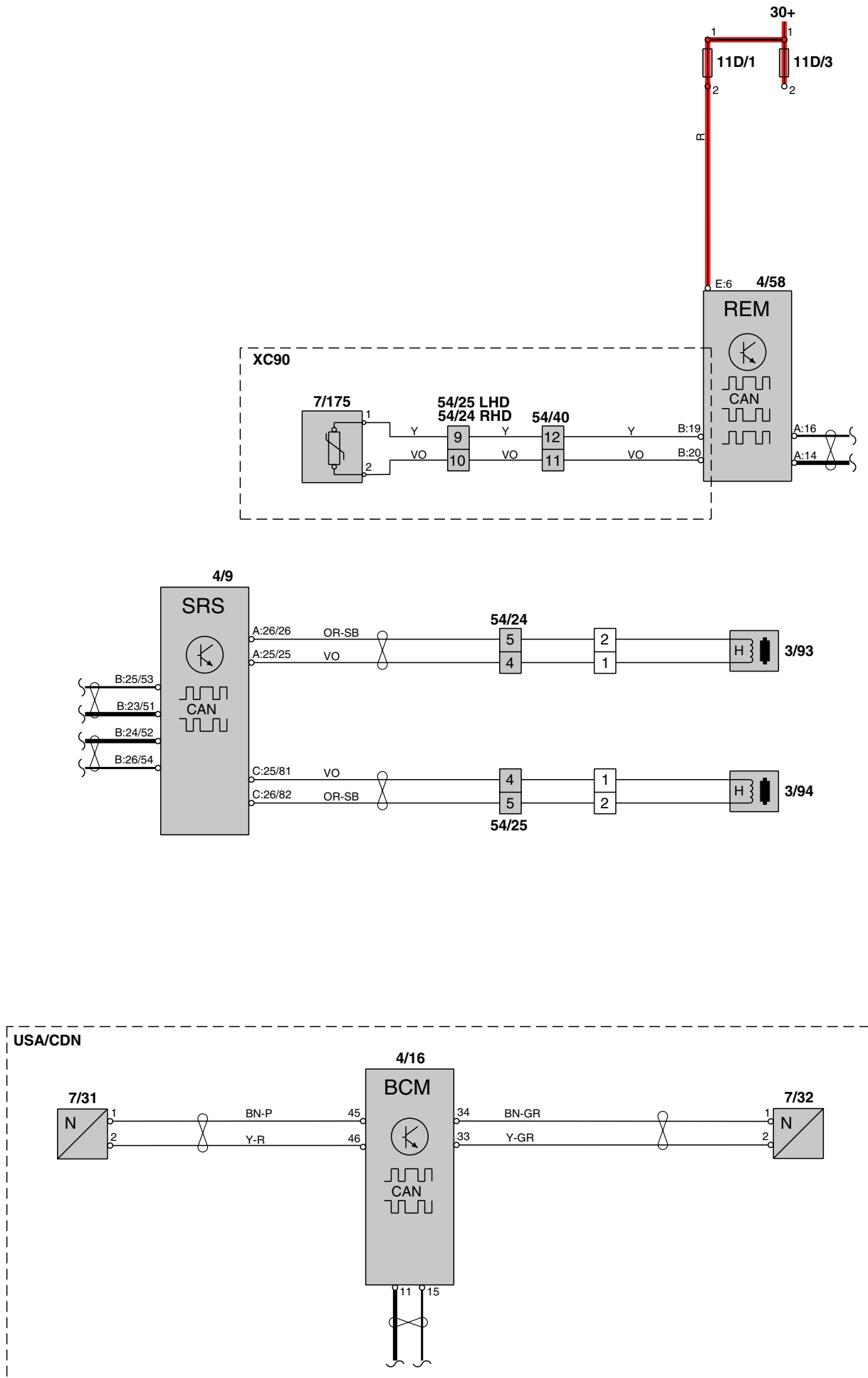


# Electronic immobilizer

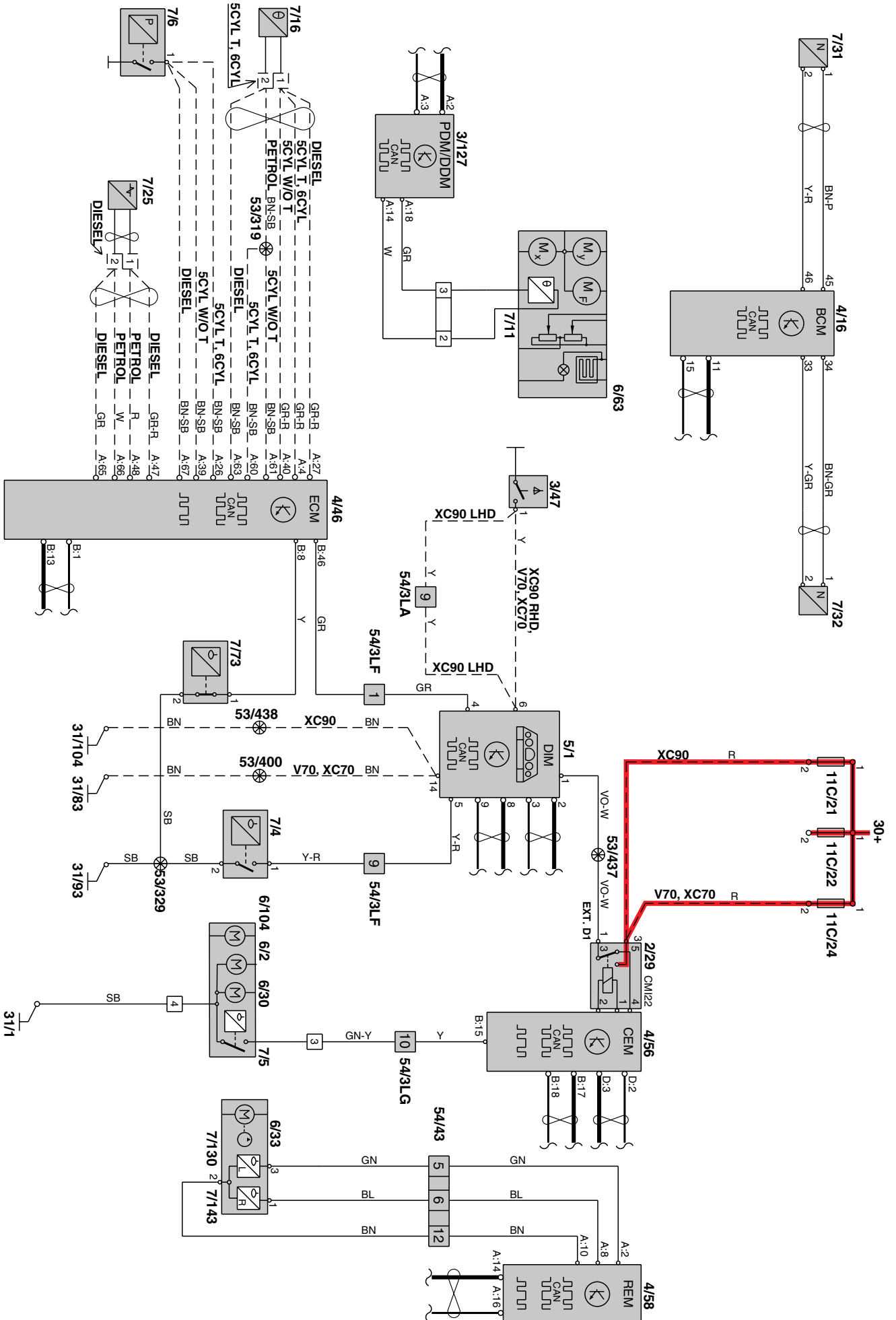




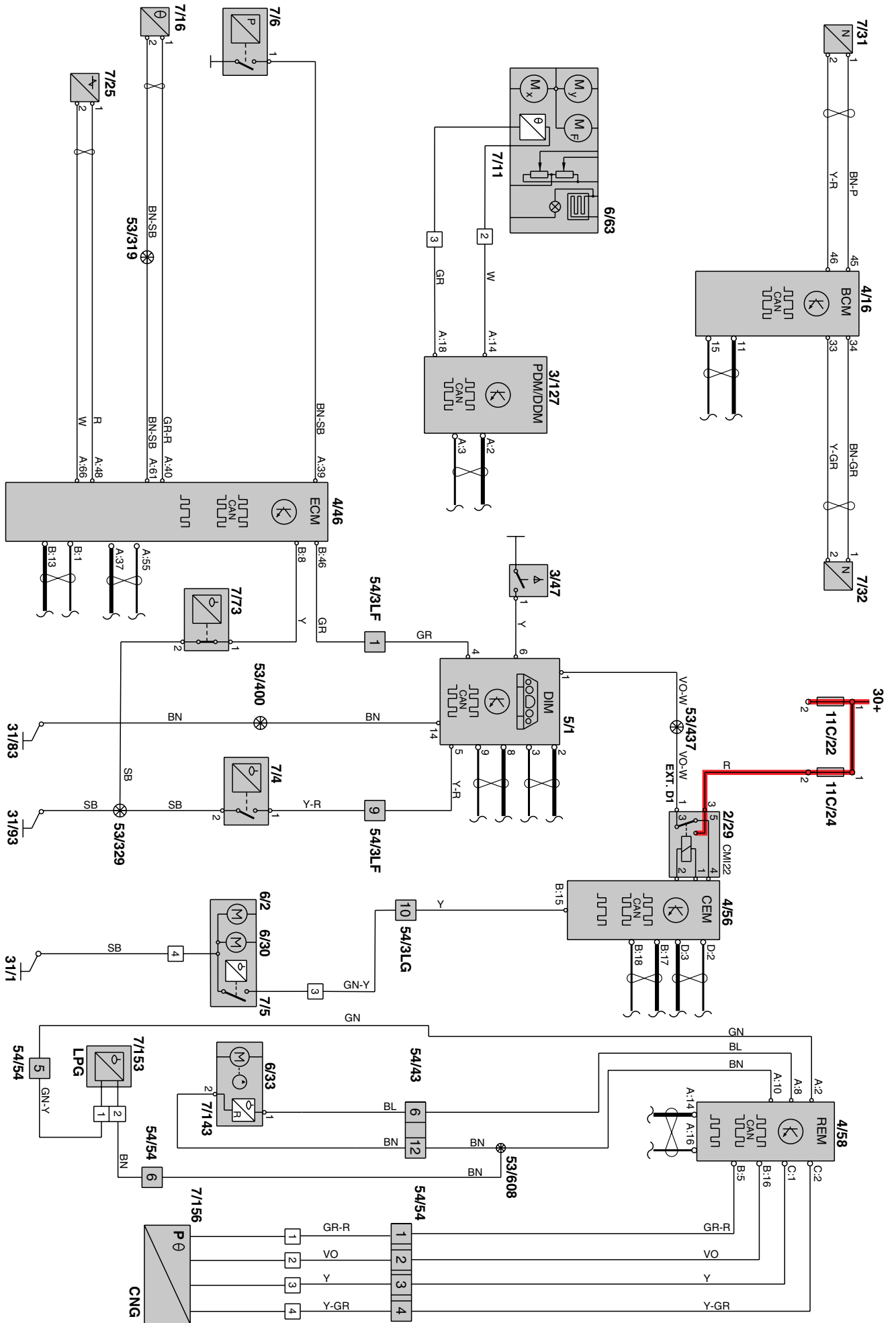
# Group 38 Seat belt reminder

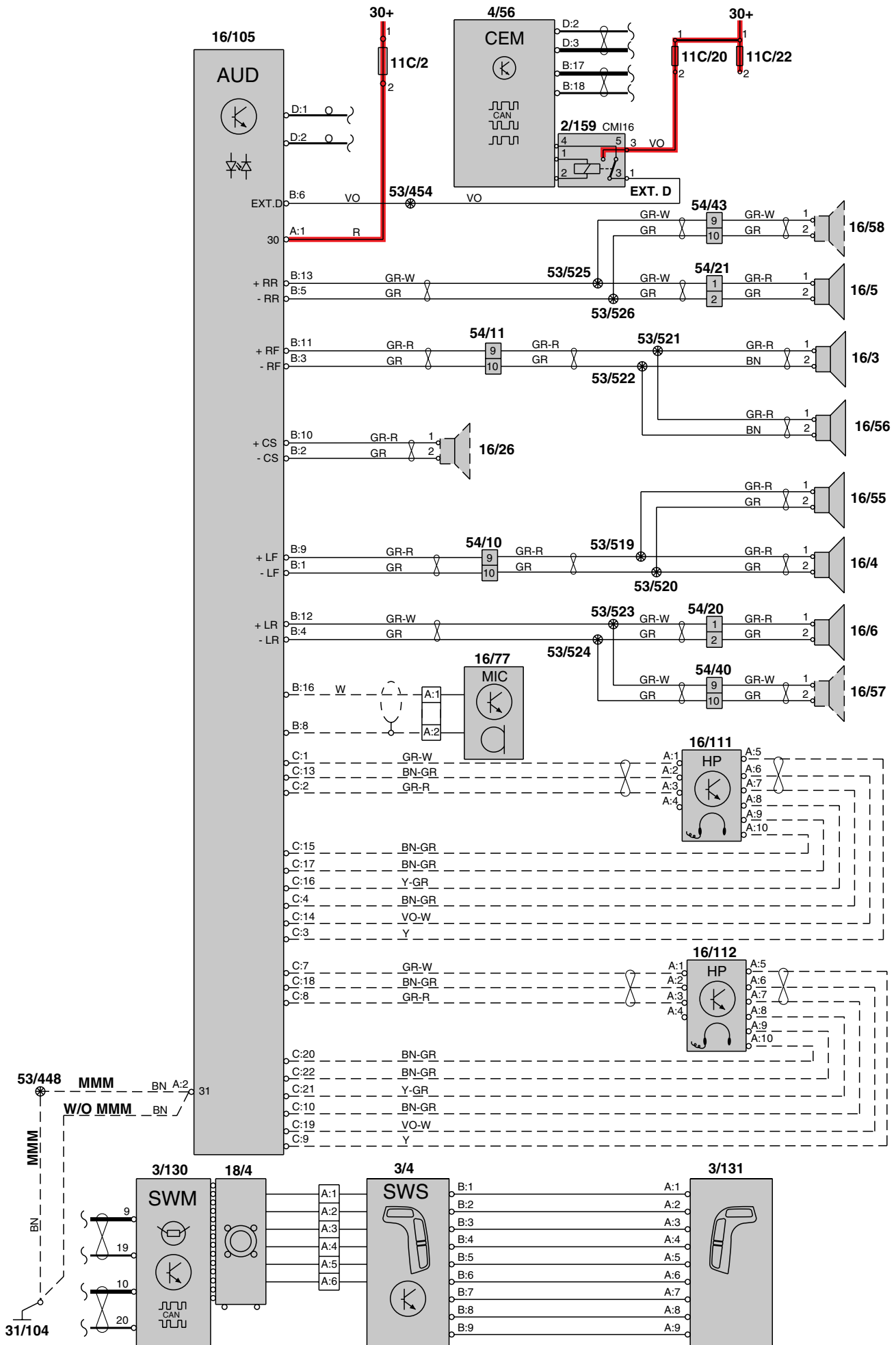


# Driver information module



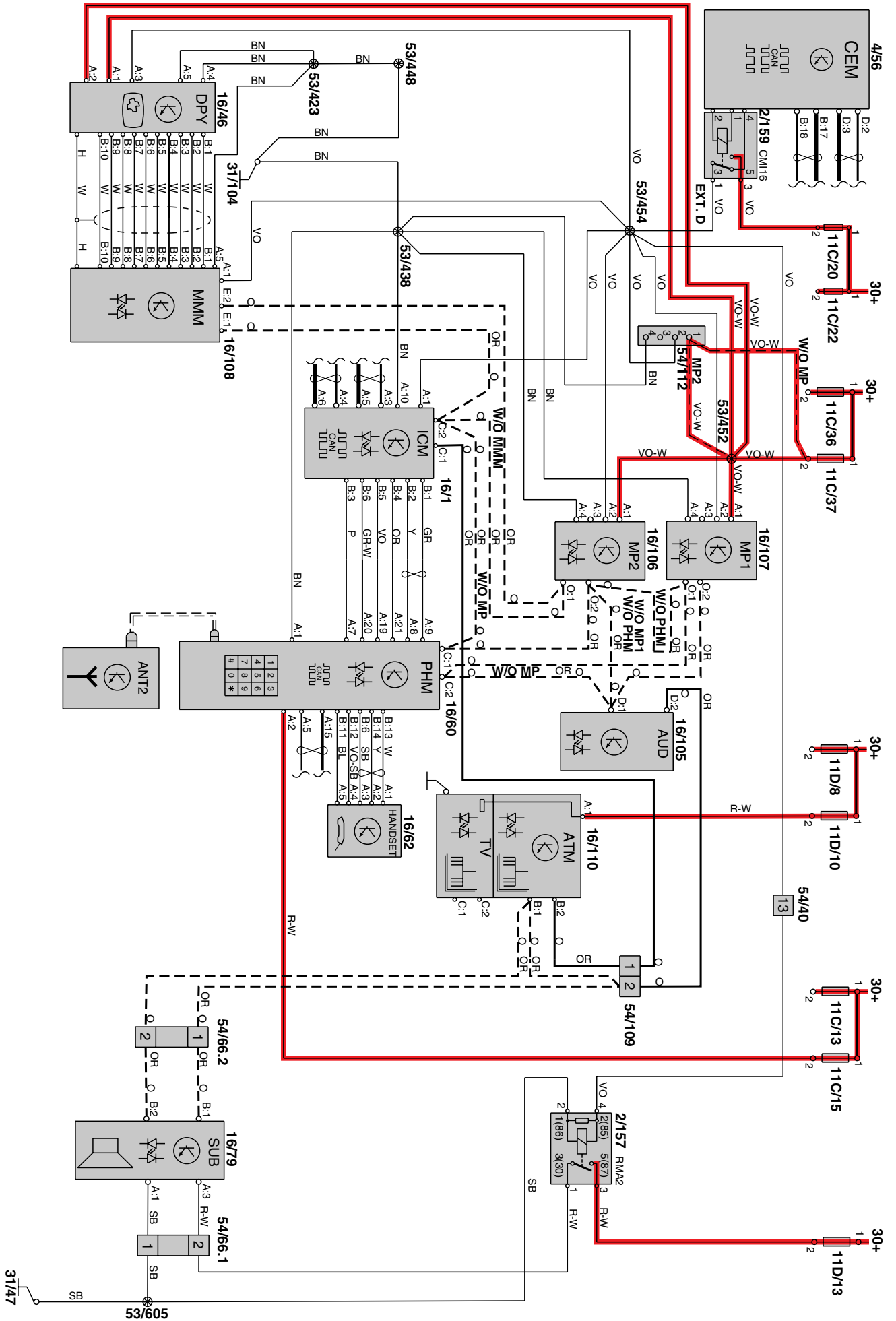
# Driver information module Bifuel



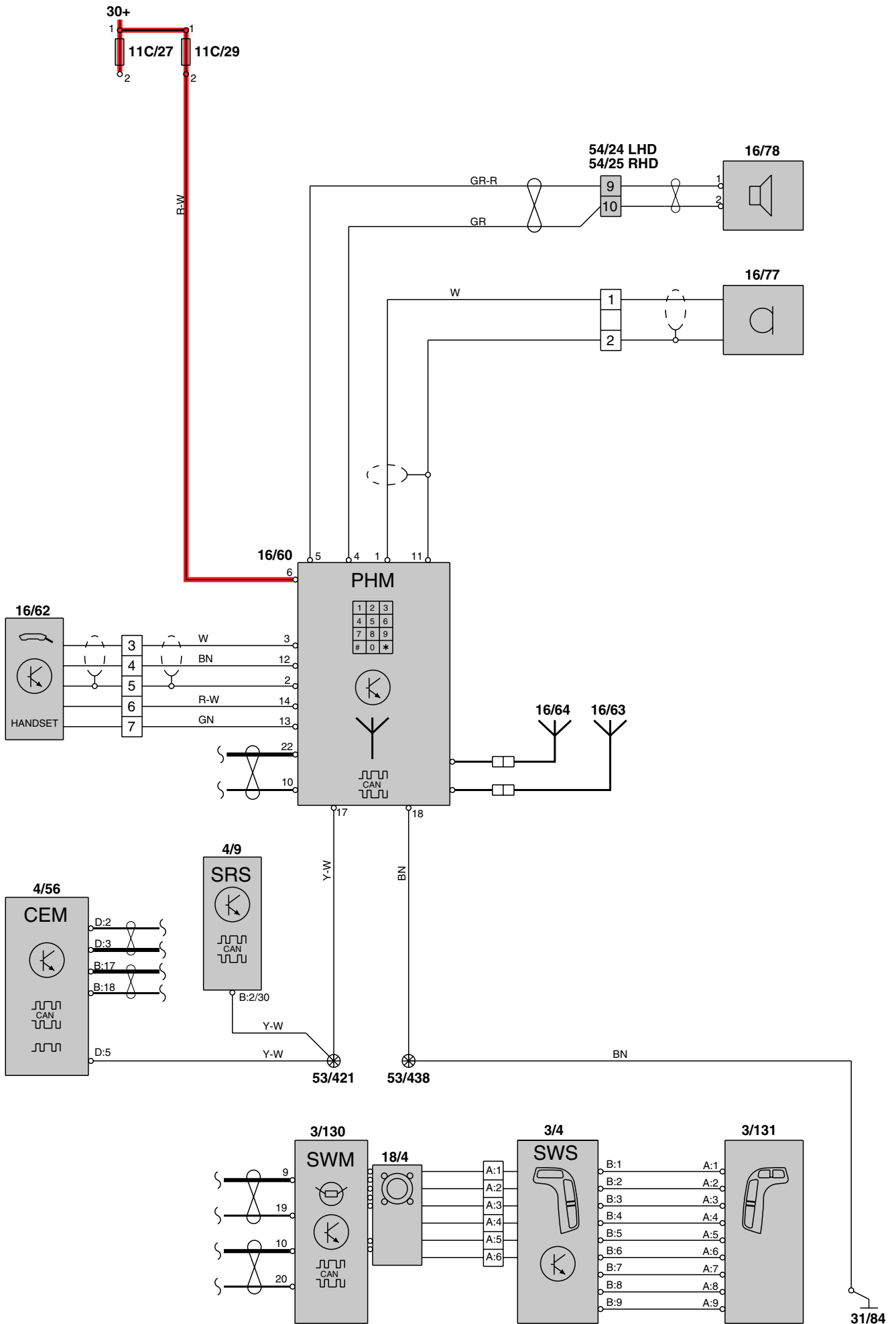




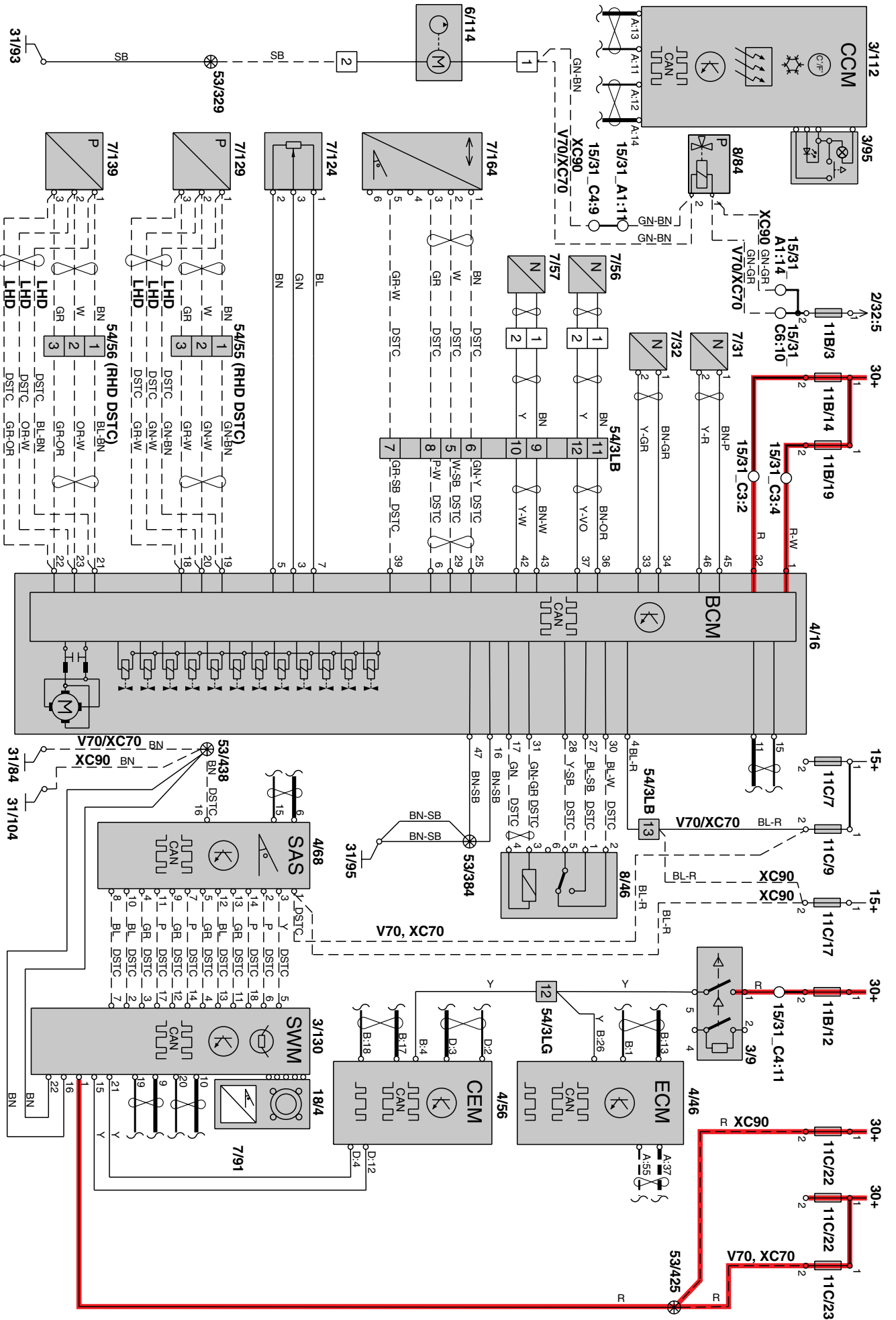
# Infotainment XC90



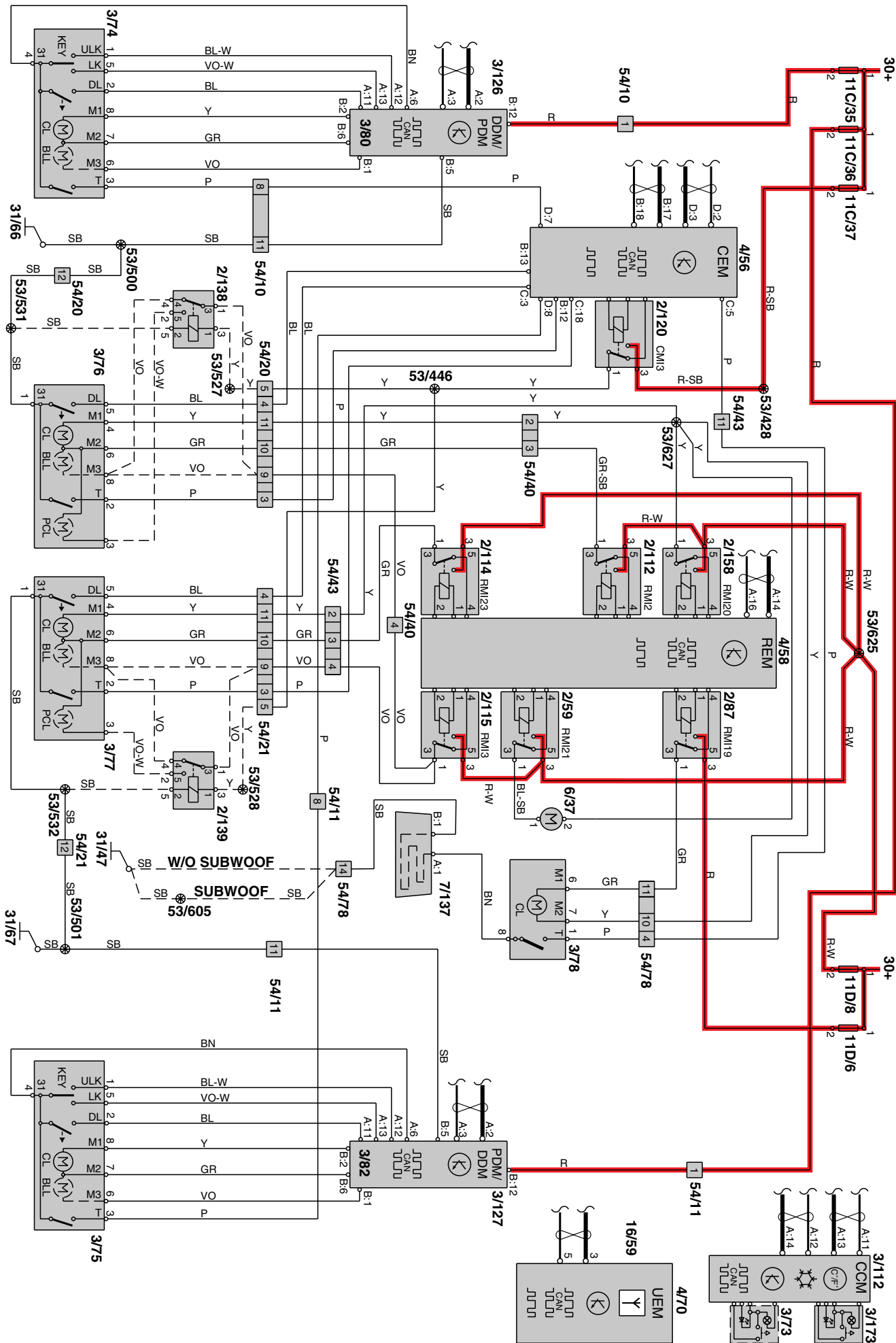
# Mobile telephone V70/XC70



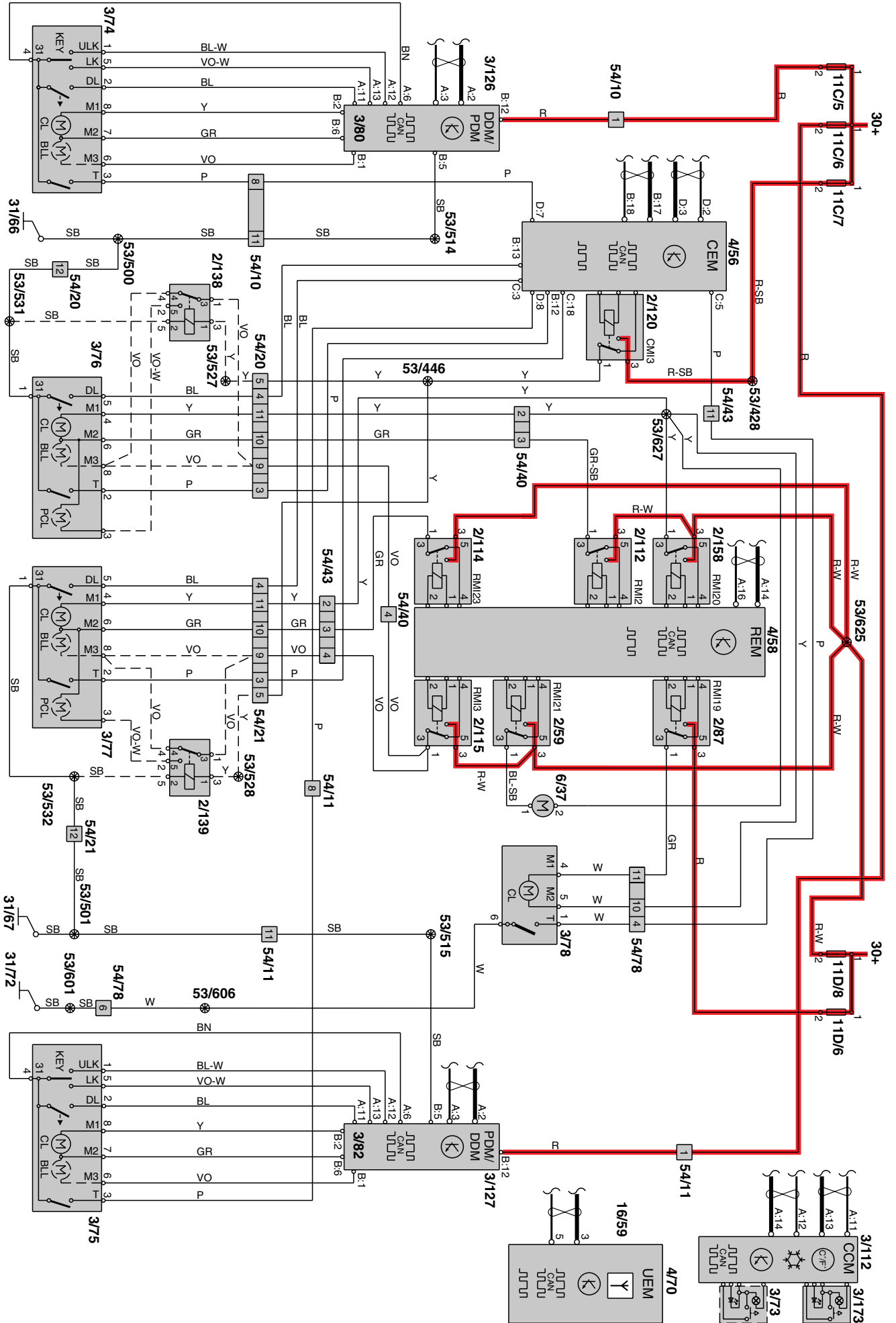
# Group 59 Brake Control Module (BCM)



# Group 83 Central locking system V70/XC70

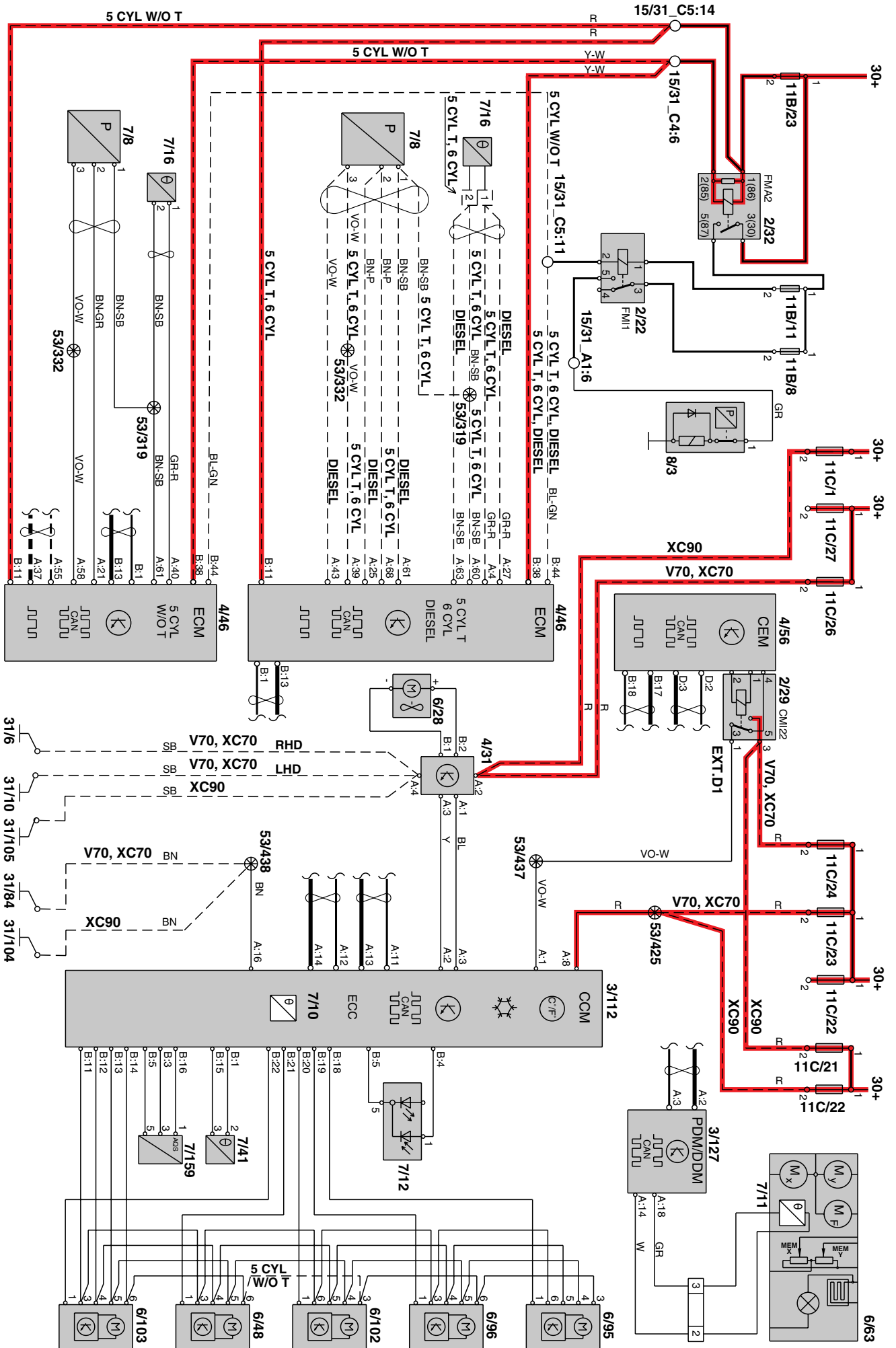


# Central locking system XC90

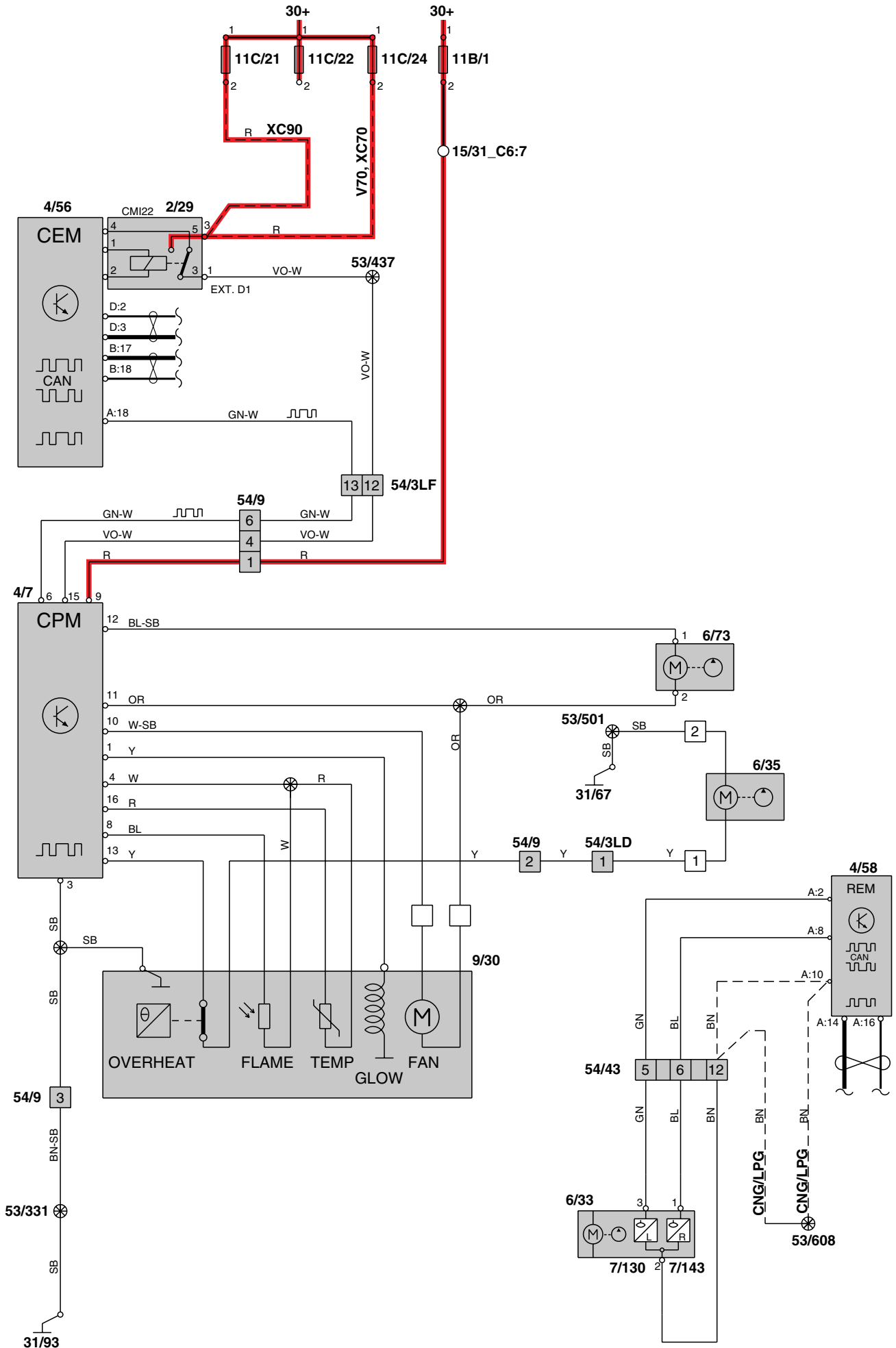




# Electronic Climate Control (ECC)



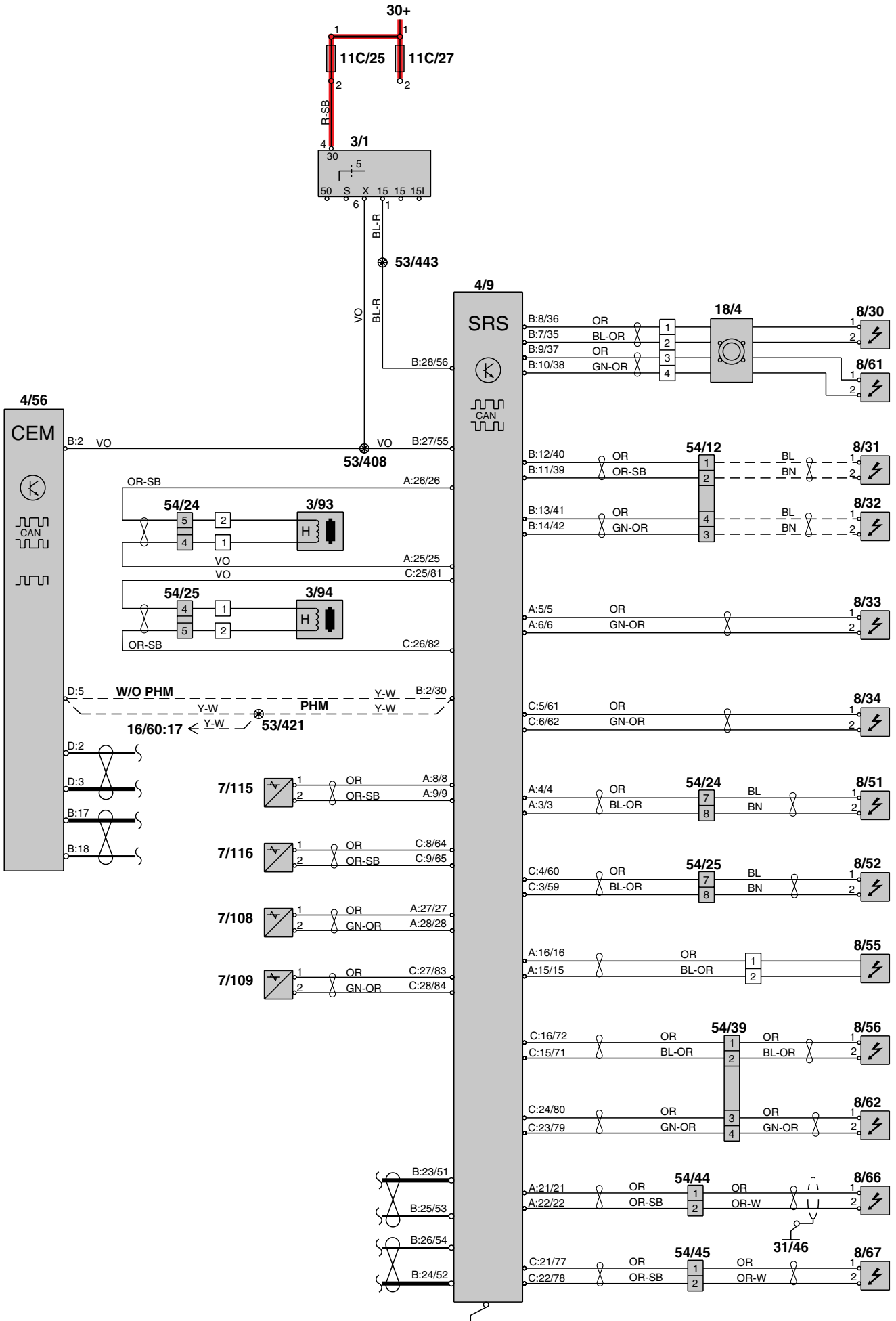
# Parking heater, auxiliary heater



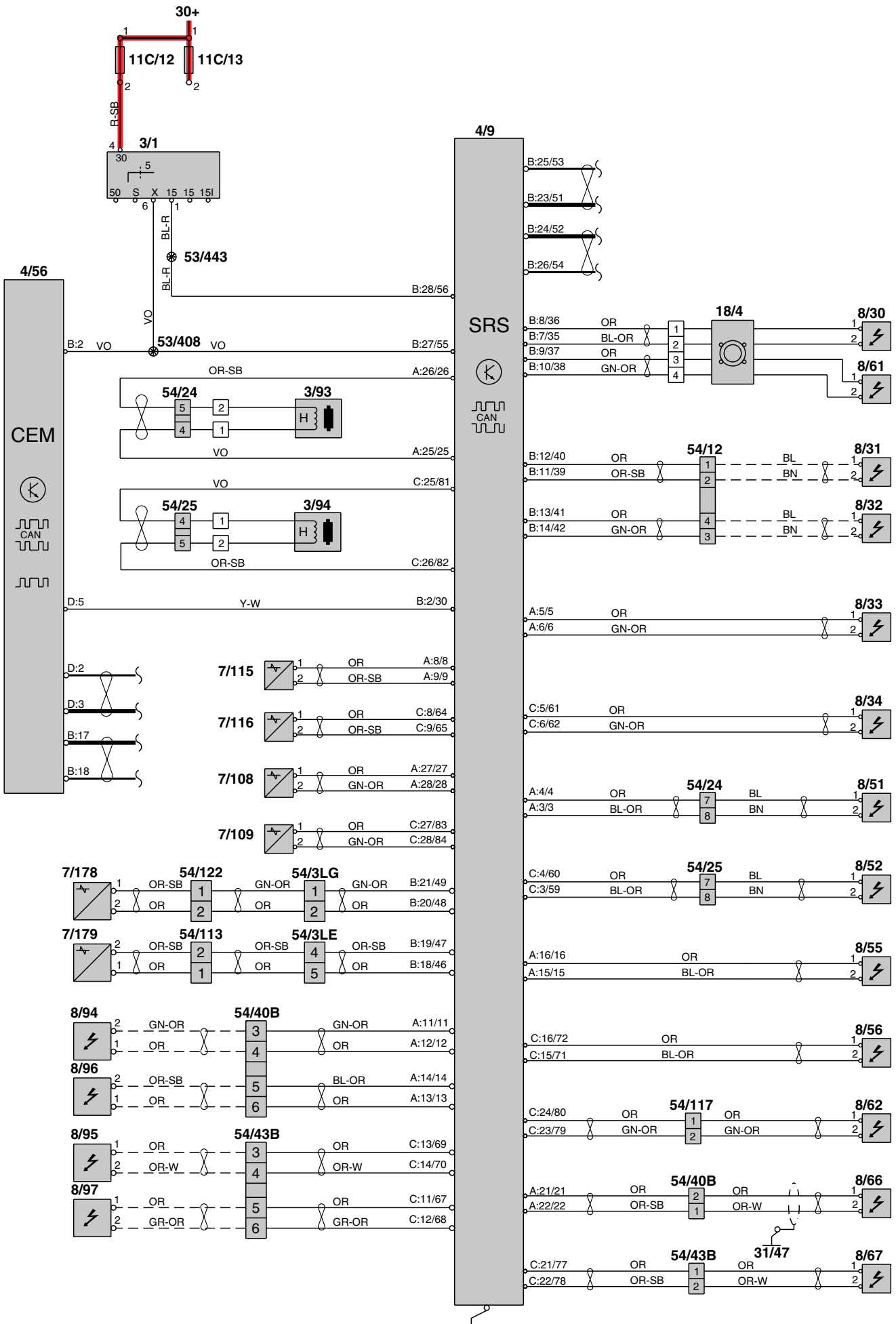


# Group 88

## SRS Supplemental Restraint System V70/XC70



# SRS Supplemental Restraint System XC90



# Connectors

54/43

54/43

14-pin light gray

No.	Passenger compartment harness		Cargo compartment harness			
1	-	-	-	-	-	
2	54/21:11	Connector	Y	53/627	Junction point	Y
3	54/21:10	Connector	GR	2/114:1	Unlocking relay, rear right	GR
4	54/21:9	Connector	VO	2/115:1	Relay, deadlock, rear doors	VO
5	6/33:3	Fuel pump	GN	4/58A:2	Rear Electronic Module (REM)	GN
6	6/33:1	Fuel pump	BL	4/58A:8	Rear Electronic Module (REM)	BL
7	20/34:2	Shunt, indicator CEM, right	GN-W	10/17B:1	Right rear lamp housing, V70	GN-W
				54/51:9	Connector, XC90	
8	-	-	-	-	-	-
9	53/525	Junction point	GR-W	16/58:1	Speaker, right-hand D-pillar	GR-W
				53/652	Junction point	
10	53/526	Junction point	GR	16/58:2	Speaker, right-hand D-pillar	GR
				53/653	Junction point	
11	4/56C:5	Central Electronic Module CEM	P	54/78:4	Connector	P
12	6/33:2	Fuel pump	BN	4/58A:10	Rear Electronic Module (REM)	BN
				53/608	Junction point	
13	4/56B:6	Central Electronic Module CEM	GN-Y	4/58A:4	Rear Electronic Module (REM)	GN-Y
14	-	-	-	-	-	-

**54/66.1**  
**2-pin gray**

	<b>Cargo compartment harness</b>			<b>Bass speaker harness</b>		
1	53/605	Junction point, XC90	SB	16/79A:1	Subwoofer Module (SUB), XC90	SB
2	2/157:1	Bass speaker system relay, XC90	R-W	16/79A:3	Subwoofer Module (SUB), XC90	RW

**54/66.2**  
**2-pin black**

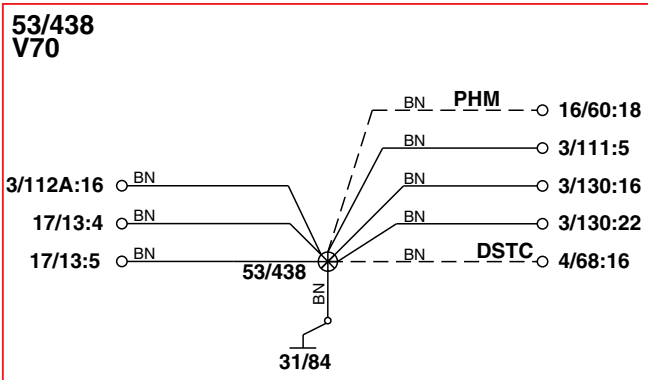
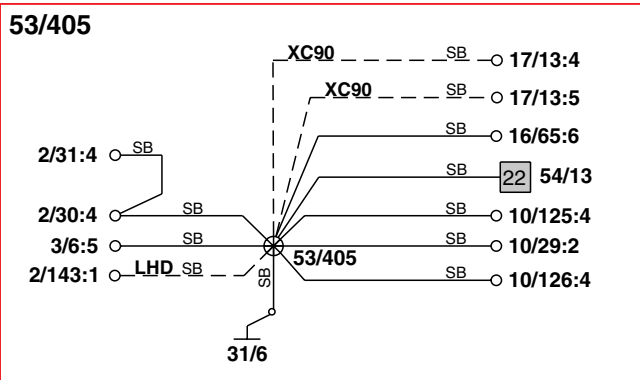
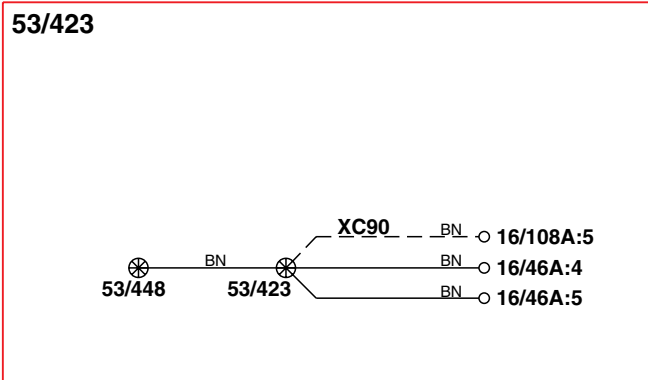
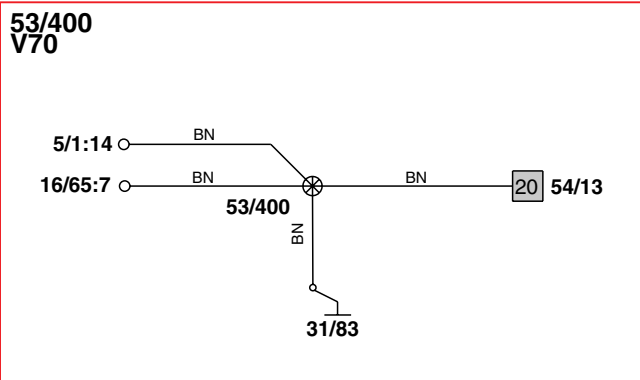
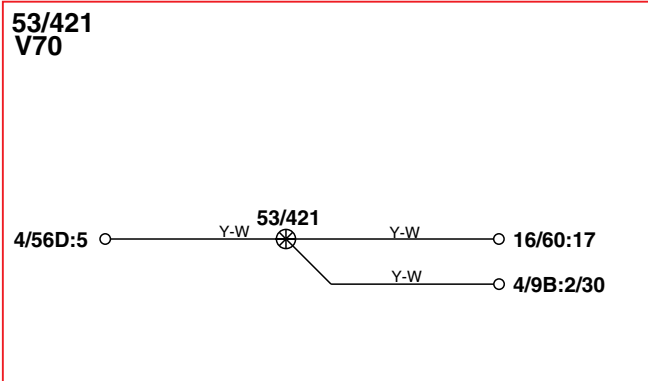
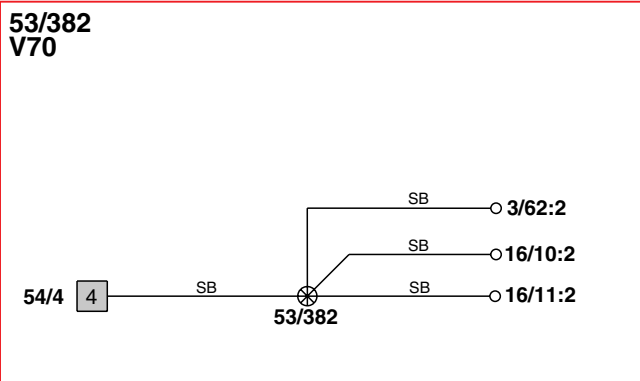
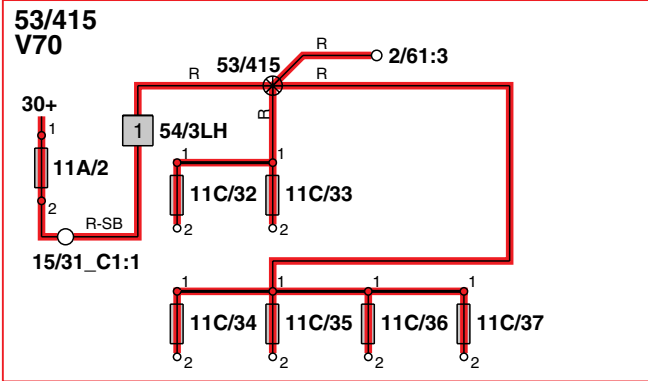
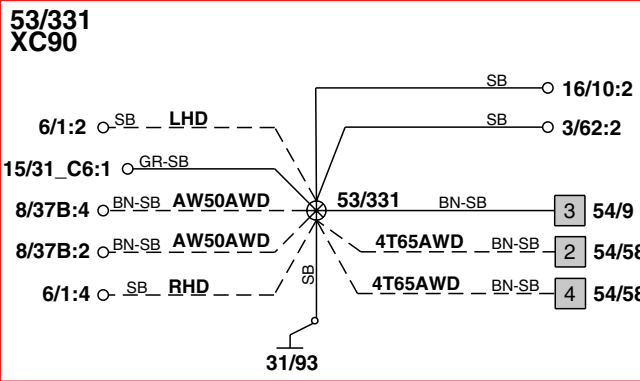
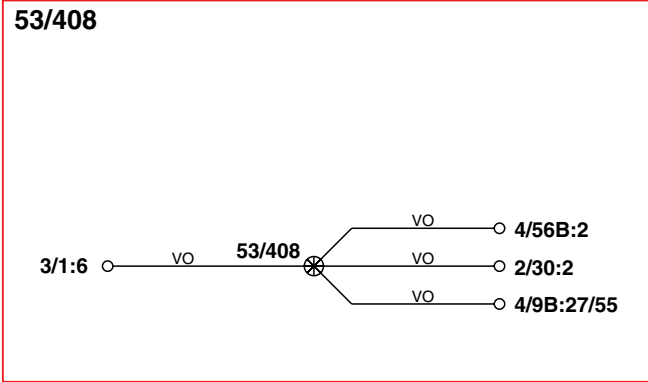
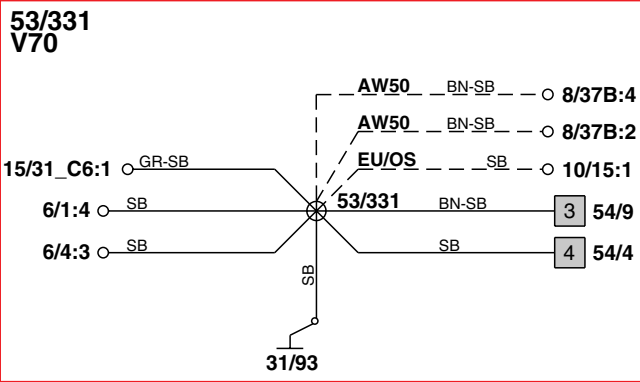
	<b>Cargo compartment harness</b>			<b>Bass speaker harness</b>		
1	54/109:2	Connector, XC90	OR	16/79B:1	Subwoofer Module (SUB), XC90	OR
2	16/110B:1	Antenna control module ATM, XC90	OR	16/79B:2	Subwoofer Module (SUB), XC90	OR

**54/109**  
**2-pin black**

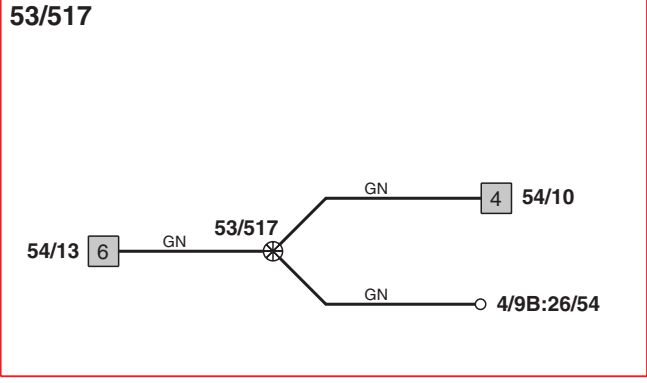
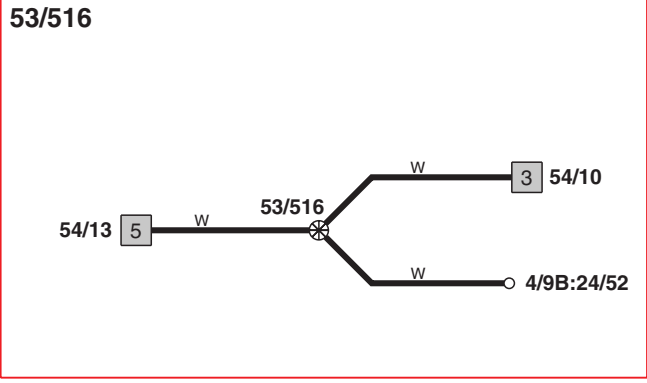
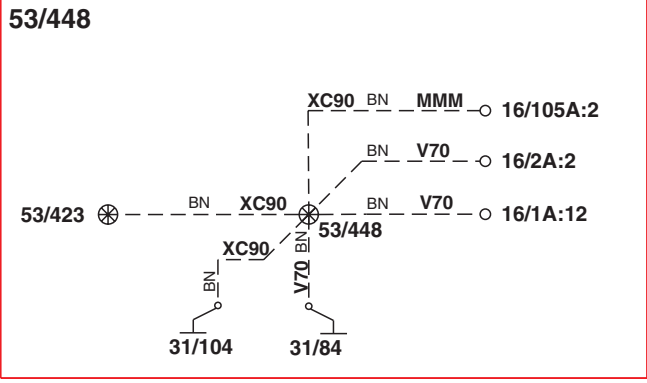
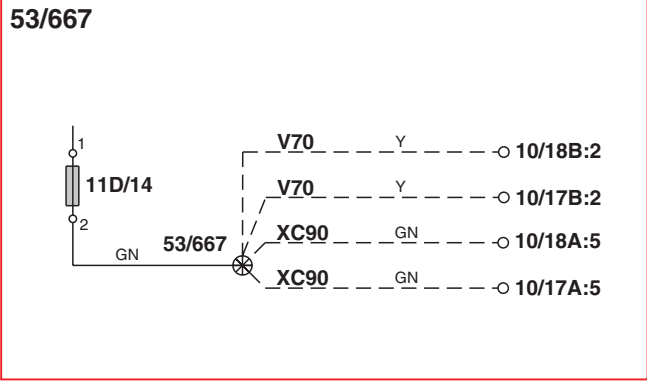
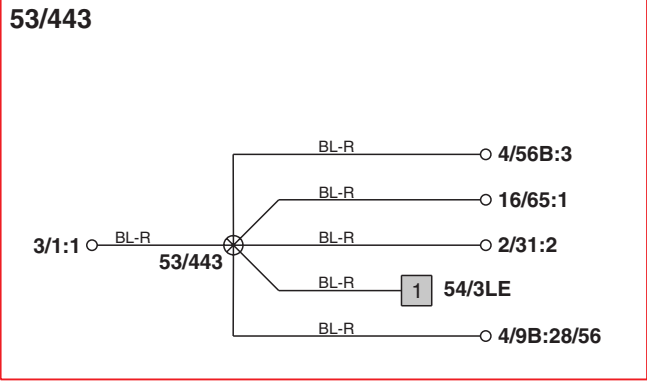
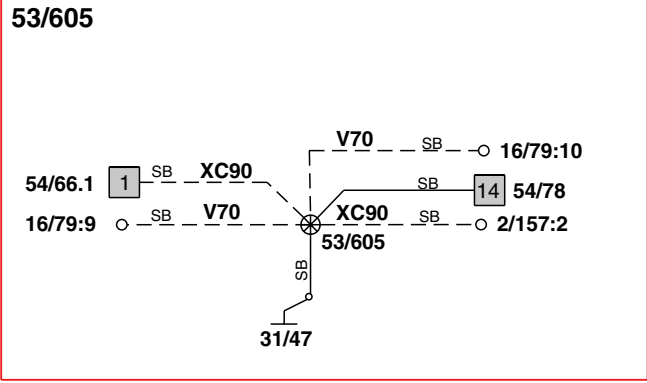
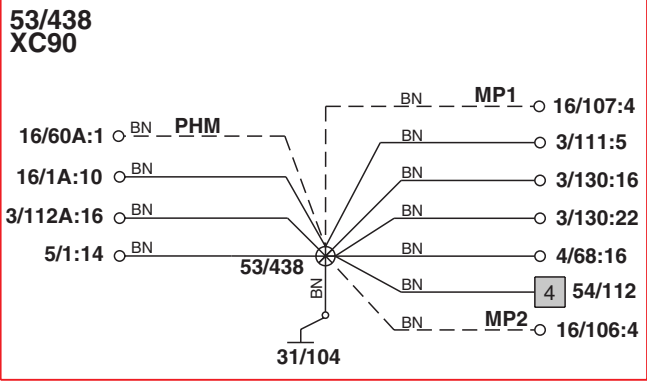
	<b>Cargo compartment harness</b>			<b>Passenger compartment harness</b>		
1	16/110B:2	Antenna control module ATM, XC90	OR	16/1C:1	Infotainment Control Module (ICM), XC90	OR
2	16/110B:1 54/66.2:1	Antenna control module ATM, XC90 Connector	OR	16/105D:2	Audio module (AUD)	OR

# Junction points

## 53/331 - 53/438 V70, XC70

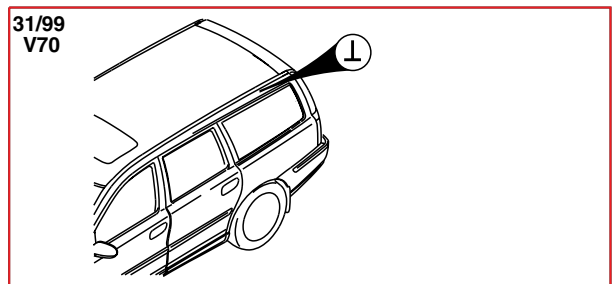
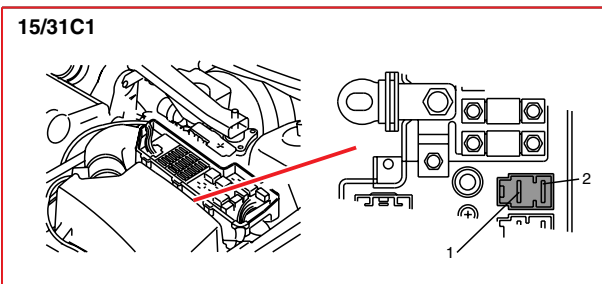
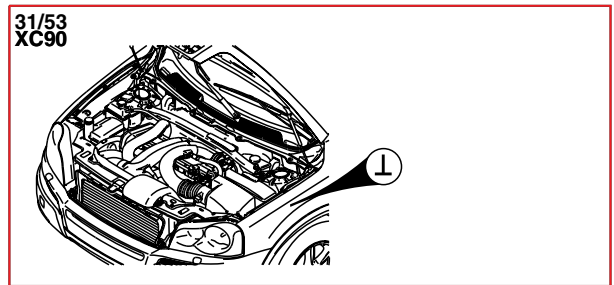
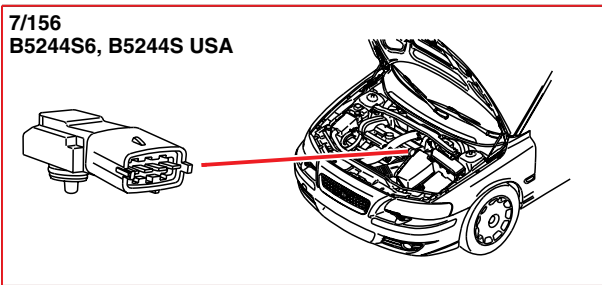
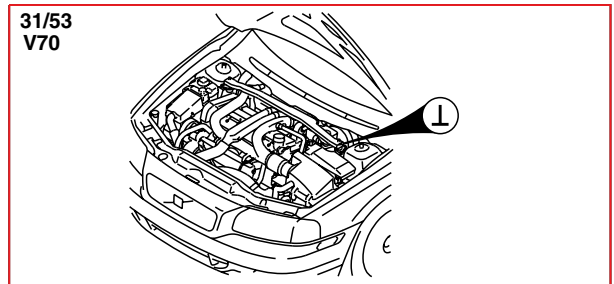
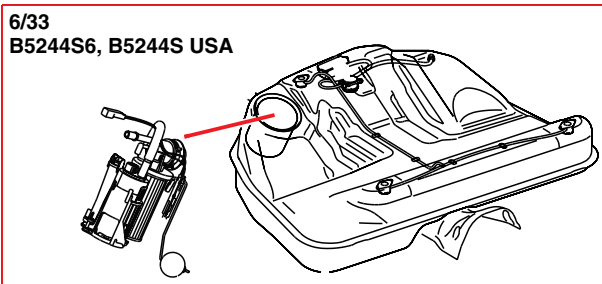
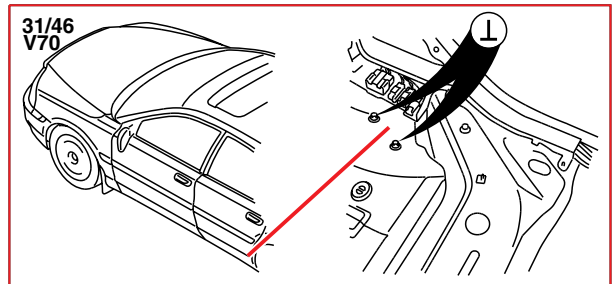
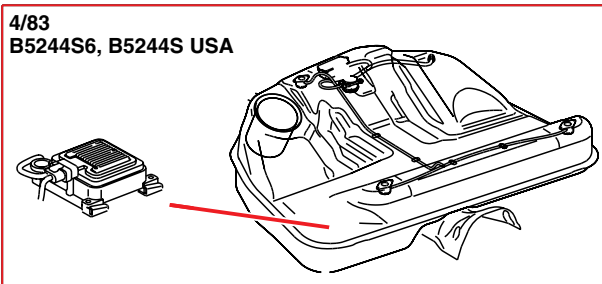
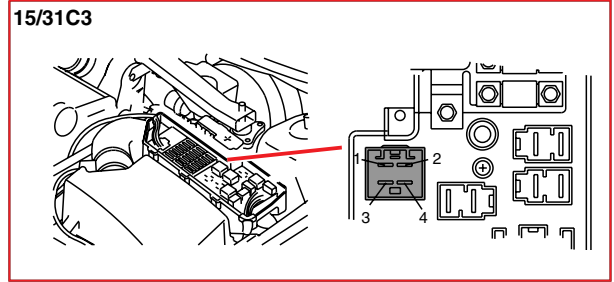
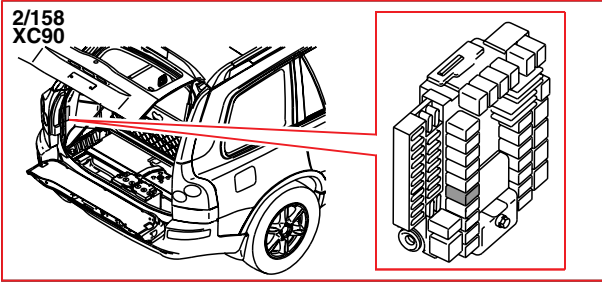
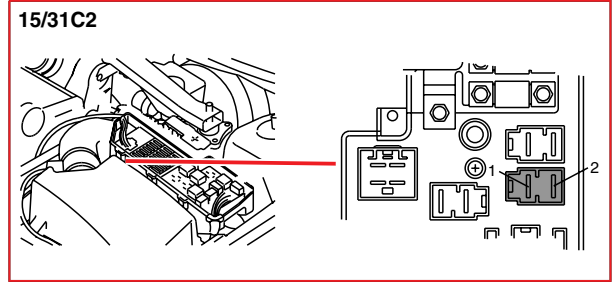
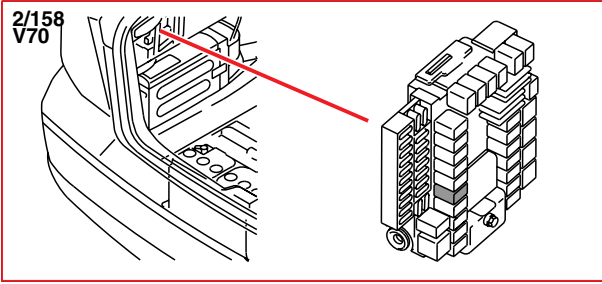


# Junction points 53/438 XC90 - 53/667



# Component illustrations

## 2/158 - 31/99



## A

Abbreviations .....	3
Audio XC90 .....	45
Auxiliary heater .....	53
Auxiliary light wiring XC90 .....	33

## B

Beam length adjustment XC90 .....	36
Brake control module (BCM) .....	48
Brake lights .....	34

## C

Central Electronic Module (CEM) V70/XC70 .....	16
Central Electronic Module (CEM) XC90 .....	18
Central locking system V70/XC70 .....	49
Central locking system XC90 .....	50
Component illustrations .....	60
Contents .....	1

## D

Data communication V70/XC70 .....	24
Data communication XC90 .....	26
Daytime running lights relay, XC90 .....	33
Diagnostics system .....	41
Driver information module .....	43
Driver information module Bifuel .....	44

## E

Electrical distribution overview V70 .....	6
Electrical distribution overview XC90 .....	8
Electronic Climate Control (ECC) .....	52
Electronic immobilizer .....	40
Engine management system B5244S USA .....	28
Engine management system B5244S6 .....	28

## F

Fog lights .....	32
------------------	----

## G

Ground connections .....	11
--------------------------	----

## H

High and low beam XC90 .....	33
Horn .....	37

## I

Immobilizer .....	40
Infotainment XC90 .....	46

## J

Junction points .....	58
-----------------------	----

## L

License plate lighting XC90 .....	35
List of symbols .....	5

## M

Manual Climate Control (MCC) .....	51
Mobile telephone V70/XC70 .....	47

## P

Parking heater .....	53
Parking lights XC90 .....	35
Power supply .....	30

## R

Rain sensor .....	39
Rear Electronic Module (REM) V70/XC70 .....	20
Rear Electronic Module (REM) XC90 .....	22
Relays/shunts in the cargo compartment .....	10

## S

Seat belt reminder .....	42
SRS .....	54, 55
SRS, Warnings and recommendations .....	0
Starting system .....	31
Supplemental Restraint System V70/XC70 .....	54
Supplemental Restraint System XC90 .....	55

## T

Tail lights XC90 .....	35
------------------------	----

## W

Wipers/washers, windshield .....	38
----------------------------------	----



## Cars with SRS (Airbag)/SIPS-bag/IC (Inflatable curtain)

### **Warning!**

Vehicles equipped with SRS/SIPS bag/IC must be handled with extra care when making repairs. This avoids:

1. Personal injuries when performing repair work.
2. Damage or malfunction of the SRS/SIPS bag/IC system.

Work involving the SRS/SIPS bag/IC systems or other components in the vehicle that may affect the SRS/SIPS bag/IC systems must always be performed by an authorized Volvo workshop.

In case of doubt, consult the SRS and SIPS bag/IC service manual.

### **Is the vehicle equipped with SRS/SIPS bag/IC ?**

Vehicles with SRS are most easily recognized by the letters SRS in the center of the steering wheel. If the vehicle also has a passenger side airbag, the letters SRS are stamped on the dashboard above the glove compartment. SRS vehicles from 1993 and onward also have explosive seat belt tensioners. SIPS bags are only installed on SRS vehicles from 1995 and onward. SIPS bag decals are located on the windshield and seat compartment. Vehicles with IC can be recognized by the letters IC on the C/D panel (4 door) or the B panel (5 door).

### **General recommendations**

- Be especially careful when working on or around SRS, SIPS, and IC components.
- Make sure that no wires are pinched, frayed, or pierced.
- Never install accessories by the sensors.
- Where applicable, work on the steering wheel, steering shaft, or steering gear must be done in accordance with the methods in the SRS section of VADIS.
- Certain components of the aforementioned systems must be grounded while working. Read the appropriate sections in VADIS.
- Install no accessories in the areas between the A and B posts, the B and C posts, and the C and D posts.

### **Test terminal**

Data link connector in the passenger compartment.

### **Changes introduced up to October 2002**

Any changes made to the vehicles after this date are not included in the manual. If necessary refer to service bulletins.

Volvo models are sold in versions adapted for different markets. These adaptations depend on factors such as legal requirements, taxation, and market demands.

This manual may therefore include illustrations and text that do not apply to the vehicles in your country.

# List of components

1/1	Battery	3/4	Cruise control switch SWS
2/14	Relay, glow plug unit	3/6	Hazard warning flasher switch
2/16	Relay, intermittent rear window wiping on/off	3/9	Brake light contact
2/17	Horn relay	3/10	Reversing light contact
2/22	Relay, climate control system	3/37	Horn contact
2/23	Fuel pump relay	3/47	Parking brake contact
2/29	Relay, extended D1 feed	3/59	Control, beam adjustment
2/30	X feed overload relay	3/60	Auxiliary light switch
2/31	15-feed overload relay	3/62	Hood alarm contact
2/32	Engine management system main relay	3/73	Power Child Lock (PCL) switch
2/33	Fuel system relay, V70	3/74	Left-hand front door lock unit
2/33	High pressure wash relay, XC90	3/75	Right-hand front door lock unit
2/34	Fog light relay, front	3/76	Left-hand rear door lock unit
2/35	Starter motor relay	3/77	Right-hand rear door lock unit
2/49	Relay, rear fog light	3/78	Tailgate lock unit
2/52	Relay, 15l feed, rear	3/80	Switch, left-hand central lock
2/59	Unlocking relay, fuel filler flap	3/82	Switch, right-hand central lock
2/61	Relay, parking light	3/85	Rear left door power window switch
2/62	Low beam/Bi-Xenon relay, V70	3/86	Rear right door power window switch
2/62	Low beam relay XC90	3/93	Left seatbelt latch switch
2/63	High beam relay	3/94	Right seatbelt latch switch
2/70	Relay, climate control system, rear	3/95	Spin control switch
2/72	Relay, rear window wiper	3/111	Light Switch Module (LSM)
2/79	Brake light relay	3/112	Climate Control Module (CCM)
2/80	Reversing light relay	3/117	Ceiling light switch unit
2/82	Relay, heated rear window	3/126	Control module front left door DDM/PDM
2/83	Trailer fog light relay	3/127	Control module front right door PDM/DDM
2/87	Unlocking relay, tailgate	3/130	Steering Wheel Module SWM
2/90	Relay, windshield wiper, low/high speed	3/131	Switch, audio/mobile phone
2/91	Relay, intermittent windshield wiper	3/155	Automatic transmission program selector
2/92	Relay, windshield washer motor	3/156	Gear Selector Module (GSM)
2/93	Relay, rear window washer motor	3/173	Switch, tailgate private lock
2/101	Relay for extended D2 feed, automatic transmission	4/7	Combustion Preheater Module CPM
2/112	Unlocking relay, left-hand rear	4/9	Control module, Supplemental Restraint System (SRS)
2/114	Unlocking relay, right-hand rear	4/16	Brake Control Module (BCM)
2/115	Relay, deadlock, rear doors	4/28	Transmission Control Module (TCM)
2/116	Rear power window up relay	4/31	Fan control module
2/117	Right rear power window up relay	4/33	Sunroof control module SRM
2/118	Rear power window down relay	4/46	Engine Control Module ECM
2/119	Right rear power window down relay	4/50	Electronic Throttle Module ETM
2/120	Relay - power windows, power child lock rear door	4/52	Power driver seat module PSM
2/138	Deadlock relay, left-hand rear door	4/56	Central Electronic Module CEM
2/139	Deadlock relay, right-hand rear door	4/58	Rear Electronic Module (REM)
2/140	Relay CNG/LPG	4/68	Steering Angle Sensor module SAS
2/142	Relay, preheated fuel filter	4/70	Upper Electronic Module UEM
2/143	Relay, fuel leakage control	4/71	Cooling fan control module
2/152	Relay, daytime running lights	4/78	Accessory Electronic Module AEM
2/157	Bass speaker system relay	4/82	Differential Electronic Module (DEM)
2/158	Locking relay, rear doors, filler flap	4/83	Fuel pump control module
2/159	Infotainment relay	4/86	Parking Assistance Module (PAM)
3/1	Ignition switch	4/99	Electronic power steering control module

5/1	Driver Information Module (DIM)	7/116	Right-hand front side impact sensor
6/1	Windshield wiper motor	7/120	Rear left angle sensor
6/2	Windshield washer pump	7/122	Mass Movement Sensor (MMS), front
6/3	Right-hand headlight wiper motor	7/123	Clutch pedal sensor
6/4	Left-hand headlight wiper motor	7/124	Brake pedal sensor
6/25	Starter motor	7/129	Brake pressure sensor 2
6/26	Generator	7/130	Fuel level sensor, injector side
6/28	Motor, passenger compartment fan	7/135	Glass breakage sensor, left-hand
6/30	Washer pump, rear window	7/136	Glass breakage sensor, right-hand
6/32	Rear window wiper motor	7/137	Glass breakage sensor, tailgate
6/33	Fuel pump	7/139	Brake pressure sensor 1
6/35	Fuel pump, auxiliary heater	7/143	Fuel level sensor, pump side
6/37	Lock motor, fuel filler flap	7/149	Rain Sensor Module (RSM)
6/38	Left-hand headlight level adjustment motor	7/153	Sensor, fuel level LPG
6/39	Right-hand headlight adjustment motor	7/156	Pressure and temperature sensor CNG
6/44	Cooling fan, electrics box, engine compartment	7/156	Fuel pressure and temperature sensor B5244S6, B5244S USA
6/48	Damper motor, recirculation	7/158	Mass Movement Sensor (MMS), rear
6/62	Left-hand power door mirror	7/159	Air quality sensor
6/63	Right-hand power door mirror	7/164	Sensor module DSTC
6/67	Pump, fuel leakage control	7/172	Position sensor, camshaft, intake side
6/69	Damper motor, ventilation/floor/defroster	7/173	Position sensor, camshaft, exhaust side
6/73	Coolant pump, auxiliary heater	7/175	Passenger seat weight sensor
6/76	Climate control system, rear	7/178	Front impact sensor 1
6/95	Damper motor, temperature, left-hand side	7/179	Front impact sensor 2
6/96	Damper motor, temperature, right-hand side		
6/102	Damper motor, defroster	8/3	Electromagnetic clutch, climate control system
6/103	Damper motor, floor/ventilation	8/6-11	Injectors
6/104	High pressure wash, headlights, XC90	8/30	Driver side airbag igniter
6/105	Fuel distributor, gas	8/31	Passenger side airbag igniter
6/114	Vacuum pump	8/32	Igniter, passenger side airbag stage 2
6/120	Engine throttle body	8/33	Front left belt tensioner igniter
		8/34	Front right seat belt tensioner igniter
7/4	Brake fluid level sensor	8/36	Shift lock solenoid
7/5	Washer fluid level sensor	8/37	Automatic transmission
7/6	Oil pressure sensor	8/46	DSTC activation module
7/8	Pressure sensor, climate control system	8/51	Front left side airbag igniter
7/10	Interior temperature sensor	8/52	Front right side airbag igniter
7/11	Outside temperature sensor	8/55	Rear left belt tensioner igniter
7/12	Solar sensor, indicator alarm and electronic immobilizer	8/56	Rear right belt tensioner igniter
7/16	Coolant temperature sensor	8/61	Driver side airbag igniter step 2
7/17	Mass airflow sensor MAF	8/62	Belt tensioner igniter, center rear seat
7/24	Front knock sensor	8/66	Left-hand inflatable curtain igniter
7/25	Impulse sensor	8/67	Right-hand inflatable curtain igniter
7/31	Left-hand front ABS sensor	8/76	Gas tank valve
7/32	Right-hand front ABS sensor	8/79	Valve LPG
7/41	Temperature sensor, evaporator	8/84	Switch, vacuum pump
7/51	Accelerator pedal sensor	8/85	Thermostatic switch, fuel filter
7/56	Left-hand rear ABS sensor	8/88	Solenoid, rear CNG fuel tank
7/57	Right-hand rear ABS sensor	8/89	Solenoid, fuel tank CNG front left
7/73	Coolant level sensor	8/90	Solenoid, fuel tank CNG front right
7/81	Pressure sensor, intake manifold	8/94	Left-hand belt tensioner igniter, third row of seats
7/91	Steering angle sensor	8/95	Right-hand belt tensioner igniter, third row of seats
7/100	Inclination Sensor Module (ISM)	8/96	Left-hand inflatable curtain igniter, third row of seats
7/108	Left-hand rear side impact sensor	8/97	Right-hand inflatable curtain igniter, third row of seats
7/109	Right-hand rear side impact sensor		
7/115	Left-hand front side impact sensor		

9/1	Front 12V outlet	16/6	Left-hand rear door speaker
9/2	Heated rear window	16/10	Horn 1
9/12	Left seat heater	16/11	Horn 2
9/13	Right seat heater	16/26	Central dashboard speaker
9/25	Rear 12V outlet	16/35	Siren Control Module (SCM)
9/30	Auxiliary heater	16/45	Road Traffic Information (RTI)
9/32	PTC resistor - air preheating	16/46	RTI display, V70
9/38	Electrically heated fuel filter	16/46	Multimedia display, XC90
10/1	Left-hand front lamp housing	16/55	Left-hand front tweeter
10/2	Right-hand front lamp housing	16/56	Right-hand front tweeter
10/3	License plate lighting	16/57	Speaker, left-hand D-pillar
10/5	Front left fog light	16/58	Speaker, right-hand D-pillar
10/6	Front right fog light	16/59	Antenna, remote control
10/11	Front left parking light	16/60	Phone Module (PHM)
10/12	Front right parking light	16/62	Hand unit, mobile phone
10/15	Direction indicator, left front fender, V70	16/63	GPS antenna, mobile telephone
10/15	Direction indicator, left front door, XC90	16/64	Antenna, mobile telephone
10/16	Direction indicator, right front fender, V70	16/65	Antenna ring/ignition switch lighting
10/16	Direction indicator, right front door, XC90	16/77	Microphone, mobile telephone
10/17	Lamp housing, right-hand tail light	16/78	Speaker, mobile telephone
10/18	Lamp housing, left-hand tail light	16/79	Bass speaker, V70
10/19	Auxiliary brake light	16/79	Subwoofer Module (SUB), XC90
10/25	Ceiling light, cargo compartment	16/105	Audio module (AUD)
10/29	Glove compartment lighting	16/106	CD player, MP2
10/43	Right-hand brake light	16/107	MD player, MP1
10/44	Right-hand tail light lamp	16/108	Multimedia module (MMM)
10/46	Fog light, right rear	16/110	Antenna control module (ATM)
10/50	Left-hand brake light	16/111	Socket, rear left headphones
10/51	Left-hand tail light lamp	16/112	Socket, rear right headphones
10/53	Fog light, left rear	17/13	Data link connector
10/64	Right-hand high beam	17/17	Jump start connection
10/66	Right-hand low beam	17/19	12V outlet, cargo compartment
10/68	Left-hand high beam	18/4	Contact reel
10/70	Left-hand low beam	20/3-8	Spark plug and ignition coil
10/114	Left-hand vanity mirror lighting	20/16	Capacitor
10/115	Right-hand vanity mirror lighting	20/27	Shunt, low beam CEM
10/125	Left-hand front courtesy lighting	20/28	Shunt, position/parking/tail lights (REM)
10/126	Right-hand front courtesy lighting	20/29	Shunt, fog light REM
10/150	Rear reading light	20/31	Shunt, brake light REM
10/173	Cargo compartment lighting, tailgate	20/32	Shunt, indicator CEM, left
11A/no.	Main fuses in engine compartment fuse box	20/33	Shunt, position/parking/tail lights (REM)
11B/no.	Fuses in engine compartment fuse box	20/34	Shunt, indicator CEM, right
11C/no.	Fuses in passenger compartment fuse box	20/39	Shunt, cargo compartment 12V outlet
11D/no.	Fuses in cargo compartment fuse box	31/no.	Ground connection
11E/no.	Main fuses at battery	53/no.	Junction point
15/30	Connecting rail to 15/31	54/no.	Connector
15/31	Engine compartment distribution box	A1	Connecting rail to 15/31
16/1	Audio Module (AUM), V70	C1-6	Connecting rails to 15/31
16/1	Infotainment Control Module (ICM), XC90		
16/2	Amplifier		
16/3	Right-hand front door speaker		
16/4	Left-hand front door speaker		
16/5	Right-hand rear door speaker		