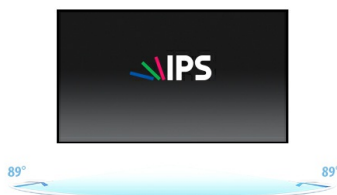




22.5" 1920 x 1200 monitor featuring IPS panel technology and a height adjustable stand

The demanding data and application heavy world needs a display that creates a more productive work place. With 1920 x 1200 resolution, the XUB2395WSU offers 11% more height with the same width as a Full HD display, which works much better for spreadsheets, word documents and browsing the Internet. The height adjustable stand with PIVOT function allows you to easily adjust the monitor position to your preferences and the IPS panel technology assures accurate and consistent colour reproduction with wide viewing angles.



IPS

IPS technology offers higher contrast, darker blacks and much better viewing angles than standard TN technology. The screen will look good no matter what angle you look at it.



Flicker-free + Blue light

The ultimate solution for the comfort and health of your eyes. Flicker-free monitors with the blue light reducer function substantially reduce the strain and fatigue caused by flickering and blue light emittance of regular monitors.

01 DISPLAY CHARACTERISTICS

Design	ultra slim
Diagonal	22.5", 57.15cm
Panel	IPS LED, matte finish
Native resolution	1920 x 1200 (2.3 megapixel WUXGA)
Aspect ratio	16:10
Brightness	250 cd/m ² typical
Static contrast	1000:1 typical
Advanced contrast	5M:1
Response time	4ms
Viewing zone	horizontal/vertical: 178°/178°, right/left: 89°/89°, up/down: 89°/89°
Colour support	1.07B 10bit (sRGB: 102%, NTSC: 72%)
Horizontal Sync	30 - 89KHz
Vertical Sync	50 - 76Hz
Viewable area W x H	488.2 x 297.2mm, 19.2 x 11.7"
Pixel pitch	0.254x0.248mm
Colour	matte, black

02 INTERFACES / CONNECTORS / CONTROLS

Signal input	VGA x1 (max. 1920 x 1200 @60Hz) HDMI x1 (max. 1920 x 1200 @60Hz) DisplayPort x1 (max. 1920 x 1200 @75Hz)
USB HUB	x2 (v.2.0)
HDCP	yes
Headphone connector	yes

03 FEATURES

Blue light reducer	yes
Flicker free	yes
FreeSync support	DisplayPort
OSD languages	EN, DE, FR, RU, JP, NL, PL
Control buttons	Auto, -/ECO, +/Volume/Blue Light Reducer, Menu, Power
User controls	luminance (contrast, brightness, i-Style Colour, ACR, ECO), image settings (pixel clock, phase, H. position, V. position, aspect ratio), colour settings (gamma, colour temp.), OSD (H. position, V. position, OSD timeout, language), extra (reset, DDC/CI, signal select, OD, audio input, opening logo, information)
Speakers	2 x 2W
Convenience	Kensington-lock™ prepared, DDC/CI, DDC2B, Mac OSX

04 MECHANICAL

Display position adjustments	height, pivot (rotation), swivel, tilt
Height adjustment	130mm
Rotation (PIVOT function)	90°
Swivel stand	90°; 45° left; 45° right
Tilt angle	22° up; 5° down
VESA mounting	100 x 100mm

05 ACCESSORIES INCLUDED

Cables	power, USB, DP
Other	quick start guide, safety guide

06 POWER MANAGEMENT

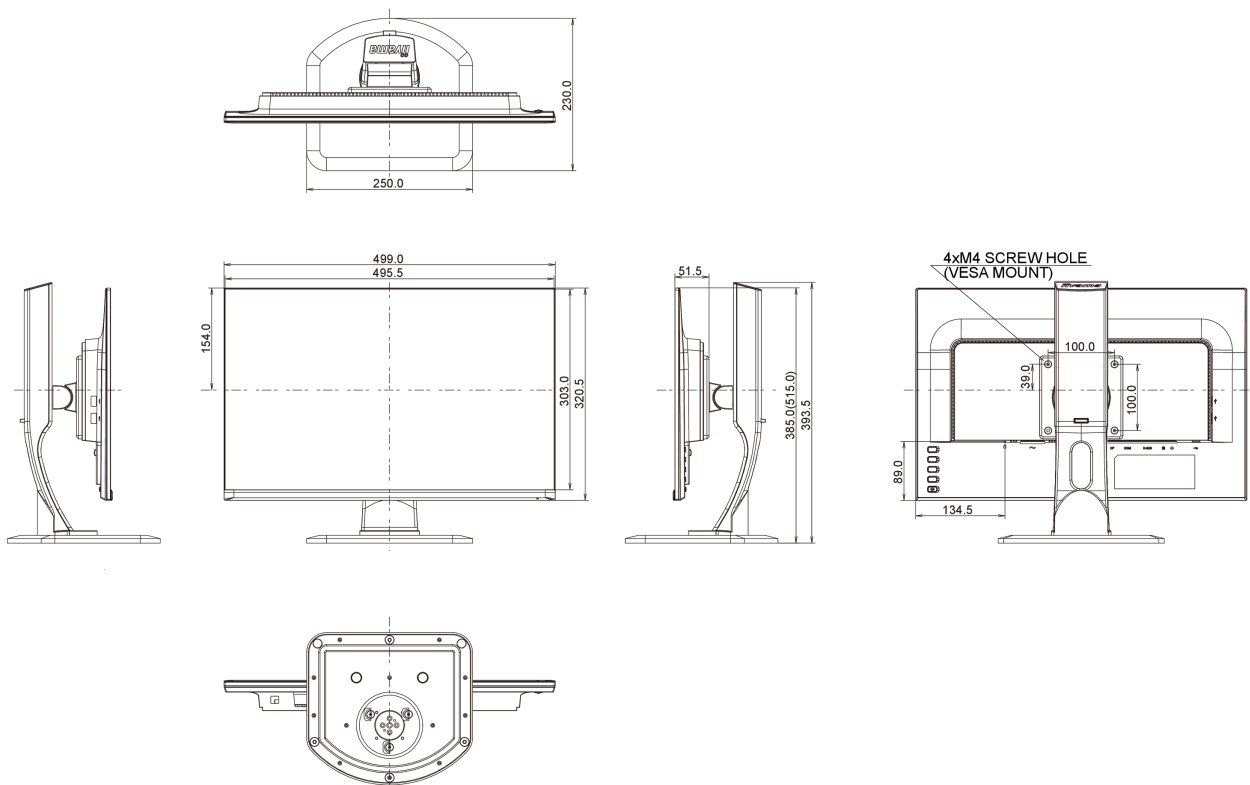
Power supply unit	internal
Power supply	AC 100 - 240V, 50/60Hz
Power usage	24W typical, 0.5W stand by

07 SUSTAINABILITY

Regulations	TCO, CE, TÜV-Bauart, RoHS support, Energy Star , WEEE, CU
Energy efficiency class	A
Other	REACH SVHC above 0.1%: Lead

08 DIMENSIONS / WEIGHT

Product dimensions W x H x D	499 x 385 (515) x 230mm
Weight (without box)	5.4kg
EAN code	4948570116386



09 EU ENERGY EFFICIENCY LABEL

Manufacturer	iiyama
Model	ProLite XUB2395WSU-B1

Energy efficiency class

A

Power in Standby

0.5W stand by

Resolution

1920 x 1200

All trademarks and registered trademarks acknowledged. E & O E. Specification subject to change without notice. All LCD's comply with ISO-9241-307:2008 in connection with pixel defects.

© IYAMA CORPORATION. ALL RIGHTS RESERVED