

THE VALUE OF PERFORMANCE.

**NORTHROP GRUMMAN**



## **M230**

**30mm BUSHMASTER® CHAIN GUN®**

**N**orthrop Grumman's Medium caliber cannons boast unrivaled reliability and effectiveness. When paired with our exceptional training services, certified accessories, and OEM warranties, Northrop Grumman delivers best-in-class value and a guarantee of optimal performance. No matter what your mission critical objectives are; combat, peacekeeping, or training; we offer the necessary services to maintain your weapons systems at a fully mission capable rating and the ability to consistently sustain and optimize your fleet.

### **Guns Segment Market**

The Gun Systems Market Segment exists to meet the ever changing demands of the warfighter through innovation in technology, program execution, lifecycle cost, and product delivery. The guns team is committed to becoming the undeniable global leader in medium caliber gun systems support, an agile competitor and respected worldwide as a preeminently responsive partner.

### **Facts At A Glance**

Can be enhanced for HAZRAD environments and used with percussion prime ammo

Effective, lightweight, and easy to maintain

Reliability of 22,000 mean rounds between failure

Fires M789 HEDP, M788 TP and NATO standard 30mm ADEN/DEFA ammunition

Capable of destroying targets out to 4,000 meters

Effective against light -armored vehicle targets

**northropgrumman.com**

©2018 Northrop Grumman Corporation.  
All Rights Reserved.

## Automatic Cannon

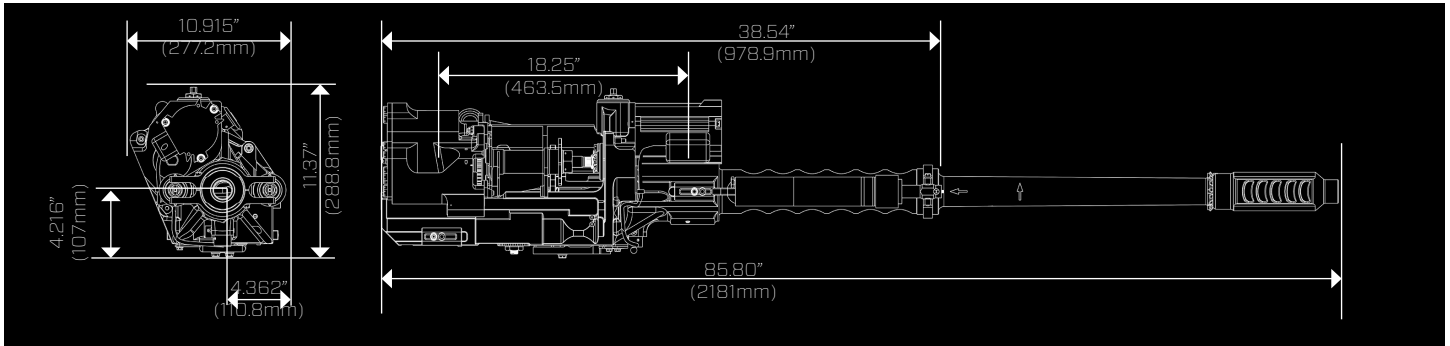
Bushmaster® Chain Gun® is a derivative of the combat proven M242 25mm Bushmaster automatic cannon. What's more, it incorporates all of the battle-proven features of the 25mm Bushmaster cannon, with significant system commonality for low-risk, proven performance features.

## Superior Design

Provides the Apache attack helicopter with firepower superiority and extreme reliability

- Leverage ammunition stacks for life cycle expenses

Extremely effective, lightweight and easy to maintain



## Characteristics

Recoil (30mm ammo)

Weight\*

Receiver

Recoil Adapter

Barrel

Total

Rate of Fire

Power Requirement

Clearing Method

Feed System,

Case Ejection

Ammunition

## Imperial

3,000 lb

88 lb

11 lb

32 lb

131 lb

625 ± 25 spm

3 phase, 115 VAC 400 Hz

Cook off safe / open bolt

Linkless

Side

30mm x 113mm

## Metric

12,334 N

40 kg

5.0 kg

14.5 kg

59.5 kg