

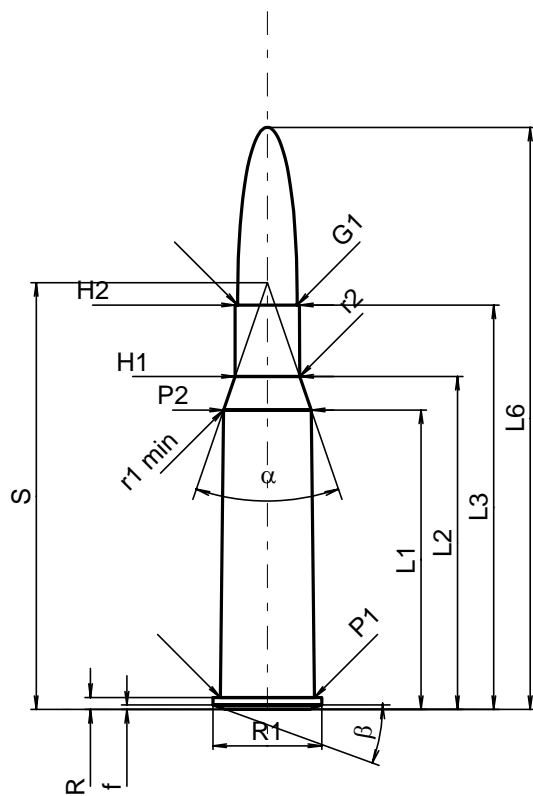
C.I.P.**7,62 x 53 R**

TAB. II

Datum 84-06-14

Revision 02-05-15

Ursprungsland: FI

**PATRONE MAXI****Längen**

L1*	=	39.61
L2*	=	44.05
L3 ¹⁾	=	53.50
L4	=	
L5	=	
L6	=	77.00

Hülsenboden

R ¹⁾	=	1.60	-0.25
R1	=	14.40	
R3	=		
E	=		
E1	=		
e min	=		
delta	=		
f	=	0.60	
beta	=	20°	

Pulverkammer

P1	=	12.42
P2*	=	11.61

Schulterkonus

alpha	=	38°01'38"
S	=	56.46
r1 min	=	0.50
r2	=	3.00

Hülsenhals

H1*	=	8.55
H2 ¹⁾	=	8.50

Geschoss

G1 ¹⁾	=	7.85
G2	=	
F	=	
L3+G ¹⁾	=	76.02

Drücke (Energien)**Mech. elektr. Wandler**

Pmax	=	3900 bar
PK	=	4485 bar
PE	=	4875 bar
M	=	25.00
EE	=	3960 Joule

Verschiedene Daten

Fe ¹⁾	=	0.10
delta L	=	

PATRONELAGER MINI**Längen**

L1*	=	39.70
L2*	=	44.30
L3 ¹⁾	=	54.10

Stoßboden

R ¹⁾	=	1.60
R1	=	14.43
R2	=	
R3	=	
r	=	

Pulverkammer

E	=	
P1 ¹⁾	=	12.45
P2*	=	11.67

Schulterkonus

alpha	=	36°47'42"
S	=	57.24
r1 max	=	0.70
r2	=	3.00

Hülsenhals

H1*	=	8.61
H2 ¹⁾	=	8.55

Geschossübergang

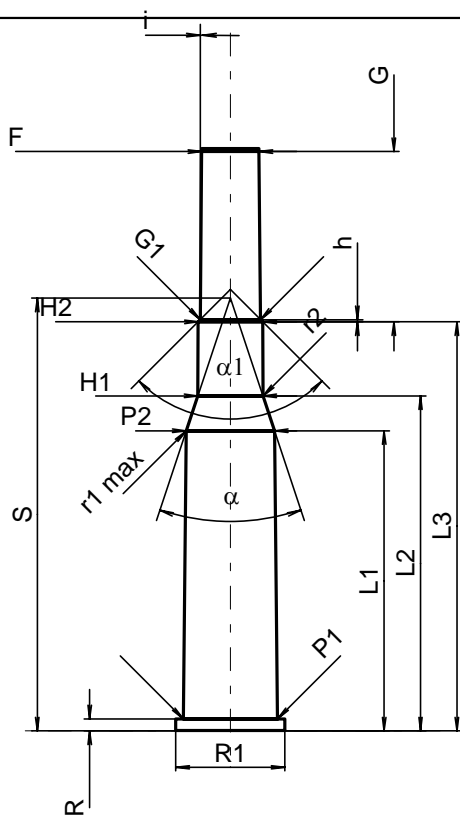
G1 ^{1)*}	=	7.98
G ^{1)*}	=	22.52
alpha1	=	90°
h*	=	0.29
s	=	
i ¹⁾	=	0°30'09"
w	=	

Lauf

F ^{1)*}	=	7.59
Z ¹⁾	=	7.83

Züge

b	=	4.20
N	=	4
u	=	300.00
Q	=	47.38 mm ²



Maßstab 1:1

Maße in << mm >>
Maße und Toleranzen für Messläufe
siehe Anhang CR 1.

Bemerkungen: 1) Kontrolle aus Sicherheitsgründen
* Grundmaße