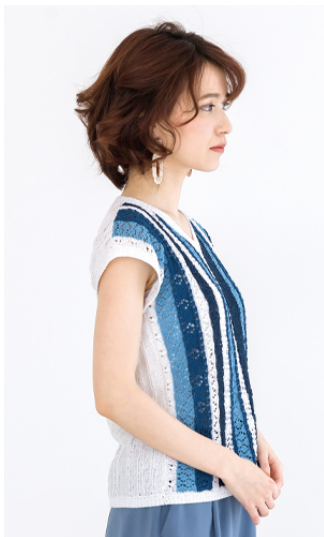


# 219s-01 Striped Top



## Suggested yarn:

- Pierrot Yarns New Shine Cotton [100% cotton; 148 yds/135m per 1.06 oz./30g skein];
  - color #01 white, 5 skeins [125g]
  - color #07 navy blue, 1 skein [15g]
  - color #18 ink blue, 1 skein [15g]
  - color #08 baby blue, 1 skein [20g]

## Tools/Notions:

- 3.0mm (approx. US 2½) knitting needles or size necessary to achieve gauge
- 2.5mm (approx. B or C) crochet hook or size necessary to achieve gauge
- cable needle

## Finished measurements:

- bust 98cm/38.6"
- cross back width 53cm/20.9"
- back length 54cm/21.3"

## Gauge (10cm/4" square):

- pattern stitch A: 29 sts and 40 rows
- pattern stitches B, B', C, D, E, F, G & H: 28 sts and 40 rows

*Gauge may vary according to individual knitting style. Change needle size if necessary to achieve gauge. Alternatively, rework pattern with your own gauge measurements.*

## Summary

**Back body:** Cast on with long-tail cast-on method. Work in pattern stitch A. Bind off.

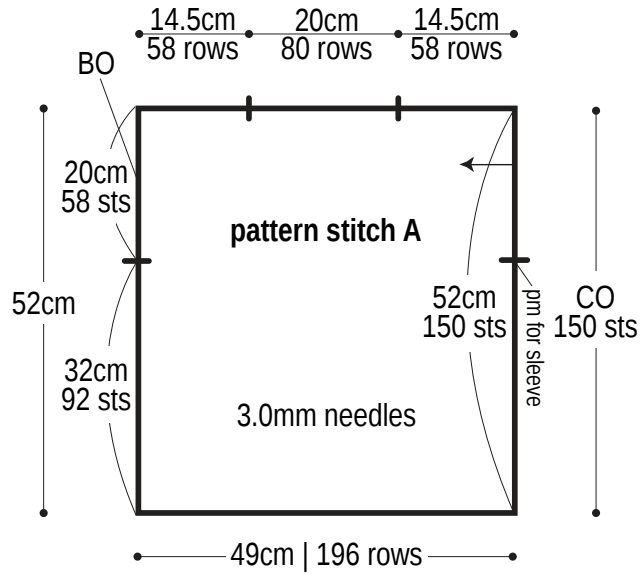
**Front body:** Cast on with long-tail cast-on method. Work stripes according to chart & schematic. Bind off.

**Finishing:** Seam shoulders with mattress stitch. Seam sides with Kitchener stitch. Crochet edging around hem, neckline, armholes, respectively, working back and forth in joined rounds.

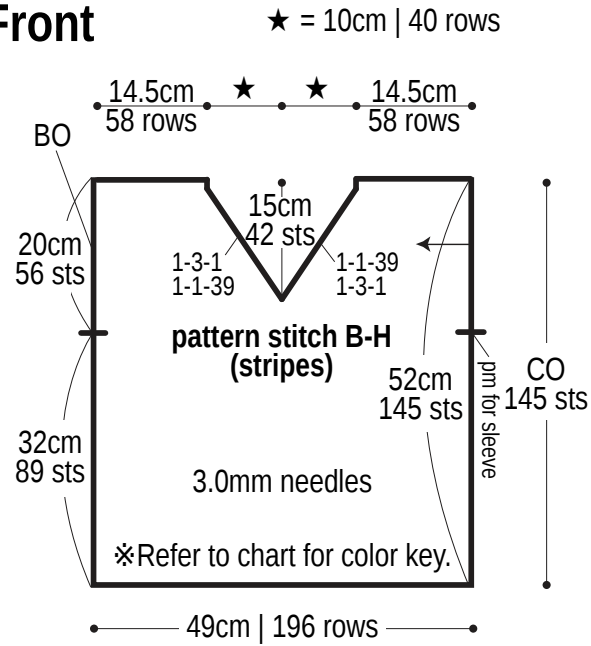
## Abbreviations:

BO = bind off    CO = cast on    pm = place marker    #-#-# = rows-stitches-times

## Back color #01

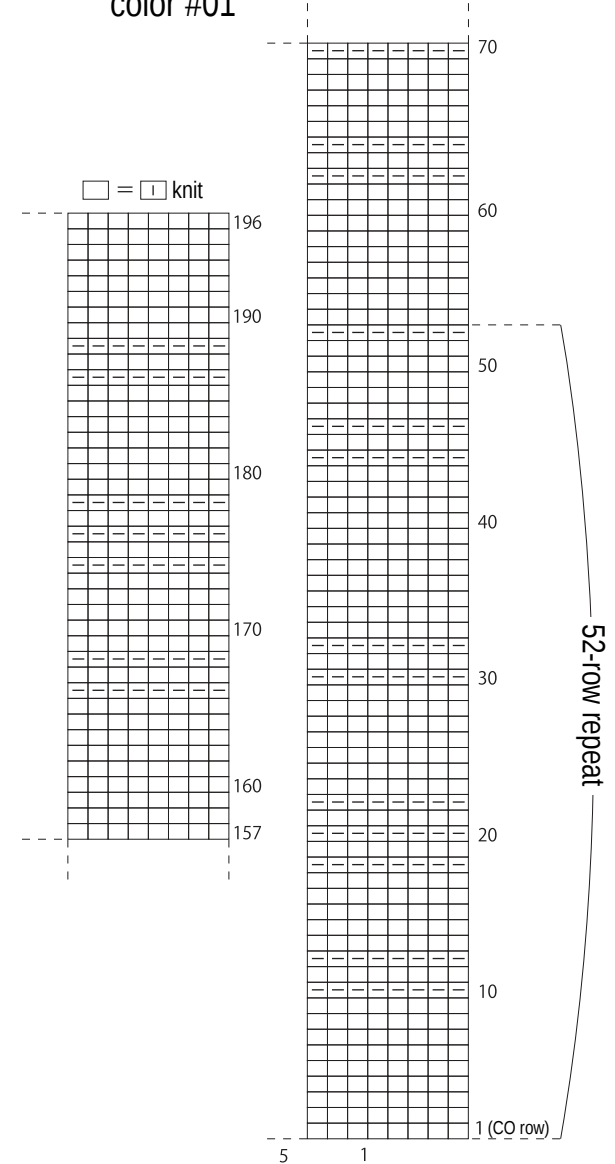


## Front

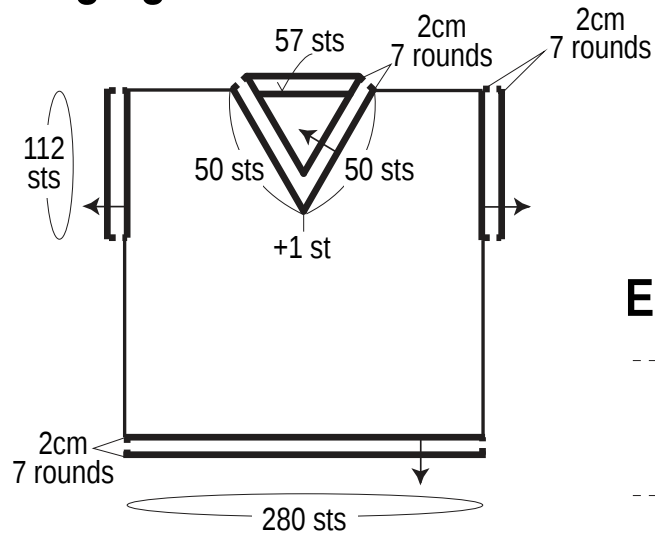


## Pattern stitch A

color #01

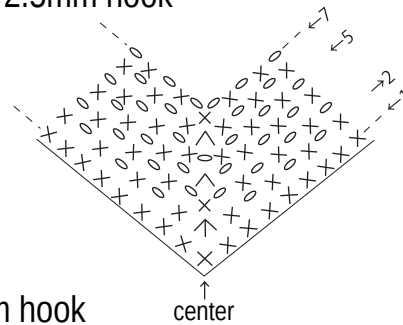


## Edging color #01

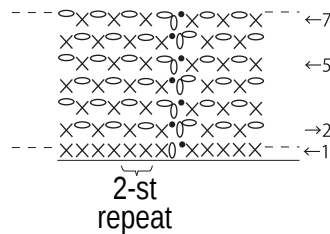


## V-neck instructions

2.5mm hook



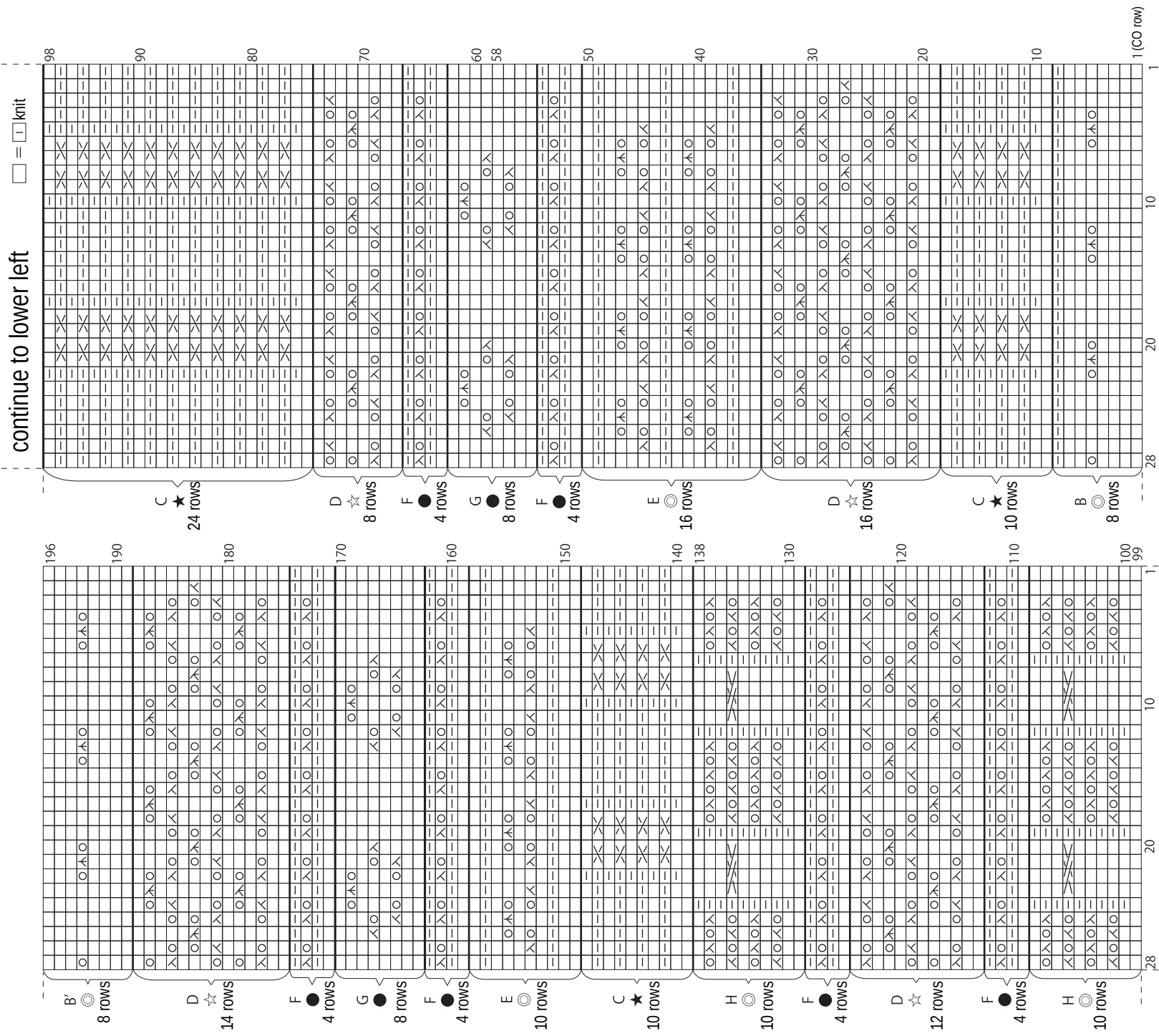
## Edging 2.5mm hook



# Pattern stitch B-H

◎ = color #01   ● = color #18  
 ☆ = color #08   ★ = color #07

B•B=8-st repeat   F = 3-st repeat  
 C = 12-st repeat   G = 13-st repeat  
 D•E = 6-st repeat   H = 12-st repeat



= C4F