

578sw Sleeveless Top



Suggested yarn:

- Pierrot Yarns Beauty Silk Cotton [90% cotton, 10% silk; 180 yds/165m per 1.06 oz./30g skein]; color #06 mustard, 4 skeins [100g]
- Pierrot Yarns Kirara [89% acetate, 11% polyester; 1892 yds/1730m per 1.76 oz./50g cone]; color #08 gold, 1 cone [15g]

Tools/Notions:

- 2.5mm (approx. US B or C) crochet hook or size necessary to achieve gauge

Finished measurements:

- bust 89cm/35.0"
- cross back width 33cm/13.0"
- back length 50cm/19.7"

Gauge (10cm/4" square):

- pattern stitch: 28 sts and 9 rows

Gauge may vary according to individual crochet style. Change hook size if necessary to achieve gauge. Alternatively, rework pattern with your own gauge measurements.

Summary

✳️ **Note 1:** Like all Japanese patterns, stitch counts given here for foundation chains do not include any chain sts needed for turning posts.

✳️ **Note 2:** Entire garment worked with 2 strands of yarn held together (1 strand of each yarn).

Body: Work foundation chain to begin, then work in pattern stitch.

Finishing: Seam shoulders with chain seam (alternating chain st and slip st as needed to maintain pattern). Seam sides with chain seam. Crochet edging in the round around neckline, armholes, and hem, respectively.

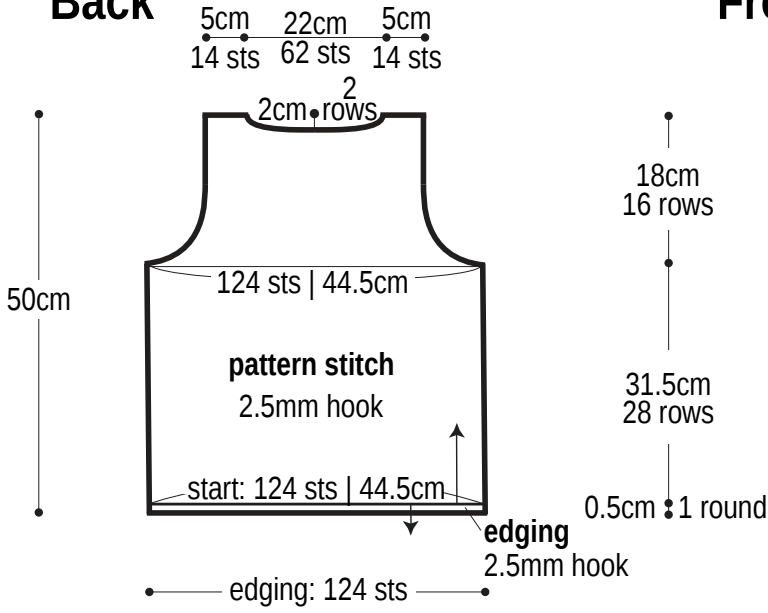
Abbreviations:

ch = chain

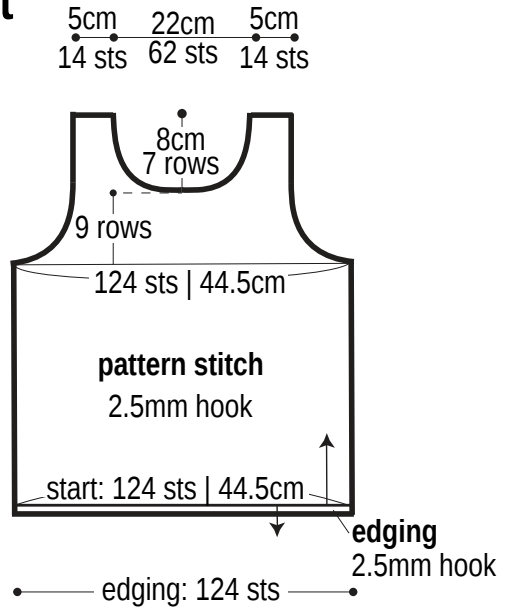
dc = double crochet

fp = front post

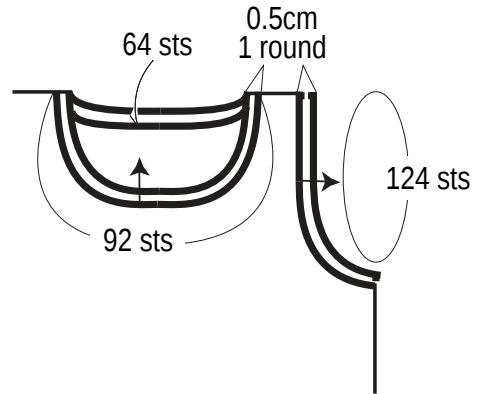
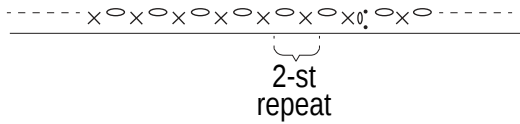
Back



Front



Edging 2.5mm hook



Pattern stitch

