

219AW-04 Yoke Sweater



Suggested yarn:

- Pierrot Yarns Soft Merino [100% merino wool; 104yds/95m per 1.4 oz./40g skein]; color #23 dark viridian, 11 skeins [415g]

Tools/Notions:

- 3.6mm (approx. US 5), 3.9mm (approx. US 6), and 4.2mm (approx. US 6 or 7) knitting needles or sizes necessary to achieve gauge

Finished measurements:

- bust 92cm/36.2"
- center back neck-to-cuff 72cm/28.3"

Gauge (10cm/4" square):

- stockinette stitch: 19 sts and 26 rows
- pattern stitch (with 3.9mm needles): 23.5 sts and 31 rows

Gauge may vary according to individual knitting style. Change needle size if necessary to achieve gauge. Alternatively, rework pattern with your own gauge measurements.

Summary

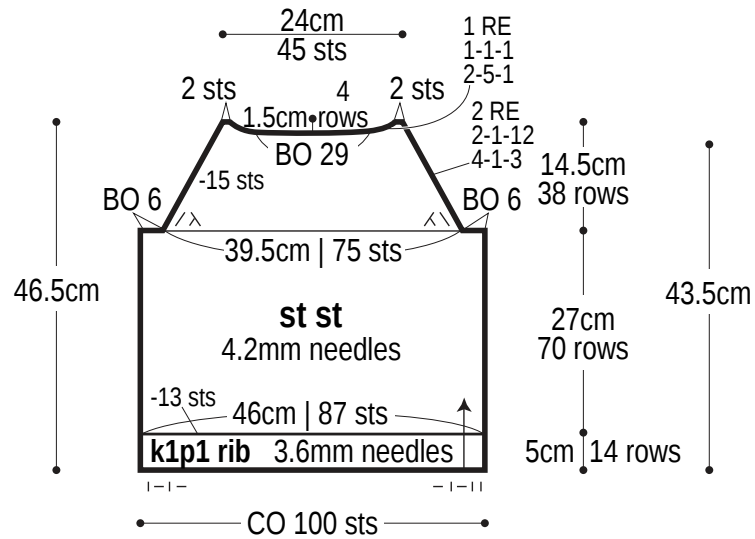
Body & sleeves: Cast on with long-tail cast-on method. Work in k1p1 ribbing and then in st st. Shape raglan edges by working fully fashioned decreases (1 stitch in from the edge). Seam raglan edges with mattress stitch, but seam the underarm gusset with Kitchener stitch. Seam sides and sleeves with mattress stitch.

Yoke & collar: Pick up stitches from front, back, and sleeves. Referring to the chart and yoke/collar schematic, work in pattern stitch in the round while working evenly spaced decreases, then continue in k1p1 ribbing. Bind off in pattern.

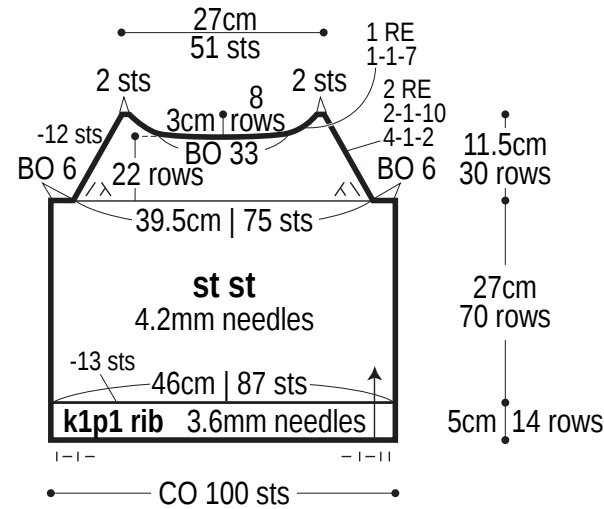
Abbreviations:

BO = bind off CO = cast on k = knit p = purl PU = pick up RE = row(s) even st st = stockinette stitch #-#-# = rows-stitches-times

Back

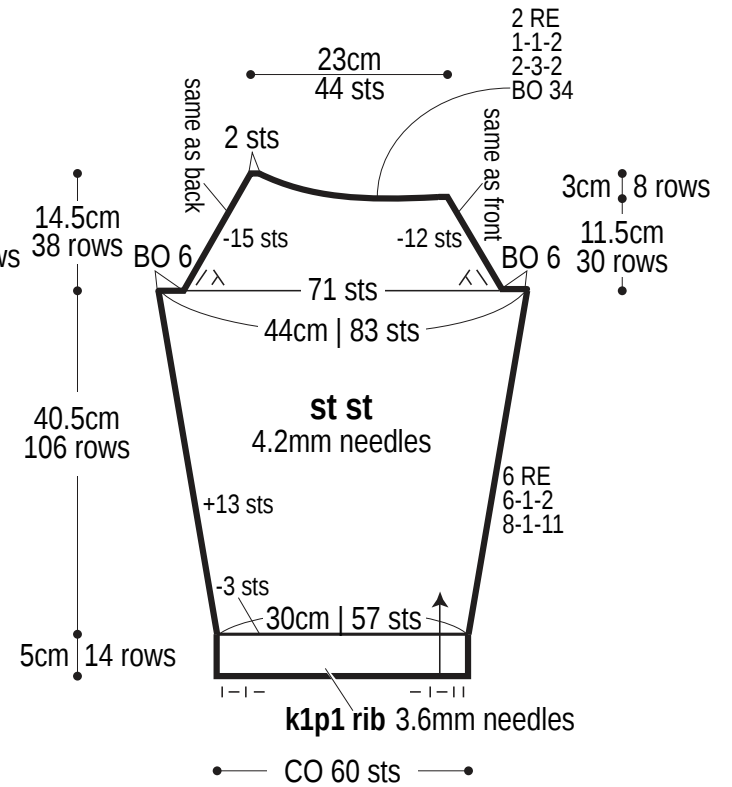


Front



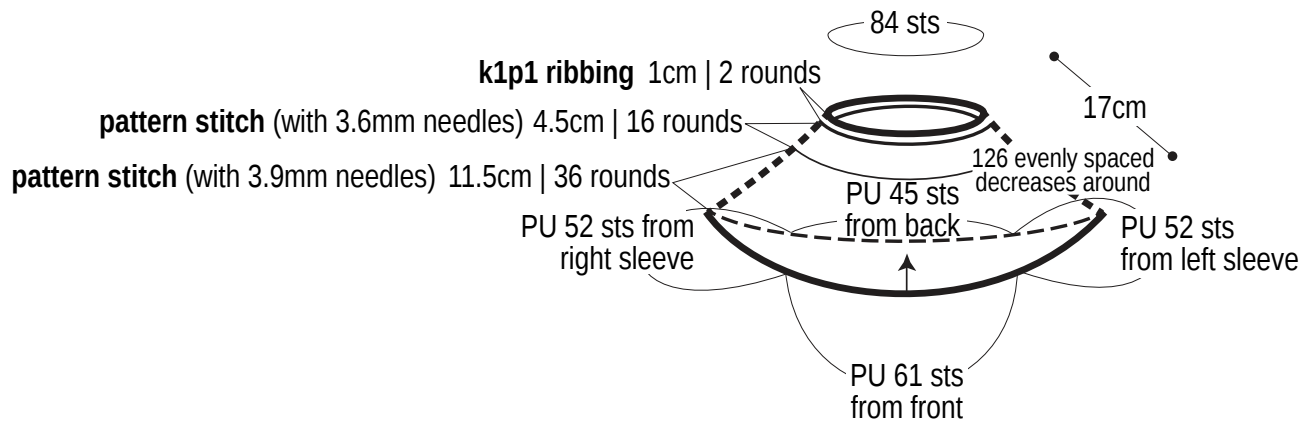
Right sleeve

*Reverse shaping for left sleeve.



Yoke & collar

*Pick up 210 stitches total.



Yoke & collar

