

# 370la Lace Skirt



## Suggested yarn:

- Pierrot Yarns Graceful Linen [100% linen; 828 yds/757m per 3.5 oz./100g cone; color #07 olive green, 3 cones [215g]

## Tools/Notions:

- 1.50mm (US steel hook 8) and 1.75mm (US steel hook 4) crochet hooks or sizes necessary to achieve gauge

## Finished measurements:

- waist 96cm/37.8"
- length 63.5cm/25.0"

## Gauge (10cm/4" square):

- No gauge information is provided in the original pattern. Use hook sizes necessary to achieve the desired measurements.

*Gauge may vary according to individual crochet style. Change hook size if necessary to achieve gauge. Alternatively, rework pattern with your own gauge measurements.*

## Summary

**Body of skirt:** Work magic ring to begin, then crochet motifs A and B in the round according to charts and schematics. Starting from the second motif, join motifs together as you go with slip stitch on the final round (see charts).

**Drawstring:** Crochet according to chart.

**Finishing:** Crochet edging around hem and waist, respectively. Thread drawstring through waistband as shown in chart for edging B.

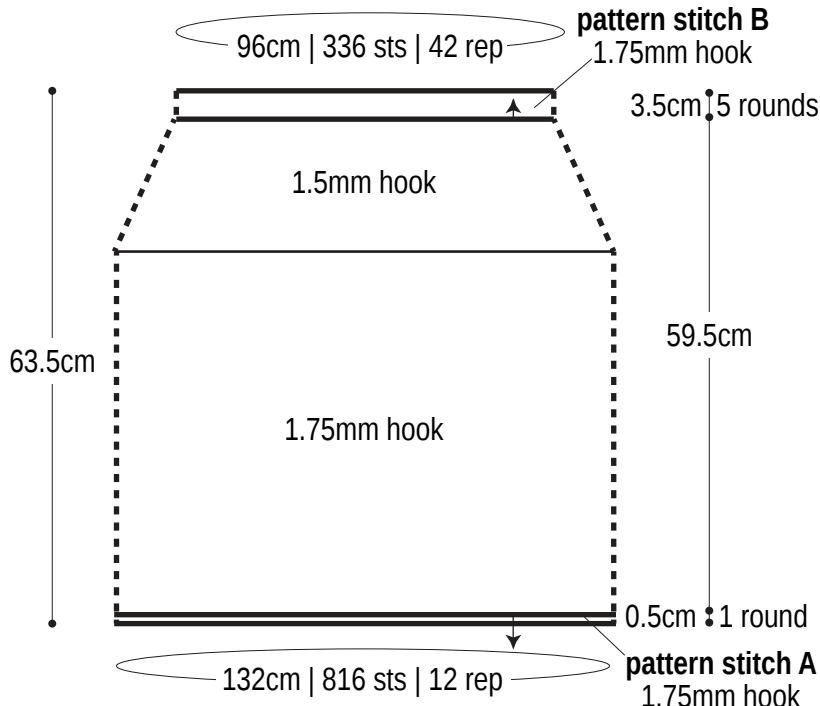
### Abbreviations:

ch = chain

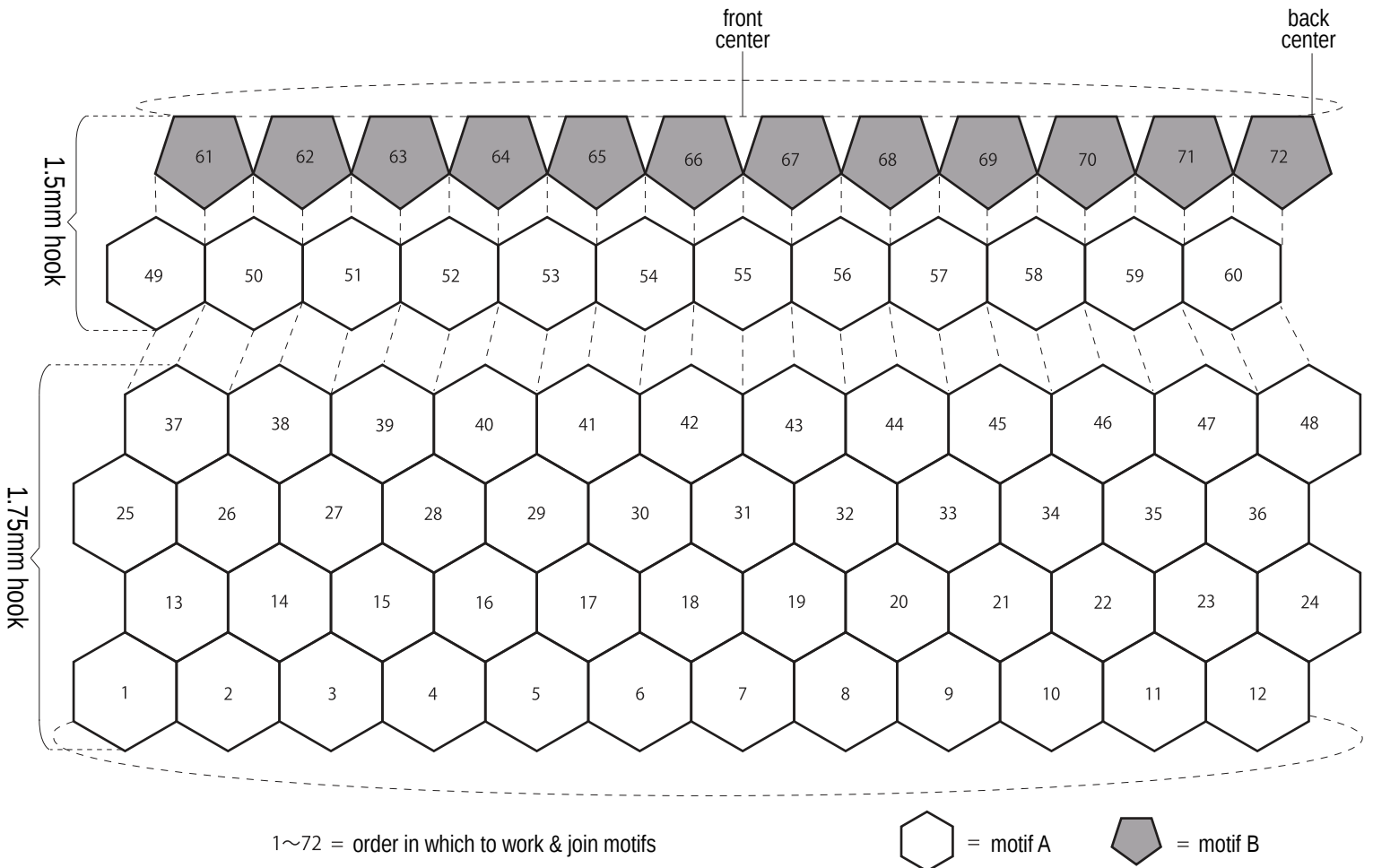
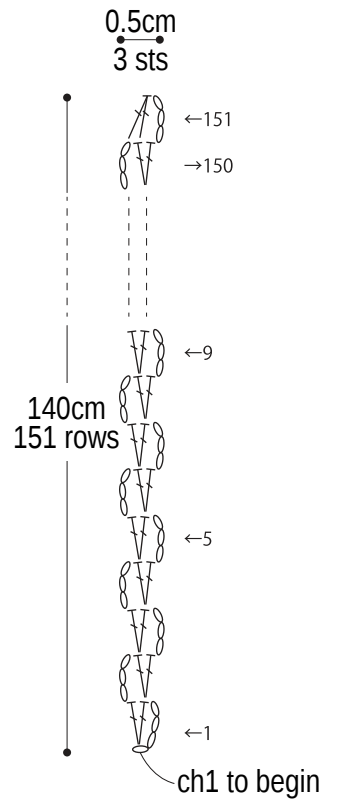
m = magic ring/circle

rep = pattern repeat(s)

# Skirt schematic




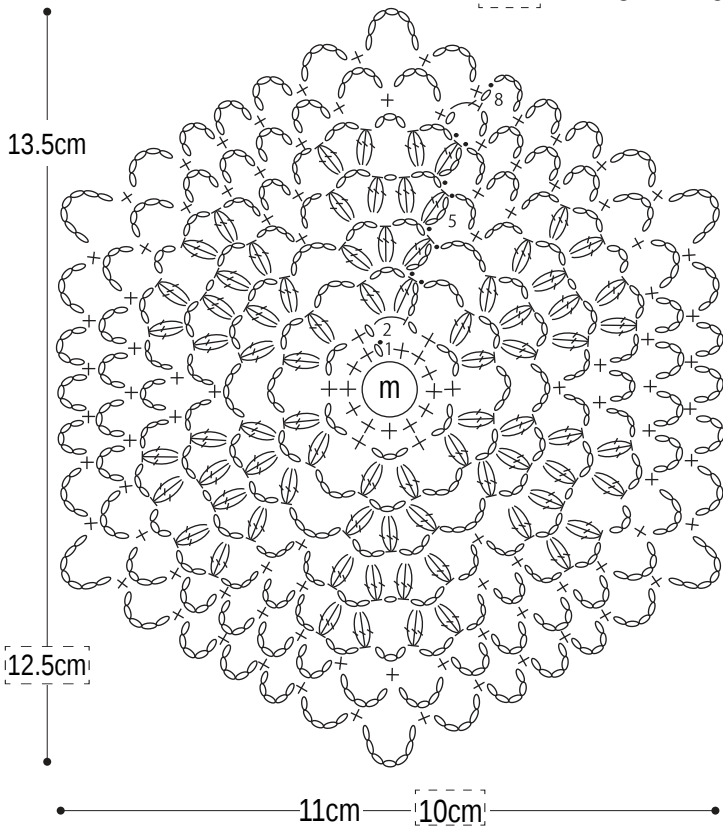
# Drawstring



# Motif A

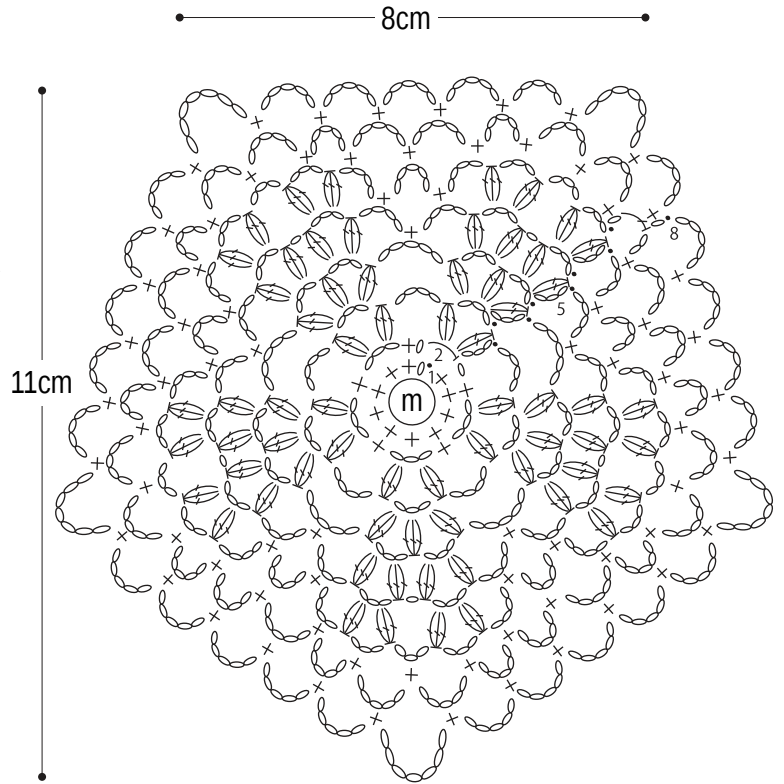
1.75mm hook, make 48

 = 1.5mm hook, make 12

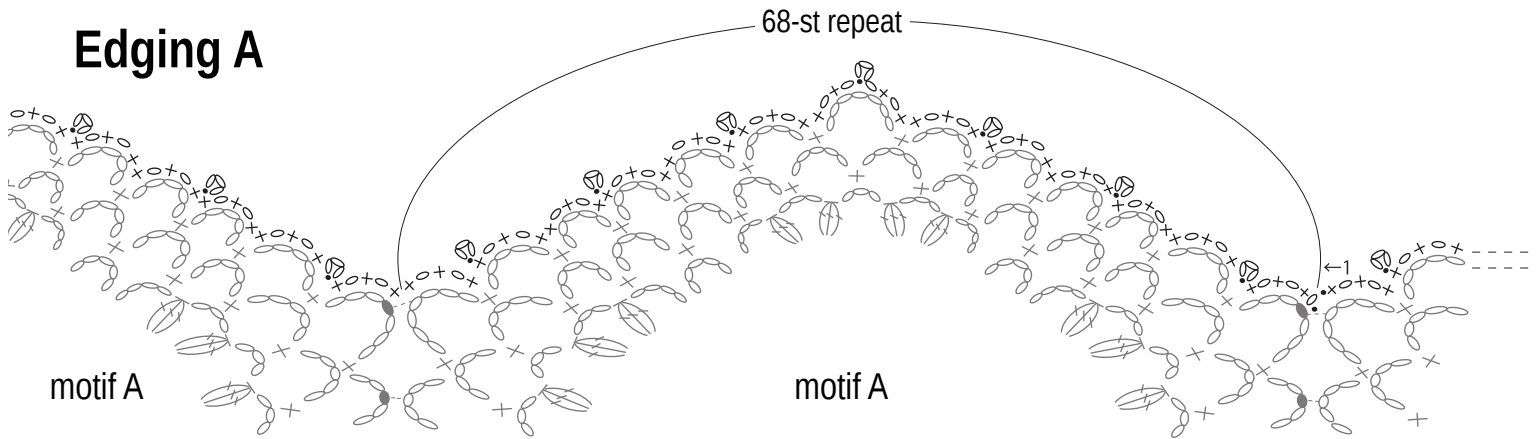


# Motif B

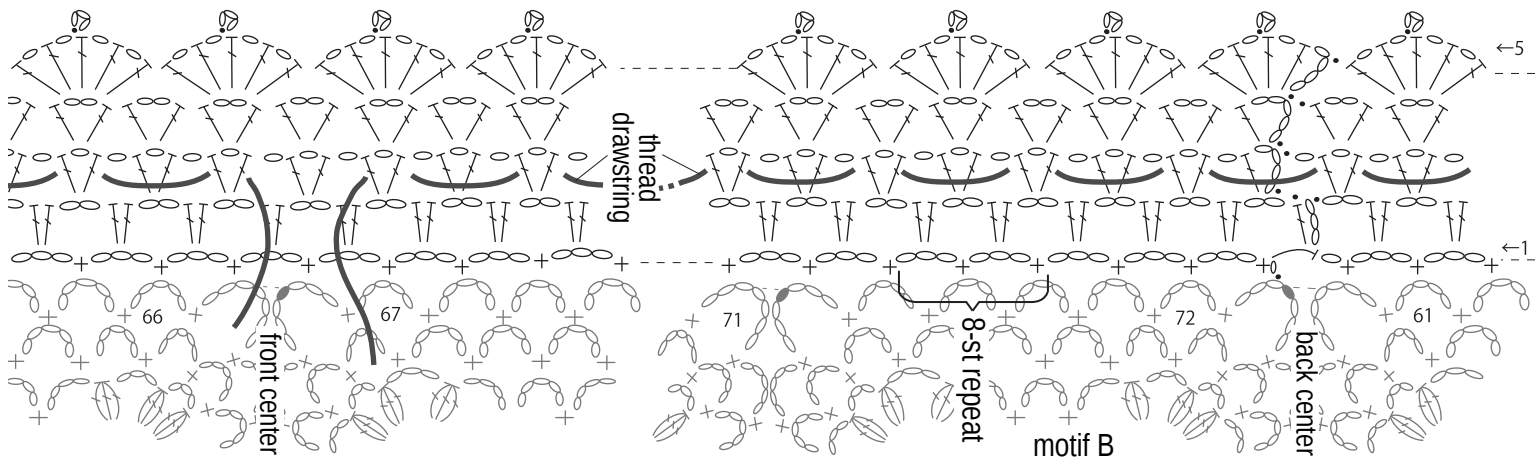
1.5mm hook, make 12



# Edging A



# Edging B



# How to join motifs

