

219ss-01 Three-quarter Sleeve Sweater



Suggested yarn:

- Pierrot Yarns Cotton Neat S [100% cotton; 104 yds/95m per 1.41 oz./40g skein]; color #86 royal blue, 7 skeins [250g]

Tools/Notions:

- 3.9mm (approx. US 6) knitting needles or size necessary to achieve gauge

Finished measurements:

- bust 96cm/37.8"
- center back neck-to-cuff 55cm/21.7"
- back length 48.5cm/19.1"

Gauge (10cm/4" square):

- pattern stitch: 18.5 sts and 24 rows

Gauge may vary according to individual knitting style. Change needle size if necessary to achieve gauge. Alternatively, rework pattern with your own gauge measurements.

Summary

Body (back & front): Cast on with long-tail cast-on method. Work in k1p1 ribbing, then continue in pattern stitch.

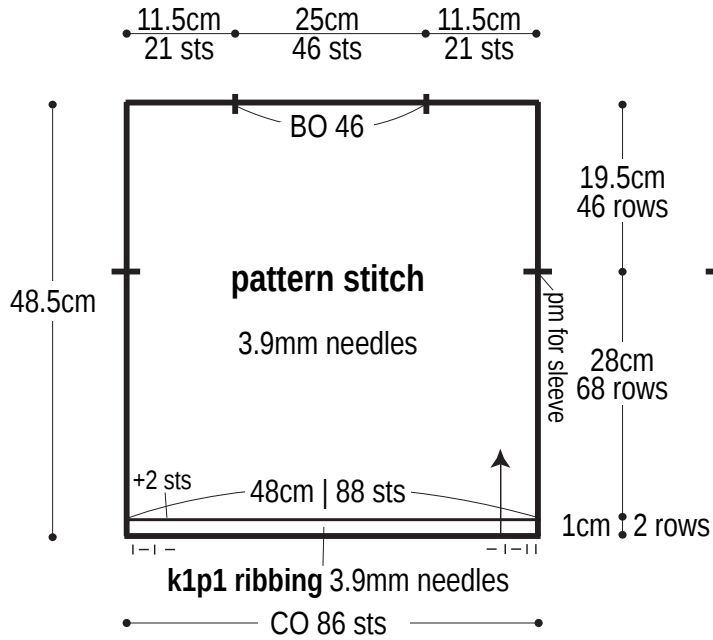
Sleeve (make 2): Seam shoulders with crochet slip stitch seam. Pick up stitches along armholes (between sleeve seam and marker). Work sleeve in pattern stitch and then in k1p1 ribbing. Bind off in pattern.

Finishing: Pick up stitches around neckline; work collar in k1p1 ribbing in the round. Bind off in pattern. Seam sides/sleeves with one continuous mattress stitch seam per side of body.

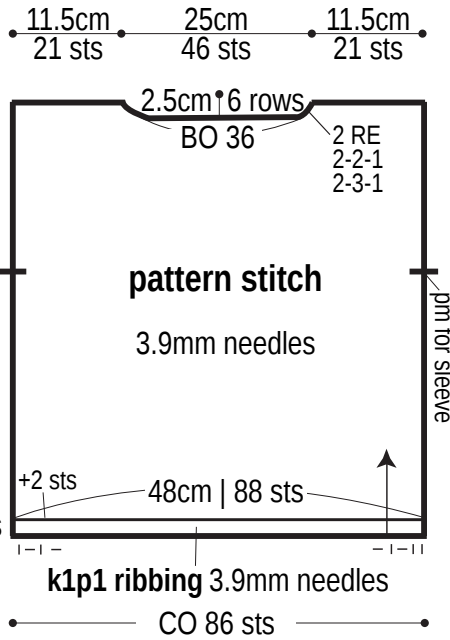
Abbreviations:

BO = bind off CO = cast on k = knit p = purl pm = place marker PU = pick up RE = row(s) even #-#-# = rows-stitches-times

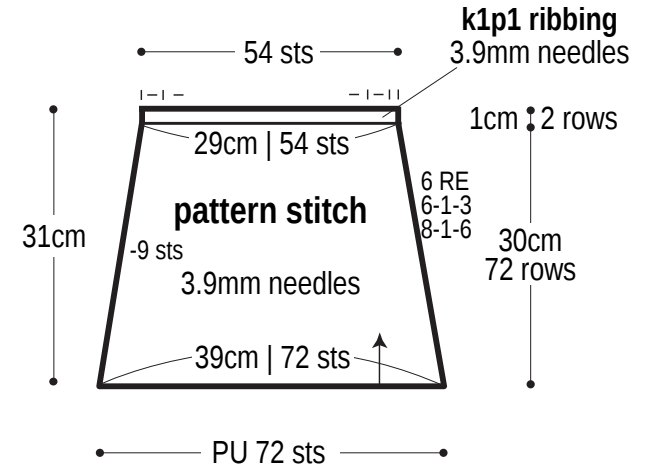
Back



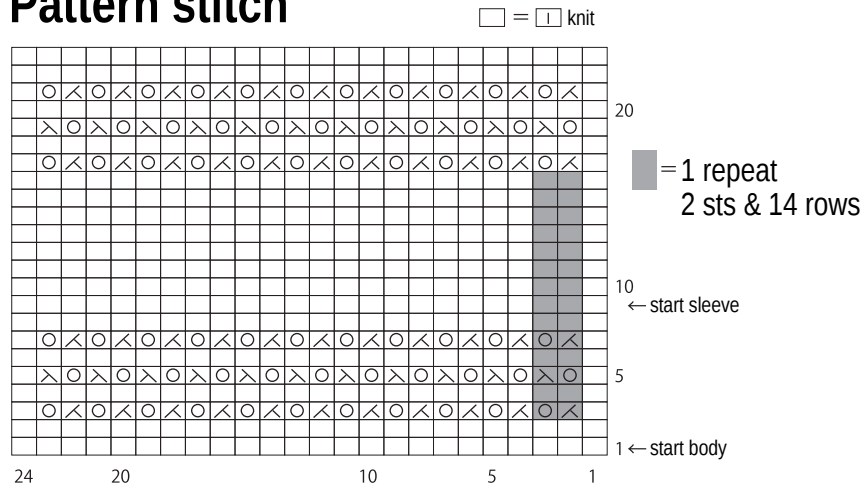
Front



Sleeve



Pattern stitch



Finishing: k1p1 ribbing

3.9mm needles

