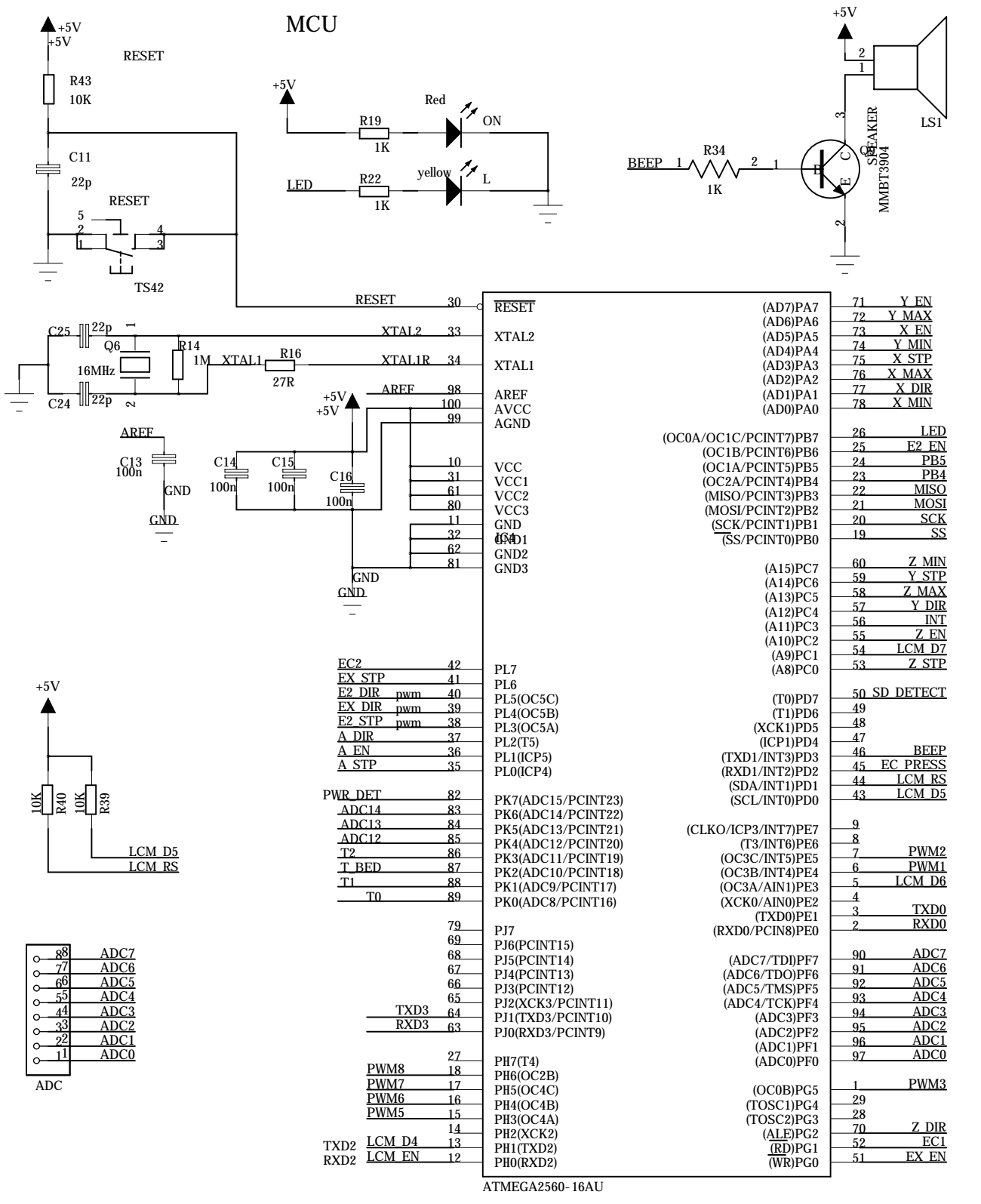
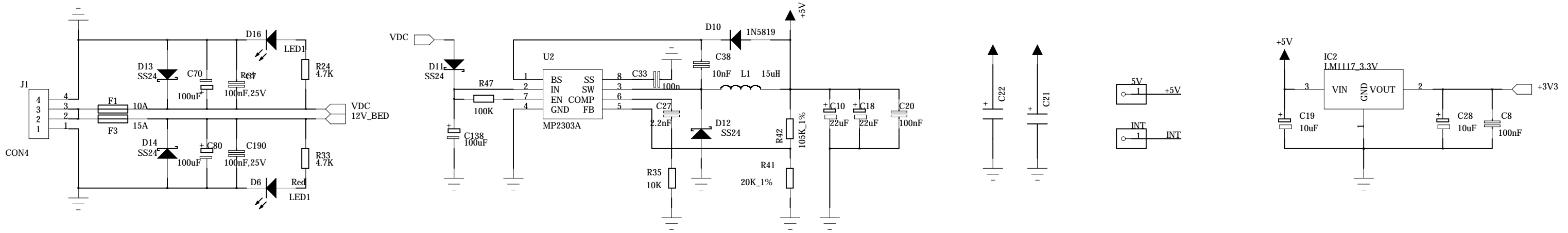
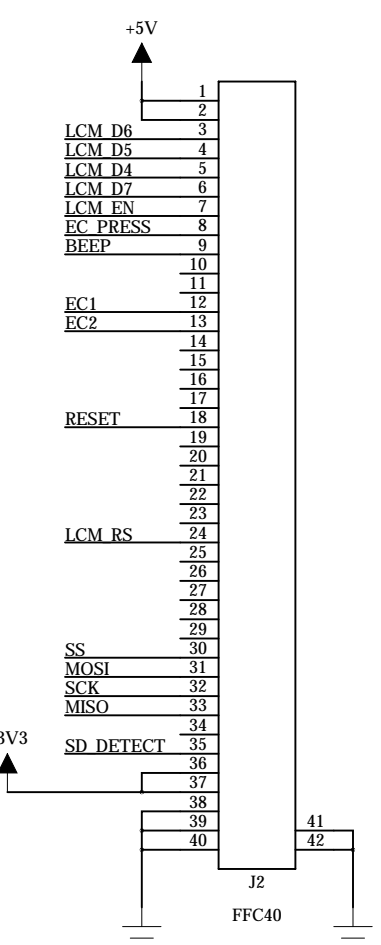


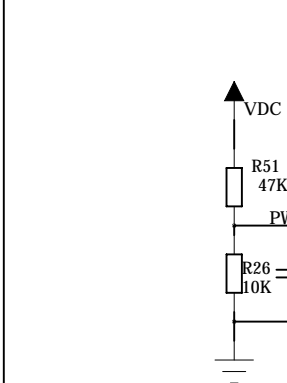
POWER



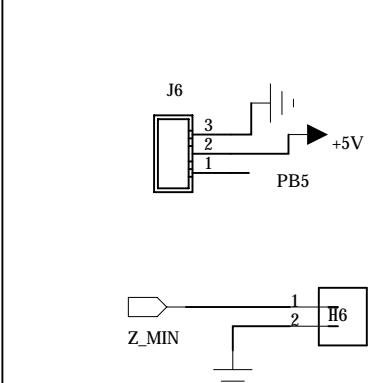
LCD & SD CARD



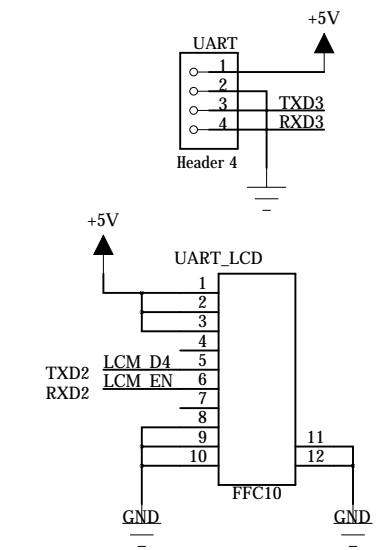
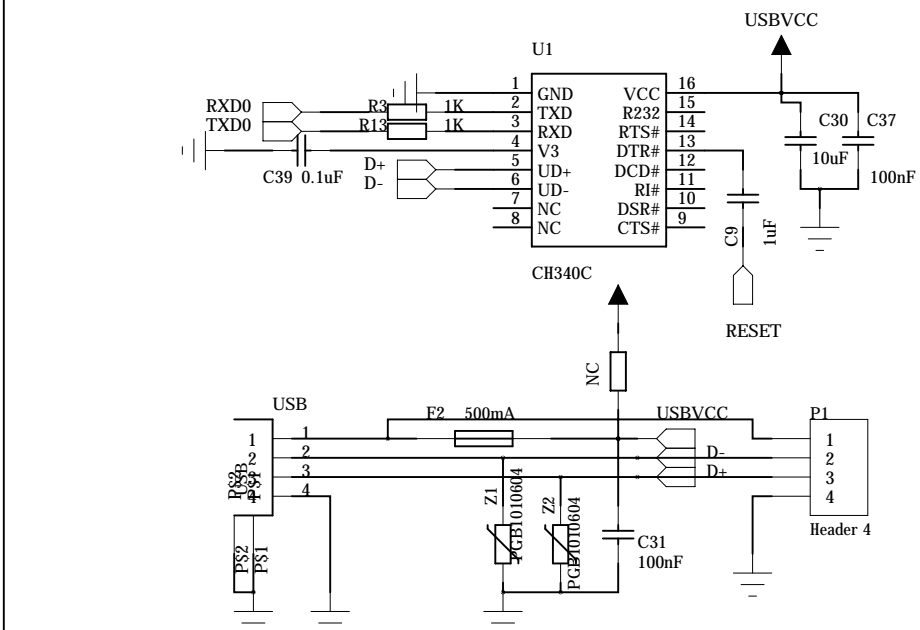
POWER DETC



3D TOUCH



USB TO SERIAL



GT2560

V3.0

COMPANY: www.Geeetech.com

Drawn by Finn, Sep. 2018

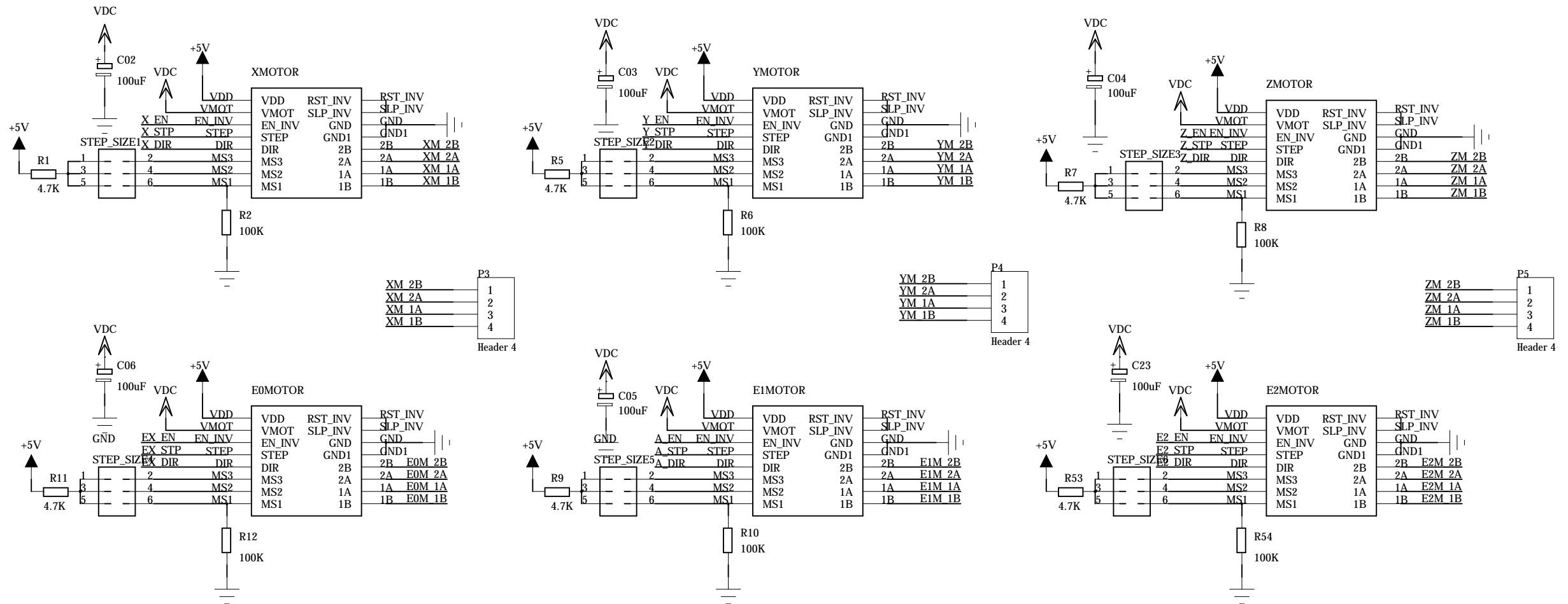
Base on Arduino mega2560 and Ultimaker

Open Hardware

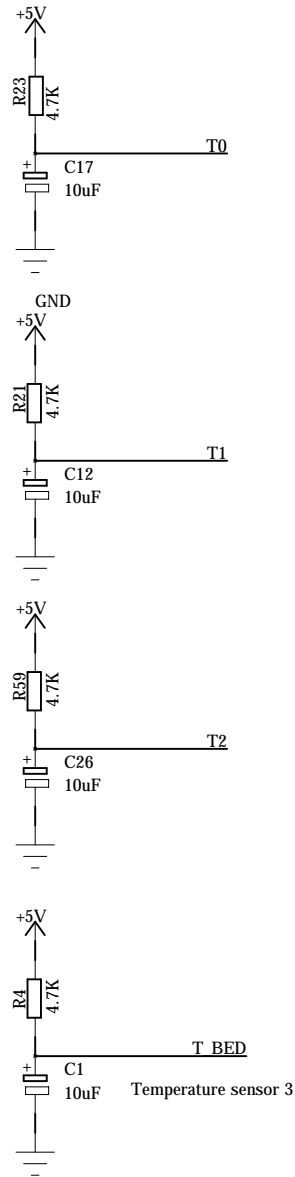
HOLE

- H1 MOUNT-HOLE3.0
- H2 MOUNT-HOLE3.0
- H3 MOUNT-HOLE3.0
- H4 MOUNT-HOLE3.0
- H5 MOUNT-HOLE3.0

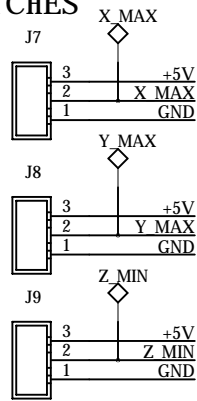
STEPPER DRIVER



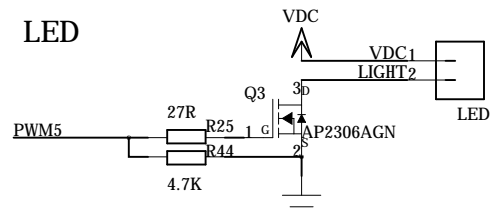
TEMPERATURE SENSOR



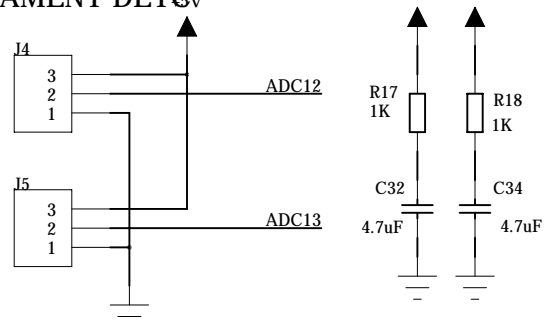
LIMIT SWITCHES



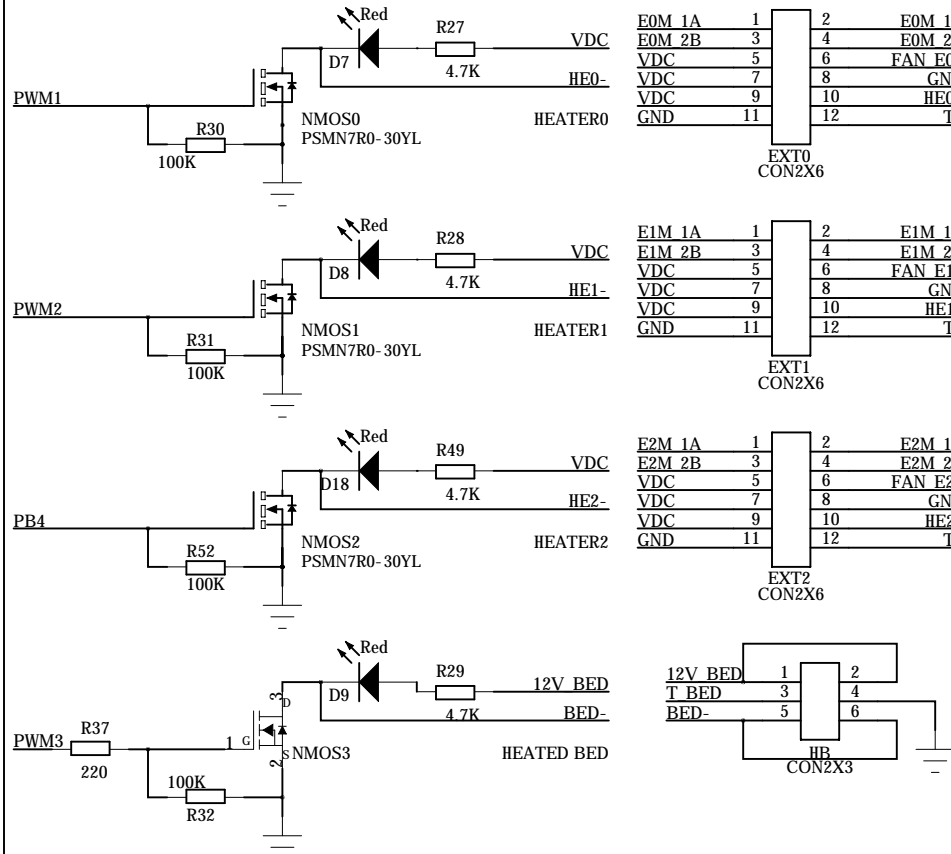
LED



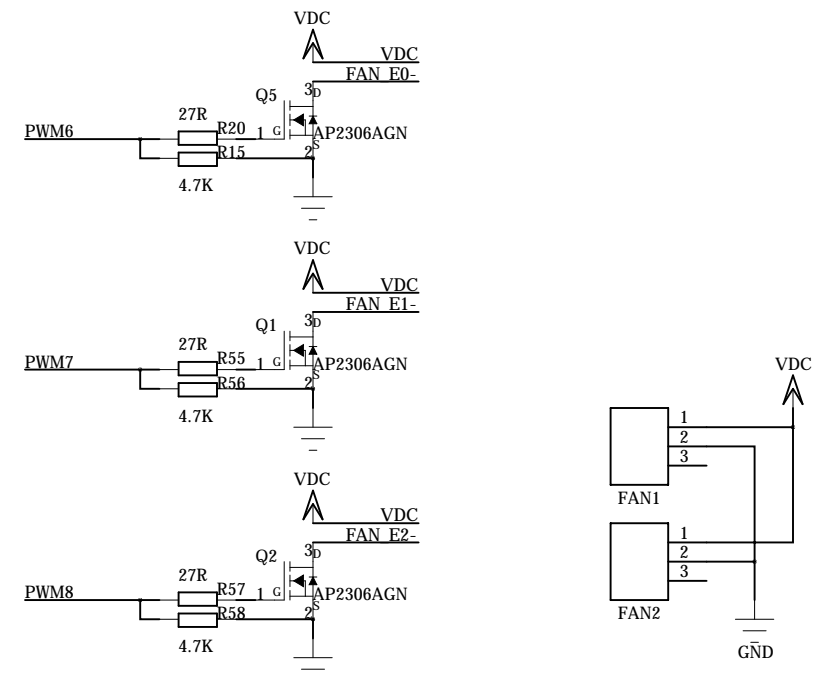
FILAMENT DETGv



HOTBED & HOTEND CONTROL/CONNECTORS



FAN CONNECTORS



GT2560

V3.0

COMPANY: www.Geeetech.com

Drawn by Finn, Sep., 2018

Base on Arduino mega2560 and Ultimaker

Open Hardware