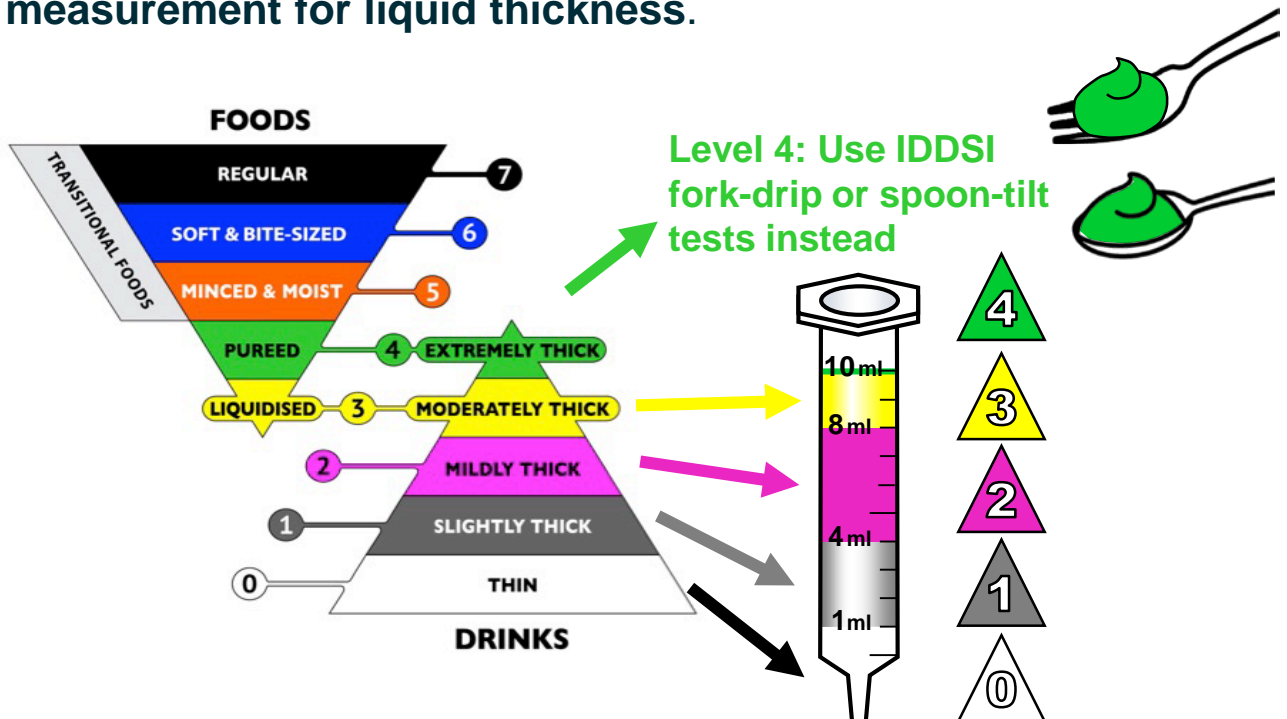


IDDSI flow test

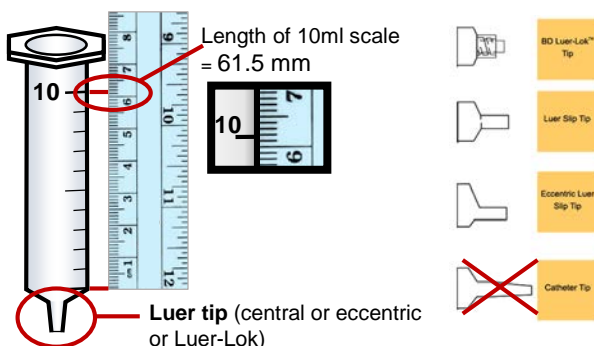


The International Dysphagia Diet Standardisation Initiative (IDDSI) framework of terminology and definitions includes an **objective measurement for liquid thickness**.



The **IDDSI flow test** classifies **IDDSI Levels 0-3** based on their rate of flow.

Use a syringe (following syringe dimensions as per image below) for correct results.



DISCOVER MORE ABOUT IDDSI

Visit: IDDSI.org

Follow on Twitter: [@IDDSI_org](https://twitter.com/IDDSI_org)

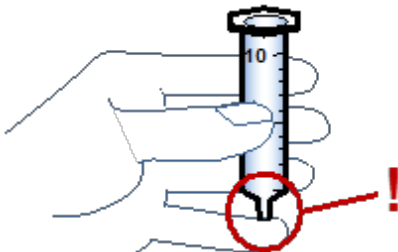
Download the IDDSI App:



IDDSI flow test - instructions

Videos of IDDSI flow test can be found here:
<http://iddsi.org/framework/drink-testing-methods/> or
in the IDDSI App

**1. Remove
plunger**

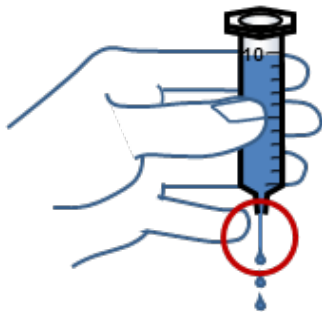


**Check the nozzle is
completely clear before use**

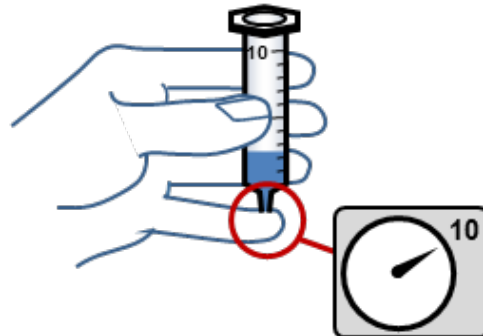
**2. Cover nozzle
with finger and
fill 10ml**



**3. Release nozzle &
start timer**



4. Stop at 10 seconds



PLATINUM SPONSORS



GOLD SPONSORS



SILVER SPONSORS



BRONZE SPONSORS

Basic American Foods • Evolution Group • Dr. Oetker Professional • Flavour Creations • Gordon Food Services • Lyons Magnus • Precise Thick-N