

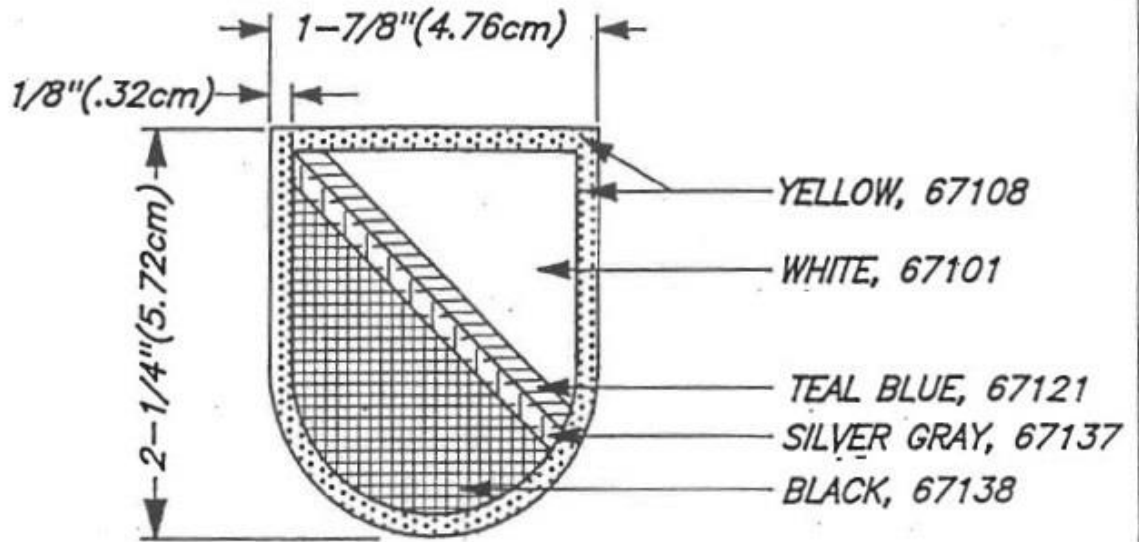
Company C (Airborne) Long Range Surveillance LRS,  
14th Military Intelligence Battalion,  
14th Military Intelligence Battalion inactivated,  
June 14<sup>th</sup> 2013



A-4-114 / A-6-136



Beret Flash



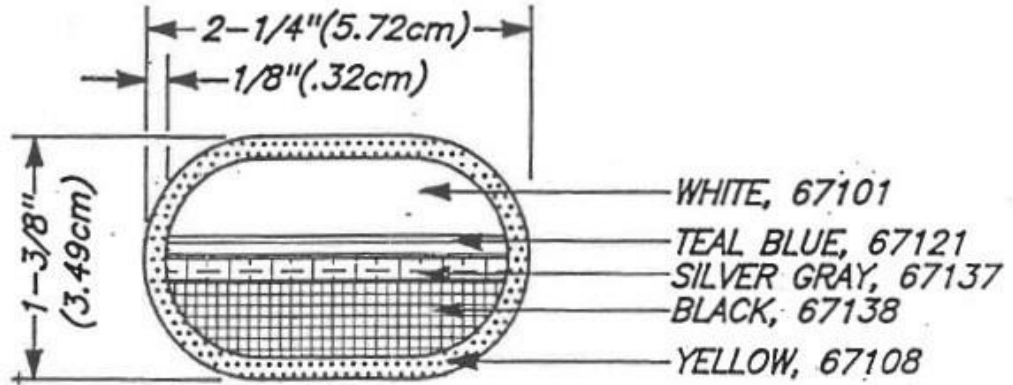
DESIGNED FOR OVEREDGE STITCHING

UNLESS OTHERWISE SPECIFIED DIMENSIONS ARE IN INCHES TOLERANCES ON FRACTIONS DECIMALS ANGLES			THE INSTITUTE OF HERALDRY, U.S.ARMY CAMERON STATION ALEXANDRIA, VA 22304-5050	
	EXAMINED	SWH	BERET FLASH FOR COMPANY C 14th MILITARY INTELLIGENCE BATTALION (LRS)	
CHECKED	JH			
MATERIALS:	PREPARED	egp	SIZE	CODE IDENT. NO.
TO BE MANUFACTURED IN ACCORDANCE WITH MIL-1-14652	APPROVED <i>G.T. Luchino</i> GERALD T. LUCHINO DIRECTOR		A	22571 A-4-114
			SCALE	DATE
			FULL	28 MARCH 1992





Background Trimming / Oval



DESIGNED FOR OVEREDGE STITCHING

UNLESS OTHERWISE SPECIFIED DIMENSIONS ARE IN INCHES FRACTIONS DECIMALS LES	THE INSTITUTE OF HERALDRY, U.S. ARMY CAMERON STATION ALEXANDRIA, VA 22304-5050			
	EXAMINED CHECKED PREPARED	PAD NH ogp	YH   	BACKGROUND TRIMMING FOR COMPANY C 14th MILITARY INTELLIGENCE BATTALION (LRS)
MATERIALS: MANUFACTURED IN ACCORDANCE WITH 4652	APPROVED <i>A.T. Luchino</i> GERALD T. LUCHINO DIRECTOR	SIZE A	CODE IDENT. NO. 22571	A-6-136
		SCALE FULL	DATE 28 MARCH 1992	