

# How to Measure Total Jitter (TJ)

Julian Hagedorn, Falk Alicke, and Ankur Verma

SVA/SDS/CTP

## ABSTRACT

Today, the jitter specification, TJ, is used in more and more systems, at the same time the jitter requirements get lower and lower. Clock generators or jitter cleaners like the CDCM6208 meet those tough jitter specifications for most systems (for example, TMS320TCI66xx DSP-based systems; see [Hardware Design Guide for KeyStone I Devices](#) (SPRABI2). The other side of the coin is that the measurement equipment has to be feasible to measure the low-noise clock generators. Therefore, the measurement equipment has to have a lower noise floor than the device under test. This can be achieved by minimizing the noise sources within the measurement equipment.

This application report describes the recommended measurement techniques for TJ. It includes the description of the techniques to minimize the noise sources of the measurement equipment. The CDCM6208 characterization setup is used as an example throughout the application report.

## Contents

1	Introduction .....	2
	1.1 Noise Sources in an Oscilloscope .....	2
2	Comparison: Phase Noise Analyzer Versus Oscilloscope .....	3
3	T <sub>J</sub> Characterization Setup .....	4
4	Measurement Results .....	5
5	Slew Rate Amplifier Alternatives .....	10
6	Tradeoffs .....	10
7	Digital Serial Analyzer With DPOJET Software .....	10
8	Conclusion .....	11
9	References .....	11

## List of Figures

1	Total Jitter Components .....	2
2	Oscilloscope Noise Sources .....	3
3	Slew Rate Impact on Measured Clock .....	3
4	Traditional TJ Measurement Setup .....	4
5	PNA Connection to Measure Random Jitter .....	5
6	Improved TJ Measurement Setup With ONET1191P .....	5
7	122.88 MHz (Integer): TJ = 18.335 ps .....	6
8	122.88 MHz (Integer) With ONET1191P: TJ = 7.722 ps .....	6
9	156.25 MHz (6-Bit Fraction): TJ = 49.356 ps .....	7
10	156.25 MHz (6-Bit Fraction) With ONET1191P: TJ = 40.840 ps .....	7
11	156.25 MHz (20-Bit Fraction): TJ = 63.69 ps .....	8
12	156.25 MHz (20-Bit Fraction) With ONET1191P: TJ = 54.88 ps .....	8
13	312.5 MHz (Integer): TJ = 17.763 ps .....	9
14	312.5 MHz (Integer) With ONET1191P: TJ = 8.205 ps .....	9

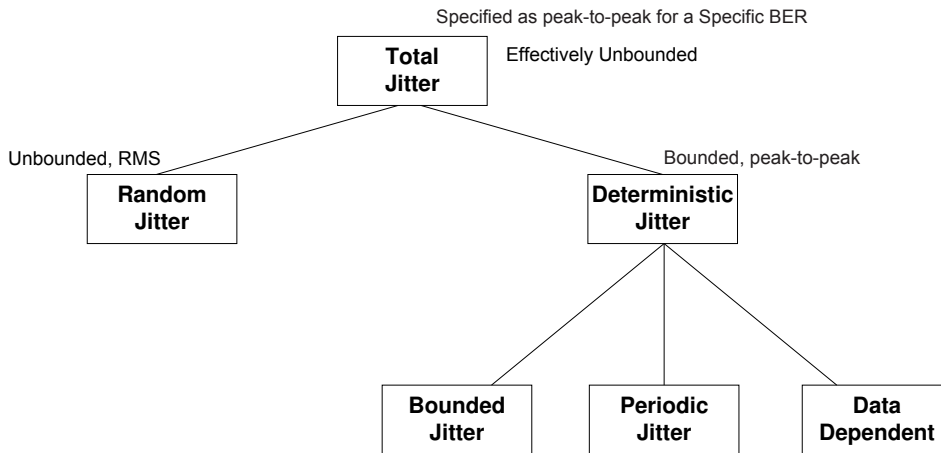
## Trademarks

All trademarks are the property of their respective owners.

## 1 Introduction

Jitter is a time variant noise component that impacts the phase of a signal. Total jitter includes two components; bounded (or deterministic) jitter and unbounded (or random) jitter.

Deterministic jitter is a predictable and repeatable behavior which can be expressed as a peak-to-peak value. Random jitter is the unbounded jitter part of  $T_J$ . It is mainly thermal noise, flicker noise or shot noise.



**Figure 1. Total Jitter Components**

A good technique to measure TJ uses a high-end digital sampling oscilloscope. This oscilloscopes need to have a better noise floor than the device under test, otherwise the performance of the device under test would be degraded and worsen by the noise of the oscilloscope. The noise floor in oscilloscopes is specified as *jitter noise floor* or *jitter measurement floor*.

In most cases, the given jitter measurement floor of an oscilloscope is only valid with a *best case* signal. This means that the input signal has to meet a certain slew rate.

### 1.1 Noise Sources in an Oscilloscope

In an Agilent application report the jitter noise floor is calculated as:

$$\text{Jitter Measurement Floor} = \sqrt{\left(\frac{\text{Oscilloscope Noise}}{\text{Slew Rate}}\right)^2 + (\text{Sample Clock Jitter})^2} \tag{1}$$

SampleClockJitter is also called intrinsic jitter. It describes the accuracy of the data sampling points and can be seen as horizontal noise impact.

OscilloscopeNoise describes the noise contributed by the oscilloscope itself (mainly voltage noise or vertical noise impact).

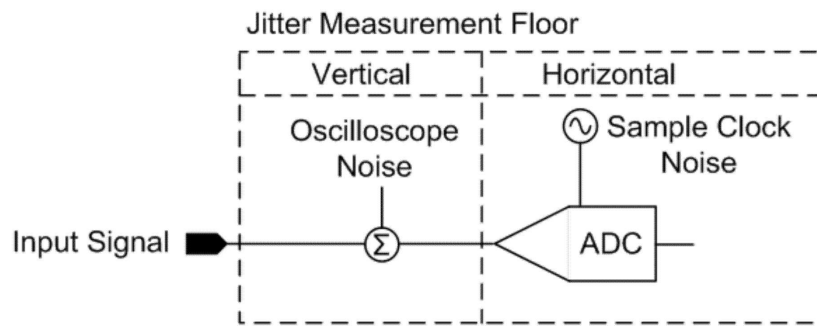


Figure 2. Oscilloscope Noise Sources

The simplified input of an oscilloscope is made of an analog-to-digital converter (ADC) which is clocked by the sampling clock. Additionally, there is the input gain stage which injects the oscilloscope noise.

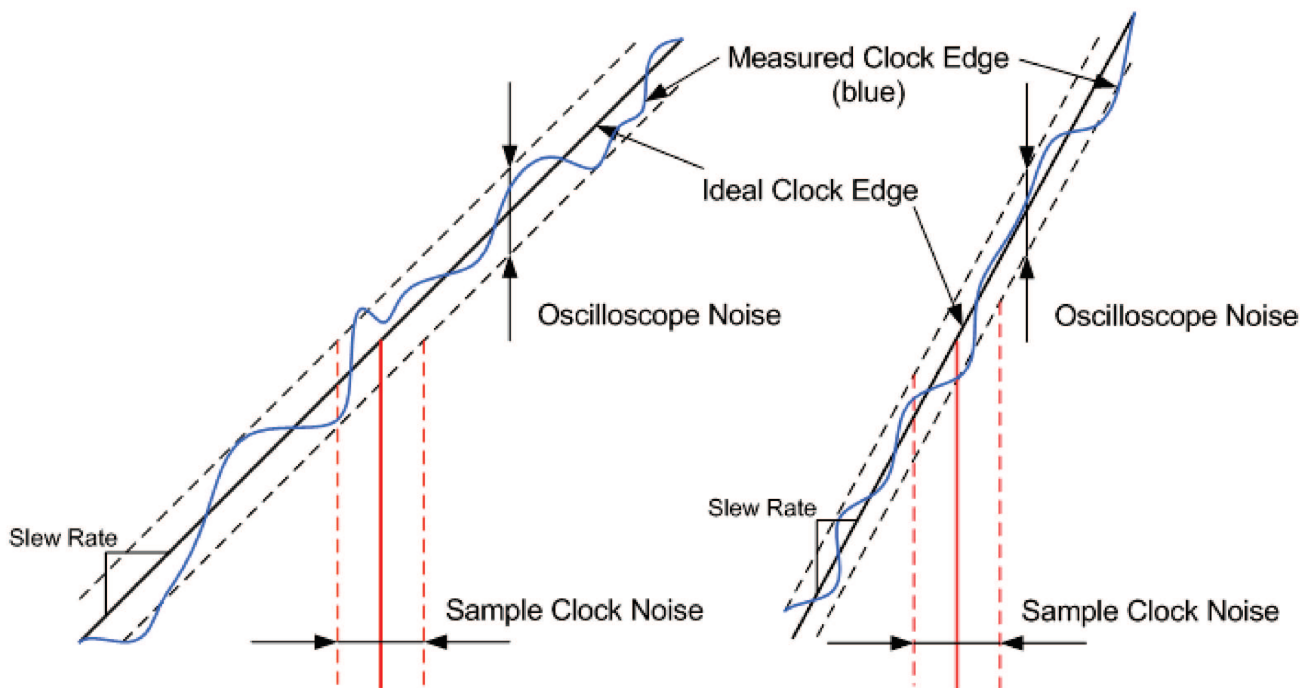


Figure 3. Slew Rate Impact on Measured Clock

In Figure 3 the slew rate of a clock signal was increased whereas the oscilloscope noise is equal. The illustration shows that a signal with a slow slew rate is more susceptible to oscilloscope noise than signals with a high slew rate.

As a consequence, either an oscilloscope which accepts lower slew rate in combination with a very good jitter measurement floor, or a higher signal slew rates has to be used to measure a device with less impact from the oscilloscope. During the device characterization of the CDCM6208 a limiting amplifier (ONET1191P) from TI was used to increase the slew rates of the CDCM6208. The limiting amplifier is called ONET1191P or slew-rate amplifier for the remainder of this document.

## 2 Comparison: Phase Noise Analyzer Versus Oscilloscope

Table 1 summarizes TJ and random (or RMS) jitter measurement test results with the oscilloscope comparing jitter with and without the ONET1191P. As it can be seen using the ONET1191P, the data measurement on the phase noise analyzer (PNA) and the oscilloscope correlates very well.

RJ or RJ with ONET1191P represents the random jitter component of a TJ measurement. TJ or TJ with the ONET1191P represents the TJ measurements. PNA describes the RMS jitter measurements taken with a PNA with an integration range of 10 kHz to 20 MHz.

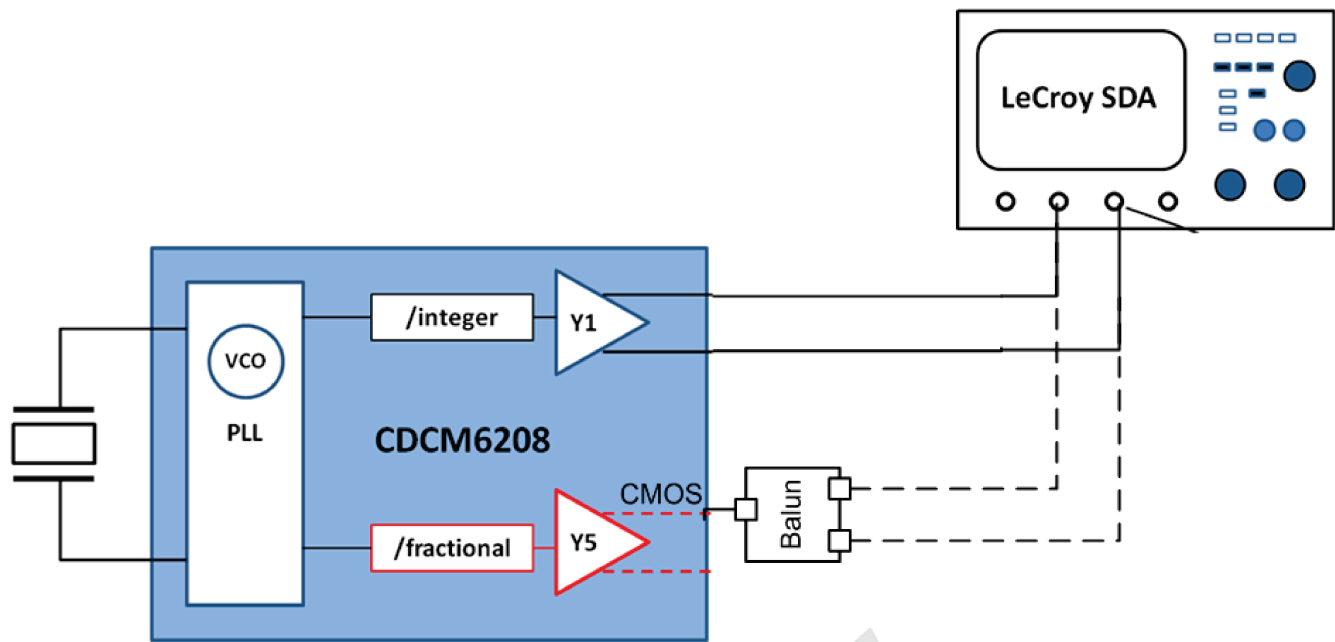
**Table 1. Jitter Measurement**

FREQUENCY (DIVIDER FRACTION)	[ps-rms]	[ps-rms]	[ps-rms]	ps-pp	ps-pp
	PNA <sup>(1)</sup>	RJ	RJ WITH ONET1191P <sup>(1)</sup>	TJ	TJ WITH ONET1191P
122.88 MHz (integer)	0.263	1.252	0.507	18.335	7.722
156.25 MHz (6-bit fractional)	0.474	1.715	0.959	49.356	40.84
156.25 MHz (20-bit fractional)	0.635	2.06	0.773	63.69	54.88
312.50 MHz (integer)	0.255	1.212	0.483	17.763	8.205

<sup>(1)</sup> NOTE: The difference between PNA values and RJ with ONET1191P is because the ONET1191P worsens the signal by its additive jitter

### 3 T<sub>J</sub> Characterization Setup

During TJ characterization of CDCM6208, the setup shown in [Figure 6](#) was used.



**Figure 4. Traditional TJ Measurement Setup**

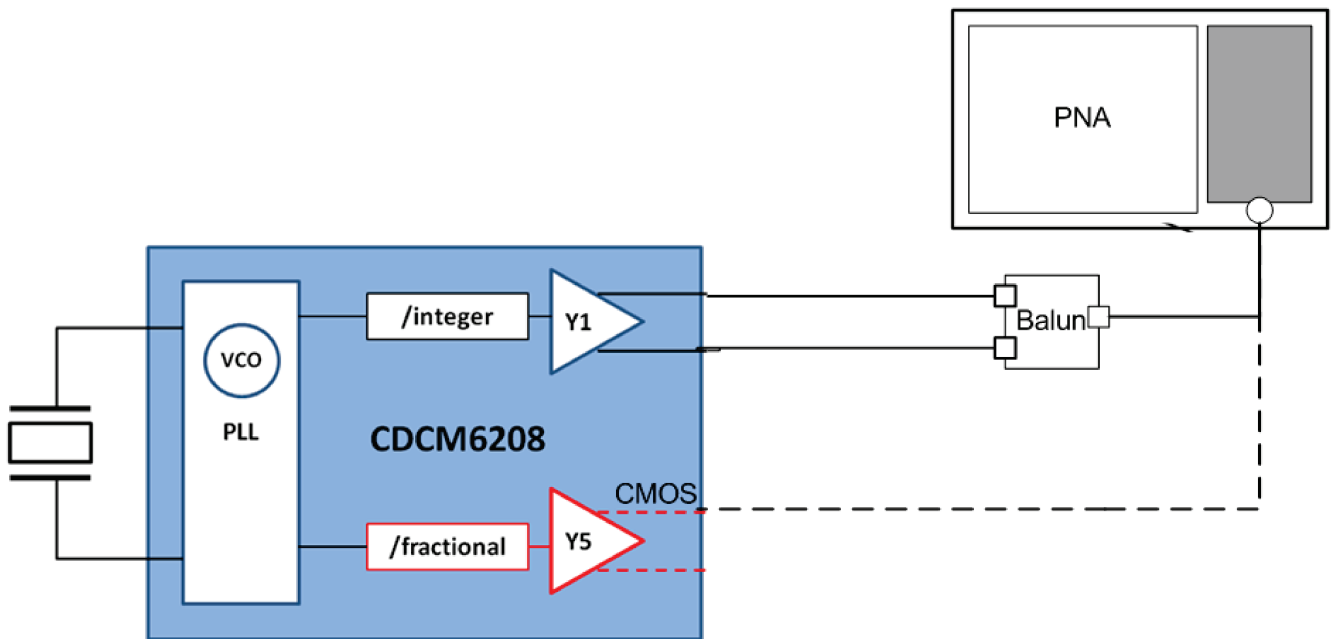


Figure 5. PNA Connection to Measure Random Jitter

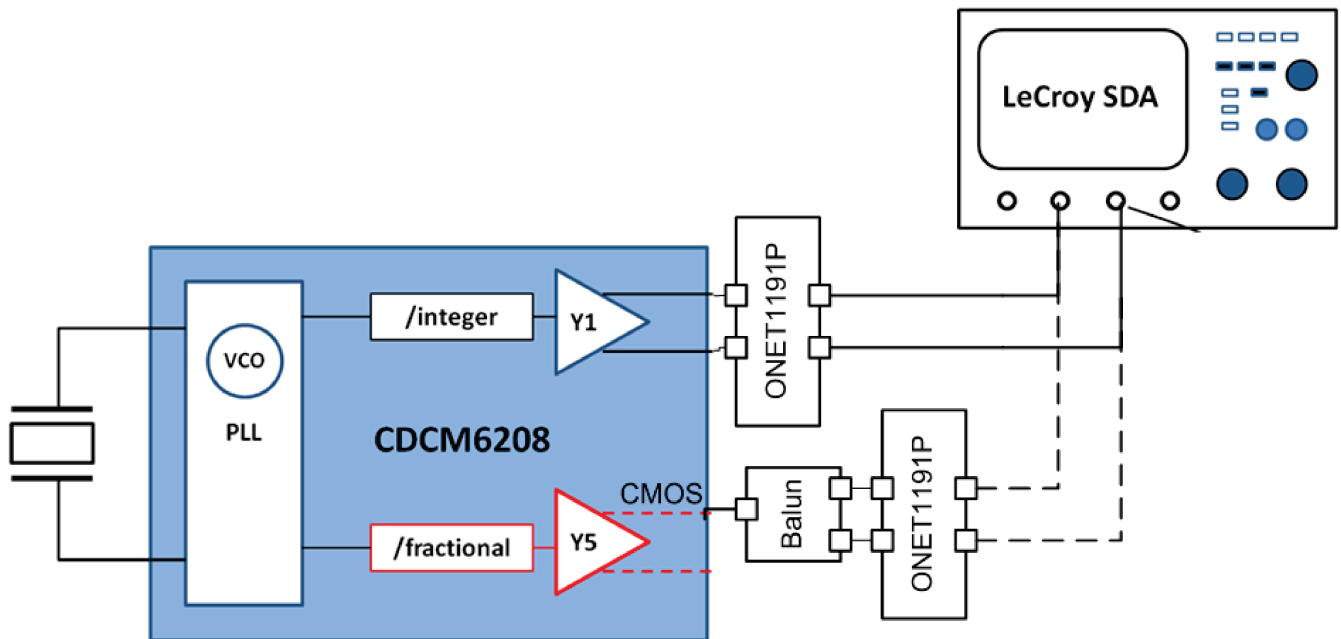


Figure 6. Improved TJ Measurement Setup With ONET1191P

#### 4 Measurement Results

Figure 7 through Figure 14 show the measured results for TJ with and without the ONET1191P with different output frequencies.

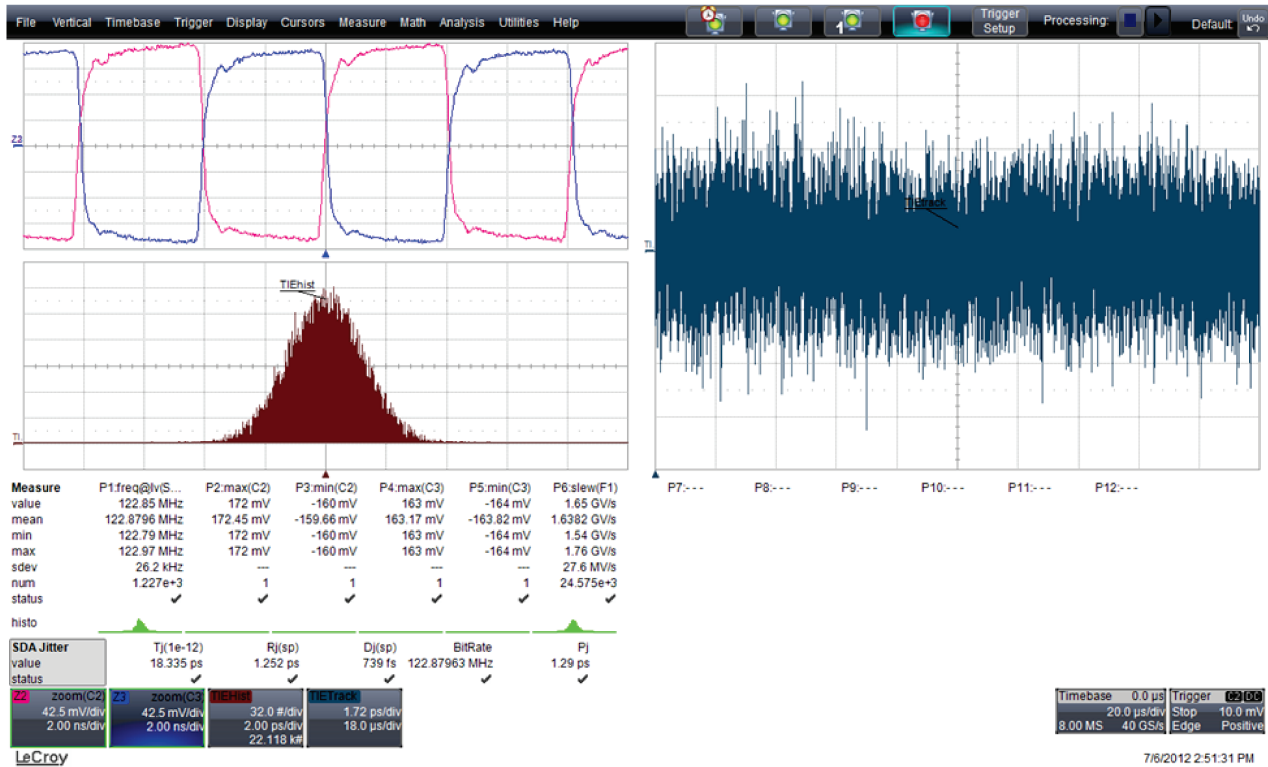


Figure 7. 122.88 MHz (Integer): TJ = 18.335 ps

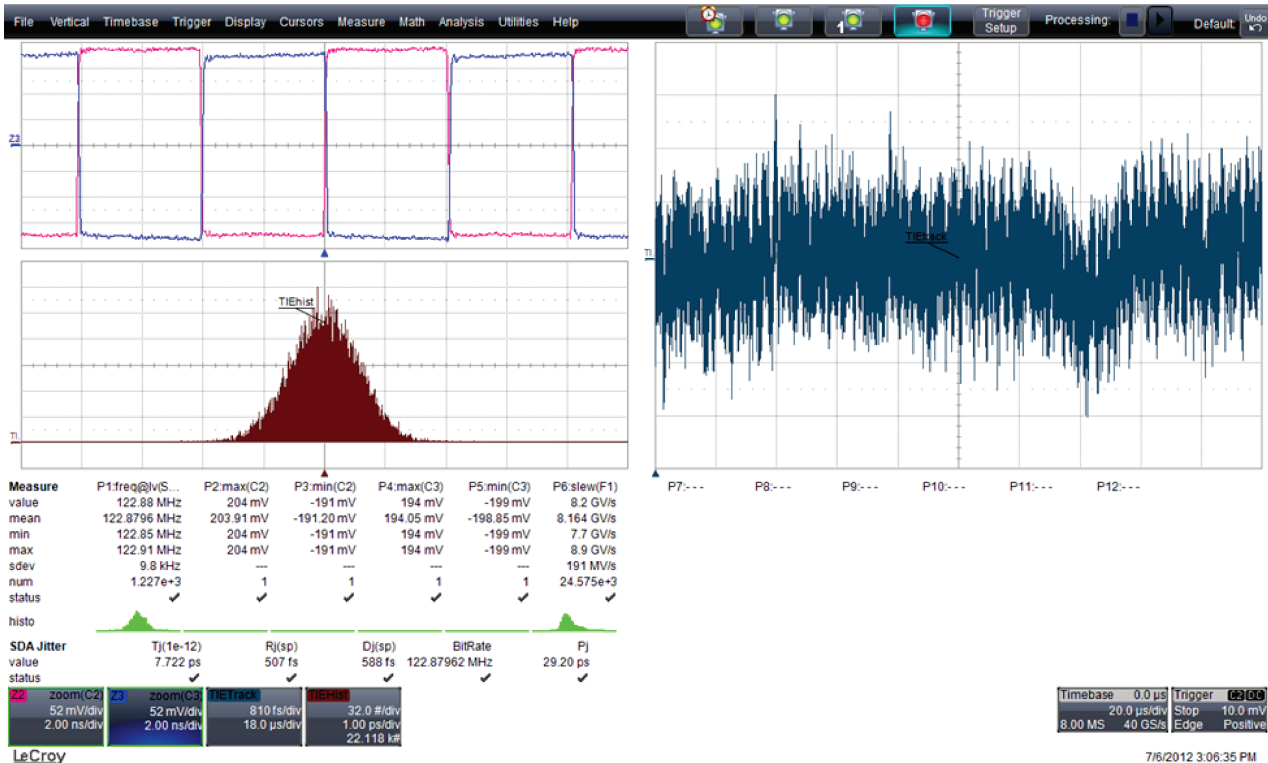


Figure 8. 122.88 MHz (Integer) With ONET1191P: TJ = 7.722 ps

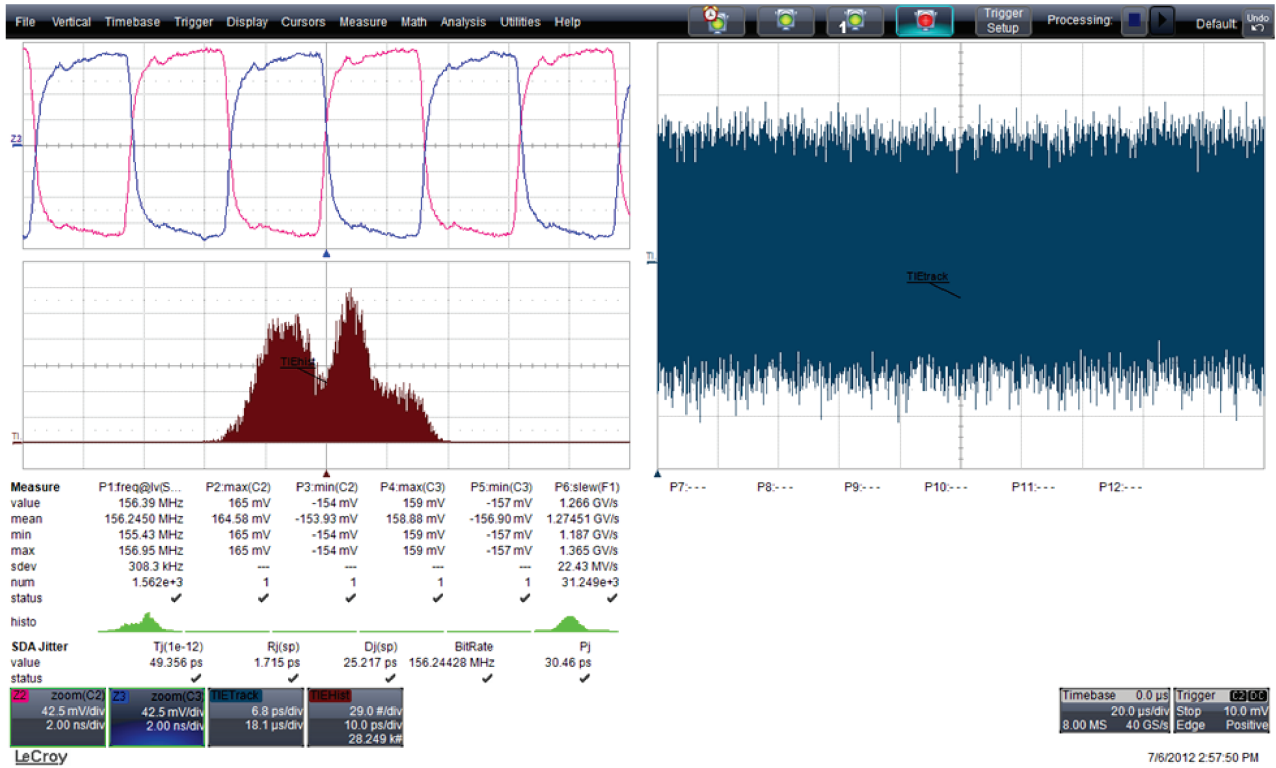


Figure 9. 156.25 MHz (6-Bit Fraction): TJ = 49.356 ps

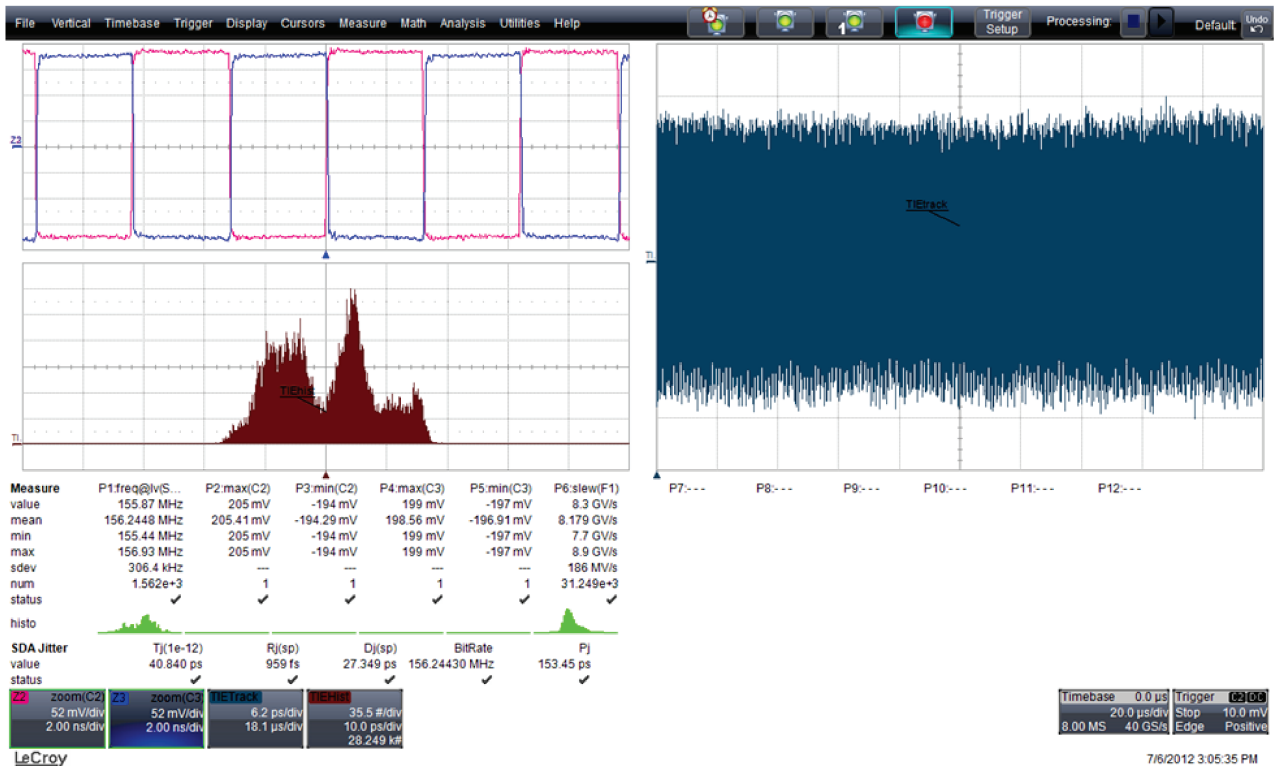


Figure 10. 156.25 MHz (6-Bit Fraction) With ONET1191P: TJ = 40.840 ps

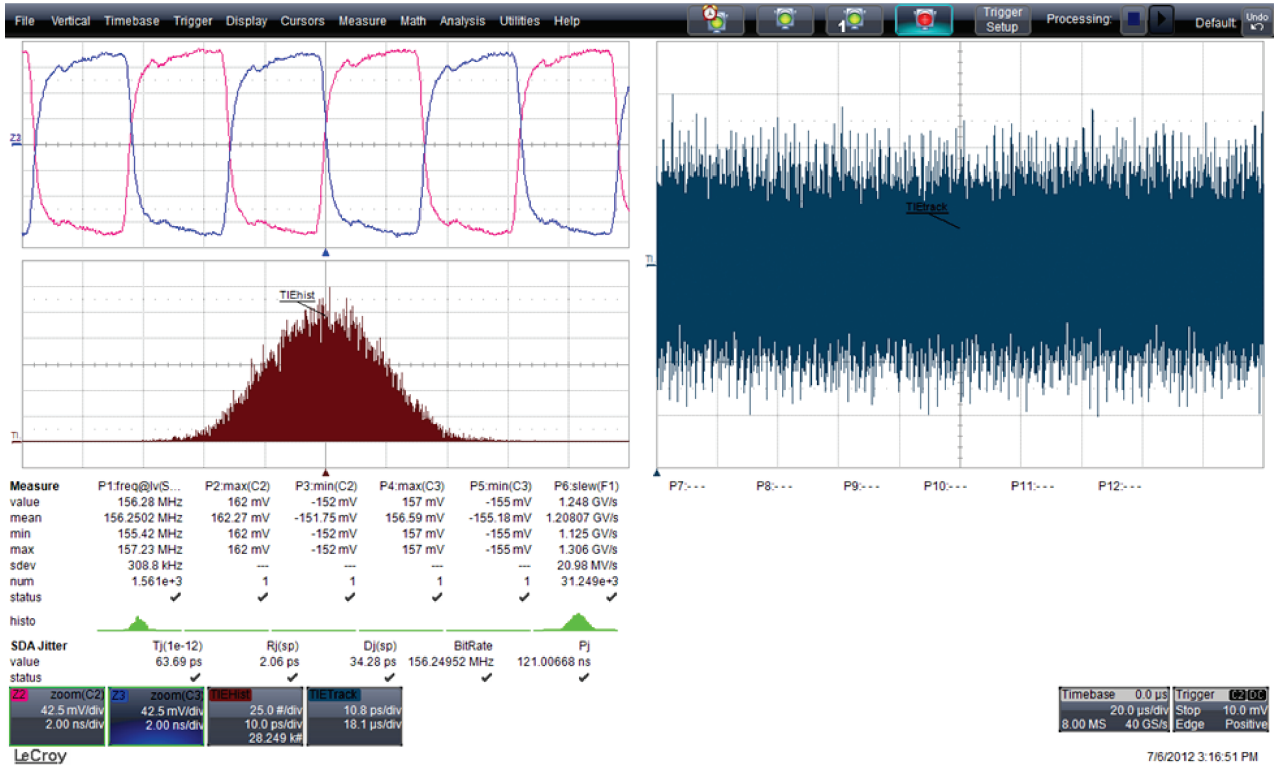


Figure 11. 156.25 MHz (20-Bit Fraction): TJ = 63.69 ps

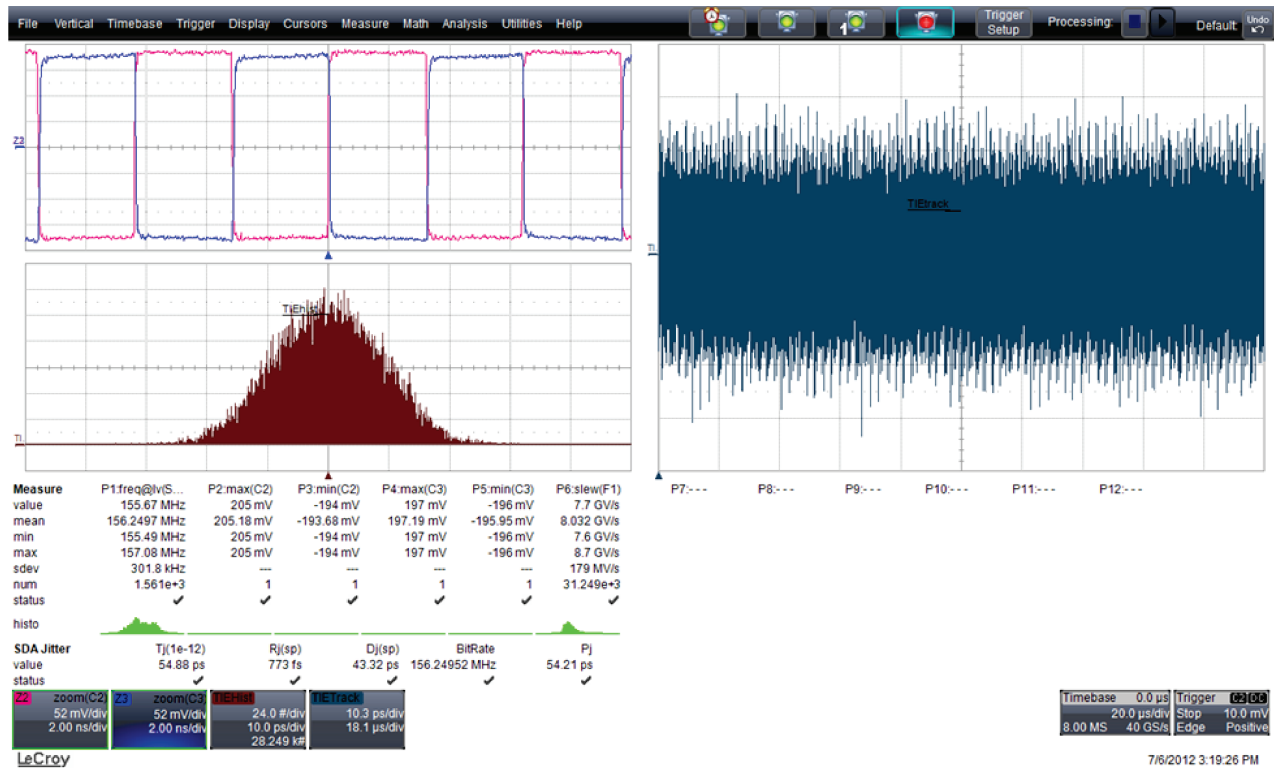


Figure 12. 156.25 MHz (20-Bit Fraction) With ONET1191P: TJ = 54.88 ps



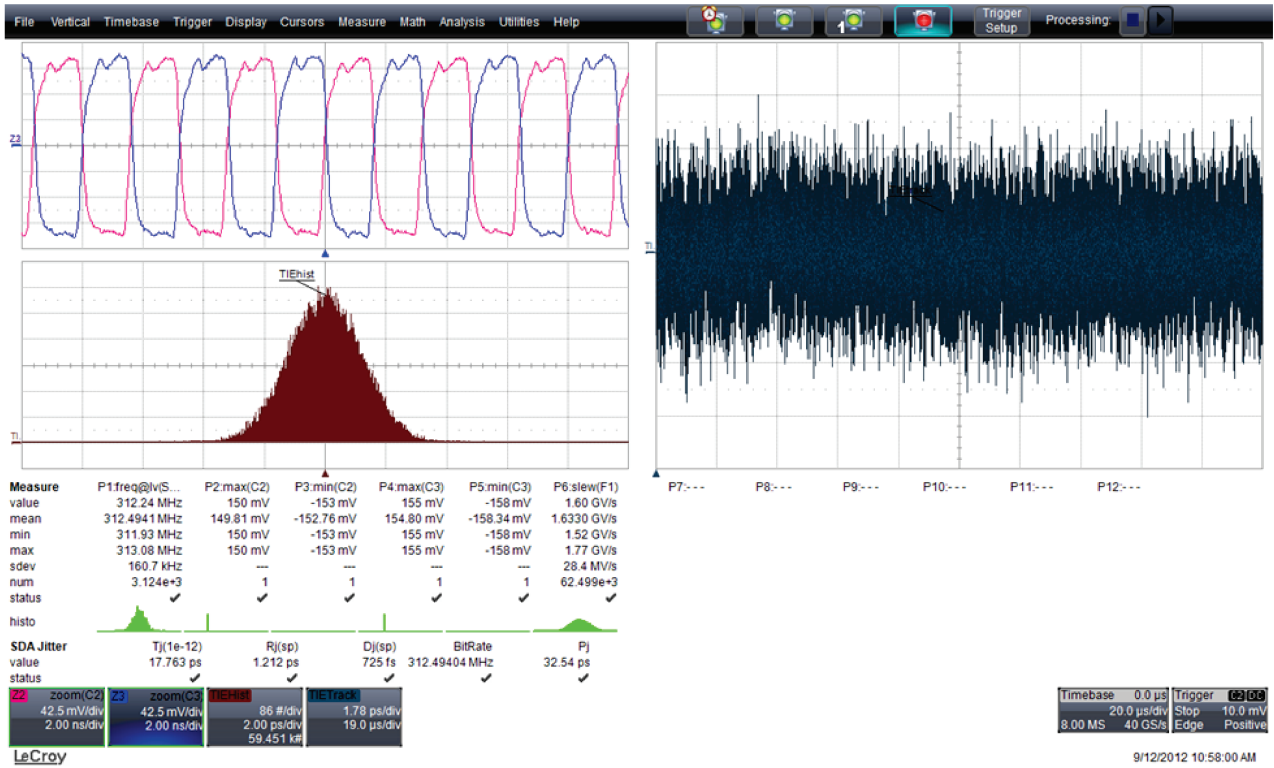


Figure 13. 312.5 MHz (Integer): TJ = 17.763 ps

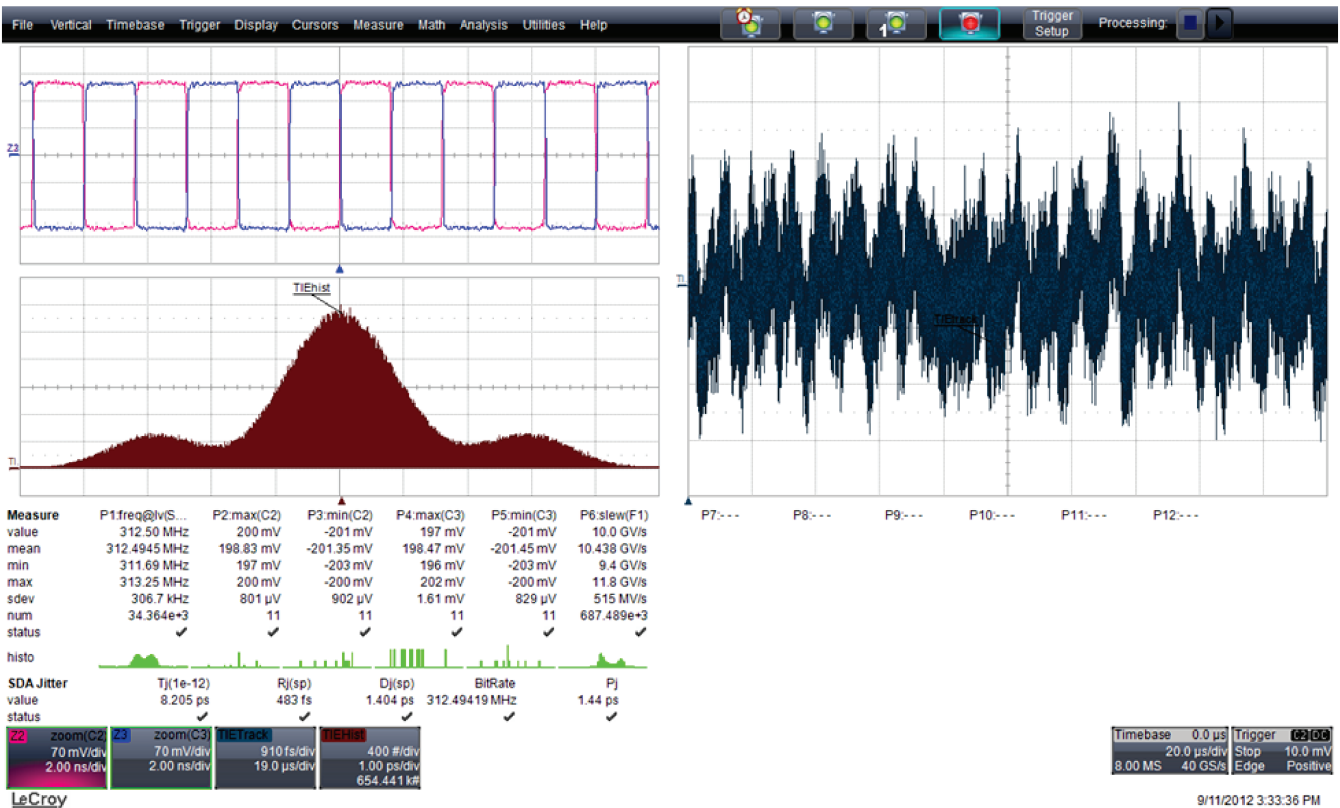


Figure 14. 312.5 MHz (Integer) With ONET1191P: TJ = 8.205 ps

## 5 Slew Rate Amplifier Alternatives

As an alternative to the ONET1191P, any other differential buffer with a rise and fall time smaller than 100 ps can be used.

CDCLVP12xx or LMK00301 could be used as an alternative, but the rise and fall times are still too slow.

Additionally, oscilloscope manufacturer LeCroy has a proprietary solution called SDA-LNES (Low-noise edge sharper).

## 6 Tradeoffs

Using a slew-rate amplifier to lower the oscilloscope noise impact, the random jitter component of the device under test is increased. Each component in the measurement chain worsens the random jitter. The impact can be calculated with this formula:

$$\text{Total Jitter} = \sqrt{(\text{Jitter DUT})^2 + (\text{Jitter Slew Rate Amplifier})^2} \quad (2)$$

High slew rates require oscilloscopes with a high sample rate (at least 40 GSPS) and enough memory to capture a signal over a long time. 40 GSPS means that the oscilloscope measurement point resolution is 25 ps. As an example, a 20 GSPS oscilloscope measures every 50 ps. Due to the fact that the ONET1191P has a typical rise time of 45 ps, a 40-GSPS oscilloscope is mandatory to measure the signal edge correctly. Otherwise, the under sampling effect adds additional jitter to the measurement.

## 7 Digital Serial Analyzer With DPOJET Software

As an example for Jitter measurement, Tektronix 16 GHz 50GS/s Digital Serial Analyzer with DPOJET software can be used for eye width/height and jitter analysis. Common DPOJET measurement parameters configuration used are shown in [Table 2](#). Listed in this instruction set is the recommended process for the eye diagram measurement, using a Tektronix 16-GHz oscilloscope with DPOJET software. This software overlays all the possible unit intervals of data and conducts the horizontal and vertical measurements. The vertical measurement is in terms of voltage and the horizontal is in terms of UI.

**Table 2. DPOJET Measurement Parameters Configuration**

MEASUREMENT	EDGES	CLOCK RECOVERY	RjDj	FILTERS	GENERAL	GLOBAL	BIT CONFIG.
TJ@BER	Data	Method: PLL-Custom PW PLL Mode: Type I Loop BW: FPCLK/40 Apply to All: Apply	Pattern Detection/Control: Manual Pattern Type: Arbitrary Window Length 5UI Target BER: 1 E-10 Apply to All: Apply	HPF (F1) Filter Spec: 2nd Order Freq (F1): FPCLK/40 LPF (F2) Filter Spec: No Filter Apply to All: Apply	Default	Default	—
Width@BER	Data	Same Above	Same Above	Same Above	Default	Default	—
Height	—	—	—	—	Default	Default	Bit Type: All Bit

## 8 Conclusion

Total jitter has to be measured with an oscilloscope that has a reasonable jitter measurement floor smaller than 300 fs. In today's oscilloscopes, an external slew rate amplifier must be used to achieve such low jitter measurement floors.

In addition, the oscilloscope must have at least 40 GSPS to ensure a proper amount of sampling points to measure the fast slew rate of the slew rate amplifier and to prevent under sampling. Take the amount of scope memory into account,  $t$  as well, because the scopes must have a minimum number of samples to calculate TJ.

## 9 References

1. [CDCM6208 2:8 Clock Generator, Jitter Cleaner with Fractional Dividers](#) (SCAS931)
2. [Understanding the Jitter Specification in Oscilloscopes](#); [EETimes](#)
3. SDA-LNES; LeCroy

---

## Revision History

NOTE: Page numbers for previous revisions may differ from page numbers in the current version.

Changes from A Revision (December 2012) to B Revision	Page
• Added the <i>Digital Serial Analyzer With DPOJET Software</i> section .....	10

---

## IMPORTANT NOTICE FOR TI DESIGN INFORMATION AND RESOURCES

Texas Instruments Incorporated ("TI") technical, application or other design advice, services or information, including, but not limited to, reference designs and materials relating to evaluation modules, (collectively, "TI Resources") are intended to assist designers who are developing applications that incorporate TI products; by downloading, accessing or using any particular TI Resource in any way, you (individually or, if you are acting on behalf of a company, your company) agree to use it solely for this purpose and subject to the terms of this Notice.

TI's provision of TI Resources does not expand or otherwise alter TI's applicable published warranties or warranty disclaimers for TI products, and no additional obligations or liabilities arise from TI providing such TI Resources. TI reserves the right to make corrections, enhancements, improvements and other changes to its TI Resources.

You understand and agree that you remain responsible for using your independent analysis, evaluation and judgment in designing your applications and that you have full and exclusive responsibility to assure the safety of your applications and compliance of your applications (and of all TI products used in or for your applications) with all applicable regulations, laws and other applicable requirements. You represent that, with respect to your applications, you have all the necessary expertise to create and implement safeguards that (1) anticipate dangerous consequences of failures, (2) monitor failures and their consequences, and (3) lessen the likelihood of failures that might cause harm and take appropriate actions. You agree that prior to using or distributing any applications that include TI products, you will thoroughly test such applications and the functionality of such TI products as used in such applications. TI has not conducted any testing other than that specifically described in the published documentation for a particular TI Resource.

You are authorized to use, copy and modify any individual TI Resource only in connection with the development of applications that include the TI product(s) identified in such TI Resource. NO OTHER LICENSE, EXPRESS OR IMPLIED, BY ESTOPPEL OR OTHERWISE TO ANY OTHER TI INTELLECTUAL PROPERTY RIGHT, AND NO LICENSE TO ANY TECHNOLOGY OR INTELLECTUAL PROPERTY RIGHT OF TI OR ANY THIRD PARTY IS GRANTED HEREIN, including but not limited to any patent right, copyright, mask work right, or other intellectual property right relating to any combination, machine, or process in which TI products or services are used. Information regarding or referencing third-party products or services does not constitute a license to use such products or services, or a warranty or endorsement thereof. Use of TI Resources may require a license from a third party under the patents or other intellectual property of the third party, or a license from TI under the patents or other intellectual property of TI.

TI RESOURCES ARE PROVIDED "AS IS" AND WITH ALL FAULTS. TI DISCLAIMS ALL OTHER WARRANTIES OR REPRESENTATIONS, EXPRESS OR IMPLIED, REGARDING TI RESOURCES OR USE THEREOF, INCLUDING BUT NOT LIMITED TO ACCURACY OR COMPLETENESS, TITLE, ANY EPIDEMIC FAILURE WARRANTY AND ANY IMPLIED WARRANTIES OF MERCHANTABILITY, FITNESS FOR A PARTICULAR PURPOSE, AND NON-INFRINGEMENT OF ANY THIRD PARTY INTELLECTUAL PROPERTY RIGHTS.

TI SHALL NOT BE LIABLE FOR AND SHALL NOT DEFEND OR INDEMNIFY YOU AGAINST ANY CLAIM, INCLUDING BUT NOT LIMITED TO ANY INFRINGEMENT CLAIM THAT RELATES TO OR IS BASED ON ANY COMBINATION OF PRODUCTS EVEN IF DESCRIBED IN TI RESOURCES OR OTHERWISE. IN NO EVENT SHALL TI BE LIABLE FOR ANY ACTUAL, DIRECT, SPECIAL, COLLATERAL, INDIRECT, PUNITIVE, INCIDENTAL, CONSEQUENTIAL OR EXEMPLARY DAMAGES IN CONNECTION WITH OR ARISING OUT OF TI RESOURCES OR USE THEREOF, AND REGARDLESS OF WHETHER TI HAS BEEN ADVISED OF THE POSSIBILITY OF SUCH DAMAGES.

You agree to fully indemnify TI and its representatives against any damages, costs, losses, and/or liabilities arising out of your non-compliance with the terms and provisions of this Notice.

This Notice applies to TI Resources. Additional terms apply to the use and purchase of certain types of materials, TI products and services. These include; without limitation, TI's standard terms for semiconductor products (<http://www.ti.com/sc/docs/stdterms.htm>), [evaluation modules](#), and [samples](http://www.ti.com/sc/docs/sampterm.htm) (<http://www.ti.com/sc/docs/sampterm.htm>).

Mailing Address: Texas Instruments, Post Office Box 655303, Dallas, Texas 75265  
Copyright © 2017, Texas Instruments Incorporated