

AIRPORT FACILITIES LIST			
EXISTING	FUTURE	FACILITY DESCRIPTION	TOP ELEVATION (MSL)
1	1	PILOTS LOUNGE/TERMINAL BUILDING	3377'
2	2	TIEDOWNS	-
3		FUEL STORAGE	3366'
4	4	VEHICLE PARKING	-
6		BOX HANGAR	3391'
7		BOX HANGAR	3377'
8		BOX HANGAR	3391'
9		BOX HANGAR	3392'
11		BOX HANGAR	3378'
12		BOX HANGAR	3378'
13		BOX HANGAR	3379'
14		BOX HANGAR	3380'
15		BOX HANGAR	3381'
16		T-HANGAR	3381'
17		T-HANGAR	3380'
18		BOX HANGAR	3381'
19		BOX HANGAR	3380'
20		BOX HANGAR	3381'
21		BOX HANGAR	3380'
22		BOX HANGAR	3382'
23		BOX HANGAR	3383'
24		BOX HANGAR	3382'
25		BOX HANGAR	3381'
26		BOX HANGAR	3381'
27		BOX HANGAR	3382'
28		BOX HANGAR	3383'
29		BOX HANGAR	3383'
30		BOX HANGAR	3384'
31		BOX HANGAR	3383'
32		BOX HANGAR	3382'
33		BOX HANGAR	3381'
34		BOX HANGAR	3381'
35		BOX HANGAR	3383'

36		BOX HANGAR	3383'
37		BOX HANGAR	3384'
38		BOX HANGAR	3385'
39		BOX HANGAR	3385'
40		BOX HANGAR	3384'
41		BOX HANGAR	3383'
42		BOX HANGAR	3382'
43		BOX HANGAR	3382'
44		BOX HANGAR	3382'
45		BOX HANGAR	3382'
46		BOX HANGAR	3383'
47		BOX HANGAR	3383'
48		BOX HANGAR	3383'
49		T-HANGAR	TO BE REMOVED
	40	BOX HANGAR (80' x 80')	3385'
	41	BOX HANGAR (50' x 50')	3370'-3371'
	42	BOX HANGAR (50' x 50')	3362'-3363'
	43	BOX HANGAR (50' x 50')	3361'-3362'
	44	BOX HANGAR (50' x 50')	3361'-3362'
	45	BOX HANGAR (50' x 50')	3364'-3365'
	46	BOX HANGAR (50' x 50')	3366'-3367'
	47	BOX HANGAR (50' x 50')	3364'
	49	BOX HANGAR (50' x 50')	3368'
	50	SHADE/T-HANGARS	3390'
	51	SHADE/T-HANGARS	3389'
	52	BOX HANGAR (40' x 40')	3372'
	53	BOX HANGAR (60' x 60')	3385'
	54	BOX HANGAR (80' x 80')	3385'
	55	BOX HANGAR (80' x 80')	3384'
	56	BOX HANGAR (80' x 80')	3384'
	57	BOX HANGAR (80' x 80')	3383'

LEGEND		
	EXISTING	FUTURE/ULTIMATE
AIRPORT PROPERTY BOUNDARY	---	---
AIRCRAFT PAVEMENT	■	■
AIRPORT PAVEMENT MARKINGS	---	---
ROAD (PAVED/GRAVEL)	■	■
TO BE REMOVED	N/A	■
BUILDING/HANGAR	■	■
RUNWAY PROTECTION ZONE (RPZ)	■	■
BUILDING RESTRICTION LINE (25')	---	---
RUNWAY OBJECT FREE AREA (ROFA)	---	---
RUNWAY SAFETY AREA (RSA)	---	---
RUNWAY OBJECT FREE ZONE (ROFZ)	---	---
THRESHOLD SITING SURFACE (TSS)	---	---
APPROACH SURFACE	---	---
GLIDEPATH QUALIFICATION SURFACE	N/A	---
FENCE (8' HEIGHT OR LESS)	---	N/A
ROTATING BEACON	N/A	---
PAPI	N/A	---
WINDCONE/SEGMENTED CIRCLE	---	SAME
AIRPORT REFERENCE POINT	---	---
THRESHOLD LIGHTS	N/A	0000 0000
REILS	N/A	---
ASOS	N/A	---

SPONSOR APPROVAL		
No.	Description	Date
*1	UPDATED PER AIP No. 3-49-0012-05 BY JVIATION, INC.	4/27/16
*2	UPDATED PER AIP No. 3-49-0012-05 BY JVIATION, INC.	12/23/2019

- NOTES:
- BUILDING RESTRICTION LINE (BRL) DEPICTS REQUIRED SETBACKS FOR A TYPICAL 35' STRUCTURE. HEIGHTS OF EXISTING AND FUTURE BUILDINGS WITHIN THE BRL REMAIN CLEAR OF THE OFA'S AND AREA BELOW THE 7:1 TRANSITIONAL SURFACE (OR ARE OBSTRUCTION MARKED AND LIGHTED ACCORDINGLY).
 - ALL HANGARS HAVE AN ASSUMED 21' HEIGHT ADDED TO THE GROUND ELEVATION TO OBTAIN TOP ELEVATION.
 - POST PLANNING RUNWAY 17/35 DEPICTED AS PREFERRED LONG-TERM RUNWAY REALIGNMENT OPTION IN ORDER TO PROTECT AND PLAN FUTURE LANDSIDE DEVELOPMENT.
 - PER 14 CFR PART 77, SURFACE TRANSPORTATION ENTITIES' ELEVATION INCLUDE AN ADJUSTMENT FOR OBSTRUCTION ANALYSES PURPOSES (23 FEET FOR RAILWAYS, 17 FEET FOR INTERSTATE HIGHWAYS, AND 15 FEET FOR ALL OTHER PUBLIC ROADS)

- SOURCE:
- THIS EXHIBIT WAS ORIGINALLY CREATED BY ARMSTRONG CONSULTANTS IN NOVEMBER 2012 AND THIS ISSUE REPRESENTS AN UPDATED GEOMETRY BY JVIATION, INC. TO INCLUDE CHANGES TO THE AIRPORT RESULTING FROM DESIGN AND CONSTRUCTION COMPLETED WITHIN AIP NO. 05
 - OBJECT ELEVATIONS ARE ESTIMATED AND NOT BASED ON A SURVEY
 - PAPIS AND RUNWAY LIGHTING TO BE INSTALLED AT AN INTERIM PERIOD, BEFORE RUNWAY EXTENSION

FAA APPROVAL

CONDITIONALLY APPROVED
SUBJECT TO LETTER DATED _____

FEDERAL AVIATION ADMINISTRATION
DENVER AIRPORTS DISTRICT OFFICE

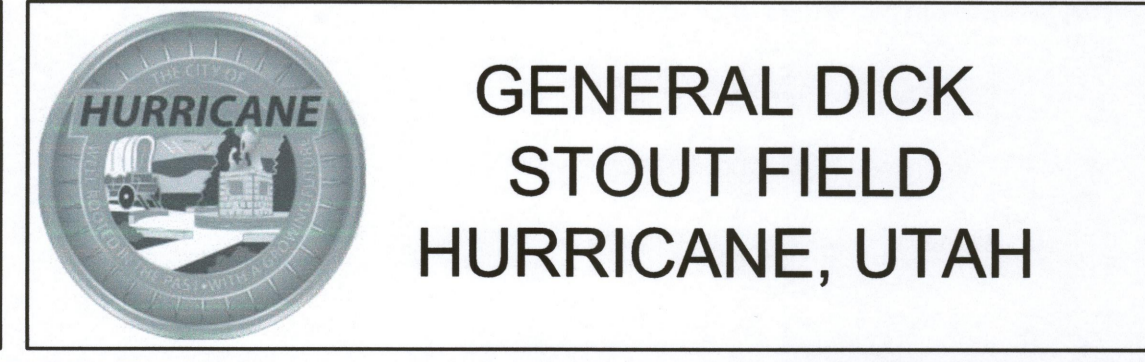
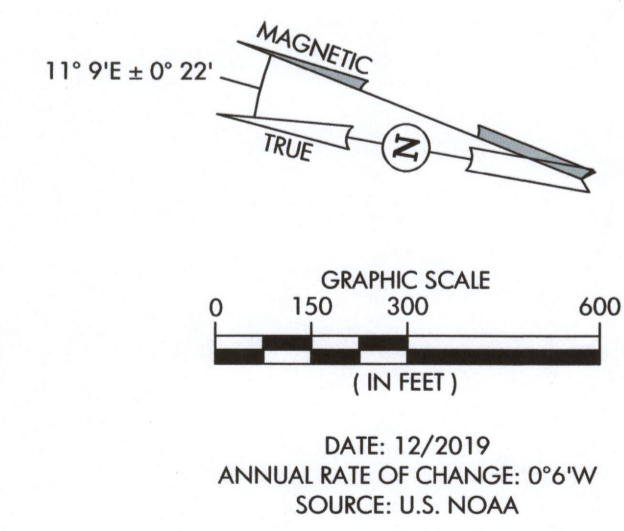
Date _____

CASE NO. _____

SPONSOR APPROVAL

MAYOR, CITY OF HURRICANE

DATE _____



ISSUE RECORD				
NO.	BY	DATE	DESCRIPTION	
1	S.G.J.	DEC 2019	AS-BUILTS WITH FUTURE EDITS	

AIRPORT LAYOUT PLAN

AIRPORT LAYOUT PLAN - EXISTING, FUTURE, AND ULTIMATE		
AIP PROJ. NO.	JVIATION PROJ. NO.	DATE:
3-49-0012-007-2018	2018.1L8.02	FEBRUARY 2020

SHEET NO.
03 of 16