

1252sw Bruno Highneck Sweater



Suggested yarn:

- Pierrot Yarns Bruno [80% merino wool, 20% yak; 102 yds/93m per 1.06 oz./30g skein]; color #04 grass green, 15 skeins [450g]

Tools/Notions:

- 3.0mm (US 2½), 3.6mm (approx. US 5), 3.9mm (approx. US 6) knitting needles or sizes necessary to achieve gauge

Finished measurements:

- bust 102cm/40.16"
- center back neck-to-cuff (with cuffs folded up) 78cm/30.71"
- back length 56cm/22.05"

Gauge (10cm/4" square):

- pattern stitch A: 25 sts and 32 rows
- pattern stitch B: 27 sts and 34 rows

Gauge may vary according to individual knitting style. Change needle size if necessary to achieve gauge. Alternatively, rework pattern with your own gauge measurements.

Summary

Upper body: Cast on with long-tail cast-on method. Starting at cuff, work sideways in pattern stitch A. Bind off.

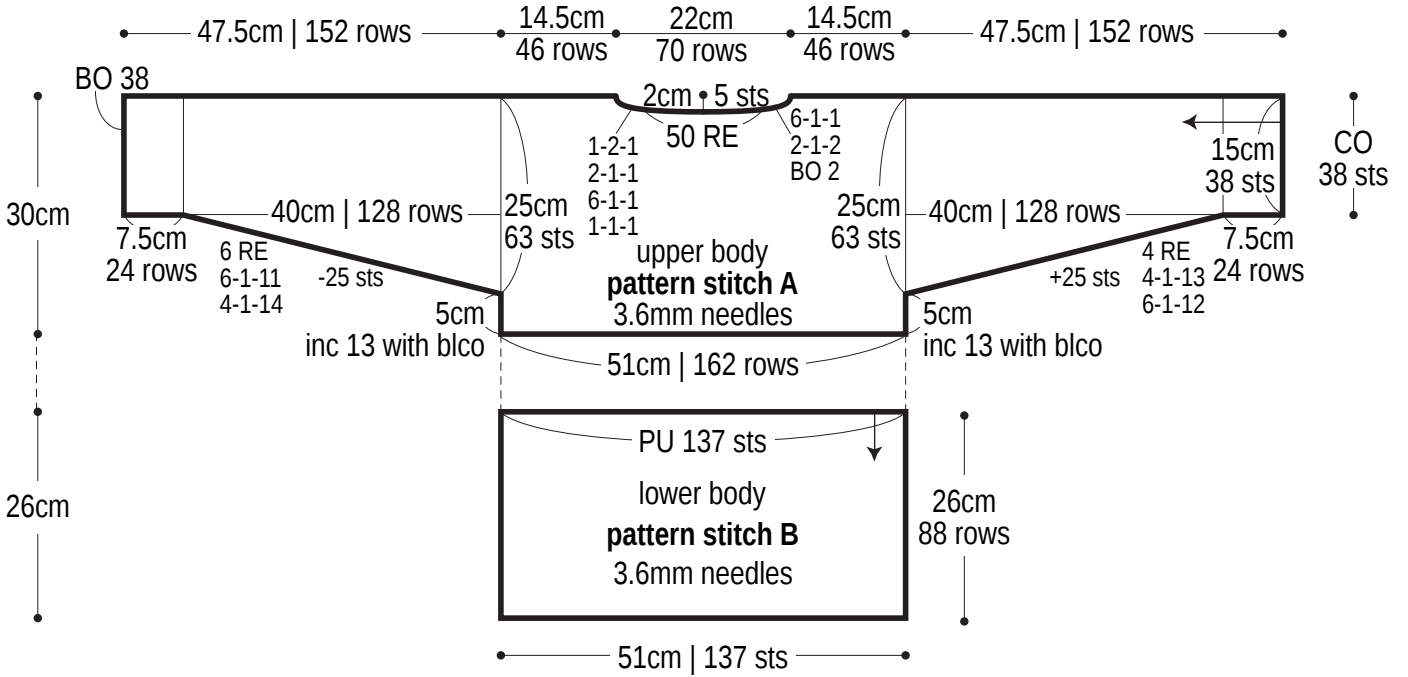
Lower body: Pick up stitches along bottom edge of upper body (not the sleeves). Work downward towards hem in pattern stitch B. Bind off hem in pattern.

Finishing: Seam shoulders with mattress stitch. Pick up stitches around neckline; work collar in pattern stitch B in the round. Bind off in pattern. Pick up stitches around each cuff; work cuff edging in k1p1 ribbing in the round. Bind off in pattern. Seam sides and sleeve undersides with mattress stitch, taking care to seam cuffs while they're folded up (that is, seam them on the wrong side).

Abbreviations:

blco = backwards loop cast-on
BO = bind off
CO = cast on
inc = increase
k = knit
p = purl
PU = pick up
RE = row(s) even
#-#-# = rows-stitches-times

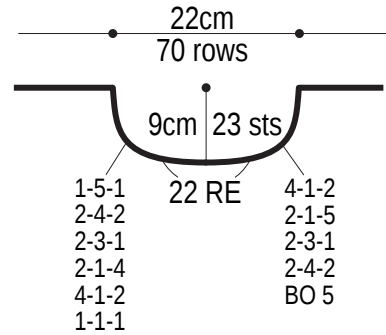
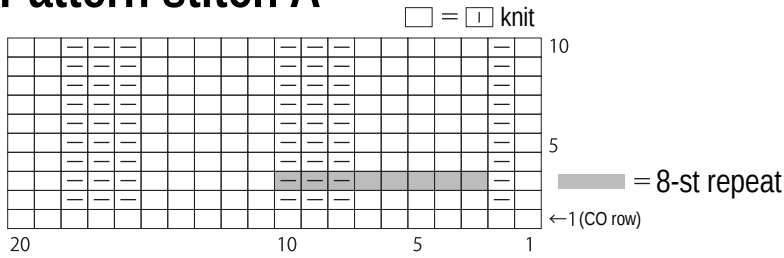
Back



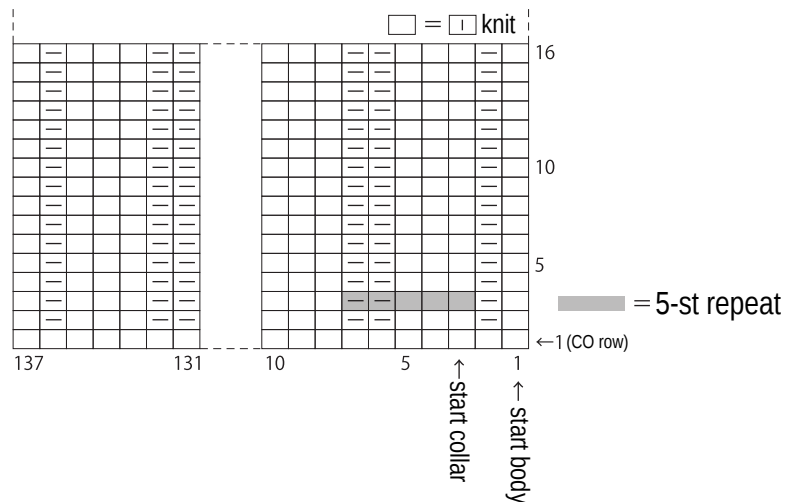
Front: neckline

*Other than collar, front is identical to back.

Pattern stitch A



Pattern stitch B



Finishing

