

219ss-04 Rocco Puff Sleeve Sweater



Suggested yarn:

- Pierrot Yarns Rocco Botanical [100% organic cotton; 87 yds/80m per 1.06 oz./30g skein]; color #05 avocado, 11 skeins [310g]

Tools/Notions:

- 3.0mm (US 2½), 3.3mm (approx. US 3), and 3.6mm (approx. US 4) knitting needles or sizes necessary to achieve gauge
- cable needle

Finished measurements:

- bust 90cm/35.4"
- cross back width 34cm/13.4"
- back length 56cm/22.0"
- sleeve length 29cm/11.4"

Gauge (10cm/4" square):

- pattern stitch: 27 sts and 32 rows

Gauge may vary according to individual knitting style. Change needle size if necessary to achieve gauge. Alternatively, rework pattern with your own gauge measurements.

Summary

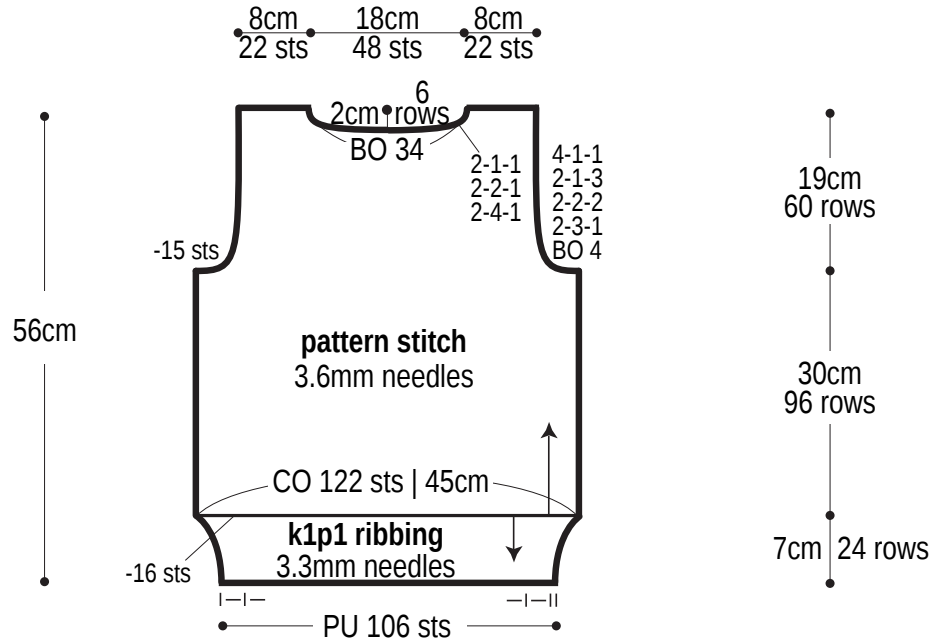
Body & sleeves: Cast on with long-tail cast-on method. Work in pattern stitch. Pick up stitches from cast-on edge; work welt in k1p1 ribbing. Bind off in pattern.

Finishing: Seam shoulders with crochet slip stitch seam. Pick up stitches around neckline; work collar in k1p1 ribbing in the round. Bind off in pattern. Seam sides and sleeve undersides with mattress stitch (one continuous seam per side of body/sleeve). Set sleeve into armhole, gathering the sleeve cap as you do. Seam sleeve into armhole with crochet slip stitch seam.

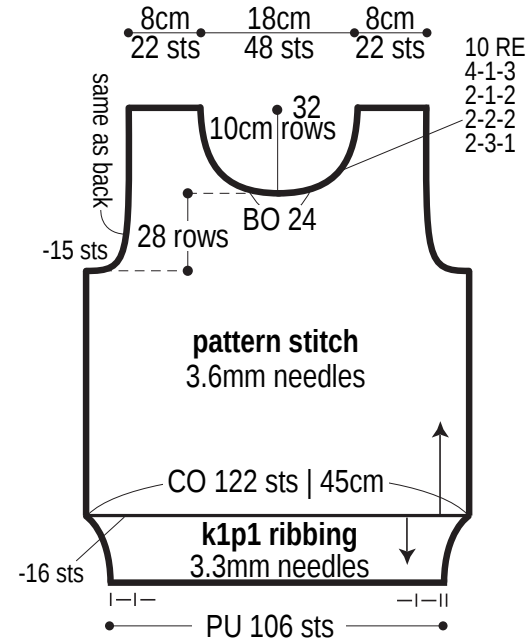
Abbreviations:

BO = bind off CO = cast on k = knit k2tog = knit 2 stitches together p = purl PU = pick up RE = row(s) even ssk = slip, slip, knit YO = yarn over
#-#-# = rows-stitches-times

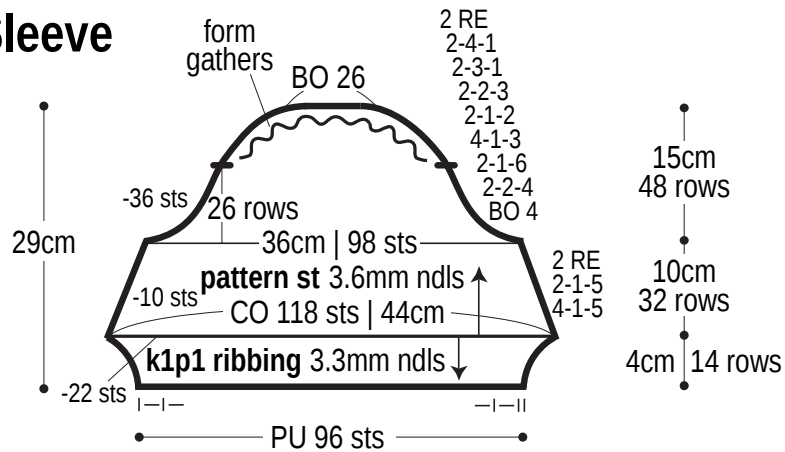
Back



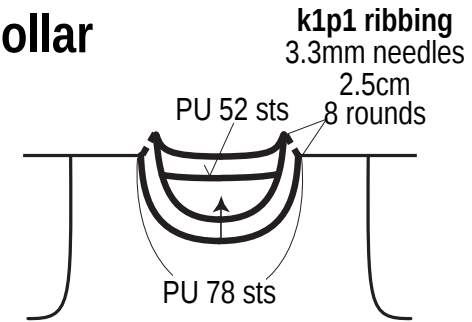
Front



Sleeve

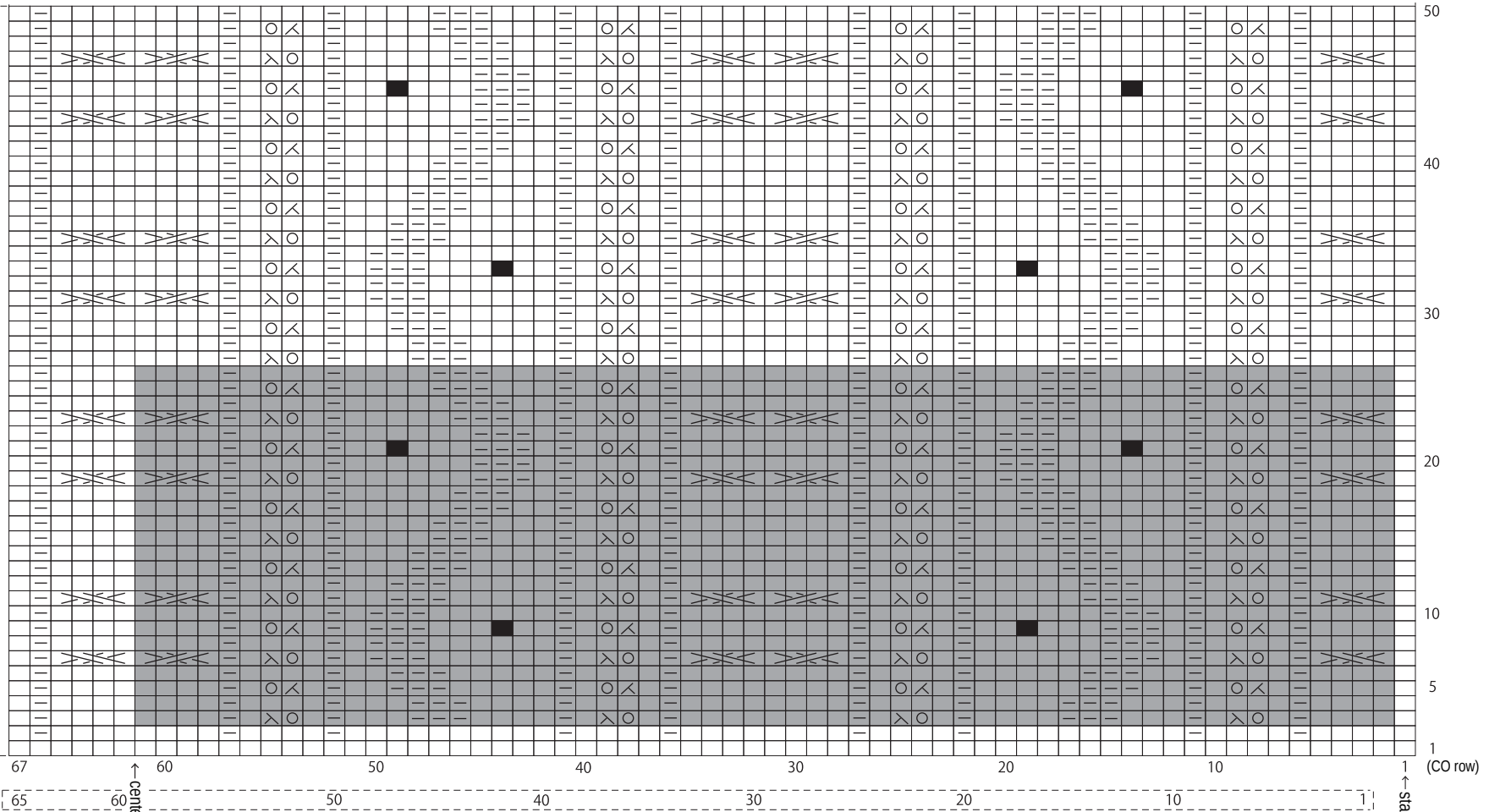


Collar



Pattern stitch

□ = □ knit

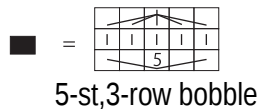


*Center as marked is the same for all pieces (back, front, & sleeves).

Use QR code on smartphone to view a video tutorial about to work the 5-st, 3-row bobble.

SEARCH

*To view on computer, search on the Pierrot Yarns website or YouTube channel instead.



- = YO
- ⊗ = ssk
- ⊗ = k2tog

■ = 1 repeat (60 sts & 24 rows)

- ⚡ = C4F
- ⚡ = C4B

← start sleeve

← start body