

218w-02 Royal Collar Pullover



Suggested yarn:

- Pierrot Yarns Junmo Namibuto2/Pure Wool [100% superwash wool; 79 yds/72m per 1.41 oz./40g skein]; color #206 teal green, 13 skeins [510g]

Tools/Notions:

- 4.2mm (approx. US 6) and 4.5mm (US 7) knitting needles or sizes necessary to achieve gauge
- cable needle

Finished measurements:

- bust 91cm/35.83"
- center back neck-to-cuff 78cm/30.71"
- back length 45.5cm/17.91"

Gauge (10cm/4" square):

- pattern stitch A: 18 sts and 27 rows

Gauge may vary according to individual knitting style. Change needle size if necessary to achieve gauge. Alternatively, rework pattern with your own gauge measurements.

Summary

Body (front & back): Cast on with long-tail cast-on method. Work in garter stitch and then in pattern stitch A. Shape raglan edges by working fully fashioned decreases (worked 1 stitch in from the edge).

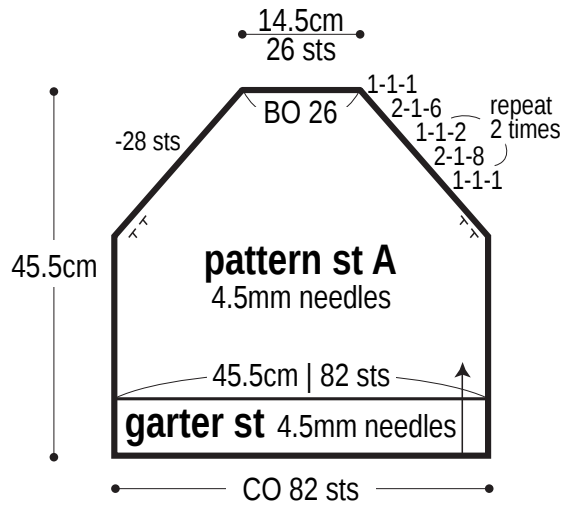
Sleeve (make 2): Cast on with long-tail cast-on method. Work in garter stitch and then in pattern stitch A. Shape sleeve edges by working fully fashioned lifted increases (worked 1 stitch in from the edge). For each sleeve, work the side of the sleeve cap which will show on the front of the garment in pattern stitch B (see schematic). Shape raglan edges which will show on back of garment using decreases at the edge; shape raglan edges which will show on front of garment by working decreases in pattern stitch A at the edge.

Finishing: Seam raglan edges of body & sleeves using mattress stitch. On each side of body, seam side and sleeve with one continuous mattress stitch seam, taking care to seam the cuff of the sleeve from the wrong side (see schematics). Pick up stitches around neckline; work collar in garter stitch in the round. Bind off.

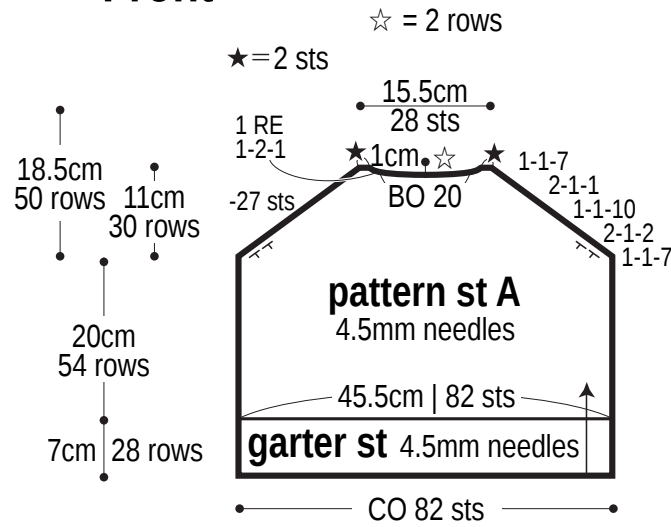
Abbreviations:

BO = bind off CO = cast on PU = pick up RE = row(s) even #-#-# = rows-stitches-times

Back

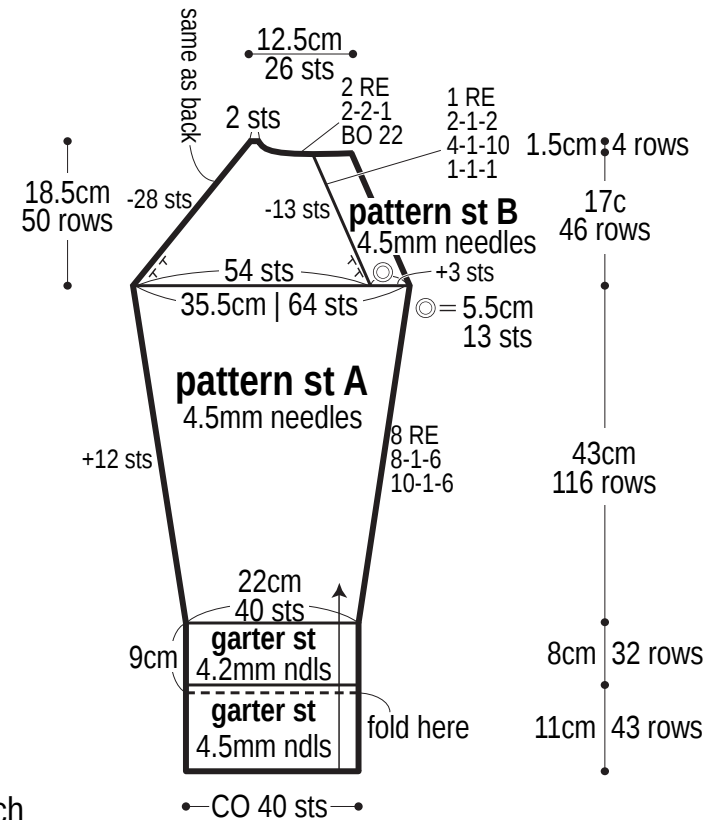


Front

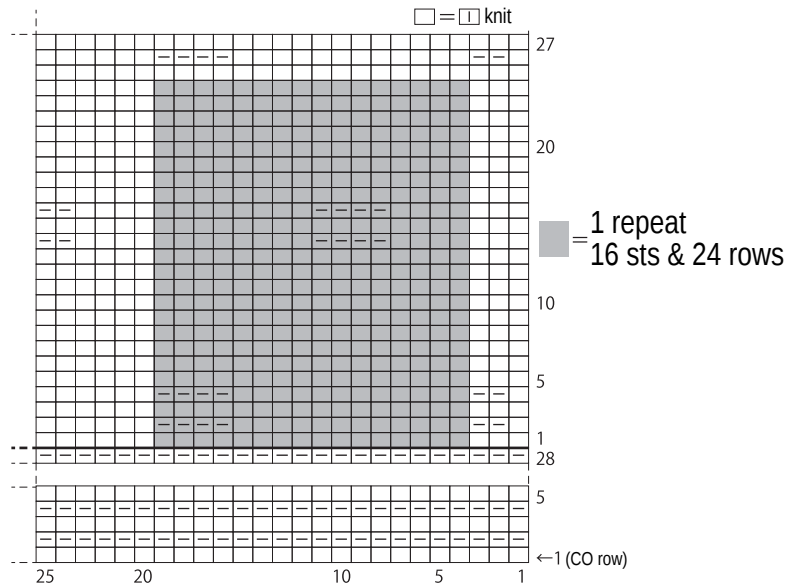


Right sleeve

※Reverse shaping for left sleeve.

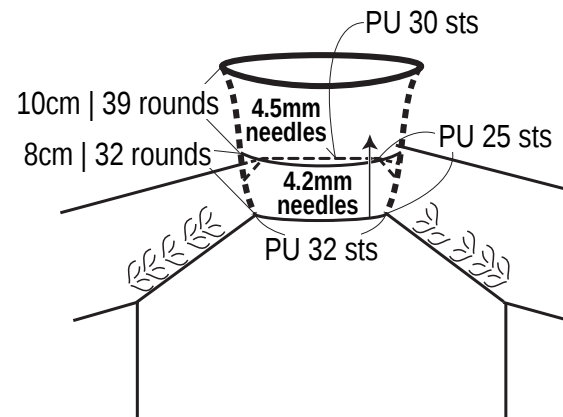


Body (front & back)

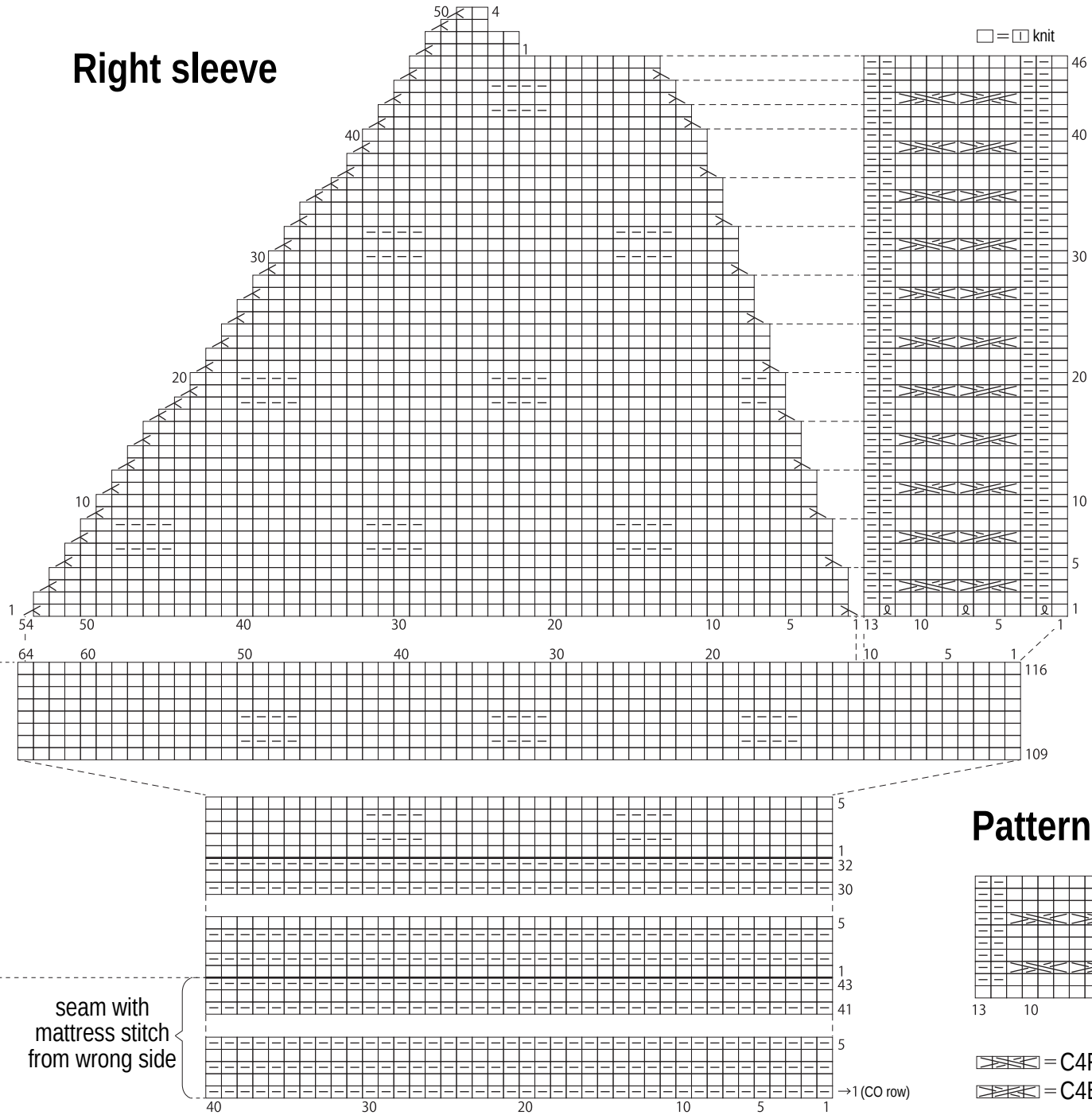


Collar

garter stitch



Right sleeve



Pattern stitch B

