

219s-04 Madonna Irregular Hem Top



Suggested yarn:

- Pierrot Yarns Madonna [100% cotton; 112 yds/102m per 1.41 oz./40g skein]; color #01 magenta pink, 7 skeins [260g]

Tools/Notions:

- 4.2mm (approx. US 6) knitting needles or size necessary to achieve gauge
- 3.0mm (approx. US C or D) crochet hook or size necessary to achieve gauge
- 1 button (10mm/0.4" diameter)

Finished measurements:

- bust 93cm/36.6"
- center back neck-to-cuff 33.5cm/13.2"
- back length 61cm/24.0"

Gauge (10cm/4" square):

- pattern stitch: 21 sts and 29 rows

Gauge may vary according to individual knitting style. Change needle size if necessary to achieve gauge. Alternatively, rework pattern with your own gauge measurements.

Summary

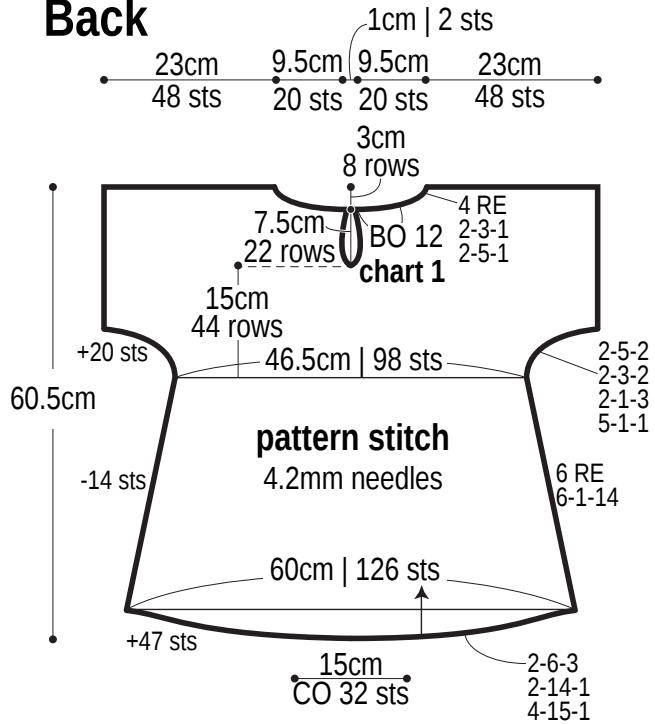
Body: Cast on with long-tail cast-on method. Work in pattern stitch. Cast on additional stitches at left front hem and sleeves using backwards loop cast-on increase. For center of front hem, crochet a chain and save until needed. Work left front hem through row 13 and then place all stitches on a stitch holder. With another ball of yarn, work right front hem for 14 rows (which is a mirror image of left front hem), then pick up and work sts from bottom loops of crochet chain (to form center front). After picking up stitches from crochet chain, work live stitches of left front hem from stitch holder (or return to needles). Work rest of front according to schematic.

Finishing: Seam shoulders with crochet slip stitch seam. Seam sides with mattress stitch. Seam sleeve undersides with Kitchener stitch. Crochet edging in the round around hem, neckline, and cuffs, respectively. Refer to finishing schematic for keyhole opening on back neckline.

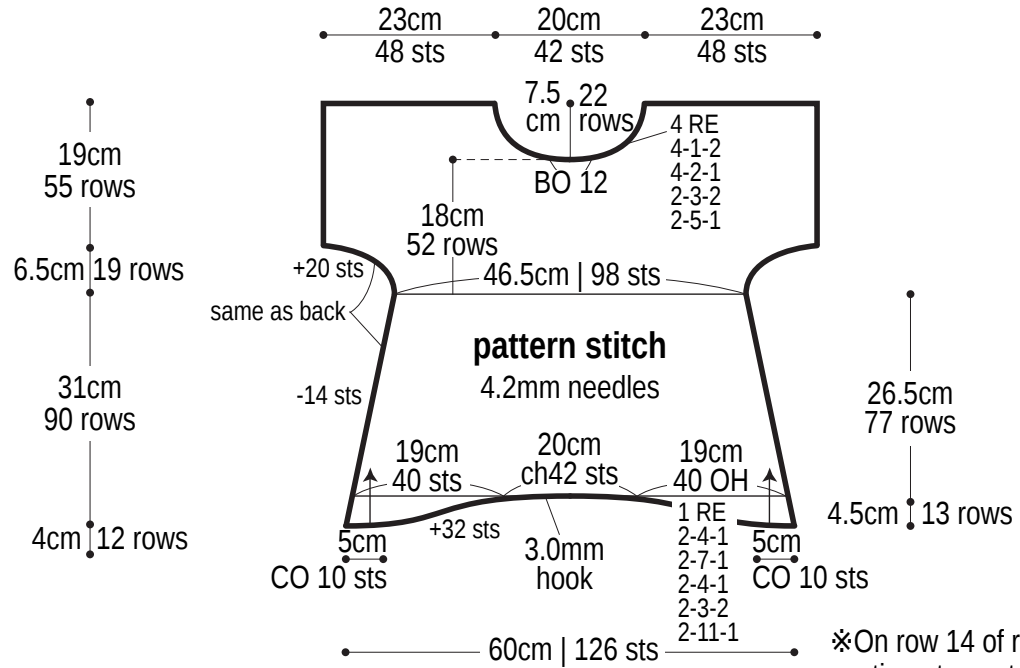
Abbreviations:

BO = bind off ch = chain stitch CO = cast on OH = on hold (that is, place on stitch holder) RE = row(s) even sc2tog = single crochet (US) 2 stitches together
#-#-# = rows-stitches-times

Back

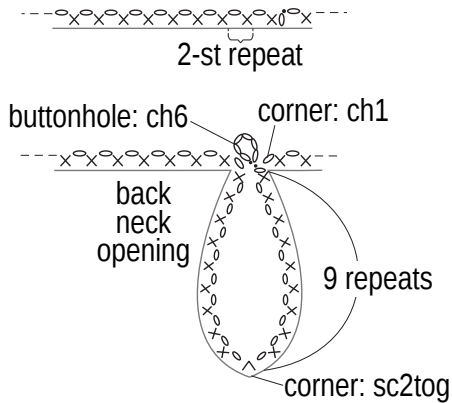


Front

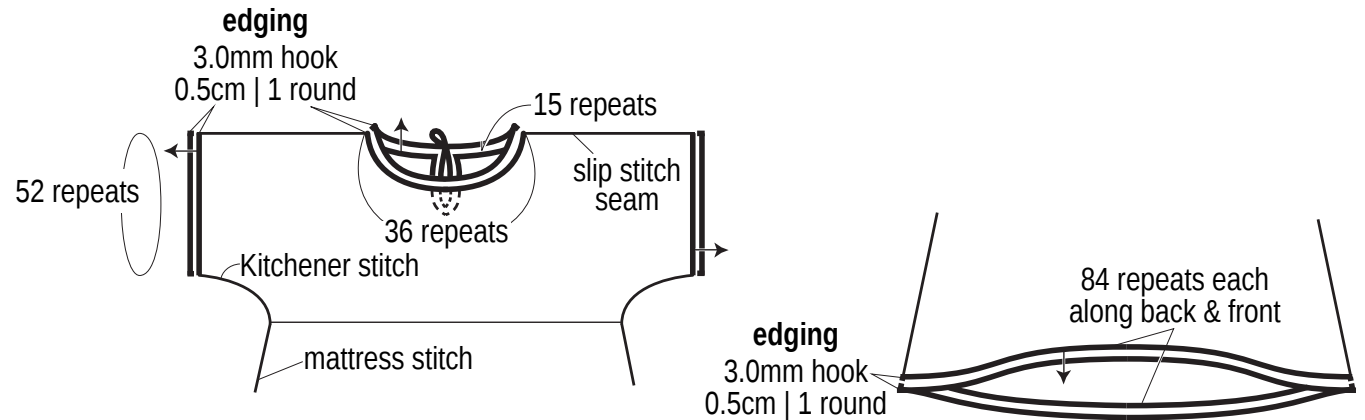


*On row 14 of right front hem, continue to center by picking up and working sts from bottom loops of crochet chain, then work the 40 sts on hold for the left front hem.

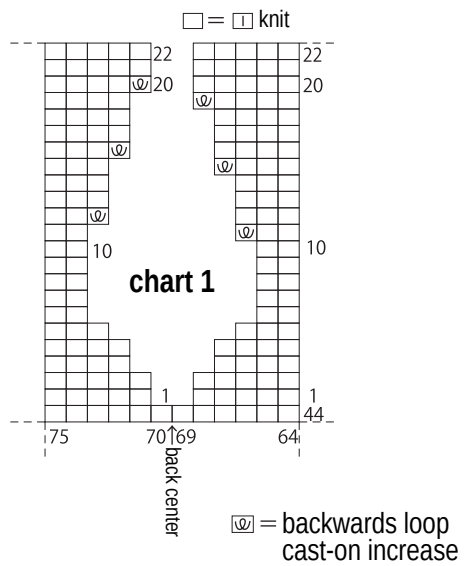
Edging



Finishing



Back keyhole opening



Pattern stitch

