

# 217aw-04 Back Slit Sweater



## Suggested yarn:

- Pierrot Yarns Junmo Chuboso/Pure Wool Fingering [50% wool, 50% merino wool; 164 yds/150m per 1.41 oz./40g skein];
  - color #410 indigo, 9 skeins [330g]

## Tools/Notions:

- 2.7mm (approx. US 2), 3.0mm (US 3), and 3.3mm (approx. US 4) knitting needles or sizes necessary to achieve gauge

## Finished measurements:

- bust 96cm/37.80"
- center back neck-to-cuff 71.5cm/28.15"
- back length 50cm/19.69"

## Gauge (10cm/4" square):

- pattern stitch: 26 sts and 45 rows
- k2p2 ribbing: 30 sts and 40 rows

*Gauge may vary according to individual knitting style. Change needle size if necessary to achieve gauge. Alternatively, rework pattern with your own gauge measurements.*

## Summary

**Right back:** Cast on with long-tail cast-on method. Work in k2p2 ribbing, then continue in pattern stitch.

**Left back:** Work as mirror image of right back.

**Front:** Cast on with long-tail cast-on method. Work in k2p2 ribbing, then continue in pattern stitch.

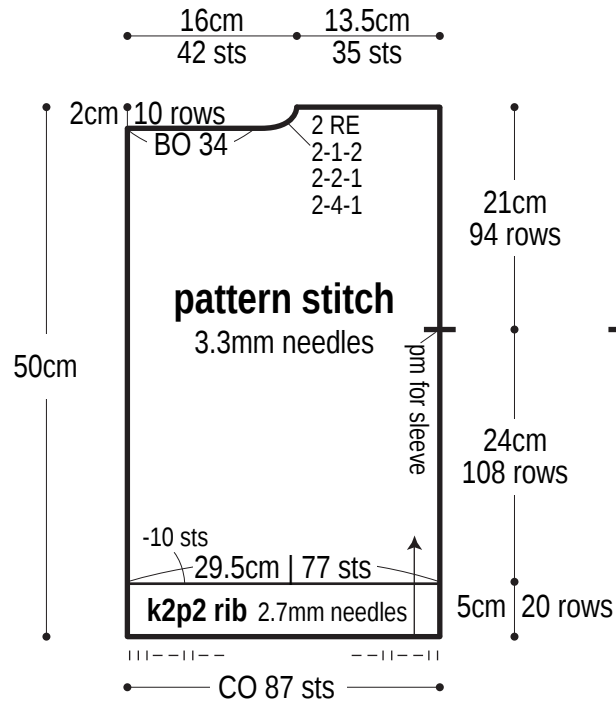
**Sleeve (make 2):** Cast on with long-tail cast-on method. Work in k2p2 ribbing, then continue in pattern stitch. Bind off.

**Finishing:** Seam shoulders with crochet slip stitch seam. Pick up sts around neckline; work collar in p3k2 ribbing. (Overlap left back over right back as shown in schematic; pick up back neckline sts in this overlapped section through both layers.) Bind off in pattern. Seam sleeves to body with crochet slip stitch seam. Seam sides and sleeve undersides with mattress stitch.

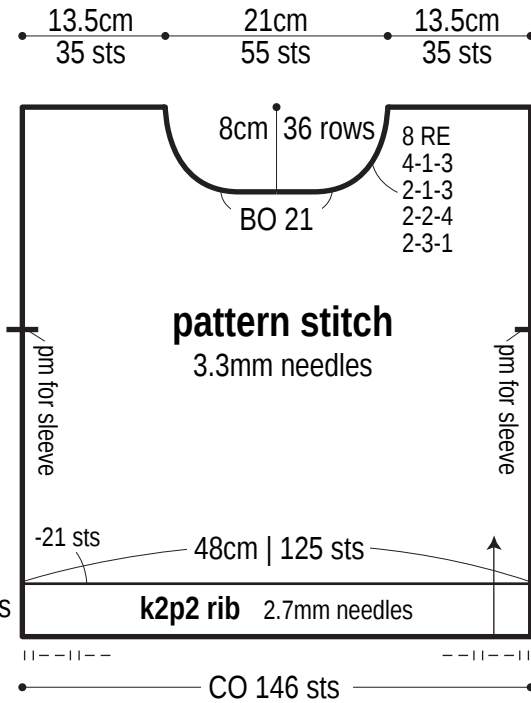
## Abbreviations:

BO = bind off    CO = cast on    k = knit    p = purl    PU = pick up    RE = row(s) even    #-#-# = rows-stitches-times

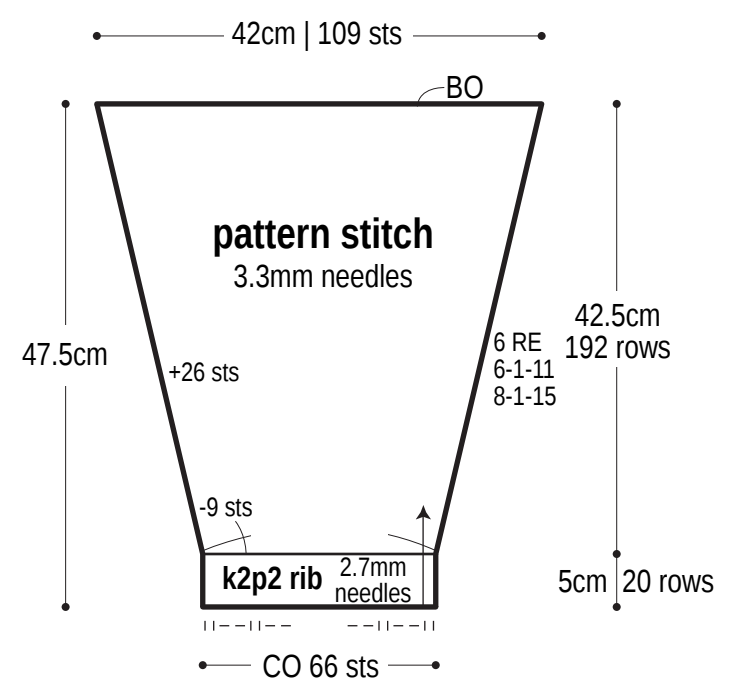
## Right back



## Front

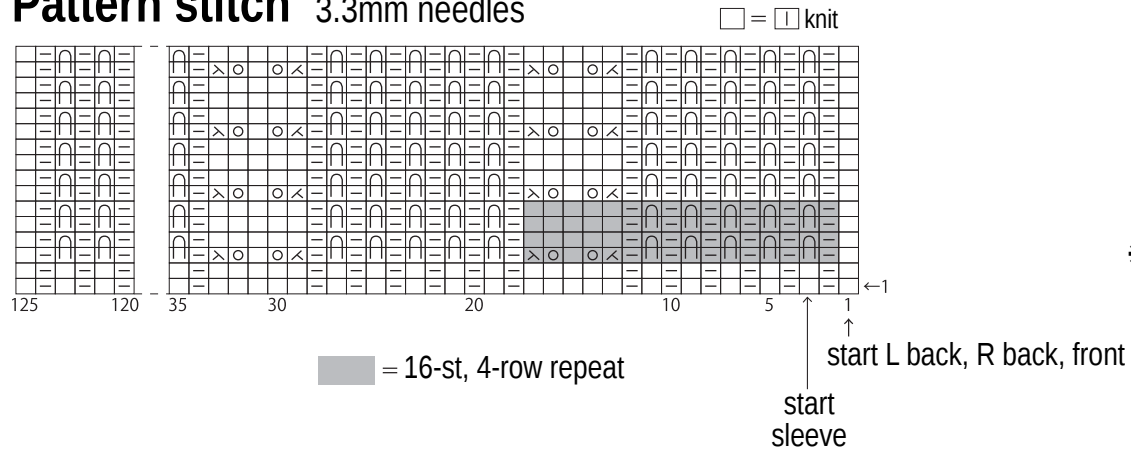


## Sleeve

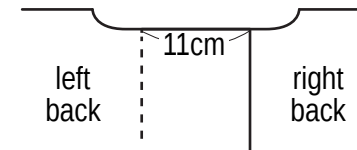


✳Reverse shaping of right back for left back.

## Pattern stitch 3.3mm needles

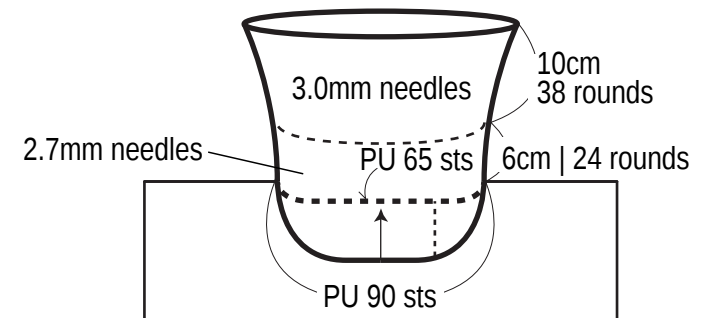


## Back neckline overlap



※Overlap back pieces with left back on top.

## Collar: p3k2 ribbing



Use QR code on smartphone to view a video tutorial about how to work the brioche stitch used in the pattern stitch.



※To view on computer, search on the Pierrot Yarns website or YouTube channel instead.

