

# 1262pull Tiara Tee



## Suggested yarn:

- Pierrot Yarns Cotton Neat S Lamé Tiara [95% cotton, 5% polyester; 96 yds/88m per 1.41 oz./40g skein]; color #02 yellow, 11 skeins [420g]

## Tools/Notions:

- 3.5mm (US E) crochet hook or size necessary to achieve gauge

## Finished measurements:

- bust 90cm/35.4"
- center back neck-to-cuff (with sleeve uncuffed) 46.5cm/18.3"
- back length 45cm/17.7"

## Gauge (10cm/4" square):

- pattern stitch: 21 sts and 12 rows

*Gauge may vary according to individual crochet style. Change hook size if necessary to achieve gauge. Alternatively, rework pattern with your own gauge measurements.*

## Summary

✳️**Note:** Like all Japanese patterns, stitch counts given here for foundation chains do not include any chain sts needed for turning posts.

**Body (make 2):** Work foundation chain to begin, then work in pattern stitch. Seam shoulders with chain seam (alternating chain st and slip st as needed to maintain pattern).

**Sleeve (make 2):** Join yarn at marker for sleeve. Work sleeve in pattern stitch.

**Finishing:** Seam sleeves and sides with chain seam. Crochet edging in the round around neckline and cuffs, respectively. Fold cuffs up as desired.

### Abbreviations:

ch = chain

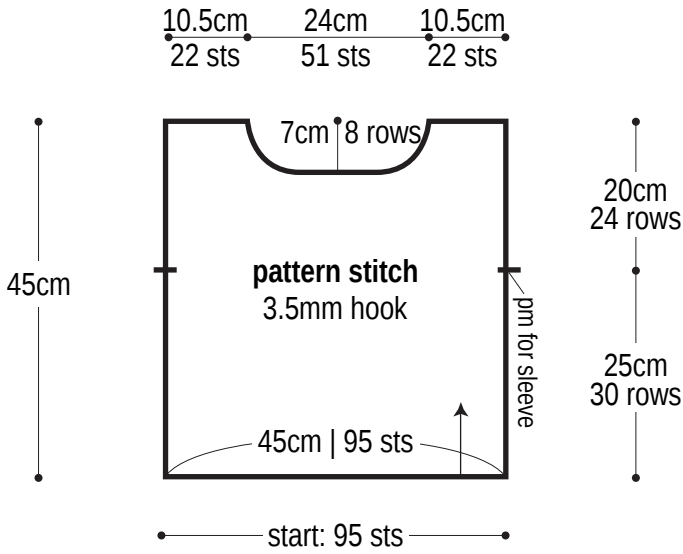
fp = front post

pm = place marker

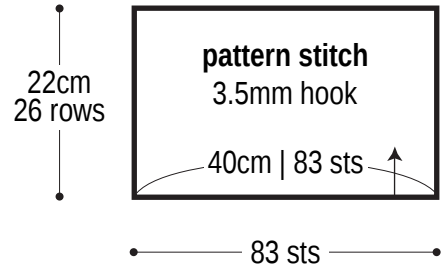
sc = single crochet (US)

tbl = through back loop

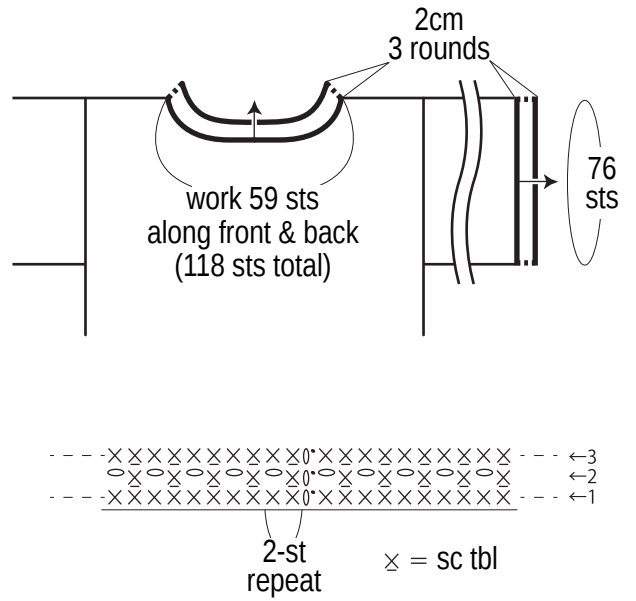
# Body (make 2)



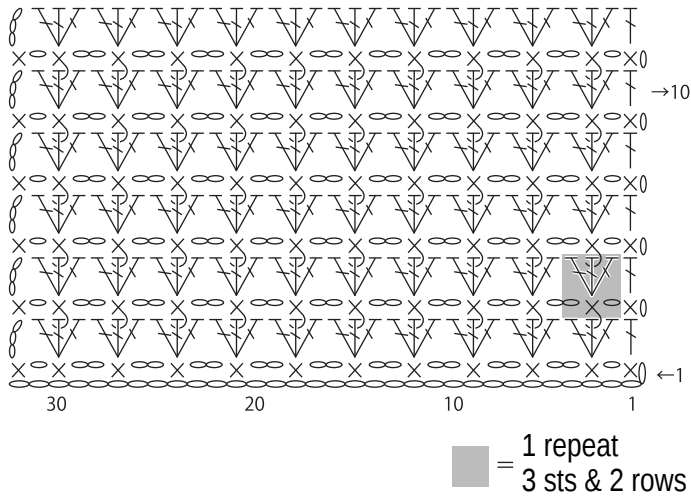
# Sleeve



# Edging 3.5mm hook



# Pattern stitch $\otimes = fp\ sc$



# Neckline

