

Operator Manual

**SIX9 cal. 9x19mm**

**SIX45 cal. .45 ACP**

manufactured by B&T AG, Switzerland



B&T AG  
Tempelstrasse 6  
3608 Thun / Switzerland  
Tel: +41 33 334 67 00  
info@bt-ag.ch  
www.bt-ag.ch

TM-95330.01

# Operator Manual SIX

**READ THE INSTRUCTIONS AND WARNINGS IN THIS MANUAL CAREFULLY BEFORE USING THIS FIREARM; DO NOT DISCARD THIS MANUAL.**

This instruction manual should always accompany this firearm and be transferred with it upon ownership, or when the firearm is loaned or presented to another person.

Certain states require, by law, that their own specified warning notices, in larger-than-normal type be conspicuously included by the manufacturer, distributor, or retail dealer with firearms sold in that state. B&T USA sells its products in compliance with applicable laws and regulations. Because our products may be sold in these states, we include the following:

## CALIFORNIA:

WARNING "Children are attracted to and can operate firearms that can cause severe injuries or death. Prevent child access by always keeping guns locked away and unloaded when not in use. If you keep a loaded firearm where a child obtains and improperly uses it, you may be fined or sent to prison."

## CONNECTICUT:

"UNLAWFUL STORAGE OF A LOADED FIREARM MAY RESULT IN IMPRISONMENT OR FINE."

## FLORIDA:

"IT IS UNLAWFUL, AND PUNISHABLE BY IMPRISONMENT AND FINE, FOR ANY ADULT TO STORE OR LEAVE A FIREARM IN ANY PLACE WITHIN THE REACH OR EASY ACCESS OF A MINOR UNDER 18 YEARS OF AGE OR TO KNOWINGLY SELL OR OTHERWISE TRANSFER OWNERSHIP OR POSSESSION OF A FIREARM TO A MINOR OR A PERSON OF UNSOUND MIND."

## MAINE:

"ENDANGERING THE WELFARE OF A CHILD IS A CRIME. IF YOU LEAVE A FIREARM AND AMMUNITION WITHIN EASY ACCESS OF A CHILD, YOU MAY BE SUBJECT TO FINE, IMPRISONMENT OR BOTH. KEEP FIREARMS AND AMMUNITION SEPARATE. KEEP FIREARMS AND AMMUNITION LOCKED UP. USE TRIGGER LOCKS."

## MARYLAND:

"WARNING: Children can operate firearms which may cause death or serious injury. It is a crime to store or leave a loaded firearm in any location where an individual knew or should have known that an unsupervised minor would gain access to the firearm. Store your firearm responsibly!"

## MASSACHUSETTS:

"WARNING FROM THE MASSACHUSETTS ATTORNEY GENERAL: This handgun is not equipped with a device that fully blocks use by unauthorized users. More than 200,000 firearms like this one are stolen from their owners every year in the United States. In addition, there are more than a thousand suicides each year by younger children and teenagers who get access to firearms. Hundreds more die from accidental discharge. It is likely that many more children sustain serious wounds, or inflict such wounds accidentally on others. In order to limit the chance of such misuse, it is imperative that you keep this weapon locked in a secure place and take other steps necessary to limit the possibility of theft or accident. Failure to take



reasonable preventative steps may result in innocent lives being lost, and in some circumstances may result in your liability for these deaths.”

“IT IS UNLAWFUL TO STORE OR KEEP A FIREARM, RIFLE, SHOTGUN OR MACHINE GUN IN ANY PLACE UNLESS THAT WEAPON IS EQUIPPED WITH A TAMPER RESISTANT SAFETY DEVICE OR IS STORED OR KEPT IN A SECURELY LOCKED CONTAINER.”

NEW JERSEY:

“IT IS A CRIMINAL OFFENSE TO LEAVE A LOADED FIREARM WITHIN EASY ACCESS OF A MINOR.”

NEW YORK CITY, NY:

“THE USE OF A LOCKING DEVICE OR SAFETY LOCK IS ONLY ONE ASPECT OF RESPONSIBLE FIREARMS STORAGE. FOR INCREASED SAFETY, FIREARMS SHOULD BE STORED UNLOADED AND LOCKED IN A LOCATION THAT IS BOTH SEPARATE FROM THEIR AMMUNITION AND INACCESSIBLE TO CHILDREN AND OTHER UNAUTHORIZED PERSONS.”

NORTH CAROLINA:

Any person who resides in the same premises as a minor, owns or possesses a firearm, and stores or leaves the firearm

(I) in a condition that the firearm can be discharged and (II) in a manner that the person knew or should have known that an unsupervised minor would be able to gain access to the firearm, is guilty of a Class 1 misdemeanor if a minor gains access to the firearm without the lawful permission of the minor’s parents or a person having charge of the minor and the minor:

- (1) Possesses it in violation of G.S. 14-269.2(b)
- (2) Exhibits it in a public place in a careless, angry, or threatening manner;
- (3) Causes personal injury or death with it not in self-defense; or
- (4) Uses it in the commission of a crime.

TEXAS:

“IT IS UNLAWFUL TO STORE, TRANSPORT, OR ABANDON AN UNSECURED FIREARM IN A PLACE WHERE CHILDREN ARE LIKELY TO BE AND CAN OBTAIN ACCESS TO THE FIREARM.”

WISCONSIN:

“IF YOU LEAVE A LOADED FIREARM WITHIN THE REACH OR EASY ACCESS OF A CHILD YOU MAY BE FINED OR IMPRISONED OR BOTH IF THE CHILD IMPROPERLY DISCHARGES, POSSESSES, OR EXHIBITS THE FIREARM.”

Please check with your licensed retailer, state police, or local police for additional warnings, which may be required by local law or regulation. Such regulations change constantly, and local authorities are in the best position to advise you on such legal matters.

The ultimate responsibility for secure storage of any firearm must depend upon its owner and his or her individual circumstances. Firearms should be stored unloaded, in a secure location, separate from their ammunition.

# Operator Manual SIX

## FIREARMS SAFETY IS YOUR RESPONSIBILITY

This owner's manual is designed to assist you in learning how to use and care for your B&T firearm properly.

Only when you are certain that you fully understand this manual and can properly carry out its instructions, should you practice loading and firing your firearm with live ammunition. Having a gun in your possession is a full-time job; you cannot guess and you cannot forget. You must know how to use your firearm safely.

If you have any doubts about your ability to handle or use this firearm safely, you should seek supervised instruction.

For more information about safety, responsible firearms ownership, and shooting sports, contact: National Rifle Association (NRA) of America, 11250 Waples Mill Road, Fairfax, VA22030-7400, Tel: 1-800-672-3888, [www.nra.com](http://www.nra.com)

WARNINGS OF GREAT IMPORTANCE ARE FOUND WITHIN THIS MANUAL

OTHER CAUTIONS AND WARNINGS APPEAR THROUGHOUT THE MANUAL

FIREARMS ARE DANGEROUS WEAPONS

READ THE INSTRUCTIONS AND WARNINGS IN THIS MANUAL THOROUGHLY AND CAREFULLY BEFORE USING.

## GENERAL SAFETY INFORMATION AND MECHANICAL CHARACTERISTICS

### 1.0 Safety Information

The safety warnings in this manual are important. By understanding the dangers inherent in the use of any firearm, and by taking the precautions described herein, you can enjoy complete safety in the use of your firearm. Failure to heed any of these warnings may result in serious injury to you or others, as well as severe damage to the firearm or other property. B&T AG and B&T USA, LLC. shall not be responsible in any manner whatsoever for malfunctioning of the firearm, physical injury or property damage resulting in whole or in part from:

- 1) criminal or negligent discharge;
- 2) improper or careless handling;
- 3) unauthorized modifications;
- 4) defective, improper, hand-loaded, or reloaded ammunition;
- 5) corrosion;
- 6) neglect; or
- 7) other influences beyond our direct and immediate control.

This limitation applies regardless of whether liability is asserted on the basis of contract, negligence, or strict liability (including any failure to warn). Under no circumstance shall B&T AG or B&T USA, LLC. be liable for incidental or consequential damages, such as loss of use of property, commercial loss, and loss of earnings or profits.

## 1.1 Protect Your Eyes And Ears

Always wear safety glasses and ear plugs or “ earmuff” type protectors whenever you are shooting. Always make certain that persons close to you are similarly protected. Unprotected eyes may be injured by powder, gas, carbon residue, lubricant, metallic particles, or similar debris which may emanate occasionally from any firearm in normal use.

Without ear protection, repeated exposure to shooting noise may lead to cumulative, permanent hearing loss.

**CAUTION:** Be careful of accidental discharges when inserting gloved fingers into the trigger guard.

**WARNING:** Do not manipulate the trigger guard unless the firearms grip safety is not engaged and the firearm is completely unloaded.

### WARNING - SIGHTS

Do not adjust or otherwise manipulate any sight system on the weapon without first confirming the magazine is removed, firearms grip safety is not engaged and the firearm is completely unloaded.

Failure to heed this warning could result in unintentional discharge, resulting in injury or death.

The safety is “ON” when the grip safety is not engaged.

In this position, the firearm cannot be fired with a normal pull of the trigger.

The grip safety should always be in the SAFE position except when the shooter is actually firing the weapon.

The grip safety must be disengaged whenever the shooter ceases firing, even temporarily.

### MANUAL SAFETY

The safety is “OFF” when the grip safety is engaged. When the grip safety is in the FIRE position the firearm will fire when the trigger is pulled.

### WARNING - MANUAL SAFETY

Keep the safety “ON” unless actually firing. Always move the safety to its intended position and check it. The safety is not “ON” unless it is completely “ON.” Never depend on a safety mechanism or any other mechanical device to justify careless handling or permitting the weapon to point in an unsafe direction. The only “safe” firearm is one in which the bolt is open, the chamber is empty, and there is no magazine in the gun.

**CAUTION:** Dropping or jarring the weapon with the bolt locked open can cause the bolt to close.

If a magazine, loaded with ammunition, is inserted in the weapon when this occurs, a round will chamber with the potential for an unintentional discharge. ALWAYS handle the weapon as if loaded whenever a magazine is inserted in the weapon. ALWAYS place the safety lever in the SAFE (disengaged) position and unload the firearm whenever shooting is complete.

### Ammunition

1. Use only high quality, original, factory-manufactured ammunition. Do not use cartridges that are dirty, wet, corroded, bent, or damaged. Do not oil cartridges. Do not spray aerosol-type lubricants, preservative, or cleaners directly onto cartridges or where excess spray may flow into contact with cartridges. Lubricant or other foreign matter on cartridges can cause potentially dangerous ammunition malfunctions. Use only ammunition of the caliber for which

# Operator Manual SIX

your firearm is chambered. The proper caliber is permanently engraved on your firearm; never attempt to use ammunition of any other caliber.

2. The use of reloaded, “remanufactured” hand-loaded, or other non-standard ammunition voids all warranties. Reloading is a science and improperly loaded ammunition can be extremely dangerous. Severe damage to the firearm and serious injury to the shooter or to others may result. Always use ammunition that complies with the industry performance standards established by the Sporting Arms and Ammunition Manufacturers’ Institute, Inc. of the United States (SAAMI) or ammunition manufactured to military specifications.

## WARNING – AMMUNITION (CARTRIDGE) NOTICE

B&T AG and B&T USA, LLC. SPECIFICALLY DISCLAIMS RESPONSIBILITY FOR ANY DAMAGE OR INJURY WHATSOEVER OCCURRING IN CONNECTION WITH, OR AS A RESULT OF, THE USE IN ANY B&T FIREARM OF FAULTY, NON-STANDARD, “REMANUFACTURED” HAND LOADED (RELOADED) AMMUNITION, OR CARTRIDGES OTHER THAN THOSE FOR WHICH THE FIREARM WAS ORIGINALLY CHAMBERED.

3. Firearms may be severely damaged and serious injury to the shooter or to others may result from any condition causing excessive pressure inside the chamber or barrel during firing. Excessive pressure can be caused by obstructions in the barrel, propellant powder overloads, the use of incorrect cartridges or defectively assembled cartridges. In addition, the use of a dirty, corroded, or damaged cartridge can lead to a burst cartridge case and consequent damage to the firearm and personal injury from the sudden escape of high-pressure propellant gas within the firearm’s mechanism.

4. Immediately stop shooting and check the barrel for a possible obstruction whenever:
- You have difficulty in, or feel unusual resistance in, chambering a cartridge;
  - A cartridge misfires (does not go off);
  - The mechanism fails to extract a fired cartridge case;
  - Unburned grains of propellant powder are discovered spilled in the mechanism;
  - A shot sounds and/or feels weak or abnormal. In such cases it is possible that a bullet is lodged part way down the barrel.
  - Firing a subsequent bullet into the obstructed barrel can wreck the firearm and cause serious injury to the shooter or to bystanders.
5. Bullets can become lodged in the barrel:
- If the cartridge has been improperly loaded without propellant powder, or if the powder fails to ignite (ignition of the cartridge primer alone will push the bullet out of the cartridge case, but usually does not generate sufficient energy to expel the bullet completely from the barrel);
  - If the bullet is not properly seated in the cartridge case. When such a cartridge is extracted from the chamber without being fired, the bullet may be left behind in the bore at the point where the rifling begins. Subsequent chambering of another cartridge may push the first bullet further into the bore.

If there is any reason to suspect that a bullet is obstructing the barrel, immediately unload the firearm and look through the bore. It is not sufficient to merely look in the chamber. A bullet may be lodged some distance down the barrel where it cannot easily be seen.

**IF A BULLET IS IN THE BORE, DO NOT ATTEMPT TO SHOOT IT OUT BY USING ANOTHER CARTRIDGE OR BY BLOWING IT OUT WITH A BLANK OR ONE FROM WHICH THE BULLET HAS BEEN REMOVED. SUCH TECHNIQUES CAN GENERATE EXCESSIVE PRESSURE, WRECK THE FIREARM, AND CAUSE SERIOUS PERSONAL INJURY.**

If the bullet can be removed with a cleaning rod, clean any unburned powder grains from the bore, chamber, and mechanism before resuming shooting. If the bullet cannot be dislodged by tapping it with a cleaning rod, take the firearm to a gunsmith.

Dirt, corrosion, or other foreign matter on a cartridge can impede complete chambering and may cause the cartridge case to burst upon firing. The same is true of cartridges which are damaged or deformed.

Do not oil cartridges, and be sure to wipe the chamber clean of any oil or preservative before commencing to shoot. Oil interferes with the friction between cartridge case and chamber wall that is necessary for safe functioning, and subjects the firearm to stress similar to that imposed by excessive pressure.

Use lubricants sparingly on the moving parts of your firearm. Avoid excessive spraying of any aerosol gun care product, especially where it may get on ammunition. All lubricants and aerosol spray lubricants in particular can penetrate cartridge primers and cause misfires. Some highly penetrative lubricants can also migrate inside cartridge cases and cause deterioration of the propellant powder; on firing, the powder may not ignite. If only the primer ignites, there is danger that the bullet may become lodged in the barrel.

#### WARNING - AMMUNITION

Death, serious injury, and damage can result from the use of wrong ammunition, bore obstructions, powder overloads, or incorrect cartridge components. Always wear shooting glasses and hearing protectors

#### WARNING - LEAD EXPOSURE

Discharging firearms in poorly ventilated areas, cleaning firearms, or handling ammunition may result in exposure to lead and other substances known to the state of California to cause birth defects, reproductive harm, and other serious physical injury. Maintain adequate ventilation at all times. Wash hands thoroughly after exposure.

#### SHOOTING OR CLEANING GUNS MAY EXPOSE YOU TO LEAD

#### TO LOAD AND FIRE (WITH MAGAZINE)

- Before manipulating the weapon, ensure the grip safety is in the disengaged position and the trigger guard is in the closed position.
- Use only factory-new ammunition which corresponds to the caliber of the weapon.
- During all manipulations of the weapon, point the weapon in a safe direction.
- Do not place your finger on the trigger until the target has been verified and you intend to shoot.
- Do not load the weapon until immediately before use.
- Unload weapon immediately after shooting is finished.
- Remove the bolt carrier assembly and magazine from the weapon prior to transportation.

#### WARNING - HANDLING:

Never carry the firearm loaded with the safety lever in the FIRE position (red dot). If dropped or struck with the safety off, the firearm may fire. Such a discharge can occur with or without the trigger being directly struck or touched.

Never rest a loaded firearm against any object (wall, tree, fence, vehicle, etc.) because there is always the possibility that the firearm will be jarred or slide from its position and fall with sufficient force to discharge. Keep the grip safety on SAFE (disengaged) unless actually firing.

# Operator Manual SIX

## ANY GUN MAY FIRE IF DROPPED

WARNING: DO NOT LOAD A FIREARM WITH A HOT CHAMBER BECAUSE A ROUND MAY “COOK” OFF (i.e., a round may detonate (fire) unexpectedly just because it is exposed to the heat of the weapon’s chamber).

DO NOT TOUCH THE TRIGGER UNTIL YOU ARE ACTUALLY READY TO FIRE THE FIREARM.

Keep the muzzle pointed in a safe direction and your finger away from the trigger when cocking any firearm.

Never carry or leave unattended any firearm which is cocked and ready to fire! When cocked, it could fire from slight pressure on the trigger. An accidental discharge could easily result if you fall or drop the firearm, or if the firearm is struck or disturbed by someone or something.

Never fire any firearm with your finger, hand, face, or other part of your body over or adjacent to the ejection port, or in any position where you may be struck by reciprocating movement of the breech or the charging handle. Both the ejection of empty cartridge cases and the movement of the breech and the charging handle are part of the normal operating cycle of firearms, and pose no safety hazard to the shooter if the firearm is held in a normal grip and fired at arm’s length.

Never allow other persons to stand beside you where they might be struck by an ejected cartridge case. The case is hot, and may be ejected with sufficient force to cause a burn, cut or injury to an unprotected eye. Make certain there is a clear, unobstructed path for safe ejection of the fired case. Remember, the case may bounce off a hard object nearby and strike you or someone else.

If, while shooting, your firearm develops a mechanical malfunction or binding, or “spits” powder/gas, or if a cartridge primer is punctured or a cartridge case is bulged or ruptured, or if the report on firing does not sound quite right, STOP SHOOTING IMMEDIATELY! It may be dangerous to continue. UNLOAD THE FIREARM — do NOT try “one more shot”. Take the firearm and the ammunition to a gunsmith for examination.

While shooting any firearm, an unfired cartridge or fired cartridge case may occasionally become jammed between the bolt and the barrel. Clear the jam as follows, WHILE KEEPING THE MUZZLE POINTED IN A SAFE DIRECTION: Remove the magazine, then pull back the bolt by way of the charging handle and hold it manually in this position. The jammed cartridge or case now can be removed by shaking it out or picking it out.

## WARNING - FIRING

Always wear shooting glasses and hearing protectors.

## BOLT OPENS FAST – HOT BRASS EJECTED

## WARNING - HANDLING

If dropped or struck with, the weapon may fire. Keep chamber empty unless actually firing! Keep safety in the SAFE (disengaged) position unless actually firing!

## ANY GUN MAY FIRE IF DROPPED

Never assume that any gun is unloaded until you have personally checked it, visually and physically!



After every shooting practice, make a final check to be certain the firearm is unloaded before leaving the range.

## WARNING

Removing cartridges from the magazine does not prevent the weapon from being fired! When there is a cartridge in the chamber and the grip safety is engaged, the cartridge will discharge if the trigger is pulled. It is absolutely essential for the user to know how to completely unload the weapon.

“Completely” means emptying the magazine and removing a chambered cartridge. The grip safety should always be in the SAFE (disengaged) position when the weapon is being unloaded.

## THE WEAPON WILL FIRE EVEN IF THE MAGAZINE IS EMPTY OR REMOVED

### TO EXTRACT AND EJECT A CHAMBERED CARTRIDGE

When the bolt is operated by hand, there can be a failure to extract the cartridge from the chamber, or a failure to eject the cartridge clear of the firearm. These failures usually are the result of the bolt not being pulled rearward vigorously, coupled with an accumulation of firing residue in the chamber. From the foregoing it is clear that the gun user must:

1. Always visually check the chamber after opening the bolt to eject a chambered cartridge. If the bolt is not vigorously retracted when being operated by hand, the extracted cartridge can be “ejected” into the magazine area instead of outside the weapon. (Remember that the magazine should be removed prior to unloading the chamber.)
2. Thoroughly clean the chamber and the extractor as often as necessary to prevent accumulation of grease and dirt.
3. If an empty magazine is in the weapon when the bolt is being hand retracted to extract a cartridge, the cartridge may drop on top of the magazine. Then, when the bolt goes forward, the cartridge will be chambered again!  
Always remove the magazine before clearing the chamber, and visually ensure that no cartridges remain in the firearm.

### TO CLEAR A MALFUNCTION (“JAM”)

Should the weapon fail to fire, perform the following actions:

- Cycle the bolt; and continue firing.

If the firearm does not fire after cycling the bolt:

- Insert a fresh magazine;
- Cycle the bolt; and
- Continue firing.

If the firearm still does not fire:

- Put grip safety in the SAFE (disengaged) position;
- Remove magazine;
- Pull the bolt to its rearmost position;
- Ensure the chamber is clear of all ammunition and foreign matter (visual & physical check);
- Insert fresh magazine;
- push bolt forward and lock it; and
- Engage the grip safety in the FIRE position, continue firing.

# Operator Manual SIX

If the firearm still will not fire:

- Put grip safety in the SAFE (disengaged) position;
- Unload as described
- Clean weapon as described
- Load; and
- Engage the grip safety in the FIRE position, continue firing.

If the weapon malfunction cannot be corrected, the weapon should be returned to B&T USA, LLC. for evaluation by a factory trained technician.

In the case of a malfunction, the following steps must be followed:

- If the weapon cannot be unloaded immediately and there is any danger of self-ignition due to a hot barrel, wait at least 15 minutes before manipulating the weapon.
- The weapon must remain pointed in a safe direction as long as it is loaded.

**WARNING:** If your firearm stops firing with a live round in the chamber of a hot barrel (a misfire or jam), remove the round immediately. If you cannot remove the round within 10 seconds, remove the magazine and wait at least 15 minutes with the firearm pointing in a safe direction. This way, neither the user nor any other person would be injured by the possibility of a round “cooking-off” (a round detonating due to the heat of the barrel). Keep your face away from the ejection port while clearing a hot chamber.

**WARNING:** A cartridge fires when the firing pin impacts the primer, and also can be “discharged” before it is chambered if its primer receives a sharp blow. If a cartridge hangs up, jams, or binds when being chambered or when fed from the magazine into the chamber, do not attempt force it into the chamber by pushing or striking the charging handle. Any jam or feeding problem is a signal to immediately stop using the firearm until the issue can be determined.

Most failures of a cartridge to feed or to chamber are caused by a damaged magazine, improper handling, or defective ammunition. Cartridge jams can result in the potentially dangerous situation of a cartridge discharging before it is chambered. If this occurs, the cartridge case will rupture and its fragments will fly out of the weapon with sufficient force to cause injury. Always wear shooting glasses and hearing protectors, and keep your face away from the chamber!

**DAMAGED, NON-STANDARD, OR IMPROPERLY ASSEMBLED MAGAZINES SHOULD NOT BE USED. THEY CAN CAUSE THE FIREARM TO MALFUNCTION**

## CARE AND CLEANING

1. Your weapon is delivered factory packaged and preserved with a light coating of protective grease and oils. Before loading make certain that all packing grease and oil has been cleaned from the bore and exposed mechanism.
2. Before you begin to disassemble your firearm for cleaning, always double-check to make sure it is unloaded!
3. After cleaning always check to be sure that no cleaning patch or other obstruction remains in the bore or chamber!

## Transportation and Storage

When transporting your firearm to and from shooting activities, keep it unloaded for your safety and for the safety of others. When storing your firearm, keep it separated from ammunition, under lock and key if possible, and out of the reach of children and other inexperienced or unauthorized persons.

## WARNING - STORAGE:

Never place or store any firearm in such a manner that it may be dislodged. Firearms should always be stored securely and unloaded, away from children and other unauthorized users. The use of a locking device or safety lock is only one aspect of responsible firearms storage. For increased safety, firearms should be stored unloaded and locked in a location that is both separate from their ammunition and inaccessible to children and any other unauthorized person.

## STORE SECURELY & UNLOADED

## MAINTENANCE

All firearms require periodic maintenance and inspection which may reveal a need for adjustment or repair. Have your firearm checked by a competent gunsmith annually even if it seems to be working well, since breakage, improper functioning or corrosion of some components may not be apparent from external examination. If you notice any mechanical malfunction, DO NOT continue to use the firearm. UNLOAD the firearm and take it to a competent gunsmith immediately for a thorough examination. Similarly, if water, sand, or other foreign matter enters the internal mechanism, immediately dismantle the firearm for a complete and thorough cleaning. Failure to keep your firearm clean and in proper working order can lead to a potentially dangerous condition and an accident causing serious bodily injury or property damage may result.

## SERVICE AND PARTS POLICY

### Parts Policy

Our Service Department maintains a full complement of replacement parts. Even though most gunsmiths have the knowledge, training, and the ability to make necessary repairs to your firearm, the skill and workmanship of any particular gunsmith is totally beyond our control.

Should your firearm ever require service, we strongly recommend that you return it to B&T USA, LLC. A firearm is a precision instrument and some replacement parts will require individual fitting to ensure correct operation. A wrong part, improper fitting, or incorrect mechanical adjustment may result in an unsafe condition or dangerous malfunction, damage to the firearm, or cause possible serious injury or death to the shooter or others.

## Operator Manual SIX

IF ANY PART IS ORDERED WITHOUT RETURNING THE FIREARM TO B&T USA, LLC., the customer bears full responsibility for ensuring that the part supplied is correct for their particular firearm and is properly installed and fitted by a qualified gunsmith.

B&T AG and B&T USA, LLC. CANNOT BE RESPONSIBLE FOR THE FUNCTIONING OF ANY FIREARM IN WHICH REPLACEMENT PARTS ARE INSTALLED BY OTHERS.

### WARNING - PARTS PURCHASE:

It is the purchaser's responsibility to be absolutely certain that any parts ordered from the factory are correctly fitted and installed. Firearms are complicated mechanisms and IMPROPER FITTING OF PARTS MAY RESULT IN A DANGEROUS MALFUNCTION, DAMAGE TO THE FIREARM, AND SERIOUS INJURY OR DEATH TO THE SHOOTER AND OTHER PERSONS. The purchaser and installer of parts must accept full responsibility for the correct adjustment and functioning of the firearm after such installation.

### PARTS MUST FIT CORRECTLY

This instruction manual should always accompany this weapon and be transferred with it upon change of ownership.

WARNING: BEFORE SHIPPING ANY FIREARM, BE ABSOLUTELY CERTAIN THAT THE FIREARM AND ITS MAGAZINE ARE UNLOADED. DO NOT SHIP AMMUNITION WITH A FIREARM.

IF YOU DO NOT UNDERSTAND THE INSTRUCTIONS FOR OPERATING YOUR WEAPON, IT IS YOUR RESPONSIBILITY TO CONTACT B&T USA, LLC BEFORE USING YOUR FIREARM.

## Table of Contents:

1	General Rules .....	14
1.1	Safety rules .....	14
1.2	Maintenance rules.....	14
2	Technical Specifications.....	14
2.1	General description .....	14
2.2	Nomenclature.....	15
2.3	Technical data.....	15
3	Handling and Operating Procedures .....	16
3.1	Clearing weapon .....	16
3.2	Operating magazine catch.....	16
3.3	Loading and unloading the weapon.....	17
3.3.1	Loading the weapon.....	17
3.3.2	Unloading the weapon.....	17
3.4	Firing the weapon.....	17
4	Maintenance Procedures.....	18
4.1	Disassembly.....	18
4.2	Cleaning and inspections .....	19
4.3	Reassembly .....	20
4.4	SIX9 B&T Suppressor .....	20
4.5	SIX45 B&T suppressor.....	21
4.6	Functional check .....	22
5	Exploded view .....	23
5.1	BT-410069 - Upper receiver complete.....	24
5.2	BT-410070 - Trigger complete.....	25
5.3	BT-410082-US - Magazine well complete .....	26
5.4	BT-410078 - Bolt cal. 9 mm complete .....	27
5.5	BT-410068 - Bolt cal. .45 ACP complete .....	28
7	Warranty .....	29
7.1	Manufacturer's warranty information.....	29
7.2	Manufacturer's disclaimer.....	29

## Related documents:

-

## Abbreviations:

-

# Operator Manual SIX

## **1 General Rules**

### **1.1 Safety rules**

1. Consider every weapon loaded until checked personally by the individual operator.
2. Always keep the finger off the trigger and until the sights are on target.
3. Always point the weapon in a safe direction.
4. Verify your target and the area behind the target.
5. Before firing always verify the serviceability and condition of both the weapon and ammunition.
6. Hearing and eye protection are mandatory.
7. Be sure to use CIP or SAAMI certified cartridges of correct caliber and approved projectile type only.
8. If a cartridge fails to ignite, keep the muzzle in a safe direction and open the chamber only after a minimum of 30 seconds.
9. Live fire training should be carried out in open or well-ventilated areas to prevent excessive exposure to toxic gases.
10. Operate your weapon consciously and do not use excessive force.

### **1.2 Maintenance rules**

1. Clear and clean the weapon after each deployment or firing.
2. Report malfunctions to unit armorer or manufacturer.
3. Present the weapon to the armorer for inspection after each mission or at least once a year.

## **2 Technical Specifications**

### **2.1 General description**

The weapon is a manually operated handgun with box magazine (repeating pistol).

The breech is rotating with two locking lugs and a 90° angle of opening.

The trigger is a striker single action where the striker is cocked when closing the breech.

A manual safety is acting on the sear.

The weapon can be stripped without tools in below listed two components:

- Firing unit
- Magazine

The stand-alone firing unit is able to fire.

## 2.2 Nomenclature



Fig. 2.1 Weapon complete

## 2.3 Technical data

<b>Designation:</b>	<b>SIX</b>
Manufacturer:	B&T AG, Switzerland
Product ID:	BT-SIX9 / BT-SIX45
Caliber:	9x19mm / .45 ACP
Magazine capacity:	5 rounds
Barrel length [mm]:	80
Overall length [mm]:	176
Overall width [mm]:	34
Overall height [mm]:	142
Weight [g]:	ca. 920
Sights:	Pistol style fix sights, rear sight adjustable for windage
Sight radius [mm]	125 mm

All product specifications are subject to change without prior notice. Published data are mean values and therefore not suitable acceptance criteria.

# Operator Manual SIX

## 3 Handling and Operating Procedures



**SAFETY NOTE:**  
THE B&T SIX9/SIX45 IS A SPECIALIZED WEAPON TO FIRE A ROUND AS QUIET AS POSSIBLE. IT IS NOT DESIGNED FOR FAST REPETITIVE SHOTS. OPERATE THE WEAPON WITH CAUTION AS DESCRIBED IN THIS MANUAL



**SAFETY NOTE:**  
ALWAYS KEEP THE FINGER OFF THE TRIGGER WHILE HANDLING!



**NOTE:**  
MAKE SURE THE GRIP SAFETY IS ENGAGED BY A PROPER GRIP AS OTHERWISE THE BOLT WILL JAM AND MIGHT BE DAMAGED.

### 3.1 Clearing weapon

- a. Remove the magazine as per 3.2 a. and b.
- b. Rotate the bolt operating handle 90° counterclockwise and pull the bolt rearwards to the fully open position.
- c. Inspect the chamber visually and physically to be clear (Fig. 3.1).

### 3.2 Operating magazine catch

- a. Push the magazine release and hold (Fig. 3.2).
- b. Remove the magazine downwards.
- c. Insert other magazine until the magazine release snaps audibly in without pushing the magazine release.



Fig. 3.1



Fig. 3.2



## 3.3 Loading and unloading the weapon

### 3.3.1 Loading the weapon

- Clear the weapon according to section 0.
- Remove the magazine (section 0) and fill the cartridges one by one into the magazine.
- Insert the magazine. Pull the magazine slightly downward to verify it is securely locked in place.
- Push the bolt operating handle in one fluent motion to fully closed position and rotate the bolt operating handle 90° clockwise until the red marks align (Fig. 3.3 and Fig. 3.4).



**SAFETY NOTE:**  
WHENEVER CLOSING THE BOLT, MAKE SURE THE BOLT OPERATING HANDLE IS IN CORRECT POSITION WITH ITS RED MARK ALIGNED TO THE RED MARK ON THE RECIEVER. (SEE Fig. 3.4)



**NOTE:**  
LOAD ALL MAGAZINES (PROVIDED AND AFTERMARKET) WITH A MAXIMUM OF 5 ROUNDS ONLY, AS OTHERWISE FEEDING MALFUNCTIONS MAY OCCUR.



Fig. 3.3



Fig. 3.4



Fig. 3.5

### 3.3.2 Unloading the weapon

- Remove the magazine.
- Block to bottom of the magazine shaft with your little finger while maintaining a safe and solid grip of the pistol.
- Rotate the bolt operating handle 90° counterclockwise and pull the breech slowly rearwards to fully open position (Fig. 3.5)  
⇒ the extracted cartridge will fall through the weapon's grip into your shooting hand.
- Clear the weapon as per 3.1.

## 3.4 Firing the weapon



**SAFETY NOTE:**  
APPLY SAFETY RULES SECTION 1.1!



**NOTE:**  
MAKE SURE THE GRIP SAFETY IS ENGAGED BY A PROPER GRIP AS OTHERWISE THE WEAPON WON'T FIRE.

# Operator Manual SIX

- a. Load weapon according to section 0.
- b. Apply a proper firing position.
- c. Aim on target and pull the trigger until the shot is released.
- d. Extract the spent case by rotating the breech operating handle 90° counterclockwise and pulling the bolt with a swift motion rearwards to the fully open position while tilting the weapon at least 90 degrees to one side, allowing the extracted case to fall out of the weapon (Fig. 3.6).



Fig. 3.6

- e. Load the next cartridge by pushing the breech in one fluent motion to fully closed position and rotating the bolt operating handle 90° clockwise until the red marks fit (Fig. 3.3 and Fig. 3.4).
- f. Repeat c.



**SAFETY NOTE:**  
WHENEVER CLOSING THE BOLT, MAKE SURE THE BOLT OPERATING HANDLE IS IN CORRECT POSITION WITH ITS RED MARK ALIGNED TO THE RED MARK ON THE RECEIVER. (SEE Fig. 3.4)



**SAFETY NOTE:**  
THE TRIGGER STAYS BLOCKED IF THE RED MARKS DON'T FIT THUS IF THE BOLT IS NOT FULLY LOCKED.



**SAFETY NOTE:**  
ADDRESS TO AN ARMOURER IF THE SERVICEABILITY OF A SUPPRESSOR SEEMS DOUBTFUL!

## 4 Maintenance Procedures

### 4.1 Disassembly

- a. Unload the weapon according to section 3.3.2.
- b. If installed, unscrew the suppressor by counterclockwise rotation (in firing direction) and remove it.
- c. Unscrew the stop screw counterclockwise with a fitting slotted screwdriver (not supplied) and remove it. (Fig. 4.1)
- d. Remove bolt rearwards.
- e. The weapon is now disassembled as in Fig. 4.2.



**NOTE:**  
THE SUPPRESSOR ATTACHMENT IS A LEFT HAND THREAD.



Fig. 4.1



Fig. 4.2

## 4.2 Cleaning and inspections

- Use a fitting cleaning rod with a copper brush of the right caliber (not supplied Fig. 4.1) to clean the barrel from the rear side (Fig. 4.3).
- Use an oily rag to wipe clean all accessible surfaces.
- Inspect all components and accessible parts for cracks, deformations or other signs of deterioration.
- Apply a slight film of oil to all accessible surfaces of steel parts.



Fig. 4.3



**SAFETY NOTE:**  
ADDRESS TO AN ARMOURER IF THE SERVICEABILITY OF THE WEAPON  
SEEMS DOUBTFUL!

# Operator Manual SIX

## 4.3 Reassembly

- Insert the bolt to the firing unit and lock it with a 90° clockwise rotation of the bolt operating handle.
- Install stop screw using a fitting slotted screwdriver.
- Store weapon in a safe condition.



### SAFETY NOTE:

DO NOT USE AN AFTERMARKET SUPPRESSOR, WHEN YOUR PISTOL IS SETUP FOR THE USE WITH A B&T SUPPRESSOR (PORTED CHAMBER). DAMAGE TO THE GUN AND/OR SUPPRESSOR AND SERIOUS INJURY TO THE SHOOTER AND/OR BYSTANDERS MAY OCCUR.

## 4.4 SIX9 B&T Suppressor

- Unload the weapon according to section 3.3.2.
- Remove the suppressor from the weapon.
- Grab the suppressor and clean accessible surfaces with an oily rag.
- Shake the suppressor and inspect audibly for loose parts.
- Inspect the suppressor for bulges, cracks or other deteriorations.
- Take the suppressor and remove its cover (righthand thread) using the hexagonal disassembly tool (Fig. 4.4).
- Use the crank out tool to remove the internal part by pushing them out in firing direction (Fig. 4.5).



Fig. 4.4



Fig. 4.5

- Use an oily rag to wipe clean all accessible surfaces.
- Replace the set of 4 rubber baffles.
- Prepare the internals as highlighted in fig. 4.6 and install to suppressor body. Please note the orientation of the spacers.
- Reinstall the lid.
- Screw on the selected suppressor by clockwise rotation (in firing direction).



### SAFETY NOTE:

ADDRESS TO AN ARMOURER IF THE SERVICEABILITY OF A SUPPRESSOR SEEMS DOUBTFUL!

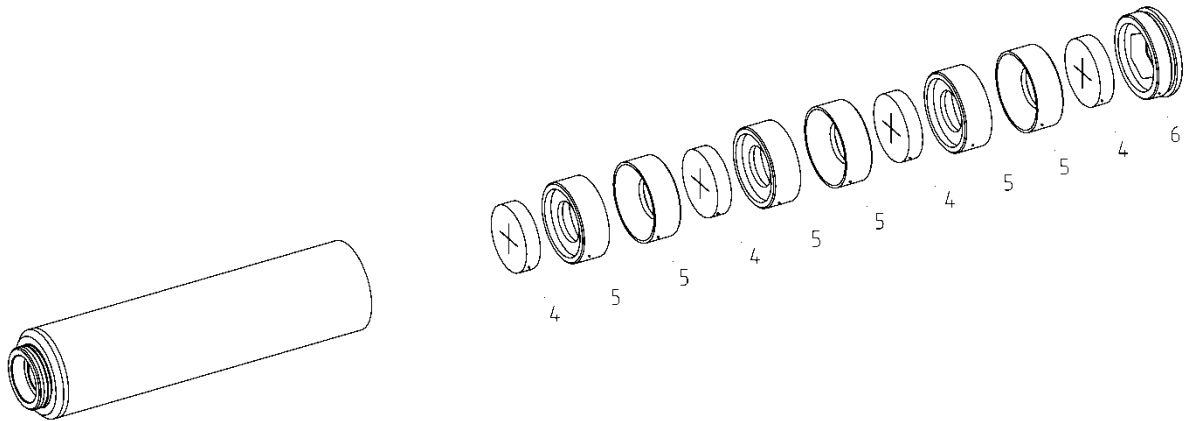


Fig. 4.6



**NOTE:**  
THE RUBBER BAFFLES PERFORM BEST FOR 10 ROUNDS ONLY.

Pos	Ref.	Ref.
4	BT-12609	Rubber Baffels
5	BT-121843	Spacer
6	BT-121844	Suppressor Lid

## 4.5 SIX45 B&T suppressor

- Unload the weapon according to section 3.3.2.
- Remove the suppressor from the weapon.
- Grab the suppressor and clean accessible surfaces with an oily rag.
- Shake the suppressor and inspect audibly for loose parts.
- Inspect the suppressor for bulges, cracks or other deteriorations.



**NOTE:**  
THE SUPPRESSOR HAS NO SERVICEABLE PARTS INSIDE. THE SUPPRESSOR BODY IS SEALED. ANY ATTEMPT TO OPEN THE SUPPRESSOR WILL DAMAGE THE SUPPRESSOR AND VOID THE WARRANTY.

For cleaning the SIX45 suppressor from the inside, B&T recommends the use of a specialized suppressor cleaning liquid.



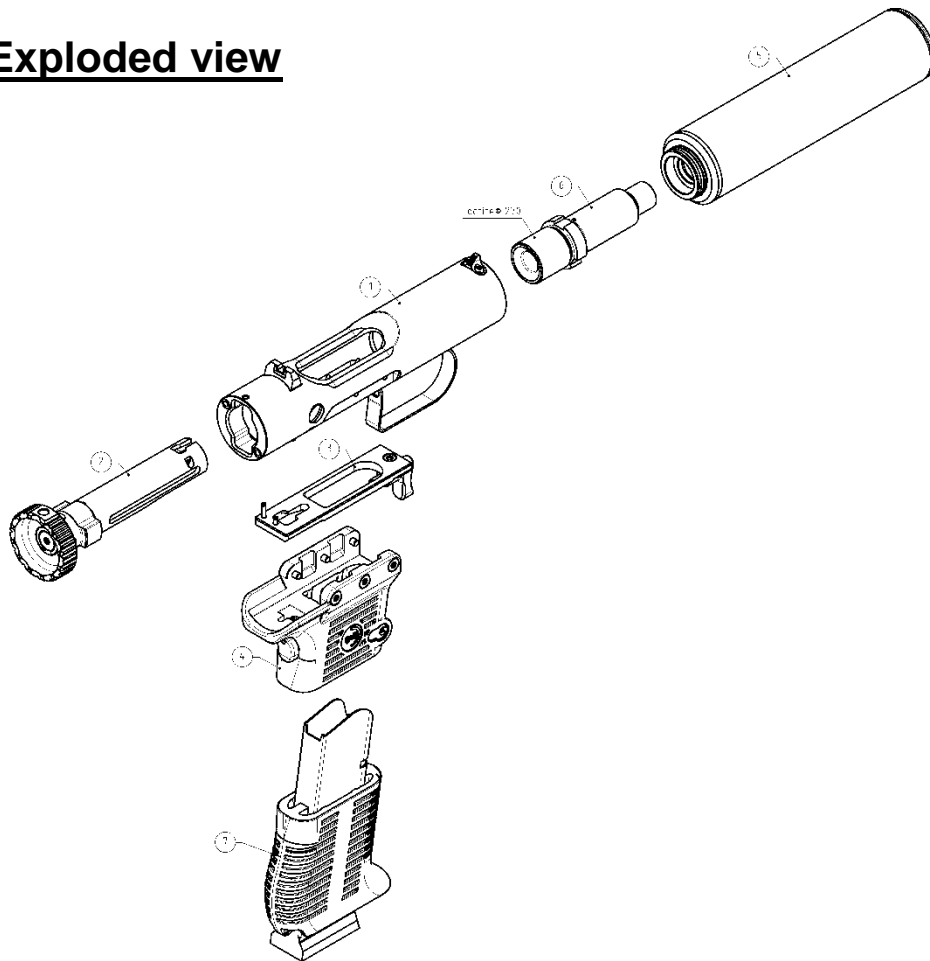
**SAFETY NOTE:**  
ADDRESS TO AN ARMOURER IF THE SERVICEABILITY OF A SUPPRESSOR SEEMS DOUBTFUL!

# Operator Manual SIX

## 4.6 Functional check

- a. Clear weapon according to section 3.1.
- b. Pull the magazine slightly downward
  - ⇒ Magazine shall stay in place.
- c. Push the magazine catch and hold it while pulling the magazine downward
  - ⇒ Magazine shall come free.
- d. Insert magazine until the magazine catch snaps audibly in and pull the magazine slightly downward
  - ⇒ Magazine shall stay in place.
- e. Repeat c and d with all available magazines.
- f. Push the bolt operating handle to its fully closed position and rotate the bolt operating handle approx. 60° clockwise. Apply a firm grip pressing the safety with the web of the hand, pull the trigger and hold
  - ⇒ striker shall not strike.
- g. Release the trigger and rotate the breech operating handle 90° clockwise until the red marks fit
  - ⇒ shall lock firmly.
- h. Pull the trigger without touching the grip safety
  - ⇒ striker shall not strike.
- i. Press grip safety and release
  - ⇒ shall run smoothly its full travel and back.
- j. Apply a firm grip pressing the safety with the web of the hand, pull the trigger and hold
  - ⇒ striker shall strike audibly.
- k. Release pull on trigger
  - ⇒ shall travel back to foremost position.
- l. Rotate the bolt operating handle 90° counterclockwise and pull the bolt rearwards to fully open position
  - ⇒ operation shall be smooth and easy, bolt shall not come loose.
- m. If any function fails, address to an armorer.

## 5 Exploded view



Pos	Ref.	Description
1	BT-410069	Upper receiver complete
2	<b>Caliber option</b>	
3	BT-410070	Trigger complete
4	BT-410082	Magazine well
5		
6	<b>Caliber option</b>	
7		

### BT-410111 Caliber Option 9mm

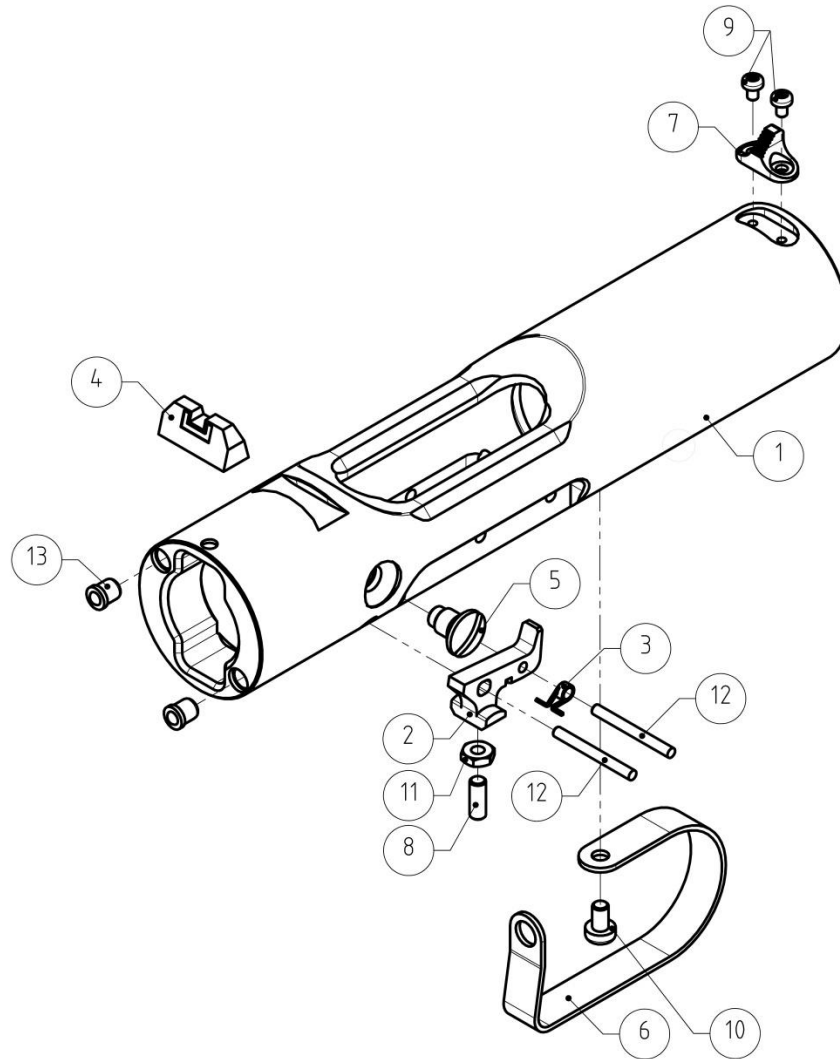
Pos	Ref.	Description
2	BT-410078	Bolt cal. 9 mm complete
5	SD-SIX9-US	Suppressor
6	BT-410113	Barrel cal. 9x19 mm complete
7	BT-SIX9-MAG-US	Magazine cal. 9x19 mm

### BT-410110 Caliber Option .45

Pos	Ref.	Description
2	BT-410068	Bolt cal. .45 ACP complete
5	SD-SIX45-US	Suppressor
6	BT-410112	Barrell cal. .45 ACP complete
7	BT-SIX45-MAG-US	Magazine cal. .45 ACP

# Operator Manual SIX

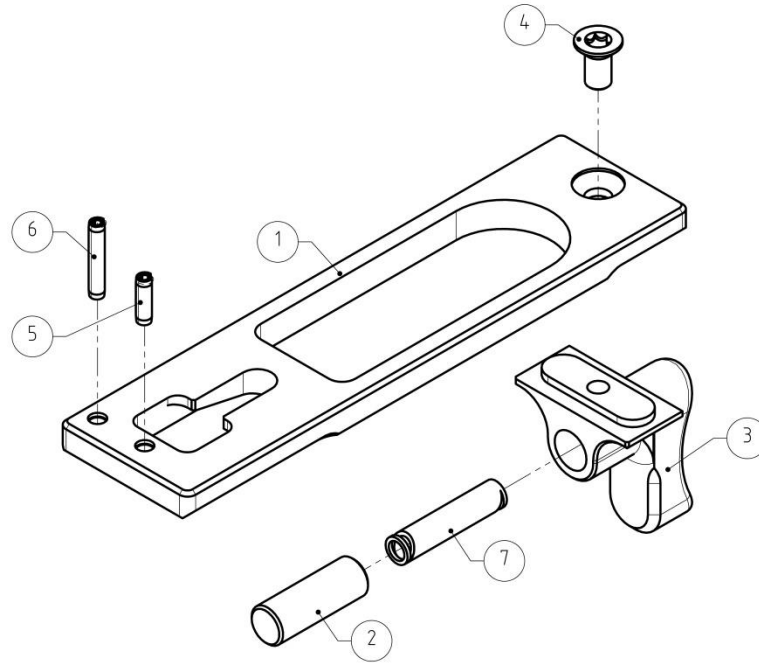
## 5.1 BT-410069 - Upper receiver complete



Pos	Ref.	Description	Note
1	BT-410059	Upper receiver	
2	BT-410015	Release lever	
3	BT-410032	Release lever spring	
4	BT-410040	Backsight	
5	BT-410060	Dismanteling screw	
6	BT-410061	Trigger guard	
7	BT-410080	Frontsight	
8	BTN-BN24-M3x8-E	Hex socket screw	
9	BTN-BN5687-M2x3-E	Torx socket pan head screw	
10	BTN-BN5687-M3x5-E	Torx socket pan head screw	
11	BTN-BN630-M3	Hex nut 0.5d M3	
12	BTN-BN858-2x20	Parallel pin $\varnothing 2 \times 20$ h6	
13	BTN-BN13376-4	Spring plungers $\varnothing 4$	



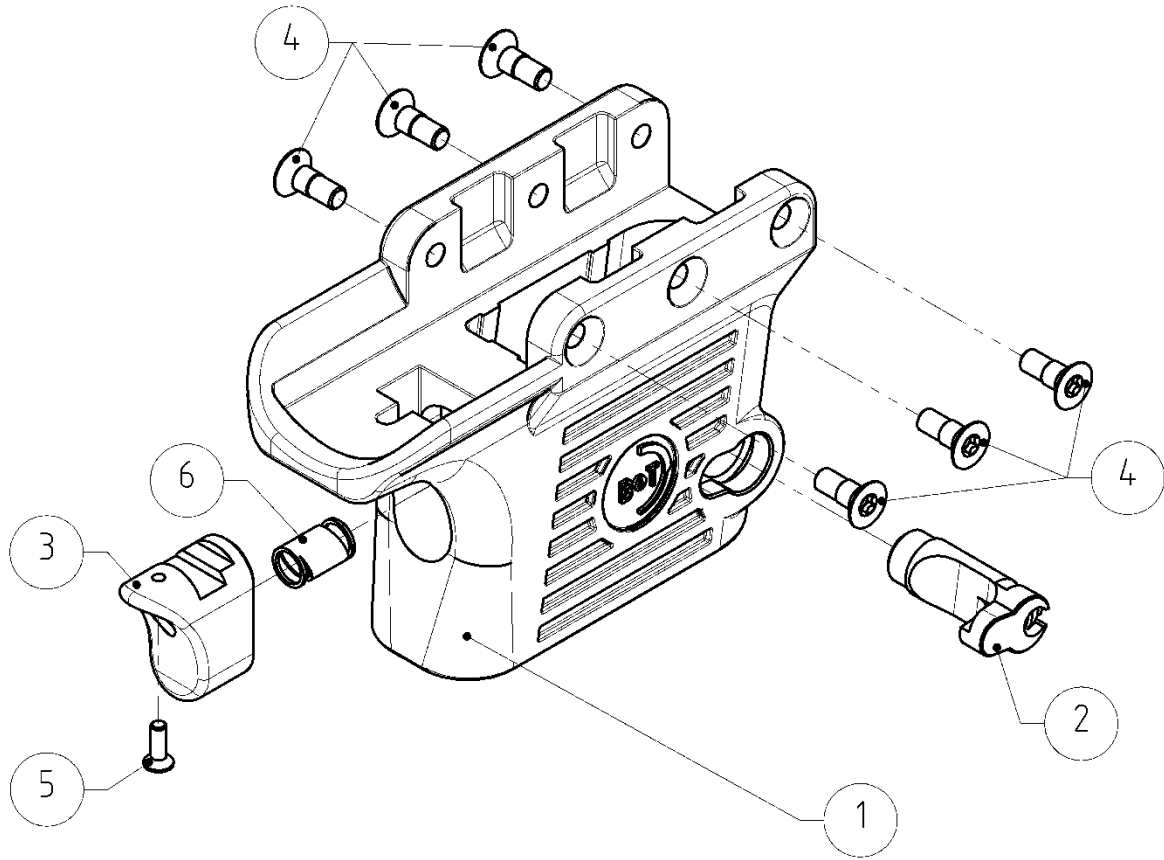
## 5.2 BT-410070 - Trigger complete



Pos	Ref.	Description	Note
1	BT-410062	Trigger rod	
2	BT-410063	Trigger plunger	
3	BT-410064	Trigger	
4	BTN-BN3803-M3x6-E	Torx countersunk flat head screw	
5	BTN-BN874-2x6	Spiral spring pin $\varnothing$ 2x6	
6	BTN-BN874-2x10	Spiral spring pin $\varnothing$ 2x10	
7	BTN-1309.2630	Compression spring	

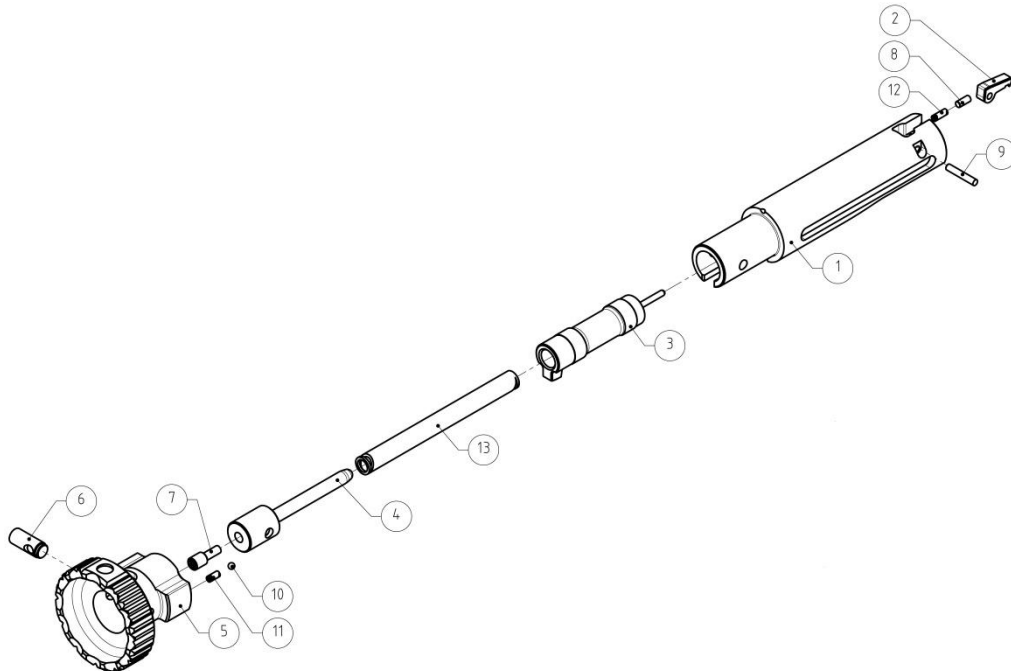
# Operator Manual SIX

## 5.3 BT-410082-US - Magazine well complete



Pos	Ref.	Description	Note
1	BT-410090-US	Magazine well	
2	BT-410114	Magazine retainer complete	
3	BT-410079	Grip safety	
4	BT-410067	Screw to magazine well	
5	BTN-BN3803-M2x6-E	Torx countersunk flat head screw	
6	BTN-50-4-3	Compression spring	

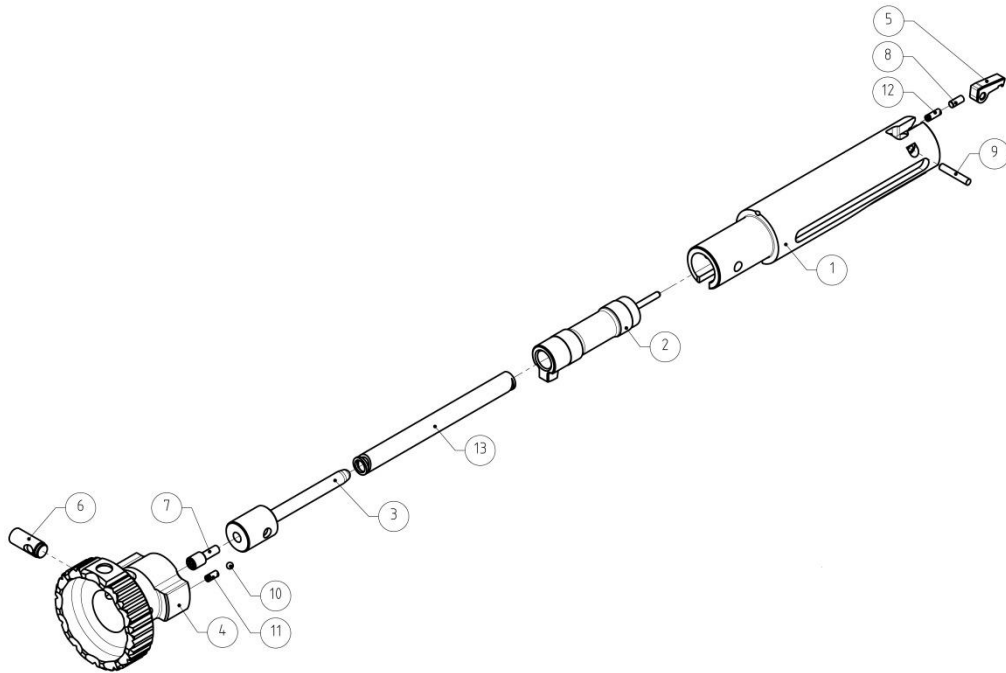
## 5.4 BT-410078 - Bolt cal. 9 mm complete



Pos	Ref.	Description	Note
1	BT-410077	Bolt cal. 9 mm	
2	BT-410011	Extractor cal. 9x19mm	
3	BT-410054	Firing pin	
4	BT-410055	Lead	
5	BT-410056	Bolt head	
6	BT-410089	Firing pin retainer	
7	BT-410122	Locking bolt	
8	BTN-BN858-2x5	Cylindrical pin ø2x5 h6	
9	BTN-BN858-2x12	Cylindrical pin ø2x12 h6	
10	BTN-BN869-2	Ball ø2	
11	BTN-36-1-2	Compression spring	
12	BTN-1401.1350	Compression spring	
13	BTN-1408.1251	Compression spring	

# Operator Manual SIX

## 5.5 BT-410068 - Bolt cal. .45 ACP complete



Pos	Ref.	Description	Note
1	BT-410058	Bolt cal. .45 ACP	
2	BT-410054	Firing pin	
3	BT-410055	Lead	
4	BT-410056	Bolt head	
5	BT-410057	Extractor cal. .45 ACP	
6	BT-410089	Firing pin retainer	
7	BT-410122	Locking bolt	
8	BTN-BN858-2x5	Cylindrical pin $\varnothing 2 \times 5$ h6	
9	BTN-BN858-2x12	Cylindrical pin $\varnothing 2 \times 12$ h6	
10	BTN-BN869-2	Ball $\varnothing 2$	
11	BTN-36-1-2	Compression spring	
12	BTN-1401.1350	Compression spring	
13	BTN-1408.1251	Compression spring	

## **7 Warranty**

### **7.1 Manufacturer's warranty information**

Warranty claims on behalf of the client are to be explicitly declared as such. During the legal warranty period, B&T provides warranty cover solely for defects that arise as a result of faulty materials, construction errors or poor workmanship. If a warranty claim is justified, B&T will, at its own discretion, either repair or replace the defective good. Costs incurred in transporting the defective good to B&T are borne by the Client. Spare parts fitted and replaced become the property of B&T.

Inasmuch as is legally permitted, any other liability of B&T is excluded, in particular liability for damages arising either directly or indirectly from the delivered good itself, from its use or from its defects.

Merchandise is covered by the warranty provisions of the manufacturer. Parts that are naturally subject to wear and tear, damage arising from insufficient maintenance work, non-compliance with operating regulations and cases of force majeure are all excluded from warranty cover. Warranty claims lapse if the client itself or third parties alter or repair the delivered good without the prior written consent of B&T.

### **7.2 Manufacturer's disclaimer**

- a. The user is fully responsible for improper usage of this product – it is the users responsibility to understand and implement its proper use.
- b. The user is responsible for defects which result from non-observance of the operation and maintenance procedures as outlined in the manufacturer's manuals. If descriptions of procedures are not understandable or seem to be missing, contact the manufacturer for further clarification.
- c. Technical specifications may be subject to modifications according to the manufacturer's quality management system.

B&T AG  
Tempelstrasse 6  
3608 Thun / Switzerland  
Tel: +41 33 334 67 00  
info@bt-ag.ch  
www.bt-ag.ch