

DTIC FILE COPY

2

THE SOVIET COMBINED ARMS BATTALION--
REORGANIZATION FOR TACTICAL
FLEXIBILITY

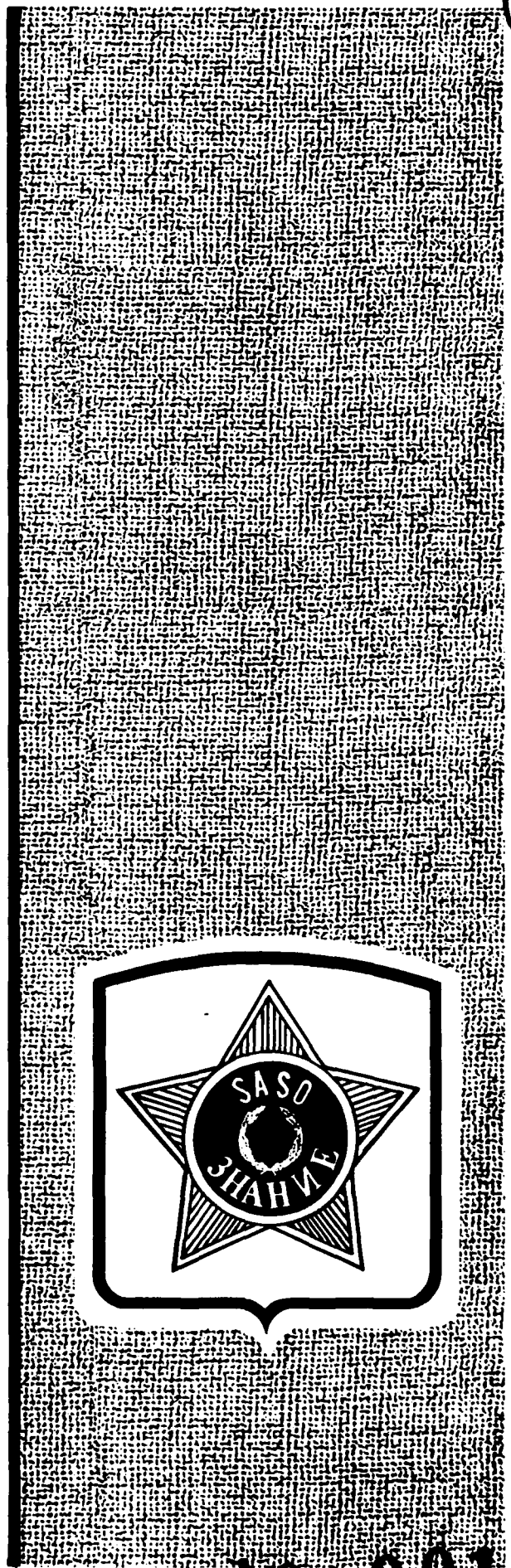
AD-A216 368

SDTIC
ELECTE
JAN 10 1990
B D

SOVIET
ARMY
STUDIES
OFFICE

Fort Leavenworth,
Kansas

DISTRIBUTION STATEMENT A
Approved for public release
Distribution Unlimited



90 01 10 001

REPORT DOCUMENTATION PAGE

Form Approved
OMB No. 0704-0188

1a. REPORT SECURITY CLASSIFICATION Unclassified		1b. RESTRICTIVE MARKINGS	
2a. SECURITY CLASSIFICATION AUTHORITY		3. DISTRIBUTION/AVAILABILITY OF REPORT Unclassified/Unlimited	
2b. DECLASSIFICATION/DOWNGRADING SCHEDULE			
4. PERFORMING ORGANIZATION REPORT NUMBER(S)		5. MONITORING ORGANIZATION REPORT NUMBER(S)	
6a. NAME OF PERFORMING ORGANIZATION Soviet Army Studies Office	6b. OFFICE SYMBOL (If applicable) ATZL: SAS	7a. NAME OF MONITORING ORGANIZATION	
6c. ADDRESS (City, State, and ZIP Code) HQ CAC ATZL: SAS FT. Leavenworth, KS 66027-5015		7b. ADDRESS (City, State, and ZIP Code)	
8a. NAME OF FUNDING/SPONSORING ORGANIZATION Combined Arms Center	8b. OFFICE SYMBOL (If applicable) CAC	9. PROCUREMENT INSTRUMENT IDENTIFICATION NUMBER	
8c. ADDRESS (City, State, and ZIP Code) CAC Ft. Leavenworth, KS 66027		10. SOURCE OF FUNDING NUMBERS	
		PROGRAM ELEMENT NO.	PROJECT NO.
		TASK NO.	WORK UNIT ACCESSION NO.
11. TITLE (Include Security Classification) SOVIET COMBINED ARMS BATTALION -- REORGANIZATION FOR TACTICAL FLEXIBILITY			
12. PERSONAL AUTHOR(S) GRAU, LESTER W.			
13a. TYPE OF REPORT Final	13b. TIME COVERED FROM _____ TO _____	14. DATE OF REPORT (Year, Month, Day) 1989 SEPTEMBER	15. PAGE COUNT 135
16. SUPPLEMENTARY NOTATION			
17. COSATI CODES		18. SUBJECT TERMS (Continue on reverse if necessary and identify by block number)	
FIELD	GROUP	SUB-GROUP	
		COMBINED ARMS BATTALION; TACTICAL FORCE STRUCTURE; COMBAT ORGANIZATION.	
19. ABSTRACT (Continue on reverse if necessary and identify by block number) — IN THEIR CURRENT RESTRUCTURING EFFORTS THE SOVIETS ARE CONSIDERING WHAT MANY US PLANNERS HAVE LONG ADVOCATED -- THE FORMATION OF COMBINED ARMS BATTALIONS. THE AUTHOR PRESENTS SUBSTANTIAL DATA FROM SOVIET EXERCISES AND COMBAT EXPERIENCES SINCE WORLD WAR II, CLEARLY SHOWING THAT BATTALION BATTLE GROUPS HAVE NORMALLY BEEN CONSTRUCTED TO POSSESS A COMBINED ARMS MIX WITH INCREASED COMBAT POWER AND MANEUVERABILITY.			
20. DISTRIBUTION/AVAILABILITY OF ABSTRACT <input checked="" type="checkbox"/> UNCLASSIFIED/UNLIMITED <input type="checkbox"/> SAME AS RPT. <input type="checkbox"/> DTIC USERS		21. ABSTRACT SECURITY CLASSIFICATION Unclassified	
22a. NAME OF RESPONSIBLE INDIVIDUAL Tim Sanz		22b. TELEPHONE (Include Area Code) 913 684-4333	22c. OFFICE SYMBOL ATZL: SAS

THE SOVIET COMBINED ARMS BATTALION-
REORGANIZATION FOR TACTICAL FLEXIBILITY

by

LTC Lester W. Grau
Soviet Army Studies Office
U. S. Army Combined Arms Center
Fort Leavenworth, Kansas

September 1989

The views expressed here are those of the
Soviet Army Studies Office. They should not
necessarily be construed as validated threat doctrine.

THE SOVIET COMBINED ARMS BATTALION-
REORGANIZATION FOR TACTICAL FLEXIBILITY

One of the key issues facing Soviet force planners is whether to extend the combined arms TO&E structure down to the motorized rifle and tank battalion. As this paper demonstrates, sufficient military rationale exists for Soviet planners to consider such a step. Critical economic, political and training factors must be considered, however, before the Soviets implement this tactical perestroyka.

Recent Soviet writings characterize modern combined arms battle as one of maneuver, and simultaneous attacks from the front, flanks, rear and air by formations, units and battalion tactical groups.¹ The authoritative 1987 edition of Taktika [Tactics] describes what it calls the "battalion tactical group", as a modern tank or motorized rifle battalion with significant, tailored reinforcements. The tank or motorized rifle battalion

...may be furnished with significant quantities of reinforcements--an artillery battalion or battery, antitank weapons, an antiaircraft battery (platoon) and engineer and chemical troop subunits. Tank subunits may be added to a motorized rifle battalion and motorized rifle subunits may be added to a tank battalion.²

The essential question is whether the Soviets will continue to form battalion tactical groups "through attachment" or through integration of reinforcing weapons directly into the organizational structure by forming true "combined arms battalions." Significantly, Soviet writings emphasize that combined arms integration at battalion level satisfies the requirements of modern battle. Hence, the battalion tactical

group or combined arms battalion remains a principal focus of tactical writings and exercises. In early 1989, a Soviet tactician stated that

experience in local wars and in conflicts of the last several years demonstrates that a battalion, reinforced with artillery, air defense weapons, etc. (in all, up to eight attached subunits) is the basic tactical entity on the battlefield. This, to a certain degree, is explained by the fact that here the commander still has the ability to personally observe the situation on his front and immediately react to it.³

As the Soviets consider restructuring their forces in light of their recent political declarations, the creation of TO&E "combined arms battalions" has clearly emerged as a viable variant for Soviet force planners.⁴ Examination of peacetime force structure and training options should best reflect how tactical maneuver forces would fight in future battle.

The Soviet view of future battle envisions a need for battalions capable of functioning independently on a fragmented battlefield, since

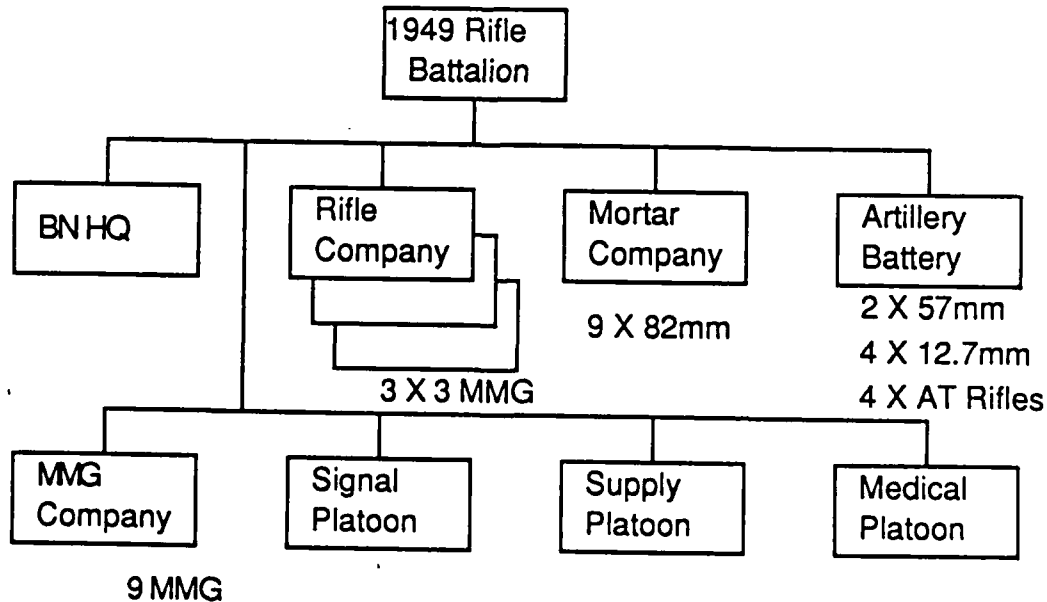
to make it possible for commanders and staffs to exercise control, their forces are broken down into the appropriate number of smaller elements. Moreover, the numerical strength and armament of the latter have been calculated so that, without being unwieldy, they will be able to accomplish an assigned combat mission or execute a maneuver in a short period of time. When forces are being subdivided into independent elements, a long-standing rule must apply- subdivisions for administrative and combat purposes must coincide.⁵

To comprehend what these changes may entail, this paper examines the optimum composition of a Soviet combined arms battalion based on the study of over five hundred battalion-sized Soviet exercise

and training experiences reported in the open press from January 1962 through June 1989.

BACKGROUND

Soviet motorized rifle battalion composition has undergone several significant changes since World War II. In 1949, the Soviet mechanized regiment's motorized rifle battalion (Figure 2) was not as heavily armed or manned as the rifle regiment's rifle battalion (Figure 1). This may be due to the fact that there were no tanks in the rifle regiment, whereas the mechanized regiment was organized with two motorized rifle battalions and a tank battalion. Thus the motorized rifle battalion could be more readily reinforced. Both the rifle battalion and the motorized rifle battalion had a direct fire artillery battery and a mortar company/battery to provide fire support. A primary function of the artillery battery was antitank fires.



Per	<input checked="" type="checkbox"/>
SI	<input type="checkbox"/>
sd	<input type="checkbox"/>
tion	

Figure 1

9 MMG

Availability Codes	
Dist	Avail and/or Special
A-1	

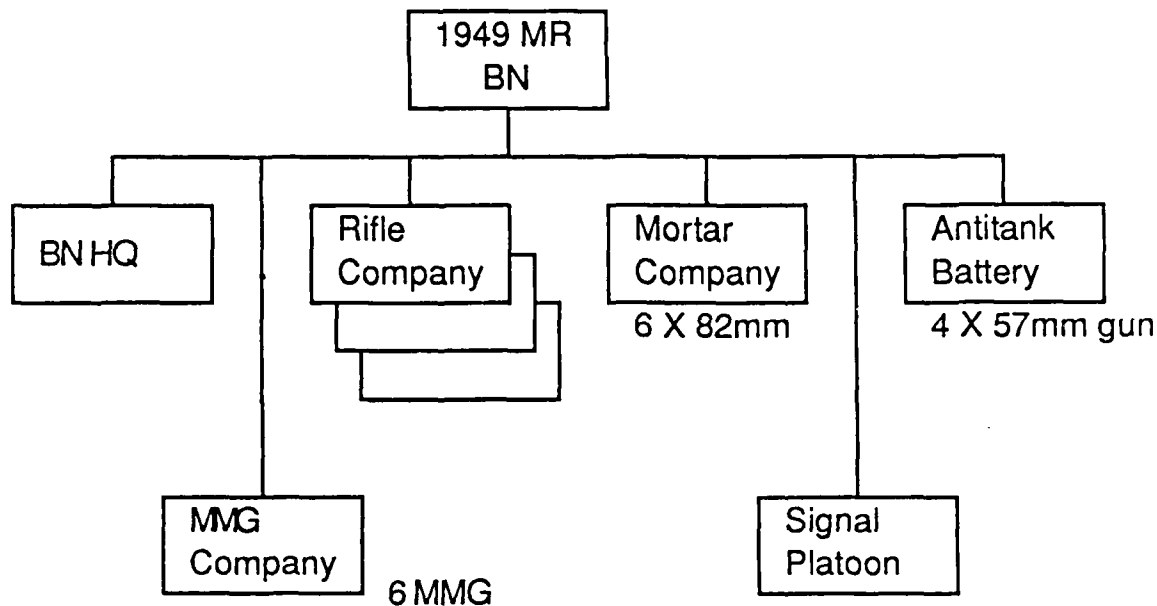


Figure 2

6

By 1954, the support structure of the motorized rifle battalion had changed and its personnel strength had decreased from 547 to 433 (Figure 3). Moreover, rifle divisions were converting to a totally motorized structure.

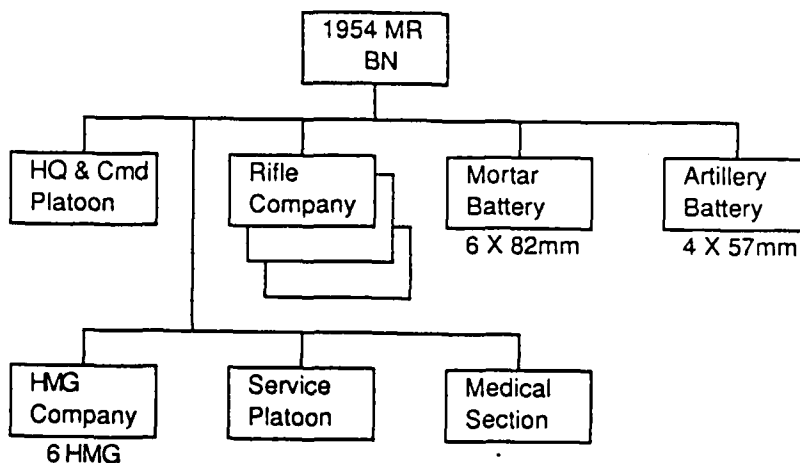


Figure 3

7

By 1958, the motorized rifle battalion had increased to 500 men (Figure 4). The mortar battery was eliminated, two 82-mm recoilless rifles and two 107-mm recoilless rifles were added to the artillery battery, an antiaircraft machine gun platoon was added (in addition to the machine gun company), 27 RPG-2 antitank

grenade launchers were introduced and the AK-47 was becoming the standard shoulder weapon of the Soviet Army.

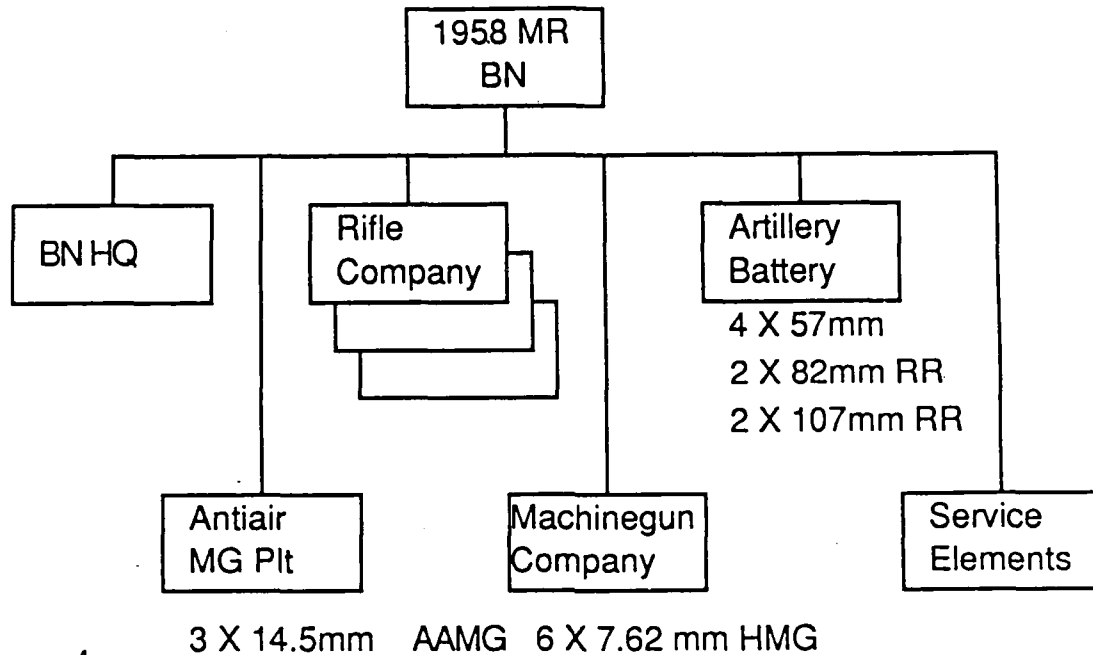


Figure 4

8

By 1966, several significant changes had occurred in the motorized rifle battalion (Figure 5). The BTR 60-PB, in production for five years, was replacing the BTR-152 and BTR-50P as the standard armored personnel carrier. Mortars returned to the battalion, but were now organized as a platoon of three 82-mm mortars instead of the battery of six. The artillery battery shrunk to an antitank platoon of two 57-mm direct fire guns and the three-gun anti-aircraft machine gun platoon decreased to a two-gun anti-aircraft section. The machine gun company disappeared as more machine guns were placed in the motorized rifle company. Service units were also reorganized and the strength of the motorized rifle battalion fell to 386. This was an organization optimized for combat on the nuclear battlefield.

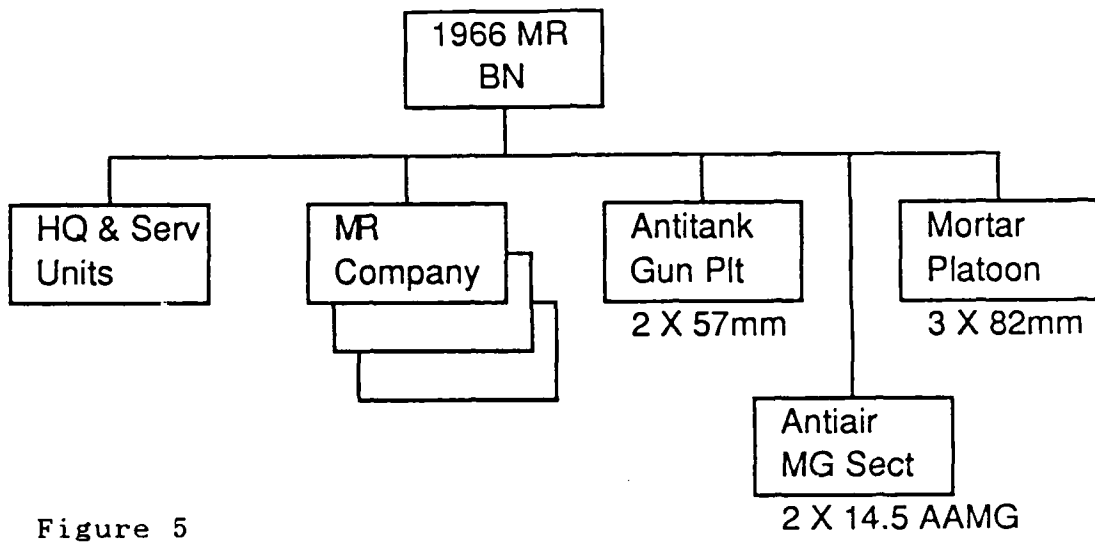


Figure 5

By 1967, the Soviets had introduced the BMP-1 infantry fighting vehicle and motorized rifle battalions were now equipped with either BMPs or BTRs. The AKM was replacing the AK-47 as the standard shoulder arm, the RPG-7 was replacing the RPG-2 and the SA-7 shoulder-fired surface-to-air missile (introduced in 1966) was supplementing antiaircraft machine guns. Thus, the Soviets were fielding a more balanced force capable of functioning on both a nuclear and a conventional battlefield.

By 1977, the BTR equipped motorized rifle battalion was organized as shown in Figure 6:

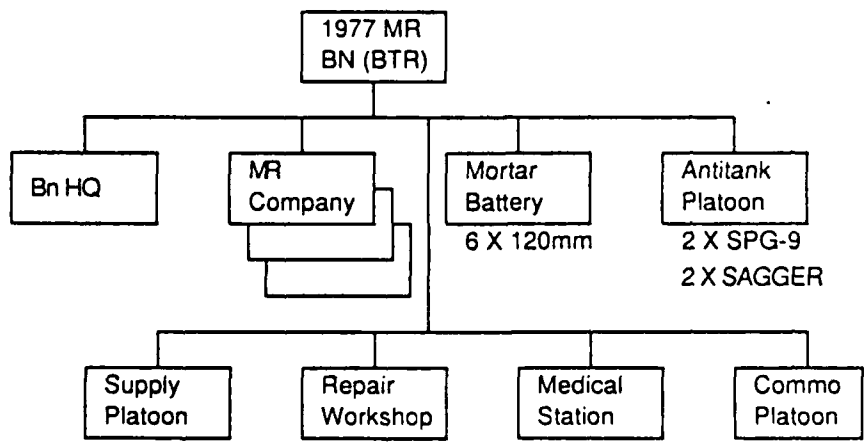


Figure 6

The mortar platoon was upgraded to a mortar battery and the 120-mm mortar replaced the 82-mm mortar. Two SPG-9 recoilless rifles and two SAGGER antitank guided weapons replaced the 57-mm guns in the antitank platoon. The anti-aircraft machine gun section was eliminated with the introduction of three SA-7 surface-to-air guided missiles (SAMs) into each motorized rifle company. The battalion strength was 449.

The 1977 BMP-equipped motorized rifle battalion had 430 men and was organized as shown in Figure 7:

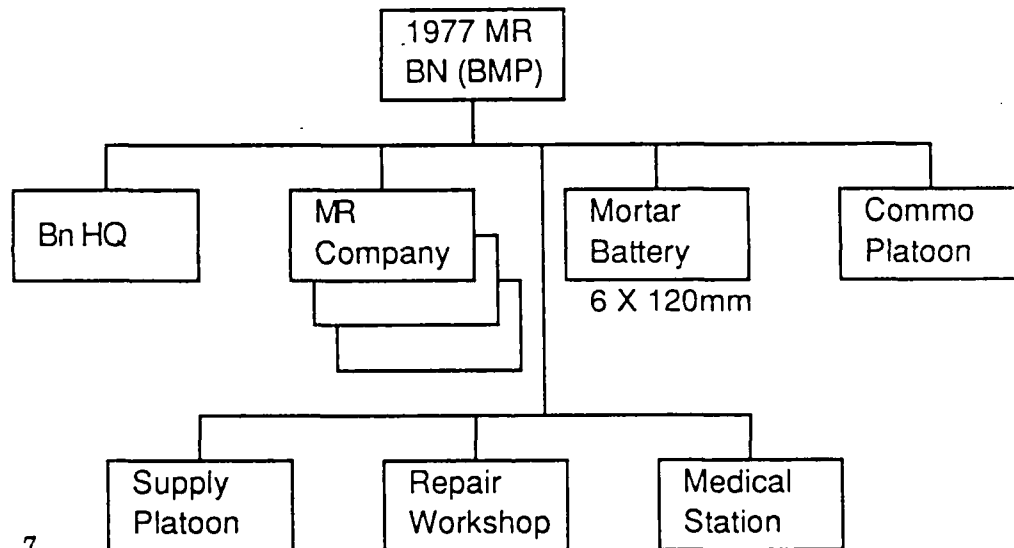


Figure 7

11

The primary difference between the BTR-equipped and BMP-equipped motorized rifle battalions was the absence of the antitank platoon in the latter. The BMP-1's 73-mm smoothbore antitank gun and ATGM launcher substituted for the antitank weapons of the antitank platoon.

The 1982 BTR-equipped motorized rifle battalion (Figure 8) was organized essentially the same as the 1977 model.

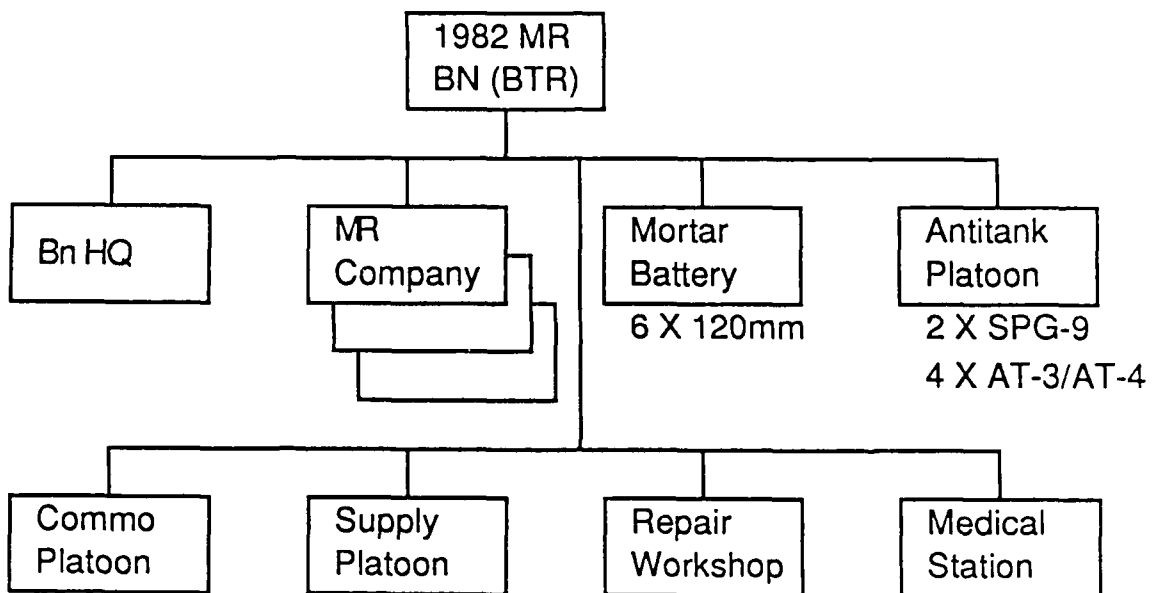


Figure 8

12

Two additional AT-3/SAGGER or AT-4/SPIGGOT antitank guided missiles were added to the antitank platoon as were two RPG-16 antitank grenade launchers. A weapons squad was created in the motorized rifle company which employed two AGS-17 grenade launchers. The battalion had 455 men.¹³

The 1982 BMP-equipped motorized rifle battalion (Figure 9) differed from its 1977 predecessor:

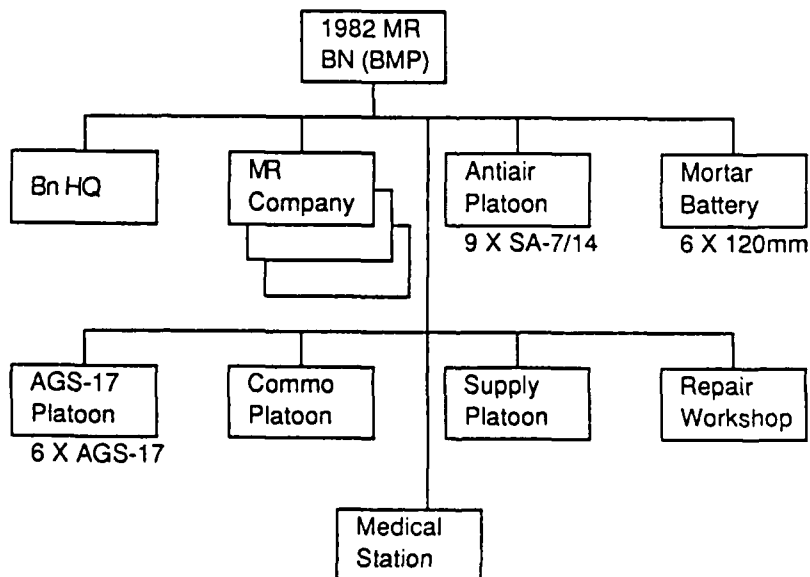


Figure 9

14

The BMP-2 with a 30-mm chain gun and antitank guided missile mounts was introduced in 1981. The nine SA-7 (or its replacement, the SA-14) shoulder-fired surface-to-air missiles were taken from the motorized rifle companies and consolidated into an antiaircraft platoon. A platoon of six AGS-17 30-mm automatic grenade launchers was established. The battalion had 432 men.¹⁵

Like the 1982 BMP-equipped battalion, the current BTR-equipped battalion has taken assets from the motorized rifle companies to form an air defense platoon and an automatic grenade launcher platoon (Figure 10).

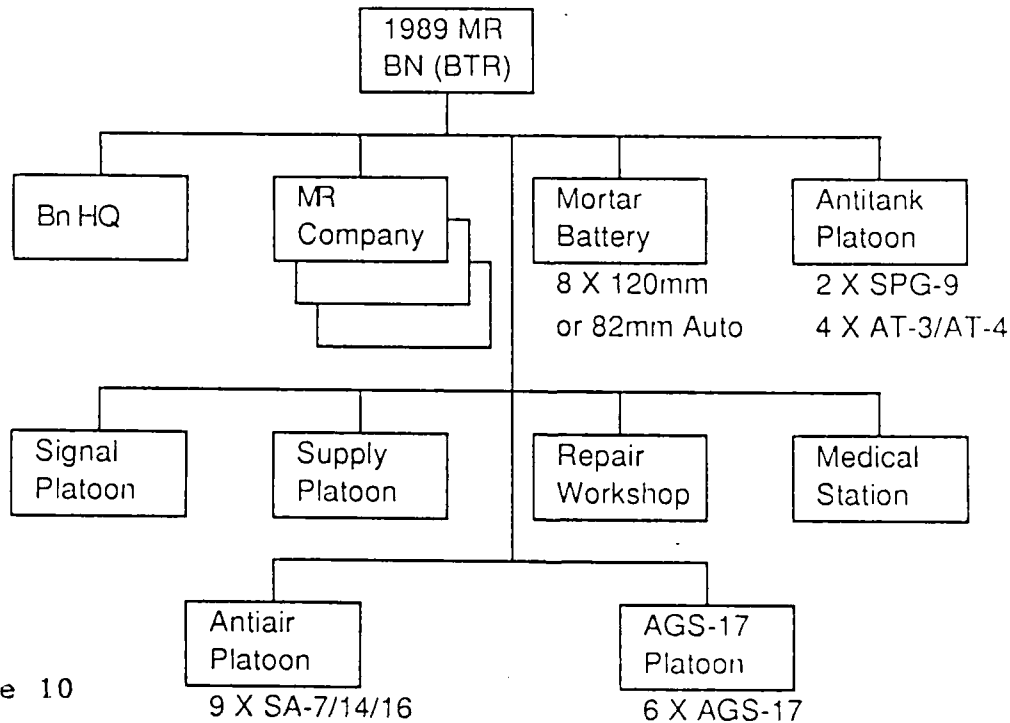


Figure 10

16

The number of mortars in the mortar battery has increased from six to eight and, in some instances, the 120-mm mortar has been replaced by the 82-mm automatic mortar (Vasilek). In the motorized rifle company, the weapons squad, which originally

contained two AGS-17 automatic grenade launchers, has been changed to a machine gun/antitank platoon containing three AT-7 antitank guided missiles and three machine guns.¹⁷

The current BMP-equipped motorized rifle battalion has not changed its force structure from 1977 but has increased to an authorized 497 personnel. This increase is due to the addition of two mortars in the mortar battery and the addition of the machine gun platoon in each of the motorized rifle companies. The BMP-equipped motorized rifle company lacks the AT-7 antitank guided missile system in their machine gun platoon, since every BMP can mount an AT-3, AT-4 or AT-5 antitank guided missile.¹⁸

Soviet tank battalion organization has also changed since World War II. In 1949, the medium tank battalion of both the tank and mechanized division consisted of 35 tanks organized as shown in Figure 11:

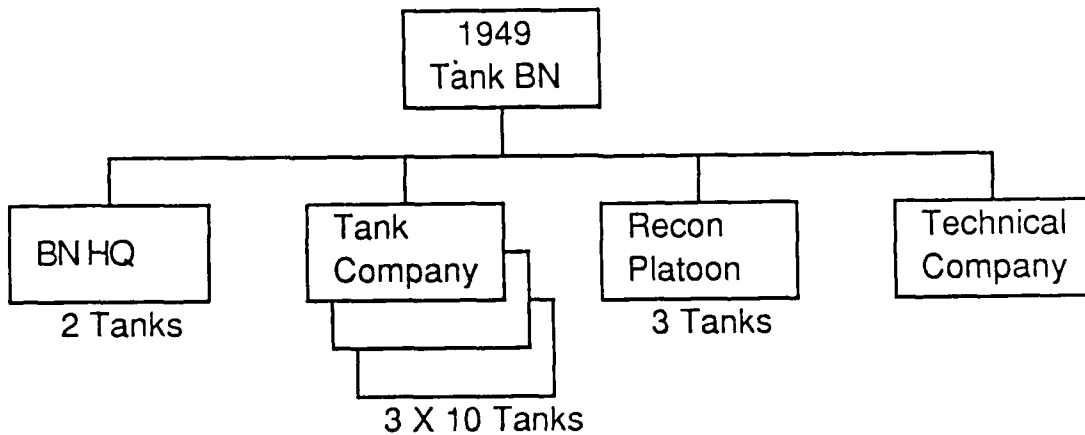


Figure 11

In 1954, the tank battalion strength decreased to 21 tanks, although the standard tank company remained at ten tanks (Figure 12).

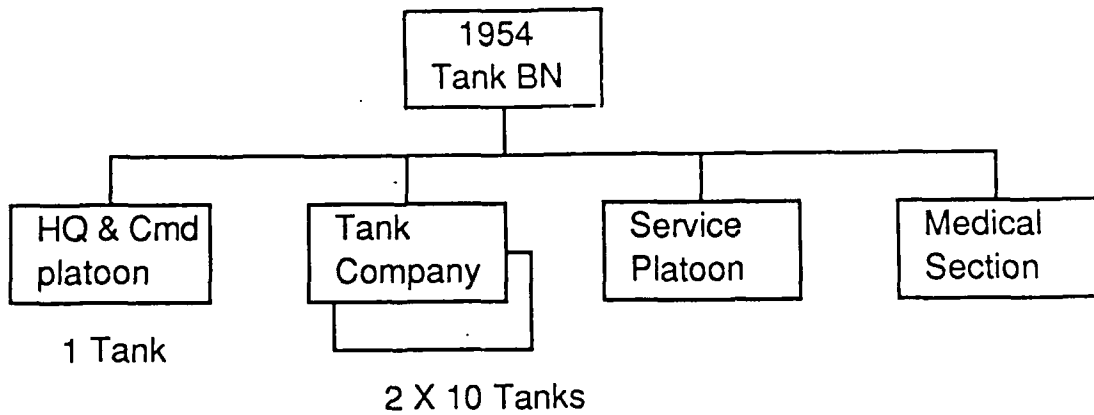


Figure 12

20

The reconnaissance platoon was eliminated, as was one entire tank company. Support elements were also reorganized.

In 1958, six tanks were added to each of the tank companies.²¹ A tank battalion of a tank regiment (Figure 13) was also organized differently than a tank battalion of a mechanized regiment (Figure 14). The tank regiment's tank battalion was organized with two companies while the tank battalion of a mechanized regiment also had two tank companies and an additional 122-mm assault gun company.

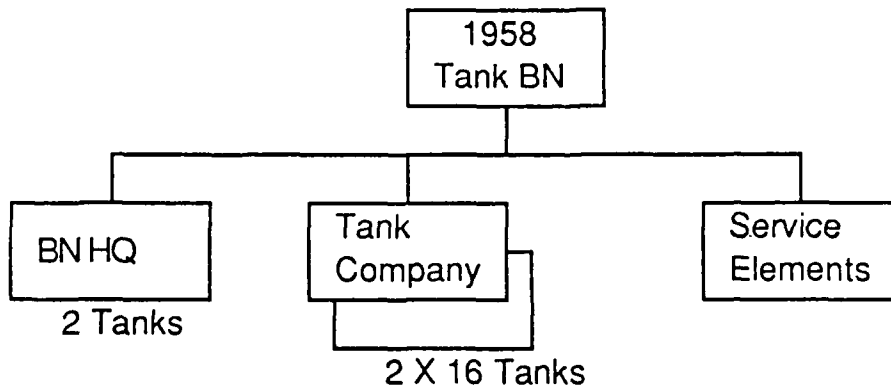


Figure 13

22

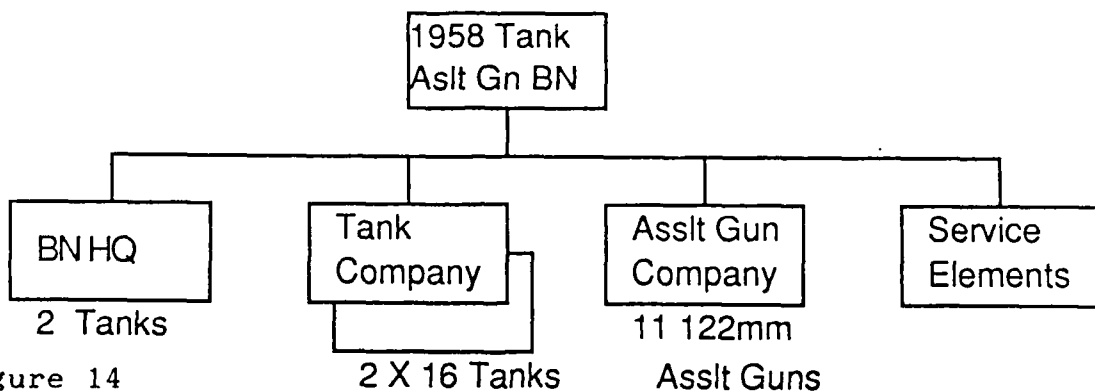


Figure 14

23

Tank battalion strength between 1960 and 1970 varied from 31 to 32 tanks (the tank in question was that of the battalion chief of staff), but the structure was uniform for all tank battalions (Figure 15).

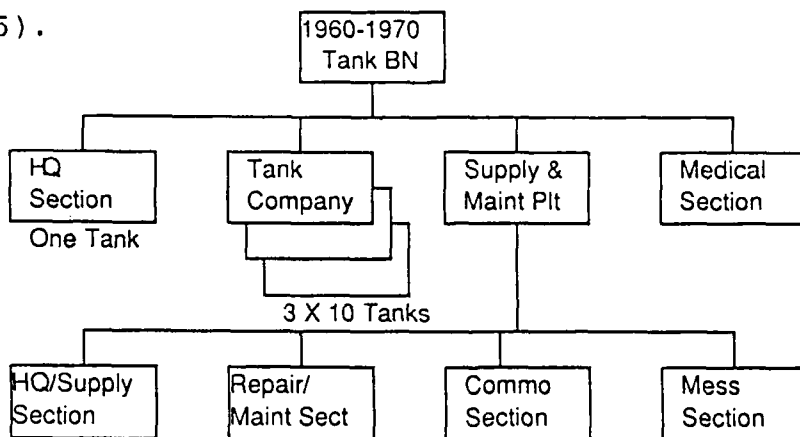


Figure 15

24

By the mid 1970s, however, the tank battalion in the motorized rifle regiment had more tanks than did the tank battalion in the tank regiment, although the battalion structure appeared identical (Figure 16).²⁵

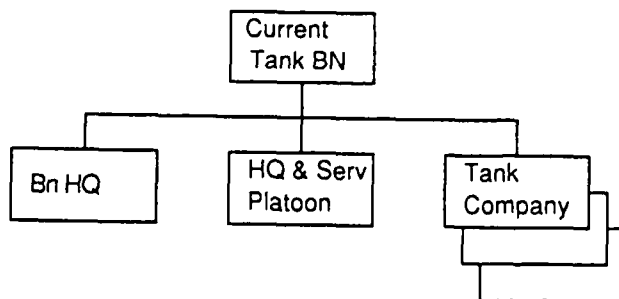


Figure 16

26

The principal difference was that the 31-tank battalion of the tank regiment had three tanks in each tank platoon, while the 40-tank battalion of the motorized rifle battalion had four tanks in each platoon, making companies of ten and thirteen tanks respectively. This structure has remained up to the present.

Given these structural changes in the motorized rifle and tank battalion since the end of World War II, an important question remains. Did the Soviets exercise these battalions as organized or did they task-organize them to fulfill particular assignments? The study of exercise experience provides an answer to this question.

METHODOLOGY

Publications such as Voyenny Vestnik [Military Herald-the Soviet official tactical monthly journal] and various tactical studies depicted battalion-sized exercises in twenty-five categories. These exercises were differentiated by type of mission (forward detachment, advance guard, flanking detachment, etc.), type of combat (attack from the march, transition to the defense, committal of second echelon battalion, etc.), specialized circumstances (night attack, river crossing, amphibious landing, etc.) or locale (desert, mountains, polar regions, etc.). Since many exercises fit into more than one of the categories (for example, a forward detachment making a night attack from the march across a river in swampy terrain could fit into any one of five categories), I have listed each exercise in only one category to avoid double counting. I then cross checked

categories to determine patterns of force organization for various types of tactical activity and then noted differences and similarities between the period of overwhelming nuclear emphasis of the early sixties and today's more balanced conventional/nuclear emphasis.

ORGANIZATION FOR COMBAT

Combined Arms: The motorized rifle battalion and tank battalion were always organized to be the nucleus of a combined arms force. In only 12 of the examined 551 exercises (2%) did a pure battalion act without attachments or supporting units. None of the 12 examples occurred after 1972. In an additional 4 examples, motorized rifle and tank battalions fought "pure" but were reinforced by additional artillery or other assets. Thus, motorized rifle and tank battalions were organized as a combined arms force 97% of the time. A motorized rifle battalion had a tank company attached 80% of the time, two tank companies attached 5 % of the time, a tank battalion attached in one instance (0.2%), two tank platoons attached 1% of the time, a tank platoon attached 0.7% of the time and no armor attached 11% of the time. In seven instances, the armor attachments were characterized as "subunits"-which can be anything from a single tank to a tank battalion. Thus, armor was attached to the 427 motorized rifle battalion examples 89% of the time.

Armor was not attached when the motorized rifle battalion had an airmobile mission. Armor was often not attached when operating in the mountains and occasionally not attached during the defense. When no armor was attached in the defense, an armor battalion normally supported the motorized rifle battalion with a counterattack. In some examples which dealt with the role of a particular supporting element (a mortar platoon, air defense platoon, artillery battery or reconnaissance platoon in support of a motorized rifle battalion), the other attached or supporting elements were mentioned in passing or not at all. Thus, it is most likely that the actual instances of attachment of armor to motorized rifle battalions exceeded 89%.

Tank battalions, however, did not receive attachments as frequently as motorized rifle battalions. In the 124 tank battalion examples, a motorized rifle company was attached 44% of the time, two motorized rifle platoons were attached 3% of the time, and a motorized rifle platoon was attached 8% of the time. In one instance, two motorized rifle companies were attached and in another instance, a motorized rifle squad was attached. In two instances, the motorized rifle attachments were characterized as subunits. The tank battalions apparently acted without motorized rifle attachments 41% of the time. For the reasons stated above, the figure for attachments may actually be higher. It is clear, however, that armored elements are much more likely to be attached to motorized rifle battalions than the reverse.

Artillery: Artillery was normally attached to or in support of both battalions.²⁷ In 37 of the 551 articles (7%), there was no mention of supporting artillery, but in only 8 of these articles was it clear that no attached or supporting artillery was employed (2%). The 427 motorized rifle battalion examples had 2 examples where 2 artillery battalions were attached to a single motorized rifle battalion (0.5%), 23 examples where an artillery battalion plus a battery were attached to a motorized rifle battalion (5%), and 187 examples where an artillery battalion was attached to a motorized rifle battalion (34%). In 13 of the 187 examples, additional artillery (a battalion or more) also supported the battalion tactical group. In 16 of the examples, nuclear strikes also supported the battalion tactical group. In another 20 exercises, 2 batteries (sometimes supported by additional artillery and nuclear strikes) were attached to a motorized rifle battalion. In 91 exercises (21%), a battery was attached to a motorized rifle battalion. Of these 91 exercises, 48 had no additional supporting artillery, 23 were supported by additional artillery, 13 were supported by additional artillery and nuclear strikes and 7 were supported by nuclear strikes. The exercises in which batteries, vice artillery battalions, were attached to motorized rifle battalions were usually during the 1960s and early 1970s (during this period, the motorized rifle battalion had its own organic artillery battery and nuclear fires played the dominant role on the battlefield). In five instances, the size of the artillery unit attached to the motorized rifle

battalion could not be determined. In 77% of the exercises, artillery was attached to the motorized rifle battalion.

In 18% of the exercises, artillery was used to support the motorized rifle battalion. Usually artillery was in support during the defense or during an attack against a prepared defense. In five exercises, multiple battalions supported a single motorized rifle battalion; in one exercise, an artillery battalion and a battery were supported a single motorized rifle battalion and in 59 exercises, an artillery battalion supported a motorized rifle battalion. In 14 of these 59 exercises, the supporting artillery battalion was reinforced with nuclear strikes. In an additional 13 exercises, supporting artillery was mentioned, but the size of that artillery could not be determined.

Tank battalions had attached or supporting artillery in 87% of the exercises. When tank battalions exercised with artillery, it was attached 86% of the time. In 3 instances, an artillery battalion plus a battery were attached (3%) and in 74 exercises (80%) an artillery battalion was attached. In 8 of these 74 exercises, the attached battalion was supported by nuclear strikes or additional artillery. In four exercises, two batteries were attached to the tank battalion and in ten exercise, a battery was attached to a tank battalion. In one instance, the size of the attached artillery could not be determined. When artillery was placed in support of a tank battalion (13%), it was usually an artillery battalion (56%) but

could be as much as two battalions or as little as a battery. In 16 of the instances, artillery was not mentioned (17%). Thus, artillery is most often attached to rather than in support of tank battalions and the attachment is usually an artillery battalion.

Engineers: Engineer attachment to the maneuver battalion did not always occur or, at least, was not always reported. Of the 427 motorized rifle battalion examples, engineers were attached in 243 instances (62%). Of these, 21 exercises featured an attached engineer company (9%), 23 exercises featured 2 attached engineer platoons (10%), 202 exercises featured an attached engineer platoon (83%), 6 exercises featured an attached engineer squad (3%), 1 exercise featured 2 attached of a non-specified subunit (4%). Thus, engineer units were attached more often than not to motorized rifle battalions and the most common attachment was an engineer platoon. The primary determinant of the size and type of engineer units and equipment attached was the mission and terrain.

Of the 124 tank battalion examples, engineers were attached in 71 instances (57%). Of these, 4 exercises featured an attached engineer company (6%), 12 exercises featured the attachment of 2 platoons (17%), 41 exercises featured an attached engineer platoon (58%), 11 exercises featured an attached engineer squad (15.5%), 1 exercise featured attachments in excess of an engineer company (1%), and 2 exercises featured the attachment of unspecified engineer subunits (3%). Thus,

engineer units were attached to tank battalions just over half the time and the most common attachment was an engineer platoon.

Engineers were attached for a variety of tasks, the most common of which were river crossings, road maintenance, reconnaissance, obstacle breaching and obstacle emplacement. Terrain and the enemy were the primary factors in determining attachment of engineers.

Reconnaissance: Reconnaissance units were seldom attached to motorized rifle and tank battalions, but usually were in support of them, particularly in the advance guard and forward detachment, and in transitioning to defense. In virtually all instances, the battalion constituted its own reconnaissance platoon from a second echelon company's platoon and relied on additional reconnaissance support from higher headquarters.

Air Defense: Air defenses were seldom attached to tank and motorized rifle battalions, as the battalions relied on their organic air defenses. In the 427 motorized rifle battalion exercises, air defense forces were attached in only 90 exercises (21%). Of these, 31 of the exercises featured an attached air defense battery (34%), 58 of the exercises featured an attached air defense platoon (64%), and 1 exercise featured the attachment of an undetermined subunit (1%).

In the 124 tank battalion exercises, only 25 involved the attachment of air defense forces (20%). In these 25 exercises, 6 featured an attached air defense battery (24%), 18 featured an

attached air defense platoon (72%) and 1 exercise featured the attachment of an undetermined subunit (4%).

Air defense forces were likely to be attached to forward detachments and advance guards, march columns and when conducting river crossings.

Antitank: Antitank elements were seldom attached, probably since the motorized rifle and tank battalions have always had a potent, organic antitank capability, and the Soviets like to have large antitank reserves with which to influence the battle. Of the 427 motorized rifle exercises, only 37 (9%) involved the attachment of antitank elements (1 antitank battalion, 17 antitank batteries, 12 antitank platoons and 7 subunits). Of the 124 tank battalion exercises, only 3 (2%) involved the attachment of antitank elements (1 battery and 2 platoons). Antitank units were normally held by the higher headquarters as part of the antitank reserve and placed in support of maneuver battalions.

Chemical and radiological reconnaissance: The chemical and radiation reconnaissance squad was a common attachment, particularly for the forward detachment and advance guard missions. Of the 427 motorized rifle battalion exercises, 151 (35%) had a chemical and radiation reconnaissance squad attached. Of the 124 tank battalion exercises, 42 (34%) had a chemical and radiation reconnaissance squad attached.

General findings: During the exercises, Soviet battalions normally functioned as combined arms groups, but only with

attachments. The most common grouping was a motorized rifle battalion with a tank company, an artillery battalion, and an engineer platoon. The most common tank battalion organization for combined arms combat was the tank battalion with a motorized rifle company, an artillery battalion and an engineer platoon. Tank battalions were less likely to organize as combined arms battalions. Both motorized rifle and tank battalions were most likely to organize into combined arms groups to function as a forward detachment, advance guard, in the attack from the march, or when forcing a river crossing. The attachments have tended to increase in number and size from 1975 onward. This may have produced a contemporary Soviet judgement that reinforcing or attached elements should be organically included in future battalions to make them truly combined arms in their own right.

These combined arms groups are suited for maneuver warfare and seem to fit the Soviet view of future war. The Soviets believe that the future battlefield will be a high tempo, lethal arena in which the meeting battle will be the primary form of combat. The prolonged, linear struggle against a prepared defender with tied-in flanks must be avoided despite enemy efforts to impose it, since this would heighten the possibility of the war becoming nuclear and facilitate targeting by the adversary. The changing Soviet concept of future war will require units which are organized and equipped differently than in the past and today. Units must be more self-sufficient on the fragmented future battlefield.²⁸ The Soviets envision the use of

a TO&E combined arms structure down to battalion level, with the combined arms battalion clearly a candidate for becoming the standard maneuver unit of the future.²⁹ Only other realities, such as political and economic difficulties or a deception system for converting a peacetime structure into a wartime structure would preclude or delay peacetime creation of these battalions.

THE COMBINED ARMS BATTALION

The optimum organization for the combined arms battalion would be one designed for maneuver warfare which resembles the forward detachment of the past, i.e., a tactical grouping with both defensive and offensive applications. It should contain armored, motorized rifle, artillery, air defense, chemical and radiological defense, reconnaissance and engineer forces. In all variants, either the motorized rifle battalion or the tank battalion could form a nucleus for the combined arms battalion. Exercise experience demonstrates that the motorized rifle battalion is more likely to be reinforced than is the tank battalion. Furthermore, the current motorized rifle battalion structure is more adaptable to combined arms conversion than is the tank battalion. Therefore, the current motorized rifle battalion structure is used as the base for the following variants.

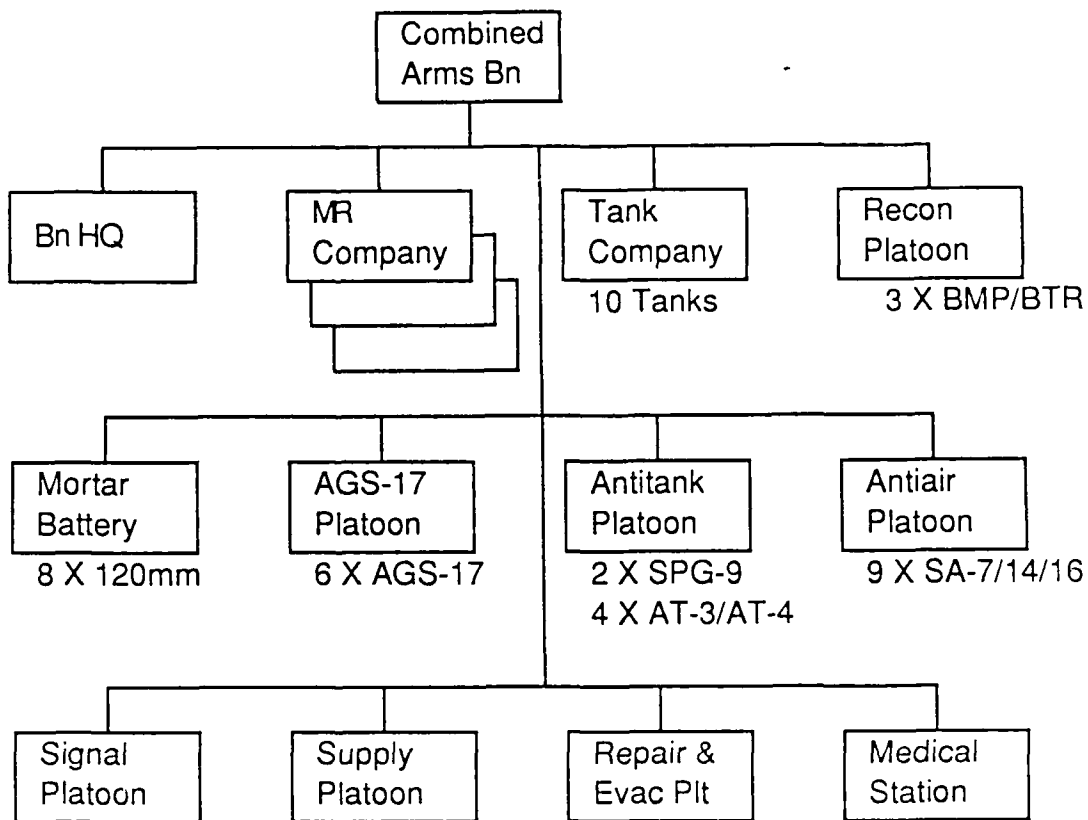


Figure 17

This first variant combines all the essentials except for sufficient artillery and engineer forces (Figure 17). The mortar battery and AGS-17 platoon provide indirect and direct fire capability, but still lack the punch of the normally attached artillery battalion. Engineer forces are not included in this variant since the introduction of battalion-level engineers will probably be postponed until sufficient forces and equipment are available. A chemical and radiation reconnaissance squad is embedded in the battalion headquarters and the repair and evacuation detachment of the current motorized rifle battalion has been upgraded to a platoon in order to service the additional tank company. The supply platoon will also require additional transport.

A reconnaissance platoon is also included because of the shortcomings inherent in assigning elements from the motorized

rifle companies to this role. Almost all exercise examples employed a reconnaissance platoon, normally from a second echelon company. Since the Soviet army is a conscript army, the platoon can be well trained as either a reconnaissance platoon or a motorized rifle platoon. It cannot do both successfully.³⁰ Therefore, probably only one platoon in the battalion is well-trained as a reconnaissance platoon. This fact dictates that the battalion commander must habitually assign the parent company of the reconnaissance platoon as the second echelon company and means that the second echelon can never be committed at full combat strength. There is a clear advantage inherent in an organic, dedicated, battalion-level, reconnaissance element.

The current battalion has another problem, a readiness imbalance experienced every six months in troop rotation when the Soviets create companies manned by members of the same call-up. Thus, in a single battalion, there may be seasoned companies which have served from six months to over a year serving side by side with a company of new recruits. This status may be acceptable for motorized rifle companies, but a battalion cannot afford to have its reconnaissance platoon composed entirely of new recruits, the reconnaissance element is too vital. Thus, the reconnaissance platoon responsibility must either be rotated from one company to the next (with predictable degradation in the level of training) or a reconnaissance platoon must be established that will be able to function effectively despite troop rotation. Further, a three-squad reconnaissance platoon

seems ideal. The combined arms battalion tank company will usually be in support of the motorized rifle companies or will be in the second echelon. Thus, the maximum number of reconnaissance squads normally required will be three.

Such a combined arms battalion variant seems to be a reasonable first step. It integrates into the battalion essential armor and reconnaissance elements and provides an ideal training vehicle for combined arms commanders. The force, however, is still light in fire support and engineers. Hence an artillery battalion and engineers would continue to be attached as required.

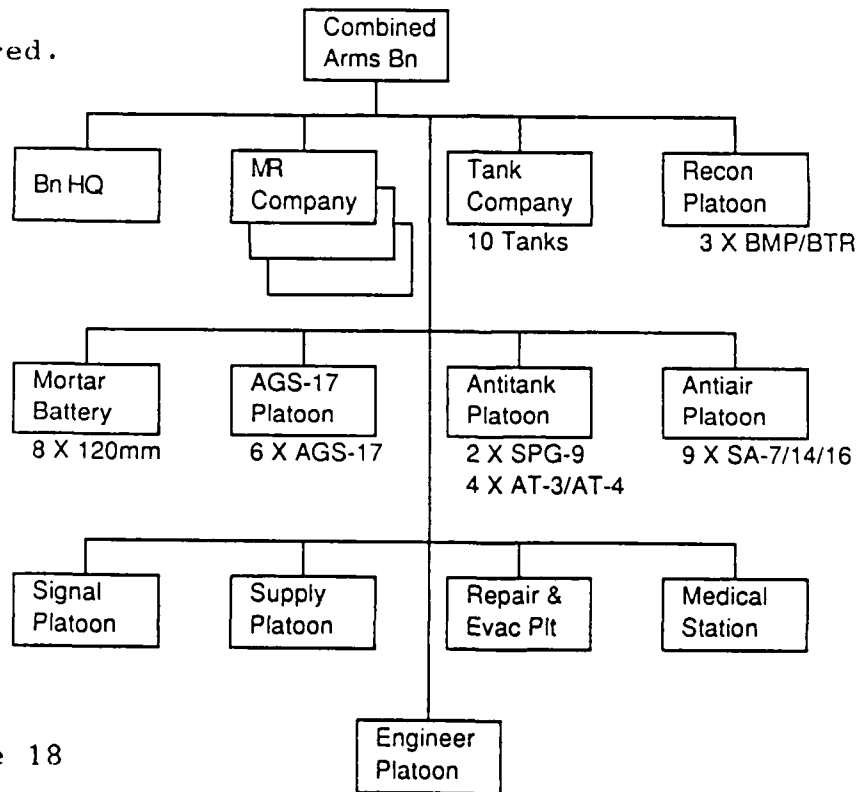


Figure 18

A second variant of the combined arms battalion is an evolutionary development of the first (Figure 18). It adds an engineer platoon to meet stated Soviet requirements for movement support and obstacle emplacement at tactical levels. As shown by

the exercises, engineers would construct fortifications, emplace mines and obstacles, clear minefields and obstacles, support the deception and camouflage plan, support river crossings, maintain roads, provide water, conduct rescue and restoration following nuclear strikes and conduct engineer reconnaissance. Many of these functions are beyond the capability of one conscript engineer platoon, and so additional engineer forces will be attached as needed. As a minimum, the battalion's engineer platoon should have a limited water crossing capability (MTU or follow-on), a mine-laying capability (PMR-3), a mine-clearing capability (KMT-4/5 mine plows and mine rollers), carriers and explosives.³¹

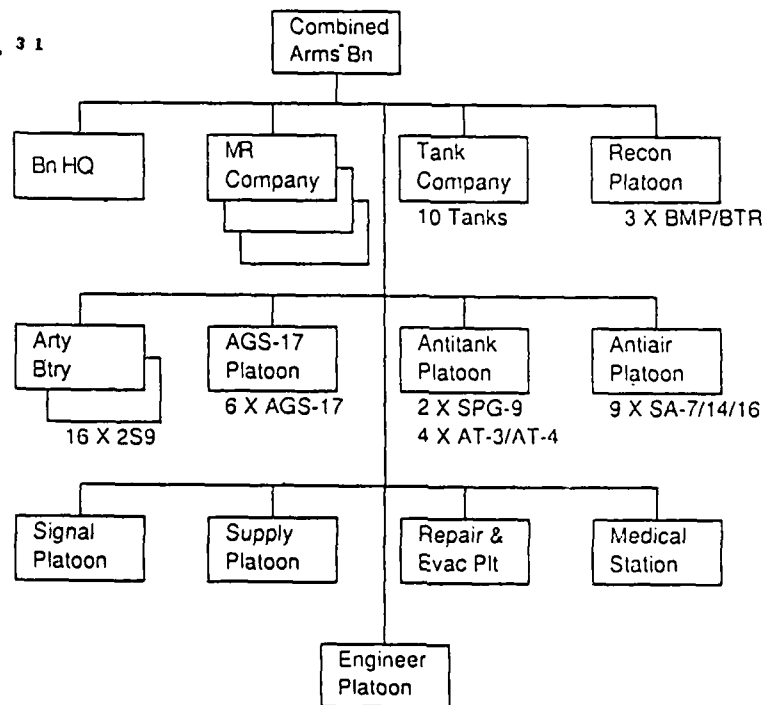


Figure 19

The final two variants of the combined armed battalion are an evolution of the first two and address the problem of fire support and span of control. The third variant (Figure 19) replaces the mortar battery with two artillery batteries of 2S9

combination guns. The combination gun is capable of the trajectories of the mortar and howitzer and can also perform direct fire missions. Apparently, however, its range is limited and its rate of fire is less than that of a mortar. This variant will not replicate the firepower of an attached artillery battalion.

A much bigger problem exists. There are too many units for the battalion commander to control. The optimum span of control is from five to ten separate entities.³² With the limited battalion staff and the numerous entities, functions either need to be returned to the companies (such as air defense and the AGS-17 grenade launcher) or the force needs to be restructured to facilitate the commanders span of control.

A fourth combined arms variant addresses this span of control problem (Figure 20). Whereas the Western solution is to create headquarters and combat support companies, the Soviet solution is to group entities under various deputy commanders. This variant adds a battalion deputy commander for the rear--a step that the Soviets have debated since the mid-1970s.

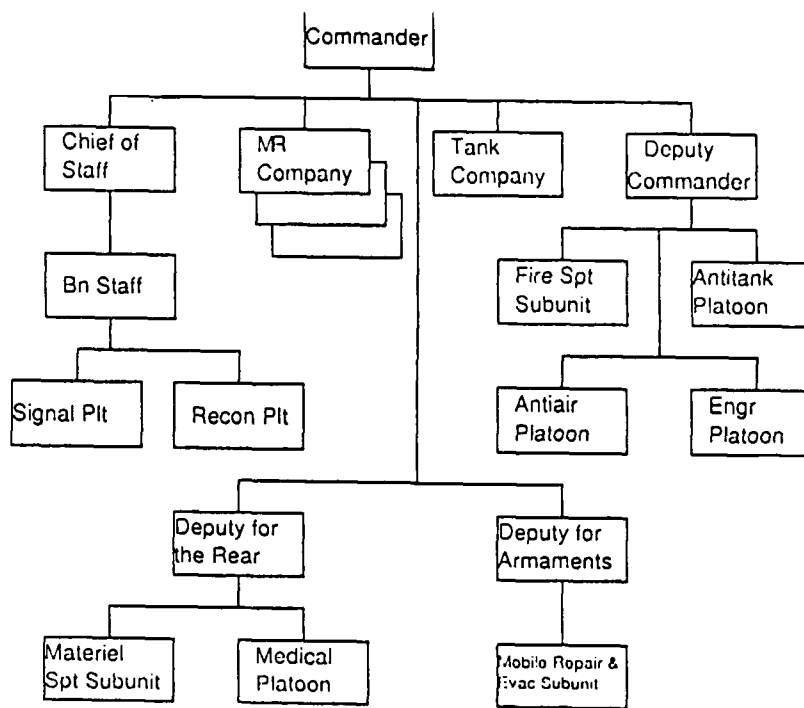


Figure 20

The Chief of Staff is a deputy commander and already controls the battalion signal officer (who is also the signal platoon leader). The Chief of Staff would also control the new battalion staff intelligence officer (the reconnaissance platoon leader) in an arrangement similar to that currently practiced at regiment. The battalion deputy commander would control the other staff elements. The deputy commander for armaments would control the expanded mobile repair and evacuation subunit, while the additional deputy, the deputy for the rear, would control the new battalion materiel support subunit and the medical platoon.³³ The commander now has 8 entities to control instead of 14. Further, the commander now has a fire support element integrated into his force structure. The engineer platoon has been reinforced with PTS and GSP ferries to facilitate river crossings. This structure replicates the most common battalion tactical grouping of the 551 exercises. A major difficulty remaining is that this is a very large organization. Since the majority of Soviet battalion commanders are senior captains or

junior majors, this organization may prove too cumbersome for these officers to manage effectively in garrison, even with an augmented staff.

The remaining problem is determining the most effective fire support element. Based on exercise experience, an artillery battalion or battalion-sized element is normally considered sufficient. An optimum battalion fire support group might look like Figure 21.

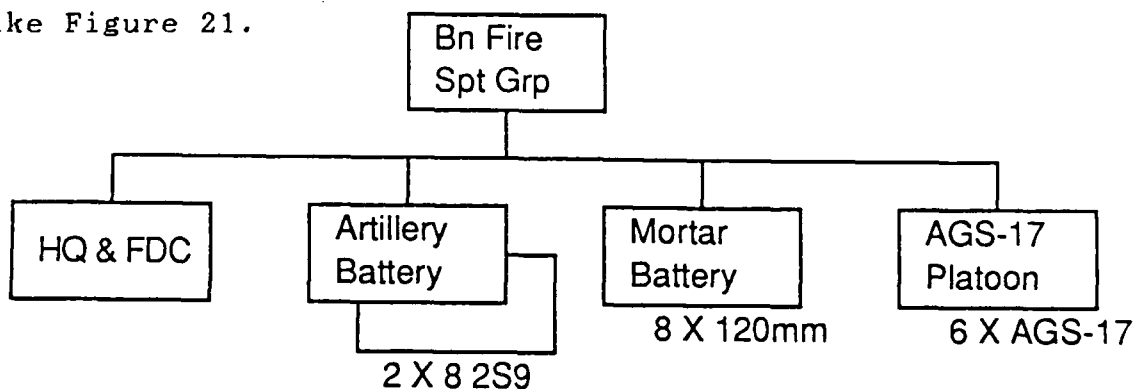


Figure 21

This battalion fire support group employs two batteries of the 2S9, the 120-mm mortar battery and the AGS-17 platoon. Since the combined arms battalion is optimized for maneuver warfare, centralized fire planning from above will not normally prove effective, and a responsive fire direction center is necessary. Creating a battalion-sized group within a battalion does have some drawback and there are no apparent historical precedents for the permanent subordination of a battalion within a battalion.

Another possibility relies on future technology to solve the fire support problem. If the technology of the 82-mm Vasilek automatic mortar could be applied to a 120-mm combination gun and

this gun mounted on a 2S1, MTLB or similar chassis, the new system should be able to carry enough ready ammunition and achieve a rate of fire that two batteries (perhaps even one) could do the job currently performed by the attached artillery battalion. If this were the case, the following fire support subunit (Figure 22) could be created:

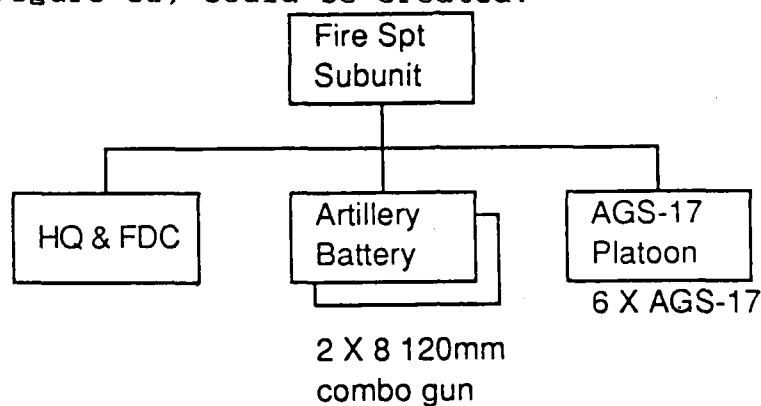


Figure 22

A rapid fire, multi-trajectory weapons system could well solve the fire support problem and provide sufficient lethality while remaining manageable. This then might prove the optimum fire support subunit for the combined arms battalion.

CONCLUSIONS

The combined arms battalion offers a force structure to Soviet force planners that clearly has been tested and evaluated. They must now decide whether they want to structure tactical forces in peacetime as they would organize them for combat. If so, the combined arms battalion would support either offensive or defensive combat actions and fit the Soviet view of a future war that envisions rapid shifts between the two forms of combat and emphasizes maneuver. What the formation of the

combined arms battalion could represent is a decision to do in peacetime organization what the Soviets have routinely done in exercise and war through attachment.³⁴ This permits units and subunits to habitually train in all circumstances with a complete combined arms mix.

Tactical units and subunits are the building blocks upon which operations are built. Emerging operational concepts subsumed under the Warsaw Pact "defensive doctrine" may place more emphasis on initial defense and feature units and formations in the force structure designed to fulfill such functions. Maneuver forces, perhaps built around the combined arms battalion with its organic direct support tanks and artillery, would counterattack enemy breakthrough forces or pass through the defenses to meet the enemy in a series of meeting battles. After the main enemy groupings had been defeated or forced to ground, deep exploitation forces from the interior (primarily mechanized or tank heavy) would attack deep into the enemy territory to seize those crucial points that would insure the success of the ground offensive/counteroffensive. Whether the Soviets adopt a combined arms battalion to help meet operational requirements or continue to use attachments to create provisional battalion tactical groups prior to exercises, during crisis or before commitment is an issue now being considered by Soviet planners.

ENDNOTES

1. This view is developed most fully in V. G. Reznichenko, Taktika [Tactics] (Moskva: Voenizdat, 1987), p. 65 and throughout D. A. Dragunskiy, Motostrelkovyy (tankovy) batal'on v boyu [The motorized rifle (tank) battalion in combat] (Moskva: Voenizdat, 1986).
2. Reznichenko, Taktika, p. 208.
3. A. Bagaev, "S pozitsii teorii upravleniya" [From the position of a theory of control], Voyenny vestnik [Military herald], No. 1 (January 1989), 49-50. The author, who is not military, but is writing in a professional military journal, is a senior science researcher in an all-union scientific institute for the improvement of control. His contention is that the optimum span of control for a battalion is between five and ten subordinate entities. He also posits the seven-company battalion consisting of five motorized rifle companies and two tank companies and other variations.
4. For a discussion of the restructuring issue, see David M. Glantz, "Force Structure--Meeting Contemporary Requirements", Military Review, Volume LXVIII, No. 12 (December 1988), 58-70.
5. M. M. Kir'yan, Voyenno-tekhnicheskii progress i vooruzhennyye sily SSSR [Military-technical progress and the armed forces of the USSR] (Moskva: Voenizdat, 1982), 298-299.
6. The War Office, The Soviet Army: Tactics and Organization (London: The War Office, 1949). Pp. 81 & 83.
7. Office, Assistant Chief of Staff, G-2, Soviet Army Organization: The Mechanized Division (Wartime), (Washington: January 1954).
8. Department of the Army Pamphlet No. 30-5-1, Handbook on the Soviet Army, (Washington: US Government Printing Office, 1958), p. 75 and A. A. Babakov, Vooruzhennyye sily SSSR posle voyny [The armed forces of the USSR after the war], (Moskva: Voenizdat, 1987), Pp. 83-92.
9. Defense Intelligence Agency, Soviet Armed Forces (U): Motorized Rifle Regiment (Washington: US Government Printing Office, June 1966), p. 5.
10. Defense Intelligence Agency, The Soviet Motorized Rifle Battalion (Washington: US Government Printing Office, September 1978), p. 26. Department of the Army, FM 30-40: Handbook on Soviet Ground Forces (Washington: US Government Printing

Office, 30 June 1975), Pp. A-6, A-7. Christopher Donnelly, "The Soviet Ground Forces", The Soviet War Machine (New York: Chartwell, 1976), pp. 156, 158. Friedrich Wiener and William J. Lewis, The Warsaw Pact Armies (Vienna: Carl Ueberreuter Publishers, 1977), p. 73.

11. Ibid.

12. Department of the Army, FM 100-2-3, The Soviet Army: Troops, Organization and Equipment (Washington: US Government Printing Office, 16 July 1984), p. 4-4.

13. Ibid., pp. 4-3, 4-4 & 4-6.

14. Ibid. p. 4-24.

15. Ibid. p. 4-4.

16. Department of the Army, FM 100-2-3 (DRAFT) The Soviet Army: Troops, Organization and Equipment, (Fort Leavenworth, November 1988), p. 4-4.

17. Ibid. p. 4-3. A. S. Noskova, Motostrelkovaya (tankovaya) rota v boyu [The motorized rifle (tank) battalion in combat], (Moskva: Voenizdat, 1988), p. 11.

18. Ibid., p. 4-24.

19. The War Office, p. 83.

20. Assistant Chief of Staff G-2.

21. There was a net increase in the mechanized division from 185 tanks to 227 tanks - a gain of 23%.

22. Department of the Army Pamphlet 30-50-1, p.72.

23. Ibid., p. 74.

24. Department of the Army Pamphlet No. 30-77, Soviet Tactics: Medium Tank Regiment (Washington: US Government Printing Office, November 1960), p. 6. Defense Intelligence Agency, Soviet Armed Forces: Motorized Rifle Regiment (Washington: US Government Printing Office, June 1966), p. 6. Defense Intelligence Agency, Soviet Armed Forces: Medium Tank Battalion (Washington: US Government Printing Office, September 1970), p. 3.

25. FM 30-40, p. A-13.

26. FM100-2-3, p. 4-100 and 4-14.

27. Attached artillery (pridannaya artilleriya) is directly subordinated to the commander of the force to which it is attached. Attached artillery is normally exclusive and fires only those missions assigned by the force commander. (In an emergency, fire missions for a senior commander may be fired. Supporting artillery (podderzhivayushchaya artilleriya) is under the command of the senior artillery commander and fires assigned missions established by the combined arms commander. Thus a supporting artillery battalion may be in support of several maneuver battalions, whereas an attached artillery battalion will fire exclusively for one maneuver battalion/regiment. V. Ya. Lebedev, Spravochnik ofitsera nazemnoy artillerii [Field artillery officer's handbook], (Moskva: Voenizdat, 1984), 8. A. M. Plekhov, Slovar' voyennykh terminov [Dictionary of military terminology], (Moskva: Voenizdat, 1989), 212 and 227.

28. On a fragmented battlefield, it is difficult to provide reinforcements in a timely manner. Thus, if a battalion has lost the initiative and is forced into a defense while isolated from the rest of the regiment/brigade, it must be capable of handling the battle on its own. The combined arms battalion would be more capable of handling this situation than the current motorized rifle or tank battalion.

29. David M. Glantz, "Soviet Force Structure in an Era of Reform," (Ft. Leavenworth, KS: Soviet Army Studies Office, 1989). This study discusses several variants of future Soviet force structure in light of current Soviet writings, combat and exercise experience, and announced troop reductions. Lester W. Grau, "Changing Soviet Objective Depths: A Reflection of Changing Combat Circumstances," (Ft. Leavenworth, KS: Soviet Army Studies Office, 1989). This study discusses the Soviet concept of future war and its impact on objective depths. It should be remembered that Soviet operational forces have had a different wartime structure than that of the prewar structure. Soviet force planners need to decide whether the advantages gained by prestructuring tactical units and training tactical units in peacetime with their wartime structure outweigh the advantages of tactical surprise gained by confronting their opponent with an unfamiliar force structure during crisis and war.

30. F. I. Gredasov. Podrazdeleniya v razvedke [Subunits in reconnaissance], (Moskva: Voenizdat, 1988). This book lays out the involved nature of reconnaissance training and demonstrates that while some reconnaissance skills can be taught to all the soldiers, the development of a reconnaissance unit requires time and specialization.

31. E. S. Kolibenov, V. I. Kornev, and A. A. Soskov. Inzhenernoye obespecheniye boya [Engineer combat support], (Moskva: Voenizdat, 1988). This book does not give the ideal engineer platoon composition for a combined arms battalion, but

does provide an excellent overview of the work of combat engineers.

32. Bagaev, 50.

33. The other deputy, the deputy for political affairs, has not been given any additional responsibilities. Job descriptions and relationships are discussed in Yu. M. Artyunov, Shtab batal'ona v boyu [The battalion staff in combat] (Moskva: Voenizdat, 1988) and in the 1989 Combined Arms Regulations published as a supplement to Krasnaya Zvezda [Red Star] on 11 July 1989.

34. It is also possible that to conceal their wartime structure the Soviets could retain key elements of combined arms battalions, such as a tank company, under regimental control in a single battalion. Companies of the battalion could train and exercise with a specific battalion, but only integrate fully into the combined arms battalion during mobilization.

APPENDICES:

- A Forward Detachment
- B Advance Guard
- C Meeting Battle
- D River Crossing
- E Attack from the March
- F Attack from a Position in Direct Contact
- G Committal of a Second Echelon Battalion
- H Battle in the Depth of the Enemy Defense
- I Transitioning to the Defense
- J Defense
- K Security Detachment
- L Counter Air Assault Reserve
- M Withdrawal
- N Night Combat
- O Combat in Swampy, Forested Terrain
- P Combat in Mountains
- Q Combat in Polar Regions
- R Protection against Weapons of Mass Destruction
- S Relief in Place
- T March
- U Combat in the Desert
- V Amphibious Landing
- W Tactical Air Assault
- X Combat in Built Up Areas/Fortified Zones
- Y Combat under Winter Conditions

Entries with transliterated titles were consulted in the original source document. The title Military Herald indicates that the author did not have access to the original Voyenny Vestnik and had to rely on a translation.

Appendix A- Battalion composition-Forward Detachment

<u>Source</u>	<u>Bn w/attachments</u>	<u>Organic</u>
<u>Sovetskoye Voyennoye Obozreniye</u> 2/89 "Vzaimodeystviya s desantom" [Coordination with an (air) assault]. Concerns Fwd det seizing a river crossing site.	Tank Bn SP Arty Bn MR Company ZSU 23-4 plt Engr platoon GSP platoon	
<u>Voyennyy Vestnik</u> 11/88 "V peredovcm otryade"[In a forward detachment]. V. Vadishchevich. Concerns Fwd det defending and withdrawing in security zone in single echelon with MR plt & TK plt as reserve.	MR Bn (BMP) Arty Bn Tank Company AD Btry Engr Company	Mort Btry
<u>Voyennyy Vestnik</u> 4/87 "Takticheskaya zadacha No. 6" [Tactical problem No. 6]. Concerns attack across a river in conjunction with a company sized air assault.	Tank Bn SP Arty Bn MR Company (BMP) ZSU 23-4 platoon Engr platoon GSP ferry platoon	
<u>Peredovyye otryady v boyu</u> [Forward detachments in combat]. F. D. Sverdlov. (Moskva: Voenizdat, 1986). River crossing (p. 85).	Tank Bn Arty Bn (minus one btry) MR Company Recon platoon Engr platoon Aslt crossing plt (3 PTS) Two Tk recovery vehicles Chemical recon sqd	
Seize a river crossing site in conjunction with a tactical air assault and support the crossing of the main force (p. 87).	MR Bn Arty Bn Tank Co AD Msl & Arty Btry Engr plt Aslt Xing plts (6 PTS, 2 GSP) Bulldozer tank Chemical recon sqd	Mort Btry AT plt

Exploit a nuclear strike to penetrate into an enemy tactical defense zone (p. 107).

Tank Bn (minus co)
Arty Bn
MR Co (BTR)
Recon platoon

Conduct a meeting battle to seize a line in advance of the main body (p. 182).

Tank Bn
Arty Bn
AD Msl & Arty Btry
Engr platoon

Seize a line from the enemy in a meeting battle (p. 183).

Tank Bn
Arty Bn
MR Co

Meeting Engagement (p. 184).

Tank Bn
Arty Bn
MR Co

Support: Aviation

Meeting Engagement (p. 185).

Tank Bn
Arty Bn
MR Co

Voyennyy Vestnik 5/86. "Svyaz' v peredovom otryade" [Communications in a forward detachment]. V. Perelygin. Concerns communication in night action.

MR Bn (BTR) AD plt
Arty Bn AT plt
Tank Company AGS 17 plt
Engr platoon Mort Btry
Chem recon sqd Supply plt

Voyennyy Vestnik 11/85. "Peredovoy otryad forsiruyet reku" [The forward detachment forces a river crossing]. L. Smishchenko.

Tank Bn
Sp Arty Btry
Mortar Btry
MR Company
Assault Crossing Company
Engr platoon
Pontoon platoon
GSP platoon
Chem recon sqd

Voyennyy Vestnik 8/81. "Takticheskaya zadacha" [Tactical problem]. Forward detachment forces a river crossing.

MR Bn (BMP)
Arty Bn
Tank company
Engr platoon
GSP platoon
Engr recon sqd
Chem recon sqd

Voyennyy Vestnik 7/81. "Svyaz' v peredovom otryade" [Communications in a forward detachment]. A. Tukhonov. Concerns signal support in a forced

MR Bn
Arty Bn
ZSU 23-4 platoon
Engr platoon

river crossing.

Chem recon sqd

Voyennyy Vestnik 12/80. "V interesakh peredovogo otryada" [In the interests of the forward detachment]. V. Zhukov and E. Fedotov. Concerns engineer support of a forced river crossing.

MR Bn
Arty Bn
Tank Company
Engr platoon w/ BAT-M, MTU, and mine-laying capabilities.

Voyennyy Vestnik 1/77.

"Vosstanovleniye boyesposobnosti v nastuplenii" [The restoration of combat potential during an advance]. B. Gudymenko. Operating in the enemy depths to seize a river crossing site, the forward detachment is struck by chemical strikes and a nuclear strike. Regimental artillery group supports the forward detachment.

Tank Bn
Arty Bn
2 MR plts
GSP plt
Chem recon sqd

Voyennyy Vestnik 12/75.

"Artilleriya v atakuyushchem boyevom poryadke" [Artillery in the attack formation]. V. Krysanov.

Tank Bn
Arty Bn
Engr platoon
Chem recon sqd

Voyennyy Vestnik 2/73. "B sostave peredovogo otryada" [In the make-up of a forward detachment]. F. Kuznetsov. Actions in the depth of an enemy defense.

Tank Bn Bn rear
Arty Bn
ZSU 23-4 platoon
Chem recon sqd

Tankovyy batal'on v boyu [Tank battalion in combat]. P. I. Konoplya & N. A. Maykov. (Moskva: Voenizdat, 1972). p. 45. When battalion moves as part of the main body, attachments are MR platoon, engineer platoon and MTU. Forward detachment and advance guard are identical in composition.

Tank Bn Tech point
Arty Bn Bn Rear
MR platoon Med point
AD platoon
Engr platoon
MTU
Chem recon sqd

Military Herald 6/71. "Tank battalion as a forward detachment". V. Sayko & A. Timoshenko. Article concerns actions of a forward detachment in a river crossing. Translation states that the forward detachment had an artillery division attached to it. Continually throughout the translations, the translator apparently confuses divizion (artillery battalion) with diviziya (division). This lack of familiarity with military terminology

Tank Bn
Arty Bn
MR Company
AA plt (ZSU 23-4)
Engr plt (GSP, PTS)
Road maint platoon
AT platoon
Chem recon sqd

runs throughout the translations. For example, this article states that a regimental forward detachment consists of a tank brigade, two artillery divisions, a mountain rifle platoon, etc. The 3d platoon of the 3d tank company acting as a reserve becomes 3 tank platoons, and 3 tank companys act as the battalion reserve. Lacking the originals, I have had to use my best judgement as to what the translators were actually reading.

Military Herald 5/70. "The motorized rifle battalion in the forward detachment". V. Yesinin and V. Kudinev. Forward detachment supported by a nuclear strike, an air landing and aviation. This is a comprehensive article on the formation, coordination and control of a forward detachment.

MR Bn
Arty Bn
Tank Company
ZSU 23-4 Btry
Engr platoon
GSP platoon
BTU
MTU
KMT-5
Two PTS sqds
Chem recon sqd

Mort Btry
AT gun plt
Bn rear

Military Herald 5/69. "Forward detachments in attack". I. Vorobyev. Forward detachments should be combined arms employing a tank battalion or a motorized rifle battalion as the base. The terrain and mission will determine the optimal base unit. The base has either motorized rifle or tank subunits and artillery and antiaircraft artillery added to it.

Military Herald 9/67. "Operating in the forward detachment". S. Vikarchuk. Second echelon battalion conducts a forced river crossing to seize dominant terrain and hold a bridgehead for the main body.

MR Bn (BTR)
Arty Bn
Tank Company
Engr platoon
MTU
Three K61s
Two prime movers
Chem recon sqd

Mort plt
AT gun plt
Bn rear

Military Herald 12/65. "Forward detachment in the attack". Kh. Ismailov. Recon platoon resubordinated to the battalion from higher. Battalion forces a river crossing and expands a bridgehead.

Tank Bn
Two arty Btrys
MR Company
Recon platoon
Engr platoon
Chem recon sqd
Three K61
Two prime movers

Military Herald 2/65. "Communications in a forward detach-

MR Bn
Arty Bn

Mort plt
AT arty podr

ment". S. Vasil'yev. Communications during a forced crossing to link up with a tactical air assault using both a motorized rifle and a tank battalion as examples of forward detachment communications.

Tank Company Bn rear
Two aslt xing platoons
Chem recon sqd

Military Herald 9/64. "Rapid attack and radio communications". V. Burkovskiy. Attack against an enemy in a hasty position.

Tank Bn Bn rear
Arty Bn Evac gp
Two aslt xing platoons

MR Bn (BTR 152) Mort plt
Arty podraz
Tank subunit

Military Herald 6/64. "In a forward detachment". A. Serov. Second echelon battalion committed in pursuit of the enemy. Resubordinated artillery battalion attached to forward detachment. Exercise crosses the Dnepr river.

MR Bn Mort plt
Arty Bn AT gun plt
Two tank companies
Engr platoon Supply plt
Bn Med pt

Military Herald 5/64. "Solve this problem". Forward detachment meets defending enemy, chemical and air strikes enroute to seizing a river crossing site. Aviation is in support. The artillery battalion is minus one battery.

Tank Bn Bn rear
Arty Bn (-)
MR platoon
Engr platoon
MTU
Chem recon sqd

Military Herald 2/63. "Rocket battery supports a tank company". M. Kolesnikov. Use of MLRS to suppress ATGMs. This article needs to be reread in the original.

Tank Bn
Arty Bn
Rocket Btry

Military Herald 11/62. "Tank company in a forward detachment". L. Kozlovskiy. Forward security element forces a river.

Tank Bn
Arty Bn
Rifle Company
Engr platoon
Tank transporter podraz
Chem recon sqd

Military Herald 4/62. "A motorized rifle battalion in the forward detachment". No author. Forward detachment, operating in the depths of the enemy defenses seizes a bridgehead.

MR Bn AT gun plt
Arty Bn
Tank Company
Engr platoon
Chem recon sqd

Appendix B-Battalion Composition-Advance Guard

<u>Source</u>	<u>Bn w/attachments</u>	<u>Organic</u>
<u>Soviet Military Review</u> June 88. "Battalion as an Advance Detachment". Concerns a river crossing to seize and hold a line for the main body.	MR Bn (BMP) Arty Bn Tank Company	
<u>Voyenny Vestnik</u> 5/86. "V predvidenii vstupleniya v boy" [Foresight in entering battle]. V. Mikhaylov. Concerns employment of a short range missile ADA platoon in support of an advance guard.	MR Bn Arty Bn Tank Company AD platoon (two vehicle)* Engr platoon	
*There is an anomaly here. This is not a SA7 platoon (3 vehicles) or a Regimental SA9 or SA 13 platoon (4 vehicles). The division SA6 platoon consists of two vehicles, but it is not a short-range system and it is slaved to a central radar system, hardly what you'd want in an advance guard.		
<u>Motostrelkovyy (tankovyy) batal'on v boyu</u> . [Motorized rifle (tank) battalion in combat] D. A. Dragunsky (Moskva: Voyenizdat, 1986). Concerns march planning. p. 297.	MR Bn Arty Bn Tank Co Engr platoon 1 MTU Chem recon sqd	AT platoon Mort btry AD platoon AGS 17 platoon Signal platoon Tech Maint sec
<u>Artilleriyskiy divizion v boyu</u> [Artillery battalion in combat] G. E. Peredel'skiy. (Moskva: Voyenizdat, 1984). p. 156.	MR Bn Arty Bn Tank Company	Mort Btry ATGM platoon Bn rear
<u>Voyenny Vestnik</u> 8/82. "Tankovyy batal'on v avangarde" [Tank battalion in the advance guard]. M. Loginov.	Tank Bn Arty Bn MR Company (BMP) ZSU 23-4 platoon Engr platoon Chem recon sqd	
<u>Voyenny Vestnik</u> 7/81. "Komandir menyayet resheniye" [The commander changes the decision]. D. Kravchenko & V. Popov. Concerns march & meeting battle.	Tank Bn Arty Bn MR platoon (BMP) ZSU 23-4 platoon Engr platoon Chem recon sqd	
<u>Voyenny Vestnik</u> 7/81. "Inzhenernoye obespecheniye" [Engineer support]. Yu. Parfilov. Concerns engineer support of an	MR Bn (BTR) Arty Bn Tank company Engr platoon	2 recon sqds

advance guard in two river
crossings and a meeting battle.

BTU tank
BAT sqd
MTU sqd

Voyennyy Vestnik 2/81. "Reshite
etu zadachu" [Solve this problem].
Advance guard security mission.

MR Bn (BMP)
Arty Bn
Tank company
Mortar btry
Engr platoon
AD plt

Voyennyy Vestnik 8/79.
"S marsha - v boy" [From the
march into combat]. G. Pischikov.
Advance guard conducts a meeting
battle.

MR Bn (BMP)
Arty Bn
Tank Company
ZSU 23-4 plt
Engr platoon
Chem recon sqd

Mort plt
Spt elm

Voyennyy Vestnik 8/78.
"Sravnite svoye resheniye"
[Compare your solution].
Communications platoon
diagram.

MR Bn (BTR)
Arty Bn
Tank Company
Engr platoon
Chem recon sqd

Mort podr
AT podraz
AD
Supply plt

Voyennyy Vestnik 7/78.
"Sravnite svoye resheniye"
[Compare your solution].

MR Bn (BTR)
Arty Bn
Tank Company
Engr platoon
AD Btry
Chem recon sqd

Mort podr
AT podraz
Signal plt
Support gr

Voyennyy Vestnik 6/78. "Zadachi
po upravleniyu i svyazi-zadacha
no. 4" [Problems for control and
communications-problem number 4].
Advance guard handles aerial
attack, an air assault force and
prepares for a meeting battle.

MR Bn
Arty Bn
Tank Company
ZSU 23-4 platoon
Engr platoon
Chem recon sqd

Voyennyy Vestnik 6/78. "Zadachi
po upravleniyu i svyazi-zadacha
no. 5" [Problems for control and
communications-problem number 5].
Advance guard transitions to the
defense.

MR Bn
Arty Bn
Tank Company
ZSU 23-4 platoon
Engr platoon
Chem recon sqd

Voyennyy Vestnik 8/74.
"Usloviya uspekha" [Conditions
for success]. A. Zheltoukhov.
Discusses the role of maneuver in

MR Bn
Arty Bn
Tank Company
Engr platoon

the meeting battle.

Voyennyy Vestnik 8/74.

"O nauchitel'nosti zanyatiy i ucheniy" [Concerning the instruction of training and exercises]. V. Shul'gin. Incomplete listing of battalion composition during an advance guard action.

Tank Bn
Arty Bn

Voyennyy Vestnik 8/74.

"Zashchita batal'ona na marshe i vo vstrechnom boyu" [Protection of a battalion on the march and during the meeting engagement]. E. Kruchinin. Defense against chemical and nuclear strikes during a night march and night-morning meeting engagement.

MR Bn (BTR)
Arty Bn
Tank Company
Mortar Btry
Engr platoon
Chem recon sqd

ATGM podr
Bn rear

Voyennyy Vestnik 5/73.

"Ognevoye uprezhdeniye protivnika" [Fire anticipation of the enemy] V. Krysanov & N. Medvedev. Calculations for anticipating the enemy and engaging him first in a meeting battle.

Tank Bn
Arty Bn
AD platoon
Engr platoon
MTU
Chem recon sqd

Voyennyy Vestnik 3/73.

"A byla li na uchenii taktika?" [But were tactics used during the exercise?]. S. Ursov. Advance guard actions in the depth of the enemy defense. Criticism of exercise.

MR Bn
76mm gun Btry
Tank Company
Engr platoon
Chem recon sqd

ATGM podr

Voyennyy Vestnik 3/73. "Svyaz' v avangarde" [Communications in the advance guard]. L. Titov & V. Shadrin. Subordination of AD platoon and mortar platoon uncertain.

MR Bn (BTR)
Arty Bn
Tank Company
Mort platoon
AD platoon
Chem recon sqd

ATGM podr
Supply plt
Tech spt

Voyennyy Vestnik 6/72. "Svyaz' v tankovom batal'one na marshe" [Tank battalion communications during a march]. S. Samsonov & V. Kalinin. Movement to a meeting battle. Communications also tied to reconnaissance group.

Tank Bn
Arty Bn
MR Company (BTR)
AD Btry
Engr platoon
Chem recon sqd

Evac Gp
Log elem
MTU

<p><u>Voyennyy Vestnik</u> 5/72. "Tankovaya rota v GPZ" [The tank company in the forward security element]. A. Myshkovskiy.</p>	<p>Tank Bn Arty Bn Engr platoon Chem recon sqd</p>	
<p><u>Voyennyy Vestnik</u> 3/72. "Divizion v avangarde" [Artillery battalion in the advance guard]. A. Khryashchev. Pursuit of an enemy falling back to deeper positions.</p>	<p>MR Bn Arty Bn Arty Btry Tank Company</p>	<p>Mort podr ATGM podr</p>
<p><u>Voyennyy Vestnik</u> 1/72. "Rota v golovnoy pokhodnoy zastave" [The company in the forward security element]. V. Kulikov & A. Borisov. Actions in the depth of the enemy defense.</p>	<p>MR Bn (BTR) Arty Bn Tank Company AT platoon Engr platoon Chem recon sqd</p>	<p>Mort plt</p>
<p><u>Military Herald</u> 8/71. "Field firing exercise". V. Matyash. Critique of a 57-mm SP AA Btry (ZSU 57-2 or S-60) in a training exercise.</p>	<p>MR Bn Arty Bn (minus one battery) Tank Company AA Btry Engr platoon River Xing unit</p>	
<p><u>Military Herald</u> 6/71. "Offensive movement by a division while on the march". A. Khryashchev. Artillery battalion (<u>divizion</u>) during a pursuit within the enemy defensive depths. Bn supported by artillery group (presumably regimental).</p>	<p>MR Bn Arty Bn Mortar Btry Tank Company (minus one plt) AA Btry Engr podr (GSP, PTS, K-61)</p>	
<p><u>Military Herald</u> 4/71. "Meeting engagement of battle". B. Valyvalov. Meeting battle by advance guard.</p>	<p>MR Bn Arty Bn Tank Company ZSU 23-4 platoon Engr platoon (MTU) Road repair platoon Chem recon sqd</p>	
<p><u>Military Herald</u> 1/71. "Tank battalion in vanguard". P. Shebarshinov. Advance guard training exercise, apparently without any external support.</p>	<p>Tank Bn</p>	
<p><u>Military Herald</u> 3/70. "Solve this problem". Advance guard</p>	<p>MR Bn Arty Bn</p>	

moving to plug a breach in the defense encounters enemy forces.

Tank Company
100-mm AT gun Btry

Military Herald 8/69. "A mortar battery in a meeting engagement". V. Dementyev.

MR Bn
122-mm Arty Btry
120-mm Mort Btry
Tank Company
Engr platoon
Chem recon sqd

Military Herald 5/69. "Solve this problem". Advance guard, conducting a forced crossing, is attacked by helicopters.

Tank Bn
Arty Bn
MR Company
57-mm AA Btry
Engr platoon

Military Herald 3/69. "Solve this problem". Advance guard is attacked by V-gas and an adjacent advance guard is hit by a nuclear strike.

MR Bn
Arty Bn
Tank Company
Engr platoon
Chem recon sqd

Military Herald 10/68. "Solve this problem". Advance guard, having forced a river and holding the bridgehead for the main body is attacked by a large combined arms force and fighter bombers.

MR Bn
Arty Bn
Tank Company
AD platoon
Engr platoon
Chem recon sqd

Military Herald 8/68. "Motorized rifle battalion in the advance guard". G. Golofast, V. Sayko, & A. Timoshenko. Article concerns the march planning process. Advance guard is supported by aviation.

MR Bn (BTR) Mort plt
Arty Bn Signal plt
Tank Company Bn rear
AA platoon (ZSU 23-4)
Engr platoon
One MTU
Chem recon sqd

Military Herald 11/67. "In order not to have disruption of control". B. Nechayev. Article on communications in a tank battalion functioning as the advance guard.

Tank Bn Bn rear
Arty Bn
MTU
AD podraz
Chem recon sqd

Military Herald 8/67. "Artillery battalion deployment". V. Odnoletkov. Actions of an artillery battalion attached to an advanced guard MR Bn.

MR Bn Mort plt
Arty Bn Bn rear
AA platoon (HMG)

Military Herald 1/67. "Tactical exercise involving combat firing".

Tank Bn
Arty Bn

N. Lemeshko. Regimental advance guard conducts a march and an attack from the march. Attack supported by two nuclear strikes (of four initially employed by the regiment) and a 24-minute artillery preparation.

Engr platoon
Chem recon sqd

Military Herald 6/66. "Solve this problem". Advance guard moves to a meeting battle.

MR Bn
Arty Bn
Tank Company
AA platoon
Engr platoon
Chem recon sqd

Mort plt
AT gun plt
Bn rear

Military Herald 8/65. "Tactical-drill exercise with a battery". Kupriyanov and I. Chirkov. Article on battery actions when attacked from the air, passing through a contaminated area, deploying for firing, repulsing a tank attack, disspacing and conducting reconnaissance and performing decontamination when attached to the leading advance guard company.

MR Bn
Arty Bn
Engr platoon
Chem recon sqd

Military Herald 7/65. "A battery tactical exercise with live firing". G. Fisenko and G. Kryuchkov. Battery in support of lead motorized rifle company in an advance guard during a pursuit. No tanks are attached.

MR Bn
Arty Bn
Engr platoon
Chem recon sqd

AT plt

Military Herald 6/65. "Surprise and win". V. Padalkin. Maneuver and surprise in a meeting battle. Motorized rifle and engineer support not mentioned.

Tank Bn
Arty Btry

Military Herald 3/65. "Fire and maneuver in combat". L. Druzhinin. Detailed article on regimental advance guard actions.

Tank Bn
122-mm Arty Bn
MR Company

Military Herald 2/65. "Protection of a battalion on the march". M. Mal'nov. Protection against gas attack.

MR Bn
122-mm How Btry
Tank Company
Tank destroyer Btry

Bn rear

	Engr platoon Chem recon sqd	
<u>Military Herald</u> 8/64. "In a combat situation". M. Nazarov. Advance guard communications including traffic sector commandant and traffic control check points.	MR Bn Arty Bn Tank Company	
<u>Military Herald</u> 6/64. "Battalion teamwork". A. Razubayev. Article on training artillery batteries.	MR Bn Arty Bn Tank Company	
<u>Military Herald</u> 5/64. "Communications in tank subunits". S. Vasil'yev. Communications on a nuclear battlefield.	Tank Bn Arty Bn Chem recon sqd	Bn rear Evac Gp
<u>Military Herald</u> 4/64. "On contaminated terrain". I. Degtyarev. Night movement negotiating chemical and radioactive contaminated zones and a forest fire.	MR Bn Arty Bn Tank Company Engr platoon Chem recon sqd	Bn rear
<u>Military Herald</u> 4/64. "A tactical training session". N. Shishkin. Attack against a mechanized infantry battalion in a meeting battle.	Tank Bn Arty Bn Engr platoon	
<u>Military Herald</u> 3/64. "Solve this problem-tank battalion in the advance guard". Regimental advance guard actions through a contaminated zone and in anticipation of a meeting battle.	Tank Bn Arty Bn MR platoon Engr platoon Chem recon sqd	
<u>Military Herald</u> 5/63. "Battalion in the advance guard on a march". M. Beznoshchenko.	MR Bn 122-mm How Btry AT gun Btry Tank Company Engr platoon Chem recon sqd	120-mm mort plt 57-mm gun plt
<u>Military Herald</u> 2/63. "Controlling a battalion on the march and in a meeting engagement". P. Belous.	MR Bn 85-mm gun Btry How Btry Tank Company Engr platoon (w/BAT) Chem recon sqd	Mort platoon 57-mm gun plt

Three motorcycles and crews

Appendix C-Battalion Composition-Meeting Battle

<u>Source</u>	<u>Bn/w attachments</u>	<u>Organic</u>
<u>Voyennyy Vestnik</u> 3/89. "Protivnik-real'nyy" [A realistic "enemy"]. A. Vil'chanskiy. Force on force exercise involving two battalions of the same regiment employing Soviet MILES gear. The battalion without actual artillery simulated its employment and fired FASCAM.	Tank Bn 122mm How Btry MR Company (BMP) Tank Bn MR Company (BMP)	
<u>Voyennyy Vestnik</u> 6/88. "Tankovyy batal'on vo vstrechnom boyu" [Tank battalion in the meeting battle]. A. Stupin & V. Shtukin.	Tank Bn SP Arty Bn MR Company AD platoon Engr platoon	
<u>Voyennyy Vestnik</u> 7/86. "Rozygrysh vstrechnogo boya" [Playing out a meeting battle]. A. Zheltoukhov. Concerns a force-on-force exercise involving two battalions from the same regiment (which may explain the low representation of artillery).	MR Bn (BMP) 122 btry Tank Company AT btry Engr platoon Chem recon sqd	Mort Btry
	versus	
	MR Bn (BMP) 122 Arty Bn (minus one btry) Tank Company Chem recon sqd	Mort Btry
<u>Voyennyy Vestnik</u> 6/86. "Uspekh vstrechnogo boya reshayut minuty" [Success in a meeting battle is decided in minutes]. V. Buryakov.	MR Bn (BTR) Arty Bn Tank Company Engr platoon Chem recon sqd	Mort Btry AD platoon AGS 17 plt
<u>Motostrelkovyy (tankovyy) batal'on v boyu</u> [Motorized rifle (tank) battalion in combat]. D. A. Dragunskiy. (Moskva: Voyenizdat, 1986). p. 167.	MR Bn (BMP) Arty Bn Tank Company AT platoon ZSU 23-4 platoon Engr platoon 1 MTU Chem recon sqd	Mort Btry AT platoon AGS 17 plt AD platoon
<u>Voyennyy Vestnik</u> 8/84. "Vstrechnyy boy" [Meeting battle]. Concerns a force-on-force	MR Bn (BTR) 2 SP Arty btrys Tank Company	

exercise with battalions not from the same regiment.

versus

MR Bn (BMP)
2 Btrys MRL
Tank Company
AT btry
Mort btry

Voyennyy Vestnik 4/77.
"Vo vstrechnom boyu" [In a meeting battle]. I. Proskurin. Advance guard in depths of enemy defenses conducts a meeting battle with the enemy reserve.

MR Bn (BTR)
Arty Bn
Tank Company
Engr platoon
Chem recon sqd
Mort Btry

Sovetskaya Voyennaya Entsiklopediya [Soviet Military Encyclopedia]. "Vstrechnyy boy" [Meeting battle]. A. A. Siderenko. (Moskva: Voenizdat, 1976). Vol 2, pp. 407-408.

MR Bn
Arty Bn
Tank Company

Voyennyy Vestnik 6/76.
"Zadacha No. 2" [Mission No. 2]. Advance guard in meeting battle.

MR Bn (BTR)
Arty Bn
Tank Company
AD platoon
Engr platoon
Chem recon sqd
Mort plt
ATGM podr

Voyennyy Vestnik 3/75.
"Vstrechnyy boy motostrelkovogo batal'ona" [The meeting battle of a motorized rifle battalion]. V. Kokhanov. Forward detachment conducts the meeting battle.

MR Bn
Arty Bn
Tank Company
AD platoon
Engr platoon
Mort plt
ATGM podr
Bn rear

Voyennyy Vestnik 2/73.
"Batal'on vedet vstrechnyy boy" [A battalion conducts a meeting battle]. V. Izotov. Advance guard defeats enemy force of twenty tanks and thirteen APCs in an hour.

Tank Bn
Arty Bn
Engr platoon
Chem recon sqd

Tankovyy batal'on v boyu [Tank battalion in combat]. P. I. Konoplya & N. A. Maykov. (Moskva: Voenizdat, 1972). p. 16. Discusses precombat formations.

Tank Bn
Arty Bn
MR Company

Voyennyy Vestnik 10/72.
"Tanko-tekhnicheskoe obespechenie

Tank Bn
Tech Maint

v previdenii boya" [Tank technical support in anticipated battle]. V. Utkin. Discusses battalion maintenance support in terms of a meeting battle or attack against a hasty defense.

Voyenny Vestnik 3/72. Tank Bn
"Vstrechnyy boy batal'ona" [The Arty Bn
battalion in a meeting battle]. Engr platoon
A. Serov. Reserve committed through
a break in the enemy defense conducts
a meeting engagement.

Military Herald 4/70. MR Bn
"Reconnaissance in the motorized Arty Bn
rifle battalion on the march and Tank Company
in meeting engagements". V.
Korotkykn. Advance guard actions
against an enemy trying to reestablish a defense.

Military Herald 7/69. Tank Bn Bn rear
"Communications in a tank Arty Bn
battalion in a meeting engagement".
A. Dubovitskiy. Tank battalion
serving as an advanced guard.

Military Herald 7/69. "Defense MR Bn Mort Btry
of podrazdeleniya in a meeting Arty Bn AT plt
engagement". V. Kokhanov. Tank Company Bn rear
Engr platoon
Chem recon sqd

Military Herald 4/68. "An anti- MR Bn
aircraft battery in a meeting Tank Company
engagement". M. Kiryukhin. AA Battery
Article makes no mention of
artillery or engineer support.

Military Herald 4/68. "If a MR Bn
meeting engagement is Arty Bn
anticipated" M. Golovkin. Tank Company
Article concerns engineer support Engr platoon
of a meeting battle. Engineer Chem recon sqd
platoon has BAT tractor with bull-
dozer blade, MTU bridgelayer, mine
clearer, 150 AT mines, 50 bangalore
torpedos, 100 kg explosives, 5 mine
detectors, 3 mine clearing kits, and
route and obstacle signs.

Military Herald 3/68. "A two MR Bn MR Bn
sided exercise with combat Arty Bn vs. Mort Btry

firing." S. Kondratenko. Article concerns meeting battle exercise involving two-sided maneuver followed by live fire at targets to the flanks.	Tank Company	Tank Co
<u>Military Herald</u> 1/66. "In keeping with the demands of modern combat". S. Vikarchuk.	MR Bn (BTR) Arty Bn Tank Company	
<u>Motostrelkovyy batal'on v sovremennom boyu</u> [The motorized rifle battalion in modern combat]. D. F. Loza, G. I. Garbuz, and I. F. Sazonov. (Voyenizdat: Moskva, 1965). Pp. 7-29.	MR Bn(BTR) Arty Bn Tank Company AT gun Btry Engr platoon Chem recon sqd	Mort plt AT gun plt Bn rear
<u>Vzaimodeystvie voysk v boyu</u> [Coordinating forces in battle]. G. A. Zubarev. (Voyenizdat: Moskva, 1965). Pp. 40-68.	MR Bn Arty Bn Tank Company AT gun Btry AD Btry Engr platoon Chem recon sqd	
<u>Military Herald</u> 8/65. "In an encounter battle". S. Vikarchuk. Regimental advance guard actions described in detail.	MR Bn Arty Btry Tank Company Engr platoon Chem recon sqd	Mort plt AT gun plt
<u>Military Herald</u> 2/65. "Artillery battalion in a meeting engagement". B. Strelchenko. Regimental advance guard supported by a reconnaissance helicopter.	MR Bn Arty Bn Tank Company Engr platoon	
<u>Military Herald</u> 5/64. "A company on the march and in a meeting engagement". V. Ivoylov. Motorized rifle company as the forward security element in the advance guard battalion. AT gun platoon provides immediate fire support.	MR Bn Tank Company Engr platoon Chem recon sqd	AT gun plt
<u>Military Herald</u> 3/64. "March and meeting engagement of a motorized rifle battalion". F. Gavrikov, N. Medvedev and V. Levin. Very detailed article	MR Bn Arty Bn Tank Company Engr platoon Chem recon sqd	Mort plt AT gun plt Bn med pt

on march and meeting battle planning and execution from the perspective of the motorized rifle battalion commander, artillery battalion commander and engineer platoon leader.

Military Herald 2/64. "Always in the flank?" T. Kudryzvtsev. Article argues that a frontal, rather than a flanking, attack during a meeting battle will get deeper into an enemy column faster and permit the earlier destruction of enemy nuclear weapons.

Tank Bn
Arty Bn
Rifle Company
Engr platoon with MTU
Chem recon sqd

Military Herald 5/63. "A tank battalion in a meeting engagement". L. Kozlovskiy. Good theoretical article.

Tank Bn
Arty Btry
Rifle platoon-Company
Engr squad-platoon
Chem recon sqd

Military Herald 5/63. "Artillery battalion in a meeting engagement". N. Men'shonkov. Excellent fire coordination article.

Tank Bn
Arty Bn

Military Herald 5/63. "Communication on the march and in a meeting engagement". S. Samsonov. Advance guard communications.

Tank Bn
Arty Bn
Rifle Company
Chem recon sqd

Bn rear

Military Herald 11/62. "The commander makes a decision for a march". Kh. Ismailov. Forward security element actions in a meeting battle. Commander leads too far forward.

Tank Bn
How Btry
Rifle platoon
Engr squad
Chem recon sqd

Military Herald 10/62. "On the march and in a meeting engagement". S. Taran. Rifle company serves as a forward security element in an advance guard.

MR Bn
Arty podraz
Tank Company
Engr platoon
Chem recon sqd

Mort plt
57mm gun plt

Military Herald 5/62. "On the march and in a meeting engagement". F. Khorin. Engineer support to an advance guard in the depths of the enemy defense. Supported by regimental movement support detachment and an assault

MR Bn
Arty Bn
Two tank Companies
Two Engr platoons
Chem recon sqd

crossing podrazdeleniya. The tank companies are designated NPP tanks (close support to the infantry).

Military Herald 4/62. "The tank Tank Bn
battalion in a meeting engage- Rifle podraz
ment". Tank battalion as an
advance guard. Article recommends
against attaching towed artillery.
Tanks can cover the deployment of other
tanks much more effectively.

Appendix D-Battalion Composition-River Crossing

<u>Source</u>	<u>Bn w/attachments</u>	<u>Organic</u>
<u>Voyenny Vestnik</u> 5/89. "Cherez vodnyu pregradu s khodu" [Crossing a water obstacle from the March]. V. Minabutdinov, A. Zverev & A. Zubanov. Regimental forward detachment is supported by 4 Mi-24 helos and 2 SU-25 and a company air assault.	MR Bn (BMP) Arty Bn Tank Company Engr Asslt Xing Co AD platoon Engr platoon Chem recon sqd Tank recovery vehicle	Mort Btry GSP plt PTS plt
<u>Soviet Military Review</u> 12/88. "To Capture a Bridgehead".	Tank Bn Arty Bn MR Company (BMP) AD platoon Engr platoon GSP platoon	
<u>Voyenny Vestnik</u> 1/88. "Khimicheskoe obespechenie forsirovaniya" [Chemical support of a forced crossing]. N. Bykov & S. Ugol'kov.	MR Bn (BMP) Arty Bn Tank Company Engr sqd GPT sqd Chem recon sqd	
<u>Voyenny Vestnik</u> 5/87. "Zashita podrazdeleniy pri forsirovanii" [Defense of subunits during a forced crossing]. B. Mazan. Concerns chemical defense and smoke utilization during a forced crossing.	MR Bn Arty Bn Tank Company ZSU 23-4 platoon GSP platoon Chem recon sqd	
<u>Voyenny Vestnik</u> 5/87. "Podgotovka k forcirovaniyu" [Preparation for a forced crossing]. Concerns an artillery battalion's support.	MR Bn Arty Bn Tank Company Incomplete listing of engineer assets including GTS, PKP, PTS & PRP.	
<u>Voyenny Vestnik</u> 10/86. "Cherez vodnyu pregradu s khodu" [Crossing water obstacles from the march]. I. Selyuk & E. Shepel'.	MR Bn SP Arty Bn Tank Company Engr platoon AD platoon GPT (K-61) plt GSP platoon Chem recon sqd	
<u>Karta ofitsera</u> [The officer's	MR Bn	Mort Btry

map]. I. D. Pombrik and N. A. Shevchenko. (Voyenizdat: Moskva, 1985). P. 133. Example in a book on map symbology.

Arty Bn
Tank Company
ZSU 23-4 platoon
Nine PTS
4 GSP

AT platoon
AD platoon

Voyenny Vestnik 9/85.
"Forsirovanye vodnoy pregradye s khodu" [Forced crossing of a water obstacle from the march]. K. Groshev.

MR Bn (BMP)
Arty Bn
Tank Company
AD platoon
Engr platoon
Chem recon sqd

Artilleriyskiy divizion v boyu
[Artillery battalion in combat] G. E. Peredel'skiy. (Moskva: Voenizdat, 1984), p. 124. Advance guard forces a crossing.

MR Bn
Arty Bn
Tank Company
Asslt Xing podr
6 PTS, 3 PKP, 2 GSP

Mort Btry
AT platoon

Voyenny Vestnik 9/83.
"Motostrelkovyy batal'on forsiruet reku" [Motorized rifle battalion conducts a forced river crossing]. A. Gusev.

MR Bn
Arty Bn
Tank Company
AD platoon
Engr platoon
GSP platoon
Asslt xing platoon
Chem recon sqd

Voyenny Vestnik 9/83. "Reshil i obespechil" [Decided and supported]. I. Bevz. Concerns engineer support for a forced crossing.

MR Bn (BMP)
Arty Bn
Engr platoon
Asslt xing platoon
Chem recon sqd

Voyenny Vestnik 5/82.
"Batal'on forsiruet reky" [Battalion conducts a forced crossing of a river]. I. Sotnikov. Concerns engineer support of a forward detachment.

MR Bn (BMP)
Arty Bn
Tank Company
Engr platoon
GSP platoon
PTS platoon

Voyenny Vestnik 5/81.
"Avangard preodolevaet reku s khodu" [The advance guard overcomes a river from the march]. N. Koven'.

Tank Bn
SP Arty Btry
MR Company (BMP)
AD platoon
Engr platoon
Mortar btry
GSP platoon
Engr recon plt

Voyenny Vestnik 5/81.

MR Bn
Mort plt

"Artilleriyskaya podderzhka Forsirovaniya" [Artillery support of a forced river crossing]. Yu. Koloskov. The first example is of a forward detachment or advance guard. The second example is of a battalion as part of the main body.

Arty Bn (152) AT plt
Tank Company
MR Bn Mort plt
2 Arty Bns AT plt
Tank Company

Voyennyy Vestnik 5/81.
"Khimicheskoe obespechenie deystviy batal'ona" [Chemical support of battalion actions]. N. I. Moiseev. Concerns forward detachment. States that when a tank battalion is an advance guard or forward detachment, it routinely receives a Chemical reconnaissance squad.

Tank Bn
Arty Bn
MR Company (BMP)
AD battery
Engr platoon
GSP platoon
Chem recon sqd

Voyennyy Vestnik 2/81. " I reki ne pregrada" [And rivers aren't obstacles]. M. Smirnov.

MR Bn (BTR 60-P)
Arty Bn
Tank Company
Engr platoon
GSP platoon
GPT squad
Engr recon sqd

Voyennyy Vestnik 11/79.
"Peredovoy otryad forsiruet reku" [A forward detachment forces a river]. A. Gusev. Attacking in depth of enemy. Mortar btry carried as reinforcement. No mention is made of the organic mortar battery.

MR Bn (BTR)
Arty Bn
Tank Company
Mortar Btry
ZSU 23-4 plt
Engr platoon
GSP platoon
PTS platoon
Chem recon sqd

Voyennyy Vestnik 10/76.
"Batal'on forsiruet vodnuyu pregradu" [The battalion forces a river obstacle]. A. Gramkovs. Advance guard operating in pursuit conducts an opposed crossing.

MR Bn (BMP) Mort Btry
Arty Bn
Tank Company
ZSU 23-4 platoon
Engr platoon
GSP platoon
PTS platoon
Chem recon sqd

Voyennyy Vestnik 3/75.
"Takticheskaya zadacha" [Tactical mission]. Forward detachment forces a river from the march.

MR Bn Mort plt
Arty Bn ATGM podr
Tank Company Supply plt
ZSU 23-4 plt
Engr platoon

Assault crossing company minus
two K-61 squads.

Voyennyy Vestnik 1/75.
"Takticheskaya zadacha" [Tactical
Mission]. Bn forces river from
the march supported by an artillery
battalion. Bn seizes bridge.

MR Bn
Tank Company
GSP platoon

Mort plt
ATGM podr

Voyennyy Vestnik 5/74.
"Cherez vodnuyu pregradu s khodu"
[Across a water obstacle from the
march]. A. Zyryanov. Advance
guard overruns a hasty defense
and forces a river.

Tank Bn
Arty Bn
MR Company (BTR)
AD platoon
Engr platoon
GSP platoon
Chem recon sqd

Bn Rear

Voyennyy Vestnik 5/74.
"Obuchenie batal'ona forsiro-
vaniyu" [The training of a
battalion in forcing a river].
A. Lepalovskiy. Artillery
support not mentioned. Subordination
of ATGM and mortar platoon uncertain.
Attack from the march as part of the
main body.

MR Bn (BTR)
Tank Company
ZSU 23-4 plt
GSP platoon
PTS platoon

Mort plt
ATGM podr

Voyennyy Vestnik 5/74.
"Divizion pri forsirovanii vodnoy
pregrady" [An artillery battalion
during the forcing of a water
obstacle]. V. Ivanov M. Pankov.
Artillery support of an advanced
guard during an opposed crossing.

MR Bn
Arty Bn
Tank Company
Asslt xing unit

Mort plt
6 PTS
3 PKP
4 GSP

Voyennyy Vestnik 5/74.
"V interesakh peredovogo otryada"
[In the interests of the forward
detachment]. I. Vas'ko & A
Tyshchenko. Engineer support of
a forced river crossing. At
least one artillery battalion
supporting.

MR Bn
Arty Btry
Tank Company
Engr platoon
GSP platoon
GPT platoon

Mort Btry
KMT
BAT
MTU
TMM

Voyennyy Vestnik 5/74. "Dymovaya
zabesa na vodnoy pregrade" [Smoke
screen of a water crossing]. A.
Kiselev & A Zherebtsov. Forward
detachment conducts a forced
crossing.

MR Bn
Arty Bn
Tank Company
AD Btry
Engr platoon
GSP platoon
Two sqds PTS
Chem recon sqd

<p><u>Voyenny Vestnik</u> 5/73. "Batal'on forsiruet reku" [A battalion forces a river]. A. Puzienko. A battalion operating in the depth of an enemy defense defeats a force on the far bank, forces the river and continues. Supported by air strikes and a fifteen minute preparation involving additional artillery.</p>	<p>MR Bn Arty Bn Tank Company Engr platoon K-61 platoon GSP platoon Bulldozer sqd</p>	<p>Mort plt ATGM podr Bn rear</p>
<p><u>Voyenny Vestnik</u> 6/72. "Cherez bodnuyu nregradu s khody" [Crossing a water obstacle from the march]. K. Urtaev. Unspecified amount of PTS and GSP engineer assets support this theoretical example.</p>	<p>MR Bn (BTR) Tank Company</p>	<p>Arty Btry</p>
<p><u>Voyenny Vestnik</u> 6/72. "Deystviya divizionna pri forsir- ovanii reki" [Actions of an artillery battalion during the forced river crossing]. A. Tokmakov. Artillery support of a forward detachment.</p>	<p>MR Bn (BTR) Arty Bn Arty Btry Engr Asslt Xing Co</p>	<p>Mort plt ATGM podr</p>
<p><u>Voyenny Vestnik</u> 6/72. "Batareya ZSU pri forsirovanii" [ZSU 23-4 battery during a forced crossing]. E. Popov. AD coverage of a forward detachment.</p>	<p>MR Bn Arty Bn Tank Company ZSU 23-4 Btry Engr GSP & PTS vehicles</p>	<p>Mort Btry AT platoon Bn rear</p>
<p><u>Tankovyy batal'on v boyu</u> [Tank battalion in combat]. P. I. Konoplya & N. A. Maykov. (Moskva: Voenizdat, 1972). pp. 203-204. This composition is for a forward detachment or advance guard. Composition will be adjusted if the battalion is part of the main body.</p>	<p>Tank Bn Arty Bn Up to MR Company AD Btry (plt) GSP platoon Engr platoon Road platoon Chem recon sqd</p>	
<p><u>Military Herald</u> 6/71. "Communications in a motorized rifle battalion during an offen- sive action involving the crossing of a water obstacle." V. Shchadrin. Forward detachment communications operating in conjunction with air-landing force.</p>	<p>MR Bn Arty Bn Tank Company AA Btry GSP platoon PTS sqd BTU MTU Engr platoon</p>	<p>Mort plt ATGM podr Supply & service plt Repair/ Evac Grp Veh Coll pt</p>

<p><u>Voyenny Vestnik</u> 9/70. "Takticheskaya zadacha" [Tactical mission]. Forward detachment, in coordination with a company sized air insertion and fighter-bomber aviation, seizes a river crossing site.</p>	<p>Tank Bn Arty Bn MR Company AD platoon GSP platoon Chem recon sqd</p>	
<p><u>Military Herald</u> 6/66. "Assault crossing of water obstacles". N. Gorbunov. Artillery battalion and a nuclear strike are in support of the river crossing. Enemy employs a nuclear strike and fighter bombers against the crossing.</p>	<p>MR Bn (BTR) Tank Company Engr platoon Chem recon sqd</p>	<p>Mort plt AT gun plt</p>
<p><u>Military Herald</u> 6/66. "Artillery battalion in the assault crossing of a water obstacle". N. Shibayev. Motorized rifle battalion pursues enemy and forces a river crossing</p>	<p>MR Bn Arty Bn Tank Company PTS</p>	<p>Mort plt AT gun plt</p>
<p><u>Military Herald</u> 6/66. "Communications at a crossing". M. Nazarov and S. Strygin. A forward detachment forces a river crossing and secures a bridgehead for the main body.</p>	<p>MR Bn (BTR) Arty Btry Tank Company Engr platoon (w/ 3 K61) Chem recon sqd</p>	<p>Mort plt Bn rear</p>
<p><u>Military Herald</u> 7/64. "Crossing a broad river". K. Kostenko. Translation speaks of an attached artillery regiment, but the diagram indicates a battalion.</p>	<p>MR Bn Arty Bn Tank Company AA Btry Engr platoon K-61 platoon BAV platoon Chem recon sqd</p>	<p>Mort plt AT gun plt</p>
<p><u>Military Herald</u> 5/64. "Tanks force a river". A. Gal'tsev. Tank company, in a pursuit, cannot take a river from the march column and conducts a forced crossing.</p>	<p>Tank Bn Arty Bn MR Company Engr platoon Chem recon sqd</p>	
<p><u>Military Herald</u> 5/64. "Battery in an attack with the forcing of a river". P. Bystrykh. Anti-aircraft battery in support of a</p>	<p>MR Bn (BTR) 122mm Btry Tank Company Engr platoon</p>	

forward detachment.

Military Herald 6/63. "The battalion forces a water obstacle from movement". N. Fomin. Planning and organization of a forced river crossing.

Military Herald 6/63. "Engineer support of forcing a river from the march". I. Suyetin.

Military Herald 6/62. "Attack while forcing water obstacle". M. Beznoshchenko.

Military Herald 6/62. "Across a river at night". P. Morozov and V. Yevstratov. Supported by an artillery battalion.

Military Herald 6/62. "Artillery battalion attacks while crossing water obstacle". M. Pankov. Forward detachment seizes a bridgehead.

Military Herald 6/62. "Engineer support of crossing tanks". L. Simonov. Tank battalion serves as a forward detachment.

Military Herald 6/62. "Problems for readers to solve-battalion forcing a water obstacle".

Ferry vehicles

MR Bn
122mm Btry
Tank Company
Engr platoon
Four K-61
Four large amphibious vehicles
Three special tank ferrys
Chem recon sqd

MR Bn
Arty Btry
Tank Company
AA Btry
Engr platoon
Amphibious transporter squad
Two tank ferry squads
Chem recon sqd

MR Bn
Arty Btry
Tank Company
Three BAV
Two K-61
Engr squad
Chem recon sqd

MR Bn
Tank Company
Engr platoon
Three ferries
Four tracked amphibious vehs
Three DL-10 boats

MR Bn
Arty Bn
Tank Company

Tank Bn
Arty podraz
Rifle podraz
Engr platoon
Ferry platoon
K-61 squad
Diving station

MR Bn
Mortar Btry
Tank Company

Forward detachment seizes a
bridgehead to link up with air
assault force. Supported by a
nuclear strike.

Engr platoon
Chem recon sqd

Appendix E-Battalion Composition-Attack from the March

<u>Source</u>	<u>Bn w/Attachments</u>	<u>Organic</u>
<u>Voyennyy Vestnik</u> 2/89. "V bloknot komandira" [In the commander's notebook]. No author. Article on employment of the organic battalion air defense platoon in the offense and defense. Artillery support not discussed.	MR Bn(BMP) Tank Company ZSU 23-4 platoon	AD plt
<u>Motostrelkovaya (tankovaya) rota v boyu</u> [Motorized rifle (tank) company in combat]. A. S. Noskov. (Moskva: Voenizdat, 1988) p. 95. Battalion supported by artillery battalion and aerial delivered nuclear strike.	MR Bn (BMP) Tank Bn (- One Co)	Mort podr AGS 17 plt Bn rear
<u>Shtab batal'ona v boyu</u> [Battalion staff in combat]. Yu. M. Arutuynov. (Voenizdat: Moskva, 1988), pp. 26-30, 124-127. Two helicopters supporting.	MR Bn Arty Bn Tank Company AD platoon Engr platoon	Mort Btry AGS17 plt AT platoon AD platoon Signal plt Tech inspec pt Repr & evac gp Bn Med pt
<u>Takticheskaya podgotovka motostrelkovykh i tankovykh podrazdeleniy</u> [Tactical preparation of motorized rifle and tank sub-units]. V. A. Merimskiy. (Voenizdat: Moskva, 1987). P. 223.	Tank Bn Arty Bn AD platoon Engr platoon Chem recon sqd	
<u>Motostrelkovyy (tankovyy) batal'on v boyu</u> [Motorized rifle (tank) battalion in combat]. D. A. Dragunskiy. (Moskva: Voenizdat, 1986). P. 87. Concerns exploitation of a nuclear strike on a prepared defense. Additional artillery and aviation supporting.	Tank Bn Arty Bn MR Company Engr Plt Chem Recon sqd	Attached for the attack: 2 KMT-5, 9 KMT-4, 1 MTU, 3 BTU & 1 recovery vehicle.
<u>Voyennyy Vestnik</u> 3/85. "Batal'on nastupayet s khodu" [Battalion attacks from the march]. Additional artillery and Air	Tank Bn Arty Bn MR Company ZSU 23-4 btry	

Defense supporting.

1 MTU-20
Chem recon sqd

Voyenny Vestnik 2/83. "V zhestkom limite vremeni" [Within severe time limits]. E. Frolov. Additional artillery and Air Defense supporting.

MR Bn Mort btry
Arty Bn AGS 17 plt
Tank Company
ZSU 23-4 platoon
Engr platoon
Chem recon sqd

Voyenny Vestnik 4/82. "Cherez zagrazhdeniya" [Through obstacles]. V. Mikaylov. "Zapad 81" experience in obstacle reduction during an attack.

MR Bn Mort Btry
Arty Bn
Tank Company
Engr platoon
AT platoon

Voyenny Vestnik 4/82. "Svyaz' rabotala ustoychivo" [Communications worked steadfastly]. D. Moskalenko. Supported by additional artillery and a pair of helicopters.

MR Bn (BMP) Mort Btry
Arty Bn AD platoon
Tank Company Supply plt
Engr platoon Tech point
Evac Group

Voyenny Vestnik 3/81. "Batal'on nastupayet s khodu" [Battalion attacks from the march]. M. Zhabyko. Attack supported by three nuclear strikes and additional artillery.

Tank Bn
SP Arty btry
MR Company (BMP)
AD platoon (ZSU)
Engr platoon

Voyenny Vestnik 1/81. "Deystviya ognemetnoy roty v nastuplenii" [Actions of the flamethrower company in the offensive]. V. Yavtushenko. Shows use of three nuclear strikes by the defending enemy.

MR Bn
Arty Bn
Tank Company
Flamethrower Company

Voyenny Vestnik 11/80. "V usloviyakh massirovannogo primeneniya zagrazhdeniy" [Under conditions of the massive employment of obstacles]. Yu. Parfilov. Concerns obstacle reduction. Attack supported by additional artillery.

MR Bn
Arty Btry
Tank Company
Engr platoon
Tank launched bridge

Voyenny Vestnik 8/80. "Kontrol'noye taktiko-stroyevoye zanyatiye s usilennym motostrelkovym batal'onom" [Control tactical drill training with a

MR Bn (BMP) Mort Btry
Arty Bn AD platoon
Tank Bn

reinforced motorized rifle
battalion]. V. Zhukov.

Voyenny Vestnik 7/80. "Metod
raboty komandira opredelyayetsya
nalichiyem vremeni" [Commander's
method of work is determined by
available time]. Yu. Bukreyev.
Attack supported by additional
artillery and air defense.

MR Bn (BMP)
Arty Bn
Tank Company
ZSU 23-4 platoon
Engr platoon
Chem recon sqd

Voyenny Vestnik 6/80.
"Preodoleniye oborony
nasyshchennoy protivotankovymi
sredstvami" [Overcoming a defense
saturated with antitank assets].
P. Konoplya. Artillery battalion
and helicopters in support.

Tank Bn
MR BN (minus one company) (BMP)
Engr platoon Mort Btry
AD platoon

Voyenny Vestnik 6/78.
"Vnezapnost' v boyu i puti yeye
dostizheniya" [Surprise in
battle and the course of its
attainment]. N. Shishkin.
Use of maneuver and a feint to
obtain surprise.

Tank Bn
Arty Bn

Voyenny Vestnik 6/78.
"Batal'on nastupayet s khodu"
[A battalion attacks from the
march]. V. Kalinin, K. Zhauteev,
and G. Kotov. Detailed article
from the perspective of the
motorized rifle battalion
commander, chief of staff, and
artillery battalion commander.

MR Bn (BMP)
Arty Bn
Tank Company
ZSU 23-4 plt
Engr platoon
Chem recon sqd

Mort plt
Bn rear
Bn med pt

Voyenny Vestnik 5/78.
"Nachal'nik shtaba rukovodit
svyazyu" [The Chief of Staff
directs communications]. V.
Shadrin & A. Kreer. Arty Bn
in support.

MR Bn (BTR)
Tank Company
Engr platoon

Mort podr
AT podrz
Signal plt
Supply
Maint
Med pt.

Osnovy upravleniya voyskami v
boyu [Principles of control of
forces in battle]. D. A. Ivanov,
V. P. Savel'ev & P. V. Shemanskiy.
(Moskva: Voenizdat, 1977),
p. 134.

MR Bn (BTR)
Arty Bn
Tank Company

Mort plt
ATGM podr
Evac grp

p. 390.

Supported by at least one artillery battalion, a nuclear strike, fighter bombers and unspecified air defense assets.

MR Bn
Mortar Btry
Tank company

Mort plt
Bn rear

Voyenny Vestnik 8/77.

"Batal'on na uchenii s boyevoy strel'boy" [A battalion on live fire exercise]. V. Gamaliy. Reserve battalion committed after first echelon battalion hit by two nuclear strikes. Attack supported by additional artillery and helicopters.

MR Bn (BMP)
Arty Bn
Tank Company
Engr platoon

Mort Btry

Voyenny Vestnik 12/76.

"Primeneniye dymov v nastuplenii" [Use of smoke in the offensive]. B. Abramtsev. Bn attacks through defending bn and regimental reserve company. Considers the lessons of the '73 Arab-Israeli war and the role of ATGM.

Tank Bn
Arty Bn
MR Company
AT Btry (PTURS)
Mortar Btry
ZSU 23-4 platoon
Engr squad

Voyenny Vestnik 9/76.

"Inzhenernoye obespecheniye proryva oborony" [Engineer support in the breakthrough of a defense]. Yu. Parfilov. Unspecified artillery support in an attack against a prepared defense.

MR Bn (BTR)
Tank Company
AT reserve
Engr platoon
Movement spt plt
BTU and KMT-5s

Voyenny Vestnik 7/76.

"Cherez zagrazhdeniya i zavaly" [Across obstacles & obstructions] L. Silenko. Engineer support to an attack against a hasty defense.

MR Bn (BMP)
Arty Btry
Two Tank Companies
Engineer platoon

TMM sqd
IMR sqd
MTU sqd

Voyenny Vestnik 6/76.

"Kak gotoviloc' nastupleniye" [How to prepare for an offensive]. L. Degtev. Attack against an enemy at an intermediate defensive position supported by a 35-minute artillery prep.

Tank Bn
Engr platoon

Voyenny Vestnik 10/75.

"Nastupayut motostrelki" [Motorized riflemen advance].

MR Bn (BMP)
Tank Company
Engr platoon

G. Petrovskiy. Artillery bn & mortar battery in support.

Chem recon sqd

Voyenny Vestnik 9/74.

"Inzhenernoye obespecheniye nastupleniya tankovogo batal'ona" [Engineer support of a tank battalion advance]. V. Komar. Supported by a nuclear strike, battalion attacks through a defending battalion and forces a river crossing.

Tank Bn
Arty Bn
Engr platoon
Chem recon sqd
Three KMT-5
One MTU

Voyenny Vestnik 8/74.

"Nastupleniye batal'ona" [The advance of a battalion]. K. Chernyak & G. Kirilenko. Drills and formations used in an attack from the march.

MR Bn (BTR)
Arty Btry
Tank Company
Mortar Btry

Voyenny Vestnik 8/74.

"Batareya unichtozhayet PTURS" [A battery destroys ATGMs]. V. Mikhal'ik. Supported by at least one artillery battalion in a 15-minute preparation.

MR Bn
Arty Btry
Tank Company
Mort Btry

Voyenny Vestnik 6/74.

"V interesakh obshchey zadachi" [In the interest of a common mission]. I. Panevin & A. Gor'kov. Coordination of two artillery battalions in support of an attacking maneuver battalion.

MR Bn
Tank Company
Mortar Btry
Engr platoon

Voyenny Vestnik 3/74.

"Organizuya vzaimodeystviye" [Organizing coordination]. B. Rudakov. Coordination of fire and maneuver elements. Also employs two nuclear strikes.

MR Bn
Arty Bn
Two tank companies
Bn rear

Voyenny Vestnik 1/74.

"Vzaimodeystviye saperov s nastupayushchimi podrazdeleniyami" [Coordination of engineers with advancing subunits]. B. Basalenko & E. Protasov.

MR Bn (BTR)
Arty Btry
Two Tank Companies
Engr platoon
MTU
Two BTU
Eight mineplows

Voyenny Vestnik 11/73.

"Inzhenernoye obespecheniye

MR Bn (BTR)
Tank Company

nastupleniya" [Engineer support of an offensive]. A. Gontarev. Supported by an artillery battalion.

Mortar Btry (6 mortars)
AT means (ATGM)
Engr platoon
MTU
Chem recon sqd

Voyenny Vestnik 8/73. "Obespechivaya nastupleniye" [Supporting the advance]. M. Smirnov. Concerns engineer support of the crossing of a mine field, the crossing of a stream, overcoming a heavily fortified zone and forcing a river from the march. Various engineer equipment is added for each example. Fire support is not mentioned until the forced river crossing, when an artillery battalion appears.

MR Bn (BTR)
Tank Company
Engr platoon

Voyenny Vestnik 6/73. "Svyaz' v tankovom batal'one v nastuplenii" [Communications in a tank battalion during the advance]. A. Dubovitskiy. Supported by an artillery battalion.

Tank Battalion
MR Company

Repair &
Evac Gp

Tankovyy batal'on v boyu [Tank battalion in combat]. P. I. Konoplya & H. A. Maykov. (Moskva: Voenizdat, 1972). pp 148-149. Identical composition for an attack supported by a nuclear strike and aviation and a conventional attack. Frontages are adjusted.

Tank Bn
Arty Bn
MR Company (BTR)

Spt plt
Evac grp
Tech spt
Med pt

p. 158. Supported by an artillery battalion and a nuclear strike.

Tank Bn
MR Co (- plt)
Engr platoon
KMT-5
MTU
Chem recon sqd

Spt plt
Evac grp
Tech spt
Med pt

Voyenny Vestnik 12/72. "Komandir organizuyet vzaimodeystviye" [The commander organizes coordination]. P. Ivanov. Supported by an artillery battalion, aviation, and a nuclear strike. The arty btry is apparently the 76-mm btry noted in

MR Bn
Tank Company
Engr plt

Arty Btry
Mort plt
AD plt
Bn rear

other articles. The AD plt is shown with the large-caliber AA machine gun symbol. The artillery battalion is acting as part of a larger fire plan.

Voyennyy Vestnik 10/72.

"V interesakh obshchevoyskovogo boya" [In the interest of the combined arms battle]. L. Veselov & V. Selyavin. Artillery battalion supports an attack as part of a larger attack. Utilizes nuclear strike to penetrate defense.

MR Bn
Arty Btry
Mortar Btry
Tank Company

Mort plt
ATGM podr

Voyennyy Vestnik 5/72.

"Komandiram-neprepyvnuyu svyaz'" [Uninterrupted command communications]. V. Kalinin. No scenario in this communications article.

MR Bn (BTR)
Arty Bn
Tank Company

Mort plt
ATGM podr

Voyennyy Vestnik 5/72.

"Vosstanovleniye boyesposobnosti tankovoy roty" [Restoration of the combat potential of a tank company]. I. Levchenko, F. Kuznetsov, & Yu Nelikhov. Unspecified artillery support. After being hit by a 10-KT low aerial nuclear burst, attack uses two airburst nuclear rounds during the attack from the march.

Tank Bn
Arty Btry

Voyennyy Vestnik 4/72. "O zadachakh podrazdeleniy v nastuplenii" [Subunit missions in an offensive]. V. Vinnikov. Attack through a prepared defense utilizing a nuclear strike. Bn subsequent mission is to the depth of the defending battalion.

MR Bn
Arty Bn
Tank Company

Voyennyy Vestnik 4/72.

"Inzhenernoye obespecheniye v nastuplenii" [Engineer support of an offensive]. M. Smirnov.

MR Bn
Arty Btry
Tank Company
Engr platoon

Voyennyy Vestnik 2/72.

"Taktiko-stroyevoye zanyatiye s tankovym batal'onom" [Tactical drill training for a tank

Tank Bn

battalion]. A. Demidov. Pure tank battalion without any support conducts a march, an attack against two platoons of a defending company (immediate objective) and a meeting battle against a counterattacking force.

Military Herald 11/71. "Solve this problem. Problem in setting up communications for an attack on an intermediate defensive position. Bn supported by an artillery battalion.

MR Bn
Tank Company
Engr platoon

Military Herald 6/71. "A battalion offensive on the march". B. Shchitikov. Attack supported by an artillery battalion, nuclear strike, a thirty-two minute artillery preparation and aviation. Immediate mission to the depth of the defending battalion and subsequent mission through the depth of the defending brigade.

MR Bn
Two Tank Companies
Engr platoon
Mort plt
ATGM podr
Bn rear

Military Herald 6/71. "A battalion commander evaluates an airborne enemy". N. Sharapov. Action against helicopters with ATGMs while attacking a hastily-prepared defense. Translation is flawed.

Tank Bn
Arty Bn
ZSU 23-4 platoon

Military Herald 10/70. "Organizing mutual support and maintaining it in battle". G. Zubarev. Supported by artillery battalion, two nuclear strikes and aviation.

MR Bn
Two Tank Companies
Engr platoon
MTU
Dozer
Mort plt
Btry
ATGM podr

Voyenny Vestnik 9/70. "Organizatsiya vzaimodeystviya v batal'one v nastuplenii" [Organization of coordination in a battalion in the offense]. V. Sayko & A. Timoshenko. Battalion supported by artillery battalion, a nuclear strike and aviation. Bn attacks dismantled. Immediate mission is to the depth of the

MR Bn (BTR)
Tank Company
Engr platoon
Mort plt
ATGM podr
Signal plt
Bn rear

defending battalion (5 km).
Direction of further advance into
depths of enemy defense.

Military Herald 3/71. "Tank attack and artillery fire". N. Shibayev. Tank battalion or motorized rifle battalion with attached tanks can be supported by an artillery battalion for the suppression of anti-tank weapons. Article discusses the effects of artillery fire on antitank weapons.

Military Herald 2/70. "Tank company Tank Bn
fire in an offensive operation". V. Lysenko. Tank battalion attacks without support to overcome an enemy in a hasty defense.

Military Herald 11/69. "Optional MR Bn
and tactical training exercise in Arty Btry
evaluating the radiological and Tank Company
chemical situation". B. Shubin.
Attack through enemy nuclear strikes.

Military Herald 11/69. "Tank Tank Bn
combat with antitank weapons in the Arty Bn
offense". N. Yezhov.

Military Herald 10/69. "Certain MR Bn Btry
principles of coordinated actions in Tank Company
combat". A. Ryazansky. Artillery AA Btry
battalion in support. Engr platoon
Chem recon sqd

Military Herald 8/69. "Defenses MR Bn
against incendiaries in the attack". Arty Btry
I. Vorobyev and V. Kokhanov. Defense Tank Company
against napalm. Chem recon sqd

Military Herald 4/69. "Coordination MR Bn (BTR) Mort plt
and support of the offensive". I. Arty Bn
Taran. Communications support to the Tank Company
attack.

Military Herald 9/68. "Attack from MR Bn AT gun plt
march column". P. Kunitskiy. Attack Arty Btry
from the march supported by a nuclear Tank Company
strike and an artillery battalion.

Military Herald 8/68. "Drilling in MR Bn
fire control". A. Khryashchev. Tank Company
Battalion supported by artillery
battalion. Article concerns artillery
fire planning.

Military Herald 8/68. "Engineer missions in a battalion". F. Khorin.

MR Bn (BTR)
Arty Btry
Tank Company
Engr platoon
Chem recon sqd

Military Herald 4/68. "The tank battalion in the attack". A. Sevast'yanov. Pure tank battalion conducts attack from the march.

Tank Bn

Motostrelkovyy batal'on v sovremennom boyu [The motorized rifle battalion in modern combat]. D. F. Loza, G. I. Garbuz and I. F. Sazonov. (Voyenizdat: Moskva, 1965). Pp 44-168. Supported by an artillery battalion, nuclear strike, aviation and a thirty-minute artillery preparation. Immediate mission is to the depth of the defending battalion. Direction of further advance is through the defending brigade reserve.

MR Bn
SAU100 Btry
Tank Company
Engr platoon
Tank with mine roller
BTU
Chem recon sqd

Mort plt
AT gun plt
Bn rear

Military Herald 7/66. "Engineering problems on an exercise with tank crews". I. Bubnov. Engineer support of a march, attack from the march and river crossing. March is conducted on HETs. Artillery support is not addressed.

Tank Bn
Engr platoon

Military Herald 5/66. "Artillery firing training in the field". S. Varygin. Training batteries to support an attack from the march.

MR Bn
Arty Bn
Tank Company

Military Herald 10/66. "Coordinated action in combat". V. Krilov. Attack through forces in contact supported by an artillery battalion, nuclear strike and fighter bombers. Detailed account of an attack from the march and pursuit and the coordination required to effect it.

MR Bn
Two tank Companies
Engr platoon
Chem recon sqd

Military Herald 3/66. "Classes with officers on the terrain". N. Fomin. An artillery battalion is in support. During the follow-on pursuit, the battalion becomes an advance guard and

MR Bn (BTR)
Tank Company

the artillery battalion is attached.

Vzaimodeystviye voysk v boyu
[Coordinating forces in combat]. G.
A. Zubapev. (Voyenizdat: Moskva,
1965). Pp. 69-100. Supported by an
artillery battalion and a nuclear
strike. Tank battalion is minus one
company. Pp. 105-115.

MR Bn Mort plt
Tank Bn (-) AT gun plt
AT gun Btry Bn rear
Engr platoon

MR Bn Mort plt
Arty Bn AT gun plt
Tank Company

Military Herald 10/65.
"Organizational principles". V.
Terekh. Radio communications within
a battalion.

MR Bn Mort plt
Arty Btry Bn rear
Tank Company

Military Herald 7/65. "Battalion
attacks from the march". G. Golofast,
V. Sayko, A. Timoshenko, and A.
Poletayev. Artillery battalion and
nuclear strike in support of this
attack through units in contact.
Battalion immediate mission is to the
depth of the defending battalion. The
attack goes through the middle of the
irradiated zone. Very detailed
explanation of the attack from the
perspective of the motorized rifle
battalion commander, chief of staff,
and artillery battalion commander.

MR Bn (BTR) Mort plt
Two tank Companies
Engr platoon AT gun plt
Three mine flails
MTU Bn rear
Chem recon sqd

Military Herald 6/65. "Engineer
support of an attack from the march
by a motorized rifle battalion". M.
Golovkin. Engineer platoon has BAT,
150 AT mines, 200 sections of banga-
lore torpedo, 100 kg HE, 100 meters
of road mat and 20 meters of prefab
wooden bridge. There is a BTU mine
plow and a mine flail in the tank
company.

MR Bn (BTR) Mort plt
Arty Bn AT gun plt
Tank Company Bn rear
Engr platoon
Chem recon sqd

Military Herald 6/65. "Communciations
in a battalion attacking from the
march". B. Ryzhonok. Radio and
signal communications in the attack.

MR Bn Mort plt
Arty Bn Vehicle
Tank Company maint &
Engr squad evac pt
Chem recon sqd

Military Herald 3/65. "Artillery
battalion in an attack from the
march". N. Shibayev and L. Tsymbal.

MR Bn Mort plt
122-mm How Bn

Attack supported by a nuclear strike. No armor is employed. Detailed article on fire planning.

Military Herald 3/65. "So that commands are received". B. Pomykallo and Ye. Sinitsyn. Insuring communications during the attack.

MR Bn (BTR)
Arty Bn
Tank Company

Military Herald 3/65. "Fire control training". S. Mutsynov. Unspecified artillery support.

MR Bn 120-mm Mort plt
Tank Co 57mm AT gun plt

Military Herald 12/64. "A battalion attacks from the march". P. Lukoyanov. Battalion supported by nuclear strike. Artillery battalion is short one battery. Battalion immediate mission is to the depth of the defending enemy company which is in prepared defenses. Further direction of attack takes the main attack through the nuclear strike zone. Detailed article on troop leading procedures and coordination.

MR Bn 120-mm Mort plt
Arty Bn (-) AT gun plt
Tank Company
Engr platoon
Chem recon sqd

Military Herald 10/64. "Organizational principles". V. Terekhin. Discussion of offensive communications including breakthrough and linkup with air assault and river crossing.

MR Bn Mort plt
Arty Btry
Tank Company

Military Herald 9/64. "Coordination in a motorized rifle battalion". P. Sirotkin. Attack against a prepared enemy using a nuclear strike. The immediate mission is to the rear of the defending battalion.

MR Bn Mort plt
Arty Bn AT gun plt
Tank Company
Tank destroyer Btry
Engr platoon

Military Herald 7/64. "Direction of a company in the attack". P. Belousov. Company makes the battalion main attack supported by a nuclear strike. Company immediate mission is to the depth of the defending platoons. The direction of further attack is past the depth of the defending company. There are at least two tank companies, and there may be as much as a tank battalion attached to the motorized rifle battalion. The company has an artillery battery and a tank company

MR Bn Mort plt
Arty Bn AT gun plt
Two tank Companies

attached.

Military Herald 7/64. "Control and communication in motorized rifle small units". V. Khokhlov. Attack supported by a nuclear strike and an artillery battalion.

MR Bn
Tank Company
Engr platoon
Chem recon sqd
Mort plt

Military Herald 6/64. "This also means help to the commander". V. Paramanov. Artillery battalion and nuclear strike supports the attack. Battalion immediate mission is to the rear of the defending battalion. Article deals with staff support to the commander.

MR Bn
Tank Company
Tank destroyer Btry
Engr platoon
Mort plt
AT gun plt
Btry

Military Herald 5/64. "Under conditions approximating combat". V. Pikalov. Battalion, exploiting a nuclear strike, is in turn struck by two enemy airburst nuclear strikes totalling 20 KT. When struck, the battalion is transitioning from battalion column to battalion prebattle formation. Article deals with battlefield reconstitution.

MR Bn
SP Arty Btry
Tank Company
Mort plt

Military Herald 5/64. "A battery supports a battalion attacking from the march". G. Kolesnichenko. Battery exercise in crossing a contaminated area, deployment, indirect fire, reconnaissance, communications, displacement and repelling a tank attack from the march.

MR Bn
Arty Btry

Military Herald 2/64. "In a situation which is close to the combat situation". A. Mel'nikov. Battalion supported by an artillery battalion, a nuclear strike and a movement support detachment. Describes an exercise in overcoming rubble and blowdown in an attack through a nuclear impact area.

MR Bn
Tank Company
AA podraz
Engr platoon
At gun plt

Military Herald 2/64. "The map as a combat document". A. Shardin. Article on proper symbology and drawing on maps. This attack is the article's example. Whether the anti-aircraft battery and the artillery

MR Bn
Arty Bn
Tank Company
AA Btry
Mort Btry
Bn rear

battalion are attached or supporting cannot be determined. Attack supported by a 10-KT airburst nuclear strike which was rocket-delivered. Attack is supported by AT reserve.

Military Herald 6/63. "Battalion staff in an attack from the march". P. Shemanskiy. Attack supported by an artillery battalion and a 10-kt rocket-delivered airburst nuclear strike.

MR Bn Mort plt
Tank Company AT gun podr
Engr platoon Bn med pt

Military Herald 6/63. "Operations of an artillery battalion during an attack from the march". N. Shibayev. Detailed article on fire coordination.

Tank Bn
Arty Bn

Military Herald 6/63. "The accomplishment of engineer tasks in an attack by a motorized rifle battalion". R. Gabrielyan. Attack supported by four rocket delivered airburst nuclear strikes (2-5-kt, 1-10-kt, 1-unk) plus the fires of the unit in contact that the battalion attacks through.

MR Bn AT gun podr
Arty Bn
Tank Company
ATGM Btry
AA Btry
Engr platoon-MTU
Chem recon sqd

Military Herald 3/63. "Tankers attack from the march". I. Popov. Attack against a company and a half in a hasty defense supported by a nuclear strike.

Tank Bn
Arty Bn
Rifle Company
Engr platoon

Military Herald 1/63. "Coordination communications". V. Khokhlov. Article on coordination of various elements reinforcing a motorized rifle battalion and a tank battalion. The tanks are designated NPP. No mention is made of mortar platoon commo or its lashup with the artillery battalion.

MR Bn
Arty Bn
Tank Company
Engr Company
BAT
MTU
Chem recon sqd

Tank Bn
Arty Bn
Rifle Company
Engr platoon
MTU
Chem recon sqd

Military Herald 12/62. "Tactical maturity in the officer". F. Gavrikov and Ya. Davydov. Nuclear strike and undetermined artillery supports the

MR Bn (BTR) Mort plt
SP Arty podraz
Tank Company
Engr platoon

main attack. Rifle company makes a supporting night attack. After the breakthrough, the company becomes the FSE for the advance guard and receives two K-61s and a platoon of river crossing vehicles for a river crossing and transition to the defense.

Military Herald 5/62.

"Communications in a battalion attacking from the march". A. Rutskey. Tanks are designated NPP (close infantry support).

MR Bn Mort plt
Arty podraz
Tank Company

Military Herald 4/62.

"Communications in a tank battalion". S. Vasil'yev. Artillery battalion supporting. Article discusses the possibility of assigning tank companies as NPP but does not discuss rifle companies attached to tank battalions. Discusses communications with engineers during river crossings.

Tank Bn Bn rear
 Repair shop
 Rep-evac grp
 Tech obs pst

Appendix F-Battalion Composition-Attack from a Position in Direct Contact with the Enemy

<u>Source</u>	<u>Bn w/Attachments</u>	<u>Organic</u>
<u>Motostrelkovyy (tankovyy) batal'on v boyu</u> [Motorized rifle (tank) battalion in Combat]. D.A. Dragunskiy. (Moskva: Voenizdat, 1986), P. 132. Supported by additional artillery and aviation.	MR Bn (BMP) Arty Bn Tank Company AT platoon	Mort Btry AD platoon AT platoon
<u>Voyennyy Vestnik 7/82.</u> "Vo vzaimodeystvii s artilleriyey" [Coordination with artillery]. C. Kireyev. Supported by a nuclear strike and additional artillery.	MR Bn Arty Bn Tank Company Engr platoon	Mort Btry AT platoon
<u>Voyennyy Vestnik 7/82.</u> "Ataka na boyevykh mashinakh pekhoty" [Attacks on BMPs]. V. Ivashchenko. "Zapad 81" exercise experience.	MR Bn (BMP) Arty Bn Tank Company Engr Platoon	Mort Btry AD platoon
<u>Voyennyy Vestnik 6/82.</u> "Kak gotovilos' nastupleniye" [How to prepare for an offensive]. V. Skulushkin. "Zapad 81" exercise experience supported by additional artillery and aviation.	Tank Bn Arty Bn MR Company AT platoon	
<u>Voyennyy Vestnik 4/82.</u> "Nastupayet batal'on" [Battalion advances]. S. Marov. Attack supported by an artillery battalion.	MR Bn Tank Company Engr platoon	
<u>Voyennyy Vestnik 2/80.</u> "Razvedka boyem" [Reconnaissance in force]. A. Nazarov & R. Trofimov. Supported by an artillery battalion and an ATGM battery.	MR Bn (BMP) Tank Company Engr platoon	
<u>Voyennyy Vestnik 5/74.</u> "Borba artillerii s protivotankovymi sredstvami" [Artillery combats antitank assets]. A. Rodin.	MR Bn Arty Bn Tank Company Mortar Btry ATGM Btry	
<u>Voyennyy Vestnik 8/73.</u> "Upravleniye protivotankovymi sredstvami v period ARTPODGOTOVKI"	MR Bn (BTR) Tank Company ATGM Btry	Mort Btry AT podr Bn rear

[Control of antitank assets during the artillery preparation]. R. Kiudma. Supported by artillery battery for direct fire and at least one artillery battalion during the artillery preparation.

Voyenny Vestnik 4/72.

"Divizion v nastuplenii"
[Artillery battalion in the offensive]. N. Kozlov. Artillery planning including a nuclear strike.

Mr Bn
Arty Bn
Tank Company

Mort Btry

Military Herald 4/71.

"Organization of battalion fire in the offensive". V. Sayko, A. Lovi & N. Yezhov. Bn supported by an artillery battalion and additional artillery.

MR Bn
Tank Company

Mort plt
ATGM podr

Motostrelkovyy batal'on v

sovremennom boyu [The motorized rifle battalion in modern combat]. D. F. Loza, G. I. Garbuz and I. F. Sazonov. (Voyenizdat: Moskva, 1965), pp. 30-44, 169-176.

MR Bn (BTR)
Arty Bn
Mortar podraz
1-2 Tank Companies
AT gun Btry
1-3 Engr platoons
Mine plows
Several MTUs
Chemical defense podr

Mort plt
AT gun plt
Bn rear

Military Herald 5/64. "Fire control of subunits in the attack". N. Yezhov. Principles of fire control for an attack from positions in direct contact and from the march.

MR Bn
122-mm Arty Bn
Tank Company

Mort plt
AT gun plt

Appendix G-Battalion Composition-Committal of Second Echelon Battalion

<u>Source</u>	<u>Bn w/Attachments</u>	<u>Organic</u>
<u>Voyenny Vestnik</u> 3/83. "Vvoditsya vtoroy eshelon" [Introduction of the second echelon]. A. Gal'tsev. Battalion supported by an artillery battalion and covered by battery of ZSU 23-4.	MR Bn (BMP) Tank Company Engr platoon	
<u>Voyenny Vestnik</u> 3/83. "Protivo-vozdushnaya oborona pri vvode v boy vtorogo eshelona" [Air defense during the introduction of the second echelon into combat]. A. Koryt'ko. Attached AD platoon has 2 ZSU 23-4 and missiles. An artillery battalion, apparently in support of a first echelon battalion, apparently shifted its supporting role to the second echelon battalion.	MR Bn AD platoon	Mort btry AD platoon
<u>Voyenny Vestnik</u> 8/78. "Vvod v boy vtorogo eshelona" [Introduction of the second echelon into combat]. G. Petrovskiy. Supported by arty bn, MR bn and AT platoon.	MR Bn Tank Company	
<u>Voyenny Vestnik</u> 3/77. "Vvod v boy vtorogo eshelona" [Introduction of the second echelon into combat]. M. Loginov. Supported by two artillery battalions.	Tank Bn MR platoon AD platoon Engr platoon	
<u>Voyenny Vestnik</u> 9/75. "Vvod v boy vtorogo eshelona" [Introduction of the second echelon into combat]. M. Kramskoy. Supported by ten-minute artillery strike by one artillery battalion.	MR Bn (BMP) Tank Company (minus platoon)	ATGM podr
<u>Military Herald</u> 10/71. "A rear echelon enters battle". M. Kalabskiy. Bn supported by a ten-minute artillery strike by one artillery battalion.	MR Bn Tank Company AT Reserve (plt?) Engr platoon Chem recon sqd	Mort plt ATGM podr

Military Herald 8/64.
"Exploitation of intervals and
gaps". N. Gorbunov. First
example concerns the exploitation
of a nuclear strike by a reserve
battalion with unspecified
artillery in support. The second
example concerns an arctic region
night attack.

MR Bn
120mm Mort Btry
Tank Company

Amphibious Tank Bn
Engr squad

AT gun plt

Military Herald 1/64. "An
examination for tactical
maturity". A. Shurygin.
Exploitation of a nuclear strike.

MR Bn
Arty Btry
Mortar Btry
Engr platoon

AT gun plt

Appendix H-Battalion Composition-Battle in the Depth of the Enemy Defense

<u>Source</u>	<u>Bn w/Attachments</u>	<u>Organic</u>
<p><u>Voyenny Vestnik 3/87.</u> "Takticheskaya zadacha No. 4" [Tactical problem No. 4]. Battalion, having achieved the immediate mission and enroute to the subsequent mission, is faced with a strong counterattack.</p>	<p>MR Bn (BMP) Arty Bn Tank Company</p>	<p>Mort btry AD platoon AGS 17 plt</p>
<p><u>Voyenny Vestnik 10/83.</u> "Takticheskaya zadacha" [Tactical problem]. Second echelon bn, having been introduced into combat, is faced with a strong counterattack.</p>	<p>MR Bn (BTR) Arty Bn Tank Company Engr platoon</p>	<p>Mort btry AT platoon AD platoon</p>
<p><u>Voyenny Vestnik 7/83.</u> "Protivo-vozdushnaya oborona batal'ona pri boye v tylu protivnika" [Air defense of a battalion during combat in the enemy's rear area]. N. Sharapov. Concerns air defense of a MR Bn and a Tank Bn in deep battle.</p>	<p>MR Bn (BMP) Arty btry Tank Company AD btry (ZSU 23-4) Engr platoon</p> <p>Tank Bn SP Arty btry MR Co (with SA7/14 gunners) ZSU 23-4 platoon</p>	
<p><u>Voyenny Vestnik 6/83.</u> "Takticheskaya zadacha" [Tactical problem]. Battalion encounters defending enemy backed by a counterattacking force. Battalion is supported by fighter-bombers.</p>	<p>MR Bn (BMP) Arty Bn Tank company Engr platoon</p>	<p>Mort btry AD platoon</p>
<p><u>Voyenny Vestnik 3/83.</u> "Takticheskaya zadacha" [Tactical problem]. Bn attacks through a defending enemy to achieve its subsequent mission. Artillery battalion in support.</p>	<p>MR Bn (BTR) Arty btry AT btry Engr platoon Chem recon sqd</p>	<p>Mort btry AT platoon AD platoon</p>
<p><u>Voyenny Vestnik 8/82.</u> "Takticheskaya zadacha" [Tactical problem]. Bn attacks through a defending enemy to achieve its subsequent mission. Two flights of aviation in support.</p>	<p>MR Bn Arty Bn Tank Company Engr platoon Chem recon sqd</p>	<p>Mort btry AD platoon AT platoon AGS 17 plt</p>

<p><u>Voyenny Vestnik 7/82.</u> "Sovmestnaya takticheskaya letuchka" [A combined tactical exercise]. M. Pankov.</p>	<p>MR Bn Arty Bn Tank Company</p>	
<p><u>Voyenny Vestnik 4/82.</u> "Batal'on otrazhayet kontrataku" [Battalion repels a counter-attack]. V. Dativ. Mortar btry is listed as a reinforcement. No mention is made of the organic mortar btry.</p>	<p>MR Bn (BMP) Arty Bn Tank Company Mortar btry AD platoon Engr platoon</p>	
<p><u>Voyenny Vestnik 4/82.</u> "Takticheskaya zadacha" [Tactical problem]. Supported by artillery battalion.</p>	<p>MR Bn Tank Company Engr platoon</p>	<p>Mort btry AT platoon</p>
<p><u>Voyenny Vestnik 12/81.</u> "Batal'on presleduyet protivnika" [Battalion pursues the enemy]. V. Akimov.</p>	<p>MR Bn (BMP) Arty Bn Tank Company</p>	<p>Mort btry</p>
<p><u>Voyenny Vestnik 10/81.</u> "Takticheskaya zadacha" [Tactical problem]. Battalion acts as a reconnaissance detachment during a pursuit.</p>	<p>MR Bn (BMP) Tank Company Engr platoon Chem recon sqd</p>	
<p><u>Voyenny Vestnik 5/80.</u> "Takticheskaya zadacha" [Tactical problem]. Battalion in pursuit attacks to its subsequent mission. Arty Bn in support.</p>	<p>Tank Bn MR platoon Engr platoon Chem recon sqd</p>	
<p><u>Voyenny Vestnik 2/80.</u> "Takticheskaya zadacha" [Tactical problem]. Battalion supported by artillery battalion and aviation. Mortar btry is listed as a reinforcement. No mention is made of the organic mortar battery.</p>	<p>MR Bn (BMP) Tank Company Mortar btry Engr Platoon</p>	
<p><u>Voyenny Vestnik 8/77.</u> "Reshite etu zadachu" [Solve this problem]. Mortar battery listed as reinforcement. Bn hit by three low-yield nuclear weapons delivered by fighter bombers. Bn supported by an artillery battalion.</p>	<p>MR Bn (BMP) Arty Btry Mortar Btry Engr platoon</p>	

<p><u>Voyennyy Vestnik</u> 5/77. "Nastupleniye v glubine oborony" [Advance in the depths of the defense]. G. Mukhamedzhanov. Advance guard attacks a retreating enemy, defeats a counterattack and seizes a river crossing.</p>	<p>MR Bn (BMP) Arty Bn Tank Company Mortar Btry Engr platoon</p>	
<p><u>Voyennyy Vestnik</u> 5/77. "Takticheskaya letuchka" [Tactical exercise]. B. Perfil'ev. Enemy employs two nuclear weapons against battalion and three nuclear weapons against neighboring units.</p>	<p>Tank Bn Arty Bn</p>	
<p><u>Voyennyy Vestnik</u> 2/77. "Predvideniye v boyu" [Foresight in combat]. N. Shishkin. Battalion prevents a retreating enemy from establishing a defense.</p>	<p>Tank Bn Arty Bn</p>	
<p><u>Voyennyy Vestnik</u> 8/76. "Zadacha No. 4" [Problem No. 4]. MR Bn attacks from hasty defense and advances along with regiment.</p>	<p>MR Bn (BTR) Arty Bn Tank Company AD platoon Engr platoon Chem recon sqd</p>	<p>Mort plt ATGM podr Signal plt Supply plt</p>
<p><u>Voyennyy Vestnik</u> 4/76. "Takticheskaya zadacha" [Tactical problem]. Attack against an enemy defending at an intermediate position. Supported by an artillery battalion.</p>	<p>MR Bn Tank Company Engr platoon</p>	<p>Mort plt ATGM podr</p>
<p><u>Voyennyy Vestnik</u> 5/73. "Likvidatsiya posledstviy yadernykh i khimicheskikh udarov" [Elimination of the after-effects of chemical and nuclear strikes]. N. Luganskii & V Glushchenko. Battalion supported by artillery battalion.</p>	<p>MR Bn Tank Company Chem recon sqd</p>	<p>ATGM podr</p>
<p><u>Military Herald</u> 3/71. "Tactical instruction". P. Kunitskiy. Flawed translation. Attack supported by aviation.</p>	<p>MR Bn Arty Bn Mortar Btry Engr platoon</p>	<p>AT podr</p>
<p><u>Military Herald</u> 2/70. "Tactical problem". Battalion advancing in</p>	<p>MR Bn Tank Company</p>	

prepares to meet a counterattack.

Military Herald 6/65. "An Tank Bn
exercise with field firing". P. Arty Bn
Zargaryan. Exercise of a battery
supporting a tank company in an
attack from the march against an
enemy in a hasty defense. No
engineer or motorized rifle element
is mentioned.

Military Herald 7/64. MR Bn
"Artillery battalion in the Tank Company
depth of the enemy's defense".
N. Lastochkin. Artillery battalion
and nuclear strike support the
commitment of a reserve battalion
to combat.

Military Herald 7/64. "What is Tank Bn
your decision?" Tank battalion, Arty Bn
supported by a nuclear strike, MR platoon
is attacking deep in the enemy
depths.

Military Herald 7/64. "Solve MR Bn Mort plt
this problem". Arty Bn
Tank Company
Engr platoon
Ferry squad

Military Herald 4/64. "Mortar MR Bn Mort plt
platoon in the attack". M. 122mm Btry AT gun plt
Grigor'yev. Pursuing battalion
attacks an enemy in hasty defensive
positions. Tank Company

Military Herald 4/64. "Solve MR Bn
this problem-Engineer support of Arty Btry
the attack of a motorized rifle Tank Company
battalion". Engineer platoon has Engr platoon
3 armored carriers, 100 fuses, Chem recon sqd
150 kg of HE and an MTU. Tank
company has a BTU kit per platoon
and a PT54 mine roller kit.

Military Herald 2/64. "Solve MR Bn
this problem". Battalion 120-mm Mort Btry
supported by an artillery Tank Company
battalion and a nuclear strike. Engr platoon
Fight to seize a river crossing Chem recon sqd
against a near bank hasty defense.

Military Herald 11/63. "Flank attack". N. Fomin. Pure tank battalion makes an unopposed river crossing and hits the enemy in the flank.

Tank Bn

Military Herald 6/63. "The attack by a motorized rifle battalion on an enemy who has assumed the defense in the course of battle". I. Sviriyayev. Battalion conducts pursuit in company march column. Immediate mission with nuclear weapons is equal to the depth of destruction of the units of the enemy first echelon. In a nonnuclear attack, the immediate mission is to the depth of the defending battalion. Both attacks have a direction of further advance.

MR Bn 120-mm Mort plt
122-mm How Btry 57-mm gun plt

Military Review 5/63. "The tactics meeting". A. Ryazanskiy. An artillery battalion and two nuclear strikes support the advance. The article is about training company level officers on battlefield coordination.

MR Bn 85-mm gun plt
Mortar Btry
Tank Company
Engr platoon
Chem recon sqd

Military Review 4/63. "What is your solution?". Advance supported by medium yield nuclear strike. Problem involves reaction to an enemy sarin strike.

MR Bn
Mortar Btry
Tank Company
Engr platoon

Military Review 3/63. "In the depth of the defense (a battery supports the attack of a battalion from the march)". B. Strel'chenko. Advance supported by a nuclear strike and unspecified mortar and artillery fire.

MR Bn
85-mm gun Btry

Military Herald 7/62. "A tactical problem - A motorized rifle battalion fights in the depths of the defense". Supported by an artillery battalion, atomic strike and

MR Bn Mort plt
Two tank Companies AT gun plt
Engr platoon

regimental AT reserve.

Military Herald 4/62. "Tactical MR Bn
drill exercises involving a Arty Btry
motorized infantry battalion" Tank Company
A. Serov. Pursuit and meeting
battle.

Appendix I-Battalion Composition-Transitioning to the Defense

<u>Source</u>	<u>Bn w/Attachments</u>	<u>Organic</u>
" <u>Voenny Vestnik</u> 4/89. "V "Perezhivaniya oborony" [In the interest of the defense]. Yu. Kuznetsov. Battalion supported by artillery battalion. Article concerned with reconnaissance by observation posts and forward patrols while transitioning to defense while in direct contact with the enemy.	MR Bn Tank Company Chem recon sqd	
<u>Takticheskaya podgotovka moto- strelkovykh i tankovykh podraz- deleniy</u> [Tactical training of motorized rifle and tank subunits]. V. A. Merimskiy. (Voyenizdat: Moskva, 1987). P. 293.	MR Bn Arty Bn Tank Company Engr platoon Chem recon sqd	
<u>Motostrelkovyy (tankovyy) batal'on v boyu</u> [Motorized rifle (tank) battalion in combat]. D. A. Dragunskiy. (Moskva: Voenizdat, 1986). p. 216.	MR Bn (BMP) Arty Bn 2 Tank Companies Engr platoon Chem recon sqd	Mort btry AD platoon AT platoon AGS 17 plt Supply plt Maint grp
<u>Artilleriyskiy divizion v boyu</u> [Artillery battalion in combat] G. E. Peredel'skiy. (Moskva: Voenizdat, 1984). p. 171.	MR Bn Arty Bn Tank Company	AT plt
<u>Voenny Vestnik</u> 9/83. "Perekhod k oborone" [Transition to the defense]. V. Konstantinov. Forward detachment seizes a river crossing site.	MR Bn (BMP) Arty Bn Tank Company Engr platoon	Mort Btry AT platoon AD platoon AGS 17 plt
<u>Voyenny Vestnik</u> 4/81. "Zanimaya oborona" [Occupying the defense]. V. Zhukov. Additional artillery supporting defense.	MR Bn (BMP) Arty Btry Tank Company AT platoon	Mort plt?
<u>Voyenny Vestnik</u> 5/79. "Zakhvat i zakrepleniye vygodnykh rubezhey" [Seizing and fortifying advantageous lines]. S. Davidov.	MR Bn (BMP) Arty Bn Tank Company ZSU 23-4 plt Engr platoon	Mort plt

<p><u>Voyennyy Vestnik</u> 3/78. "Po kompleksnoy teme" [On a complex theme]. K. Kurenkov & V Rudoy. Supported by artillery battalion.</p>	<p>MR Bn (BTR) Tank Company</p>	<p>Mort Btry AT platoon</p>
<p><u>Voyennyy Vestnik</u> 3/78. "Reshite eti zadachi" [Solve these problems]. Going over to a defense on both sides of a river.</p>	<p>MR Bn (BTR) Arty Bn Tank company Engr platoon BKM machine</p>	
<p><u>Voyennyy Vestnik</u> 4/77. "Vashe Resheniye?" [Your solution?] Advance guard attacking in depth of enemy defenses, crosses a river crossing and prepares to meet a strong enemy. Enemy is employing gas. Bn is supported by an additional artillery battalion.</p>	<p>MR Bn Arty Bn Tank Company ZSU 23-4 platoon Engr platoon GSP platoon PTS platoon</p>	<p>Mort Btry AT platoon</p>
<p><u>Voyennyy Vestnik</u> 7/76. "Perekhod k oborone vodnoy pregrady" [Transitioning to the defense of a water obstacle]. A. Vinogradov. Withdrawing bn establishes defense in coordination with neighboring battalion and regt. Supported by artillery battalion, regimental AT reserve and counterattack force.</p>	<p>MR Bn (BTR) Tank Company Engr platoon</p>	<p>Mort plt</p>
<p><u>Voyennyy Vestnik</u> 10/74. "Konkurs" [Competition]. Bn establishes defense away from enemy contact. Supported by an artillery battalion. Struck by enemy nuclear round.</p>	<p>MR Bn (BTR) Tank Company</p>	<p>Mort plt ATGM podr AT platoon</p>
<p><u>Voyennyy Vestnik</u> 8/73. "Tankisty perekhodyat k oborone" [Tankers transition to the defense]. A. Gusarov.</p>	<p>Tank Bn Arty Btry 122-mm MR Company</p>	
<p><u>Voyennyy Vestnik</u> 8/73. "Svyaz' v batal'one pri perekhode k oborone" [Communications in a battalion during the transition to a defense]: V. Shadrin. Subordination of mortar platoon and ATGM <u>podrazdeleniye</u> uncertain.</p>	<p>MR Bn (BTR) Arty Bn Mortar platoon ATGM podraz</p>	<p>Bn rear</p>

<p><u>Military Herald</u> 7/71. "The defense of a <u>podrazdeleniye</u>". Ye. Sherstobitov. Good theoretical article on battalion defense. Battalion supported by an artillery battalion and anti-tank reserve.</p>	<p>MR Bn Tank Company</p>	<p>Mort Btry</p>
<p><u>Military Herald</u> 7/71. "Battalion actions of the defense". N. Stroganov. Artillery battalion supports a defending motorized rifle battalion.</p>	<p>MR Bn</p>	<p>Mort plt</p>
<p><u>Military Herald</u> 7/71. "Organizing the fire system of a battalion on the defense". V. Stepanchikov. Battalion supported by artillery battery. Additional artillery support planned.</p>	<p>MR Bn (BTR) Mortar Btry Tank Company (- plt) AT gun platoon</p>	<p>Mort plt ATGM podr Btry</p>
<p><u>Military Herald</u> 1/71. "Motorized infantry company assumes the defense". V. Karpov. Battalion supported by an artillery battalion.</p>	<p>MR Bn (BTR) Tank Company Engr platoon</p>	<p>Mort plt Btry ATGM podr</p>
<p><u>Military Herald</u> 7/70. "Answer to a tactical problem". Battalion transitions to a defense to meet a counterattack while continuing a one-company attack to secure advantageous terrain.</p>	<p>MR Bn Arty Bn Tank Company Engr platoon</p>	<p>Mort plt</p>
<p><u>Military Herald</u> 2/69. "Eliminating the results of nuclear and chemical attack". V. Demin and I. Serukhov. Battalion hit by a nuclear strike. Two Mi-4 helicopters and an <u>ad hoc</u> team of motorized rifle, engineer, chemical defense, medical and repair and evacuation subunits help restore the situation.</p>	<p>MR Bn Arty Btry Tank Company</p>	
<p><u>Military Herald</u> 7/67. "Fire system of a company in the defense". I. Glebov. Article concerns establishing firing</p>	<p>MR Bn (BTR) Arty Bn Tank Company Engr platoon</p>	<p>AT gun plt</p>

sectors in a company.

Military Herald 9/66.

"Motorized rifle battalion in the defense". G. Golofast, V. Sayko, A. Timoshenko, G. Spuskanynk, and A. Poletayev. Artillery battalion supporting. Battalion transitions while in direct contact. An engineer company, with the BAT and BTU, is assigned to lay an AT minefield. One tank company is withdrawn as the defense gels. This is a very detailed article on actions of the battalion commander, engineer support, artillery support, staff functions and fire control in the defense.

MR Bn
Two Tank Companies
Engr platoon
Chem recon sqd
Mort plt
AT gun plt
Bn rear

Military Herald 9/66. "Under enemy fire". I Sviriyayev. Fire support and engineer support are not addressed.

MR Bn
Tank company
120-mm mort plt
AT gun plt

Military Herald 9/66.

"Communicating in a battalion when reverting to the defense". A. Kedich. The establishment of radio and wire communications in a defense.

MR Bn
Arty Btry
Tank Company
Engr squad
Chem recon sqd
Mort plt
At gun plt

Motostrelkovyy batal'on v sovremennom boyu [The motorized rifle battalion in modern combat]. D. F. Loza, G. I. Garbuz and I. F. Sazonov. (Voyenizdat: Moskva, 1965). Pp. 224-291. Supported by an artillery battalion, regimental counterattack, nuclear strike and engineer.

MR Bn
Tank Company
Mortar Btry
ATGM platoon
Mort plt
AT gun plt

Military Herald 8/65.

"Repelling counterattacks". I. Velenets. Motorized rifle battalion operating in the depth of the enemy defense assumes a defense to repel an expected counterattack by firepower from advantageous positions. The enemy employs a 1-KT nuclear

MR Bn
Arty Bn
Two tank companies
AT Bn
MR Bn
Sp How Btry
Tank Company

weapon. In the second example,
battalion seizes advantageous
terrain to repel a counterattack.

Military Herald 11/64. "Solve
this problem". Battalion,
fighting in the depth of the
enemy, transitions to the defense.
Artillery battalion supports.

MR Bn (BTR)
Tank Company

Mort plt
AT gun plt

Appendix J-Battalion Composition-Defense

<u>Source</u>	<u>Bn w/Attachments</u>	<u>Organic</u>
<u>Voyenny Vestnik</u> 6/89. "Razvedka v oborone" [Reconnaissance in the defense]. A. Batenev. Article on procedures and responsibilities.	MR Bn Arty Bn Tank Company	
<u>Inzhenernoye obespecheniye boya</u> [Engineer support of battle]. E. S. Kolibernov, V. I. Kornev & A. A. Soskov. (Moskva: Voenizdat, 1988). p. 80. Book discusses preparing field positions for a forward battalion but does not discuss artillery in support.	MR Bn (BTR) Tank Company	Mort Btry AT platoon AD platoon AGS 17 plt Supply plt
<u>Voyenny Vestnik</u> 4/88. "Na rubezhakh oborony" [On the lines of defense]. Discussion of a Tamen Guards Division battalion defensive position constructed for officer professional development. Supported by helicopters.	MR Bn (BTR) Arty Bn Tank Company AD battery AT battery Engr platoon	Mort Btry AT platoon AD platoon AGS 17 plt Supply plt Maint grp
<u>Voyenny Vestnik</u> 8/87. "Upravleniye v oborone" [Control in the defense]. A. Zhukov. Supported by an artillery battalion.	MR Bn Tank Company	Mort Btry AT platoon
<u>Motostrelkovyy (tankovyy) batal'on v boyu</u> [Motorized rifle (tank) battalion in combat]. D. A. Dragunskiy. (Moskva: Voenizdat, 1986). p. 219.	MR Bn (BMP) Arty Bn Tank Company Engr platoon Chem recon sqd BTU 2 KVSU (corrugated steel shltr) 4FVU (Filtering venilation set)	Mort Btry AT platoon AD platoon AGS 17 plt Supply plt Maint grp
<u>Karta ofitsera</u> [The officer's map]. I. D. Pombrik and N. A. Shevchenko. (Voenizdat: Moskva, 1985). Front flyleaf. Book on map symbols uses this as an example.	MR Bn Arty Bn	Mort Btry AT platoon AD platoon Bn rear
<u>Voyenny Vestnik</u> 1/84. "Batal'on oboronyayet poberezh'ye"	MR Bn (BMP) Tank Company	Mort Btry

[Battalion defends a coastline]. Artillery battalion in support.	ZSU 23-4 platoon Engr squad	
<u>Voyenny Vestnik 5/82.</u> "Reshitel'nost' kontratak" [Decisiveness of counterattacks]. I. Velenets. Concerns two bn counterattacks. Enemy employs three nuclear strikes, aerial attack, two air assault landings and ground attack.	MR Bn (BMP) Arty Bn (minus btry) Tank Company(minus platoon)	Mort Btry
<u>Voyenny Vestnik 3/82.</u> "Oboronyayetsya batal'on" [The battalion is defending]. V. Galkin. Battalion defending at night, supported by the artillery available to regiment.	MR Bn (BMP) Arty Btry Tank Company	Mort Btry
<u>Voyenny Vestnik 3/82.</u> "Kontrataka" [Counterattack]. Yu. Zavatskiy. Tank bn counter- attacks from regimental second echelon. Night counter attack supported by an artillery battalion and a platoon of ZSU 23-4s.	MR Bn (BTR) 2 Tank plts ZSU 23-4 plt ATGM platoon Engr platoon 2 BTM	Mort Btry AT platoon AD platoon AGS 17 plt
<u>Voyenny Vestnik 3/82.</u> "Inzhenernoye obespecheniye" [Engineer support]. M. Smirnov. Concerns night defense and illumination.	Tank Bn	
<u>Voyenny Vestnik 3/82.</u> "Inzhenernoye obespecheniye" [Engineer support]. M. Smirnov. Concerns night defense and illumination.	MR Bn (BMP) Arty Bn Tank Company Engr platoon Chem recon sqd	Mort Btry AT platoon Medical pt
<u>Voyenny Vestnik 2/82.</u> "Takticheskaya zadacha" [Tactical problem]. Bn defending in regt 2d echelon counterattacks supported by arty bn and AT btry. Enemy ground attack supported by aviation and air assault landing.	MR Bn (BMP)	Mort Btry
<u>Voyenny Vestnik 8/81.</u> "Kontrataka" [Counterattack] S. Shevchenko. Concerns defense of a coastline supported by additional artillery. The mortar battery is listed as a reinforce- ment. No mention is made of the organic mortar battery.	MR Bn (BMP) Arty Bn Tank Company Mortar btry Engr platoon Chem recon sqd	AT platoon
<u>Voyenny Vestnik 4/81.</u> "V	MR Bn(BMP)	

ogranichenom sroku" [With limited time]. N. Vinokur. Defense supported by artillery battalion. The mortar battery is listed as a reinforcement. No mention is made of the organic mortar battery.

Tank Company
Mortar btry

Voyennyy Vestnik 4/81.
"Sistema ognya artillerii pri podderzhke motostrelkovogo batal'ona" [System of artillery support for a MR Bn]. V. Il'in & V. Sofronov. Supported by artillery battalion and AT platoon.

MR Bn
Tank Company
ZSU 23-4 plt
Engr platoon

Mort plt?
At platoon

Voyennyy Vestnik 4/81.
"Zenitnaya batareya v boyu" [Air defense battery in combat]. V. Subbotin. Composition is map-derived and thus artillery subordination is uncertain. Article clearly shows that the four ZSU 23-4 AD weapons found at regiment are organized in a battery of two platoon, not a platoon as carried in FM 100-2-3.

MR Bn
Arty Bn
AD btry (4 ZSU 23-4)
At least 4 tanks.

Mort btry
AD platoon

Voyennyy Vestnik 4/81.
"Oborudovaniye pozitsiy" [Engineer preparation of positions]. V. Nikul'shin. Exercise in a mountainous desert region.

MR Bn(BMP)
Tank Company
Arty Btry
ZSU 23-4 plt
Engr platoon

Mort Btry
AD platoon

Voyennyy Vestnik 4/81.
"Taktucheskaya zadacha" [Tactical problem]. Actions of a penetrated battalion during a counterattack by another MR bn. Bn supported by an artillery battalion. Mortar btry is listed as a reinforcement. No mention is made of the organic mortar battery.

MR Bn (BMP)
Tank Company
Mortar battery
ZSU 23-4 platoon
Engr platoon

Voyennyy Vestnik 4/81.
"Komandir batal'ona organizuyet ogon'" [The battalion commander organizes fire]. I. Proskurin. Concerns defensive fire planning.

MR Bn (BMP)
Tank Company
ZSU 23-4 plt
Engr platoon

Mort Btry
AT platoon
AD platoon
Supply plt

Supported by artillery battalion, artillery group and regimental AT platoon.

Voyenny Vestnik 3/80.

"Aktivnost' oborony" [Dynamism in the defense]. V. Tumas. Composition not totally clear, but defense is reinforced/ supported by at least one artillery battalion, supported by a tank battalion counterattack and an AT platoon.

MR Bn

Mort Btry

Voyenny Vestnik 5/79.

"Oborona morskogo poberezh'ya" [Defense of a coastline]. I. Proskurin. Battalion defends a coastline and fortifies a point.

MR Bn (BMP)
Arty Bn
Tank Company
ZSU 23-4 plt
Engr platoon
Chem recon sqd

Mort plt
AT platoon

Voyenny Vestnik 7/78.

"Organizatsiya oborony morskogo poberezh'ya" [Organizing the defense of a coastline]. A. Tymchenko. Supported by an artillery battalion, the regimental AT reserve, and a battery of coastal artillery.

MR Bn
122-mm Btry
Tank Company
Engr platoon

Mort plt

Voyenny Vestnik 11/77.

"Kontrataka v oborone batal'ona" [Counterattack in the defense of a battalion]. V. Boriskin.

MR Bn (BMP)
Arty Bn
Tank Company
Mortar Btry

Voyenny Vestnik 3/77.

"Komandir batal'ona stavit zadachi artillerii v oborone" [The battalion commander assigns the artillery mission in the defense]. Supported by Regimental artillery group and armored counterattack force.

MR Bn
Arty Bn
AT platoon

Mort plt
AT platoon

Voyenny Vestnik 3/77.

"Zashchita voysk pri oborone morskogo poberezh'ya" [Protection of the forces during the defense of a coastline]. V. Tkachev. Enemy employs two nuclear strikes, a chemical strike and smoke

MR Bn (BTR)
Tank Company
Engr platoon
Chem recon sqd
KhRD vehicle

Mort plt
AT platoon
Supply
Med point

against a coastal defense. Bn supported by unspecified artillery and coastal artillery.

Voyenny Vestnik 10/76.

"Zenitchiki v oboronitel'nom boyu" [Air defenders in the defense]. V. Subbotin. Air defense of bn defending a riverline.

MR Bn
Arty Bn
Tank Company
ZSU 23- 4 plt
AT reserve

Mort Btry
AD platoon

Voyenny Vestnik 1/75.

"Kogda batal'on vedet oboronitel'nyy boy" [When the battalion conducts defensive combat]. V. Selyavin & L. Veselov. Bn supported by arty battalion and nuclear strike.

MR Bn
Arty Btry
Tank Company
Mortar Btry
ATGM podraz

Tankovyy batal'on v boyu [Tank battalion in combat]. P. I. Konoplya & N. A. Maykov. (Moskva: Voenizdat, 1972). p. 240. Transition to the defense in direct contact with the enemy.

Tank Bn
Arty Bn
MR Co (-plt)
Engr platoon
Chem recon sqd

Supply plt
Evac Grp
Tech pt

Voyenny Vestnik 9/72.

"Zashchita tankovogo batal'ona v oborone" [Protection of a tank battalion in the defense]. V. Dibrov. Protection against chemical and nuclear attack.

Tank Bn
Arty Bn
MR Company
Engr platoon

Repair &
Evac Grp
Bn rear

Voyenny Vestnik 7/72.

"Motostrelkovyy batal'on v oborone" [The motorized rifle battalion in the defense]. A. Serov. Supported by an artillery battalion and unspecified engineer assets.

MR Bn (BTR)
Tank Company

Mort plt
ATGM podr
AD platoon

Voyenny Vestnik 7/72.

"Ob ognevykh meshkakh v oborone" [On fire pockets in the defense]. G. Ashin & P. Trifonov. Defending battalion, supported by an artillery battalion, is penetrated but holds with an internal fire pocket.

MR Bn (BTR)
Tank Company

Mort plt
ATGM podr
AD platoon

Voyenny Vestnik 7/72. "Svyaz' v oborone batal'ona vtorogo

MR Bn (BTR)

Mort plt
ATGM podr

eshelona" [Communications in a second echelon battalion in the defense]. N. Shishov.

Bn rear

Communications diagram shows variant with a tank company. Communications are established with the antitank reserve, artillery, neighboring tank subunit, and surrounding units. Logistics net and specific AD forces not shown.

Voyenny Vestnik 2/72.

"Vzaimodeystviye zenitnoy batarei s podrazdeleniyami MSB v oborone" [Coordination of an air defense battery with the subunits of a motorized rifle battalion in the defense]. N. Sharapov. Battalion supported by an artillery battalion.

Mr Bn
Tank Company
AD Btry
Engr platoon
AT platoon

Mort plt

Military Herald 8/71. "The battalion in the defense". M. Tychkov. Bn moves into area & establishes defense at night. Artillery battalion in support of three motorized rifle battalions.

MR Bn
Tank Company

Mort plt
ATGM podr

Military Herald 7/71. "Tanks close the breach". V. Vinnikov. Tank battalion (company) is inserted into the breach created by an enemy nuclear strike to restore the defense. Theoretical article does not discuss artillery support or attachments.

Tank Bn

Military Herald 7/71. "Communications on the defense". N. Shishkov. Artillery battalion supports the defending battalion.

MR Bn
Tank Company
Engr platoon

Mort plt
ATGM podr

Military Herald 7/71. "Eliminating the after effects of enemy nuclear and chemical strikes". Yu. Chebotarev. Defense struck by 2-KT nuclear strike and sarin gas.

MR Bn
Arty Btry
Tank Company
Chem recon sqd

Mort plt
ATGM podr
Bn rear

Military Herald 3/71. "Defense activity". P. Vashurin. Theory

MR Bn
Tank Company

of defense article. Artillery and engineer support are essential, but recommended size of attachment/support is unspecified.

<u>Military Herald</u> 1/71. "Control of the result of enemy nuclear attack". Yu. Lysak and Ye. Belousov. Battalion, supported by regimental anti-tank reserve, hit by nuclear strike and sarin.	MR Bn (BTR) Arty Bn Tank Company	Mort Btry ATGM podr Bn rear
--	--	-----------------------------------

<u>Military Herald</u> 11/70. "Battalion combat in encirclement". G. Dmitriyev. Bn, trapped during an offensive, holds a 10-km perimeter and then breaks out.	MR Bn (BTR) 122-mm Btry Mortar Btry Tank Company Engr platoon	ATGM podr
---	---	-----------

<u>Military Herald</u> 10/69. "The role and place of armored personnel carriers. Article on the use and positioning of the BTR. Artillery and engineer support are not addressed.	MR Bn (BTR) Tank Company	Mort Btry
---	-----------------------------	-----------

<u>Military Herald</u> 9/69. "Defense of a tank company". N. Surikov.	Tank Bn Arty Bn	
---	--------------------	--

<u>Military Herald</u> 9/69. "Defense of subunits when nuclear weapons are not being employed". D. Dragunskiy. Battalion supported by an artillery battalion and the anti-tank reserve.	MR Bn Arty Btry Tank Company	Mort Btry AT podr
---	------------------------------------	----------------------

<u>Military Herald</u> 3/69. "Engineer organization of a battalion defense area" Battalion supported by the regimental anti-tank reserve and additional engineers.	MR Bn (BTR) Arty Bn 120-mm Mort Btry Tank Company Engr platoon	Mort plt 57-mm gun plt Bn rear
--	--	--------------------------------------

<u>Military Herald</u> 1/69. "Battalion defense on a water barrier". P. Kukushin. Battalion Engr platoon supported by artillery battalion. Battalion struck by nuclear strike during defense.	MR Bn Tank Company	Mort Btry AT podr
---	-----------------------	----------------------

<u>Military Herald</u> 9/68. "An artillery battalion in the	MR Bn Arty Bn	
---	------------------	--

defense of a seacoast". N. Shibayev. Detailed article on artillery fire planning. Article provides no further details on the motorized rifle battalion composition or the presence or absence of tanks, air defense or engineers.

Military Herald 8/68. "The mortar platoon in the defense." V. Shchetinin. Motorized rifle battalion supported by an artillery battalion. During the defense, the battalion is struck by a nuclear weapon.

MR Bn
Tank Company

Mort plt

Military Herald 1/67. "Strengthening the defense". A. Limno. Article on engineer support of the defense. Artillery support is not addressed. In an antitank reserve containing an antitank battery, the normal engineer mobile obstacle detachment is a platoon mounted on three APCs pulling mining trailers. In an antitank reserve containing an antitank battalion, the normal engineer mobile obstacle detachment is composed of two or more platoons. The engineer platoon can mine one or two avenues of attack on 2-3 lines and be echeloned in depth, plus prepare two sites for demolition. The engineer company can mine 2-3 avenues of attack with 2-3 lines on each.

MR Bn (BTR)
Tank Company
Engr platoon
AT gun Btry

Military Herald 11/66. "Controlling the fire of a tank company in defense". O. Vagner and P. Gromtsev. An artillery battalion is in support.

Tank Bn
MR Company

Bn rear

Military Herald 3/66. "Communications for fire control". N. Shishov. Motorized rifle company communications.

MR Bn
Arty Bn
Tank Company

Mort plt

Military Herald 1/66. "Mortar platoon in the defense". G. Salashin. Mortar platoon assigned to company support. Regimental CP is located in the second echelon company area forward of the supporting artillery battalion.

MR Bn
Tank Company

120mm Mort plt

Motostrelkovyy batal'on v sovremennom boyu [The motorized rifle battalion in modern combat]. D. F. Loza, G. I. Garbuz and I. F. Sazonov. (Voyenizdat: Moskva, 1965). Pp. 308-314. Supported by additional artillery, regimental engineers, the regimental antitank reserve, and a radiological recon patrol. Concerns restoration of the FEBA following an enemy nuclear strike (9-kt airburst, rocket delivered).

MR Bn
Arty Bn
Tank Company

Mort plt
ATGM podr
Bn rear

Military Herald 12/65. "System of fire in the defense". N. Miroshnichenko. Unspecified artillery in support.

MR Bn (BTR)
Tank Company

Mort plt
AT gun plt

Military Herald 9/65. "Engineer improvement of a company strong point". I. Krupnov. Artillery and mortar support not discussed. Ground is open hard loam. Battalion is assigned a 4.5 x 2-km defensive area and given 1.5 days to prepare. Battalion is assigned 2 BTM, S-80 tractor bulldozer, E-305 excavator and a BTU kit for a tank. Each company received a KVS-U shelter, a corrugated steel dugout and two other prefab dugouts. Company strongpoints were 1000 x 500 meters with 1,800 meters of continuous trench (plus 600 meters of connecting trench). Platoon strongpoints were 300 x 200 meters. In 1.5 days, a BTM, S-80, E-305 and BTU could install 2400 meters of trench, dig in a shelter and emplace 10

MR Bn (BTR 152) 57-mm ATgunplt
Tank Company
At least two Engr platoons

BTR-152s (5 primary and 5 alternate positions), dig in 3 dugouts, construct 4 covered shelters for 57-mm guns and dig 15 trenches for primary squad positions.

Military Herald 9/65. "Combat in an encirclement". I. Loban. each motorized rifle company establishes 1-2 false platoon positions. The battalion establishes a false company position.

MR Bn
Arty Bn
Tank Company
ATGM podraz
Engr platoon

Mort Btry
AT gun plt
Bn rear

Military Herald 12/64. "Communications in a motorized rifle battalion's defense". A. Rutskey. Wire and radio communications in a defense. Artillery may be attached or supporting. No armor is evident in this example.

MR Bn
Arty podraz

Mort plt

Military Herald 11/64. "Engineer support in defense". V. Kornev. Engineer company supports a regiment in preparing a defense. Fire support assets are not addressed.

MR Bn
Tank Company

Mort plt
AT gun plt

Military Herald 8/64. "Artillery battalion in the defense of a seacoast". M. Kudryavtsev. Detailed theoretical article from which little composition can be derived.

MR Bn
Arty Bn

Military Herald 7/64. "The second echelon counterattacks". V. Rusakov. Supported by an artillery battalion and a nuclear strike. Two counterattacks are planned.

MR Bn
Tank Company
Engr platoon

Mort plt
AT gun plt
Supply plt

Military Herald 12/63. "Defense of a tank battalion". A. Kislyakov. Artillery battery in support. Motorized rifle company is minus one platoon. Three false company strong points and two tank

Tank Bn
MR Company (-)
Engr squad

Bn rear
Bn Med pt

ambushes are established.

Military Herald 8/62. "A company holds a ridge". A. Korolchenko. Second echelon company hit by a close-to-the-surface-airburst nuclear strike. First echelon company fights an enemy attacking from three directions. Artillery support unspecified.

MR Bn Mort plt
Tank Company 57mm gun plt

Military Herald 8/62. "Communications in the battalion's defense". D. Romanets.

MR Bn Mort plt
Arty Bn AT podraz
Tank Company Bn supply point
 Bn Med pt

Military Herald 8/62. "Tank company in the defense". M. Mant. Artillery battalion supporting. Advancing battalion struck by a nuclear strike and reverts to the defense.

Tank Bn

Military Herald 7/62. "Reconnaissance by observation in a battalion". V. Mankov. Role of observation posts in the defense.

MR Bn
Arty Bn
Tank Company
Mortar Btry
Chem recon sqd

Military Herald 7/61. "A battalion in defense of a sea coast". A. Kazaryan and D. Reznik. Supported by an artillery battalion.

MR Bn 57-mm gun plt
Mortar Btry
85-mm gun Btry
Tank Company

Appendix K- Battalion Composition-Security Detachment

<u>Source</u>	<u>Bn w/Attachments</u>	<u>Organic</u>
<u>Sovetskoye Voyennnoye Obozreniye</u> 4/89. "V polose obespecheniya" [In the security zone]. Forward detachment, supported by helos, transitions to the defense during daylight.	MR Bn (BMP) Arty Bn Tank Company AD Btry Engr Company	Mort Btry ATGM plt Med Pt
<u>Voyennyy Vestnik</u> 4/84. "Storozhevoye okhraneniye" [Security outposts]. P. Timofeyev.	MR Bn (BMP) Arty Bn Tank Company	
<u>Voyennyy Vestnik</u> 9/83. "Perekhod k oborone" [Transition to the defense]. V. Konstantinov. Forward detachment goes to a night defense.	MR Bn (BMP) Arty Bn Tank Company Engr platoon	Mort Btry AGS 17 plt AD platoon
<u>Voyennyy Vestnik</u> 4/83. "V storozhevom otryade" [In a security detachment]. Yu. Korsakov. Advance guard defends in the security zone.	MR Bn (BMP) Arty Bn Tank Company Engr platoon	Mort Btry
<u>Voyennyy Vestnik</u> 4/79. "Moto-strelkovyy batal'on oboronyayetsya v polose obespecheniya" [A motorized rifle battalion defends in the security zone]. V. Luchits. Battalion defends in two positions.	MR Bn Arty Btry Tank Company AT gun Btry Engr platoon	Mort plt ATGM plt
<u>Military Herald</u> 6/69. "Security at the halt". G. Ionov. Battalion as a security detachment in the security zone.	MR Bn (BTR) Arty Bn Tank Company Engr platoon Chem recon sqd	Mort plt
<u>Military Herald</u> 9/67. "The division in defense of a security zone.". A. Tokmakov. Artillery battalion, attached to a forward detachment in the security zone, is attacked by fighter bombers and two nuclear weapons. Forward detachment is supported by one nuclear weapon. No tanks, engineers or air defense mentioned.	MR Bn Arty Bn	Mort plt

Motostrelkovyy batal'on v
sovremennom boyu [The motorized
rifle battalion in modern combat].
D. F. Loza, G. I. Garbuz and I. F.
Sazonov. (Voyenizdat: Moskva,
1965). Pp. 274-303. Supported
by at least an artilley battalion
and engineers.

MR Bn
Arty Btry
Tank Company

Appendix L- Battalion Composition -Counter Air Assault Reserve

<u>Source</u>	<u>Bn w/Attachments</u>	<u>Organic</u>
<u>Voyenny Vestnik</u> 5/86. "V protivodesantnom rezerve" [In a counter air assault reserve]. Yu. Groshev. Supported by an artillery battalion.	MR Bn (BMP) Tank Company ZSU 23-4 platoon Engr platoon	Mort Btry AD platoon AGS 17 plt
<u>Military Herald</u> 10/71. "Combatting airborne landings". F. Gavrikov. Theoretical article recommends that tanks and artillery be attached to a motorized rifle battalion for this mission. Size of attachments is unspecified.	MR Bn Arty Tanks	
<u>Military Herald</u> 6/62. "Battalion destroys enemy airborne assault". A. Tsevtkov. Pure motorized rifle battalion attacks two air assault infantry companies.	MR Bn	Mort plt AT gun plt

Appendix M - Battalion Composition-Withdrawal

<u>Source</u>	<u>Br. w/Attachments</u>	<u>Organic</u>
<u>Voyennyy Vestnik</u> 1/39. "Ot inertsi-k deystviyam" [From inertia to action]. N. Zhamaletdinov. Supported by aviation, smoke and a ten-minute artillery preparation.	MR Bn Arty Bn Tank Company Engr platoon	Mort Btry AT plt AGS17 plt AD platoon Bn rear Bn med pt
<u>Voyennyy Vestnik</u> 6/82. "Vykhod iz boya i otkhod" [Breaking contact and withdrawal]. V. Popov. Mortar battery is carried as a reinforcement. No mention is made of the organic mortar battery.	MR Bn (BMP) Arty Bn Mort Btry Tank Company	
<u>Voyennyy Vestnik</u> 2/72. "V ar'yergarde" [In the rearguard]. A. Timoshenko & V. Sayko. Article states that typical rearguard motorized rifle battalion is reinforced with an artillery battalion, tank company, engineer company, ATGM subunit, and air defense platoon. The typical rearguard tank battalion is usually reinforced with an artillery battalion, a motorized rifle company, an engineer company and other subunits.	MR Bn (BTR) Arty Bn Tank Company Engr Company (minus platoon) ZSU 23-4 platoon	Mort plt ATGM podr Bn rear
<u>Military Herald</u> 8/67. "The tank battalion in the rear guard". A. Sevast'yanov. Battalion fights a series of holding actions.	Tank Bn Arty Bn SP Arty Btry MR Company Two Engr platoons	

Appendix N -Battalion Composition -Night Combat

<u>Source</u>	<u>Bn w/Attachments</u>	<u>Organic</u>
<u>Voyenny Vestnik</u> 2/89. "Osobnosti oborony noch'yu" [Features of night defense]. A. Rybyan. Illumination and the night defense. False company position with dummy equipment established.	MR Bn (BMP) Arty Bn Tank Company 100-mm AT gun plt AD platoon Two Engr squads	120-mm Mort Btry AT plt AGS 17 plt
<u>Voyenny Vestnik</u> 3/86. "Pri zhestkom limite vremeni" [Under constrained time limits]. Introduction of second echelon battalion in the depths of the enemy defense. First echelon tank bn in sector has two MR Cos. Commitment supported by 3 MI-24 (HIND) helicopters.	Tank Bn Arty Bn MR Company Engr platoon	
<u>Voyenny Vestnik</u> 3/86. "Shtab-opora komandira" [The staff - the buttress of the commander]. The battalion, serving as a reconnaissance patrol, advances at night supported by three MI-24 (HIND) helicopters.	Tank Bn Arty Bn MR Company Engr platoon	
<u>Voyenny Vestnik</u> 2/85. "Nastupleniye tankovogo batal'ona noch'yu" [The tank battalion attacks at night]. B. Sergeev. Attack from the march.	Tank Bn Arty Bn MR Company ZSU 23-4 platoon	
<u>Voyenny Vestnik</u> 1/84. "Atakovat' predstoyalo noch'yu" [A night attack was at hand]. K. Babitskiy & V. Mel'nichuk.	MR Bn (BMP) Arty Bn Tank Company Engr platoon Chem recon sqd	Mort Btry AD platoon AGS 17 plt
<u>Voyenny Vestnik</u> 3/83. "Batal'on nastupayet noch'yu" [Battalion attacks at night]. K. Semerikov & A. Chulanov. Dismounted attack supported by ZSU 23-4 platoon and helicopters.	MR Bn (BMP) Arty Bn Tank Company Engr platoon	Mort Btry AD platoon AGS 17 plt
<u>Voyenny Vestnik</u> 11/82. "Batal'on nastupayet noch'yu"	Tank Bn Arty Bn	

[Battalion attacks at night]
V. Godin. Attack from the march.

MR Company
Mortar battery
ZSU 23-4 platoon
Engr squad
Chem recon sqd

Voyennyy Vestnik 8/82.
"Svetovoye obespecheniye nochnogo boya" [Illumination support of night combat]. N. Vinokur. Dismounted attack from positions in direct contact with a defending enemy.

MR Bn (BMP) Mort Btry
Arty Bn
Tank company

Voyennyy Vestnik 10/80.
"Esli boy budet noch'yu" [If combat is a night]. N. Vinokur. Mortar battery is listed as a reinforcement. No mention is made of the organic mortar btry.

MR Bn (BMP)
Arty Bn
Tank Company
Mort Btry
ZSU 23-4 platoon
Engr squad
Chem recon sqd

Voyennyy Vestnik 3/80.
"Bez paz - dnyem i noch'yu" [Day or night without a pause]. M. Kontseropyatov. Dismounted attack using an arty btry in support of each first echelon company while the remaining arty and mortar btrys fired illumination.

MR Bn (BMP) Mort Btry
Arty Bn
Tank Company

Voyennyy Vestnik 2/74.
"Nastupayet motostrelkovyy batal'on" [The motorized rifle advances]. A. Zheltoukhov. Arty Bn in support.

MR Bn (BTR) Mort plat
122 mm battery
Tank Company
AT platoon
Engr platoon
Chem recon sqd

Voyennyy Vestnik 8/74.
"Obespechivaya vstrechnyy boy" [Supporting a meeting battle]. I. Begishev & A. Ignatov. Advance guard at night conducts a meeting battle with engineer support in illumination, mine clearing and mine laying.

MR Bn
Arty Bn
Tank Company
AD platoon?
Engr platoon
BAT
MTU
TMM
Mine plows
BTU

Voyennyy Vestnik 2/74. "Noch' umelym ne pomekha" [Night is no

MR Bn (BTR) ATGM podr
Arty Bn Mort plt

difficulty when skill is applied]. V. Usmanov. Communications support. Subordination of mortar and AD platoon is uncertain.	Tank Company AD platoon	
<u>Voyenny Vestnik</u> 9/72. "Noch'yu s boyevoy strel'boy" [At night with field firing]. B. Shchitikov. Discusses illumination and fire control. Supported by an artillery battalion.	MR Bn Tank Company Engr platoon Chem recon sqd	Mort plt
<u>Voyenny Vestnik</u> 2/72. "Minometnaya batareya v nastuplenii noch'yu" [A mortar battery in the night offensive]. V. Dement'yev. Regimental mortar battery supports attack through defending company and helps stop counterattack. Attack supported by nuclear strike, mortar battery of adjacent regiment and regimental antitank reserve.	MR Bn Arty Bn Mortar Btry Tank Company Engr platoon Chem recon sqd	ATGM podr
<u>Voyenny Vestnik</u> 1/72. "Batal'on nastupayet noch'yu" [The battalion advances at night]. B. Nazerenko. Attack from positions in direct contact supported by artillery battalion. Additional artillery support for phase II fires. Bn immediate mission to the rear of the defending company. Advances through defending battalion. No mention of engineer support.	MR Bn (BTR) Tank Company	Mort plt ATGM podr
<u>Military Herald</u> 10/69. "Field firing at night". F. Demin and P. Kudinov. Battalion attacks to immediate mission (defending battalion rear) and subsequent mission (brigade reserve).	MR Bn (BTR) 122-mm Btry Tank Company Engr platoon Chem recon sqd	Mort plt
<u>Military Herald</u> 3/67. "Battalion attack at night". A. Remez and L. Zheleznyak. Battalion, supported by at least one artillery battalion and an airburst nuclear strike, attacks from a position in direct contact	MR Bn (BTR) SP How platoon Tank Company Engr platoon MTU Chem recon sqd	Mort plt AT plt

with a defending enemy.

Military Herald 3/67. "Engineer work in the battalion". A. Kovshov. Tank battalion road marches and occupies a second echelon position in a regimental defense during the night. Engineers assist in digging in the battalion at night. The third tank company is attached to a first echelon motorized rifle battalion. All tanks were dug into sandy-clayey soil in four hours. Two hundred AT mines were emplaced by the squad.

Tank Bn (less one company)
Two BTU
MR squad trained to emplace mines

Military Herald 7/66. "A battalion advances at night". S. Vikarchuk. Artillery battalion supporting. Battalion attacks as part of a two-battalion attack from the march.

MR Bn
Tank Company
Engr platoon

Mort plt
AT plt

Military Herald 2/64. "Actions of a battery at night". Daylight combat with enemy in a hasty defense continues into the night. Artillery battalion supports.

MR Bn
Tank podraz

Mort plt
AT gun plt

Military Herald 10/62. "Tankers attack at night". G. Petrovskiy. Nonilluminated company attack, supported by a nuclear strike and undetermined artillery.

Tank Bn
Rifle Company
Engr Squad

Military Herald 10/62. "Direction of a company in a night attack". V. Gamov and N. Lepin. Illuminated rifle company attack against a prepared defense. Supported by undetermined artillery.

MR Bn
Tank Company
120-mm Mortar Btry

57mm gun plt

Appendix O- Battalion Composition-Combat in Swampy, Forested Terrain

<u>Source</u>	<u>Bn w/Attachments</u>	<u>Organic</u>
<u>Voyenny Vestnik</u> 6/86. "Obkhodyashchiy otryad b gornotayezhnoy mestnosti" [The flanking detachment in mountain-taiga terrain]. G. Kochurov. Supported by 4 Mi-24 HIND helicopters and a company sized air assault.	MR Bn (BMP) Arty Btry Tank Company Engr platoon	Mort Btry
<u>Voyenny Vestnik</u> 9/82. "Nastupayet batal'on" [Battalion advances]. N. Savkin. Dismounted daylight attack supported by artillery.	MR Bn (BMP) Tank Company Engr platoon Chem recon sqd	Mort Btry AD platoon AGS 17 plt
<u>Voyenny Vestnik</u> 9/82. "S uchetom spetsifiki" [Attention to detail]. R. Mustafin. Signal support in a battalion.	MR Bn (BTR) Arty Bn Tank Company Engr platoon	Mort Btry AT plt AD plt Signal plt Med pt Maint grp
<u>Voyenny Vestnik</u> 7/79. "Otrazheniye kontrataki v lesu" [Repulsing a counterattack in the forest]. Yu. Ladygin. MR company defending in forest. Bn supported by artillery battalion.	MR Bn (BMP) Tank Company	Mort Btry
<u>Voyenny Vestnik</u> 4/76. "Marsh v rasputitsu" [The march during the spring thaw]. V. Krasnikov & L. Titov. March to defensive position.	Tank Bn MR Company Engr platoon MTU squad BAT squad TMM squad	Bn rear
<u>Voyenny Vestnik</u> 10/74. "Boy v lesisto-bolotistoy mestnosti" [Combat in forested swampy terrain]. V. Nesteruk. Attack against an enemy going over to the defense. Additional artillery supports the attack.	MR Bn Arty plt Tank Company 120-mm Mort Btry Engr platoon Chem recon sqd	82-mm Mort plt AT platoon
<u>Voyenny Vestnik</u> 3/74. "Tyl batal'ona v oborone v gornotayezhnoy mestnosti" [The battalion rear in the defense in	MR Bn Mortar Btry Tank retriever	ATGM podr Supply plt Medical pt Maint plt

mountain-taiga terrain]. N. Malygin. No discussion of fire support.

Tech point

Voyenny Vestnik 4/73.

"Vstrechnyy boy v gorno-tayezhnoy mestnosti" [Meeting battle in mountain-taiga terrain]. I. Svitov. Force on force exercise between two pure tank battalions.

Tank Bn

Voyenny Vestnik 2/73. "Na marshe v vesennyuyu rapnutitsu" [A march during the spring thaw]. P. Popov. Conduct of a 200-km march under difficult conditions.

MR Bn (BTR)
Arty Btry
Tank Company
Engr platoon BAT-M
BTU MTU

Military Herald 12/71. "In a covering detachment". V. Altunov. Actions of a flanking detachment in September and again during winter. Mentions that a mortar battery is frequently preferred to a howitzer battery due to transportability in this terrain.

MR Bn Mort det (plt?)
122-mm Btry AA platoon
Engr det (plt?)
Chem recon sqd

Military Herald 1/69. "Defense in mountain-taiga terrain". N. Malyugin. Company level defense.

MR Bn (BTR) Mort Btry
122-mm Btry
Tank Company

Military Herald 4/67. "In forested terrain". V. Hesteruk. March, night attack and night pursuit through difficult terrain.

MR Bn Mort plt
122-mm Btry AT plt
Tank platoon
Engr platoon
Chem recon sqd

Military Herald 4/67. "In the advance during the bad road season". Author not listed in translation. Tank battalion, serving as a flanking detachment during an advance against a delaying enemy, negotiates rough country and river obstacles.

Tank Bn
Engr platoon (4 BTRs)
Two mine removal vehicles
MTU
Two ferry boat
Truck with winch

Military Herald 11/64. "Motorized rifle battalion defends in a forest". A. Smol'skiy. Supported by an artillery battery. Terrain, not accessible everywhere for troops and tanks, can allow a battalion

MR Bn Mort plt
120-mm mort Btry Bn rear
Tank Company
Engr platoon
Chem recon sqd

to defend on a front of up to 7 kms, instead of the usual 5 km. Company frontages can be up to 3 kms with gaps between companies of 1-3 kms. The FEBA should be at least 150 meters forward of the forest edge or deeper in, but never on the forest edge. In the article, the enemy opened a 2.5-km gap with a nuclear strike. The reserve was used to plug the gap.

Military Herald 11/64. "Special features of an attack in swampy-forest terrain". B. Shubin and V. Shul'gin. Detailed description and norms for the attack.

MR Bn (BTR)
Arty or mortar podraz
Tank Company
Engr platoon
1-2 MTU
1-2 BAT
Portable bridge

Military Herald 9/64. "Operations of an antiaircraft battery on swampy forest terrain". V. Limarenko and V. Buteyev. Artillery support not mentioned.

MR Bn Arty AT plt
120-mm Mortar Btry
Tank Company
AA Btry
Engr platoon
Chem recon sqd

Military Herald 8/64. "In a wood-marshland". S. Bikarchuk. Movement, attack, pursuit and defense in a marshland. Fire support, other than by the organic gun platoon, is not mentioned.

MR Bn AT gun plt
Tank Company
Engr platoon
Chem recon sqd

Military Herald 12/62. "Competence victorious". A. Ivanov. Supported by undetermined artillery in a winter attack across a semi-frozen swamp.

Tank Bn

Appendix P-Battalion Composition-Combat in Mountains

<u>Source</u>	<u>Bn w/Attachments</u>	<u>Organic</u>
<u>Voyenny Vestnik</u> 7/88. "V obkhodyashchem otryade" [In a flanking detachment]. N. Zaitsev. Second echelon bn supported by helicopters and company-sized air assault.	MR Bn (BTR) Arty Btry Engr platoon MTU-20 BAT Chem recon sqd	Mort Btry
<u>Voyenny Vestnik</u> 2/87. "Komandir - organizator boya" [The commander - the organizer of the battle]. Attack from the march supported by helicopters.	Tank Bn Arty Bn MR Company ZSU 23-4 plt Engr plt Chem recon sqd	
<u>Voyenny Vestnik</u> 2/86. "Tanki idut na pereval [Tanks negotiate a pass]. V. Markov. Mrach and meeting engagement.	Tank Bn SP Arty Bn MR Company (BMP) ZSU 23-4 platoon Engr platoon MTU Two recovery vehicles Chem recon sqd	
<u>Voyenny Vestnik</u> 2/85. "Boy v gorakh" [Mountain combat]. A. Shul'gin. Attack from the march supported by Mi-24 HIND helicopters and aircraft.	MR Bn (BMP) Arty Bn Tank Company ZSU 23-4 platoon Engr platoon Chem recon sqd	Mort plt?
<u>Voyenny Vestnik</u> 12/83. "Razvedka i zashchita flangov" [Reconnaissance and flank protection]. Yu. Labyrin. Bn seizes and holds a pass.	MR Bn Arty Bn Engr platoon	Mort Btry
<u>Voyenny Vestnik</u> 12/83. "Organizator ognevogo porazheniya" [The organizer of fire destruction]. V. Barlit. Artillery support in mountain combat.	MR Bn Arty Bn	Mort Btry AT platoon
<u>Voyenny Vestnik</u> 5/83. "S uchetom gornogo rel'yefa" [Considering mountainous terrain]. B. P'yankov & A Bil'chan'kiy. States that this is the usual	MR Bn (BMP) Arty Bn Tank Company Flamethrower Company AD platoon	

composition for a battalion in the mountains which is operating away from the main body.

Engr platoon
Chem recon sqd
One or two MTU
Recovery vehicle

Voyenny Vestnik 5/83.
"V obkhodyashchem otryade" [In a flanking detachment]. V. Danil'chenko.

MR Bn
Arty Bn
Engr platoon

Voyenny Vestnik 1/82.
"Usilenny motostrelkovy batal'on nastupayet v gorakh" [Reinforced motorized rifle battalion advances in the mountains]. V. Popov.

MR Bn
Arty Bn
Tank Company
Engr Company
Chem recon sqd

Voyenny Vestnik 3/81.
"Boy za pereval" [Battle for the pass]. A. Drozdov. Mortar btry listed as a reinforcement, with no mention made of the organic mortar battery.

MR Bn (BTR)
Arty Bn
Tank Company
Mortar Battery
ZSU 23-4 platoon

Voyenny Vestnik 10/72.
"Marsh i vstrechnyy boy v goristoy mestnosti" [March and meeting battle in hilly terrain]. K. Andreev. Advance guard activity.

MR Bn (BTR) Mort plt
76mm mtn gn Btry ATGM podr
Tank platoon Bn rear
Mortar Btry (120-mm)
Engr platoon
MTU
Chem recon sqd

Voyenny Vestnik 4/72.
"Ucheniye minometnoy batarei s boyevoy strel'boy" [Exercise of mortar battery with field firing]. M. Pravilov. Fire support of a flanking detachment in hilly terrain.

MR Bn
Mortar Btry
Tank Company

Military Herald 9/71. "March and meeting engagement of a tank battalion in mountains". A. Zyryanov. Advance guard in the march and meeting battle.

Tank Bn Signal plt
Arty Bn Bn rear
MR platoon
Engr platoon

Military Herald 3/70. "Defense by a tank battalion in the mountains". A. Zyryanov. Battalion transitions from pursuit to defense. Enemy employs nuclear strike against the

Tank Bn
Arty Bn
Tank Company
Engr platoon

defense.

Military Herald 7/69. "A tank battalion on the offensive in the mountains". A. Zyryanov. Attack from the march utilizing air and artillery strikes. Battalion is supported by an artillery battalion.

Tank Bn
MR Company
Engr platoon

Military Herald 11/66. "Training for firing in mountains". M. Pravilov. Regimental advance guard fights in the mountains.

MR Bn
120-mm mortar Btry
76-mm mountain gun Btry
Tank Company
Engr platoon
Chem recon sqd

Military Herald 2/66. "The artillery battalion in the mountains". G. Gumenyuk. Advance guard seizes a pass for the main body.

MR Bn
Arty Bn
Tank Company
Engr platoon
Chem recon sqd
Mor plt

Military Herald 8/64. "Communications in an attack in the mountains". N. Grinberg. Besides title, article addresses communications with a flanking detachment (company-sized) and with a specialized detachment (a company-sized force designed to destroy or capture enemy nuclear weapons).

MR Bn
Arty Bn
Tank Company
Engr platoon
Mort Btry

Military Herald 11/63. "Defense in the mountains". A. Dorofeyev. Artillery battalion supports. Enemy launches a nuclear strike and attacks into a fire pocket. Excellent example of the use of artillery to hold the nose of a fire pocket.

MR Bn (BTR)
Mtn gun Btry
SP Arty plt
AA Btry
Engr platoon
Mort plt
AT gun plt
Bn Med pt

Military Herald 9/63. "Peculiarities of the attack of a company in the mountains". P. Belous. Supported by a nuclear strike. Artillery support cannot be determined.

MR Bn
Mortar Btry
Tank Company
AT gun podr

Military Herald 11/62. "Mistakes which could have been

MR Bn
122-mm Btry
Mort plt
AT gun plt

avoided". G. Ashin and P. Trifonov. Battalion probably has 1-2 more batteries of 122-mm or a 120-mm mortar battery attached or supporting. Article is about a rifle company attack from positions in direct contact.

Tank Company

Appendix Q-Battalion Composition-Combat in Polar Regions/Winter Conditions

<u>Source</u>	<u>Bn w/Attachments</u>	<u>Organic</u>
<u>Voeyenny Vestnik</u> 12/80. "Osobennosti boyevykh deystviy v zapolyar'ye" [Features of military actions in the polar region]. G.A. Andresyan.	MR Bn Arty Btry Company of swimming tanks Engr Company AD platoon	
<u>Military Herald</u> 9/66. "Engineer support of the defense in the zapolyar'ye". S. Malyugin and N. Panasov. Article deals with preparation of the defense in July. The platoon has a bulldozer, an E305 excavator, a tank dozer kit, a prime mover, four steel shelters, 1.5 tons of explosives, 1000 AT mines and 1800 AP mines. The article states that 2-2.5 times more labor is consumed in earthmoving than in normal soil.	MR Bn 122-mm How Btry Two tank platoons Engr platoon Chem recon sqd	Mort plt
<u>Military Herald</u> 7/66. "The flanking detachment in the arctic". I. Manzhurin. A flanking detachment travels over "impassable terrain" to seize an important pass for the main body. This is an amphibious tank battalion (probably PT76) which negotiates several flowing and stationary water obstacles.	Tank Bn MR Company (BTR 50P) Engr platoon Chem recon sqd Two prime movers	
<u>Military Herald</u> 10/65. "An attack by a motorized rifle battalion in the northern regions". A. Akomov. Supported by an artillery battalion. Tanks and trucks are amphibious.	MR Bn (BTR) Mortar Btry Tank Company Engr platoon Chem recon sqd	Mort plt AT gun plt
<u>Military Herald</u> 9/65. "The defense of a tank battalion in the arctic". I. Manzhurin. Forward detachment transitions to the defense and prepares positions at night.	Tank Bn Arty Btry MR Company Engr podraz Chem recon sqd	Bn rear

Military Herald 10/64. "An attack by a motorized rifle battalion in the northern regions". A. Akmov. Artillery battalion (minus one battery) supports. Attack is against a reinforced motorized infantry company. Following the attack and pursuit, the battalion is designated a forward detachment and an additional platoon of amphibious tanks and two amphibious trucks are attached.

MR Bn
Mortar Btry
Tank Company
Engr platoon
Chem recon sqd

Mort plt
AT gun plt

Military Herald 2/64. "Operations of an artillery battalion in arctic regions". P. Katasonov. Motorized rifle battalion, in conjunciton with another battalion moves to eliminate a battalion-sized airborne drop which has seized a town with an airstrip, warehouses, etc. The battalion attacks on skis.

MR Bn
Arty Bn

Appendix R-Battalion Composition-Protection Against Weapons of Mass Destruction

<u>Source</u>	<u>Bn w/Attachments</u>	<u>Organic</u>
<u>Voyennyy Vestnik</u> 8/85 "Zashchita batal'ona ot neytronnogo oruzhiya" [Protecting the battalion from neutron weapons]. N. Stefanov. Arty Bn in support.	MR Bn (BMP) Tank Company	
<u>Voyennyy Vestnik</u> 7/81. "V tselyakh sokhraneniya boyesposobnost'" [For the purpose of preserving combat potential]. A Polyak & A. Ponomarev.	MR Bn Arty Bn Tank Company ZSU 23-4 platoon	Mort btry AT platoon
<u>Voyennyy Vestnik</u> 12/77. "Pokaznoye ucheniye" [Demonstration training]. S. Kalinovsky. Attack from the march.	Tank Bn Arty Bn ZSU 23-4 plt Engr squad Chem recon sqd	
<u>Voyennyy Vestnik</u> 3/73. "Spasatel'nyye raboty v ochagakh porazheniya" [Rescue work in strike centers]. P. Zolotarev. Battalion attacking in the depths of the enemy is hit with a 20-KT nuclear strike.	MR Bn Arty Bn Tank Company AD force	
<u>Military Herald</u> 7/67. "Using organic manpower and equipment". A. Isayuk and M. Kharin. Battalion hit by a nuclear strike during an attack from the march. At least one battery of artillery in support.	MR Bn Arty Btry Tank Company Chem recon sqd	Mort plt AT plt Bn rear
<u>Military Herald</u> 7/67. "Solve this problem". Battalion, moving from the reserve to an attack from the march, is hit by a 3-kt and a 2-kt strike and a sarin strike.	MR Bn Arty Bn Tank Company Engr platoon Chem recon sqd	Mort plt AT gun plt Bn rear
<u>Military Herald</u> 6/67. "The commander estimates the radiation situation". A. Martyunov, Yu. Baulin and Ya. Belezzerov. Battalion exploits nuclear and	MR Bn Tank Company	Bn rear

artillery fire to attack the enemy from the march. The artillery support is not specified. The article explains the use of charts, tables and nomographs to solve radiation exposure problems.

Military Herald 6/67. "Under employment of nuclear weapons". B. Abramtsev. Battalion attacks defending enemy utilizing effects of an airburst nuclear weapon. The battalion column is struck by a ground burst nuclear strike during the attack and an air burst nuclear strike after rupturing the tactical defenses. No mention is made of supporting armor, artillery or engineers.

MR Bn (BTR)
Chem recon sqd

Bn rear

Military Herald 6/67. "With a chemical defense company". A. Stoklov. Motorized rifle battalion, operating as a forward detachment, is contaminated by fallout from a nearby nuclear burst. A chemical defense company decontaminates the battalion. No mention is made of armor, artillery, engineer or air defense support.

MR Bn

Military Herald 6/67. "Solve this problem". A battalion attacks to exploit an air burst nuclear strike, breaks the enemy defenses and is fighting in the depth of the enemy defense when trailing second echelon battalion is hit by a nuclear strike. The enemy reserve is preparing to counterattack.

MR Bn
Arty Bn
Tank Company
Engr platoon
Chem recon sqd

AT plt

Military Herald 9/66. "After nuclear strikes". V. Shamshurov. A second echelon battalion of a defending regiment is struck by two airburst nuclear strikes. The article deals with measures to restore combat effectiveness following a nuclear strike.

MR Bn (BTR)
Arty Bn
Tank Company
Engr platoon

Mort plt
57mm AT plt

Military Herald 5/66.

"Together with tactics". M. Mal'nov. Advance guard in the march and meeting battle is hit with sarin gas and moves through a radiated zone from a surface burst nuclear strike. No tanks are involved.

MR Bn
122mm How Btry
Mortar platoon
Engr squad
Chem recon sqd

Military Herald 2/64. "Chemical defense company operates from the march". G. Dedovikov. Motorized rifle battalion with tank company is contaminated by adjacent nuclear strike. Chemical defense company decontaminates the force. No artillery is accompanying the force.

MR Bn
Tank Company

Appendix S-Battalion Composition-Relief in Place

<u>Source</u>	<u>Bn w/Attachments</u>	<u>Organic</u>
<u>Voyenny Vestnik</u> 10/79. "Smena podrazdeleniy" [Relief of subunits]. V. Popov. Defensive position relieved. Supported by unspecified artillery.	MR Bn (BMP) Mortar Btry	

Appendix T-Battalion Composition-March

<u>Source</u>	<u>Bn w/Attachments</u>	<u>Organic</u>
<u>Voyenny Vestnik</u> 8/79. "Vmeste s tankistami" [Together with tank crews]. V. Trishin. Four part exercise consisting of a march, attack from the march, river crossing, and meeting engagement. Primarily concerned with air defense protection of the force.	Tank Bn Arty Bn ZSU 23-4 Btry	
<u>Voyenny Vestnik</u> 7/76. "Protivovozdushnaya oborona v batal'one" [Battalion air defense]. A. Bulatov & I. Polyakov. Bn in assembly area and march.	MR Bn (BTR 60-PB) Tank Company Mortar Btry ZSU 23-4 Btry (4)	AD unit AT platoon Bn rear
<u>Voyenny Vestnik</u> 5/76. "Zadacha No. 1" [Problem No. 1]. Advance guard on the march.	MR Bn Arty Bn Tank Company AD platoon Engr platoon Chem recon sqd	Mort plt ATGM podr Signal plt Supply plt
<u>Voyenny Vestnik</u> 11/75. "S uchetom real'noy obstanovki" [Taking into account realistic circumstances]. A. Demidov. Force-on-force exercise involving a march, meeting battle, transition to the defense, an attack from the march and a chemical attack.	MR Bn Arty Bn Tank Company	
<u>Voyenny Vestnik</u> 3/74. "Inzhenernoye obespecheniye marsha noch'yu" [Engineer support of a night march]. M. Smirnov.	MR Bn (BTR) Arty Bn Tank Company Engr platoon	BAT MTU BTU Recon sqd Two sqds
<u>Voyenny Vestnik</u> 10/72. "Marsh i vstrechnyy boy v goristoy mestnosti" [The march & meeting battle on hilly terrain]. K. Andreev. Advance	MR Bn (BTR) 76-mm Mtn gun Btry 120-mm Mort Btry Tank platoon Engr platoon	Mort plt ATGM podr Signal plt Spt podr

guard actions.

One MTU
Chem recon sqd

Military Herald 4/71.
"Organization of communications for troop management". V. Shadrin. Article on march route communications. No mention is made of artillery, AD or engineer forces.

MR Bn (BTR)
Tank Company

Mort plt
ATGM podr
Supply plt
Commo plt

Military Herald 11/68.
"Tactical and marching drill lessons with a battalion". V. Vinnikov. March and attack from the march utilizing a nuclear strike. Battalion immediate mission is to the depth of the defending battalion.

MR Bn
Mortar Btry
Tank Company
Antitank Arty Btry

Mort plt
Bn rear

Military Herald 10/68.
"Disposition of troops for a halt and outpost security". I. Glebov. Concerns security of an assembly area during a halt.

MR Bn (BTR)
Arty Bn
Tank Company
Engr platoon
Chem recon sqd

Mort plt

Military Herald 3/66. "How to form a march column". V. Savkin. Placement of elements in a march column.

MR Bn (BTR)
Arty Bn
Tank Company
Engr platoon
AA platoon
Chem recon sqd

Bn rear

Military Herald 3/64. "A march by a field artillery battalion". G. Mozgovoy. Artillery battalion marches as part of an advance guard.

MR Bn
Arty Bn
Two tank Companies

Military Herald 3/64. "Control of an antiaircraft battery on the march and in a meeting engagement". D. Miloserdov.

MR Bn
Two Arty Btrys
Two Tank Companies

Mort plt
85-mm Btry
Bn rear

Military Herald 6/63. "Warning small units on the march and in battle". V. Burkovskiy. Establishment of a special radio net to warn the elements of a battalion of approaching enemy aircraft.

MR Bn
Arty Btry
Tank Company

Military Herald 5/63. "Engineer support of the march of a tank battalion". F. Akulishnin.

Tank Bn
Arty Bn
Rifle platoon
Engr platoon

Bn rear

Military Herald 5/63. "A tank battalion exercise". A. Serov. Exercise lasting from 2000 21 to 0600 23 January testing the alert, march, meeting battle, pursuit, and defense.

Tank Bn
Arty Btry
Engr platoon
Chem recon sqd

Military Herald 5/63. "Anti-aircraft defense of the motorized rifle battalion on the march". A. Luginin. Air defense of a regimental advance guard.

MR Bn
120-mm mortar Btry
Tank Company
AA Btry
Engr platoon
Chem recon sqd

Supply plt

Appendix U - Battalion Composition - Combat in the Desert

<u>Source</u>	<u>Bn w/Attachments</u>	<u>Organic</u>
<u>Voyennyy Vestnik</u> 9/77. "Sapery deystvuyut s tankamy v pustyne" [Combat engineers serve with tanks in the desert]. V. Semenov. Attack against a well prepared defense. No mention is made of fire support.	Tank Bn MR Company Engr platoon IMR BAT	
<u>Voyennyy Vestnik</u> 9/76. "Vstrechnyy boy v pustyne" [Meeting battle in the desert]. A. Grubyy. Advance guard actions.	MR Bn (BTR) Arty Bn Tank Company	Mort plt ?
<u>Voyennyy Vestnik</u> 8/75. "Nastupayut tankisty" [The tankers advance]. N. Madudov. Attack from the march supported by unspecified additional artillery and three nuclear strikes.	Tank Bn 122 howitzer Btry ZSU 23-4 platoon Engr squad Chem recon sqd	
<u>Voyennyy Vestnik</u> 10/74. "Zashchita podrazdeleniy v gorno-pustynnoy mestnosti" [Defense of subunits in a hilly desert]. Yu. Nuzhdin & A. Bogatov. Defense of a march from chemical and nuclear attack.	MR Bn (BTR) Arty Bn Engr platoon Chem recon sqd	
<u>Military Herald</u> 3/68. "An exercise with a mortar battery involving live firing". M. Pravilov. 120-mm mortar battery attached to MR Bn participates in a march and meeting battle in arid mountainous terrain. Column attacked by gas, two nuclear weapons and fighter bombers.	MR Bn (BTR) 122-mm Arty Bn Mortar Btry Tank Company AT gun platoon Engr platoon Chem recon sqd	Mort plt
<u>Military Herald</u> 9/63. "Artillery battalion desert operations". N. Korf and I Gapon. Artillery battalion supports an attack from the march against prepared defenses. Exact composition difficult to determine.	MR Bn Tank Company	

Appendix V-Battalion Composition-Amphibious Landing

<u>Source</u>	<u>Bn w/Attachments</u>	<u>Organic</u>
<u>Voyenny Vestnik</u> 5/74 "Svyaz' v morskoy desante" [Communications in an amphibious landing]. D. Moskalenko. Linkup with air assault landing.	MR Bn (BTR) Arty Bn Tank Co (swimming) Mortar Btry AD Btry Chem recon sqd	ATGM podr Repair & Evac Gp

Appendix W - Battalion Composition - Air Assault

<u>Source</u>	<u>Bn w/Attachments</u>	<u>Organic</u>
<p><u>Voyenny Vestnik</u> 7/73. "Batal'on v takticheskom vozdushnom desante" [Battalion in a tactical air assault]. M. Tychkov. Battalion seizes a bridge and the far bank of a river supported by a nuclear strike, fighter bombers and, when it has advanced within range, an artillery battalion.</p>	<p>MR Bn Engr platoon Chem recon sqd</p>	<p>Mort plt ATGM podr Gun btry? AD plt?</p>
<p><u>Military Herald</u> 3/71. "The battalion of an air assault force. K. Urtayev. From the translation, the subordination of the battery cannot be proven. I beleive that it is the organic 76-mm cannon battery of the motorized rifle battalion.</p>	<p>MR Bn</p>	<p>Mort plt Arty Btry</p>
<p><u>Military Herald</u> 6/68. "A battalion in an airborne landing". V. Chernyak. Assault supported by a nuclear strike.</p>	<p>MR Bn 122-mm How Btry Engr platoon Chem recon sqd</p>	<p>Mort plt AT podr</p>
<p><u>Military Herald</u> 4/68. "Communications in an air assault". N. Shiskov. Control group consists of two APCs and a truck. 1st APC-Cdr, Cdr attached mortar battery. 2d APC-Chief of staff. Truck- Arty LNO. Assault is within supporting artillery range.</p>	<p>MR Bn Mortar Btry AT platoon Engr squad Chem recon sqd</p>	<p>Mort plt AT plt Signal plt</p>

Appendix X - Battalion Composition - Combat in Built-up Areas

<u>Sources</u>	<u>Bn w/attachments</u>	<u>Organic</u>
<u>Military Herald</u> 9/71. "Artillery combat in a city". S. Dudarev. Actions of an artillery battalion as part of an assault detachment.	MR Bn Arty Bn AT Arty Btry ATGM podr Engr platoon Chem recon sqd	
<u>Military Herald</u> 6/70. "Battalion advances in a populated point". A. Zyryanov. Detailed article on actions of an assault detachment.	MR Bn Arty Bn Tank Company Engr platoon	Mort Btry AT gun plt
<u>Military Herald</u> 6/70. "Mortar battery operations in a city". V. Odnoletkov and M. Pankov. Mortar support to an assault detachment. No other support or attachments specified.	MR Bn Mortar Btry	
<u>Military Herald</u> 3/70. "Combat in a large city". A. Dorofeyev. Article deals with the formation of an assault group within an assault detachment in the offense. The detachment first echelon can take a block; two blocks require commital of the second echelon.	MR Bn Arty Bn Tank Company Engr platoon Chem recon sqd	Mort plt AT podr
<u>Military Herald</u> 8/69. "The attack in a city". L. Kuznetsov. Theoretical article with no examples.	MR Bn Guns of various calibers Tanks Engineer podr Chemical troops podr.	

Appendix Y-Batalion Composition-Combat under Winter Conditions

<u>Source</u>	<u>Bn w/Attachments</u>	<u>Organic</u>
<u>Military Herald</u> 2/71. "Winter attack". V. Sabalyauskas. Winter, not necessairily a polar article. Attack by personnel on skis towed by tanks during <u>Dvina</u> exercises.	MR Bn Arty Bn Two Tank Companies Engrs	Mort plt ATGM podr
<u>Military Herald</u> 2/71. "Battalion defense in winter". V. Zhukov. Artillery battalion in support of a battalion defending a river line during the <u>Dvina</u> exercises.	MR Bn Arty Btry Tank Company Engrs	Mort plt ATGM podr
<u>Military Herald</u> 5/66. "The experience of combat introduced into training". V. Nesteruk. Use of ski-mounted enveloping detachments in forested, snow covered terrain. Use of howitzers as direct fire tank killers.	MR Bn Arty Btry Tank Company	AT plt
<u>Military Herald</u> 2/66. "Winter in a contaminated area". A. Shalyapin. Attack from the march through an irradiated zone.	MR Bn SP arty Btry Tank Company Engr platoon Tank dozer	Bn rear
<u>Military Herald</u> 12/63. "Winter operations of a motorized rifle M. Sotskov. Advance guard fords a river and attacks the enemy on the flank.	MR Bn 122-mm Btry Engr platoon Chem recon sqd	Mort plt AT gun plt Bn rear
<u>Military Herald</u> 11/63. "Easily controlled". L. Kozlovskiy and Ya. Davydov. Winter meeting battle supported by a nuclear strike. During the pursuit, the battalion mounts skis to continue the attack.	MR Bn How Btry 120-mm Mortar Btry Tank Company	Mort plt 57-mm gun plt