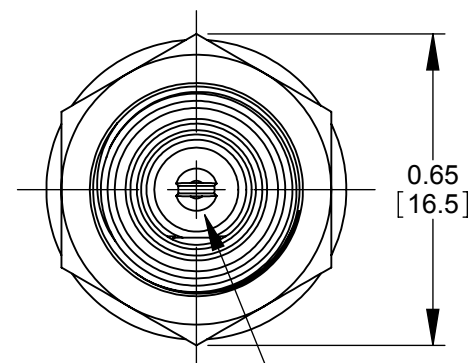
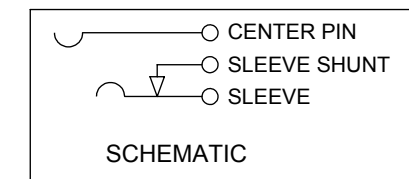
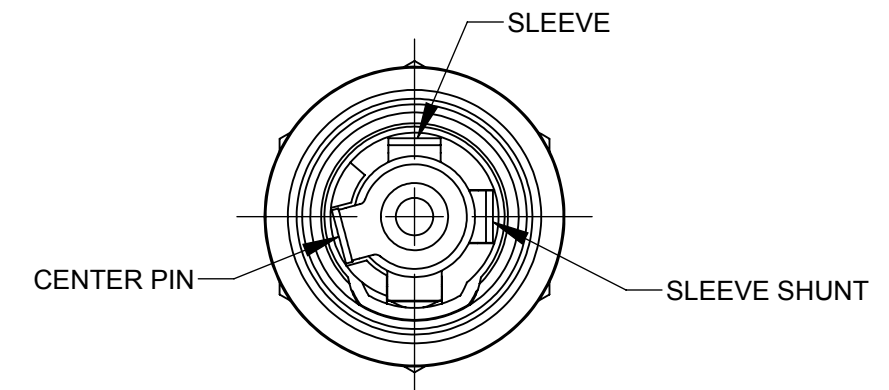
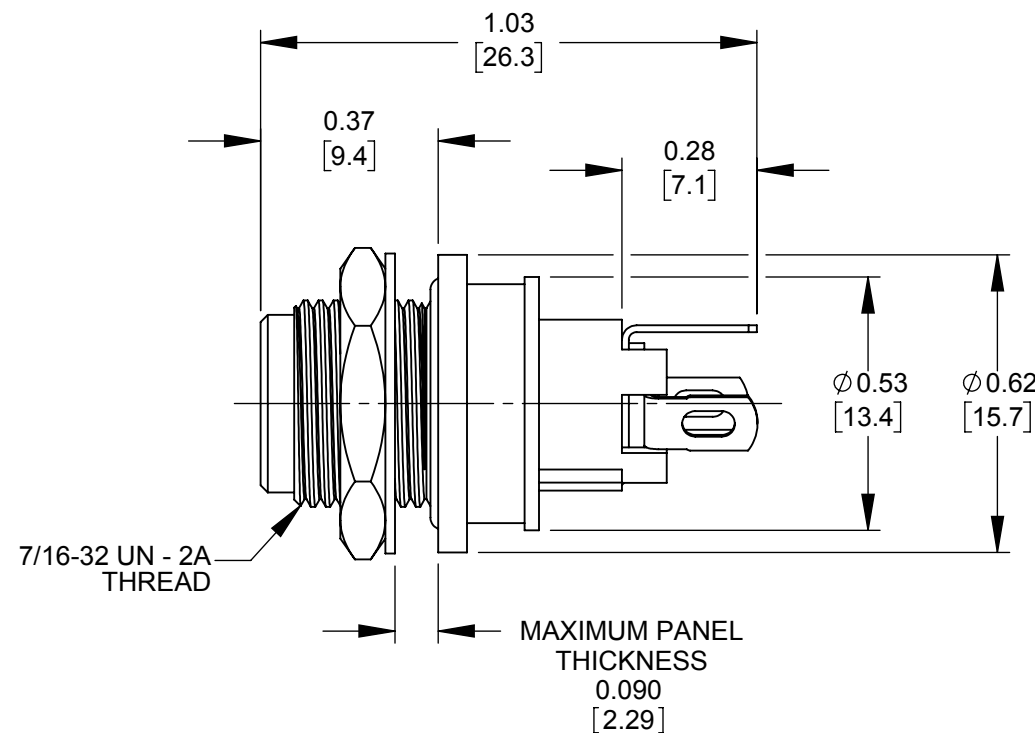


RECOMMENDED PANEL MTG HOLE

PART NUMBER	CENTER PIN Ø (JACK SIZE)	MATING POWER PLUG
L712ASH	0.10 (2.5 mm)	761KSH12, 761KSH15, 761KSH17
L722ASH	0.08 (2.0 mm)	S761KS12, S761KSH15, S761KSH17



CENTER PIN/JACK SIZE SEE TABLE



**PRELIMINARY**

**CUSTOMER DRAWING**

NOTES:

- DIMENSIONS SHOWN FOR REFERENCE ONLY.
- HEX NUT, FLAT WASHER, AND PANEL O-RING SUPPLIED UNASSEMBLED
- MATERIAL:  
HOUSINGS, HEX NUT - COPPER ALLOY, NICKEL PLATED  
INSULATOR HOUSING - THERMOPLASTIC  
O-RINGS - THERMOPLASTIC RUBBER, LUBRICATED WITH SYNTHETIC GREASE  
TERMINAL INSULATORS - PHENOLIC  
FLAT WASHER - STEEL, NICKEL PLATED  
PIN, SPRING, TERMINALS - COPPER ALLOY, SILVER PLATED
- THIS PRODUCT IS RoHS COMPLIANT

REV	ECO NUMBER	DATE	BY	APVD
0A	PDR 15004	6/27/16	PNK	SRC
REVISIONS				

UNLESS OTHERWISE SPECIFIED

- ALL DIMENSIONS IN INCHES  
- TWO PLACE DECIMALS ±0.02  
- THREE PLACE DECIMALS ±0.005

DO NOT SCALE DRAWING

THIS DRAWING DESCRIBES A DESIGN CONSIDERED PROPRIETARY IN NATURE, DEVELOPED AND MANUFACTURED BY SWITCHCRAFT INC. AND IS RELEASED ON A CONFIDENTIAL BASIS FOR IDENTIFICATION PURPOSES ONLY.									
SIZE	WIDTH	MULT	LBS/M	TEMPER					
FINISH					MATERIAL				
SPEC No.					SPEC No.				
FIRST USED ON				SCALE 2.5:1					
DATE DRAWN	BY	CHKD	APVD	Switchcraft®					
6/27/16	PNK	PNK	SRC	SHEET 1 OF 1					
			6/27/16				6/27/16		
NAME				PART No.			REV		
SEALED HT POWER JACKS SOLDER LUG, RoHS				L712ASH, L722ASH			0A		

# Mouser Electronics

Authorized Distributor

Click to View Pricing, Inventory, Delivery & Lifecycle Information:

[Switchcraft:](#)

[L722ASH](#) [L712ASH](#)