

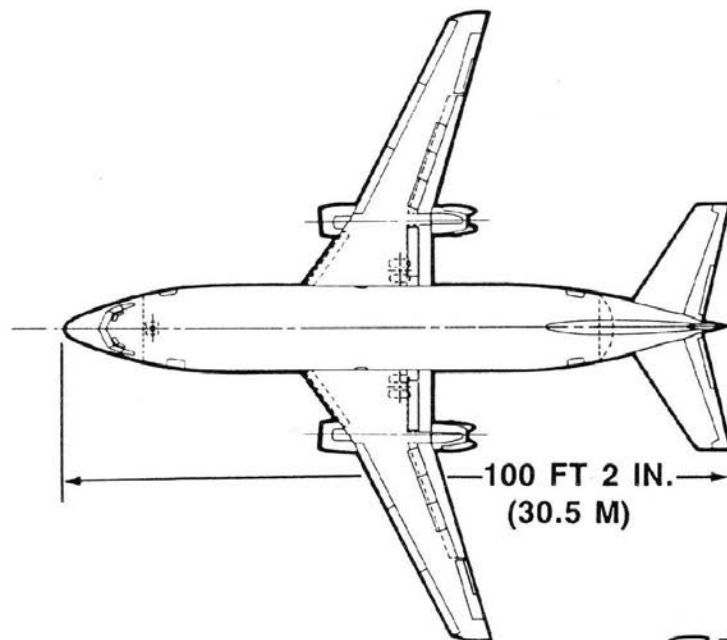
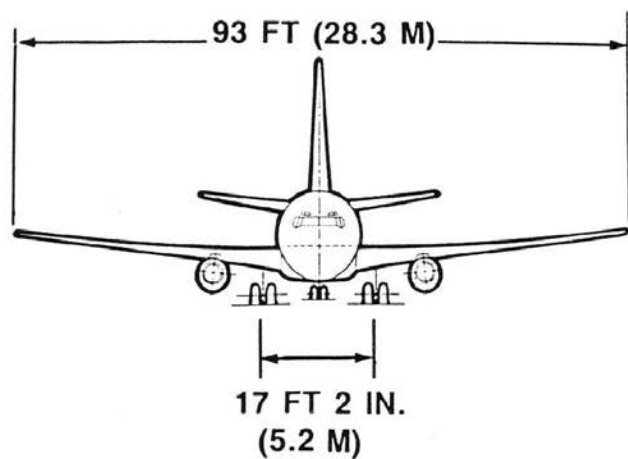
737-200

StartupBoeing



737-200 General Arrangement

StartupBoeing



737-200C

StartupBoeing



737-200 Airstairs

StartupBoeing

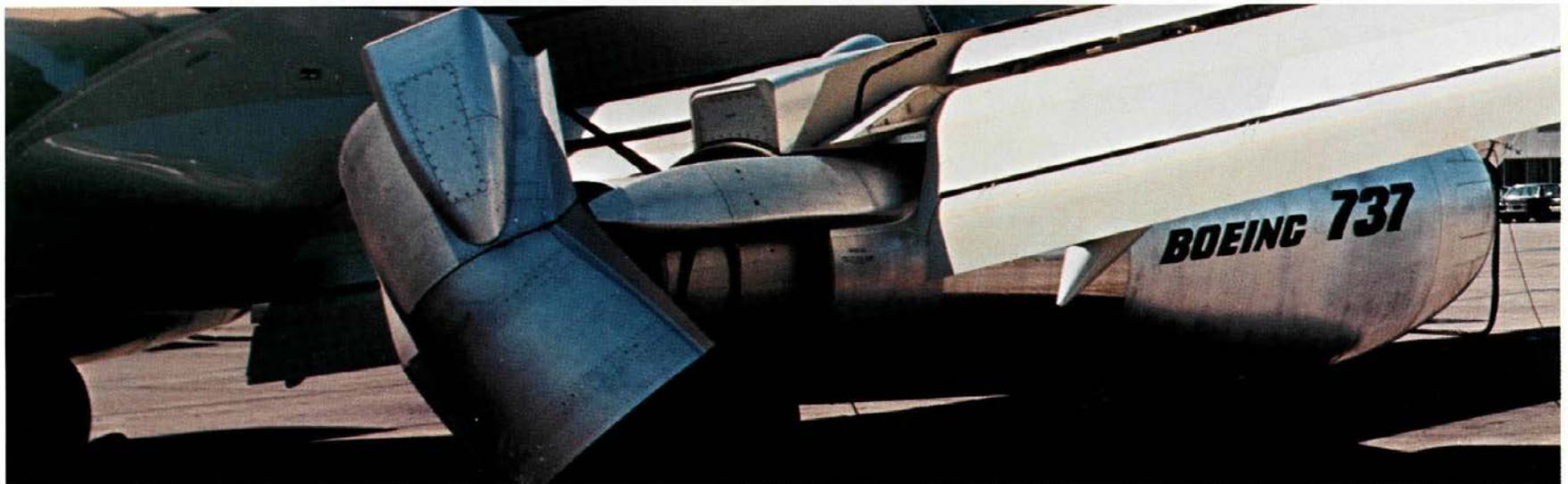
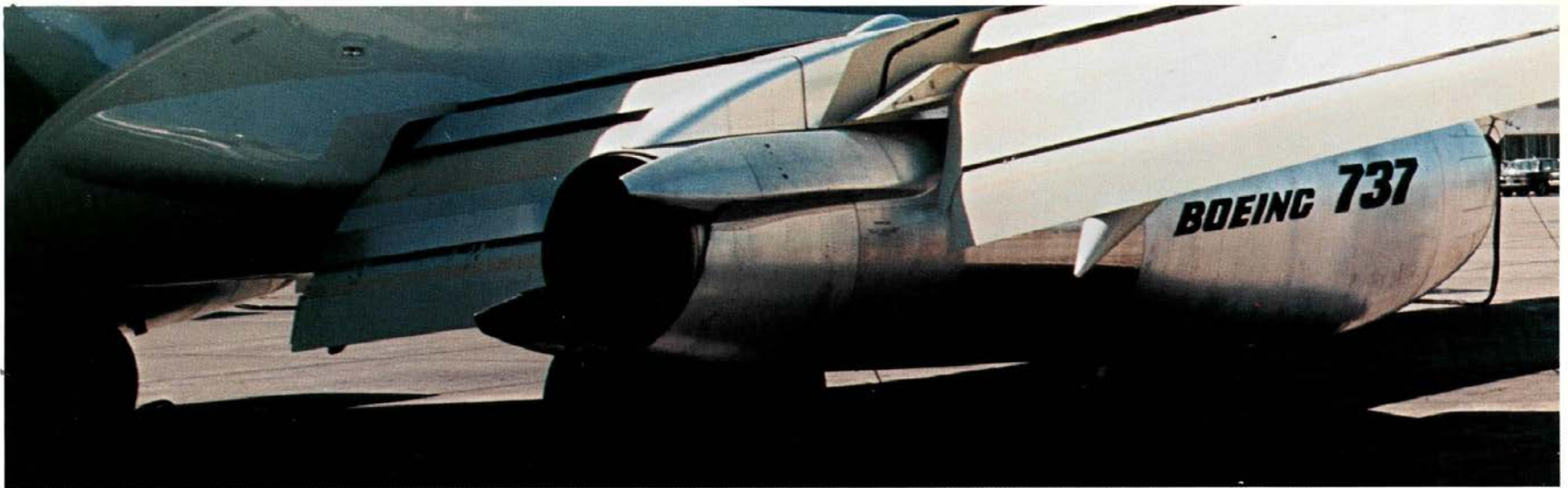
Forward

Aft



737-200 Thrust Reverser

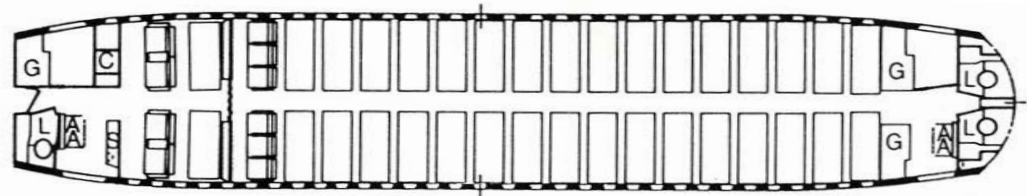
StartupBoeing



737-200 Interior Arrangements

StartupBoeing

**38/32-INCH
SEAT PITCH**

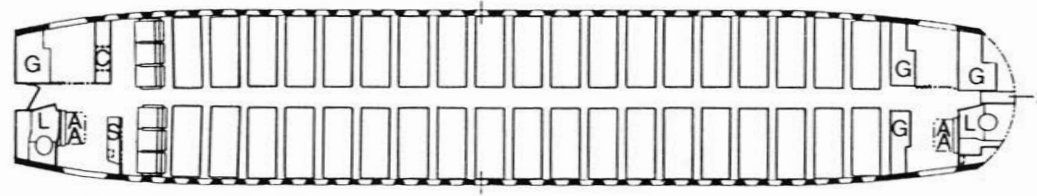


8 FIRST CLASS

102 TOURIST

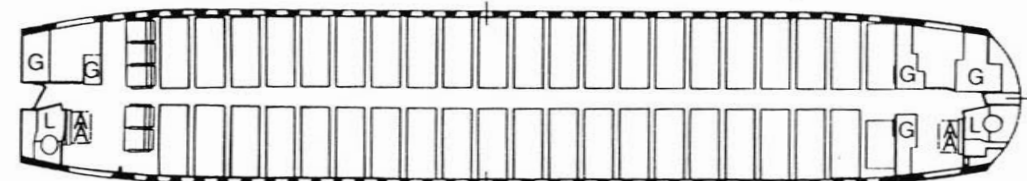
110 PASSENGERS

**32-INCH
SEAT PITCH**



120 TOURIST PASSENGERS

**30-INCH
SEAT PITCH**



130 TOURIST PASSENGERS

A = ATTENDANT
C = CLOSET
G = GALLEY
L = LAVATORY
S = STOWAGE

737-200 Interior

StartupBoeing

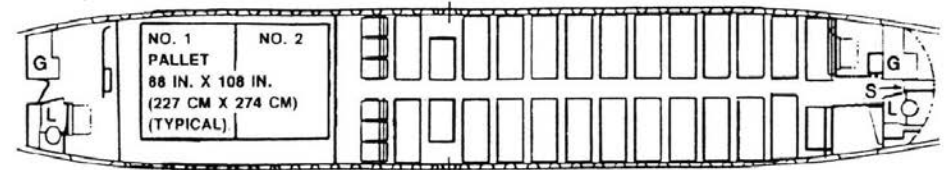


737-200 Combi Interior Arrangements

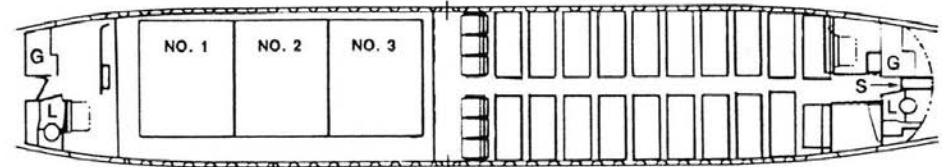
StartupBoeing

CONFIGURATIONS TO MATCH PASSENGER AND CARGO REQUIREMENTS OF MANY ROUTES

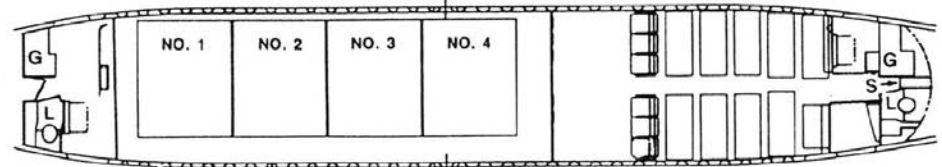
**2 PALLETS/81 PASSENGERS,
SIX ABREAST AT 32-IN. PITCH (TYPICAL)
CARGO VOLUME 1580.0 FT³ (44.7 M³)**



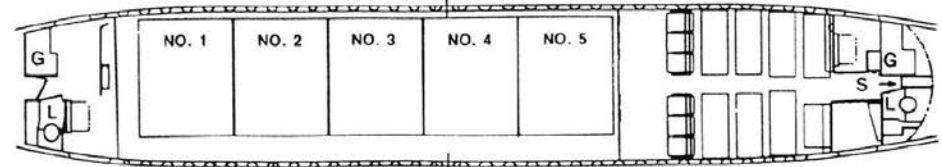
**3 PALLETS/65 PASSENGERS
CARGO VOLUME 1932.5 FT³ (54.7 M³)**



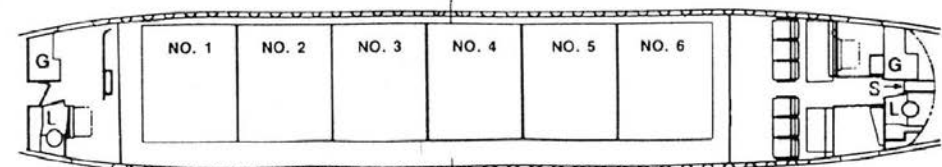
**4 PALLETS/35 PASSENGERS
CARGO VOLUME 2285.0 FT³ (64.7 M³)**



**5 PALLETS/29 PASSENGERS
CARGO VOLUME 2637.5 FT³ (74.6 M³)**



**6 PALLETS/11 PASSENGERS
CARGO VOLUME 2990.0 FT³ (84.6 M³)**



737-200 Quick Change Interior

StartupBoeing

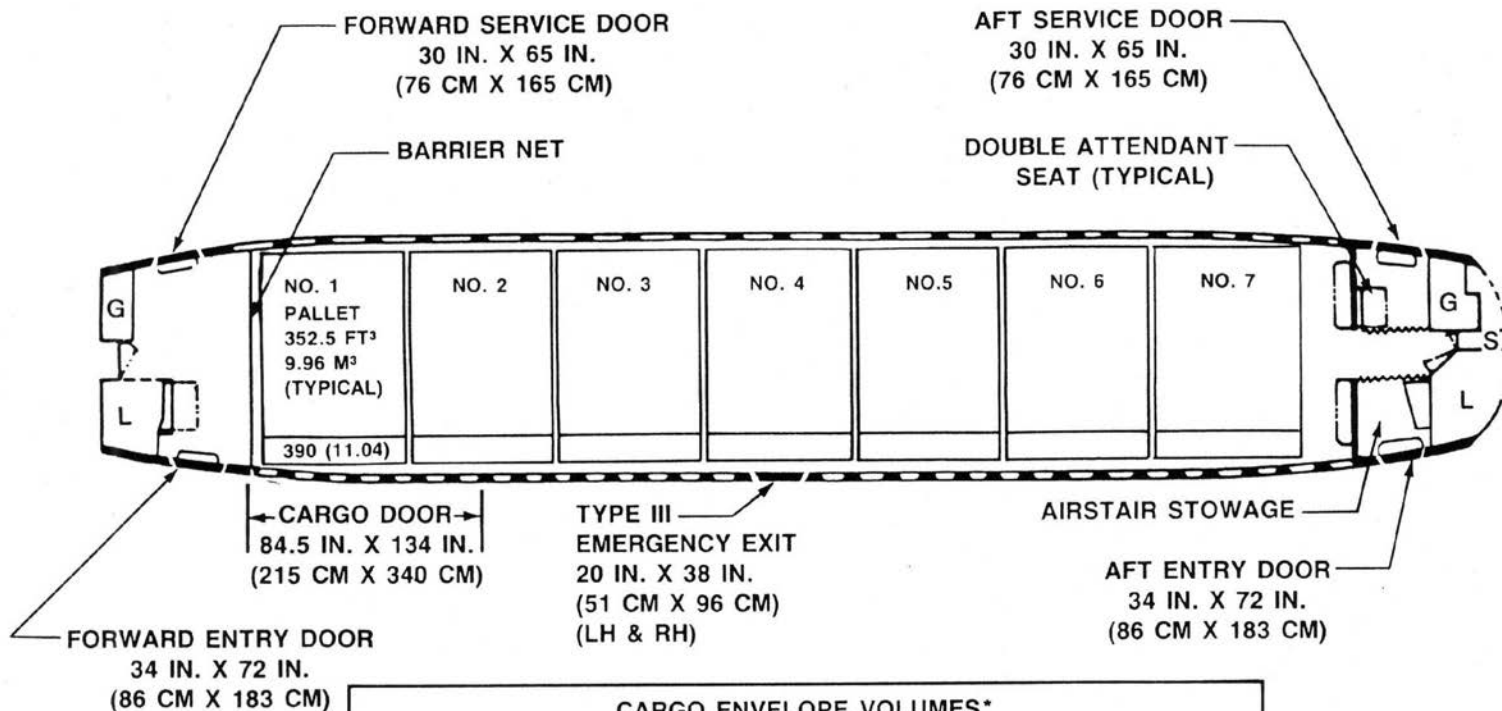


The Quick Change Cargo System is used where fast conversion times are required.

An experienced crew (5 men) can convert from passenger to cargo interior in about 11 minutes.

737-200C Cargo Arrangement

StartupBoeing



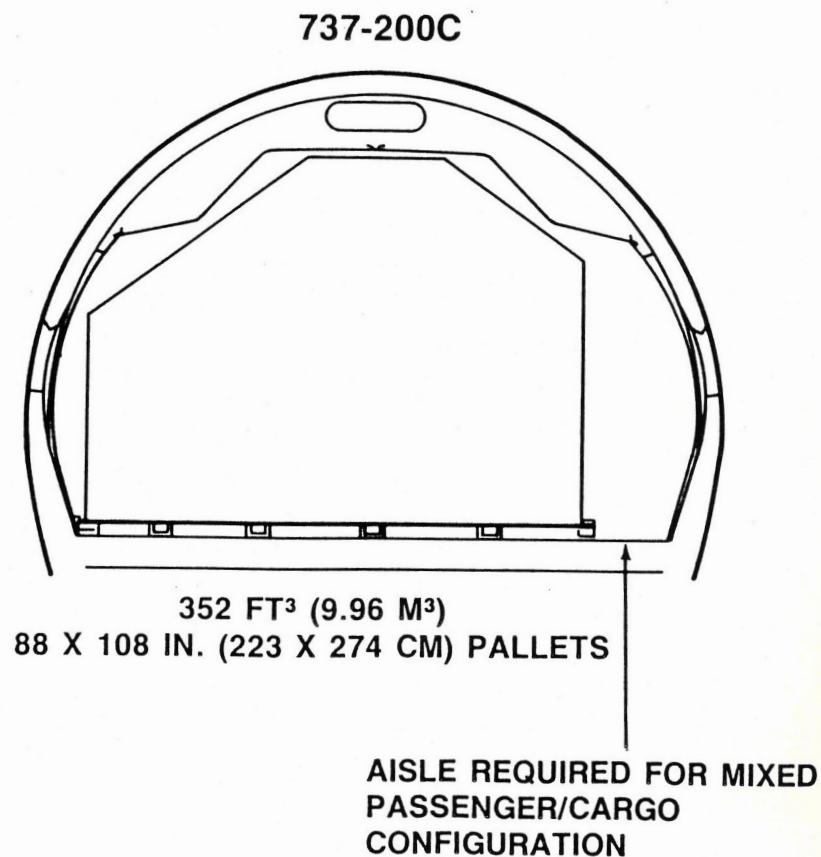
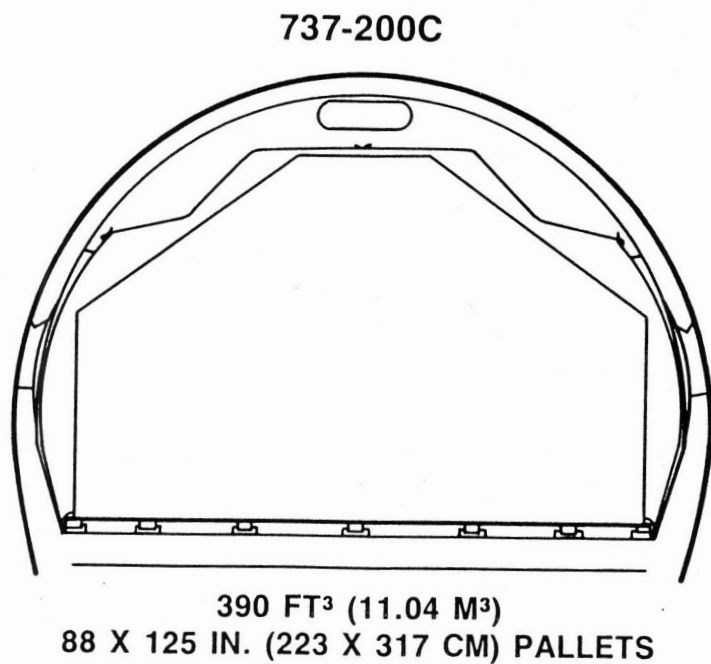
CARGO ENVELOPE VOLUMES*		
PALLET SIZE	88 IN. X 108 IN. (224 CM X 274 CM)	88 IN. X 125 IN. (224 CM X 317 CM)
PALLET 1-7	2468 FT ³ (69.8 M ³)	2730 FT ³ (77.2 M ³)
LOWER DECK	875 FT ³ (24.8 M ³)	875 FT ³ (24.8 M ³)
TOTAL	3343 FT ³ (94.6 M ³)	3605 FT ³ (102.0 M ³)

G = GALLEY
L = LAVATORY
S = STOWAGE

***FOR MAXIMUM CARGO USAGE, ALL 737-200Cs
USE THE WIDE-BODY-LOOK INTERIOR**

737-200C Cross Section

StartupBoeing



737-200 Characteristics

StartupBoeing

	BASIC AIRPLANE		AVAILABLE	
	ENGLISH	METRIC	ENGLISH	METRIC
MAXIMUM DESIGN WEIGHTS				
TAXI	116 000 LB	52 600 KG	TO 128 600 LB	TO 58 300 KG
TAKEOFF	115 500 LB	52 400 KG	TO 128 100 LB	TO 58 100 KG
LANDING	103 000 LB	46 700 KG	105/107 000 LB	47 600/48 500 KG
ZERO-FUEL				
PASSENGER	95 000 LB	43 100 KG		
CONVERTIBLE	95 000 LB	43 100 KG	96 500/99 000 LB	43 770/44 900 KG
OPERATING EMPTY WEIGHT	60 970 LB*	27 650 KG*	62 660 LB*	28 430 KG*
FUEL CAPACITY	5160 U.S. GAL.	19 530 L	5550 U.S. GAL. 5970 U.S. GAL.*	21 010 L 22 600 L*
LOWER HOLD VOLUME	875 FT ³	24.8 M ³	740/640 FT ³	20.9/18.1 M ³
ENGINES	JT8D-15A		JT8D-17A	
PASSENGERS	120 AT 32-INCH PITCH*		130 AT 30-INCH PITCH 110 AT 38/32-INCH PITCH	

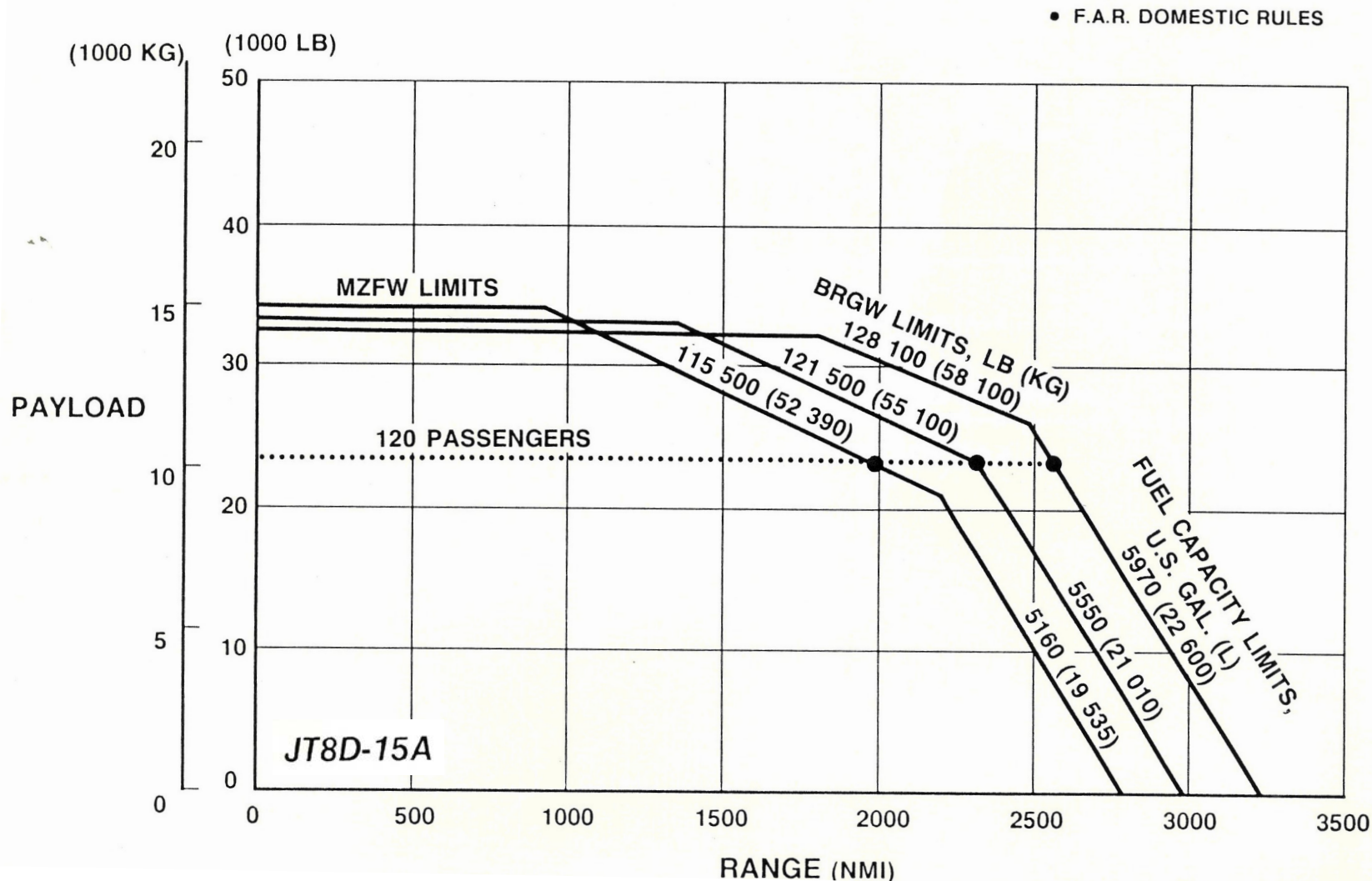
737-200 Engine Characteristics

StartupBoeing

	BASIC	OPTION	ALSO AVAILABLE	
	JT8D-15A	JT8D-17A	JT8D-9A	JT8D-17AR
TAKEOFF, SEA LEVEL STATIC THRUST	15 500 LB 7030 KG	16 000 LB 7260 KG	14 500 LB 6580 KG	16 400 LB 7440 KG
RESERVE THRUST	-	-	-	17 400 LB 7890 KG
FLAT RATING BYPASS RATIO	84°F/29°C 1.08	84°F/29°C 1.05	84°F/29°C 1.04	77°F/25°C 1.00/.96
MAX CRUISE, 30 000 FT, .80M, ISA NET THRUST	4970 LB 2250 KG	5120 LB 2320 KG	4520 LB 2050 KG	5120 LB 2320 KG
SPECIFIC FUEL CONSUMPTION, LB/HR/LB	.786	.798	.802	.798
ENGINE WEIGHT	3474 LB 1576 KG	3475 LB 1576 KG	3377 LB 1532 KG	3500 LB 1588 KG

737-200 Payload-Range

StartupBoeing



737-200 Flight Deck

StartupBoeing

