

Beckett

OEM SPECIFICATIONS GUIDE

RESIDENTIAL OIL BURNERS

The Wholesaler's
and Service Technician's
guide to OEM Residential
Oil Burner Specifications



Learn more at beckettcorp.com

Beckett

The Wholesaler's and Service Technician's guide to OEM Residential Oil Burner Specifications

Since 1984, RW Beckett has made available this quick-reference guide of our burner specifications as used in OEM applications. Over the years, this guide has proven a valuable tool for distributors, installers and service technicians who support our industry.

For the first time, we have amended this guide to remove old and obsolete specs. This and some format changes have been done to make the information more complete and help make finding the information quick and easy.

Note: The appliance specifications that are no longer included in this publication can still be accessed through our website. Please visit: www.beckettcorp.com/support/residential-oil-burner-settings/

This guide is not intended to supersede the appliance manufacturer's published specifications. Always follow the appliance manufacturer's installation and adjustment instructions and recommendations.

⚠ WARNING

Professional Service Required



Incorrect installation, adjustment, and use of this burner could result in severe personal injury, death, or substantial property damage from fire, carbon monoxide poisoning, soot, or explosion.

Please read and understand the manual supplied with this equipment. This equipment must be installed, adjusted, and put into operation only by qualified individual or service agency that is:

- Licensed or certified to install and provide technical service to oil heating system.
- Experienced with all applicable codes, standards, and ordinances.
- Responsible for the correct installation and commission of this equipment.
- Skilled in the adjustment of oil burners using combustion test instruments.

The installation must strictly comply with all applicable codes, authorities having jurisdiction and the latest revision of the National Fire Protection Association Standard for the installation of Oil-Burning Equipment, NFPA 31 (or CSA-B139 and CSA-B140 in Canada). Regulation by these authorities take precedence over the general instructions provided in this Specification Guide.

Technical Assistance from Beckett

Please visit us at: www.beckettcorp.com/support

You will have access to a wealth of technical information: Specification Guides, Installation and Operating Guides, Training Videos, PDF downloads, and more! If you need further assistance, please contact:

The Beckett Service Hotline

800-645-2876 (Available Monday - Friday 8:00 AM to 5:00 PM Eastern Time)

Please be prepared to provide current burner condition, service history, nozzle, pump pressure and head settings, fuel supply, and most recent combustion test results available.

R.W. Beckett Corporation
PO Box 1289 – Elyria OH 44036

Instructions for Using the Beckett OEM Specifications Guide

Hazard Definitions

DANGER

Indicates a hazardous situation that, if not avoided, will result in death or serious injury.

WARNING

Indicates a hazardous situation that, if not avoided, could result in death or serious injury.

CAUTION

Indicates a hazardous situation that, if not avoided, could result in minor or moderate injury.

NOTICE

Used to address practices not related to physical injury.

NOTICE

Fuels and mis-fueling: Beckett burner set up specifications are performed with fuels meeting ASTM D396 for #1 and #2 heating oil or other fuels as labelled. ASTM D396 for #1 and #2 heating oil allows a maximum of 5% biodiesel blends (B5). Use of fuels not meeting this specification may require additional adjustments and/or burner modification. Please refer to burner label to avoid mis-fueling.

WARNING

Potential For Fire, Smoke and Asphyxiation Hazards

Incorrect installation, adjustment, or misuse of this burner could result in death, severe personal injury, or substantial property damage.

To the Homeowner or Equipment Owner: This manual is provided to service professionals for use in set-up and adjustment of our products. Contact a professional, qualified service agency for installation, start-up, or service work.

To the Professional, Qualified Installer or Service Agency: Please read and carefully follow all instructions provided in this manual before installing, starting, or servicing this burner or heating system. The Installation must be made in accordance with all state and local codes having jurisdiction.

WARNING

Do NOT Alter Original Burner Design

Tampering with or altering the burner design could seriously impair performance, resulting in loss of static pressure, damage to the system components, reduced air volume, heavy smoke, flame impingement, appliance sooting, hot gas puff-back, and asphyxiation or fire hazard.

Maintain the design to its original configuration. Only use parts specified for AF or AFG Burners. Do NOT remove the air guide from the AFG chassis. Do NOT use 'M' Series air tube combinations on AF Burners. Never try to convert an AF to an AFG or vice versa, and any design alteration will:

- Void UL Listing
- Void manufacturer's warranties
- Seriously impact burner performance
- Greatly increase your liability risk

Instructions for Using the Beckett OEM Specifications Guide - Continued

For your convenience, the guide is arranged in alphabetical order by manufacturer.

1. Locate Manufacturer in the Index immediately following this section. Please note: this book has been revised to include most common appliances in use today. Some older appliances may not be listed in this printed version. If you cannot find the appliance you are looking for, please refer to our website for further information: www.beckettcorp.com/support/residential-oil-burner-settings/
2. Find the appliance by Model Number in the appropriate manufacturer's section.
3. Columns read Left (Col A) to Right (Col M).

Manufacturer Adams \ Dornback

Model	Burner	Nozzle	Alt. Nozzle	Pump (PSIG)	Air Settings	Baffle	Head	Static Plate / Stop Screw	Air Tube Combination	Depth	Welded Insertion	See note
A	B	C	D	E	F	G	H	I	J	K	L	M

<p>A. Manufacturer's Model Number B. Beckett Burner Model C. Nozzle Required D. Alternate Nozzle – if specified E. Fuel Pump Pressure Setting F. Burner Air Settings</p> <p><i>Note: These are to be used for initial set-up. Burner must have final adjustment performed with proper combustion test equipment. *See Item 4 below.</i></p> <p>G. Low Firing Rate Baffle – if specified</p>	<p>H. Burner Head Required I. Static Plate (AF/AFG) or Stop Screw (AFII) Required J. Standard Air Tube Combination (ATC) K. Insertion Depth L. Welded Insertion – if available</p> <p><i>Note: This is the OEM specific ATC for the appliance; Replacement part contains the correct tube with welded flange, nozzle line / electrode assembly, proper static plate (if needed), and proper head assembly.</i></p> <p>M. Service Notes – Found on pages 8 & 9 of this guide</p>
--	---

4. *F - Approximate Air Settings, when given: Follow these for steps to properly adjust the burner.

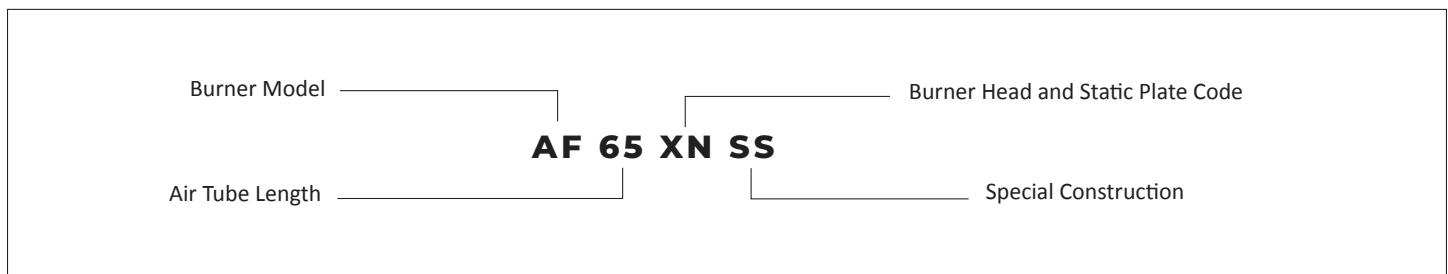
- Step 1:** Adjust air until a trace of smoke level is achieved.
Step 2: At the trace of smoke level, measure the CO2 or O2. This is a vital reference point for further adjustments.
Step 3: Increase the air to reduce the CO2 by 1% to 2% (O2 will increase by approximately 1.4% to 2.7%)
Step 4: Recheck smoke level. It should be zero.

⚠ WARNING Fire, Smoke, and Asphyxiation Hazards

Failure to properly adjust the burner could result in death, severe personal injury, or substantial property damage.

The burner must be adjusted prior to placing in service using combustion test instruments for the final air setting.

Notes for Air Tube Combination (ATC) Identification:



You can find Air Tube code listings listed on page 6 & 7 of this guide.

Index

Names	Page #
Introduction	2
Instructions for Using the Beckett OEM Specification Guide	3
Index	5
R.W. Beckett Air Tube Combination Code Listing	5
R.W. Beckett Nozzle Line Length Code	6
AFII Burner Air Tube Combinations	7
R.W. Beckett Nozzle Line Length Code	7
NX Burner Air Tube Combinations	7
Service Notes	8
A.O. Smith	9
Adams / Dornback	9
Advantage / Pure Pro / Trio / F.W. Webb	10
Airtemp / R.E. Michel	10
American Standard	11
Arco Air / Comfortmaker / ICP	11
Armstrong / Air Ease	12
Axeman - Anderson	14
Bard Manufacturing	15
Benjamin Htg. Products	16
Biasi / Neca / Vega / QHT	17
Bock Water Heater	18
Boyertown Furnace / Hallmark / Regal	18
Bradford White	19
Bryan Steam Corp.	19
Bryant	20
Buderus	20
Burnham / U.S. Boiler	21
Carrier Corp.	22
Clare Brothers	24
Coleman	25
Columbia Boiler Co.	25
Concord	27
Cox Manufacturing Inc.	28
CRC Environmental	28
Crown Boiler Co.	28
De Dietrich / Marketing Company of North America	30
Dettson Industries	31
Ducane	31
Dunkirk Radiator	32
Electric Furnace-Man	34
Energy Kinetics	35
Enerjet / Superior	35
Evcon	35
Everhot All-Copper / Therma-Flow	35
F.W. Webb / Advantage / Pure Pro / Trio	36
Frost Fighter	36
H.B. Smith	36
Heat Controller / Comfort Air / Century / Patriot	38
Heil Quaker / Temp Star / ICP	39
HTO / ICP	39

Names	Page #
Hydrotherm, Inc.	49
Intertherm	40
International Comfort Products / Lincoln Barriere	40
John Wood	43
Keeprite / ICP	43
Kerr Heating Products	44
Keystone Manufacturing	44
Lennox	44
Lochinvar	46
Luxaire	46
Metromatic Manufacturing Co.	47
Modine Manufacturing Co.	48
Monitor	48
New Yorker	48
Newmac Manufacturing Inc. / United States Stove	50
Nordyne / Miller	51
Olsen Technology, Inc.	51
Oneida Royal Heater	53
Peerless Heater	54
Penngo	56
Pensotti	56
Pow-R-Matic, Inc.	57
Ray-Pak	57
R.E. Michel / Airtemp	57
Reznor	57
Rheem Manufacturing	58
Ruud	59
Siebring Manufacturing Co.	60
Slant / Fin	61
Spirit	61
State Industries	62
Sunderman Manufacturing Co.	62
Tarm USA	62
Teledyne Laars	62
Thermo Dynamics	63
Thermo Products	64
Thermoflo-Milwaukee	65
Trane	66
Trianco, Inc. / Laars, Inc.	67
Triangle Tube	68
Ultimate Engineering	69
Utica Boiler	70
Vaillant	71
Viessmann	72
Weil-McLain	73
Williamson Co.	73
Nozzle Capacities	76
Manufacturers / Spray Patterns	76
Helpful Conversion Factors For Heating Systems	76
Beckett Clean Cut Service Part Installation Instructions	78

R.W. Beckett Air Tube Combination Code Listing

A.T.C. Code	Burner Head	Static plate
BA	F6	3-3/8" 3384
BB	F4	3-3/8"R 31646
BD	F3	3-5/8" 3912
BN	F3	3-3/8"R 31646
BO	F0	3-3/8"R 31646
BP	F127	3" 31757
BR	F3	None
BU	F310	2-3/4" 3383
BZ	F4	3-3/8"R 31646
DB	F67	2-3/4" 3383
DN	F37	2-3/4" 3383
DO	F127	2-3/4" 3383
DP	F227	2-3/4" 3383
FA	F310	None
FB	F310	None
FC	F310	2-3/4" 3383
FD	F220	None
FE	F163	2-3/4" 3383
FF	F220	None
FH	F310	2-3/4" 3383
FJ	F22	None
FK	F22	None
FL	F22	2-3/4" 3383
FM	F16	2-3/4" 3383
FO	F12	2-3/4" 3383
FP	F22	2-3/4" 3383
FS	F220	3-3/8" 3384
FT	F310	None
FU	F310	None
FV	F310	2-3/4" 3383
FW	F120	2-3/4" 3383
FX	F120	2-3/4" 3383
FY	F220	2-3/4" 3383
FZ	F220	2-3/4" 3383
JA	F30	None
JB	F124	2-3/4" 3383
JC	F310	2-1/4" 31230
JD	F30	2-3/4" 3383
JE	F223	None
JG	F160	None
JH	F164	2-3/4" 3383
JJ	F34	3-1/2" 3898
JK	F12	2-3/4" 3383
JL	F16	2-3/4" 3383
JM	F220	2-3/4" 3383
JN	F60	3-3/8" 3384
JO	F220	3-3/8" 3384
JP	F6H	2-3/4" 3383
JR	F16	3-3/8" 3384
JS	D1	3-3/8" 3384
JT	F160	2-3/4" 3383
JU	F4	2-3/4" 3383
JV	F6	2-3/4" 3383
JW	F164	None
JX	F12	2-1/2" 3894
JY	F0	3-3/8"R 31646

A.T.C. Code	Burner Head	Static plate
JZ	F6	3-3/8"R 31646
NB	F303	2-3/4" 3383
NE	F24	None
NF	F22	2-3/4" 3383
NH	F22	None
NJ	F310	2-1/4" 31230
NK	F31	None
NM	F310	3-3/8" 3384"
NN	F31	2-1/4" 31230
NT	F160	None
NU	F16	2-3/4" 3383
NV	F22	2-1/4" 31230
RA	F0	2-3/4" 3383
RB	F0	2-3/4" 3383
RC	F3	2-3/4" 3383
RE	F6	2-3/4" 3383
RF	F6	2-3/4" 3383
RG	F12	2-3/4" 3383
RH	F12	2-3/4" 3383
RJ	F12	None
RK	F12	None
RL	F22	None
RM	F22	None
RN	F22	2-3/4" 3383
RO	F3	3-3/8" 3384
RP	F12	3-3/8" 3384
RT	F6	3-3/8" 3384
SA	F300	None
SB	F300	None
SC	F160	3-3/8" 3384
SFS	F30	None
SX	F223	None
SY	F12	2-3/4" 3383
VA	F4S	3-5/8" 3912
VB	F220	2-3/4" 3383
VE	F313	None
VF	F120	2-3/4" 3383
VG	F300	2-3/4" 3383
VH	F300	2-3/4" 3383
VJ	F224	2-3/4" 3383
VK	F303	None
VL	F220	None
VM	F22	None
VN	F220	None
VP	F22	2-3/4" 3383
VS	F224	2-3/4" 3383
VT	F220	2-1/4" 31230
VU	F220	None
VV	F300	2-3/4" 3383
VW	F12	2-3/4" 3383
VX	F220	2-3/4" 3383
VY	F220	2-1/4" 31230
VZ	F12	None
WA	F3	3-5/8" 3912"
WB	F4	3-1/2" 3898"
WF	F16	2-3/4" 3383

A.T.C. Code	Burner Head	Static plate
WG	F0	3-1/2" 3898
WH	F4	2-3/4" 3383
WJ	F22	3-3/8" 3384
WK	F16	None
WL	F33	2-3/4" 3383
WM	F60	2-3/4" 3383
WN	F6	3-3/8"R 31646
WP	F4	3-3/8" 3384
WR	F3	3-1/2" 3898
WS	F6	3-1/2" 3898
WT	F12	3-3/8" 3384
WV	F22	2-1/4" 31230
XL	R4	3-3/8" 3384
XM	F0	3-3/8" 3384
XN	F3	2-3/4" 3383
XO	F12	2-3/4" 3383
XP	F22	2-3/4" 3383
XR	F0	3-3/8" 3384
XS	F31	None
XT	F0	3-1/8"C 3471
XU	F3	3-1/8"C 3471
XUS	F3	3-1/8"S 3714
XV	F31	2-3/4" 3383
XY	F300	2-3/4" 3383
XZ	R4	2-3/4" 3383
XZT	F0	2-3/4" 3383
YA	F0	2-3/4" 3383
YB	F6	2-3/4" 3383
YC	F120	2-3/4" 3383
YD	F220	2-3/4" 3383
YE	F3	3-3/8" 3384
YF	F22	None
YG	F220	None
YH	F3	3-3/8" 3384
YJ	F12	2-3/4" 3383
YK	F220	2-3/4" 3383
YL	F0	3-5/8" 3912
YN	F12	None
YP	F3H	2-3/4" 3383
YS	F31	None
YT	F3H	3-3/8" 3384
YV	F31	2-3/4" 3383
YW	F3	2-3/4" 3383
YY	F6	3-3/8" 3384
YZ	F0H	2-3/4" 3383
ZA	F6	3-1/8"S 3714
ZB	F12	3-1/8"S 3714
ZD	F3	3-7/16"Fin 388901
ZE	F22	3-7/16"Fin 388901
ZF	F6	3-3/8" 3384
ZG/WF	F6	3-1/2" 3898
ZH	F12	3-7/16"Fin 388901
ZJ	F31	2-1/2" 3894
ZN	F6	None
ZP	F3	3-1/2" 3898
ZR	F3S	2-3/4" 3383

R.W. Beckett Air Tube Combination Code Listing Cont.

A.T.C. Code	Burner Head	Static plate	A.T.C. Code	Burner Head	Static plate	A.T.C. Code	Burner Head	Static plate
ZV	F120	3-3/8" 3384	*MC (1)	L1 5912U	2-3/4" 3383	*MN (1)	L1 5912U	None
ZS	F4S	2-3/4" 3383	*MD (2)	V1 5913U	2-3/4" 3383	*MP (2)	L2 51895U	2-3/4" 3383
ZT	F120	None	*MK (2)	V1 5913U	2-3/4"M 31905	*MQ (2)	L2 51895U	3-3/8" 3384
*MA (1)	L1 5912U	3-3/8" 3384	*ML (2)	V1 5913U	None	*MRN (2)	L2 51895U	None
*MB (1)	L1 5912U	3-3/8" 3384	*MM (2)	L1 5912U	3-3/8" 3384	*MS (2)	L1 5912U	None
						*MT (2)	L1 5912U	2-3/4" 3383

* To be used on Model "AFG" only.
 (1) Straight Shroud 1-3/8" 'Z' Dimension
 (2) Conic Shroud 1-3/4" 'Z' Dimension

Special Construction Codes

FS = Fiber Head Protector
 HS = Heat Shield Porcelain
 SS = Stainless Steel Air Tube

XS = Fiber Head Protector AFII

OS = Outer Shield
 AQ = 16-Slot Venturi
 AS = 1-Piece Venturi Aluminized Steel

AFII Burner Air Tube Combinations

A.T.C. Code	Burner Head	Special Construction Code
HB	6-Slot 51671U	--
HC	9-Slot 51672U	--
HD	6-Slot 51671U	--
HE	9-Slot 51672U	--
HFXS	FB0	XS
HGXS	FB3	XS
HHXS	FB4	XS
HIXS	FB6	XS

R.W. Beckett Nozzle Line Length Code

A.T.C. Code Length	Replacement Nozzle Line	Universal Electrode Kit
30 to 36	NL30 to NL36	578711
40 to 90	NL40 to NL90	5780
104 to 210	NL104 to NL210	5782

If the customer has a non-flame retention burner Model "A" or "S" with the A.T.C. Code A,B,C,D,E,F,G,H,I,J,K,L,M,XG or XH, it will be necessary to purchase one of the following universal electrode kits for replacements: Beckett part number 5781, for air tubes 3" to 9" in usable length, or Beckett part number 5783, for air tubes 10" to 21" in usable length.

NX Burner Air Tube Combinations

A.T.C. Code	Burner Head	Throttle Ring	Throttle Cup	Retention Ring
LB	9-Slot / NX1 51815	6-Hole 1/4"	12-Slot	6-Rib
LC	6-Slot / NX2 51785	6-Hole 1/4"	12-Slot	6-Rib
LD	9-Slot / NX1 51815	6-Hole 3/8"	4-Leg	4-Rib
LF	6-Slot / NX2 51785	6-Hole 3/8"	4-Leg	4-Rib
LG	9-Slot / NX1 51815	2-Hole 1/4"	12-Slot	6-Rib
LH	6-Slot / NX2 51785	2-Hole 1/4"	12-Slot	6-Rib
LJ	*9-Slot / NX1 52020	6-Hole 1/4"	12-Slot	6-Rib
LK	*6-Slot / NX2 52019	6-Hole 1/4"	12-Slot	6-Rib
LL	*9-Slot / NX1 52020	6-Hole 3/8"	4-Leg	4-Rib
LM	*6-Slot / NX2 52019	6-Hole 3/8"	4-Leg	4-Rib
LN	*9-Slot / NX1 52020	2-Hole 1/4"	12-Slot	6-Rib
LP	*6-Slot / NX2 52019	2-Hole 1/4"	12-Slot	6-Rib

*No 3/16" hole in Head

Service Notes

Note Number	Note
1	"FS" on air tube combination = fiber heat shield on combustion head.
2	"HS" on air tube combination = ceramic heat shield on combustion head.
3	Pre/post-purge control must be used.
4	Requires delay solenoid valve.
5	Non-delay valve required.
6	Nozzle line heater required.
7	D1 head requires 7/8" "Z" dimension.
8	2-slot air band 31840BK required.
9	Electrode settings of 1/4" above center of nozzle, 1/8" in front of nozzle and gap 5/32".
10	3-slot air shutter #32211.
11	Refer to appliance name plate for proper (nozzle) input rate.
12	Massachusetts approved dual boiler temperature controls.
13	Requires blank air band.
14	Requires flange gasket #31653.
15	Must maintain 6° downward pitch on air tube/flange.
16	With conic shroud, "Z" dimension is 1-3/4".
17	Flange 3837BKU. (Gasket supplied by Nordyne)
18	Model ST burner 220V/50Hz.
19	Requires gasket #31802.
20	Stainless steel combustion chamber.
21	5-slot shutter #3932BK.
22	This application requires the use of a blank air band, part #3626.
23	R4 Head has a 1" "Z" dimension.
24	Burner must be factory assembled complete with dual boiler temperature controls.
25	Burner equipped with #31581 refractory sleeve.
26	Burner requires Part Number 21295 four-second timer and solenoid valve.
27	Requires stainless steel air tube.
28	For positive pressure wall venting applications.
29	For chimney vented applications.
30	Two SF burners Utilized.
31	The (H) in the nozzle description denotes a Hago.
32	The (D) in the nozzle description denotes a Delavan Del-o-flow nozzle.
33	Specified with 2-stage pump.
34	Must maintain 3° downward pitch on air tube/flange.
35	Alternate specs for 3-section boiler.
36	Series 3 boiler.
37	AQ in ATC designates 16-slot venturi.
38	Alternate nozzles are Hago 70 B or Monarch 70 B.
39	The AB in the nozzle description denotes a Danfoss.
40	Must maintain 0° downward pitch on air tube/flange.
41	Must maintain 0.5° downward pitch on air tube/flange.
42	Must maintain 1° downward pitch on air tube/flange.
43	Must maintain 1.5° downward pitch on air tube/flange.
44	Must maintain 2.5° downward pitch on air tube/flange.
45	Must maintain 4° downward pitch on air tube/flange.
46	Must maintain -2° downward pitch on air tube/flange.
47	Must utilize blanket kit 8"x17", P.N. 32408.
48	"MR" air tube combination uses CF375 electrode kit 51858.
49	Do not derate, per Weil McLain.
50	Strip Blower Wheel 21434.
51	Burner specs before March 2013.
52	Burner specs after March 2013.
53	Burner specs before September 2012.
54	Burner specs after September 2012.
55	Burner equipped with P.N. 32246 Heat Shield.

Service Notes Cont.

Note Number	Note
56	Burner equipped with #32633 Heat Shield.
57	Burner equipped with #32845 Heat Shield.
58	Requires 2-Slot Air Band #5151506.
59	Requires Blank Air Shutter #32995-001.
60	Requires Air Band #32994-001.
61	Burner Requires #51747 Air Boot Kit.
62	Denotes Appliance "As Shipped" Configuration.

A.O. Smith

Model	Burner	Nozzle	Alt. Nozzle	Pump (PSIG)	Air Settings	Baffle	Head	Static Plate / Stop Screw	Air Tube Combination	Depth	Welded Insertion	See note
140MBTU	AF	1.00 X 80°B	-	100			F3	2¾"	AF65XN	-		
199MBTU	AF	1.35 X 80°B	0.85 X 70°B	100			F6	2¾"	AF65XO	-		
270 MBTU	AF	2.00 X 80°B	-	100			F3	2¾"	AF65XO	-		
400MBTU	AF	2.75 X 80°B	-	100			F31	NONE	AF65XS	-		
COF-199	AFG	1.35 X 80°B	-	110	S-6 / B-0		F12	2¾"	AF53XO	1½"		
COF-245	AFG	1.75 X 80°B	-	100	S-9 / B-0		F12	2¾"	AF53XO	1½"		
COF-315	AFG	2.25 X 80°B	-	100	S-10 / B-0		F22	2¾"	AF53XP	1½"	58020060	
COF-385	SF	2.75 X 80°B	-	100	S-5 / B-0		F16	2¾"	SF53NU	1"	58020260	26
COF-455	SF	3.25 X 80°B	-	100			F22	2¾"	SF53FP	1"	58020169	26
COF-700 A	SF	5.00 X 80°B	-	100	S-5 / B-4		F31	2¼"	SF53NN	1"	58020109	26

Adams / Dornback

Model	Burner	Nozzle	Alt. Nozzle	Pump (PSIG)	Air Settings	Baffle	Head	Static Plate / Stop Screw	Air Tube Combination	Depth	Welded Insertion	See note
ACO-105X	AFG	0.65 X 70°A	-	140			F3	2¾"	AF72XNSSHS	1		2, 27
ACO-120X	AFG	0.75 X 70°A		140			F3	2¾"	AF72XNSSHS			2, 27
ACO-140X	AFG	0.85 X 70°A		140			F6	2¾"	AF72YBSSHS			2, 27
ACO-175	AFG	1.10 X 70°A		140			F6	2¾"	AF72YBSSHS			2, 27
ACO230	AFG	1.35 X 70°A		140	0		F22	2¾"	AF72XPSS	7¼"		
ACO-230	AFG	1.35 X 70°A		140			F22	2¾"	AF72XP			
ACO-350	AFG	2.00 X 70°A		140			F31	NONE	AF72XS			
ACOV-175	AFG	1.10 X 70°A		140			F6	2¾"	AF72YBSSHS			2, 27
ACOV230	AFG	1.35 X 70°A		140	S-8 / B-0		F22	2¾"	AF70XPSS	7¼"		
ACOV-230	AFG	1.35 X 70°A		140			F22	2¾"	AF72XP			
ACOV-350	AFG	2.00 X 70°A		140			F31	NONE	AF72XS			
HEO-0.50	NX	0.40 X 70°A	0.40 X 70°B* (H)	140	0.5	32229	9-slot	-	NX50LBHS	2"	58020259	2
HEO-0.60	NX	0.50 X 70°A	0.85 X 70°B	140	2	32229	9-slot	-	NX50LBHS	2"	58020259	2
HEO-0.70	NX	0.60 X 60°A	-	140	2	32229	9-slot	-	NX50LBHS	2"	58020259	2
HEO-0.80	NX	0.65 X 60°A	-	140	2.25	32229	9-slot	-	NX50LBHS	2	58020259	2
OCF-105	AFG	0.65 X 70°A		140			F3	2¾"	AF72XNSSHS			2, 27
OCF-120	AFG	0.75 X 70°A		140			F3	2¾"	AF72XNSSHS			2, 27
OCF-140	AFG	0.85 X 70°A	-	140			F6	2¾"	AF72YBSSHS	1		2, 27
OCF-175	AFG	1.10 X 70°A		140			F6	2¾"	AF72YBSSHS			2, 27
OCF-230	AFG	1.35 X 70°A		140	S-8 / B-0		F22	2¾"	AF72XPSS	7¼"		
OCF-350	AFG	2.00 X 70°A		140			F31	NONE	AF72XS			
OCF-90	AFG	0.50 X 70°A		140			F3	2¾"	AF72XNSSHS			2, 27
SO120	AFG	0.75 X 70°A		100			F3	2¾"	AF72XNSSHS			2, 27
SO140	AFG	0.85 X 70°A	0.85 X 70°B* (H)	140			F6	2¾"	AF72YBSSHS	6½"		2, 27
SO175	AFG	1.10 X 70°A	1.10 X 70°B* (H)	140			F6	2¾"	AF72YBSSHS	6½"		2, 27
SO230	AFG	1.35 X 70°B		140	S-8 / B-0		F22	2¾"	AF72XPSS	7¼"		
SO90	AFG	0.50 X 70°B	0.50 X 70°AS	140			F3	2¾"	AF72XNSSHS			2, 27
UFO105	AFG	0.65 X 70°A	0.65 X 70°NS	140			F3	2¾"	AF72XNSSHS			2, 27
UFO120	AFG	0.75 X 70°A		140			F3	2¾"	AF72XNSSHS			2, 27

Adams / Dornback Cont.

Model	Burner	Nozzle	Alt. Nozzle	Pump (PSIG)	Air Settings	Baffle	Head	Static Plate / Stop Screw	Air Tube Combination	Depth	Welded Insertion	See note
UFO140	AFG	0.85 X 70°A		100			F3	2¼"	AF72XNSSHS			2, 27
UFO70	AFG	0.50 X 70°A	0.50 X 70°NS	140			F3	2¼"	AF72XNSSHS			2, 27
UFO90	AFG	0.60 X 70°A	0.60 X 70°NS	140			F3	2¼"	AF72XNSSHS			2, 27

Advantage / Pure Pro / Trio / F.W. Webb

Model	Burner	Nozzle	Alt. Nozzle	Pump (PSIG)	Air Settings	Baffle	Head	Static Plate / Stop Screw	Air Tube Combination	Depth	Welded Insertion	See note
AO(T)-3 / 0.65	AFG	0.55 X 60°B* (H)		140	S-5 / B-1	5880	L1	3¾"	AFG70MBAS	2¼"		31
AO(T)-3 / 0.75	AFG	0.65 X 60°B* (H)		140	S-10 / B-2	5880	L1	3¾"	AFG70MBAS	2¼"		31
AO(T)-3 / 1.00	AFG	0.85 X 60°B* (H)		140	S-5 / B-2		L1	3¾"	AFG70MBAS	2¼"		31
AO(T)-4 / 1.25	AFG	1.00 X 60°B* (H)		140	S-10 / B-1		V1-0	2¼"	AFG70MDAS	2¼"		31
AO(T)-4 / 1.50	AFG	1.25 X 60°B* (H)		140	S-10 / B-6		V1-0	2¼"	AFG70MDAS	2¼"		31
AO(T)-5 / 1.75	AFG	1.35 X 45°B* (H)		175	S-6 / B-6		V1-3	2¼"	AFG70MDAS	2¼"		31
AO(T)-5 / 2.00	AFG	1.50 X 45°B* (H)		175	S-8 / B-4		V1-4	NONE	AFG70MLAQ	2¼"		31
P3	AFG	0.60 X 70°B* (H)	0.60 X 70°B	160	S-6 / B-0		L2	3¾"	AFG90MQAQ	5¾"		16, 31, 37
P3	NX	0.60 X 60°B	0.60 X 60°B* (H)	160	1.5		6-Slot		NX90LC	4¼"		
P4	AFG	0.85 X 60B* (H)	0.85 X 60°B	140	S-10 / B-1		L2	3¾"	AFG90MQAQ	5¾"		16, 31, 37
P4	NX	0.85 X 60°B	0.85 X 60°B* (H)	140	3		6-Slot		NX90LC	4¼"		
P5	NX	1.00 X 60°B	1.00 X 60°B* (H)	150	4		6-Slot		NX90LC	4¼"		
P6	NX	1.25 X 45°B	1.25 X 45°B* (H)	140	2		9-Slot		NX90LD	4¾"		
P7	CF375	1.35 X 45°B		150	S-9 / B-0		V1-1		CF65KY	2"		

Airtemp / R.E. Michel

Model	Burner	Nozzle	Alt. Nozzle	Pump (PSIG)	Air Settings	Baffle	Head	Static Plate / Stop Screw	Air Tube Combination	Depth	Welded Insertion	See note
RCF-BNP	NX	0.65 X 60°W		150	3.5	32229	9-Slot		NX70LBHS	5¾"		55, 62
RCF-BNP	NX	0.55 X 60°W		150		32229	9-Slot		NX70LBHS	5¾"		55
RCF-BNP	NX	0.75 X 60°W		150		32229	9-Slot		NX70LBHS	5¾"		55
RCF-BNP	NX	0.85 X 60°W		150		32229	9-Slot		NX70LBHS	5¾"		55
RCF-CBP	AFG	0.75 X 80°A		130	S-8 / B-0	5880	F3	2¼"	AF57XNSS			27, 62
RCF-CBP	AFG	0.60 X 80°A		130		5880	F3	2¼"	AF57XNSS			27
RCF-CBP	AFG	0.85 X 80°A		130		5880	F3	2¼"	AF57XNSS			27
RCF-CBP	AFG	1.00 X 80°A		130		5880	F3	2¼"	AF57XNSS			27
RH8-ABP	AFG	1.00 X 80°A		120	S-5 / B-0		F6	2¼"	AF60YBHS	4½"		2, 62
RH8-ABP	AFG	1.10 X 80°A		120			F6	2¼"	AF60YBHS	4½"		2
RH8-ABP	AFG	0.85 X 80°A		120			F6	2¼"	AF60YBHS	4½"		2
RHF-ABT/ABP	AFG	0.60 X 70°A		120	S-6 / B-0	5880	F3	3¾"	AF60BDHSSS	4½"		2, 27, 62
RHF-ABT/ABP	AFG	0.50 X 80°B		120		5880	F3	3¾"	AF60BDHSSS	4½"		2, 27
RHF-ABT/ABP	AFG	0.75 X 80°A		120		5880	F3	3¾"	AF60BDHSSS	4½"		2, 27
RHF-ANE/ANP	NX	0.50 X 70°A	0.50 X 70°B* (H)	150	2.25	32229	9-Slot		NX50LGHS	4½"		55, 62
RHF-ANE/ANP	NX	0.40 X 70°A	0.40 X 70°B* (H)	150		32229	9-Slot		NX50LGHS	4½"		55
RHF-ANE/ANP	NX	0.60 X 70°A	0.60 X 70°B* (H)	150		32229	9-Slot		NX50LGHS	4½"		55
RL16-FBP/RBP	AFG	1.10 X 80°A		100	S-9 / B-0		F6	2¼"	AF76YBOS	7¾"		25, 62
RL16-FBP/RBP	AFG	1.00 X 80°A		100			F6	2¼"	AF76YBOS	7¾"		25
RLF/RLR-BNP	NX	0.65 X 60°W		150	3.5	32229	9-Slot		NX70LBHS	5¾"		55, 62
RLF/RLR-BNP	NX	0.85 X 60°W		150		32229	9-Slot		NX70LBHS	5¾"		55
RLF/RLR-BNP	NX	0.75 X 60°W		150		32229	9-Slot		NX70LBHS	5¾"		55
RLF/RLR-BNP	NX	0.55 X 60°W		150		32229	9-Slot		NX70LBHS	5¾"		55
RLF/RLR-CBP	AFG	0.75 X 80°A		130	S-8 / B-0	5880	F3	2¼"	AF57XNSS			27, 62
RLF/RLR-CBP	AFG	0.60 X 80°A		130		5880	F3	2¼"	AF57XNSS			27
RLF/RLR-CBP	AFG	0.85 X 80°A		130		5880	F3	2¼"	AF57XNSS			27
RLF/RLR-CBP	AFG	1.00 X 80°A		130		5880	F3	2¼"	AF57XNSS			27

American Standard

Model	Burner	Nozzle	Alt. Nozzle	Pump (PSIG)	Air Settings	Baffle	Head	Static Plate / Stop Screw	Air Tube Combination	Depth	Welded Insertion	See note
ACU055A936B	AFG	0.50 X 80°S		100		5880	F3	3 ³ / ₈ "	AF47YHFS			1
ACU055B936B	AFG	0.50 X 70°H		100		5880	F3	3 ³ / ₈ "	AF47YHFS			1
ACU085B936B	AFG	0.75 X 70°H		100		5880	F3	3 ³ / ₈ "	AF47YHFS			1
ACU100A948B	AFG	0.90 X 70°H		100		5880	F3	3 ³ / ₈ "	AF47YHFS			1
ACU100B948B	AFG	0.90 X 70°H		100		5880	F3	3 ³ / ₈ "	AF47YHFS			1
ACU125A960B	AFG	1.10 X 70°H		100		5880	F6	2 ³ / ₄ "	AF67YBFS			1
ACU125B960B	AFG	1.10 X 70°H		100		5880	F6	2 ³ / ₄ "	AF67YBFS			1
ACU085A936B	AFG	0.75 X 70°H		100		5880	F3	3 ³ / ₈ "	AF47YHFS			1
ADF085A936B	AFG	0.75 X 70°H		100		5880	F3	3 ³ / ₈ "	AF47YHFS			1
ADF112A948B	AFG	1.00 X 70°H		100		5880	F3	3 ³ / ₈ "	AF47YHFS			1
ADF1M087A936-948SAA	AF	0.60 X 80°A		130			F3	2 ³ / ₄ "	AF57XNSS			27
ADF1M087A936-948SAA	AF	0.75 X 80°A		130			F3	2 ³ / ₄ "	AF57XNSS			27
ADF1M087A936-948SAA	AF	0.85 X 80°A		130			F3	2 ³ / ₄ "	AF57XNSS			27
ADF1M087A936-948SAA	AF	1.00 X 80°A		130			F3	2 ³ / ₄ "	AF57XNSS			27
ADF1M087A9V3-9V5SAA	AF	0.60 X 80°A		130			F3	2 ³ / ₄ "	AF57XNSS			27
ADF1M087A9V3-9V5SAA	AF	0.75 X 80°A		130			F3	2 ³ / ₄ "	AF57XNSS			27
ADF1M087A9V3-9V5SAA	AF	0.85 X 80°A		130			F3	2 ³ / ₄ "	AF57XNSS			27
ADF1M087A9V3-9V5SAA	AF	1.00 X 80°A		130			F3	2 ³ / ₄ "	AF57XNSS			27
AHV1M087A936-948SAA	AF	0.75 X 80°A		130			F3	2 ³ / ₄ "	AF57XNSS			27
AHV1M087A936-948SAA	AF	0.85 X 80°A		130			F3	2 ³ / ₄ "	AF57XNSS			27
AHV1M087A936-948SAA	AF	1.00 X 80°A		130			F3	2 ³ / ₄ "	AF57XNSS			27
AHV1M087A936-948SAA	AF	0.60 X 80°A		130			F3	2 ³ / ₄ "	AF57XNSS			27
AHV1M087A9V3-9V5SAA	AF	0.60 X 80°A		130			F3	2 ³ / ₄ "	AF57XNSS			27
AHV1M087A9V3-9V5SAA	AF	0.75 X 80°A		130			F3	2 ³ / ₄ "	AF57XNSS			27
AHV1M087A9V3-9V5SAA	AF	0.85 X 80°A		130			F3	2 ³ / ₄ "	AF57XNSS			27
AHV1M087A9V3-9V5SAA	AF	1.00 X 80°A		130			F3	2 ³ / ₄ "	AF57XNSS			27
ALB085A936B	AFG	0.75 X 70°H		100		5880	F3	3 ³ / ₈ "	AF47YHFS			1
ALB085B936B	AFG	0.75 X 70°H		100		5880	F3	3 ³ / ₈ "	AF47YHFS			1
ALB100A948B	AFG	0.90 X 70°H		100		5880	F3	3 ³ / ₈ "	AF47YHFS			1
ALB100B948B	AFG	0.90 X 70°H		100		5880	F3	3 ³ / ₈ "	AF47YHFS			1
ALB125A960B	AFG	1.10 X 70°H		100		5880	F6	2 ³ / ₄ "	AF67YBFS			1
ALB125B960B	AFG	1.10 X 70°H		100		5880	F6	2 ³ / ₄ "	AF67YBFS			1
ALF1M087A936-948SAA	AF	0.60 X 80°A		130			F3	2 ³ / ₄ "	AF57XNSS			27
ALF1M087A936-948SAA	AF	0.75 X 80°A		130			F3	2 ³ / ₄ "	AF57XNSS			27
ALF1M087A936-948SAA	AF	0.85 X 80°A		130			F3	2 ³ / ₄ "	AF57XNSS			27
ALF1M087A936-948SAA	AF	1.00 X 80°A		130			F3	2 ³ / ₄ "	AF57XNSS			27
ALF1M087A9V3-9V5SAA	AF	0.60 X 80°A		130			F3	2 ³ / ₄ "	AF57XNSS			27
ALF1M087A9V3-9V5SAA	AF	0.75 X 80°A		130			F3	2 ³ / ₄ "	AF57XNSS			27
ALF1M087A9V3-9V5SAA	AF	1.00 X 80°A		130			F3	2 ³ / ₄ "	AF57XNSS			27
ALF1M087A9V3-9V5SAA	AF	0.85 X 80°A		130			F3	2 ³ / ₄ "	AF57XNSS			27
ALR1M087A936-948SAA	AF	0.60 X 80°A		130			F3	2 ³ / ₄ "	AF57XNSS			27
ALR1M087A936-948SAA	AF	0.75 X 80°A		130			F3	2 ³ / ₄ "	AF57XNSS			27
ALR1M087A936-948SAA	AF	0.85 X 80°A		130			F3	2 ³ / ₄ "	AF57XNSS			27
ALR1M087A936-948SAA	AF	1.00 X 80°A		130			F3	2 ³ / ₄ "	AF57XNSS			27
ALR1M087A9V3-9V5SAA	AF	0.60 X 80°A		130			F3	2 ³ / ₄ "	AF57XNSS			27
ALR1M087A9V3-9V5SAA	AF	0.75 X 80°A		130			F3	2 ³ / ₄ "	AF57XNSS			27
ALR1M087A9V3-9V5SAA	AF	0.85 X 80°A		130			F3	2 ³ / ₄ "	AF57XNSS			27
ALR1M087A9V3-9V5SAA	AF	1.00 X 80°A		130			F3	2 ³ / ₄ "	AF57XNSS			27
AUH175B960B	AFG	1.50 X 70°S		100			F12	2 ³ / ₄ "	AF67XOFS			1

Arco Air / Comfortmaker / ICP

Model	Burner	Nozzle	Alt. Nozzle	Pump (PSIG)	Air Settings	Baffle	Head	Static Plate / Stop Screw	Air Tube Combination	Depth	Welded Insertion	See note
OCH055A012	AFG	0.50 X 80°S		100		5880	F3	3 ³ / ₈ "	AF47YHFS			1

Arco Air / Comfortmaker / ICP Cont.

Model	Burner	Nozzle	Alt. Nozzle	Pump (PSIG)	Air Settings	Baffle	Head	Static Plate / Stop Screw	Air Tube Combination	Depth	Welded Insertion	See note
OCH075A012	AFG	0.75 X 70°H		100		5880	F3	3¾"	AF47YHFS			1
OCH100A016	AFG	0.90 X 70°H		100		5880	F3	3¾"	AF47YHFS			1
OCH125A016	AFG	1.10 X 70°H		100		5880	F6	2¾"	AF67YBFS			1
OHD055A012	AFG	0.50 X 80°S		100		5880	F3	3¾"	AF47YHFS			1
OHD085A012	AFG	0.75 X 70°H		100		5880	F3	3¾"	AF47YHFS			1
OHD100A016	AFG	0.90 X 70°H		100		5880	F3	3¾"	AF47YHFS			1
OHD125A020	AFG	1.10 X 70°H		100		5880	F6	2¾"	AF67YBFS			1
OLR055A012	AFG	0.50 X 80°S		100		5880	F3	3¾"	AF47YHFS			1
OLR085A012	AFG	0.75 X 70°H		100		5880	F3	3¾"	AF47YHFS			1
OLR100A016	AFG	0.90 X 70°H		100		5880	F3	3¾"	AF47YHFS			1
OLR125A020	AFG	1.10 X 70°H		100		5880	F6	2¾"	AF67YBFS			1

Armstrong / Air Ease

Model	Burner	Nozzle	Alt. Nozzle	Pump (PSIG)	Air Settings	Baffle	Head	Static Plate / Stop Screw	Air Tube Combination	Depth	Welded Insertion	See note
199MBTU	AF	1.35 X 80°B		100			F6	2¾"	AF65YB			
L13-225	SF	2.00 X 70°B		100			F220	2¾"	SF53FY			
L13-275	SF	2.50 X 60°B		100			F220	2¾"	SF53FY			
L13-350	SF	3.00 X 70°B		100	S-4 / B-4		F310	NONE	SF53FU			15
L13-450	SF	4.00 X 60°B		100			F310	NONE	SF53FU			15
L595	AFG	0.85 X 80°B		100		5880	F3	2¾"	AF50XN			
L5B112	AFG	1.00 X 80°B		100			F3	2¾"	AF50XN			
L5B125	AFG	1.10 X 80°B		100			F3	2¾"	AF50XN			
L5B84	AFG	0.75 X 80°B		100		5880	F3	2¾"	AF50XN			
L5BR112/125C	AFG	1.00 X 80°B		100			F6	2¾"	AF55YB			
L5BR140/168	AFG	1.50 X 80°B		100			F6	2¾"	AF55YB			
L5BR140DC20	AFG	1.25 X 80°B		100			F6	2¾"	AF55YB			
L5BR168DC20	AFG	1.50 X 80°B		100			F6	2¾"	AF55YB			
L5BR84/95	AFG	0.75 X 80°B	0.75 X 80°B* (H)	100			F3	2¾"	AF55XN			
L6B112	AFG	1.00 X 80°B		100			F3	2¾"	AF50XN	UM*		
L6B125	AFG	1.10 X 80°B		100			F3	2¾"	AF50XN	UM*		
L6B84	AFG	0.75 X 80°B		100		5880	F3	2¾"	AF50XN			
L6B95	AFG	0.85 X 80°B		100		5880	F3	2¾"	AF50XN			
L78B112	AFG	1.00 X 80°B		100			F3	2¾"	AF50XN			
L78B125	AFG	1.10 X 80°B		100			F3	2¾"	AF50XN			
L78B84	AFG	0.75 X 80°B		100			F3	2¾"	AF50XN			
L78B95	AFG	0.85 X 80°B		100			F3	2¾"	AF50XN			
L78C112/125	AFG	1.10 X 80°B		100			F6	2¾"	AF55YB			
L78C84/95	AFG	0.85 X 80°B		100			F3	2¾"	AF55XN			
L83UF-112	AFG	0.85 X 80°B	0.85 X 80°B* (H)	140	S-6 / B-0		F4	3⅝"	AF46WPHS	5"		2
L83UF-125	AFG	1.00 X 80°B	1.00 X 80°B* (H)	140	S-9 / B-0		F4	3⅝"	AF46WPHS	5"		2
L83UF-57	AFG	0.50 X 80°A	0.50 X 80°H	100	S-4 / B-0	5880	F0	2¾"	AF46ZXTHS	5"		2, 58
L83UF-72	AFG	0.65 X 80°B	0.65 X 80°B* (H)	100	S-10 / B-0	5880	F0	2¾"	AF46XZTHS	5"		2, 58
L83UF-84	AFG	0.65 X 80°B	0.65 X 80°B* (H)	140	S-6 / B-0	5880	F3	2¾"	AF46XNHS	5"		2
L83UF-94	AFG	0.75 X 80°B	0.75 X 80°B* (H)	140	S-8 / B-0	5880	F3	2¾"	AF46XNHS	5"		2
L85UF104	NX	0.75 X 60°A	0.75 X 60°H	145	3.25		6-Slot		NX70LCHS	5"		*
L85UF118	NX	0.85 X 60°A	0.85 X 60°H	145	3.75		6-Slot		NX70LCHS	5"		*
L85UF67	NX	0.50 X 60°A	0.50 X 60°W	150	3	32229	6-Slot		NX70LHHS	5"	58020284	*
L85UF87	NX	0.65 X 60°A	0.65 X 60°W	150	3.75		6-Slot		NX70LHHS	5"	58020284	*
LBF80A112/125B16	AFG	0.85 X 80°B		140	S-6 / B-1		F6	2¾"	AF50YB			
LBF80A112/125B16	AFG	1.00 X 80°B		140	S-6 / B-1		F6	2¾"	AF50YB			
LBF80A112/125D20	AFG	0.85 X 80°B		140	S-6 / B-1		F6	2¾"	AF50YB			
LBF80A112/125D20	AFG	1.00 X 80°B		140	S-6 / B-1		F6	2¾"	AF50YB			
LBF80A57B08	AF	0.50 X 80°A(D)		100	S-4 / B-0		F0	2¾"	AF50XZT			32

UM* Stands for Unit Mount

Armstrong / Air Ease Cont.

Model	Burner	Nozzle	Alt. Nozzle	Pump (PSIG)	Air Settings	Baffle	Head	Static Plate / Stop Screw	Air Tube Combination	Depth	Welded Insertion	See note
LBF80A57D10	AF	0.50 X 80°A(D)		100	S-4 / B-0		F0	2 3/4"	AF50XZT			32
LBF80A84/95B10	AFG	0.65 X 80°B	0.65 X 80°B* (H)	140	S-6 / B-0		F6	2 3/4"	AF50YB			
LBF80A84/95B10	AFG	0.75 X 80°B	0.75 X 80°B* (H)	140	S-6 / B-1		F6	2 3/4"	AF50YB			
LBF80A84/95D12	AFG	0.65 X 80°B	0.65 X 80°B* (H)	140	S-6 / B-0		F6	2 3/4"	AF50YB			
LBF80A84/95D12	AFG	0.75 X 80°B	0.75 X 80°B* (H)	140	S-6 / B-1		F6	2 3/4"	AF50YB			
LBF80C112/125B16-1	AFG	0.85 X 80°B		140	S-6 / B-1		F6	2 3/4"	AF50YB			
LBF80C112/125D20-1	AFG	0.85 X 80B		140	S-6 / B-1		F6	2 3/4"	AF50YB			
LBF80C57/72	AFG	0.50 X 80°A		100	S-4 / B-0	5880	F0	2 3/4"	AF50XZT			
LBF80C57B08-1	AFG	0.50 X 80°B		100	S-4 / B-0	5880	F0	2 3/4"	AF50XZT			
LBF80C84/95B10-1	AFG	0.65 X 80°B	0.65 X 80°B* (H)	140	S-6 / B-0	5880	F6	2 3/4"	AF50YB			
LBF80C84/95D16-1	AFG	0.65 X 80°B	0.65 X 80°B* (H)	140	S-6 / B-0	5880	F6	2 3/4"	AF50YB			
LBR80A112/125B16	AFG	0.85 X 80°B		140	S-6 / B-1		F6	2 3/4"	AF50YB			
LBR80A112/125B16	AFG	1.00 X 80°B		140	S-6 / B-1		F6	2 3/4"	AF50YB			
LBR80A112/125D20	AFG	0.85 X 80°B		140	S-6 / B-1		F6	2 3/4"	AF50YB			
LBR80A112/125D20	AFG	1.00 X 80°B		140	S-6 / B-1		F6	2 3/4"	AF50YB			
LBR80A140/168D20	AFG	1.10 X 80°B		140	S-8 / B-1		F6	2 3/4"	AF55YB			
LBR80A140/168D20	AFG	1.25 X 80°B		140	S-8 / B-1		F6	2 3/4"	AF55YB			
LBR80A196B24	AFG	1.50 X 80°B		140	S-6 / B-2		F16	2 3/4"	AF56WF			
LBR80A57B08	AF	0.50 X 80°A		100	S-4 / B-0		F0	2 3/4"	AF50XZT			32
LBR80A57D10	AF	0.50 X 80°A		100	S-4 / B-0		F0	2 3/4"	AF50XZT			32
LBR80A84/95B10	AFG	0.65 X 80°B	0.65 X 80°B* (H)	140	S-6 / B-0		F6	2 3/4"	AF50YB			
LBR80A84/95B10	AFG	0.75 X 80°B	0.75 X 80°B* (H)	140	S-6 / B-1		F6	2 3/4"	AF50YB			
LBR80A84/95D12	AFG	0.65 X 80°B	0.65 X 80°B* (H)	140	S-6 / B-0		F6	2 3/4"	AF50YB			
LBR80A84/95D12	AFG	0.75 X 80°B	0.75 X 80°B* (H)	140	S-6 / B-1		F6	2 3/4"	AF50YB			
LBR80C112/125B16	AFG	0.85 X 80°B		140	S-6 / B-1		F6	2 3/4"	AF50YB			
LBR80C112/125B16-1	AFG	0.85 X 80°B		140	S-6 / B-1		F6	2 3/4"	AF50YB			
LBR80C112/125D20-1	AFG	0.85 X 80°B		140	S-6 / B-1		F6	2 3/4"	AF50YB			
LBR80C140/168D20-1	AFG	1.10 X 80°B		140	S-8 / B-1		F6	2 3/4"	AF55YB			
LBR80C196B24	AFG	1.50 X 80°B		140	S-7 / B-2		F16	2 3/4"	AF56WF			
LBR80C196B24-1	AFG	1.50 X 80°B		140	S-7 / B-2		F16	2 3/4"	AF56WF			
LBR80C57/72	AFG	0.50 X 80°A		100	S-4 / B-0	5880	F0	2 3/4"	AF50YZT			
LBR80C57B08-1	AFG	0.50 X 80°B		100	S-4 / B-0	5880	F0	2 3/4"	AF50XLT			
LBR80C84/95B10-1	AFG	0.65 X 80°B	0.65 X 80°B* (H)	140	S-6 / B-0	5880	F6	2 3/4"	AF50YB			
LBR80C84/95D16-1	AFG	0.65 X 80°B	0.65 X 80°B* (H)	140	S-6 / B-0	5880	F6	2 3/4"	AF50YB			
LG14-225	SF	2.00 X 70°B	-	100	S-6 / B-0		F220	2 3/4"	SF53FZ	-	58020092	
LG14-275	SF	2.50 X 60° B	-	100			F220	2 3/4"	SF53FZ	-	58020092	
LG14-350	SF	3.00 X 70°B	-	100	S-4 / B-4		F310	NONE	SF53FU	-	580545	15
LG14-450	SF	4.00 X 60°B	-	100			F310	NONE	SF53FU	-	580545	15
LHF80A112/125D20	AFG	0.85 X 80°B		140	S-6 / B-1		F6	2 3/4"	AF50YB			
LHF80A112/125D20	AFG	1.00 X 80°B		140	S-6 / B-1		F6	2 3/4"	AF50YB			
LHF80A84/95D12	AFG	0.65 X 80°B	0.65 X 80°B* (H)	140	S-6 / B-0		F6	2 3/4"	AF50YB			
LHF80A84/95D12	AFG	0.75 X 80°B	0.75 X 80°B* (H)	140	S-6 / B-1		F6	2 3/4"	AF50YB			
LHF80C112/125D20-1	AFG	0.85 X 80°B		140	S-6 / B-1		F6	2 3/4"	AF50YB			
LHF80C84/95D12-1	AFG	0.65 X 80°B	0.65 X 80°B* (H)	140	S-6 / B-0	5880	F6	2 3/4"	AF50YB			
LHR80A112/125D20	AFG	0.85 X 80°B		140	S-6 / B-1		F6	2 3/4"	AF50YB			
LHR80A112/125D20	AFG	1.00 X 80°B		140	S-6 / B-1		F6	2 3/4"	AF50YB			
LHR80A196D24	AFG	1.50 X 80°B		140	S-6 / B-2		F16	2 3/4"	AF56WF			
LHR80A57D12	AF	0.50 X 80°A		100	S-4 / B-0		F0	2 3/4"	AF50XZT			32
LHR80A84/95D12	AFG	0.65 X 80°B	0.65 X 80°B* (H)	140	S-6 / B-0		F6	2 3/4"	AF50YB			
LHR80A84/95D12	AFG	0.75 X 80°B	0.75 X 80°B* (H)	140	S-6 / B-1		F6	2 3/4"	AF50YB			
LHR80C112/125D20-1	AFG	0.85 X 80°B		140	S-6 / B-1		F6	2 3/4"	AF50YB			
LHR80C168/196D24-1	AFG	1.50 X 80°B		140	S-7 / B-2		F16	2 3/4"	AF56WF			
LHR80C57/72D12-1	AFG	0.50 X 80°B		100	S-4 / B-0	5880	F0	2 3/4"	AF50XZT			
LHR80C84/95D12-1	AFG	0.65 X 80°B	0.65 X 80°B* (H)	140	S-6 / B-0	5880	F6	2 3/4"	AF50YB			

Armstrong / Air Ease Cont.

Model	Burner	Nozzle	Alt. Nozzle	Pump (PSIG)	Air Settings	Baffle	Head	Static Plate / Stop Screw	Air Tube Combination	Depth	Welded Insertion	See note
LUF80A112/125B16	AFG	0.85 X 80°B		140	S-6 / B-1		F6	2¾"	AF50YB			
LUF80A112/125B16	AFG	1.00 X 80°B		140	S-6 / B-1		F6	2¾"	AF50YB			
LUF80A112/125D20	AFG	0.85 X 80°B		140	S-6 / B-1		F6	2¾"	AF50YB			
LUF80A112/125D20	AFG	1.00 X 80°B		140	S-6 / B-1		F6	2¾"	AF50YB			
LUF80A57B08	AF	0.50 X 80°A		100	S-4 / B-0		F0	2¾"	AF50XZT			32
LUF80A57D10	AF	0.50 X 80°A		100	S-4 / B-0		F0	2¾"	AF50XZT			32
LUF80A84/95B10	AFG	0.65 X 80°B	0.65 X 80°B* (H)	140	S-6 / B-0		F6	2¾"	AF50YB			
LUF80A84/95B10	AFG	0.75 X 80°B	0.75 X 80°B* (H)	140	S-6 / B-1		F6	2¾"	AF50YB			
LUF80A84/95D12	AFG	0.65 X 80°B	0.65 X 80°B* (H)	140	S-6 / B-0		F6	2¾"	AF50YB			
LUF80A84/95D12	AFG	0.75 X 80°B	0.75 X 80°B* (H)	140	S-6 / B-1		F6	2¾"	AF50YB			
LUF80C112/125B16-1	AFG	0.85 X 80°B		140	S-6 / B-1		F6	2¾"	AF50YB			
LUF80C112/125D20-1	AFG	0.85 X 80°B		140	S-6 / B-1		F6	2¾"	AF50YB			
LUF80C57/72D12-1	AFG	0.50 X 80°A		100	S-4 / B-0	5880	F0	2¾"	AF50XZT			
LUF80C57B08-1	AFG	0.50 X 80°B		100	S-4 / B-0	5880	F0	2¾"	AF50XZT			
LUF80C84/95B10-1	AFG	0.65 X 80°B	0.65 X 80°B* (H)	140	S-6 / B-0	5880	F6	2¾"	AF50YB			
LUF80C84/95D16-1	AFG	0.65 X 80°B	0.65 X 80°B* (H)	140	S-6 / B-0	5880	F6	2¾"	AF50YB			
PLE	AFII 100	0.50 X 70°B	-	175			AF2-6	#3	HLX50HD	3	580462	
PLE	AFII 100	0.50 X 70°B	-	140			AF2-6	#3	HLX50HD	3	580462	
PLE	AFII 100	0.65 X 60°B	-	140			AF2-6	#3	HLX50HD	3	580462	

Axeman-Anderson

Model	Burner	Nozzle	Alt. Nozzle	Pump (PSIG)	Air Settings	Baffle	Head	Static Plate / Stop Screw	Air Tube Combination	Depth	Welded Insertion	See note
108NPO	AFG	1.50 X 60°B		100			V1-2	2¾"	AFG50MD			
108NPO-DVSC	AFII 150	1.25 X 70°B	-	140			AF2-9	#8	HLX50HC		580414	45
108NPOU	AFG	1.25 X 70°B		100			V1-1	2¾"	AFG50MD			
108PO-2	AF	1.35 X 80°B		100			F6	2¾"	AF44YB			
108PO-2	AFG	1.35 X 80°B		100			F6	3½"	AF44ZG			
108POU-2	AF	1.00 X 80°B		100			F3	2¾"	AF44XN			
108POU-2	AFG	1.00 X 80°B		100			F3	3½"	AF44ZP			
128NPO	AFG	1.65 X 60°B		100			V1-2	2¾"	AFG50MD			
128NPOU	AFG	1.50 X 60°B		100			V1-2	2¾"	AFG50MD			
128PO-2	AF	1.65 X 80°A		100			F12	2¾"	AF44XO			
128PO-2	AFG	1.65 X 80°A		100			F12	3½"	AF44JF			
128POU-2	AF	1.35 X 80°A		100			F6	2¾"	AF44YB			
128POU-2	AFG	1.35 X 80°A		100			F6	3½"	AF44ZG			
149PO-2	AF	2.00 X 60°A		100			F22	2¾"	AF44XP			
149PO-2	AFG	2.00 X 60°A		100			V1-5	2¾"	AFG50MD			
149POU-2	AF	1.75 X 60°A		100			F12	2¾"	AF44XO			
149POU-2	AFG	1.75 X 60°A		100			V1-5	2¾"	AFG50MD			
189PO-2	AF	2.50 X 60°A		100			F22	2¾"	AF44XP			
189PO-2	AFG	2.50 X 60°A		100			V1-5	2¾"	AFG50MD			
74NPO	AFG	1.00 X 60°B	-	140			V1-1	2¾"	AFG50MD	1¾"	580488	
74NPO-DVSC	AFII 150	1.00 X 70°B	-	140	5		AF2-9	#4	HLX50HC	2	580414	45
74NPOU	AFG	0.75 X 70°B	0.75 X 60° B* (H)	140			V1-0	2¾"	AFG50MD	1¾"	580488	
74PO-2	AF	1.00 X 80°B		100			F3	2¾"	AF44XN			
74PO-2	AFG	1.00 X 80°B		100			F3	3½"	AF44ZP			
74POU-2	AF	0.75 X 80°B		100			F3	2¾"	AF44XN			
74POU-2	AFG	0.75 X 80°B		100			F3	3½"	AF44ZP			
87NPO	AFG	1.10 X 60°B	1.10 X 60°B* (H)	140			V1-2	2¾"	AFG50MD	1¾"	580488	
87NPO-DVSC	AFII 150	1.10 X 70°B		140			AF2-9	#4	HLX50HC		580414	45
87NPOU	AFG	1.00 X 60°B	1.00 X 60°B* (H)	140			V1-1	2¾"	AFG50MD	1¾"	580488	
87PO-2	AF	1.10 X 80°B		100			F3	2¾"	AF44XN			
87PO-2	AFG	1.10 X 80°B		100			F3	3½"	AF44ZP			

Axeman-Anderson Cont.

Model	Burner	Nozzle	Alt. Nozzle	Pump (PSIG)	Air Settings	Baffle	Head	Static Plate / Stop Screw	Air Tube Combination	Depth	Welded Insertion	See note
87POU-2	AF	0.85 X 80°B		100			F3	2¼"	AF44XN			
87POU-2	AFG	0.85 X 80°B		100			F3	3½"	AF44ZP			
A,EA113W	AF	1.35 X 80°A		100			F6	2¼"	AF60YB			
A,EA139W	AF	1.65 X 80°B		100			F6	2¼"	AF60YB			
A,EA165W	AF	2.00 X 80°B		100			F16	NONE	AF60WK			
A,EA196W	AF	2.25 X 70°B		100			F220	NONE	AF54YG			
A,EA226W	AF	2.50 X 70°B		100			F220	NONE	AF54YG			
A,EA87W	AF	1.00 X 80°B		100			F3	2¼"	AF60XN			
B76	NX	0.40 X 60°W	0.40 X 60°W (H)	190	3	32229	6-Slot		NX56LQ	2½"		
C,EC120S	AF	1.65 X 80°B		100			F6	2¼"	AF60YB			
C,EC142S	AF	2.00 X 80°B		100			F16	NONE	AF60WK			
C,EC165S	AF	2.25 X 70°B		100			F220	NONE	AF54YG			
C,EC195S	AF	2.50 X 70°B		100			F220	NONE	AF54YG			
C,EC75S	AF	1.00 X 80°B		100			F3	2¼"	AF60XN			
C,EC97S	AF	1.35 X 80°A		100			F6	2¼"	AF60YB			
OL105-DVSC	AFII 85	0.65 X 60°B	-	140	7		AF2-9	#0	HLX50HC	2"	580414	45
OL119	AFG	0.75 X 70°B		140		5880	F3	3¾"R	AF44BN	2"		
OL91	AFG	0.60 X 70°B		140		5880	F3	3¾"	AF44YH	1¾"		
OL91	AFG	0.60 X 70°B	0.60 X 60°NS	140		5880	L1	3¾"	AFG70MBAQ	1¾"	58020200	37
PVT105B	AFG	0.75 X 80°B	0.75 X 80°B* (H)	100			F3	3½"	AF53ZP	1¾"	58020053	
PVT119B	AFG	0.85 X 80°B	0.85 X 80°B* (H)	100			F3	3½"	AF53ZP	1¾"	58020053	
PVT119H	AFG	0.85 X 80°B	0.85 X 80°B* (H)	100			F3	3½"	AF53ZP	1¾"	58020053	
PVT140H	AFG	1.00 X 80°B	1.00 X 80°B* (H)	100			F3	3½"	AF53ZP	1¾"	58020053	
PVT154H	AFG	1.10 X 80°B	1.10 X 80°B* (H)	100			F6	3½"	AF53ZG	1¾"	58020054	
PVT175H	AFG	1.25 X 80°B	1.25 X 80°B* (H)	100			F6	3½"	AF53ZG	1¾"	58020054	
PVT189H	AFG	1.35 X 80°B	1.35 X 80°B* (H)	100			F6	3½"	AF53ZG	1¾"	58020054	
PVT210H	AFG	1.50 X 80°B	1.50 X 80°B* (H)	100			F6	3½"	AF53ZG	1¾"	58020054	

Bard Manufacturing

Model	Burner	Nozzle	Alt. Nozzle	Pump (PSIG)	Air Settings	Baffle	Head	Static Plate / Stop Screw	Air Tube Combination	Depth	Welded Insertion	See note
0C125D36A	AR	1.00 X 80° S		100			R4	2¼"	AR53XZ			23
0C125D36A	AR	1.10 X 80° S		100			R4	2¼"	AR53XZ			23
0C95D36A	AR	0.75 X 80° S		100			R4	2¼"	AR53XZ			23
0C95D36A	AR	0.85 X 80° S		100			R4	2¼"	AR53XZ			23
0H125B48A	AR	1.00 X 80°S		100			R4	2¼"	AR53XZ			23
0H125B48A	AR	1.10 X 80°S		100			R4	2¼"	AR53XZ			23
0H225B96A	SF	2.00 X 70° B		100			F220	2¼"	SF53FY			
0H275B108A	SF	2.50 X 60° B		100			F220	2¼"	SF53FY			
0H350B120A	SF	3.00 X 70° B		100			F310	NONE	SF53FT			
0H450B144A	SF	4.00 X 60° B		100			F310	NONE	SF53FT			
0H95D36A	AR	0.75 X 80°S		100			R4	2¼"	AR53XZ			23
0H95D36A	AR	0.85 X 80°S		100			R4	2¼"	AR53XZ			23
0L125B48A	AR	1.00 X 80°S		100			R4	2¼"	AR53XZ			23
0L125B48A	AR	1.10 X 80°S		100			R4	2¼"	AR53XZ			23
0L140B48A	AF	1.25 X 80°S		100			F12	2¼"	AF65XO			
0L196B60A	AF	1.50 X 80°S		100			F12	2¼"	AF65XO			
0L196B60A	AF	1.75 X 80°S		100			F12	2¼"	AF65XO			
0L95B36A	AR	0.75 X 80°S		100			R4	2¼"	AR53XZ			23
0L95B36A	AR	0.85 X 80°S		100			R4	2¼"	AR53XZ			23
0S125D48A	AR	1.10 X 80° S		100			R4	2¼"	AR53XZ			23
0S140B48A	AF	1.25 X 80° S		100			F12	2¼"	AF65XO			
0S196B60A	AF	1.50 X 80° S		100			F12	2¼"	AF65XO			
0S196B60A	AF	1.75 X 80° S		100			F12	2¼"	AF65XO			

Bard Manufacturing Cont.

Model	Burner	Nozzle	Alt. Nozzle	Pump (PSIG)	Air Settings	Baffle	Head	Static Plate / Stop Screw	Air Tube Combination	Depth	Welded Insertion	See note
0S95D36A	AR	0.75 X 80° S		100			R4	2 3/4"	AR53XZ			23
0S95D36A	AR	0.85 X 80° S		100			R4	2 3/4"	AR53XZ			23
FC085D36(A, C)	AF	0.65,0.75 X 80°H		100	S-5 / B-0		F3	3 3/8"	AF90YH	7 5/8"		
FC085D36D	AFG	0.65,0.75 X 70°A	0.65,0.75 X 70°B* (H)	100	S-6 / B-0		F4	3 3/8"	AF90WP	7 5/8"		
FDS055D36A	AFG	0.50 X 80°S		100		5880	F3	3 3/8"	AF47YHFS			1
FDS075D36A	AFG	0.75 X 70°H		100		5880	F3	3 3/8"	AF47YHFS			1
FDS100D48A	AFG	0.90 X 70°H		100		5880	F3	3 3/8"	AF47YHFS			1
FDS125D48A	AFG	1.10 X 70°H		100		5880	F6	2 3/4"	AF67YBFS			1
FH085D36(B, C)	AF	0.65 X 70°A	-	100	S-5 / B-0		F3	3 1/2"	AF90YH	7 5/8"		
FH085D36D	AFG	0.65,0.75 X 70°A	0.65,0.75 X 70°B* (H)	100	S-6 / B-0		F4	3 3/8"	AF90WP	7 5/8"		
FH110D(48, 60) (B, C)	AF	0.85,1.00 X 80°H		100	S-5 / B-0		F3	3 3/8"	AF90YH	7 5/8"		
FH110D(48, 60)D	AFG	0.85,1.00 X 70°A	0.85,1.00 X 70°B* (H)	100	S-10 / B-2		F6	3 3/8"	AF90YY	7 5/8"		
FHF110D48D	AFG	0.85,1.00 X 70°A		100	S-10 / B-2		F6	3 3/8"	AF90YY	7 5/8"		
FL110D48(B, C)	AF	0.85,1.00 X 80°H		100	S-5 / B-0		F3	3 3/8"	AF72YH	7 5/8"		
FLF075	NX	0.50 X 60° B* (H)	0.50 X 60° B	175	2.5	32229	9-Slot		NX84LBHS	7 1/2"	58020253	55
FLF085D36(A, C)	AF	0.65,0.75 X 80°H		100	S-5 / B-0		F3	3 3/8"	AF90YH	7 5/8"		
FLF085D36D	AFG	0.65,0.75 X 70°A	0.65,0.75 X 70°B* (H)	100	S-6 / B-0		F4	3 3/8"	AF90WP	7 5/8"		
FLF110D48(A, C)	AF	0.85,1.00 X 80°H		100	S-5 / B-0		F3	3 3/8"	AF90YH	7 5/8"		
FLF130	NX	0.85 X 60° B	0.85 X 60° B* (H)	150	3.75		9-Slot		NX84LBHS	7 1/2"	58020253	55
FLR 100	NX	0.75 X 60° B	0.75 X 60° B* (H)	150	3.25		9-Slot		NX64LBHS	5 3/4"		55
FLR075	NX	0.50 X 60° B* (H)	0.50 X 60° B	175	2.5	32229	9-Slot		NX64LBHS	5 3/4"		55
FLR085D36(A, C)	AF	0.65,0.75 X 80°H		100	S-5 / B-0		F3	3 3/8"	AF72YH	5 1/2"		
FLR085D36(C, D)	AFG	0.65,0.75 X 70°A	0.65,0.75 X 70°B* (H)	100	S-5 / B-0		F4	3 3/8"	AF67WP	5 1/2"		
FLR110D48(A, C)	AF	0.85,1.00 X 80°H		100	S-5 / B-0		F3	3 3/8"	AF72YH	5 1/2"		
FLR110D48(C, D)	AFG	0.85,1.00 X 70°A	0.85,1.00 X 70°B* (H)	100	S-8 / B-0		F6	3 3/8"	AF67YY	5 1/2"		
FLR130	NX	0.85 X 60° B	0.85 X 60° B* (H)	150	3.75		9-Slot		NX64LBHS	5 3/4"		55
FLR140D60(A, C)	AF	1.10,1.25 X 80°H		100	S-5 / B-0		F4	2 3/4"	AF72WH	5 1/2"		
FLR140D60(C, D)	AFG	1.10,1.25 X 70°A	1.10,1.25 X 70°B* (H)	100	S-6 / B-0		F6	3 3/8"	AF67YY	5 1/2"		
FUS150D60B	AFG	1.35 X 70°H		100			F12	2 3/4"	AF67XOFS			1
FUS175D60A	AFG	1.50 X 70°H		100			F12	2 3/4"	AF67XOFS			1
FUS200D60B	AFG	1.75 X 70°H		100			F12	2 3/4"	AF67XOFS			1
SOF075D36A	AFG	0.50 X 70°H		100			F3	2 3/4"	AF72XN			
SOF100D36A	AFG	0.75 X 70°H		100			F3	2 3/4"	AF72XN			
SOF120D48A	AFG	0.85 X 70°H		100			F3	2 3/4"	AF72XN			
SOF140D60A	AFG	1.10 X 70°H		100			F3	2 3/4"	AF72XN			
SOF175D60A	AFG	1.35 X 70°H		100			F12	2 3/4"	AF72XO			
SOF265B90A	AFG	2.00 X 70°H		100			F31	NONE	AF72XSSS			27

Benjamin Htg. Products

Model	Burner	Nozzle	Alt. Nozzle	Pump (PSIG)	Air Settings	Baffle	Head	Static Plate / Stop Screw	Air Tube Combination	Depth	Welded Insertion	See note
OB-1000	AFG	0.65 X 60°B	0.65 X 60°B* (H)	140	S-10 / B-1		L1	3 3/8"	AFG50MB	3 1/4"		
OB-1000	AFG	0.75 X 60°B	0.75 X 60°B* (H)	140	S-7 / B-1		L1	3 3/8"	AFG50MB	3 1/4"		
OB-1000	AFG	0.85 X 60°B	0.85 X 60°B* (H)	140	S-10 / B-1		L1	3 3/8"	AFG50MB	3 1/4"		
OB-1000	AFG	1.10 X 60°B		140	S-10 / B-2		V1-0	2 3/4"	AFG50MD	3 1/4"		
OB-1000	AFG	1.25 X 60°B	1.25 X 60°B* (H)	150	S-10 / B-3		V1-2	2 3/4"	AFG50MD	3 1/4"		
OB1000-B105	AFII 85	0.75 X 70°A		140	8		AF2-6	#5	HLX50HD	2 3/4"		
OB1000-B120	AFII 150	0.85 X 60°B		140	6		AF2-9	#0	HLX50HC	2 3/4"		
OB1000-B150	AFII 150	1.00 X 60°B		140	4		AF2-9	#5	HLX50HC	2 3/4"		
OB1000-B180	AFII 150	1.25 X 70°B		140	5		AF2-9	#8	HLX50HC	2 3/4"		

Benjamin Htg. Products Cont.

Model	Burner	Nozzle	Alt. Nozzle	Pump (PSIG)	Air Settings	Baffle	Head	Static Plate / Stop Screw	Air Tube Combination	Depth	Welded Insertion	See note
OB1000-B90	AFII 85	0.65 X 70°A		140	7		AF2-6	#4	HLX50HD	2¼"		

Biasi / Neca / Vega / QHT

Model	Burner	Nozzle	Alt. Nozzle	Pump (PSIG)	Air Settings	Baffle	Head	Static Plate / Stop Screw	Air Tube Combination	Depth	Welded Insertion	See note
B10/3	NX	0.50 X 60°A		180	0.75	32229	6-Slot		NX70LC	3½"	58020213	15
B10/3	AFG	0.50 X 60°B		180	S-8 / B-0	5880	L2	3¾"	AFG70MQASN	2¼"	58020201	9, 16
B10/3 - DV	NX	0.50 X 60°A	0.50 X 60°H	180	1.25	32229	6-Slot	-	NX70LC	3½"	58020213	3, 15
B10/4	NX	0.65 X 60°B	0.65 X 60°B* (H)	180	2.75	32229	9-Slot		NX90LB	6"	58020214	40
B10/4	AFG	0.75 X 60°B	0.75 X 60°B* (H)	150	S-10 / B-0		L2	3¾"	AFG70MQASN	2¼"	58020201	9, 16
B10/4 - DV	NX	0.65 X 60°B	0.65 X 60°B* (H)	180	3	32229	9-Slot		NX90LB	6"	58020214	3, 40
B10/5	NX	0.75 X 60°B		180	3.75	32229	9-Slot		NX90LB	6"	58020214	40
B10/5	AFG	0.75 X 60°B	0.75 X 60°B* (H)	175	S-7 / B-0		V1-0	2¼"	AFG90MDASN	6"	58020262	9
B10/5 - DV	NX	0.75 X 60°B	0.75 X 60°B* (H)	180	4	32229	9-Slot		NX90LB	6"	58020214	3, 40
B10/6	NX	0.90 X 60°W	0.90 X 60°B* (H)	180	3.75		9-Slot		NX90LB	6"	58020214	40
B10/6	AFG	1.10 X 60°B	1.10 X 60°B* (H)	125	S-10 / B-1		V1-0	2¼"	AFG70MDASN	3½"	58020241	9
B10/6 - DV	NX	0.90 X 60°W	0.90 X 60°B* (H)	180	4.25		9-Slot		NX90LB	6"	58020214	3, 40
B10/7	AFG	1.35 X 60°B	1.35 X 60°B* (H)	125	S-10 / B-3		V1-2	2¼"	AFG70MDASN	3½"	58020241	9
B406	CF375	1.75 X 60°ES		140	S-9 / B-0		SL1-0		CF56KZ	4½"		
B407	CF500	2.25 X 60°B		140	S-3 / B-1		V1-2		CF60KK	4½"		
B408	CF500	2.75 X 45°P		140	S-7 / B-0		V1-2		CF60KK	4½"		
B409	CF500	3.00 X 30°P		150	S-10 / B-0		V1-4		CF60KK	4½"		
B410	CF800	3.50 X 30°P		150	S-7 / B-0		KH-1		CF60KH	4½"		
B411	CF800	4.00 X 45°B		140	S-8 / B-0		KH-2		CF60KH	4½"		
B412	CF800	4.50 X 45°B		140	S-10 / B-2		KHS-2		CF60KHS	4½"		
G/B10	AFG	1.25 X 45°B		140	S-7 / B-0		V1-1	2¼"	AFG50MD	2¼"		
G/B4	AFII 150	0.65 X 60°A	0.65 X 70°R	160	4		AF2-9	#3	HLX50HD	2¼"		
G/B4	AFII 150	0.75 X 60°A		150	4		AF2-9	#3	HLX50HD	2¼"		
G/B4	AFG	0.65 X 60°B		140	S-7 / B-0		L1	3¾"	AFG70MB	2¼"		
G/B4	AFG	0.80 X 60°A	0.80 X 60°AR	100	S-8 / B-0		L1	3¾"	AFG50MB	2¼"		
G/B4 - D.V.	AFII 150	0.65 X 60°A		160	3		AF2-6	#3	HLX50HD	2¼"		3
G/B5	AFII 150	0.85 X 45°B		140	3		AF2-6	#4	HLX50HB	2¼"		
G/B5	AFII 150	0.85 X 45°B		170	3		AF2-6	#4	HLX50HB	2¼"		
G/B5	AFG	0.85 X 60°B		140	S-8 / B-0		L1	3¾"	AFG70MB	2¼"		
G/B5 - D.V.	AFII 150	0.85 X 60°B		140	4		AF2-6	#4	HLX50HB	2¼"		3
G/B6	AFII 150	1.00 X 60°B		160	4		AF2-9	#5	HLX50HC	2¼"		
G/B6	AFII 150	1.10 X 60°B	1.10 X 60°AR	160	4		AF2-9	#8	HLX50HC	2¼"		
G/B6	AFG	1.10 X 60°B	1.10 X 60°AR	140	S-10 / B-5		V1-0	2¼"	AFG50MD	2¼"		
G/B6	AFG	1.00 X 60°B		140	S-8 / B-0		V1-1	2¼"	AFG70MD	2¼"		
G/B6 - D.V.	AFII 150	1.00 X 60°B	1.00 X 60°B (B)	160	6		AF2-9	#5	HLX50HC	2¼"		3
G/B7	AFG	1.25 X 60°B		140	S-10 / B-5		V1-1	2¼"	AFG70MD	2¼"		
Neca M 4	AFG	0.60 X 60°B		140	S-7 / B-0		L1	3¾"	AFG70MB			
Neca M 5	AFG	0.75 X 60°B		140	S-7 / B-0		L1	3¾"	AFG70MB			
Neca M 6	AFG	0.85 X 60°B		140	S-10 / B-5		V1-0	2¼"	AFG70MD			
Neca M 7	AFG	1.10 X 60°B		140	S-10 / B-5		V1-1	2¼"	AFG70MD			
Neca MA 6	AFG	1.10 X 60°B		140	S-10 / B-5		V1-1	2¼"	AFG70MD			
Neca MA 7	AFG	1.50 X 60°B		140	S-10 / B-5		V1-3	2¼"	AFG70MD			
Neca MA 8	AFG	1.75 X 60°B		140	S-10 / B-5		V1-3	2¼"	AFG70MD			
SG2	NX	0.50 X 60°A		170	1.25	32229	9-Slot		NX70LC	3½"	58020213	15
SG2 - DV	NX	0.50 X 60°A	0.50 X 60°H	170	1.5	32229	9-Slot		NX70LC	3½"	58020213	3, 15
SG3	NX	0.75 X 60°B		180	2.5		9-Slot		NX90LB	6"	58020214	40
SG3 - DV	NX	0.75 X 45°B* (H)	0.75 X 45°B	180	3.5		9-Slot		NX90LB	6"	58020214	3, 31, 40
SG35	AFII 150	0.85 X 60°B		140	5		AF2-9	#2	HLX70HC	5"		
SG35 - D.V.	AFII 150	0.85 X 60°B		140	5		AF2-9	#2	HLX70HC	5"		3

Biasi / Neca / Vega / QHT Cont.

Model	Burner	Nozzle	Alt. Nozzle	Pump (PSIG)	Air Settings	Baffle	Head	Static Plate / Stop Screw	Air Tube Combination	Depth	Welded Insertion	See note
SG4	NX	1.00 X 60°B* (H)	1.00 X 60°B	170	4.5		9-Slot		NX90LB	6"	58020214	31, 40
SG4 - DV	NX	1.00 X 60°B* (H)	1.00 X 60°B	170	4.25		NX-9		NX90LB	6"	58020214	3, 31, 40
SG46	AFII 150	1.00 X 60°B		160	5		AF2-6	#7	HLX70HD	5"		
SG46 - D.V.	AFII 150	1.00 X 60°B		160	5		AF2-6	#7	HLX70HD	5"		3

Bock Water Heater

Model	Burner	Nozzle	Alt. Nozzle	Pump (PSIG)	Air Settings	Baffle	Head	Static Plate / Stop Screw	Air Tube Combination	Depth	Welded Insertion	See note
120E	AF	1.00 X 80°A		100	S-3 / B-3		F3	3 3/8"	AF56YH	5 1/8"	580353	24
32E	AF	0.75 X 80°A	0.75 X 80°B	100	S-7 / B-0		F3	3 3/8"	AF56YH	5 1/8"	580353	24
32PP	AF	0.75 X 80°A		100	S-7 / B-0		F3	3 3/8"	AF56YH	5 1/8"	580353	24
33E	AF	0.75 X 80°A		100	S-7 / B-0		F3	3 3/8"	AF56YH	5 1/8"	580353	24
40E	AF	0.85 X 80°A		100	S-5 / B-3		F3	3 3/8"	AF56YH	5 1/8"	580353	24
50ES	AF	1.00 X 80°A	1.00 X 80°W	100	S-3 / B-3		F3	3 3/8"	AF56YH	5 1/8"	580353	24
51E(EC)	AF	1.00 X 80°A	1.00 X 80°W	100	S-3 / B-3		F3	3 3/8"	AF56YH	5 1/8"	580353	24
51PP	AF	1.00 X 80°A	1.00 X 80°W	100	S-3 / B-3		F3	3 3/8"	AF56YH	5 1/8"	580353	24
71E	AF	1.25 X 80°B		100	S-5 / B-5		F6	3 3/8"R	AF56WN	5 1/8"	58020202	24
72E	AF	1.50 x 80°B	1.50 x 80°B(H)	100	S-10/B-0		F12	2-3/4"	AF72XOSS	5-1/2"		24

Boyetown Furnace / Hallmark / Regal

Model	Burner	Nozzle	Alt. Nozzle	Pump (PSIG)	Air Settings	Baffle	Head	Static Plate / Stop Screw	Air Tube Combination	Depth	Welded Insertion	See note
CF85	AFG	0.65 X 80°A		140	S-7 / B-0	5880	F3	3 3/8"	AF90YH	5 5/8"	580436	
COX225	AFG	1.65 X 70°B		140			F12	2 3/4"	AF90XO			
COX300	AFG	2.00 X 70°A		140			F220	2 3/4"	AF90YD			
COX400	CF375	3.00 X 70°P		140	S-10 / B-6		SL1-5		CF100KZ			
HB112	AF	0.85 X 80°A		100			F3	2 3/4"	AF65XN	5 1/4"	580342	
HB115	AFG	0.85 X 80°A	0.85 X 80°NS	140	S-8 / B-0	5880	F4	3 3/8"	AF90WP	5 5/8"	580437	
HB125	AFG	1.10 X 70°A		100		5880	F6	2 3/4"	AF67YBHS			2
HB140	AF	1.10 X 80°A		100			F3	2 3/4"	AF65XN			
HB145	AFG	0.90 X 80°A	0.90 X 80°B* (H)	175	S-10 / B-0		F6	2 3/4"	AF90YB	5 5/8"		
HB160	AFG	1.00 X 80°A	1.00 X 80°B* (H)	175	S-10 / B-0		F6	2 3/4"	AF90YB	5 5/8"		
HB168	AF	1.35 X 80°A		100			F6	2 3/4"	AF65YB			
HB84	AF	0.75 X 80°A		100			F3	2 3/4"	AF65XN			
HB85	AFG	0.65 X 70°A		140	S-5 / B-0	5880	F3	3 3/8"	AF90YH	5 5/8"	580436	
HB95	AF	0.85 X 80°B		100			F3	3 1/2"	AF65WR			
HBD112C	AF	0.85 X 80°A		100			F3	2 3/4"	AF65XN			
HBD84C	AF	0.75 X 80°A		100			F3	2 3/4"	AF65XN			
HS112	AF	0.75 X 80°A		140	S-4 / B-0		F4	2 3/4"	AF65WH	5 1/4"	58020162	
HS140	AF	0.90 X 80°A		140	S-7 / B-0		F6	2 3/4"	AF65YB	5 1/4"		
HS84	AF	0.65 X 80°A	0.65 X 80°B* (H)	140	S-6 / B-0	5880	F4	2 3/4"	AF65WH	5 1/4"	58020162	
HSD112C	AF	0.75 X 80°A		140	S-4 / B-0		F4	2 3/4"	AF65WH	5 1/4"	58020162	
HSD140C	AF	0.90 X 80°A		140	S-7 / B-0		F6	2 3/4"	AF65YB	5 1/4"		
HSD84C	AF	0.65 X 80°A		140	S-6 / B-0	5880	F4	2 3/4"	AF65WH	5 1/4"		
HSLD112	AF	0.75 X 80°A		140	S-4 / B-0		F4	2 3/4"	AF65WH			
HSLD140	AF	0.90 X 80°A	0.90 X 80°B* (H)	140	S-7 / B-0		F6	2 3/4"	AF65YB			
HSLD84	AF	0.65 X 80°A		140	S-6 / B-0	5880	F4	2 3/4"	AF65WH			
LB112	AF	0.85 X 80°A		100			F3	2 3/4"	AF65XN			
LB115	AFG	0.85 X 80°A	0.85 X 80°NS	100	S-8 / B-0	5880	F4	3 3/8"	AF90WP	5 5/8"	580437	
LB125	AFG	1.10 X 70°A		100		5880	F6	2 3/4"	AF67YBHS			2
LB140	AF	1.25 X 80°A	1.25 X 80°AR	100			F3	2 3/4"	AF90XN			
LB145	AFG	0.90 X 80°A	0.90 X 80°B* (H)	175	S-10 / B-0		F6	2 3/4"	AF90YB	5 5/8"		
LB160	AFG	1.00 X 80°A	1.00 X 80°B* (H)	175	S-10 / B-0		F6	2 3/4"	AF90YB	5 5/8"		

Boyertown Furnace / Hallmark / Regal Cont.

Model	Burner	Nozzle	Alt. Nozzle	Pump (PSIG)	Air Settings	Baffle	Head	Static Plate / Stop Screw	Air Tube Combination	Depth	Welded Insertion	See note
LB168	AF	1.35 X 80°A		100			F6	2¼"	AF65YB			
LB84	AF	0.75 X 80°A		100			F3	2¼"	AF65XN			
LB85	AFG	0.65 X 80°A		140	S-7 / B-0	5880	F3	3¾"	AF90YH	5½"	580436	2
LB95	AF	0.85 X 80°B		100			F3	3½"	AF65WR			
LBD112C	AF	0.85 X 80°A		100			F3	2¼"	AF65XN			
LBD84C	AF	0.75 X 80°A		100			F3	2¼"	AF65XN			
REGAL 1250	AFG	1.25 X 80°B		100	S-9 / B-0		F6	2¼"	AF90YBHSSS	7¼"		2, 27
REGAL 600	AFG	0.60 X 80°B		100	S-4 / B-0		F3	3¾"	AF65YHHSSS	5¼"		2, 27
REGAL 850	AFG	0.85 X 80°B		100	S-9 / B-0		F3	3¾"	AF65YHHSSS	5½"	58020176	2, 27
REGAL1000	AFG	1.00 X 80°B	1.00 X 80°B (B)	100	S-5 / B-0		F6	2¼"	AF90YBHSSS	7¼"	58020294	2, 27
REGAL750	AFG	0.75 X 80°B	0.75 X 80°B* (H)	100	S-7 / B-0	5880	F3	3¾"	AF65YHHSSS	5½"	58020176	2, 27
RSM 500	AFG	0.40 X 60°W	0.40 X 60°B	175	S-5 / B-0	5880	L2	3¾"	AFG90MQSS	4¼"		8, 10, 16
RSM 600	AFG	0.50 X 60°W	0.50 X 60°B	150	S-7 / B-0	5880	L2	3¾"	AFG90MQSS	4¼"		8, 10, 16
RSM 750	AFG	0.60 X 60°B	0.60 X 60°W	150	S-10 / B-2	5880	L2	3¾"	AFG90MQSS	4¼"		8, 10, 16
RSM 850	AFG	0.65 X 60°B	0.65 X 60°B* (H)	175		5880	V1-0	2¼"	AFG90MDASN	5¼"		9
RSM 1005	AFG	0.75 X 60°B	0.75 X 60°B* (H)	175	S-8 / B-0		V1-0	2¼"	AFG90MDASN	5¼"		9, 62
RSM 1105	AFG	0.85 X 60°B	0.85 X 60°B* (H)	175			V1-1	2¼"	AFG90MDASN	5¼"		9
SOLAIA 3	NX	0.60 X 60°B	0.60 X 60°B* (H)	160	1.5		6-SLOT		NX90LC	4¼"	58020210	
SOLAIA 3	AFG	0.60 X 70°B* (H)	0.60 X 70°B	160	S-6 / B-0		L2	3¾"	AFG90MQAQ	5¼"	58020219	31, 16, 37
SOLAIA 4	NX	0.85 X 60°B	0.85 X 60°B* (H)	140	3		6-SLOT		NX90LC	4¼"	58020210	
SOLAIA 4	AFG	0.85 X 60°B* (H)	0.85 X 60°B	140	S-10 / B-1		L2	3¾"	AFG90MQAQ	5¼"	58020219	31, 16, 37
SOLAIA 5	NX	1.00 X 60°B	1.00 X 60°B* (H)	150	4		6-SLOT		NX90LC	4¼"	58020210	
SOLAIA 6	NX	1.25 X 45°B	1.25 X 45°B* (H)	140	2		9-SLOT		NX90LD	4¾"	58020267	
SOLAIA 7	CF375	1.35 X 45°B	1.35 X 45°B* (H)	150	S-9 / B-0		V1-1		CF65KY	2"		

Bradford White

Model	Burner	Nozzle	Alt. Nozzle	Pump (PSIG)	Air Settings	Baffle	Head	Static Plate / Stop Screw	Air Tube Combination	Depth	Welded Insertion	See note
30 OFB	AF	0.60 X 70°B		100			F0	3¾"	AF72XM			
32 OFB	AF	0.65 X 80°A		100	7/0	-	F0	3-3/8"	AF60XR	4-7/8"	580397	
50 OFB	AF	0.75 X 80°A		100	S-7 / B-0		F0	3¾"	AF65XR	5½"	580398	
70 OFB	AF	1.00 X 80°A		100	S-7 / B-0		F3	2¼"	AF72XN	6½"	58020093	
CF100	SF	2.50 X 80°B	2.50 X 80°P	100	S-5 / B-0		F22	2¼"	SF90VPSS	6¼"		27, 40
CF100	SF	3.00 X 80°B	3.00 X 80°P	100	S-8 / B-0		F22	2¼"	SF90VPSS	6¼"		27, 40
CF32	AFG	0.65 X 80°B	0.65 X 80°B* (H)	100	S-7 / B-0	5880	F3	3¾"	AF72YH	5-1/6"	58020142	40
CF38	AFG	1.75 X 80°B* (H)		100	S-2 / B-5		F22	NONE	AF90YF	6¼"		31, 40
CF50	AFG	0.75 X 80°B	0.75 X 80°B* (H)	100	S-8 / B-0	5880	F3	3¾"	AF90YH	7"	58020143	40
CF70	AFG	0.85 X 80°B	0.85 X 80°B* (H)	100	S-10 / B-0	5880	F3	2¼"	AF90XN	7"		40
CF80	SF	3.50 X 80°B	3.50 X 80°P	100	S-7 / B-0		F31	2¼"	SF90FH	6¼"		
RF50	AFG	1.35 X 80°B* (H)	1.35 X 80°B	100	S-8 / B-1		F6	2¼"	AF90YB	7½"		31, 40
RF50	AFG	1.25 X 80°B	1.25 X 80°B* (H)	100	S-8 / B-0		F6	2¼"	AF90YB	7½"	58020312	40
RF70	AFG	1.50 X 80°B* (H)	1.50 X 80°B	100	S-10 / B-1		F12	2¼"	AF104XO	8½"		31, 40
RF70	AFG	1.75 X 80°B* (H)	1.75 X 80°B	100	S-10 / B-2		F12	2¼"	AF104XO	8½"		31, 40

Bryan Steam Corp.

Model	Burner	Nozzle	Alt. Nozzle	Pump (PSIG)	Air Settings	Baffle	Head	Static Plate / Stop Screw	Air Tube Combination	Depth	Welded Insertion	See note
250	CF375	1.50 X 60°ES		140	S-10 / B-1		SL1-1		CF56KZ	5"		
350	CF375	2.00 X 60°P		190	S-10 / B-2		SL1-3		CF56KZ	5"		
450	CF500	2.50 X 45°P		150	S-4 / B-0		V1-4		CF100KK	5"		
650	CF800	4.00 X 60°B		140	S-7 / B-0		KH-3		CF100KH	5½"		
850	CF800	5.00 X 45°B		150	S-7 / B-0		KJ-2		CF100KJ	5½"		
D250	AF	1.50 X 80°B		100			F12	2¼"	AF44XO			
D350	AF	2.00 X 80°A		100			F22	2¼"	AF44XP			

Bryan Steam Corp. Cont.

Model	Burner	Nozzle	Alt. Nozzle	Pump (PSIG)	Air Settings	Baffle	Head	Static Plate / Stop Screw	Air Tube Combination	Depth	Welded Insertion	See note
D450	SF	2.50 X 80°A		100			F22	NONE	SF90NH			
D650	SF	4.00 X 80°A		100			F310	NONE	SF90FT			

Bryant

Model	Burner	Nozzle	Alt. Nozzle	Pump (PSIG)	Air Settings	Baffle	Head	Static Plate / Stop Screw	Air Tube Combination	Depth	Welded Insertion	See note
361AAN036075	AFG	0.50 X 70°H		100		5880	F3	3¾"	AF47YHFS			1
361AAN036105	AFG	0.75 X 70°H		100		5880	F3	3¾"	AF47YHFS			1
361AAN048125	AFG	0.90 X 70°H		100		5880	F3	3¾"	AF47YHFS			1
361AAN060155	AFG	1.10 X 70°H		100		5880	F6	2¾"	AF67YBFS			1
362AAN036075	AFG	0.50 X 80°S		100		5880	F3	3¾"	AF47YHFS			1
362AAN036105	AFG	0.75 X 70°H		100		5880	F3	3¾"	AF47YHFS			1
362AAN048125	AFG	0.90 X 70°H		100		5880	F3	3¾"	AF47YHFS			1
362AAN060155	AFG	1.10 X 70°H		100		5880	F6	2¾"	AF67YBFS			1
367AAN105	AFG	0.65 X 70°B		130	S-8 / B-0		F3	3¾"R	AF53BN	2½"	58020265 / less head	
367AAN120	AFG	0.75 X 70°B		130	S-8 / B-1		F3	2¾"	AF53XN	2½"	58020265 / less head	
369AAN105	AFG	0.65 X 70°B		130	S-8 / B-0		F3	3¾"R	AF53BN	2½"	58020265 / less head	
369AAN120	AFG	0.75 X 70°B		130	S-8 / B-1		F3	2¾"	AF53XN	2½"	58020265 / less head	
OBM/OVM	NX	0.50 X 60°W	0.50 X 60°A	145	2.75	32229	6-Slot		NX56LQ	1¾"	58020258	40
OBM/OVM	NX	0.40 X 60°W	0.40 X 60°A	155	2	32229	6-Slot		NX56LQ	1¾"	58020258	40
OBM/OVM	NX	0.60 X 60°W	0.60 X 60°A	135	2.5		6-Slot		NZ56LQ	1¾"	58020258	40
OBM/OVM098	AFG	0.50 X 60°A	0.50 X 60°H	150	S-6 / B-0	5880	L2	3¾"	AFG70MQSS	1¾"	58020287	
OBM/OVM112	AFG	0.60 X 60°W	0.60 X 60°A	140	S-10 / B-0	5880	L2	3¾"	AFG70MQSS	1¾"	58020287	
OBM/OVM154	NX	0.75 X 60°B		160	2.5		6-Slot		NX50LC	1¾"	58020308	40

Buderus

Model	Burner	Nozzle	Alt. Nozzle	Pump (PSIG)	Air Settings	Baffle	Head	Static Plate / Stop Screw	Air Tube Combination	Depth	Welded Insertion	See note
105/21	AFII 85	0.65 X 45°W	0.65 X 45°Q	140	4		AF2-6	#3	HLX50HD			4
105/28	AFII 150	0.75 X 45°B	0.75 X 45°R	140	3		AF2-9	#0	HLX50HC			4
115/21	AFII 85	0.65 X 45°W	0.65 X 45°AR	140	4		AF2-6	#3	HLX50HD			4, 40
115/28	AFII 150	0.75 X 45°B	0.75 X 45°B* (H)	140	3		AF2-9	#0	HLX50HC		580354	4, 40
205/34	AFII 150	0.85 X 45°B	0.85 X 45°AS	140	4		AF2-9	#1	HLX50HC			4
205/42	AFII 150	1.00 X 60°B	1.00 X 45°B	140	5		AF2-9	#3	HLX50HC			4
205/50	AFII 150	1.25 X 60°AS	1.25 X 60°B	140	9		AF2-9	#8	HLX50HC			4
205/58	SMG	1.25 X 45°B	1.25 X 45°ES	150	S-3 / B-0		SV1-0		SMG60NR	3"		
205/66	SMG	1.50 X 45°B	1.50 X 45°ES	140	S-4 / B-0		SV1-1		SMG60NR	3"		4
305/115	SMG	2.75 X 45°AS	2.75 X 45°P	140	S-5 / B-0		SV1-4		SMG82NR	4"		4
305/80	SMG	2.00 X 45°AS	2.00 X 45°P	140	S-5 / B-0		SV1-2		SMG82NR	4"		4
305/95	SMG	2.25 X 45°AS	2.25 X 45°P	150	S-3 / B-0		SV1-3		SMG82NR	4"		
G-115-3 (21)	AFG	0.50 X 45°B	0.50 X 60°B* (H)	150	S-8 / B-0	5880	L2	3¾"	AFG90MQASN	6¼"	58020080	9, 16, 31
G-115-3 (21)	NX	0.50 X 60°W	0.50 X 60°AS	150	1	32229	6-Slot		NX70LC	4¾"	58020215	40
G-115-3 (21)	NX	0.60 X 60°W	0.60 X 60°W (H)	150	2.5	32229	6-Slot		NX70LC	4¾"	58020215	40
G-115-4 (28)	AFG	0.65 X 60°W	0.65 X 60°B	150	S-7 / B-0		L2	3¾"	AFG90MQASN	6¼"	58020080	9, 16, 31
G-115-4 (28)	NX	0.60 X 60°B	0.60 X 60°B* (H)	175	2.5	32229	6-Slot		NX70LC	4¾"	58020215	40
G-115-4 (28)	NX	0.75 X 60°B* (H)	0.75 X 60°B	165	3.5		6-Slot		NX70LC	4¾"	58020215	40
G115-5	AFG	0.85 X 60°B	0.85 X 60°B (B)	140	S-10 / B-3		L2	2¾"	AFG90MPASN		58020080	9, 16, 31
G115-5 (34)	AFII 150	0.85 X 60°B		145	4		AF2-9	#2	HLX50HC	3"	580354	40
G115-5 (34)	AFII 150	0.85 X 45°B		175			AF2-9	#2	HLX50HC	3"	580354	40
G-115-5 (34)	AFG	0.75 X 45°B	0.75 X 45°B* (H)	175	S-10 / B-2		L2	2-3/4"	AFG90MPASN	6¼"	58020080	9, 16, 31
G-115-5 (34)	NX	0.75 X 60°B	0.75 X 60°B* (H)	175	2.25		9-Slot		NX70LB	4¾"	58020216	40

Buderus Cont.

Model	Burner	Nozzle	Alt. Nozzle	Pump (PSIG)	Air Settings	Baffle	Head	Static Plate / Stop Screw	Air Tube Combination	Depth	Welded Insertion	See note
G-115-5 (34)	NX	0.85 X 60°W	0.85 X 60°W (H)	175	4		9-Slot		NX70LB	4 7/8"	58020216	40
G-215-3	AFG	0.90 X 45°B		170	S-8 / B-0		V1-0	NONE	AFG50ML	3 1/2"	58020163	40
G-215-4	AFG	1.10 X 45°ES	1.10 X 45°B	175	S-8 / B-2		V1-2	NONE	AFG50ML	3 1/2"	58020163	40
G-215-5	CF375	1.35 X 45°ES	1.35 X 45°B	170	S-8 / B-1		V1-2		CF56KY	3 1/2"	51514084	40
G-215-6	CF375	1.75 X 45°ES	1.75 X 45°B	140	S-7 / B-2		SL1-1		CF56KZ	3 1/2"	51514083	40
G-215-7	CF375	2.00 X 45°P	2.00 X 45°B	150	S-9 / B-3		SL1-1		CF56KZ	3 1/2"	51514083	40

Burnham / U.S. Boiler

Model	Burner	Nozzle	Alt. Nozzle	Pump (PSIG)	Air Settings	Baffle	Head	Static Plate / Stop Screw	Air Tube Combination	Depth	Welded Insertion	See note
C-3	AFG	0.60 X 80°A		140	S-4 / B-0		F3	3 3/8"	AF44YH	1-11/16"	580343	9
C-4	AFG	1.00 X 80°A		140	S-10 / B-0		F3	3 3/8"	AF44YH	1-11/16"	580343	9
LE1	AFG	0.50 X 70°B* (H)	0.50 X 70°B	140	S-5 / B-0	5880	L1	3 3/8"	AFG50MB	1 1/2"	580474	31
LE1	AFG	0.85 X 60°B* (H)	0.85 X 60°B	140	S-10 / B-0		L1	3 3/8"	AFG50MB	1 1/2"	580474	31
LE2	AFG	1.10 X 45°B	1.10 X 45°B* (H)	140	S-10 / B-0		V1-0	2 3/4"	AFG50MD	1 1/2"	580467	31
LEDV1	AFII 85	0.50 X 70°B	0.50 X 70°B* (H)	140	2		AF2-6	#2	HLX50HD	2"	580420	5, 6, 34
LEDV2	AFII 150	0.85 X 60°B	0.85 X 60°B* (H)	140	4		AF2-9	#3	HLX50HE	2"	580491	5, 6, 34
LEDV3	AFII 150	1.00 X 60°B	1.00 X 60°B* (H)	140	4		AF2-9	#5	HLX50HE	2"	580491	5, 6, 34
MPO115	AFG	0.65 X 45°B	0.65 X 45°B* (H)	150	S-6 / B-0		L2	2 3/4"	AFG70MPASN	2"		9, 51
MPO115	AFG	0.60 X 45°W	0.60 X 45°B	180	S-5 / B-0		L2	2 3/4"	AFG70MPASN	2"		9, 16, 51, 52
MPO147	AFG	0.76 X 60°B	0.75 X 60°B* (H)	180	S-9 / B-0		L1	3 3/8"	AFG70MMAQN	2"	58020204	9, 16, 51, 52
MPO147	AFG	0.85 X 60°B	0.85 X 60°B* (H)	150	S-7 / B-1		L1	3 3/8"	AFG70MMAQN	2"	58020204	9, 16, 51, 52
MPO147DV	NX	0.75 X 60°W	0.75 X 60°B	180	2.75		9-Slot		NX70LB	2"	58020224	31
MPO189	AFG	1.00 X 60°B	1.00 X 60°W	180	S-7 / B-1		V1-2	NONE	AFG70MLASN	2"	58020207	9, 16, 51, 52
MPO189	AFG	1.10 X 60°B* (H)	1.10 X 60°B	150	S-7 / B-2		V1-0	NONE	AFG70MLASN	2"	58020207	9, 16, 51, 52
MPO189DV	NX	1.00 X 45°B* (H)	1.00 X 45°B	180	1		9-Slot		NX90LD	3 1/2"	58020243	31
MPO231	AFG	1.25 X 60°B* (H)	1.25 X 60°B	180	S-10 / B-3		V1-3	2 3/4"M	AFG70MKASN	2"	58020205	9, 31, 51, 52
MPO231	AFG	1.35 X 60°B* (H)	1.35 X 60°B	150	S-7 / B-2		V1-3	2 3/4"M	AFG70MKASN	2"	58020205	9, 31, 51, 52
MPO231DV	NX	1.25 X 45°B* (H)	1.25 X 45°B	180	2.25		9-Slot		NX90LD	3 1/2"	58020243	31
MPO84	AFG	0.50 X 45°W	0.50 X 45°B	180	S-8 / B-0	5880	L2	3 3/8"	AFG70MQASN	2"	58020187	9, 16, 52
MPO84	AFG	0.50 X 45°W	0.50 X 45°B* (H)	150	S-6 / B-0	5880	L2	3 3/8"	AFG70MQASN	2"	58020187	9, 16, 51, 52
MST288	AFG	0.60 X 60°A		150	S-6 / B-1	5880	L1	3 3/8"	AFG70MMAQN	2"	58020204	9, 16
MST396	AFG	0.75 X 60°B	0.75 X 60°B* (H)	180	S-9 / B-0		L1	3 3/8"	AFG70MMAQN	2"	58020204	9, 16, 51, 52
MST396	AFG	0.85 X 60°B		150	S-7 / B-1		L1	3 3/8"	AFG70MMAQN	2"	58020204	9, 16, 51, 52
MST513	AFG	1.00 X 60°B	1.00 X 60°W	180	S-7 / B-1		V1-2	NONE	AFG70MLASN	2"	58020207	9, 52
MST513	AFG	1.10 X 60°B		150	S-7 / B-2		V1-0	NONE	AFG70MLASN	2"	58020207	9, 51
MST629	AFG	1.35 X 60°B		150	S-7 / B-2		V1-3	2 3/4"M	AFG70MKASN	2"	58020205	16
RS109	AF	0.85 X 80°A		100	S-6 / B-0		F3	3 1/2"	AF60ZP	3"	580305	
RS110	AF	0.90 X 80°A		100	S-6 / B-0		F3	3 1/2"	AF60ZP	3"	580305	
RS111, RSM126	AF	1.10 X 80°A		100	S-7 / B-0		F6	3 1/2"	AF60ZG	3"	580303	
RS112	AF	1.25 X 80°A		100	S-8 / B-0		F6	3 1/2"	AF60ZG	3"	580303	
RS113	AF	1.50 X 80°A		100	S-7 / B-0		F12	2 3/4"	AF60XO	3"	580306	
RS115	AF	1.65 X 80°A		100	S-7 / B-0		F12	2 3/4"	AF60XO	3"	580386	
RS116	AF	2.00 X 80°B		100	S-10 / B-0		F22	2 3/4"	AF60XP	3"	58020274	
RS117	SF	2.50 X 80°B		100			F220	2 3/4"	SF60FY			
RS118	SF	3.00 X 80°B		100			F220	2 3/4"	SF60FY			
RS-A110	AFG	0.90 X 80°B* (H)	0.90 X 80°B	140	S-8 / B-0		F3	2 3/4"	AF60XN	1 1/2"	580559	31
RS-A125	AFG	1.00 X 80°B* (H)	1.00 X 80°B	140	S-7 / B-0		F6	3 3/8"R	AF60JZ	1 1/2"	580560	31

Burnham / U.S. Boiler Cont.

Model	Burner	Nozzle	Alt. Nozzle	Pump (PSIG)	Air Settings	Baffle	Head	Static Plate / Stop Screw	Air Tube Combination	Depth	Welded Insertion	See note
RS-A135	AFG	1.10 X 80°B* (H)	1.10 X 80°B	140	S-9 / B-0		F6	3¾"R	AF60JZSS	1½"	580557	27, 31
RS-A85	AFG	0.75 X 80°B* (H)	0.75 X 80°B	140	S-10 / B-0	5880	F3	3¾"R	AF60BN	1½"	580558	5, 31
RS-AH110	AFG	0.85 X 80°B* (H)	0.85 X 80°A	140	S-7 / B-0		F3	2¾"	AF60XN	1½"	580599	31
RS-AH125	AFG	0.90 X 80°B* (H)		140	S-7 / B-0		F6	3¾"R	AF60JZ	1½"	580560	31
RS-AH135	AFG	1.00 X 80°B* (H)	1.00 X 80°B	140	S-7 / B-0		F6	3¾"R	AF60JZSS	1½"	580557	27, 31
RS-AH85	AFG	0.65 X 80°B* (H)	0.65 X 80°A	140	S-6 / B-0	5880	F3	3¾"R	AF60BN	1½"	580588	31
RSM-96	AF	0.75 X 80°A		100	S-8 / B-0		F0	3½"	AF60WG	3"	580367	
V-13	AFG	0.75 X 80°A		100	S-7 / B-0	5880	F3	3½"	AF53ZP	1¾"	580265	
V-14	AFG	1.00 X 80°A		100	S-10 / B-2	5880	F3	3½"	AF53ZP	1¾"	580265	
V-15	AFG	1.35 X 80°B		100	S-9 / B-0		F6	2¾"	AF72YB	1¾"	580281	
V-16	AFG	1.65 X 80°B		100	S-10 / B-1		F12	2¾"	AF72XO	1¾"	580284	
V-17	AFG	1.75 X 80°B		100	S-10 / B-2		F12	2¾"	AF72XO	1¾"	580284	
V-172	AFG	0.60 X 80°A		100	S-6 / B-0	5880	F0	3¾"	AF72XR	1¾"		
V-18	AFG	2.00 X 80°B		100	S-10 / B-1		F16	2¾"	AF72WF	1¾"	580323	
V-196	AFG	0.85 X 80°A		100		5880	F3	3¾"	AF72YH			
V713	AFG	0.60 X 80°A		140		5880	F3	3¾"	AF44YH		580313	
V714	AFG	1.00 X 80°A		140		5880	F6	3¾"	AF44YY		580318	
V-72	AFG	0.50 X 70°B* (H)	0.50 X 70°B	140	S-7 / B-0	5880	L1	3¾"	AFG70MB	1-11/16"		31
V-73	AFG	0.85 X 80°B* (H)	0.85 X 80°B	140	S-7 / B-1	5880	F4	3¾"	AF44WP	1-11/16"	580356	5, 8, 31
V-73WM	AFG	0.60 X 70°B* (H)	0.60 X 70°B	140	S-10 / B-0	5880	F3	3¾"	AF44WA	1-11/16"		31
V-73WR	AFG	0.50 X 80°B* (H)	0.50 X 80°B	140	S-8 / B-0	5880	F0	3¾"	AF44YL	1-11/16"		31
V-74	AFG	1.10 X 80°B* (H)	1.10 X 80°B	140	S-10 / B-1		F4	3¾"	AF44WP	1-11/16"	580356	5, 31
V-74WM	AFG	0.85 X 80°B* (H)	0.85 X 80°B	140	S-10 / B-0	5880	F3	3¾"	AF44YH	1-11/16"	580343	5, 31
V-74WR	AFG	0.75 X 80°B* (H)	0.75 X 80°B	100	S-7 / B-0	5880	F3	3¾"	AF44YH	1-11/16"	580343	5, 31
V-75	AFG	1.35 X 80°B* (H)	1.35 X 80°B	140	S-10 / B-0		F6	3¾"	AF44BA	1-11/16"	580565	31
V-76	AFG	1.50 X 80°B* (H)	1.50 X 80°B	140	S-10 / B-2		F12	2¾"	AF44XO	1-11/16"	580363	31
V-77	AFG	1.75 X 80°B* (H)	1.75 X 80°B	140	S-10 / B-2		F16	NONE	AF72WK	1-11/16"	580395	31
V-78	AFG	2.00 X 45°P (H)	2.00 X 60°B	140	S-10 / B-5		V1-5	2¾"	AFG50MD	1-11/16"		31
V-79	AFG	2.25 X 45°P (H)	2.25 X 60°B	140	S-10 / B-7		V1-6	2¾"	AFG50MD	1-11/16"		31
V8H2W	AFG	0.50 X 60°A		140	S-4 / B-0		L1	3¾"	AFG70MMASN	2-11/16"	58020173	9, 16
V8H3S	AFG	0.60 X 60°A		140	S-10 / B-1	5880	L1	3¾"	AFG70MMAQN	1-11/16"	58322201	9, 16
V8H3W	AFG	0.85 X 60°A		140	S-10 / B-2		L1	3¾"	AFG70MMAQN	1-11/16"	58322201	9, 16
V8H4S	AFG	0.85 X 60°A		140	S-10 / B-1		V1-0	2¾"	AFG70MDAQN	1-11/16"	58822202	9
V8H4W	AFG	1.10 X 60°B* (H)		140	S-7 / B-1		V1-0	2¾"	AFG70MDAQN	1-11/16"	58322202	9, 31
V8H5S	AFG	1.10 X 60°B		140	S-10 / B-1		V1-0	2¾"	AFG70MDASN	1-11/16"	58020022	9
V8H5W	AFG	1.35 X 60°B		140	S-10 / B-5		V1-2	2¾"	AFG70MDASN	1-11/16"	58020022	9
V8H6S	AFG	1.35 X 60°B		140	S-10 / B-3		V1-2	2¾"	AFG70MDASN	1-11/16"	58020022	9
V8H6W	AFG	1.50 X 45°B		160	S-10 / B-3		V1-3	2¾"	AFG70MDASN	1-11/16"	58020022	9
V8H7S	AFG	1.65 X 45°B		170	S-10 / B-3		V1-4	2¾"	AFG70MDASN	1-11/16"	58020022	9
V8H7W	AFG	1.65 X 45°B		170	S-10 / B-3		V1-4	2¾"	AFG70MDASN	1-11/16"	58020022	9
V8H8S	AFG	1.75 X 45°B		170	S-10 / B-5		V1-4	2¾"	AFG70MDASN	1-11/16"	58020022	9
V8H8W	AFG	1.75 X 45°B		170	S-10 / B-5		V1-4	2¾"	AFG70MDASN	1-11/16"	58020022	9
V8H9S	AFG	2.00 X 45°B	2.00 X 45°P	170	S-10 / B-7		V1-6	2¾"	AFG70MDASN	1-11/16"	58020022	9
V8H9W	AFG	2.00 X 45°B	2.00 X 45°P	170	S-10 / B-7		V1-6	2¾"	AFG70MDASN	1-11/16"	58020022	9

Carrier Corp.

Model	Burner	Nozzle	Alt. Nozzle	Pump (PSIG)	Air Settings	Baffle	Head	Static Plate / Stop Screw	Air Tube Combination	Depth	Welded Insertion	See note
388EAN048085	AFG	0.75 X 70°A		100	S-8 / B-0	5880	F3H	3¾"	AF47YT			
388EAN048100	AFG	0.90 X 70°A		100	S-8 / B-0	5880	F3H	3¾"	AF47YT			
388EAP048125	AFG	1.10 X 70°A		100	S-8 / B-0	5880	F3H	3¾"	AF47YT			
388EAP048150	AFG	1.10 X 70°A		100	S-8 / B-0	5880	F3H	3¾"	AF47YT			
388EAP060125	AFG	1.10 X 70°A		100	S-8 / B-0	5880	F3H	3¾"	AF47YT			
388EAP060150	AFG	1.35 X 70°A		100	S-8 / B-0	5880	F6H	2¾"	AF67JP			

Carrier Corp. Cont.

Model	Burner	Nozzle	Alt. Nozzle	Pump (PSIG)	Air Settings	Baffle	Head	Static Plate / Stop Screw	Air Tube Combination	Depth	Welded Insertion	See note
390CAN036055	AFG	0.50 X 80°B		100	S-8 / B-0	5880	D1	3/8"	AF47JS			7
390CAN048085	AFG	0.75 X 70°A		100	S-8 / B-0	5880	F3H	3/8"	AF47YT			
390CAN048100	AFG	0.90 X 70°A		100	S-8 / B-0	5880	F3H	3/8"	AF47YT			
390CAN048125	AFG	1.10 X 70°A		100	S-8 / B-0	5880	F6H	2/4"	AF67JP			
390CAN060125	AFG	1.10 X 70°A		100	S-8 / B-0	5880	F6H	2/4"	AF67JP			
391DAN048085	AFG	0.75 X 70°A		100	S-8 / B-0	5880	F3H	3/8"	AF47YT			
391DAN048100	AFG	0.90 X 70°A		100	S-8 / B-0	5880	F3H	3/8"	AF47YT			
391DAN048125	AFG	1.10 X 70°A		100	S-8 / B-0	5880	F6H	2/4"	AF67JP			
391DAN060100	AFG	0.90 X 70°A		100	S-8 / B-0	5880	F3H	3/8"	AF47YT			
391DAN060125	AFG	1.10 X 70°A		100	S-8 / B-0	5880	F6H	2/4"	AF67JP			
392FAN036100	AFG	0.90 X 70°A		100	S-8 / B-0	5880	F3H	3/8"	AF47YT			
392FAN042085	AFG	0.75 X 70°A		100	S-8 / B-0	5880	F3H	3/8"	AF47YT			
392FAN048100	AFG	0.90 X 70°A		100	S-8 / B-0	5880	F3H	3/8"	AF47YT			
392FAN048125	AFG	1.10 X 70°A		100	S-8 / B-0	5880	F3H	3/8"	AF47YT			
392FAN048150	AFG	1.35 X 70°A		100	S-8 / B-0		F6H	2/4"	AF67JP			
392FAN060125	AFG	1.10 X 70°A		100	S-8 / B-0	5880	F3H	3/8"	AF47YT			
392FAN060150	AFG	1.35 X 70°A		100	S-8 / B-0		F6H	2/4"	AF67JP			
58BLA075-12	AFG	0.50 X 80°S		100	S-8 / B-0	5880	F3	3/8"	AF47YHFS			1
58BLA105-12	AFG	0.75 X 70°H		100	S-8 / B-0	5880	F3	3/8"	AF47YHFS			1
58BLA125-16	AFG	0.90 X 70°H		100	S-8 / B-0	5880	F3	3/8"	AF47YHFS			1
58BLA155-20	AFG	1.10 X 70°H		100	S-8 / B-0	5880	F6	2/4"	AF67YBFS			1
58BMA075-12	AFG	0.50 X 70°H		100	S-8 / B-0	5880	F3	3/8"	AF47YHFS			1
58BMA105-12	AFG	0.75 X 70°H		100	S-8 / B-0	5880	F3	3/8"	AF47YHFS			1
58BMA125-16	AFG	0.90 X 70°H		100	S-8 / B-0	5880	F3	3/8"	AF47YHFS			1
58BMA155-20	AFG	1.10 X 70°H		100	S-8 / B-0	5880	F6	2/4"	AF67YBFS			1
58CLA105	AFG	0.65 X 70°B		130	S-8 / B-0		F3	3/8"R	AF53BN	2/8"	58020265 / less head	
58CLA120	AFG	0.75 X 70°B		130	S-8 / B-1		F3	2/4"	AF53XN	2/8"	58020265 / less head	
58CMA105	AFG	0.65 X 70°B		130	S-8 / B-0		F3	3/8"R	AF53BN	2/8"	58020265 / less head	
58CMA120	AFG	0.75 X 70°B		130	S-8 / B-1		F3	2/4"	AF53XN	2/8"	58020265 / less head	
58HK085111CA	AFG	0.75 X 70°A		100	S-8 / B-0	5880	F3H	3/8"	AF47YTSS			27
58HK085-JA	AFG	0.75 X 70°A		100	S-8 / B-0	5880	F3H	3/8"	AF47YT			
58HK100111CA	AFG	0.90 X 70°A		100	S-8 / B-0	5880	F3H	3/8"	AF47YTSS			27
58HK100111DA	AFG	0.90 X 70°A		100	S-8 / B-0	5880	F3H	3/8"	AF47YTSS			27
58HK100-JA	AFG	0.90 X 70°A		100	S-8 / B-0	5880	F3H	3/8"	AF47YT			
58HK100-LA	AFG	0.90 X 70°A		100	S-8 / B-0	5880	F3H	3/8"	AF47YT			
58HK125111BA	AFG	1.10 X 70°A		100	S-8 / B-0	5880	F6H	2/4"	AF67JPSS			27
58HK125111CA	AFG	1.10 X 70°A		100	S-8 / B-0	5880	F6H	2/4"	AF67JPSS			27
58HK125-LA	AFG	1.10 X 70°A		100	S-8 / B-0	5880	F6H	2/4"	AF67JP			
58HK125-LA	AFG	1.10 X 70°A		100	S-8 / B-0	5880	F6H	2/4"	AF67JP			
58HM085111CA	AFG	0.75 X 70°A		100	S-8 / B-0	5880	F3H	3/8"	AF47YTSS			27
58HM085-HA	AFG	0.75 X 70°A		100	S-8 / B-0	5880	F3H	3/8"	AF47YT			
58HM100111CA	AFG	0.90 X 70°A		100	S-8 / B-0	5880	F3H	3/8"	AF47YTSS			27
58HM100-GA	AFG	0.90 X 70°A		100	S-8 / B-0	5880	F3H	3/8"	AF47YT			
58HM125111CA	AFG	1.10 X 70°A		100	S-8 / B-0	5880	F3H	3/8"	AF47YTSS			27
58HM125111DA	AFG	1.10 X 70°A		100	S-8 / B-0	5880	F3H	3/8"	AF47YTSS			27
58HM125-JA	AFG	1.10 X 70°A		100	S-8 / B-0	5880	F3H	3/8"	AF47YT			
58HM125-LA	AFG	1.10 X 70°A		100	S-8 / B-0	5880	F3H	3/8"	AF47YT			
58HM150111CA	AFG	1.35 X 70°A		100	S-8 / B-0		F6H	2/4"	AF67JPSS			27
58HM150111DA	AFG	1.35 X 70°A		100	S-8 / B-0		F6H	2/4"	AF67JPSS			27
58HM150-JA	AFG	1.35 X 70°A		100	S-8 / B-0		F6H	2/4"	AF67JP			
58HM150-LA	AFG	1.35 X 70°A		100	S-8 / B-0		F6H	2/4"	AF67JP			
58HS085111CA	AFG	0.75 X 70°A		100	S-8 / B-0	5880	F3H	3/8"	AF47YTSS			27

Carrier Corp. Cont.

Model	Burner	Nozzle	Alt. Nozzle	Pump (PSIG)	Air Settings	Baffle	Head	Static Plate / Stop Screw	Air Tube Combination	Depth	Welded Insertion	See note
58HS085115	AFG	0.75 X 70°A		100	S-8 / B-0	5880	F3H	3/8"	AF47YTSS			27
58HS085-JA	AFG	0.75 X 70°A		100	S-8 / B-0	5880	F3H	3/8"	AF47YT			
58HS100111CA	AFG	0.90 X 70°A		100	S-8 / B-0	5880	F3H	3/8"	AF47YTSS			27
58HS100115	AFG	0.90 X 70°A		100	S-8 / B-0	5880	F3H	3/8"	AF47YTSS			27
58HS100-JA	AFG	0.90 X 70°A		100	S-8 / B-0	5880	F3H	3/8"	AF47YT			
58HS125111CA	AFG	1.10 X 70°A		100	S-8 / B-0	5880	F3H	3/8"	AF47YTSS			27
58HS125111DA	AFG	1.10 X 70°A		100	S-8 / B-0	5880	F3H	3/8"	AF47YTSS			27
58HS125115	AFG	1.10 X 70°A		100	S-8 / B-0	5880	F3H	3/8"	AF47YTSS			27
58HS125-JA	AFG	1.10 X 70°A		100	S-8 / B-0	5880	F3H	3/8"	AF47YT			
58HS125-LA	AFG	1.10 X 70°A		100	S-8 / B-0	5880	F3H	3/8"	AF47YT			
58HS150111BA	AFG	1.35 X 70°A		100	S-8 / B-0		F6H	2/4"	AF67JPSS			27
58HS150111CA	AFG	1.35 X 70°A		100	S-8 / B-0		F6H	2/4"	AF67JPSS			27
58HS150115	AFG	1.35 X 70°A		100	S-8 / B-0		F6H	2/4"	AF67JPSS			27
58HS150-JA	AFG	1.35 X 70°A		100	S-8 / B-0		F6H	2/4"	AF67JP			
58HS150-LA	AFG	1.35 X 70°A		100	S-8 / B-0		F6H	2/4"	AF67JP			
58HU055111CA	AFG	0.50 X 80°B		100	S-8 / B-0		D1	3/8"	AF47JSSS			7, 27
58HU055-GA	AFG	0.50 X 80°B		100	S-8 / B-0		D1	3/8"	AF47JH			7
58HU085111CA	AFG	0.75 X 70°A		100	S-8 / B-0	5880	F3H	3/8"	AF47YTSS			
58HU085-JA	AFG	0.75 X 70°A		100	S-8 / B-0	5880	F3H	3/8"	AF47YT			27
58HU100111CA	AFG	0.90 X 70°A		100	S-8 / B-0	5880	F3H	3/8"	AF47YTSS			27
58HU100-JA	AFG	0.90 X 70°A		100	S-8 / B-0	5880	F3H	3/8"	AF47YT			
58HU125111BA	AFG	1.10 X 70°A		100	S-8 / B-0	5880	F6H	2/4"	AF67JPSS			27
58HU125111CA	AFG	1.10 X 70°A		100	S-8 / B-0	5880	F6H	2/4"	AF67JPSS			27
58HU125-JA	AFG	1.10 X 70°A		100	S-8 / B-0	5880	F6H	2/4"	AF67JP			
58HU125-LA	AFG	1.10 X 70°A		100	S-8 / B-0	5880	F6H	2/4"	AF67JP			
OBM/OVM098	NX	0.50 X 60°W	0.50 X 60°A	145	2.75	32229	6-Slot		NX56LQ	1/4"	58020258	40
OBM/OVM098	NX	0.40 X 60°W	0.40 X 60°A	155	2	32229	6-Slot		NX56LQ	1/4"	58020258	40
OBM/OVM098	AFG	0.50 X 60°A	0.50 X 60°H	150	S-6 / B-0	5880	L2	3/8"	AFG70MQSS	1/4"	58020287	27
OBM/OVM112	NX	0.60 X 60°W	0.60 X 60°A	145	2.5		6-Slot		NX56LQ	1/4"	58020258	40
OBM/OVM112	AFG	0.60 X 60°W	0.60 X 60°A	140	S-10 / B-0	5880	L2	3/8"	AFG70MQSS	1/4"	58020287	27
OMB/OVM154	NX	0.75 X 60°B		160	2.5		6-Slot		NX50LC	1/4"	58020308	40

Clare Brothers

Model	Burner	Nozzle	Alt. Nozzle	Pump (PSIG)	Air Settings	Baffle	Head	Static Plate / Stop Screw	Air Tube Combination	Depth	Welded Insertion	See note
OHB-3FD	AFII 85	0.60 X 60°W	0.60 X 60°AS	145			AF2-6	#0	HLX50HD	3"		
OHB-3FD	AFII 85	0.50 X 60°W	0.50 X 60°AS	145			AF2-6	#0	HLX50HD	3"	580420	
OHB-3FD	AFII 85	0.65 X 60°W		145			AF2-6	#4	HLX50HD	3"	580420	
OHB-503FD	AFII 85	0.50 X 60°W		140			AF2-6	#0	HLX50HD	3"	580420	
OHB-503FD	AFII 85	0.50 X 60°W		145			AF2-6	#0	HLX50HD	3"	580420	
OHB-503FD	AFII 85	0.60 X 60°W		145			AF2-6	#0	HLX50HD	3"	580420	
OHB-503FD	AFII 85	0.65 X 60°W		145			AF2-6	#4	HLX50HD	3"	580420	
OHB-503FD-5	AFII 85	0.65 X 60°W		175			AF2-6	#4	HLX50HD	3"	580420	
OLB-3FD	AFII 85	0.60 X 60°W		145			AF2-6	#0	HLX50HD	3"	580420	
OLB-3FD	AFII 85	0.65 X 60°W		145			AF2-6	#4	HLX50HD	3"	580420	
OLB-3FD	AFII 85	0.75 X 60°W		145			AF2-6	#8	HLX50HD	3"	580420	
OLB-3RD	AFII 85	0.60 X 60°W		145			AF2-6	#0	HLX50HD	3"	580420	
OLB-3RD	AFII 85	0.65 X 60°W		145			AF2-6	#4	HLX50HD	3"	580420	
OLB-3RD	AFII 85	0.75 X 60°W		145			AF2-6	#8	HLX50HD	3"	580420	
OLB-503FD	AFII 85	0.60 X 60°W	0.60 X 60°W	145			AF2-6	#0	HLX50HD	3"	580420	
OLB-503FD	AFII 85	0.65 X 60°W		145			AF2-6	#4	HLX50HD	3"	580420	
OLB-503FD	AFII 85	0.50 X 60°W		140			AF2-6	#0	HLX50HD	3"	580420	
OLB-503FD	AFII 85	0.50 X 60°W		145			AF2-6	#0	HLX50HD	3"	580420	
OLB-503FD	AFII 85	0.75 X 60°W		145			AF2-6	#8	HLX50HD	3"	580420	

Clare Brothers Cont.

Model	Burner	Nozzle	Alt. Nozzle	Pump (PSIG)	Air Settings	Baffle	Head	Static Plate / Stop Screw	Air Tube Combination	Depth	Welded Insertion	See note
OLB-503RD	AFII 85	0.50 X 60°W		145			AF2-6	#0	HLX50HD	3"	580420	
OLB-503RD	AFII 85	0.65 X 60°W		145			AF2-6	#4	HLX50HD	3"	580420	
OLB-503RD	AFII 85	0.75 X 60°W		145			AF2-6	#8	HLX50HD	3"	580420	
OLB-503RD	AFII 85	0.50 X 60°W	0.50 X 60°AS	140			AF2-6	#0	HLX50HD	3"	580420	
OLB-503RD	AFII 85	0.60 X 60°W		145			AF2-6	#0	HLX50HD	3"	580420	

Coleman

Model	Burner	Nozzle	Alt. Nozzle	Pump (PSIG)	Air Settings	Baffle	Head	Static Plate / Stop Screw	Air Tube Combination	Depth	Welded Insertion	See note
BOL06913D	AFG	0.50 X 80°S		100		5880	F3	3 $\frac{3}{8}$ "	AF47YHFS			1
BOL10513D	AFG	0.75 X 70°H		100		5880	F3	3 $\frac{3}{8}$ "	AF47YHFS			1
BOL12516D	AFG	0.90 X 70°H		100		5880	F3	3 $\frac{3}{8}$ "	AF47YHFS			1
BOL15420D	AFG	1.10 X 70°H		100		5880	F6	2 $\frac{3}{4}$ "	AF67YBFS			1
BOM07212D	AFG	0.50 X 80°S		100		5880	F3	3 $\frac{3}{8}$ "	AF47YHFS			1
BOM10512D	AFG	0.75 X 70°H		100		5880	F3	3 $\frac{3}{8}$ "	AF47YHFS			1
BOM12516D	AFG	0.90 X 70°H		100		5880	F3	3 $\frac{3}{8}$ "	AF47YHFS			1
BOM15420D	AFG	1.10 X 70°H		100		5880	F6	2 $\frac{3}{4}$ "	AF67YBFS			1

Columbia Boiler Co.

Model	Burner	Nozzle	Alt. Nozzle	Pump (PSIG)	Air Settings	Baffle	Head	Static Plate / Stop Screw	Air Tube Combination	Depth	Welded Insertion	See note
CBO30	AF	0.75 X 80°B		100			F3	2 $\frac{3}{4}$ "	AF56XN			
CBO50	AF	1.20 X 80°B		100			F3	2 $\frac{3}{4}$ "	AF56XN			
CBO70	AF	1.35 X 80°B		100			F6	2 $\frac{3}{4}$ "	AF65YB			
CBO85	AF	1.50 X 80°B		100			F12	2 $\frac{3}{4}$ "	AF85XO			
CF 32T	AF	0.75 X 80°A		100			F3	2 $\frac{3}{4}$ "	AF90XN			
COU300	AF	1.00 X 80°A		100			F3	2 $\frac{3}{4}$ "	AF56XN			
COU400	AF	1.35 X 60°A		100			F6	2 $\frac{3}{4}$ "	AF56YB			
COU500	AF	1.75 X 80°B		100			F12	2 $\frac{3}{4}$ "	AF56XO			
COU600	AF	2.00 X 80°A		100			F12	2 $\frac{3}{4}$ "	AF56XO			
COU700	AF	2.25 X 60°B		100			F22	2 $\frac{3}{4}$ "	AF56XP			
CSF3100	AFG	0.85 X 80°B		140	S-5 / B-0		F3	2 $\frac{3}{4}$ "	AF72XN	2 $\frac{1}{4}$ "	58020188	
CSF365	AFG	0.60 X 80°B		140	S-7 / B-0		F0	3 $\frac{3}{8}$ "	AF72YL	2 $\frac{1}{4}$ "		
CSF4125	AFG	1.10 X 80°B		140	S-8 / B-1		F4	2 $\frac{3}{4}$ "	AF72WH	2 $\frac{1}{4}$ "		
CSF4150	AFG	1.25 X 80°B		140	S-6 / B-2		F6	2 $\frac{3}{4}$ "	AF72YB	2 $\frac{1}{4}$ "	58020088	
CSF5175	AFG	1.50 X 80°B		140	S-5 / B-3		F16	2 $\frac{3}{4}$ "	AF72WF	2 $\frac{1}{4}$ "		
CSF5200	AFG	1.75 X 80°B		140	S-5 / B-5		F16	2 $\frac{3}{4}$ "	AF72WF	2 $\frac{1}{4}$ "		
CSFH3085	AFG	0.75 X 60°B	0.75 X 60°B* (H)	140	S-8 / B-0		L1	3 $\frac{3}{8}$ "	AFG70MBAS	2 $\frac{1}{4}$ "	58020116	
CSFH3100	AFG	0.85 X 60°B	0.85 X 60°B* (H)	140	S-10 / B-1		L1	3 $\frac{3}{8}$ "	AFG70MBAS	2 $\frac{1}{4}$ "	58020116	
CSFH4100	AFG	0.85 X 60°B	0.85 X 60°B* (H)	140	S-6 / B-0		V1-0	2 $\frac{3}{4}$ "	AFG70MDAS	2 $\frac{1}{4}$ "	58020116	
CSFH4125	AFG	1.10 X 60°B	1.10 X 60°B* (H)	140	S-8 / B-1		V1-0	2 $\frac{3}{4}$ "	AFG70MDAS	2 $\frac{1}{4}$ "	58020116	
CSFH4145	AFG	1.25 X 60°B	1.25 X 60°B* (H)	140	S-10 / B-2		V1-2	2 $\frac{3}{4}$ "	AFG70MDAS	2 $\frac{1}{4}$ "	58020116	
CSFH5160	AFG	1.35 X 70°B	1.35 X 70°B* (H)	140	S-10 / B-1		F12	2 $\frac{3}{4}$ "	AF72XO	2 $\frac{1}{4}$ "		
CSFH5185	AFG	1.50 X 70°B	1.50 X 70°B* (H)	150	S-10 / B-2		F12	2 $\frac{3}{4}$ "	AF72XO	2 $\frac{1}{4}$ "		
CSFH6175	AFG	1.50 X 70°B	1.50 X 70°B* (H)	140	S-8 / B-1		F12	NONE	AF72YN	2 $\frac{1}{4}$ "		
CSFH6210	AFG	1.75 X 70°B	1.75 X 70°B* (H)	145	S-10 / B-2		F16	NONE	AF72WK	2 $\frac{1}{4}$ "		
CT10	SF	3.00 X 80°B		100			F300	2 $\frac{3}{4}$ "	SF90VH			
CT15	SF	4.50 X 80°B		100			F300	2 $\frac{3}{4}$ "	SF90VH			
CT6	AFG	2.00 X 80°B		100			F16	2 $\frac{3}{4}$ "	AF90WF			
EM 100	AFG	0.75 X 80°B		140	S-10 / B-0		F3	3 $\frac{1}{2}$ "	AF56ZP			
EM 110	AFG	0.85 X 80°B		140	S-10 / B-0		F6	3 $\frac{1}{2}$ "	AF56ZG			
EM 125	AFG	1.00 X 80°B		140	S-10 / B-2		F6	3 $\frac{1}{2}$ "	AF56ZG			
EM 85	AFG	0.65 X 80°B		140	S-8 / B-0		F3	3 $\frac{1}{2}$ "	AF56ZP			
EM-135	AFG	1.10 X 80°B		140	S-10 / B-2		F6	3 $\frac{1}{2}$ "	AF56ZG			

Columbia Boiler Co. Cont.

Model	Burner	Nozzle	Alt. Nozzle	Pump (PSIG)	Air Settings	Baffle	Head	Static Plate / Stop Screw	Air Tube Combination	Depth	Welded Insertion	See note
EM-150	AFG	1.25 X 80°A		140	S-9 / B-0		F12	2¾"	AF56XO			
EM-165	AFG	1.35 X 80°A		140	S-10 / B-0		F12	2¾"	AF56XO			
EM-175	AFG	1.50 X 80°A		140	S-10 / B-1		F12	2¾"	AF56XO			
EM-200	AFG	1.65 X 80°A		140	S-10 / B-2		F22	2¾"	AF56XP			
FT3100	AFG	1.00 X 80°A		100			F6	2¾"	AF56YB			
FT-3100C	AFG	0.85 X 80°B		140			F3	3½"	AF56ZP			
FT3125	AFG	1.25 X 80°A		100			F6	2¾"	AF56YB			
FT-3125C	AFG	1.00 X 80°B		140			F6	3½"	AF56ZG			
FT6150	AFG	1.50 X 80°A		100			F12	2¾"	AF56XO			
FT-6150C	AFG	1.25 X 80°A		140			F12	2¾"	AF56XO			
FT6165	AFG	1.65 X 80°A		100			F12	2¾"	AF56XO			
FT-6165C	AFG	1.35 X 80°A		140			F12	2¾"	AF56XO			
FT-9175	AFG	1.50 X 80°A		140			F12	2¾"	AF56XO			
FT-9200C	AFG	1.65 X 80°A		140			F22	2¾"	AF56XP			
GEM103	AFG	1.00 X 80°A		100			F3	2¾"	AF56XN			
GEM120	AFG	1.10 X 80°A		100			F3	2¾"	AF56XN			
GEM137	AFG	1.25 X 80°A		100			F6	2¾"	AF56YB			
GEM160	AFG	1.50 X 80°A		100			F12	2¾"	AF56XO			
GEM175	AFG	1.65 X 80°A		100			F12	2¾"	AF56XO			
GEM190	AFG	1.75 X 80°A		100			F12	2¾"	AF56XO			
GEM198	AFG	2.00 X 80°A		100			F12	2¾"	AF56XO			
GEM260	AFG	2.50 X 80°A		100			F22	2¾"	AF56XP			4
GEM324	SF	3.00 X 80°B		100			F300	2¾"	SF90VH			
GEM396	SF	4.00 X 80°B		100			F300	2¾"	SF90VH			
GEM453	SF	4.50 X 80°B		100			F300	2¾"	SF90VH			
GEM86	AFG	0.75 X 80°A		100		5880	F3	2¾"	AF56XN			
HB-112	AF	0.85 X 80°A		100			F3	2¾"	AF65XN			
HB-140	AF	1.10 X 80°A		100			F3	2¾"	AF65XN			
HB-168	AF	1.35 X 80°A		100			F6	2¾"	AF65XN			
HB-84	AF	0.75 X 80°A		100			F3	2¾"	AF65XN			
HRT10	SF	3.00 X 80°B		100			F300	2¾"	SF90VH			
HRT15	SF	4.50 X 80°B		100			F300	2¾"	SF90VH			
HRT6	AFG	2.00 X 80°A		100			F12	2¾"	AF72XO			
HS-112	AF	0.75 X 80°A		140	S-4 / B-0		F4	2¾"	AF65WH			
HS-140	AF	0.90 X 80°A		140	S-6 / B-0		F6	2¾"	AF65YB			
HS-84	AF	0.65 X 80°A		140	S-4 / B-0		F4	2¾"	AF65WH	5¼"	58020162	
L18	AFG	1.25 X 80°A		100	S-7 / B-0		F6	2¾"	AF72YB			
L20	AFG	2.00 X 80°A		100			F12	2¾"	AF72XO			
L22	AFG	2.25 X 80°A		100			F22	2¾"	AF72XP			
L24	SF	3.00 X 80°B		100			F300	2¾"	SF90VH			
L30	SF	4.00 X 80°B		100			F300	2¾"	SF90VH			
L32	SF	5.00 X 80°B		100			F300	2¾"	SF90VH			
LB-112	AF	0.85 X 80°A		100			F3	2¾"	AF65XN			
LB-140	AF	1.10 X 80°A		100			F3	2¾"	AF65XN			
LB-168	AF	1.35 X 80°A		100			F6	2¾"	AF65YB			
LB-84	AF	0.75 X 80°A		100			F3	2¾"	AF65XN			
LV/LVD-100	AFII 150	0.85 X 70°B		140	3.25		AF2-9	#0	HLX70HC			
LV/LVD-110	AFII 150	0.90 X 70°B		140	4.25		AF2-9	#3	HLX70HC			
LV/LVD-75	AFII 150	0.65 X 70°B		140	2		AF2-9	#0	HLX70HC			
LV-100	AFG	0.85 X 80°A		140	S-10 / B-1		F4	3½"	AF72WP			4
LV-110	AFG	0.90 X 80°A		140	S-10 / B-2		F6	3½"	AF72WS			4
LV-125	AFG	1.00 X 45°B	1.00 X 45°ES	140	S-10 / B-0		V1-1	NONE	AFG50ML			4
LV-135	AFG	1.10 X 45°B	1.10 X 45°ES	140	S-10 / B-2		V1-1	NONE	AFG50ML			4
LV-150	AFG	1.25 X 45°B	1.25 X 45°ES	140	S-10 / B-2		V1-2	NONE	AFG50ML			4

Columbia Boiler Co. Cont.

Model	Burner	Nozzle	Alt. Nozzle	Pump (PSIG)	Air Settings	Baffle	Head	Static Plate / Stop Screw	Air Tube Combination	Depth	Welded Insertion	See note
LV-75	AFG	0.65 X 80°A		140	S-10 / B-1	5880	F3	3½"	AF72ZP			4
RF 30	AF	0.75 X 80°A		100			F3	2¾"	AF90XN			
RF 50	AF	1.25 X 80°A		100			F6	2¾"	AF90YB			
RF 70	AF	1.35 X 80°A		100			F6	2¾"	AF90YB			
TE122	AFG	1.00 X 80°A		100			F3	2¾"	AF56XN			4
TE153	AFG	1.25 X 80°A		100			F6	2¾"	AF56YB			4
TE91	AFG	0.75 X 80°A		100		5880	F3	2¾"	AF56XN			4
WB-100	AFG	0.85 X 80°B		140	S-10 / B-2		F3	3½"	AF72WR			4
WB-100	AFII 150	0.85 X 60°B		140	4		AF2-9	#3	HLX70HC			
WB-100 CV-DV	NX	0.75 X 60°B	0.75 X 60°B* (H)	175	1.5		9-Slot		NX70LB	4"		31
WB-110	AFG	0.90 X 80°B		140	S-10 / B-3		F3	3½"	AF72WR			4
WB-110	AFII 150	0.90 X 60°B		140	4.5		AF2-9	#3	HLX70HC			
WB-110 CV-DV	NX	0.85 X 60°B	0.85 X 60°B* (H)	175	3		9-Slot		NX70LB	4"		31
WB-125	AFG	1.00 X 80°B		140	S-10 / B-2		F6	3½"	AF72WS			4
WB-125	AFII 150	1.00 X 60°B		140	3		AF2-9	#7	HLX70HC			
WB-135	AFG	1.10 X 80°B		140	S-10 / B-5		F6	3½"	AF72WS			4
WB-135	AFII 150	1.10 X 60°B		140	4		AF2-9	#7	HLX70HC			
WB-150	AFG	1.25 X 80°B		140	S-10 / B-6		F6	3½"	AF72WS			4
WB-150	AFII 150	1.25 X 60°B		140	8		AF2-9	#8	HLX70HC			
WB-90	AFG	0.75 X 80°B		140	S-10 / B-0		F3	3½"	AF72WR			4
WB-90	AFII 150	0.75 X 60°B		140	3		AF2-9	#3	HLX70HC			
WB-90 CV-DV	NX	0.70 X 60°B	0.70 X 60°AS	175	1		9-Slot		NX70LB	4"		31

Concord

Model	Burner	Nozzle	Alt. Nozzle	Pump (PSIG)	Air Settings	Baffle	Head	Static Plate / Stop Screw	Air Tube Combination	Depth	Welded Insertion	See note
RLBF8084/95D16-1	AFG	0.65 X 80°B		140	S-6 / B-0	5880	F6	2¾"	AF50YB			
RLBF80C112/125B16-1	AFG	0.85 X 80°B		140	S-6 / B-1		F6	2¾"	AF50YB			
RLBF80C112/125D20-1	AFG	0.85 X 80°B		140	S-6 / B-1		F6	2¾"	AF50YB			
RLBF80C57/72D12-1	AFG	0.50 X 80°A		100	S-4 / B-0	5880	F0	2¾"	AF50XZT			
RLBF80C57B08-1	AFG	0.50 X 80°A		100	S-4 / B-0	5880	F0	2¾"	AF50XZT			
RLBF80C84/95B10-1	AFG	0.65 X 80°B		140	S-6 / B-0	5880	F6	2¾"	AF50YB			
RLBR80C112/125B16-1	AFG	0.85 X 80°B		140	S-6 / B-1		F6	2¾"	AF50YB			
RLBR80C112/125D20-1	AFG	0.85 X 80°B		140	S-6 / B-1		F6	2¾"	AF50YB			
RLBR80C140/168D20-1	AFG	1.10 X 80°B		140	S-8 / B-1		F6	2¾"	AF55YB			
RLBR80C196B24-1	AFG	1.50 X 80°B		140	S-7 / B-2		F16	2¾"	AF56WF			
RLBR80C57/72D12-1	AFG	0.50 X 80°A		100	S-4 / B-0	5880	F0	2¾"	AF50XZT			
RLBR80C57B08-1	AFG	0.50 X 80°A		100	S-4 / B-0	5880	F0	2¾"	AF50XZT			
RLBR80C84/95B10-1	AFG	0.65 X 80°B		140	S-6 / B-0	5880	F6	2¾"	AF50YB			
RLBR80C84/95D16-1	AFG	0.65 X 80°B		140	S-6 / B-0	5880	F6	2¾"	AF50YB			
RLHF80C112/125D20-1	AFG	0.85 X 80°B		140	S-6 / B-1		F6	2¾"	AF50YB			
RLHF80C84/95D12-1	AFG	0.65 X 80°B		140	S-6 / B-0	5880	F6	2¾"	AF50YB			
RLHR80C112/125D20-1	AFG	0.85 X 80°B		140	S-6 / B-1		F6	2¾"	AF50YB			
RLHR80C168/196D24-1	AFG	1.50 X 80°B		140	S-7 / B-2		F16	2¾"	AF56WF			
RLHR80C57/72D12-1	AFG	0.50 X 80°A		100	S-4 / B-0	5880	F0	2¾"	AF50XZT			
RLHR80C84/95D12-1	AFG	0.65 X 80°B		140	S-6 / B-0	5880	F6	2¾"	AF50YB			
RLUF80C112/125B16-1	AFG	0.85 X 80°B		140	S-6 / B-1		F6	2¾"	AF50YB			
RLUF80C112/125D20-1	AFG	0.85 X 80°B		140	S-6 / B-1		F6	2¾"	AF50YB			
RLUF80C57/72D12-1	AFG	0.50 X 80°A		100	S-4 / B-0	5880	F0	2¾"	AF50XZT			
RLUF80C57B08-1	AFG	0.50 X 80°A		100	S-4 / B-0	5880	F0	2¾"	AF50XZT			
RLUF80C84/95AD16-1	AFG	0.65 X 80°B		140	S-6 / B-0	5880	F6	2¾"	AF50YB			
RLUF80C84/95B10-1	AFG	0.65 X 80°B		140	S-6 / B-0	5880	F6	2¾"	AF50YB			

Cox Manufacturing Inc.

Model	Burner	Nozzle	Alt. Nozzle	Pump (PSIG)	Air Settings	Baffle	Head	Static Plate / Stop Screw	Air Tube Combination	Depth	Welded Insertion	See note
COX225	AFG	1.65 X 70°B		140			F12	2-3/4"	AF90XO			
COX300	AFG	2.00 X 70°A		140			F220	2-3/4"	AF90YD			
COX400	CF375	3.00 X 70°P		140			SL1-5	NONE	CF100KZ			
CFO 1050	SF	2 - 4.50 X 80°B		100			F310	NONE	SF90FT			30
CFO 300	SF	2.50 X 80°B		100			F310	NONE	SF90FT			
CFO 400	SF	3.50 X 80°B		100			F310	NONE	SF90FT			
CFO 525	SF	4.50 X 80°B		100			F310	NONE	SF90FT			
CFO 600	SF	2 - 2.50 X 80°B		100			F310	NONE	SF90FT			30
CFO 800	SF	2 - 3.50 X 80°B		100			F310	NONE	SF90FT			30
HO 1050	SF	2 - 4.50 X 80°B		100			F310	NONE	SF90FT			30
HO 300	SF	2.50 X 80°B		100			F310	NONE	SF90FT			
HO 400	SF	3.50 X 80°B		100			F310	NONE	SF90FT			
HO 525	SF	4.50 X 80°B		100			F310	NONE	SF90FT			
HO 600	SF	2 - 2.50 X 80°B		100			F310	NONE	SF90FT			30
HO 800	SF	2 - 3.50 X 80°B		100			F310	NONE	SF90FT			30
OD 1050	SF	2 - 4.50 X 80°B		100			F310	NONE	SF90FT			30
OD 300	SF	2.50 X 80°B		100			F310	NONE	SF90FT			
OD 400	SF	3.50 X 80°B		100			F310	NONE	SF90FT			
OD 525	SF	4.50 X 80°B		100			F310	NONE	SF90FT			
OD 600	SF	2 - 2.50 X 80°B		100			F310	NONE	SF90FT			30
OD 800	SF	2 - 3.50 X 80°B		100			F310	NONE	SF90FT			30
RO 1050	SF	2 - 4.50 X 80°B		100			F310	NONE	SF90FT			30
RO 300	SF	2.50 X 80°B		100			F310	NONE	SF90FT			
RO 400	SF	3.50 X 80°B		100			F310	NONE	SF90FT			
RO 525	SF	4.50 X 80°B		100			F310	NONE	SF90FT			
RO 600	SF	2 - 2.50 X 80°B		100			F310	NONE	SF90FT			30
RO 800	SF	2 - 3.50 X 80°B		100			F310	NONE	SF90FT			30
SO 1050	SF	2 - 4.50 X 80°B		100			F310	NONE	SF90FT			30
SO 300	SF	2.50 X 80°B		100			F310	NONE	SF90FT			
SO 400	SF	3.50 X 80°B		100			F310	NONE	SF90FT			
SO 525	SF	4.50 X 80°B		100			F310	NONE	SF90FT			
SO 600	SF	2 - 2.50 X 80°B		100			F310	NONE	SF90FT			30
SO 800	SF	2 - 3.50 X 80°B		100			F310	NONE	SF90FT			30

CRC Environmental

Model	Burner	Nozzle	Alt. Nozzle	Pump (PSIG)	Air Settings	Baffle	Head	Static Plate / Stop Screw	Air Tube Combination	Depth	Welded Insertion	See note
TH105	AFII 85	0.55 X 30°B		140	4		FB3		FBX90HGSS	6 3/4"		27, 33
TH125	AFII 85	0.55 X 30°B		190	5		FB3		FBX90HGSS	6 3/4"		27, 33

Crown Boiler Co.

Model	Burner	Nozzle	Alt. Nozzle	Pump (PSIG)	Air Settings	Baffle	Head	Static Plate / Stop Screw	Air Tube Combination	Depth	Welded Insertion	See note
BD111	AFG	0.75 X 70°B		100		31760	L1	3 3/8"	AFG50MB			
BD120	AFG	0.85 X 80°AR		140	S-8 / B-0		L1	3 3/8"	AFG50MBAS	2"		
BD147	AFG	1.00 X 70°B		140	S-8 / B-0		V1-0	2 3/4"	AFG50MDAS	2"		
BD151	AFG	1.10 X 70°B		140	S-8 / B-0		V1-0	2 3/4"	AFG50MDAS	2"		
BD178	AFG	1.35 X 70°B		140			V1-1	2 3/4"	AFG50MDAS	2"		
BD211	AFG	1.50 X 60°B		140			V1-2	2 3/4"	AFG50MDAS	2"		
BD238	AFG	1.65 X 60°B		140	S-8 / B-0		V1-4	2 3/4"	AFG50MDAS	2"		
BD74	AFG	0.60 X 80°B		140		31760	L1	3 3/8"	AFG50MBAS			
BD91	AFG	0.65 X 70°B		140			L1	3 3/8"	AFG50MBAS			
CDB-110	AF	1.10 X 80°B		100	S-6 / B-0		F3	2 3/4"	AF56XN			
CDB-138	AF	1.25 X 80°B		100	S-6 / B-0		F6	2 3/4"	AF56YB			

Crown Boiler Co. Cont.

Model	Burner	Nozzle	Alt. Nozzle	Pump (PSIG)	Air Settings	Baffle	Head	Static Plate / Stop Screw	Air Tube Combination	Depth	Welded Insertion	See note
CDB-167	AF	1.50 X 80°B		100	S-7 / B-0		F12	2 3/4"	AF56XO			
CDB-195	AF	1.75 X 80°B		100	S-10 / B-0		F12	2 3/4"	AF56XO			
CDB-228	AF	2.00 X 80°B		100	S-10 / B-1		F22	2 3/4"	AF56XP			
CDB-254	AF	2.25 X 60°B		100	S-10 / B-2		F22	2 3/4"	AF56XP			
CHB112	NX	0.85 X 60°W	0.85 X 60°B* (H)	150	4	32229	9-Slot		NX70LBHS	5 3/4"	58020235	2
CHB68	NX	0.50 X 60°W	0.50 X 60°B* (H)	150	2.5	32229	9-Slot		NX70LBHS	5 3/4"	58020235	2
CHB87	NX	0.60 X 60°W	0.60 X 60°B* (H)	150	3	32229	9-Slot		NX70LBHS	5 3/4"	58020235	2
CHB96	NX	0.65 X 60°W	0.65 X 60°B* (H)	150	3.5	32229	9-Slot		NX70LBHS	5 3/4"	58020235	2
CHC68	NX	0.50 X 60°W	0.50 X 60°B* (H)	150	2.5	32229	9-Slot		NX70LBHS	5 3/4"	58020235	2
CHC87	NX	0.60 X 60°W	0.60 X 60°B* (H)	150	3	32229	9-Slot		NX70LBHS	5 3/4"	58020235	2
CHC96	NX	0.65 X 60°W	0.65 X 60°B* (H)	150	3.5	32229	9-Slot		NX70LBHS	5 3/4"	58020235	2
CLBR112	NX	0.85 X 60°W	0.85 X 60°B* (H)	150	4	32229	9-Slot		NX70LBHN	5 3/4"	58020235	2
CLBR68	NX	0.50 X 60°W	0.50 X 60°B* (H)	150	2.5	32229	9-Slot		NX70LBHS	5 3/4"	58020235	2
CLBR87	NX	0.60 X 60°W	0.60 X 60°B* (H)	150	3	32229	9-Slot		NX70LBHS	5 3/4"	58020235	2
CLBR96	NX	0.65 X 60°W	0.65 X 60°B* (H)	150	3.5	32229	9-Slot		NX70LBHS	5 3/4"	58020235	2
CSBH 60-90XE	AFG	0.60 X 80°A		120	S-6 / B-0	5880	F3	3 5/8"	AF60WAHSSS	4 1/2"		2, 27
CSBH 60-90XP	AFG	0.60 X 80°A		120	S-6 / B-0	5880	F3	3 5/8"	AF60WAHSSS	4 1/2"		2, 27
CSHB60EX-XP	NX	0.40 X 70°A	0.40 X 70°B* (H)	150	2	32229	9-Slot		NX50LGHS	4 1/2"	58020236	2
CSHB73XE-XP	NX	0.50 X 70°A	0.50 X 70°B* (H)	150	2.25	32229	9-Slot		NX50LGHS	4 1/2"	58020236	2
CSHB90XE-XP	NX	0.60 X 70°A	0.60 X 70°B* (H)	150	2.75	32229	9-Slot		NX50LGHS	4 1/2"	58020236	2
CT-3	AFG	0.65 X 70°A		140	S-10 / B-1		L1	3 3/8"	AFG70MBAS	2 1/4"	58020116	
CT-35	AFG	0.85 X 60°AR		140			L1	3 3/8"	AFG50MBAS		58020116	
CT-4	AFG	0.85 X 60°AR		140	S-10 / B-1		L1	3 3/8"	AFG70MBAS	2 1/4"	58020116	
CT-45	AFG	1.10 X 60°W		140			V1-0	2 3/4"	AFG50MD		5802036	
CT-5	AFG	1.10 X 60°B	1.10 X 45°AS	140	S-7 / B-3		V1-3	2 3/4"	AFG70MDAS	2 1/4"	58020306	
CT-6	CF375	1.35 X 60°ES		150	S-6 / B-0		V1-1		CF56KY	1 1/4"	51514068	
CT-6	SMG	1.35 X 45°ES		150	S-10 / B-1	31829	0		SMG45NR	2"		
CT-7	CF500	1.75 X 60°ES		140	S-3 / B-0		1		CF60KK	2 1/4"	51514050	
CT-8	CF500	2.00 X 60°B		140			4		CF60KK	2 1/4"	51514050	
DS-315	AF	1.00 X 80°A		100			F3	2 3/4"	AF56XN			
DS-405	AF	1.35 X 80°A		100			F6	2 3/4"	AF56YB			
DS-500	AF	1.65 X 80°A		100			F6	2 3/4"	AF56YB			
DS-595	AF	2.00 X 60°A		100			F16	2 3/4"	AF56WF			
DS-690	AF	2.25 X 60°A		100			F22	NONE	AF56YF			
DS-815	AF	2.50 X 60°A		100			F22	NONE	AF56YF			
DW-100	AF	1.00 X 80°A		100			F3	2 3/4"	AF56XN			
DW-130	AF	1.35 X 80°A		100			F6	2 3/4"	AF56YB			
DW-160	AF	1.65 X 80°A		100			F6	2 3/4"	AF56YB			
DW-190	AF	2.00 X 60°A		100			F16	2 3/4"	AF56WF			
DW-220	AF	2.25 X 60°A		100			F22	NONE	AF56YF			
DW-260	AF	2.50 X 60°A		100			F22	NONE	AF56YF			
DWXE-100	AFG	0.85 X 80°A		100			F3	2 3/4"	AF56XN			
DWXE-130	AFG	1.10 X 80°B		100			F3	2 3/4"	AF56XN			
DWXE-160	AFG	1.35 X 80°B		100			F6	2 3/4"	AF56YB			
EC-13	AFG	0.50 X 60°AS		175	S-10 / B-0	5880	L2	3 3/8"	AFG90MQAQ	3 3/4"		
ELF.1	AF	0.75 X 80°A		130	S-7 / B-0		F3	2 3/4"	AF57XNSS	5 1/2"		27
EP-107,D	AF	1.00 X 80°B		100			F3	2 3/4"	AF60XN			
EP-129,D	AF	1.10 X 80°A		100			F6	2 3/4"	AF60YB			
EP-140,D	AF	1.25 X 80°B		100			F6	2 3/4"	AF60YB			
EP-147,D	AF	1.35 X 80°B		100			F6	2 3/4"	AF60YB			
EP-164,D	AF	1.50 X 80°B		100			F12	2 3/4"	AF60XO			
EP-187,D	AF	1.75 X 80°B		100			F12	2 3/4"	AF60XO			
EP-216,D	AF	2.00 X 80°B		100			F22	2 3/4"	AF60XP			
EP-242,D	AF	2.25 X 80°B		100			F22	2 3/4"	AF60XP			

Crown Boiler Co. Cont.

Model	Burner	Nozzle	Alt. Nozzle	Pump (PSIG)	Air Settings	Baffle	Head	Static Plate / Stop Screw	Air Tube Combination	Depth	Welded Insertion	See note
EP-263,D	AF	2.25 X 80°A		100			F31	2¾"	AF60YV			
EP-288,D	AF	2.50 X 80°A		100			F31	2¾"	AF60YV			
FWZ	AFG	0.50 X 45°W		180		5880	L2	3¾"U	AFG70MQASN			
FWZ060	AFG	0.50 X 45°W	0.50 X 45°B	180	S-8 / B-0	5880	L2	3¾"	AFG70MQASN	2"		9, 16, 40
FWZ080	AFG	0.65 X 60°A		150	S-10 / B-1	5880	L1	3¾"	AFG70MMAQN	2"	58020195	9, 16, 40
FWZ100	AFG	0.85 X 60°B		150	S-7 / B-1		L1	3¾"	AFG70MMAQN	2"	58020195	9, 16, 40
FWZ130	AFG	1.10 X 60°B* (H)		150	S-8 / B-2		V1-0	NONE	AFG70MLASN	2"		9, 16, 40
FWZ160	AFG	1.35 X 60°B* (H)		150	S-9 / B-5		V1-3	NONE	AFG70MLAS	2"		9, 16, 40
KM-100	AFG	1.00 X 80°B		100			F3	2¾"	AF72XN			
KM-74	AFG	0.75 X 80°B		100		31760	F3	2¾"	AF72XN			
KM-85	AFG	0.85 X 80°B		100		31760	F3	2¾"	AF72XN			
ODV-100 (CT3)	AFII 150	0.85 X 80°B* (H)	0.85 X 80°B	140	3		FB3		FBX50HGXS	2¼"		31
ODV-125 (CT4)	AFII 150	1.00 X 80°B* (H)	1.00 X 80°B	140	4		FB4		FBX50HHXS	2¼"		31
ODV-135 (CT4)	AFII 150	1.10 X 80°B* (H)	1.10 X 80°B	140	5		FB4		FBX50HHXS	2¼"		31
ODV-75 (CT3)	AFII 150	0.65 X 80°B* (H)	0.65 X 80°B	140	1		FB3		FBX50HGXS	2¼"		31
OFG30	AF	0.75 X 80°B		100	S-7 / B-0		F3	2¾"	AF56XN			
OFG50	AF	1.00 X 80°B		100	S-7 / B-0		F3	2¾"	AF56XN			
OFG70	AF	1.25 X 80°B		100	S-7 / B-0		F3	2¾"	AF65XN			
OFG85	AF	1.35 X 80°B		100	S-7 / B-0		F12	2¾"	AF90XO			
TWZ065	NX	0.55 X 60°B* (H)		140	1.25		6-Slot		NX70LC	2½"		31, 45
TWZ065	AFG	0.55 X 60°B	0.55 X 60°W	140	S-8 / B-0	5880	L1	3¾"	AFG70MMAQ	2¼"	58020195	16, 31, 37
TWZ075	AFG	0.65 X 60°B* (H)	0.65 X 60°W	140	S-10 / B-2	5880	L1	3¾"	AFG70MMAQ	2¼"	58020195	16, 31, 37
TWZ075	NX	0.65 X 60°B* (H)	0.65 X 60°W	140	2		6-Slot		NX70LC	2¼"		31, 45
TWZ090	AFG	0.75 X 60°B	0.75 X 60°B* (H)	140	S-7 / B-0		L1	3¾"	AFG70MMAQ	2¼"	58020195	37
TWZ090	NX	0.75 X 60°B* (H)	0.75 X 60°W	150	2.25		9-Slot		NX70LB	2¼"		31, 45
TWZ100	AFG	0.85 X 60°B* (H)	0.85 X 60°W	140	S-5 / B-2		L1	3¾"	AFG70MMAQ	2¼"	58020195	16, 31, 37
TWZ100	NX	0.85 X 60°B* (H)	0.85 X 60°W	140	3		6-Slot		NX70LC	2¼"		31, 45
TWZ120	AFG	0.90 X 60°B* (H)	0.90 X 60°B	175	S-8 / B-1		V1-0	NONE	AFG70MLAQ	2¼"	58020197	31, 37
TWZ120	NX	0.90 X 60°B* (H)		175	1		9-Slot		NX70LD	2¼"		31, 45
TWZ125	AFG	1.00 X 60°B* (H)	1.00 X 60°B	140	S-10 / B-1		V1-0	2¾"	AFG70MDAQ	2¼"	58020196	31, 37
TWZ125	NX	1.00 X 60°B* (H)	1.00 X 60°B	150	3.25		9-Slot		NX70LB	2¼"		31, 45
TWZ125	NX	1.00 X 60°B* (H)		150	1		9-Slot		NX70LD	2¼"		31, 45
TWZ150	AFG	1.10 X 60°B* (H)	1.10 X 60°B	140	S-10 / B-2		V1-0	2¾"	AFG70MDAQ	2¼"	58020196	31, 37
TWZ150	NX	1.20 X 60°B* (H)	1.20 X 60°B	150	2.25		9-Slot		NX70LD	2¼"		31, 45
TWZ175	AFG	1.35 X 45°B* (H)	1.35 X 45°B	175	S-7 / B-3		V1-3	NONE	AFG70MLAQ	2¼"	58020197	31, 37
TWZ175	NX	1.35 X 60°B* (H)	1.35 X 60°B	175	3.5		9-Slot		NX70LD	2¼"		31, 45
TWZ200	AFG	1.50 X 45°B* (H)	1.50 X 45°B	175	S-10 / B-3		V1-4	NONE	AFG70MLAQ	2¼"	58020197	31, 37

De Dietrich / Marketing Company of North America

Model	Burner	Nozzle	Alt. Nozzle	Pump (PSIG)	Air Settings	Baffle	Head	Static Plate / Stop Screw	Air Tube Combination	Depth	Welded Insertion	See note
GT113A	AFG	0.50 X 60°AS		175	S-5 / B-0		L2	NONE	AFG50MRNASN	3¾"		9, 16, 48
GT114A	AFG	0.60 X 45°B	0.60 X 45°AS	175	S-7 / B-0		L2	NONE	AFG50MRNASN	3¾"		9, 16, 49
GT115A	AFG	0.75 X 45°B		175	S-6 / B-2		L2	NONE	AFG90MRNASN	7¾"		9, 16, 50
GT116A	AFG	0.85 X 45°B	0.85 X 45°B (B)	175	S-6 / B-3		V1-0		AFG90MLASN	7¾"		9
GT124A	NX	0.60 X 60°B		175	1.25		6-Slot		NX90LC	4½"		40
GT124A-DV	NX	0.50 X 60°A		175	1.25		6-Slot		NX90LC	4½"		3, 40
GT125A	NX	0.75 X 45°B* (H)		175	2.75		6-Slot		NX90LC	4½"		31, 40
GT125A-DV	NX	0.55 X 60°B* (H)	0.55 X 60°B	175	1.75		6-Slot		NX90LC	4½"		3, 31, 40
GT126A	NX	0.85 X 45°B* (H)		180	3		9-Slot		NX90LB	7"		31, 40
GT126A-DV	NX	0.65 X 60°B* (H)	0.65 X 60°B	175	2.5		9-Slot		NX90LB	7"		3, 31, 40
GT204	SMG	1.25 X 60°B		150	S-6 / B-0		SV1-0		SMG82NR	4¼"		
GT216A	CF375	1.35 X 45°ES	1.35 X 45°AR	200	S-8 / B-0		V1-1		CF56KY	4½"		
GT217A	CF500	1.75 X 45°B* (H)	1.75 X 30°B	150	S-4 / B-0		V1-2		CF60KK	3¾"		9, 31
GT218A	CF500	2.00 X 45°B	2.00 X 45°P	150	S-5 / B-0		V1-2		CF60KK	3¾"		9

Dettson Industries

Model	Burner	Nozzle	Alt. Nozzle	Pump (PSIG)	Air Settings	Baffle	Head	Static Plate / Stop Screw	Air Tube Combination	Depth	Welded Insertion	See note
AMP/AMT098	NX	0.50 X 60°W	0.50 X 60°A	145	2.75	32229	6-Slot		NX56LQ	1¾"	58020258	40
AMP/AMT098	NX	0.40 X 60°W	0.40 X 60°A	155	2	32229	6-Slot		NX56LQ	1¾"	58020258	40
AMP/AMT112	NX	0.60 X 60°W	0.60 X 60°A	145	2.5		6-Slot		NX56LQ	1¾"	58020258	40
AMP/AMT154	NX	0.75 X 60°B		160	2.5		6-Slot		NX50LC	1¾"	58020308	40
AMP/AMT098	AFG	0.50 X 60°A	0.50 X 60°H	150	S-6 / B-0	5880	L2	3¾"	AFG70MQSS	1¾"	58020287	27
AMP/AMT112	AFG	0.60 X 60°W	0.60 X 60°A	140	S-10 / B-0	5880	L2	3¾"	AFG70MQSS	1¾"	58020287	27
AM 101	AFG	0.85 X 80°W		100			F3	2¾"	AF53XN		58020265 / less head	
AM 120	AFG	1.00 X 80°A		100			F6	2¾"	AF53YB		58020265 / less head	
AM 130	AFG	1.10 X 80°A		100			F6	2¾"	AF53YB		58020265 / less head	
AM 140	AFG	1.20 X 80°A		100			F6	2¾"	AF53YB		58020265 / less head	
AM 76	AFG	0.65 X 80°W		100		5880	F3	2¾"	AF53XN		58020265 / less head	
AM 87	AFG	0.75 X 80°W		100		5880	F3	2¾"	AF53XN		58020265 / less head	
AM110	AFG	0.85 X 80°W		120			F3	2¾"	AF53XN		58020265 / less head	
AME 15-79	AFG	0.65 X 80°W		100		5880	F3	2¾"	AF53XN		58020265 / less head	
AME 20-90	AFG	0.75 X 80°W		100		5880	F3	2¾"	AF53XN		58020265 / less head	
AME 25-100	AFG	0.85 X 80°W		100			F3	2¾"	AF53XN		58020265 / less head	
AMP-105	AFG	0.65 X 70°B		130	S-8 / B-0	5880	F3	3¾"R	AF53BN	2⅞"	58020265 / less head	
AMP-75	AFG	0.50 X 70°W		160	S-5 / B-0	5880	F3	3¾"R	AF53BN	2⅞"	58020265 / less head	
AMP-90	AFG	0.55 X 70°B		140	S-7 / B-0	5880	F3	3¾"R	AF53BN	2⅞"	58020265 / less head	
AMT 105	AFG	0.65 X 70°B		130	S-8 / B-0		F3	3¾"R	AF53BN	2⅞"	58020265 / less head	
AMT 120	AFG	0.75 X 70°B		130	S-8 / B-1		F3	2¾"	AF53XN	2⅞"	58020265 / less head	
AMT 140	AFG	0.85 X 70°B		140	S-4 / B-4		F3	2¾"	AF53XN	2⅞"	58020265 / less head	
AMT 155	AFG	0.85 X 70°B		170	S-8 / B-2		F6	2¾"	AF53YB	2⅞"	58020265 / less head	
AMT 75	AFG	0.50 X 70°W		100	S-5 / B-0		F3	3¾"R	AF53BN		58020265 / less head	
AMT 90	AFG	0.55 X 70°B		140	S-7 / B-0		F3	3¾"R	AF53BN	2⅞"	58020265 / less head	
RHB / RLB-140	NX	0.85 X 60°W		140	3.5				NZ90LBHS	7⅞"		

Ducane

Model	Burner	Nozzle	Alt. Nozzle	Pump (PSIG)	Air Settings	Baffle	Head	Static Plate / Stop Screw	Air Tube Combination	Depth	Welded Insertion	See note
CHZA055D13C1	AFG	0.50 X 80°S		100	S-4 / B-0	5880	F3	3¾"	AF47YHFS			1
CHZA075D13C1	AFG	0.75 X 70°H		100	S-8 / B-0	5880	F3	3¾"	AF47YHFS			1
CHZA100D12C1	AFG	0.90 X 70°H		100	S-8 / B-0	5880	F3	3¾"	AF47YHFS			1
CHZA125D34C1	AFG	1.10 X 70°H		100	S-8 / B-0	5880	F6	2¾"	AF67YBFS			1
DCFA 085	AFG	0.75 X 70°H		100	S-8 / B-0	5880	F3	3¾"	AF47YHFS			1
DCFA 100	AFG	0.90 X 70°H		100	S-8 / B-0	5880	F3	3¾"	AF47YHFS			1
DCFA 125	AFG	1.10 X 70°H		100	S-8 / B-0	5880	F6	2¾"	AF67YBFS			1
DOHA112/125R5-A	AFG	0.85 X 80°B		140	S-6 / B-1		F6	2¾"	AF50YB			
DOHA168/196R6-A	AFG	1.50 X 80°B		140	S-6 / B-2		F16	2¾"	AF56WF			
DOHA57/72R3-A	AFG	0.50 X 80°A		100	S-4 / B-0	5880	F0	2¾"	AF50XZT			
DOHA84/95R3-A	AFG	0.65 X 80°B		140	S-6 / B-0	5880	F6	2¾"	AF50YB			
DOLA112/125F5-A	AFG	0.85 X 80°B		140	S-6 / B-4		F6	2¾"	AF50YB			
DOLA57/72F3-A	AFG	0.50 X 80°A		100	S-4 / B-0	5880	F0	2¾"	AF50XZT			

Ducane Cont.

Model	Burner	Nozzle	Alt. Nozzle	Pump (PSIG)	Air Settings	Baffle	Head	Static Plate / Stop Screw	Air Tube Combination	Depth	Welded Insertion	See note
DOLA84/95F4-A	AFG	0.65 X 80°B		140	S-6 / B-0	5880	F6	2¼"	AF50YB			
DOUA112/125F5-A	AFG	0.85 X 80°B		140	S-6 / B-1		F6	2¼"	AF50YB			
DOUA57/72F3-A	AFG	0.50 X 80°A		100	S-4 / B-0	5880	F0	2¼"	AF50XZT			
DOUA84/95F4-A	AFG	0.65 X 80°B		140	S-6 / B-0	5880	F6	2¼"	AF50YB			
UHCA100D12C1	AFG	0.90 X 70°H		100	S-8 / B-0	5880	F3	3⅜"	AF47YHFS			1
UHCA125D34C1	AFG	1.10 X 70°H		100	S-8 / B-0	5880	F6	2¼"	AF67YBFS			1
UHCA055D13C1	AFG	0.50 X 80°S		100	S-8 / B-0	5880	F3	3⅜"	AF47YHFS			1
UHCA085D13C1	AFG	0.75 X 70°H		100	S-8 / B-0	5880	F3	3⅜"	AF47YHFS			1
UHZ150D34C2	AFG	1.35 X 70°S		100	S-8 / B-0		F12	2¼"	AF67XOFS			1
UHZA200D34C2	AFG	1.50 X 70°S		100	S-5 / B-2		F12	2¼"	AF67XOFS			1
UHZB 055	AFG	0.50 X 70°H	0.50 X 70°A	100	S-4 / B-0	5880	F3	3⅜"	AF47YHFS			1
UHZB 085	AFG	0.75 X 70°H		100	S-8 / B-0	5880	F3	3⅜"	AF47YHFS			1
UHZB 100	AFG	0.90 X 70°H		100	S-8 / B-0	5880	F3	3⅜"	AF47YHFS			1
UHZB 125	AFG	1.10 X 70°H	1.10 X 70°A	100	S-8 / B-0	5880	F6	2¼"	AF67YBFS			1
UHZB 175	AFG	1.50 X 70°S		100	S-5 / B-2	5880	F12	2¼"	AF67XOFS			1
ULBA055D13C1	AFG	0.50 X 80°S		100	S-4 / B-0	5880	F3	3⅜"	AF47YHFS			1
ULBA085D13C1	AFG	0.75 X 70°H		100	S-8 / B-0	5880	F3	3⅜"	AF47YHFS			1
ULBA100D12C1	AFG	0.90 X 70°H		100	S-8 / B-0	5880	F3	3⅜"	AF47YHFS			1
ULBA125D34C1	AFG	1.10 X 70°H		100	S-9 / B-1	5880	F6	2¼"	AF67YBFS			1
ULBB 085	AFG	0.75 X 70°H		100	S-8 / B-0	5880	F3	3⅜"	AF47YHFS			1
ULBB 100	AFG	0.90 X 70°H		100	S-8 / B-0	5880	F3	3⅜"	AF47YHFS			1
ULBB 125	AFG	1.10 X 70°H		100	S-8 / B-0	5880	F6	2¼"	AF67YBFS			1

Dunkirk Radiator

Model	Burner	Nozzle	Alt. Nozzle	Pump (PSIG)	Air Settings	Baffle	Head	Static Plate / Stop Screw	Air Tube Combination	Depth	Welded Insertion	See note
1342, 134S	AF	1.00 X 80°A		100			F3	2¼"	AF60XN			
134-2,S	AF	1.00 X 80°B		100			F3	2¼"	AF60XN			
1352, 135S	AF	1.35 X 80°A		100			F12	2¼"	AF60XO			
135-2,S	AF	1.35 X 80°A		100			F6	2¼"	AF60YB			
1362, 136S	AF	1.65 X 80°A		100			F12	2¼"	AF60XO			
136-2,S	AF	1.65 X 80°B		100			F6	2¼"	AF60YB			
1372, 137S	AF	2.00 X 60°A		100			F12	2¼"	AF60XO			
137-2,S	AF	2.00 X 80°B		100			F16	NONE	AF60WK			
1382, 138S	AF	2.25 X 60°A		100			F31	NONE	AF60XS			
138-2,S	AF	2.25 X 70°B		100			F220	NONE	AF54YG			
1392, 139S	AF	2.50 X 60°A		100			F31	NONE	AF60XS			
139-2,S	AF	2.50 X 70°B		100			F220	NONE	AF54YG			
4095	AFG	0.85 X 60°B		125	S-10 / B-1		L2	3-3/8"	AFG70MQSSN	2-5/8"		9
4110	AFG	0.90 X 60°B (H)		150	S-10 / B-1		L1	3-3/8"	AFG70MQSSN	2-5/8"		9
3E100	AFG	1.00 X 70°A	1.00 X 70°AH	100			L1	3⅜"	AFG50MB			
3E60	AFG	0.65 X 70°B		100	S-5 / B-0		L1	3⅜"	AFG50MB	2"	580328	
3E75	AFG	0.75 X 70°A	0.75 X 70°NS	100			L1	3⅜"	AFG50MB		580328	
4E125	AFG	1.25 X 70°B		100			V1-0	2¼"	AFG50MD		580311	
4E150	AFG	1.50 X 70°B		100			V1-1	2¼"	AFG50MD		580311	
4E90	AFG	0.90 X 60°W		100			V1-0	2¼"	AFG50MD		580311	
5E175	AFG	1.75 X 70°B		100	S-10 / B-4		V1-3	2¼"	AFG50MD	2"	580311	
5E200	AFG	2.00 X 70°B		100	S-10 / B-4		V1-4	2¼"	AFG50MD	2"	580311	
5E120	AFG	1.20 X 70°B		100	S-10 / B-2		V1-0	2¼"	AFG50MD	2"	580311	
DPFO-3	AFG	0.60 X 80°A		140	S-7 / B-0		F0	2¼"	AF65XZT	4½"		
DPFO-3	AFG	0.65 X 70°A		140	S-7 / B-0	5880	F0	2¼"	AF65XZT	4½"		
DPFO-3	AFG	0.75 X 80°B		140	S-7 / B-0		F3	2¼"	AF65XN	4½"	580379	
DPFO-3 FDVS 0.65	AFG	0.60 X 80°A		140		5880	F0	2¼"	AF65XZT	4½"		
DPFO-3 FDVS 0.75	AFG	0.65 X 70°A		140			F0	2¼"	AF65XZT	4½"		
DPFO-3 FDVS 0.90	AFG	0.75 X 80°B		140			F3	2¼"	AF65XN	4½"	580379	

Dunkirk Radiator Cont.

Model	Burner	Nozzle	Alt. Nozzle	Pump (PSIG)	Air Settings	Baffle	Head	Static Plate / Stop Screw	Air Tube Combination	Depth	Welded Insertion	See note
DPFO-3T	AFG	0.60 X 80°A		140	S-7 / B-0		F0	2¼"	AF65XZT	4½"		
DPFO-3T	AFG	0.75 X 80°A		140	S-7 / B-0		F3	2¼"	AF65XN	4½"	580379	
DPFO-3T	AFG	0.90 X 80°B		140	S-7 / B-0		F3	2¼"	AF65XN	4½"	580379	
DPFO-3T FDVS 0.65	AFG	0.60 X 80°A		140		5880	F0	2¼"	AF65XZT	4½"		
DPFO-3T FDVS 0.85	AFG	0.75 X 80°A		140			F3	2¼"	AF65XN	4½"	580379	
DPFO-3T FDVS 1.10	AFG	0.90 X 80°B		140			F3	2¼"	AF65XN	4½"	580379	
DPFO-4	AFG	0.60 X 80°A		140	S-7 / B-0	5880	F0	2¼"	AF65XZT	4½"		
DPFO-4	AFG	0.75 X 80°A		140	S-7 / B-0		F3	2¼"	AF65XN	4½"	580379	
DPFO-4	AFG	1.20 X 80°B		140	S-7 / B-0		F6	2¼"	AF65YB	4½"		
DPFO-4 FDVS 0.65	AFG	0.60 X 80°A		140		5880	F0	2¼"	AF65XZT	4½"		
DPFO-4 FDVS 1.00	AFG	0.75 X 70°A		140			F3	2¼"	AF65XN	4½"	580379	
DPFO-4 FDVS 1.35	AFG	1.20 X 80°B		140			F6	2¼"	AF65YB	4½"		
DPFO-4T	AFG	0.60 X 80°B		140	S-7 / B-0	5880	F0	2¼"	AF65XZT	4½"		
DPFO-4T	AFG	0.85 X 80°B		140	S-7 / B-0		F3	2¼"	AF65XN	4½"	580379	
DPFO-4T	AFG	1.25 X 80°B		140	S-7 / B-0		F6	2¼"	AF65YB	4½"		
DPFO-4T FDVS 0.65	AFG	0.60 X 80°B		140		5880	F0	2¼"	AF65XZT	4½"		
DPFO-4T FDVS 0.95	AFG	0.85 X 80°B		140			F3	2¼"	AF65XN	4½"		
DPFO-4T FDVS 1.45	AFG	1.25 X 80°B		140			F6	2¼"	AF65YB	4½"		
DPFO-5	AFG	0.65 X 80°A		140	S-7 / B-0	5880	F3	2¼"	AF65XN	4½"	580379	
DPFO-5	AFG	1.00 X 80°A		140	S-7 / B-0		F6	2¼"	AF65YB	4½"		
DPFO-5	AFG	1.50 X 80°A		140	S-7 / B-0		F12	2¼"	AF65XO	4½"		
DPFO-5 FDVS 0.75	AFG	0.65 X 80°A		140		5880	F3	2¼"	AF65XN	4½"		
DPFO-5 FDVS 1.10	AFG	1.00 X 80°A		140			F6	2¼"	AF65YB	4½"		
DPFO-5 FDVS 1.70	AFG	1.50 X 80°A		140			F12	2¼"	AF65XO	4½"		
DPFO-5T	AFG	0.65 X 70°A		140	S-7 / B-0	5880	F3	2¼"	AF65XN	4½"		
DPFO-5T	AFG	1.00 X 70°A		140	S-7 / B-0		F6	2¼"	AF65YB	4½"		
DPFO-5T	AFG	1.50 X 70°A		140	S-7 / B-0		F12	2¼"	AF65XO	4½"		
DPFO-5T FDVS 0.80	AFG	0.65 X 70°B		140		5880	F3	2¼"	AF65XN	4½"	580379	
DPFO-5T FDVS 1.20	AFG	1.00 X 70°A		140			F6	2¼"	AF65YB	4½"		
DPFO-5T FDVS 1.75	AFG	1.50 X 70°A		140			F12	2¼"	AF65XO	4½"		
DPFO-6	CF375	1.75 X 60°B		140	S-10 / B-0		SL1-2		CF56KZ	4"		
DPFO-6T	AFG	1.20 X 80°ES		140	S-7 / B-0		F6	2¼"	AF65YB	4½"		
DPFO-6T	SMG	1.75 X 60°AS		140	S-7 / B-0		SV1-0		SMG60NR	4½"		
DPFO-6T FDVS 0.95	AFG	0.85 X 80°B		140			F3	2¼"	AF65XN	4½"		
DPFO-6T FDVS 1.45	AFG	1.20 X 80°B		140			F6	2¼"	AF65YB	4½"		
DPFO-6T FDVS 2.10	CF375	1.75 X 45°B		140			SL1-0		CF56KZ	4"		
DPFO-7	AFG	1.35 X 70°B		140	S-7 / B-0		F6	2¼"	AF65YB	4½"		
DPFO-7	CF375	2.00 X 60°B		140	S-10 / B-3		SL1-2		CF56KZ	4"		
DPFO-7	SMG	2.00 X 60°B		140	S-7 / B-0		SV1-1		SMG60NR	4½"		
DPFO-7 FDVS 1.00	AFG	0.90 X 80°B		140			F3	2¼"	AF65XN	4½"		
DPFO-7 FDVS 1.60	AFG	1.35 X 80°B		140			F12	2¼"	AF65XO	4½"		
DPFO-7 FDVS 2.35	CF375	2.00 X 45°B		140			SL1-0		CF56KZ	4"		
DPFO-8	CF375	2.25 X 60°B		140	S-10 / B-3		SL1-3		CF56KZ	4"		
DPFO-8T	SMG	2.50 X 45°P		140	S-7 / B-0		SV1-3		SMG60NR	4½"		
DPFO-8T	SMG	1.65 X 60°ES		140	S-7 / B-0	31829	SV1-5		SMG60NR	4½"		
DPFO-8T FDVS 1.25	AFG	1.00 X 70°A		140			F6	2¼"	AF65YB	4½"		
DPFO-8T FDVS 1.90	CF375	1.50 X 45°B		140			V1-1		CF56KY	4"		
DPFO-8T FDVS 2.75	CF375	2.25 X 45°B		140			SL1-1		CF56KZ	4"		
DPFO-9	CF375	2.50 X 60°B		140	S-10 / B-4		SL1-5		CF56KZ	4"		
DPFO-9	SMG	2.50 X 45°B		140	S-7 / B-0		SV1-3		SMG60NR	4½"		
DPFO-9	SMG	1.65 X 60°ES		140	S-7 / B-0	31829	SV1-5		SMG60NR	4½"		
DPFO-9 FDVS 1.35	AFG	1.25 X 70°A		140			F6	2¼"	AF65YB	4½"		
DPFO-9 FDVS 2.00	CF375	1.65 X 45°B		140			SL1-0		ACF56KZ	4"		
DPFO-9 FDVS 3.00	CF375	2.50 X 45°B		140			SL1-3		CF56KZ	4"		
ES 3	AFG	1.20 X 70°B		140	S-10 / B-2		V1-1	2¼"	AFG50MD	2"		

Dunkirk Radiator Cont.

Model	Burner	Nozzle	Alt. Nozzle	Pump (PSIG)	Air Settings	Baffle	Head	Static Plate / Stop Screw	Air Tube Combination	Depth	Welded Insertion	See note
ES 3	AFG	0.85 X 60°W		140	S-10 / B-1		L1	3/8"	AFG50MB	2"		
ES 3	AFG	1.10 X 70°B		140	S-10 / B-2		V1-1	2/4"	AFG50MD	2"		
ES 4	AFG	1.50 X 60°B		140	S-10 / B-2		V1-3	2/4"	AFG50MD	2"		
ES 4	AFG	1.65 X 60°B		140	S-10 / B-2		V1-3	2/4"	AFG50MD	2"		
ES 4	AFG	1.25 X 60°B		140	S-10 / B-2		V1-3	2/4"	AFG50MD	2"		
EW 3	AFG	0.50 X 80°B	0.50 X 80°AS	175	S-10 / B-2	5580	F0	3/8"	AF44YL	2 1/4"		
EW 3	AFG	0.65 X 70°B	0.65 X 70°AS	140	S-10 / B-2	5880	F3	3/2"	AF44WR	2 1/4"	58020018	
EW 3	AFG	0.85 X 70°B	0.85 X 70°AS	140	S-10 / B-2		F3	3/2"	AF44WR	2 1/4"	58020018	
EW 4	AFG	0.75 X 80°A	0.75 X 80°AH	140	S-10 / B-2		F3	3/2"	AF44WR	2 1/4"	58020018	
EW 4	AFG	1.00 X 80°A	1.00 X 80°AH	140	S-10 / B-2		F6	3/8"	AF44BA	2 1/4"	58020017	
EW 4	AFG	1.25 X 80°A		140	S-10 / B-2		F6	3/8"	AF44BA	2 1/4"	58020017	
EW 5	AFG	1.00 X 60°B	1.00 X 60°AS	140	S-10 / B-5		V1-0	2/4"	AFG50MD	2 1/4"	580259	
EW 5	AFG	1.50 X 45°B	1.50 X 45°B* (H)	140	S-10 / B-5		V1-2	2/4"	AFG50MD	2 1/4"	580259	
EW 5	AFG	1.65 X 60°B	1.65 X 60°AS	140	S-10 / B-5		V1-4	2/4"	AFG50MD	2 1/4"	580259	
EXB4075	AFG	0.65 X 60°B	0.65 X 60°B* (H)	140	S-7 / B-0		L2	3/8"	AFG70MQASN	2 5/8"		3, 9
EXB4075DV	NX	0.60 X 60°B		150	1.5		6-Slot		NX70LC	2 1/2"	58020221	
EXB4095	AFG	0.85 X 60°B	0.85 X 60°B* (H)	125	S-10 / B-1		L2	3/8"	AFG70MQSSN	2 5/8"		9
EXB4095DV	NX	0.75 X 60°B* (H)		155	4		6-Slot		NX70LC	2 1/2"	58020221	31
EXB4110	AFG	0.90 X 60°B* (H)	0.90 X 60°B	150	S-10 / B-1		L1	NONE	AFG70MSASN	2 5/8"		9, 31
EXB5100	AFG	0.85 X 60°B	0.85 X 60°B* (H)	140	S-10 / B-2		L2	3/8"U	AFG70MQASN	2 5/8"		3, 9, 31
EXB5100DV	NX	0.75 X 45°B		175	4		6-Slot		NX70LC	2 1/2"	58020221	
EXB5115DV	NX	1.00 X 60°B* (H)	1.00 X 60°B	140	1.8		6-Slot		NX70LF	2 1/2"		*
EXB5135DV	NX	1.10 X 60°B	1.10 X 60°B* (H)	150	2		6-Slot		NX70LF	2 1/2"		
EXB6130	AFG	1.10 X 60°AS	1.10 X 60°B* (H)	140	S-5 / B-4		V1-0	2/4"	AFG70MKAQN	2 5/8"		3, 9
EXB6130DV	NX	1.00 X 45°AS		175	2		9-Slot		NX70LD	2 1/2"	58020222	
EXB6145	AFG	1.10 X 45°AS	1.10 X 45°W	175	S-5 / B-3		V1-2	2/4"M	AFG70MKAQN	2 5/8"		9
EXB7165	AFG	1.25 X 45°AS	1.25 X 45°B* (H)	175	S-7 / B-4		V1-2	2/4"M	AFG70MKAQN	2 5/8"		3, 9

Electric Furnace-Man

Model	Burner	Nozzle	Alt. Nozzle	Pump (PSIG)	Air Settings	Baffle	Head	Static Plate / Stop Screw	Air Tube Combination	Depth	Welded Insertion	See note
DF-520	AFG	1.50 X 80°H		100			F12	2/4"	AF56XO			
K-1200	AFG	2.25 X 70°S		100			F22	2/4"	AF56XP			
KDF, KDR-115-101	AFG	0.85 X 60°B		100			L1	3/8"	AFG70MB			
OBT-275-C5	AF	2.75 X 70°B		100			F31	NONE	AF56XS			
OBT-300-C5	AF	3.00 X 70°B		100			F31	NONE	AF56XS			
PK-400	AFG	0.50 X 80°S		100			F3	2/4"	AF76XN	5/4"	58020246	
PK-400	AFG	0.65 X 70°S		100			F3	2/4"	AF76XN	5/4"	58020246	
PK-400	AFG	0.75 X 70°S		100			F3	2/4"	AF76XN	5/4"	58020246	
PK440	AFG	0.85 X 70°S		100			F3	2/4"	AF76XN	5/4"	58020246	
PK440	AFG	1.00 X 70°S		100			F3	2/4"	AF76XN	5/4"	58020246	
PK440	AFG	1.10 X 70°S		100			F3	2/4"	AF76XN	5/4"	58020246	
PK-450	AFG	0.85 X 70°S		100			F3	2/4"	AF76XN	5/4"	58020246	
PK-450	AFG	1.00 X 70°S		100			F3	2/4"	AF76XN	5/4"	58020246	
PK-450	AFG	1.10 X 70°S		100			F3	2/4"	AF76XN	5/4"	58020246	
PK-750	AFG	1.35 X 70°S		100			F6	2/4"	AF76YB	5/4"	58020177	
SPK-600	AFG	1.35 X 80°S		100			F6	2/4"	AF76YB	5/4"	58020177	
SPK-600	AFG	1.25 X 80°S		100			F6	2/4"	AF76YB	5/4"	58020177	
VT-1000	AFG	1.10 X 70°S		100			F6	2/4"	AF76YB	5/4"	58020177	
VT-1000	AFG	1.35 X 70°S		100			F6	2/4"	AF76YB	5/4"	58020177	
VT1000E	AFG	1.10 X 80°H		100			F6	2/4"	AF76YB	5/4"	58020177	
VT1000E	AFG	1.35 X 80°H		100			F6	2/4"	AF76YB	5/4"	58020177	
VT1000E	AFG	1.50 X 80°H		100			F6	2/4"	AF76YB	5/4"	58020177	
VT1000E	AFG	1.65 X 80°H		100			F6	2/4"	AF76YB	5/4"	58020177	
VT-1140	AF	1.75 X 70°S		100			F12	2/4"	AF56XO			

Electric Furnace-Man Cont.

Model	Burner	Nozzle	Alt. Nozzle	Pump (PSIG)	Air Settings	Baffle	Head	Static Plate / Stop Screw	Air Tube Combination	Depth	Welded Insertion	See note
VT700E	AFG	0.65 X 80°H		100			F3	2¾"	AF76XN	5¾"	58020246	
VT700E	AFG	0.75 X 80°H		100			F3	2¾"	AF76XN	5¾"	58020246	
VT700E	AFG	0.85 X 80°H		100			F3	2¾"	AF76XN	5¾"	58020246	
VT700E	AFG	1.00 X 80°H		100			F3	2¾"	AF76XN	5¾"	58020246	

Energy Kinetics

Model	Burner	Nozzle	Alt. Nozzle	Pump (PSIG)	Air Settings	Baffle	Head	Static Plate / Stop Screw	Air Tube Combination	Depth	Welded Insertion	See note
EK3	CF500	2.00 X 45°P		125	S-4 / B-0	31842	V1-1		CF66KK	3¾"		
System 2000	AFG	0.75 X 70°A		130	S-7 / B-0		F3	3¾"	AF72YH	2¾"	58020119	33
System 2000	AFG	0.75 X 70°A		130	S-7 / B-0		F3	3¾"	AF72YH	2¾"	58020119	34

Enerjet / Superior

Model	Burner	Nozzle	Alt. Nozzle	Pump (PSIG)	Air Settings	Baffle	Head	Static Plate / Stop Screw	Air Tube Combination	Depth	Welded Insertion	See note
OA-2	AFG	0.85X70°B	0.85X70°B* (H)	140			F4	3¾"	AF72WP	3"		35, 41
OA-3	AFG	1.10X70°B	1.10X70°B* (H)	130			F4	3¾"	AF72WP	3"		35, 41
OB-083	AFG	0.60X70°A		130	S-7 / B-0	5880	F0	3¾"	AF72XR	1¾"		41
OB-121	AFG	0.85X60°A		130	S-10 / B-0		L2	3¾"	AFG70MQAQ	1-11/16"	58020114	35, 41
OB-121	AFG	0.85X80°B		130	S-8 / B-0		F3	2¾"	AF72XN			41
OB-148	AFG	1.10X60°W		130	S-10 / B-0	5880	V1	2¾"	AFG70MDAQ	1-11/16"		35, 41
OB-196	AFG	1.50X60°B		130	S-9 / B-0		V1-2	NONE	AFG70ML	1-11/16"	58030010	41
OB-257	AFG	1.75X60°B		130	S-9 / B-0		V1-4	NONE	AFG70ML	1-11/16"	58030010	41

Evcon

Model	Burner	Nozzle	Alt. Nozzle	Pump (PSIG)	Air Settings	Baffle	Head	Static Plate / Stop Screw	Air Tube Combination	Depth	Welded Insertion	See note
BOD10515D	AFG	0.75 X 70°H		100		5880	F3	3¾"	AF47YHFS			1
BOD13816D	AFG	1.00 X 70°H		100		5880	F3	3¾"	AF47YHFS			1
BOL06913D	AFG	0.50 X 80°S		100		5880	F3	3¾"	AF47YHFS			1
BOL10513DA	AFG	0.75 X 70°H		100		5880	F3	3¾"	AF47YHFS			1
BOL12516DA	AFG	0.90 X 70°H		100		5880	F3	3¾"	AF47YHFS			1
BOL15420DA	AFG	1.10 X 70°H		100		5880	F6	2¾"	AF67YBFS			1
BOM07212DA	AFG	0.50 X 70°H		100		5880	F3	3¾"	AF47YHFS			1
BOM10512DA	AFG	0.75 X 70°H		100		5880	F3	3¾"	AF47YHFS			1
BOM12516DA	AFG	0.90 X 70°H		100		5880	F3	3¾"	AF47YHFS			1
BOM15420DA	AFG	1.10 X 70°H		100		5880	F6	2¾"	AF67YBFS			1
COAT084	AF	0.50 X 80°H	0.50 X 80°A	100			F3	3½"	AF36ZP			
COAT084	AF	0.65 X 80°B	0.65 X 80°B* (H)	100			F3	3½"	AF36ZP			
DFAA066BBTA	AF	0.50 X 70°A		100			F3	3¾"	AF35YHHS			2
DFAA084BBTA	AF	0.65 X 70°A		100			F3	3¾"	AF35YHHS			2

Everhot All-Copper / Therma-Flow

Model	Burner	Nozzle	Alt. Nozzle	Pump (PSIG)	Air Settings	Baffle	Head	Static Plate / Stop Screw	Air Tube Combination	Depth	Welded Insertion	See note
E30C	AF	0.65 X 70°AS	0.65 X 70°B	100			F3	3¾"R	AF62BNSS	6¼"		27
E30C	AFG	0.65 X 80°B	0.65 X 80°B* (H)	100	S-7 / B-0	5880	F3	3¾"	AF72YH	5½"		
E30GL	AF	0.65 X 70°AS	0.65 X 70°B	100			F3	3¾"R	AF62BNSS	6¼"		27
E30GL	AFG	0.65 X 80°B	0.65 X 80°B* (H)	100	S-7 / B-0	5880	F3	3¾"	AF72YH	5½"		
E50C	AF	0.85 X 70°AS	0.85 X 70°B	100	S-6 / B-0		F3	3¾"R	AF62BNSS	6¼"		27
E50C	AFG	0.85 X 70°AS	0.85 X 70°B	100	S-10 / B-0		F3	3¾"	AF76BNSS	6¼"		27
E50GL	AF	0.85 X 70°AS	0.85 X 70°B	100			F3	3¾"R	AF62BNSS	6¼"		27
E50GL	AFG	0.85 X 70°AS	0.85 X 70°B	100	S-10 / B-0		F3	3¾"	AF76BNSS	6¼"		27
E70	AF	1.00 X 70°AS		100			F3	3¾"R	AF62BNSS	6¼"		27

Everhot All-Copper / Therma-Flow Cont.

Model	Burner	Nozzle	Alt. Nozzle	Pump (PSIG)	Air Settings	Baffle	Head	Static Plate / Stop Screw	Air Tube Combination	Depth	Welded Insertion	See note
E70GL	AF	1.00 X 70°AS		100			F3	3/8"R	AF62BNSS			27
GL-120	AF	0.85 X 80°A		100			F3	2/4"	AF47XN			
GL-32	AFG	1.00 X 80°B		100			F3	2/4"	AF53XN			
GL-40	AF	0.50 X 80°A		100			F0	2/4"	AF53XZT			
GL-75	AF	1.00 X 80°A		100			F6	2/4"	AF90YB			
GL-75	AFG	1.00 X 80°B		100			F3	2/4"	AF53XN			
RF-30	AFG	0.65 X 70°B		100			L1	2/4"	AFG90MCSS			27
RF-30	AFG	0.85 X 70°B		100			L1	2/4"	AFG90MCSS			27
RF-50	AFG	0.65 X 70°B		100			L1	2/4"	AFG90MCSS			27
RF-50	AFG	0.85 X 70°B		100			L1	2/4"	AFG90MCSS			27
S30	AFG	0.60 X 70°B		125	S-6 / B-0	5880	F3	3/8"R	AF76BN	6/4"		
S30GL	AF	0.65 X 70°AS		100			F3	3/8"R	AF62BNSS			27
S30GL	AFG	0.65 X 80°B	0.65 X 80°B* (H)	100	S-7 / B-0	5880	F3	3/8"	AF72YH	5/2"		
S50GL	AF	0.85 X 70°AS		100			F3	3/8"R	AF62BNSS			27
S50GL	AFG	0.85 X 70°AS	0.85 X 70°B	100	S-10 / B-0		F3	3/8"	AF76BNSS	6/4"		27

F.W. Webb / Advantage / Pure Pro / Trio

Model	Burner	Nozzle	Alt. Nozzle	Pump (PSIG)	Air Settings	Baffle	Head	Static Plate / Stop Screw	Air Tube Combination	Depth	Welded Insertion	See note
AO(T)-3 / 0.65	AFG	0.55 X 60°B* (H)		140	S-5 / B-1	5880	L1	3/8"	AFG70MBAS	2/4"		31
AO(T)-3 / 0.75	AFG	0.65 X 60°B* (H)		140	S-10 / B-2	5880	L1	3/8"	AFG70MBAS	2/4"		31
AO(T)-3 / 1.00	AFG	0.85 X 60°B* (H)		140	S-5 / B-2		L1	3/8"	AFG70MBAS	2/4"		31
AO(T)-4 / 1.25	AFG	1.00 X 60°B* (H)		140	S-10 / B-1		V1-0	2/4"	AFG70MDAS	2/4"		31
AO(T)-4 / 1.50	AFG	1.25 X 60°B* (H)		140	S-10 / B-6		V1-0	2/4"	AFG70MDAS	2/4"		31
AO(T)-5 / 1.75	AFG	1.35 X 45°B* (H)		175	S-6 / B-6		V1-3	2/4"	AFG70MDAS	2/4"		31
AO(T)-5 / 2.00	AFG	1.50 X 45°B* (H)		175	S-8 / B-4		V1-4	NONE	AFG70MLAQ	2/4"		31
P3	AFG	0.60 X 70°B* (H)	0.60 X 70°B	160	S-6 / B-0		L2	3/8"	AFG90MQAQ	5/4"		16, 31, 37
P3	NX	0.60 X 60°B	0.60 X 60°B* (H)	160	1.5		6-Slot		NX90LC	4/4"		
P4	AFG	0.85 X 60B* (H)	0.85 X 60°B	140	S-10 / B-1		L2	3/8"	AFG90MQAQ	5/4"		16, 31, 37
P4	NX	0.85 X 60°B	0.85 X 60°B* (H)	140	3		6-Slot		NX90LC	4/4"		
P5	NX	1.00 X 60°B	1.00 X 60°B* (H)	150	4		6-Slot		NX90LC	4/4"		
P6	NX	1.25 X 45°B	1.25 X 45°B* (H)	140	2		9-Slot		NX90LD	4/4"		
P7	CF375	1.35 X 45°B		150	S-9 / B-0		V1-1		CF65KY	2"		

Frost Fighter

Model	Burner	Nozzle	Alt. Nozzle	Pump (PSIG)	Air Settings	Baffle	Head	Static Plate / Stop Screw	Air Tube Combination	Depth	Welded Insertion	See note
IDF350	CF375	1.75 X 45°B		140	S-10 / B-6		V1-3		CF140KY			
IDF500	CF800	2.25 X 60°B		140	S-10 / B-0		SL1-6		CF140KZ			
OHB350	SF	2.00 X 60°R		125	S-6 / B-0		F12	NONE	SF137VZ			
OHB500	SF	2.50 X 60°R		145	S-6 / B-0		F22	NONE	SF137NH			
OHV200	CF375	1.50 X 60°B		140	S-10 / B-2		V1-1		CF140KY			
OHV350	CF500	1.75 X 45°B		125	S-4 / B-0		SL1-4		CF140KZ			

H.B. Smith

Model	Burner	Nozzle	Alt. Nozzle	Pump (PSIG)	Air Settings	Baffle	Head	Static Plate / Stop Screw	Air Tube Combination	Depth	Welded Insertion	See note
8 3H	AFG	0.75 X 80°A		140		5880	F3	3/8"	AF53YH		580314	
8 3L	AFG	0.65 X 80°A		140	S-9 / B-2	5880	F3	3/8"	AF53YH		580314	
8 4H	AFG	1.00 X 80°A		140			F6	3/8"	AF53YY		580366	
8 4L	AFG	0.85 X 80°A		140	S-10 / B-1	5880	F6	3/8"	AF53YY		580366	
8 5H	AFG	1.35 X 80°B		140			F12	3/8"	AF53WT			
8 5L	AFG	1.10 X 80°A		140	S-10 / B-3		F6	3/8"	AF53YY		580366	

H.B. Smith Cont.

Model	Burner	Nozzle	Alt. Nozzle	Pump (PSIG)	Air Settings	Baffle	Head	Static Plate / Stop Screw	Air Tube Combination	Depth	Welded Insertion	See note
8 6H	AFG	1.65 X 80°B		140			F16	NONE	AF53WK			
8 6L	AFG	1.50 X 80°B		140	S-10 / B-3		F12	3/8"	AF53WT			
8 3M	AFG	0.65 X 80°A		140	S-9 / B-2	5880	F3	3/8"	AF72YH	2 1/4"	580573	
8 4M	AFG	0.85 X 80°A		140	S-9 / B-0		F6	3/8"	AF72YY	2 1/4"	580530	
8 5M	AFG	1.10 X 80°A		140	S-10 / B-2		F6	3/8"	AF72YY	2 1/4"	580530	
8 6M	AFG	1.50 X 80°B		140	S-10 / B-3		F12	3/8"	AF72WT	2 1/4"		
8-3H DV	NX	0.75 X 60°B* (H)		150	3		6-Slot		NX70LC	2 1/4"		31
8-3L DV	NX	0.60 X 60°B* (H)		150	2	32229	6-Slot		NX70LC	2 1/4"		31
8-4 DV	NX	0.85 X 60°B* (H)	0.85 X 60°W	160	3		6-Slot		NX70LC	2 1/4"		31
8HE-3H	AFG	0.90 X 80°B(H)	0.90 X 80°A	140			F4	3-3/8"	AF60WP	2-1/2"	58020073	
8HE-3L	AFG	0.75 X 80°B(H)	0.75 X 80°A	140		5880	F3	3-3/8"	AF60YH	2-1/2"	580391	
8HE-4H	AFG	1.25 X 80°B(H)	1.25 X 80°A	140			F6	2-3/4"	AF60YB	2-1/2"	580392	
8HE-4L	AFG	1.10 X 80°B(H)	1.10 X 80°A	140			F4	3-3/8"	AF60WP	2-1/2"	58020073	
8HE-5H	AFG	1.65 X 60°B(H)	1.65 X 60°B	140			V1-3	NONE	AFG70ML	2-9/16"	58020072	
8HE-5L	AFG	1.50 X 60°B(H)	1.50 X 60°B	140			V1-3	NONE	AFG70ML	2-9/16"	58020072	
8-S-3H	AFG	0.85 X 60°B		100	S-10 / B-1		L1	3/8"	AFG50MB	2 1/4"	580589	
8-S-3L	AFG	0.75 X 60°B		100	S-8 / B-1		L1	3/8"	AFG50MB	2 1/4"	580589	
8-S-4H	AFG	1.25 X 70°B		100	S-10 / B-0		V1-0	2 1/4"	AFG50MD	2 1/4"	580259	
8-S-4L	AFG	1.00 X 70°B		100	S-9 / B-0		V1-0	2 1/4"	AFG50MD	2 1/4"	580259	
8-S-5H	AFG	1.65 X 60°B		100	S-10 / B-7		V1-3	2 1/4"	AFG50MD	2 1/4"	580259	
8-S-5L	AFG	1.35 X 60°B	1.35 X 60°B* (H)	100	S-10 / B-4		V1-2	2 1/4"	AFG50MD	2 1/4"	580259	
8-S-6H	AFG	2.00 X 60°B		100	S-10 / B-9		V1-4	2 1/4"	AFG50MD	2 1/4"	580259	
8-S-6L	AFG	1.75 X 60°B		100	S-10 / B-8		V1-3	2 1/4"	AFG50MD	2 1/4"	580259	
8-W-3H	AFG	0.85 X 60°B		100	S-10 / B-1		L1	3/8"	AFG50MB	2 1/4"	580589	
8-W-3L	AFG	0.75 X 60°B	0.75 X 60°B* (H)	100	S-8 / B-1		L1	3/8"	AFG50MB	2 1/4"	580589	
8-W-4H	AFG	1.25 X 70°B		100	S-10 / B-8		V1-0	2 1/4"	AFG50MD	2 1/4"	580259	
8-W-4L	AFG	1.00 X 70°B		100	S-9 / B-0		V1-0	2 1/4"	AFG50MD	2 1/4"	580259	
8-W-5H	AFG	1.65 X 60°B		100	S-10 / B-7		V1-3	2 1/4"	AFG50MD	2 1/4"	580259	
8-W-5L	AFG	1.35 X 60°B	1.35 X 60°B* (H)	100	S-10 / B-4		V1-2	2 1/4"	AFG50MD	2 1/4"	580259	
8-W-6H	AFG	2.00 X 60°B		100	S-10 / B-9		V1-4	2 1/4"	AFG50MD	2 1/4"	580259	
8-W-6L	AFG	1.75 X 60°B		100	S-10 / B-8		V1-3	2 1/4"	AFG50MD	2 1/4"	580259	
BB14-3H	AFG	1.10 X 80°A		100	S-10 / B-1		F6	3/8"	AF53YY	2 1/4"	580366	
BB14-3H	AFG	0.85 X 80°A		140	S-10 / B-0		F6	3/8"	AF53YY	2 1/4"	580366	
BB14-3L	AFG	0.65 X 80°A		140	S-9 / B-2		F3	3/8"	AF53YH	2 1/4"	580314	
BB14-3L	AFG	0.75 X 80°A		100	S-8 / B-0		F3	3/8"	AF53YH	2 1/4"	580314	
BB14-3M	AFG	0.75 X 80°A		140	S-8 / B-0		F3	3/8"	AF53YH	2 1/4"	580314	
BB14-3M	AFG	0.85 X 80°A		100	S-10 / B-0		F3	3/8"	AF53YH	2 1/4"	580314	
BB14-4H	AFG	1.25 X 80°B		140	S-10 / B-3		F6	3/8"	AF53YY	2 1/4"	580366	
BB14-4H	AFG	1.50 X 80°B		100	S-10 / B-3		F6	3/8"	AF53YY	2 1/4"	580366	
BB14-4L	AFG	1.20 X 80°A		100	S-10 / B-1		F6	3/8"	AF53YY	2 1/4"	580366	
BB14-4L	AFG	1.00 X 80°A		140	S-10 / B-4		F6	3/8"	AF53YY	2 1/4"	580366	
BB14-4M	AFG	1.35 X 80°A		100	S-10 / B-2		F6	3/8"	AF53YY	2 1/4"	580366	
BB14-4M	AFG	1.10 X 80°B		140	S-10 / B-3		F6	3/8"	AF53YY	2 1/4"	580366	
BB14-5H	AFG	1.65 X 90°B		140	S-10 / B-4		F16	2 1/4"	AF53WF	2 1/4"		
BB14-5H	AFG	2.00 X 80°B		100	S-10 / B-4		F16	2 1/4"	AF53WF	2 1/4"		
BB14-5L	AFG	1.35 X 80°B		140	S-10 / B-2		F12	3/8"	AF53WT	2 1/4"		
BB14-5L	AFG	1.65 X 80°B		100	S-10 / B-3		F12	3/8"	AF53WT	2 1/4"		
BB14-5M	AFG	1.75 X 80°B		100	S-10 / B-3		F12	3/8"	AF53WT	2 1/4"		
BB14-5M	AFG	1.50 X 80°B		140	S-10 / B-3		F12	3/8"	AF53WT	2 1/4"		
BB14-6H	AFG	2.75 X 80°B		100	S-10 / B-4		F220	2 1/4"	AF53YD	2 1/4"		
BB14-6H	AFG	2.25 X 70°B		140	S-10 / B-5		F220	2 1/4"	AF53YD	2 1/4"		
BB14-6L	AFG	2.25 X 80°B		100	S-10 / B-5		F22	2 1/4"	AF53XP	2 1/4"		
BB14-6L	AFG	2.00 X 80°B		140	S-10 / B-4		F22	2 1/4"	AF53XP	2 1/4"		
BB14-6M	AFG	2.50 X 80°B		100	S-10 / B-5		F220	2 1/4"	AF53YD	2 1/4"		

Heat Controller / Comfort Air / Century / Patriot

Model	Burner	Nozzle	Alt. Nozzle	Pump (PSIG)	Air Settings	Baffle	Head	Static Plate / Stop Screw	Air Tube Combination	Depth	Welded Insertion	See note
100-77	AF	0.65 X 80°B	0.65 X 80°AR	100			F3	2¼"	AF72XNHS	6-7/16"		2, 13
100-77	AF	0.75 X 80°B	0.75 X 80°S	100			F3	2¼"	AF72XNHS	6-7/16"		2, 13
100-77	AF	0.85 X 80°B	0.85 X 80°ES	100			F3	2¼"	AF72XNHS	6-7/16"		2, 13
OAD 084	AFG	0.75 X 80°S		100		5880	F3	2¼"	AF60XN			
OAD 095	AFG	0.85 X 80°S		100			F3	2¼"	AF60XN			
OAD 112	AFG	1.00 X 80°S		100			F3	2¼"	AF60XN			
OAD 120	AFG	1.10 X 80°S		100			F3	2¼"	AF60XN			
OAD 130	AFG	1.20 X 80°S		100			F12	2¼"	AF60XO			
OAD 150	AFG	1.35 X 80°S		100			F12	2¼"	AF60XO			
OAL 084	AFG	0.75 X 80°S		100		5880	F3	2¼"	AF60XN			
OAL 095	AFG	0.85 X 80°S		100			F3	2¼"	AF60XN			
OAL 112	AFG	1.00 X 80°S		100			F3	2¼"	AF60XN			
OAL 120	AFG	1.10 X 80°S		100			F3	2¼"	AF60XN			
OAL 130	AFG	1.20 X 80°S		100			F12	2¼"	AF60XO			
OAL 150	AFG	1.35 X 80°S		100			F12	2¼"	AF60XO			
OAU 084	AFG	0.75 X 80°S		100		5880	F3	2¼"	AF60XN			
OAU 095	AFG	0.85 X 80°S		100			F3	2¼"	AF60XN			
OAU 112	AFG	1.00 X 80°S		100			F3	2¼"	AF60XN			
OAU 120	AFG	1.10 X 80°S		100			F3	2¼"	AF60XN			
OAU 130	AFG	1.20 X 80°S		100			F12	2¼"	AF60XO			
OAU 150	AFG	1.35 X 80°S		100			F12	2¼"	AF60XO			
OBDA 112	AFG	1.00 X 70°S		100			F3	2¼"	AF36XN			
OBDA 130	AFG	1.20 X 70°S		100			F6	3¾"R	AF36JZ			
OBDA 84	AFG	0.75 X 70°S		100			F3	3¾"R	AF36BN			
OBDA 95	AFG	0.85 X 70°S		100			F3	3¾"R	AF36BN			
OBHA 112	AFG	1.00 X 70°S		100			F3	2¼"	AF36XN			
OBHA 130	AFG	1.20 X 70°S		100			F6	3¾"R	AF36JZ			
OBHA 84	AFG	0.75 X 70°S		100			F3	3¾"R	AF36BN			
OBHA 95	AFG	0.85 X 70°S		100			F3	3¾"R	AF36BN			
OBUA 112	AFG	1.00 X 70°S		100			F3	2¼"	AF36XN			
OBUA 130	AFG	1.20 X 70°S		100			F6	3¾"R	AF36JZ			
OBUA 150	AFG	1.35 X 70°S		100			F6	3¾"R	AF36JZ			
OBUA 67	AFG	0.60 X 70°S		100			F0	3¾"R	AF36JY			
OBUA 84	AFG	0.75 X 70°S		100			F3	3¾"R	AF36BN			
OBUA 95	AFG	0.85 X 70°S		100			F3	3¾"R	AF36BN			
ODHA 125	AFG	1.00 X 80°B		140			F6	2¼"	AF50YB			
ODHA 95	AFG	0.75 X 80°B		140		5880	F6	2¼"	AF50YB			
OHD 112	AG	1.00 X 80°S		100			2 ID	34-9	A60BC			
OHD 84	AG	0.75 X 80°S		100			2 ID	34-9	A60BC			
OHHA 95	AFG	0.75 X 80°B		140		5880	F6	2¼"	AF50YB			
OLF 130	AF	1.20 X 80°S		100			F12	2¼"	AF60XO			
OLF 150	AF	1.35 X 80°S		100			F12	2¼"	AF60XO			
OLF 84	AF	0.75 X 80°S		100			F3	2¼"	AF60XN			
OLF 95	AF	0.85 X 80°S		100			F3	2¼"	AF60XN			
OLF112	AF	1.00 X 80°S		100			F3	2¼"	AF60XN			
OLFA 125	AFG	1.00 X 80°B		140			F6	2¼"	AF50YB			
OLFA 95	AFG	0.75 X 80°B		140		5880	F6	2¼"	AF50YB			
OLRA 125	AFG	1.00 X 80°B		140			F6	2¼"	AF50YB			
OLRA 125BH	AFG	1.00 X 80°B		140			F6	2¼"	AF50YB			
OLRA 170	AFG	1.25 X 80°B		140			F6	2¼"	AF55YB			
OLRA 200BH	AFG	1.50 X 80°B		140			F16	2¼"	AF56WF			
OLRA 95	AFG	0.75 X 80°B		140		5880	F6	2¼"	AF50YB			
OUFA 125	AFG	1.00 X 80°B		100			F6	2¼"	AF50YB			
OUFA 140/168	AFG	1.25 X 80°B		140	S-8 / B-1		F6	2¼"	AF55YB			

Heat Controller / Comfort Air / Century / Patriot Cont.

Model	Burner	Nozzle	Alt. Nozzle	Pump (PSIG)	Air Settings	Baffle	Head	Static Plate / Stop Screw	Air Tube Combination	Depth	Welded Insertion	See note
OUIA 75	AFG	0.65 X 80°B		100		5880	F0	2 3/4"	AF50XZT			
OUIA 95	AFG	0.75 X 80°B		100		5880	F6	2 3/4"	AF50YB			
OUIFB125	AFG	0.85 X 80°B	0.85 X 80°B* (H)	140	S-6 / B-0		F4	3 3/8"	AF46WPHS	5"		2
OUIFB125	AFG	1.00 X 80°B	1.00 X 80°B* (H)	140	S-9 / B-0		F4	3 3/8"	AF46WPHS	5"		2
OUIFB75	AFG	0.50 X 80°A	0.50 X 80°H	100	S-4 / B-0	5880	F0	2 3/4"	AF46XZTHS	5"		2, 58
OUIFB75	AFG	0.65 X 80°B	0.65 X 80°B* (H)	100	S-10 / B-0	5880	F0	2 3/4"	AF46XZTHS	5"		2, 58
OUIFB95	AFG	0.65 X 80°B	0.65 X 80°B* (H)	140	S-6 / B-0	5880	F3	2 3/4"	AF46XNHS	5"		2
OUIFB95	AFG	0.75 X 80°B	0.75 X 80°B* (H)	140	S-8 / B-0	5880	F3	2 3/4"	AF46XNHS	5"		2
OUIFM/OLFM120-D3.5	AF	0.75 X 70°W		100			F3	3 3/8"	AF53YHHS	4 3/8"		2
OUIFM/OLFM120-D3.5	AF	0.85 X 70°W		100			F3	3 3/8"	AF53YHHS	4 3/8"		2
OUIFM/OLFM120-D3.5	AF	1.00 X 70°W		100			F3	3 3/8"	AF53YHHS	4 3/8"		2
OUI 112	AF	1.00 X 80°S		100			F3	2 3/4"	AF60XN			
OUI 130	AF	1.20 X 80°S		100			F12	2 3/4"	AF56XO			
OUI 150	AF	1.35 X 80°S		100			F12	2 3/4"	AF60XO			
OUI 84	AF	0.75 X 80°S		100			F3	2 3/4"	AF60XN			
OUI 95	AF	0.85 X 80°S		100			F3	2 3/4"	AF60XN			

Heil Quaker / Temp Star / ICP

Model	Burner	Nozzle	Alt. Nozzle	Pump (PSIG)	Air Settings	Baffle	Head	Static Plate / Stop Screw	Air Tube Combination	Depth	Welded Insertion	See note
NM05055BFA1	AFG	0.50 X 80°S		100		5880	F3	3 3/8"	AF47YHFS			1
NM05085BFA1	AFG	0.75 X 70°H		100		5880	F3	3 3/8"	AF47YHFS			1
NM05100BFA1	AFG	0.90 X 70°H		100		5880	F3	3 3/8"	AF47YHFS			1
NM05125BFA1	AFG	1.10 X 70°H		100		5880	F6	2 3/4"	AF67YBFS			1

HTO / ICP

Model	Burner	Nozzle	Alt. Nozzle	Pump (PSIG)	Air Settings	Baffle	Head	Static Plate / Stop Screw	Air Tube Combination	Depth	Welded Insertion	See note
NCO5055BFA1	AFG	0.50 X 80°S		100		5880	F3	3 3/8"	AF47YHFS			1
NCO5075BFA1	AFG	0.75 X 70°H		100		5880	F3	3 3/8"	AF47YHFS			1
NCO5100BHA1	AFG	0.90 X 70°H		100		5880	F3	3 3/8"	AF47YHFS			1
NCO5125BHA1	AFG	1.10 X 70°H		100		5880	F6	2 3/4"	AF67YBFS			1
NLO5055BFA1	AFG	0.50 X 80°S		100		5880	F3	3 3/8"	AF47YHFS			1
NLO5085BFA1	AFG	0.75 X 70°H		100		5880	F3	3 3/8"	AF47YHFS			1
NLO5100BHA1	AFG	0.90 X 70°H		100		5880	F3	3 3/8"	AF47YHFS			1
NLO5125BKA1	AFG	1.10 X 70°H		100		5880	F6	2 3/4"	AF67YBFS			1
NMO5055BFA1	AFG	0.50 X 80°S		100		5880	F3	3 3/8"	AF47YHFS			1
NMO5085BGA1	AFG	0.75 X 70°H		100		5880	F3	3 3/8"	AF47YHFS			1
NMO5100BHA1	AFG	0.90 X 70°H		100		5880	F3	3 3/8"	AF47YHFS			1
NMO5125BKA1	AFG	1.10 X 70°H		100		5880	F6	2 3/4"	AF67YBFS			1

Hydrotherm, Inc.

Model	Burner	Nozzle	Alt. Nozzle	Pump (PSIG)	Air Settings	Baffle	Head	Static Plate / Stop Screw	Air Tube Combination	Depth	Welded Insertion	See note
OR-105	AF	0.75 X 80°A		100	S-7 / B-0		F3	3 3/8"	AF54YH	1 3/8"		
OR-140	AF	1.00 X 80°A		100	S-7 / B-0		F3	3 3/8"	AF54YH	1 3/8"		
OR-175	AF	1.25 X 80°A		100	S-7 / B-0		F6	2 3/4"	AF54YB	1 3/8"		
OR-210	AF	1.50 X 80°A		100	S-7 / B-0		F6	2 3/4"	AF54YB	1 3/8"		
OR-280	AF	2.00 X 80°B		100	S-7 / B-0		F12	2 3/4"	AF54XO	1 3/8"		
OR-330	AF	2.25 X 80°B		100	S-7 / B-0		F22	2 3/4"	AF54XP	1 3/8"	580477	
OR-385	AF	2.75 X 80°B		100	S-7 / B-0		F22	NONE	AF54YF	1 3/8"	580223	
PB105-8 3L	AFG	0.65 X 80°A		140	S-7 / B-0		F3	3 3/8"	AF53YH			
PB120-8 3H	AFG	0.75 X 80°A		140	S-7 / B-0		F3	3 3/8"	AF53YH			

Hydrotherm, Inc. Cont.

Model	Burner	Nozzle	Alt. Nozzle	Pump (PSIG)	Air Settings	Baffle	Head	Static Plate / Stop Screw	Air Tube Combination	Depth	Welded Insertion	See note
PB150-8 4L	AFG	0.85 X 80°A		140	S-7 / B-0		F6	3/8"	AF53YY			
PB180-8 4H	AFG	1.00 X 80°A		140	S-7 / B-0		F6	3/8"	AF53YY			
PB200-8 5L	AFG	1.10 X 80°A		140			F6	3/8"	AF53YY			
PB235-8 5H	AFG	1.35 X 80°B		140			F12	3/8"	AF53WT			
PB255-8 6L	AFG	1.50 X 80°B		140			F12	3/8"	AF53WT			
PB295-8 6H	AFG	1.65 X 80°B		140			F16	NONE	AF53WK			
VO, VOA-120	AF	0.85 X 80°A		100	S-7 / B-0		F6	2/4"	AF54YB	1 1/8"		
VO, VOA-150	AF	1.00 X 80°A		100	S-7 / B-0		F6	2/4"	AF54YB	1 1/8"		
VO, VOA-185	AF	1.25 X 80°B		100	S-6 / B-0		F6	2/4"	AF54YB	1 1/8"		
VO, VOA-225	AF	1.50 X 80°B		100	S-7 / B-0		F6	2/4"	AF54YB	1 1/8"		
VO, VOA-260	AF	1.75 X 80°B		100			F6	2/4"	AF54YB	1 1/8"		
VO, VOA-300	AF	2.00 X 80°B		100	S-10 / B-3		F22	2/4"	AF54XP	1 1/8"	580477	
VO, VOA-375	AF	2.50 X 80°B		100	S-10 / B-3		F22	2/4"	AF54XP	1 1/8"	580477	
VO, VOA-400	AF	2.75 X 60°B		100	S-10 / B-3		F31	2 1/2"	AF54ZJ	1 1/8"		
VO, VOA-416	AF	2.75 X 60°B		100	S-10 / B-3		F31	2 1/2"	AF54ZJ	1 1/8"		
WO-120	AFG	0.85 X 80°B		100	S-7 / B-0		F34	3 1/2"	AF44JJ			
WO-120	AFG	0.85 X 80°B		100	S-7 / B-0		F3	3 1/2"	AF44ZP			
WO-150	AFG	1.10 X 80°B		100			F34	3 1/2"	AF44JJ			
WO-150	AFG	1.10 X 80°B		100			F3	3 1/2"	AF44ZP			
WO-185	AFG	1.35 X 80°B		100			F124	2 3/4"	AF44JB			
WO-185	AFG	1.35 X 80°B		100			F6	2 3/4"	AF44YB			
WO-225	AFG	1.65 X 80°B		100			F124	2 3/4"	AF44JB			
WO-225	AFG	1.65 X 80°B		100			F6	2 3/4"	AF44YB			
WO-260	AFG	1.75 X 80°B		100			F124	2 3/4"	AF44JB			
WO-260	AFG	1.75 X 80°B		100			F12	2 1/2"	AF44JX			
WO-300	AFG	2.25 X 70°B		100	S-10 / B-5		F164	2 3/4"	AF44JH			
WO-300	AFG	2.25 X 80°B		100	S-10 / B-5		F16	2 3/4"	AF44WF			
WO-375	SF	2.75 X 70°B		100			F220	2 3/4"	SF44FZ			
WO-416	SF	3.00 X 70°B		100			F220	2 3/4"	SF44FZ			

Intertherm

Model	Burner	Nozzle	Alt. Nozzle	Pump (PSIG)	Air Settings	Baffle	Head	Static Plate / Stop Screw	Air Tube Combination	Depth	Welded Insertion	See note
01LA-055C12B	AFG	0.50 X 80°S		100	S-7 / B-0	5880	F3	3/8"	AF47YHFS			1
01LA-085C12B	AFG	0.75 X 70°H		100	S-7 / B-0	5880	F3	3/8"	AF47YHFS			1
01LA-100C16B	AFG	0.90 X 70°H		100	S-7 / B-0	5880	F3	3/8"	AF47YHFS			1
01LA-125C20B	AFG	1.10 X 70°H		100	S-7 / B-0	5880	F6	2/4"	AF67YBFS			1
01MA-055C12B	AFG	0.50 X 80°S		100	S-7 / B-0	5880	F3	3/8"	AF47YHFS			1
01MA-085C12B	AFG	0.75 X 70°H		100	S-7 / B-0	5880	F3	3/8"	AF47YHFS			1
01MA-100C16B	AFG	0.90 X 70°H		100	S-7 / B-0	5880	F3	3/8"	AF47YHFS			1
01MA-125C20B	AFG	1.10 X 70°H		100	S-7 / B-0	5880	F6	2/4"	AF67YBFS			1
02HA-175C20B	AFG	1.50 X 70°S		100	S-7 / B-0		F12	2 3/4"	AF67XOFS			1
02LA-085C12B	AFG	0.75 X 70°H		100	S-7 / B-0	5880	F3	3/8"	AF47YHFS			1
02LA-100C16B	AFG	0.90 X 70°H		100	S-7 / B-0	5880	F3	3/8"	AF47YHFS			1
02LA-125C20B	AFG	1.10 X 70°H		100	S-7 / B-0	5880	F6	2/4"	AF67YBFS			1
02MA-055C12B	AFG	0.50 X 70°H		100	S-7 / B-0	5880	F3	3/8"	AF47YHFS			1
02MA-085C12B	AFG	0.75 X 70°H		100	S-7 / B-0	5880	F3	3/8"	AF47YHFS			1
02MA-100C16B	AFG	0.90 X 70°H		100	S-7 / B-0	5880	F3	3/8"	AF47YHFS			1
02MA-125C20B	AFG	1.10 X 70°H		100	S-7 / B-0	5880	F6	2/4"	AF67YBFS			1

International Comfort Products / Lincoln Barriere

Model	Burner	Nozzle	Alt. Nozzle	Pump (PSIG)	Air Settings	Baffle	Head	Static Plate / Stop Screw	Air Tube Combination	Depth	Welded Insertion	See note
FLO115DB	AFG	0.75 X 70°W		100	S-7 / B-0	5880	F3	2 3/4"	AF72XN			

International Comfort Products / Lincoln Barriere Cont.

Model	Burner	Nozzle	Alt. Nozzle	Pump (PSIG)	Air Settings	Baffle	Head	Static Plate / Stop Screw	Air Tube Combination	Depth	Welded Insertion	See note
LBM-100	AFG	0.75 X 70°W		100	S-7 / B-0		F3	2¼"	AF44XN			
LBM-105	AFG	0.65 X 70°B		130	S-8 / B-0	5880	F3	3¾"R	AF53BN	2⅞"	58020265 / less head	
LBM-120	AFG	0.75 X 70°B		130	S-8 / B-1	5880	F3	2¼"	AF53XN	2⅞"	58020265 / less head	
LBM-125	AFG	0.90 X 70°W	0.90 X 70°B	100	S-7 / B-0		F3	2¼"	AF53XN		58020265 / less head	
LBM-140	AFG	0.85 X 70°B		140	S-4 / B-4	5880	F3	2¼"	AF53XN	2⅞"	58020265 / less head	
LBM-155	AFG	0.85 X 70°B		170	S-8 / B-2	5880	F6	2¼"	AF53YB	2⅞"	58020265 / less head	
LBM-75	AFG	0.50 X 70°W		160	S-5 / B-0	5880	F3	3¾"R	AF53BN	2⅞"	58020265 / less head	
LBM-90	AFG	0.55 X 70°B		140	S-7 / B-0	5880	F3	3¾"R	AF53BN	2⅞"	58020265 / less head	
LBU-100	AFG	0.90 X 70°H		100	S-8 / B-0	5880	F3	3¾"	AF47YHFS			1
LBU-125	AFG	1.10 X 70°H		100	S-9 / B-1	5880	F6	2¼"	AF67YBFS			1
LBU-55	AFG	0.50 X 80°B		100	S-8 / B-0	5880	F3	3¾"	AF47YHFS			1
LBU-85	AFG	0.75 X 70°H		100	S-8 / B-0	5880	F3	3¾"	AF47YHFS			1
LMO/OML-100	AFG	0.90 X 70°W		100	S-7 / B-0		F3	2¼"	AF53XN		58020265 / less head	
LMO/OML-125	AFG	0.90 X 70°W		100	S-7 / B-0		F3	2¼"	AF53XN		58020265 / less head	
LMO/OML-75	AFG	0.50 X 70°W		100	S-7 / B-0	5880	F3	3¾"	AF44YH			
NDOD/OND 105	AF	0.90 X 70°A		100	S-8 / B-0		F3	3¾"R	AF40BN			
NDOD/OND 85	AF	0.75 X 70°A		100	S-5 / B-0		F3	3¾"R	AF40BN			
NFOD	A	0.65 X 70°B		100	S-5 / B-0		2"	3¾"	A40AA			
NLOD/OLN 105	AF	0.90 X 70°A		100	S-8 / B-0		F3	3¾"R	AF40BN			
NLOD/OLN 85	AF	0.75 X 70°A		100	S-5 / B-0		F3	3¾"R	AF40BN			
NOLF105 0.50	AFG	0.50 X 70°A		100	S-4 / B-0	5880	F0	2¼"	AF72XZT	5⅞"	580576	
NOLF105 0.63	AFG	0.60 X 70°A		155	S-8 / B-0	5880	F0	2¼"	AF72XZT	5⅞"	580576	
NOLF205 0.75	AFG	0.60 X 70°B		155	S-8 / B-0		F0	2¼"	AF72XZT	5⅞"	580576	
NOUF-105 0.50	AFG	0.50 X 70°A		100	S-4 / B-0	5880	F0	2¼"	AF72XZT	5⅞"	580576	
NOUF-105 0.63	AFG	0.50 X 70°A		155	S-8 / B-0	5880	F0	2¼"	AF72XZT	5⅞"	580576	
NOUF-105 0.75	AFG	0.60 X 70°B		155	S-8 / B-0		F0	2¼"	AF72XZT	5⅞"	580576	
NOUF160 0.85	AFG	0.75 X 70°B		130	S-5 / B-0		F3	2¼"	AF90XN	6⅞"	58020009	
NOUF160 0.97	AFG	0.85 X 70°B		130	S-6 / B-0		F3	2¼"	AF90XN	6⅞"	58020009	
NOUF160 1.14	AFG	1.00 X 70°B		130	S-10 / B-0		F3	2¼"	AF90XN	6⅞"	58020009	
NUOD/OUN 105	AF	0.90 X 70°A		100	S-8 / B-0		F3	3¾"R	AF40BN			
NUOD/OUN 84	AF	0.75 X 70°A		100	S-5 / B-0		F3	3¾"R	AF40BN			
OCF105 0.50	AFII 85	0.50 X 60°W		100	2		AF2-6	#3	HLX70HD	4-15/16"		
OCF105 0.63	AFII 85	0.50 X 60°W		155	3		AF2-6	#3	HLX70HD	4-15/16"	580596	
OCF105 0.75	AFII 85	0.60 X 60°W		155	4		AF2-6	#3	HLX70HD	4-15/16"	580596	
ODH5F 0.50	AFII 85	0.50 X 60°W		100	2		AF2-6	#3	HLX70HD	4-15/16"	580596	
ODH5F 0.63	AFII 85	0.50 X 60°W		155	3		AF2-6	#3	HLX70HD	4-15/16"	580596	
ODH5F 0.75	AFII 85	0.60 X 60°W		155	4		AF2-6	#3	HLX70HD	4-15/16"	580596	
OHB53F	AFII 85	0.50 X 60°W		130	1.5		6-Slot	#3	HLX70HD	4-15/16"	580596	
OHB5F 0.50	AFII 85	0.50 X 60°W		100	2		AF2-6	#3	HLX70HD	4-15/16"	580596	
OHB5-F 0.50	AFG	0.50 X 70°A		100	S-4 / B-0	5880	F0	2¼"	AF72XZT	5⅞"	580576	
OHB5F 0.63	AFII 85	0.50 X 60°W		155	3		AF2-6	#3	HLX70HD	4-15/16"	580596	
OHB5-F 0.63	AFG	0.50 X 70°A		155	S-8 / B-0	5880	F0	2¼"	AF72XZT	5⅞"	580576	
OHB5F 0.75	AFII 85	0.60 X 70°B		155	4		AF2-6	#3	HLX70HD	4-15/16"	580596	
OHB5-F 0.75	AFG	0.60 X 70°B		155	S-8 / B-0		F0	2¼"	AF72XZT	5⅞"	580576	
OHB6F 0.85	AFII 150	0.75 X 70°B		130	3		FB3		FBX90HGXS	6⅞"		
OHB6-F 0.85	AFG	0.75 X 70°B		130	S-5 / B-0		F3	2¼"	AF90XN	6⅞"	58020009	
OHB6F 0.97	AFII 150	0.85 X 70°B		130	4		FB3		FBX90HGXS	6⅞"		
OHB6-F 0.97	AFG	0.85 X 70°B		130	S-6 / B-0		F3	2¼"	AF90XN	6⅞"	58020009	
OHB6F 1.14	AFII 150	1.00 X 70°B		130	7		FB3		FBX90HGXS	6⅞"		

International Comfort Products / Lincoln Barriere Cont.

Model	Burner	Nozzle	Alt. Nozzle	Pump (PSIG)	Air Settings	Baffle	Head	Static Plate / Stop Screw	Air Tube Combination	Depth	Welded Insertion	See note
OHB6-F 1.14	AFG	1.00 X 70°B		130	S-10 / B-0		F3	2¼"	AF90XN	6½"	58020009	
OHL/LHO 5113	AFG	0.85 X 70°W		100	S-7 / B-0		F3	2¼"	AF72XN			
OHL/LHO 5168	AFG	1.25 X 70°W		100	S-7 / B-0		F6	2¼"	AF90YB	7-15/16"		
OHL/LHO 5230	AFG	1.75 X 70°W		100	S-7 / B-0		F22	2¼"	AF90XP	7-15/16"		
OLB5F 0.5	AFII 85	0.50 X 60°W		100	2		AF2-6	#3	HLX70HD	4-15/16"	580596	
OLB5-F 0.50	AFG	0.50 X 70°A		100	S-4 / B-0	5880	F0	2¼"	AF72XZT	5½"	580576	
OLB5F 0.63	AFII 85	0.50 X 60°W		155	3		AF2-6	#3	HLX70HD	4-15/16"	580596	
OLB5-F 0.63	AFG	0.50 X 70°A		155	S-8 / B-0	5880	F0	2¼"	AF72XZT	5½"	580576	
OLB5F 0.75	AFII 85	0.60 X 70°B		155	4		AF2-6	#3	HLX70HD	4-15/16"	580596	
OLB5-F 0.75	AFG	0.60 X 70°B		155	S-8 / B-0		F0	2¼"	AF72XZT	5½"	580576	
OLB5R 0.50	AFII 85	0.50 X 60°W		100	2		AF2-6	#3	HLX70HD	4-15/16"	580596	
OLB5-R 0.50	AFG	0.50 X 70°A		100	S-5 / B-0	5880	F0	2¼"	AF72XZT	5½"	580576	
OLB5R 0.63	AFII 85	0.50 X 60°W		155	3		AF2-6	#3	HLX70HD	4-15/16"	580596	
OLB5-R 0.63	AFG	0.50 X 70°A		155	S-8 / B-0	5880	F0	2¼"	AF72XZT	5½"	580576	
OLB5R 0.75	AFII 85	0.60 X 60°W		155	4		AF2-6	#3	HLX70HD	4-15/16"	580596	
OLB5-R 0.75	AFG	0.60 X 70°B		155	S-8 / B-0		F0	2¼"	AF72XZT	5½"	580576	
OLB6R	AFII 150	0.85 X 70°B		130	4		FB3		FBX90HGXS	6½"		
OLB6-R	AFG	0.85 X 70°B		130	S-6 / B-0		F3	2¼"	AF90XN	6½"	58020009	
OLB6R 0.85	AFII 150	0.75 X 70°B		130	3		FB3		FBX90HGXS	6½"		
OLB6-R 0.85	AFG	0.75 X 70°B		130	S-5 / B-0		F3	2¼"	AF90XN	6½"	58020009	
OLB6R 1.14	AFII 150	1.00 X 70°B		130	7		FB3		FBX90HGXS	6½"		
OLB6-R 1.14	AFG	1.00 X 70°B		130	S-10 / B-0		F3	2¼"	AF90XN	6½"	58020009	
OLF105 0.50	AFII 85	0.50 X 60°W		100	2		AF2-6	#3	HLX70HD	4-15/16"	580596	
OLF105 0.50	AFG	0.50 X 70°A		100	S-4 / B-0	5880	F0	2¼"	AF72XZT	5½"	580576	
OLF105 0.63	AFII 85	0.50 X 60°W		155	3		AF2-6	#3	HLX70HD	4-15/16"		
OLF105 0.63	AFG	0.50 X 70°A		155	S-8 / B-0	5880	F0	2¼"	AF72XZT	5½"	580576	
OLF105 0.75	AFII 85	0.60 X 60°W		155	4		AF2-6	#3	HLX70HD	4-15/16"	580596	
OLF105 0.75	AFG	0.60 X 70°B		155	S-8 / B-0		F0	2¼"	AF72XZT	5½"	580576	
OLF105A12B 0.50	AFG	0.50 X 70°A		100	S-4 / B-0	5880	F0	2¼"	AF72XZT	5½"	580576	
OLF105A12B 0.63	AFG	0.50 X 70°A		155	S-8 / B-0	5880	F0	2¼"	AF72XZT	5½"	580576	
OLF105A12B 0.75	AFG	0.60 X 70°B		155	S-8 / B-0		F0	2¼"	AF72XZT	5½"	580576	
OLL/LL05000/7000	AFG	0.75 X 70°W		100	S-7 / B-0	5880	F3	2¼"	AF65XN	5-3/16"	580406	
OLR105	AFII 85	0.60 X 60°W		100	2		AF2-6	#3	HLX70HD	4-15/16"	580596	
OLR105 0.63	AFII 85	0.50 X 60°W		155	3		AF2-6	#3	HLX70HD	4-15/16"	580596	
OLR105 0.75	AFII 85	0.60 X 60°W		155	4		AF2-6	#3	HLX70HD	4-15/16"	580596	
OLR160 0.85	AFII 150	0.75 X 70°B		130	3		FB3		FBX90HGXS	6½"		
OLR160 0.97	AFII 150	0.85 X 70°B		130	4		FB3		FBX90HGXS	6½"		
OLR160 1.14	AFII 150	1.00 X 70°B		130	7		FB3		FBX90HGXS	6½"		
OLR160B20B 0.85	AFG	0.75 X 70°B		130	S-5 / B-0		F3	2¼"	AF90XN	6½"	58020009	
OLR160B20B 0.97	AFG	0.85 X 70°B		130	S-6 / B-0		F3	2¼"	AF90XN	6½"	58020009	
OLR160B20B 1.14	AFG	1.00 X 70°B		130	S-10 / B-0		F3	2¼"	AF90XN	6½"	58020009	
OMF/OMV	NX	0.40 X 60°A	0.40 X 60°W	155	2	32229	6-Slot		NX56LQ	1¼"	580223	40
OMF/OMV	NX	0.60 X 60°A	0.60 X 60°W	145	2.5		6-Slot		NX56LQ	1¼"	580223	40
OMF/OMV	NX	0.50 X 60°W	0.50 X 60°A	145	2.75	32229	6-Slot		NX56LQ	1¼"	580223	40
OMF/OMV098	AFG	0.50 X 60°A	0.50 X 60°H	150	S-6 / B-0	5880	L2	3¾"	AFG70MQ	1¼"	58020287	
OMF/OMV112	AFG	0.60 X 60°W	0.60 X 60°A	140	S-10 / B-0	5880	L2	3¾"	AFG70MQ	1¼"	58020287	
OMF/OMV154	NX	0.75 X 60°B		160	2.5		6-Slot		NX50LC	1¼"	58020308	
OUF105	AFII 85	0.50 X 60°W		130	1.5		0	#3	HLX70HD	4-15/16"	580596	
OUF105 0.50	AFG	0.50 X 70°A		100	S-4 / B-0	5880	F0	2¼"	AF72XZT	5½"	580576	
OUF105 0.50	AFII 85	0.50 X 60°W		100	2		AF2-6	#3	HLX70HD	4-15/16"	580596	
OUF105 0.63	AFG	0.50 X 70°A		155	S-8 / B-0	5880	F0	2¼"	AF72XZT	5½"	580576	
OUF105 0.63	AFII 85	0.50 X 60°W		155	3		AF2-6	#3	HLX70HD	4-15/16"	580596	
OUF105 0.75	AFG	0.60 X 70°B		155	S-8 / B-0		F0	2¼"	AF72XZT	5½"	580576	
OUF105 0.75	AFII 85	0.60 X 70°B		155	4		AF2-6	#3	HLX70HD	4-15/16"	580596	

International Comfort Products / Lincoln Barriere Cont.

Model	Burner	Nozzle	Alt. Nozzle	Pump (PSIG)	Air Settings	Baffle	Head	Static Plate / Stop Screw	Air Tube Combination	Depth	Welded Insertion	See note
OUF160 0.85	AFG	0.75 X 70°B		130	S-5 / B-0		F3	2 3/4"	AF90XN	6 5/8"	58020009	
OUF160 0.85	AFII 150	0.75 X 70°B		130	3		FB3		FBX90HGXS	6 5/8"		
OUF160 0.97	AFG	0.85 X 70°B		130	S-6 / B-0		F3	2 3/4"	AF90XN	6 5/8"	58020009	
OUF160 0.97	AFII 150	0.85 X 70°B		130	4		FB3		FBX90HGXS	6 5/8"		
OUF160 1.14	AFG	1.00 X 70°B		130	S-10 / B-0		F3	2 3/4"	AF90XN	6 5/8"	58020009	
OUF160 1.14	AFII 150	1.00 X 70°B		130	7		FB3		FBX90HGXS	6 5/8"		

John Wood

Model	Burner	Nozzle	Alt. Nozzle	Pump (PSIG)	Air Settings	Baffle	Head	Static Plate / Stop Screw	Air Tube Combination	Depth	Welded Insertion	See note
JWF307V	AFG	0.65 X 80°A		100	S-7 / B-0	5880	F0	2 3/4"	AF65XZT	4 3/4"	580335	3, 12
JWF657	AFG	1.00 X 80°A		100			F3	2 3/4"	AF90XN	7-11/16"	58020085	12, 43
JW317/327	AFG	0.75 X 80°A	0.75 X 80°H	100	S-10 / B-0	5880	F3	3 3/8"R	AF90BNSS	7"		12, 27
JW6F307V 400	AFG	0.65 X 80°A	0.65 X 80°H	100	80		F0	2 3/4"	AF65XZT	4 3/4"	580335	61
JW6F657 400	AFG	1.00 X 80°A	1.00 X 80°H	100	S-8 / B-0		F3	2 3/4"	AF90XNHSSS	8"		43
JWF657 (CANADA)	AFG	1.00 X 80°A		100			F3	2 3/4"	AF90XN	7-11/16"	58020085	43
JWF657 (U.S.)	AFG	1.00 X 80°A		100			F3	2 3/4"	AF90XN	7-11/16"	58020085	43
JW317/327 (U.S.)	AFG	0.75 X 80°A	0.75 X 80°H	100	S-10 / B-0	5880	F3	3 3/8"R	AF90BNSS	7"		27
JW6317	AFG	0.75 X 80°A	0.75 X 80°H	100	S-10 / B-0	5880	F3	3 3/8"R	AF90BNSS	7"		27
JW6517	AFG	0.85 X 80°A	0.85 X 80°H	100	S-10 / B-0	5880	F3	3 3/8"R	AF90BNSS	7"		27
JW6717	AFG	1.00 X 80°A	1.00 X 80°B* (H)	100	S-9 / B-0		F3	3 3/8"R	AF90BNSS	7"		27
JW517/527	AFG	0.85 X 80°A		100	S-6 / B-0		F3	3 3/8"R	AF90BN	7"	58020010	12
JW717/727	AFG	1.00 X 80°A		100	S-6 / B-0		F3	3 3/8"R	AF90BN		58020010	12
JWF307	AFG	0.65 X 80°A		100		5880	F0	2 3/4"	AF65XZT			12
JWF307	AFG	0.75 X 80°A	0.75 X 80°NS	100		5880	F0	2 3/4"	AF65XZT			12
JWF507	AFG	0.75 X 80°A		100	S-7 / B-0	5880	F3	2 3/4"	AF72XN	5 3/4"	580335	12
JWF307V (CANADA)	AFG	0.65 X 80°A		100	S-7 / B-0	5880	F0	2 3/4"	AF65XZT	4 3/4"	580335	3
JWF307V (U.S.)	AFG	0.65 X 80°A		100	S-7 / B-0	5880	F0	2 3/4"	AF65XZT	4 3/4"	580335	3
JF307-F3065/66/67	AFG	0.65 X 80°A	0.65 X 80°H	100	S-7 / B-0	5880	F0	2 3/4"	AF65XZT	4 3/4"	580335	
JW517/527 (U.S.)	AFG	0.85 X 80°A		100	S-6 / B-0		F3	3 3/8"R	AF90BN	7"	58020010	
JW6F507	AFG	0.75 X 80°A	0.75 X 80°B* (H)	100	S-7 / B-0	5880	F3	2 3/4"	AF72XN	5 3/4"	580335	
JW717/727 (U.S.)	AFG	1.00 X 80°A		100	S-6 / B-0		F3	3 3/8"R	AF90BN		58020010	
JWF307 (CANADA)	AF	0.65 X 70°A		100	S-4 / B-0		F3	3 3/8"	AF65YH	4 3/4"		
JWF307 (CANADA)	AFG	0.65 X 80°A		100	S-7 / B-0	5880	F0	2 3/4"	AF65XZT	4 3/4"	580335	
JWF307 (U.S.)	AFG	0.65 X 80°A		100	S-7 / B-0	5880	F0	2 3/4"	AF65XZT	4 3/4"	580335	
JWF307 (U.S.)	AFG	0.75 X 80°A	0.75 X 80°NS	100	S-7 / B-0	5880	F0	2 3/4"	AF65XZT	4 3/4"	580335	
JWF507 (CANADA)	AFG	0.75 X 80°A		100	S-7 / B-0	5880	F3	2 3/4"	AF72XN	5 3/4"	58020228	
JWF507 (U.S.)	AFG	0.75 X 80°A		100	S-7 / B-0	5880	F3	2 3/4"	AF72XN	5 3/4"	58020228	

Keeprite / ICP

Model	Burner	Nozzle	Alt. Nozzle	Pump (PSIG)	Air Settings	Baffle	Head	Static Plate / Stop Screw	Air Tube Combination	Depth	Welded Insertion	See note
NLO5055BFB1	AFG	0.50 X 80°S		100		5880	F3	3 3/8"	AF47YHFS			1
NLO5085BFB1	AFG	0.75 X 70°H		100		5880	F3	3 3/8"	AF47YHFS			1
NLO5100BHB1	AFG	0.90 X 70°H		100		5880	F3	3 3/8"	AF47YHFS			1
NLO5125BKB1	AFG	1.10 X 70°H		100		5880	F6	2 3/4"	AF67YBFS			1
NMO5055BFB1	AFG	0.50 X 80°S		100		5880	F3	3 3/8"	AF47YHFS			1
NMO5085BGB1	AFG	0.75 X 70°H		100		5880	F3	3 3/8"	AF47YHFS			1
NMO5100BHB1	AFG	0.90 X 70°H		100		5880	F3	3 3/8"	AF47YHFS			1
NMO5125BKB1	AFG	1.10 X 70°H		100		5880	F6	2 3/4"	AF67YBFS			1

Kerr Heating Products

Model	Burner	Nozzle	Alt. Nozzle	Pump (PSIG)	Air Settings	Baffle	Head	Static Plate / Stop Screw	Air Tube Combination	Depth	Welded Insertion	See note
B5 SATURN	AFII 150	0.65 X 60°W		140			AF2-9	#0	HLX50HC			
B5 SATURN	AFII 150	0.75 X 60°W/AR		140			AF2-9	#0	HLX50HC			
B5 SATURN	AFII 150	0.85 X 60°W/AR		140			AF2-9	#3	HLX50HC			
B5 SATURN	AFII 150	1.00 X 60°W		140			AF2-9	#3	HLX50HC			
B5 SATURN	AFII 150	1.10 X 60°W		140			AF2-9	#7	HLX50HC			
B5 SATURN	AFII 150	1.25 X 60°W		140			AF2-9	#7	HLX50HC			
BCB3-095 COMET	AFII 85	0.50 X 70°B		180			AF2-6	#3	HLX90HD			
BCB3-095 COMET	AFII 85	0.65 X 60°A		140			AF2-6	#5	HLX90HD			
BCB5-140 COMET	AFII 150	0.75 X 60°A		140			AF2-9	#0	HLX90HC			
BCB5-140 COMET	AFII 150	0.85 X 60°B		140			AF2-9	#0	HLX90HC			
BCB5-140 COMET	AFII 150	1.00 X 60°B		140			AF2-9	#0	HLX90HC			
BCFG-180 COMET	AFG	1.25 X 60°B		145			F12	2¾"	AF90XO	5¼"		
BCFG-200 COMET	AFG	1.35 X 60°B		145			F12	2¾"	AF90XO	5¼"		
BCFG-220 COMET	AFG	1.50 X 60°B		145			F22	2¾"	AF90XP	5¼"		
BCFG-250 COMET	AFG	1.75 X 60°B		100			F22	2¾"	AF90XP	5¼"		
BNTG-100 NOVA	AFG	0.75 X 80°B		140			F3	2¾"	AF72XN	5½"		
BNTG-110 NOVA	AFG	0.65 X 80°B		140			F3	2¾"	AF72XN	5½"		
BNTG-125 NOVA	AFG	0.85 X 60°W		140			F3	2¾"	AF72XN	5½"		
BNTG-160 NOVA	AFG	0.85 X 60°W		140			F3	2¾"	AF72XN	5½"		
BNTG-160 NOVA	AFG	1.00 X 60°W		140			F12	2¾"	AF72XO	5½"		
BNTG-160 NOVA	AFG	1.10 X 60°A		140			F12	2¾"	AF72XO	5½"		
K4CG-090 COMPACT	AFG	0.60 X 45°ES		140			L1	3¾"	AFG70MMASN	2½"	58020094	9, 16, 40
K4CG-090 COMPACT	AFG	0.50 X 45°ES		140		5880	L1	3¾"	AFG70MMASN	2½"	58020094	9, 16, 40
K6CG-120 SUMMIT	AFG	0.60 X 60°A		140			L1	3¾"	AFG70MMASN	2½"	58020094	9, 16, 40
K6CG-120 SUMMIT	AFG	0.65 X 60°A		140			L1	3¾"	AFG70MMASN	2½"	58020094	9, 16, 40
K6CG-120 SUMMIT	AFG	0.75 X 60°A		140			L1	3¾"	AFG70MMASN	2½"	58020094	9, 16, 40
K6CG-120 SUMMIT	AFG	0.85 X 60°A		140			L1	3¾"	AFG70MMASN	2½"	58020094	9, 16, 40
KCR(F)G-120 CONTOUR	AFG	0.75 X 60°A		140			L1	3¾"	AFG70MMASN	2½"	58020094	9, 16, 40
KCR(F)G-120 CONTOUR	AFG	0.85 X 60°A		140			L1	3¾"	AFG70MMASN	2½"	58020094	9, 16, 40
KCR(F)G-120 CONTOUR	AFG	0.65 X 60°A		140			L1	3¾"	AFG70MMASN	2½"	58020094	9, 16, 40
KCR(F)G-120 CONTOUR	AFG	0.60 X 60°A		140			L1	3¾"	AFG70MMASN	2½"	58020094	9, 16, 40
KDFG, KDRG-115 GEMINI	AFG	0.50 X 60°B		140			L1	3¾"	AFG70MMASN	2½"	58020094	9, 16, 40
KDFG, KDRG-115 GEMINI	AFG	0.60 X 60°B		140			L1	3¾"	AFG70MMASN	2½"	58020094	9, 16, 40
KDFG, KDRG-115 GEMINI	AFG	0.75 X 60°B		140			L1	3¾"	AFG70MMASN	2½"	58020094	9, 16, 40
KDFG, KDRG-115 GEMINI	AFG	0.85 X 60°B		140			L1	3¾"	AFG70MMASN	2½"	58020094	9, 16, 40
KDFG, KDRG-115 GEMINI	AFG	0.65 X 60°B		140			L1	3¾"	AFG70MMASN	2½"	58020094	9, 16
KMR(F)G ECLIPSE	AFG	0.65 X 45°ES		140			L1	3¾"	AFG70MMASN	2½"	58020094	9, 16, 40
KMR(F)G ECLIPSE	AFG	0.60 X 45°ES		140			L1	3¾"	AFG70MMASN	2½"	58020094	9, 16, 40
KMR(F)G ECLIPSE	AFG	0.50 X 45°ES		140		5880	L1	3¾"	AFG70MMASN	2½"	58020094	9, 16, 40

Keystone Manufacturing

Model	Burner	Nozzle	Alt. Nozzle	Pump (PSIG)	Air Settings	Baffle	Head	Static Plate / Stop Screw	Air Tube Combination	Depth	Welded Insertion	See note
K07	AFG	1.00 X 80°B	1.00 X 80°B	140			F3	2¾"	AF65XN	4½"		14

Lennox

Model	Burner	Nozzle	Alt. Nozzle	Pump (PSIG)	Air Settings	Baffle	Head	Static Plate / Stop Screw	Air Tube Combination	Depth	Welded Insertion	See note
020Q2-70	AF	0.50 X 80°A		100	S-7 / B-0		F0	3½"	AF50WG			
020Q5-140/154	AFG	1.10 X 80°B		100	S-5 / B-1		F6	2¾"	AF50YB			
020RQ3-105-1	AR	0.75 X 80°S		100			R4	3¾"	AR53XL			23
020RQ3-120-1	AR	0.85 X 80°S		100			R4	3¾"	AR53XL			23
020RQ3-140-1	AR	1.00 X 80°S		100			R4	3¾"	AR53XL			23
020RQ3-154-1	AR	1.10 X 80°S		100			R4	3¾"	AR53XL			23

Lennox Cont.

Model	Burner	Nozzle	Alt. Nozzle	Pump (PSIG)	Air Settings	Baffle	Head	Static Plate / Stop Screw	Air Tube Combination	Depth	Welded Insertion	See note
COWB-3 BLR	AFG	0.75 X 70°A		100	S-8 / B-0		L1	3/4"	AFG50MB			
COWB-3 BLR W/CL	AFG	0.75 X 70°A		100	S-8 / B-0		L1	3/4"	AFG50MB			
COWB-4 BLR	AFG	1.25 X 70°B		100	S-5 / B-1		V1-0	2/4"	AFG50MD			
COWB-4 BLR W/CL	AFG	1.50 X 70°B		100	S-5 / B-1		V1-0	2/4"	AFG50MD			
COWB-5 BLR	AFG	1.75 X 70°B		100	S-5 / B-1		V1-3	2/4"	AFG50MD			
COWB-5 BLR W/CL	AFG	2.00 X 70°B		100	S-10 / B-1		V1-4	2/4"	AFG50MD			
ELO/SLO183UF/68	AFG	0.50 X 80°A	0.50 x 80°H	100	S-4 / B-0	5880	F0	2/4"	AF46XZTHS	5"		2, 58
ELO/SLO183UF/86	AFG	0.65 X 80°B	0.65 x 80°B* (H)	100	S-10 / B-0	5880	F0	2/4"	AF46XZTHS	5"		2, 58
ELO183UF/101	AFG	0.65 X 80°B	0.65 X 80°B* (H)	140	S-6 / B-0	5880	F3	2/4"	AF46XNHS	5"		2
ELO183UF/114	AFG	0.75 X 80°B	0.75 X 80°B* (H)	140	S-8 / B-0	5880	F3	2/4"	AF46XNHS	5"		2
ELO183UF/135	AFG	0.85 X 80°B	0.85 X 80°B* (H)	140	S-6 / B-0		F4	3/4"	AF46WPHS	5"		2
ELO183UF/150	AFG	1.00 X 80°B	1.00 X 80°B* (H)	140	S-9 / B-0		F4	3/4"	AF46WPHS	5"		2
O20Q3-105/120	AFG	0.85 X 80°B		100	S-8 / B-0		F3	2/4"	AF50XN			
O23-105	AFII 85	0.65 X 80°B		140	6		FB3		FBX64HGXS	5"	580444	
O23-120	AFII 85	0.75 X 80°B		140	6		FB3		FBX64HGXS	5"	580444	
O23-140	AFII 150	0.85 X 80°B		140	6		FB6		FBX64HIXS	5"	580445	
O23-154	AFII 150	1.00 X 80°B		140	6		FB6		FBX64HIXS	5"	580445	
O23-175	AFG	1.10 X 80°B		140	S-8 / B-0		F6	2/4"	AF55YB	5/8"		
O23-210	AFG	1.25 X 80°B		140	S-8 / B-0		F6	2/4"	AF55YB	5/8"		
O23-70	AFII 85	0.50 X 80°A(D)		100	3		FB0		FBX64HFXS	5"	580442	32
O24Q2-70-5	AFII 85	0.50 X 80°A		100	3		FB0		FBX64HFXS	5-3/16"	580442	
O24Q3-105/120-5	AFII 85	0.65 X 80°B		140	6		FB3		FBX64HGXS	5-3/16"	580444	
O24Q5-140/154-5	AFII 150	0.85 X 80°B		140	6		FB6		FBX64HIXS	5-3/16"	580445	
O20Q3-105-1	AFG	0.75 X 80°S		100	S-8 / B-0		F3	2/4"	AF50XN			
O20Q3-120-1	AFG	0.85 X 80°S		100	S-8 / B-0		F3	2/4"	AF50XN			
O20Q3-140-1	AFG	1.00 X 80°S		100	S-8 / B-0		F3	2/4"	AF50XN			
O20Q3-154-1	AFG	1.10 X 80°S		100	S-8 / B-0		F3	2/4"	AF50XN			
OF-20-105-1	AR	0.75 X 80°S		100			R4	3/4"	AR53XL			23
OF-20-120-1	AR	0.85 X 80°S		100			R4	3/4"	AR53XL			23
OF-20-140-1	AR	1.00 X 80°S		100			R4	3/4"	AR53XL			23
OF-20-154-1	AR	1.10 X 80°S		100			R4	3/4"	AR53XL			23
OF-20-175-1	AF	1.25 X 70°S		100	S-7 / B-0		F12	2/4"	AF65XO			
OF-20-210-1	AF	1.50 X 80°S		100	S-7 / B-0		F12	2/4"	AF65XO			
OF-20-245-1	AF	1.75 X 80°S		100	S-7 / B-0		F12	2/4"	AF65XO			
OF20Q3-105/120	AFG	0.75 X 80°B		100	S-8 / B-0		F3	2/4"	AF50XN			
OF20Q3-105/120R	AFG	0.75 X 80°B		100	S-8 / B-0		F3	2/4"	AF55XN			
OF20Q5-140/154	AFG	1.00 X 80°B		100	S-8 / B-0		F6	2/4"	AF50YB			
OF20Q5-140/154R	AFG	1.00 X 80°B		100	S-8 / B-0		F6	2/4"	AF50YB			
OF20Q5-175/210R	AFG	1.25 X 80°B		100	S-8 / B-0		F6	2/4"	AF50YB			
OF24Q2-70-5	AFII 85	0.50 X 80°A		100	3		FB0		FBX64HFXS	5-3/16"	580442	
OF24Q2-70R-5	AFII 85	0.50 X 80°A		100	3		FB0		FBX64HFXS	5-3/16"	580442	
OF24Q3-105/120-5	AFII 85	0.65 X 80°B		140	6		FB3		FBX64HGXS	5-3/16"	580444	
OF24Q3-105/120R-5	AFII 85	0.65 X 80°B		140	6		FB3		FBX64HGXS	5-3/16"	580444	
OF24Q5-140/154-5	AFII 150	0.85 X 80°B		140	6		FB6		FBX64HIXS	5-3/16"	580445	
OF24Q5-140/154R-5	AFII 150	0.85 X 80°B		140	6		FB6		FBX64HIXS	5-3/16"	580445	
OS20-175-1	AF	1.25 X 70°S		100	S-7 / B-0		F12	2/4"	AF65XO			
OS20-210-1	AF	1.50 X 70°S		100	S-7 / B-0		F12	2/4"	AF65XO			
OS20-245-1	AF	1.75 X 70°S		100	S-7 / B-0		F12	2/4"	AF65XO			
OS20Q3-105-1	AR	0.75 X 80°S		100			R4	3/4"	AR53XL			23
OS20Q3-120-1	AR	0.85 X 80°S		100			R4	3/4"	AR53XL			23
OS20Q3-140-1	AR	1.00 X 80°S		100			R4	3/4"	AR53XL			23
OS20Q3-154-1	AR	1.10 X 80°S		100			R4	3/4"	AR53XL			23
OSR20Q3-105/120	AFG	0.75 X 80°B		100	S-8 / B-0		F3	2/4"	AF50XN			
OSR20Q3-105/120	AFG	0.85 X 80°B		100	S-8 / B-0		F3	2/4"	AF50XN			
OSR20Q5-140/154	AFG	1.00 X 80°B		100	S-8 / B-0		F6	2/4"	AF55YB			

Lennox Cont.

Model	Burner	Nozzle	Alt. Nozzle	Pump (PSIG)	Air Settings	Baffle	Head	Static Plate / Stop Screw	Air Tube Combination	Depth	Welded Insertion	See note
SLO185/105	NX	0.65 X 60°A	0.65 X 60°W	150	3.75		6-Slot		NX70LHHS	5"	58020284	55
SLO185/79	NX	0.50 X 60°A	0.50 X 60°W	150	3	32229	6-Slot		NX70LHHS	5"	58020284	55
SLO185UF/124	NX	0.75 X 60°A	0.75 X 60°W	150	3.25		6-Slot		NX70LCHS	5"		55
SLO185UF/141	NX	0.85 X 60°A	0.85 X 60°W	150	3.75		6-Slot		NX70LCHS	5"		55

Lochinvar

Model	Burner	Nozzle	Alt. Nozzle	Pump (PSIG)	Air Settings	Baffle	Head	Static Plate / Stop Screw	Air Tube Combination	Depth	Welded Insertion	See note
BRE 030	AF	0.65 X 80°B		100			F0	3/8"	AF60XR			
BRE 032-B	AF	0.75 X 80°B		100			F3	2/4"	AF55XN			
BRE 050-B	AF	1.00 X 80°B		100			F3	2/4"	AF55XN			
BRE 051	AF	0.75 X 80°A		100			F0	3/8"	AF65XR			
BRE 070	AF	1.00 X 80°A		100			F3	2/4"	AF72XN			
BRE 75-B	AF	1.00 X 80°B		100			F3	2/4"	AF55XN			

Luxaire

Model	Burner	Nozzle	Alt. Nozzle	Pump (PSIG)	Air Settings	Baffle	Head	Static Plate / Stop Screw	Air Tube Combination	Depth	Welded Insertion	See note
PCOU-LD12F055A	AFG	0.50 X 80°B		100	S-8 / B-0	5880	D1	3/8"	AF47JSSS			7, 27
PCUFD12F05501	AFG	0.50 X 80°B		100	S-8 / B-0	5880	D1	3/8"	AF47JSSS			7, 27
PCCFD16F08501	AFG	0.75 X 70°A		100	S-8 / B-0	5880	F3H	3/8"	AF47YTSS			27
PCCFD16F10001	AFG	0.90 X 70°A		100	S-8 / B-0	5880	F3H	3/8"	AF47YTSS			27
PCCFD16F12501	AFG	1.10 X 70°A		100	S-9 / B-1	5880	F6H	2/4"	AF67JPSS			27
PCHFB15F15001	AFG	1.35 X 70°A		100	S-9 / B-1		F6H	2/4"	AF67JPSS			27
PCHFB17F12501	AFG	1.10 X 70°A		100	S-9 / B-1	5880	F6H	2/4"	AF67JPSS			27
PCHFD17F08501	AFG	0.75 X 70°A		100	S-8 / B-0	5880	F3H	3/8"	AF47YTSS			27
PCHFD17F10001	AFG	0.90 X 70°A		100	S-8 / B-0	5880	F3H	3/8"	AF47YTSS			27
PCLFB17F12501	AFG	1.10 X 70°A		100	S-9 / B-1	5880	F6H	2/4"	AF67JPSS			27
PCLFB20F15001	AFG	1.35 X 70°A		100	S-9 / B-1		F6H	2/4"	AF67JPSS			27
PCLFD12F08501	AFG	0.75 X 70°A		100	S-8 / B-0	5880	F3H	3/8"	AF47YTSS			27
PCLFD16F10001	AFG	0.90 X 70°A		100	S-8 / B-0	5880	F3H	3/8"	AF47YTSS			27
PCOC-LD16F100A	AFG	0.90 X 79°A		100	S-8 / B-0	5880	F3H	3/8"	AF47YTSS			27
PCOC-LD16F125A	AFG	1.10 X 70°A		100	S-9 / B-1	5880	F6H	2/4"	AF67JPSS			27
PCOC-LD16F085A	AFG	0.75 X 70°A		100	S-8 / B-0	5880	F3H	3/8"	AF47YTSS			27
PCOH-LB15F150A	AFG	1.35 X 70°A		100	S-9 / B-1		F6H	2/4"	AF67JPSS			27
PCOH-LB17F125A	AFG	1.10 X 70°A		100	S-9 / B-1	5880	F6H	2/4"	AF67JPSS			27
PCOH-LD17F085A	AFG	0.75 X 70°A		100	S-8 / B-0	5880	F3H	3/8"	AF47YTSS			27
PCOH-LD17F100A	AFG	0.90 X 70°A		100	S-8 / B-0	5880	F3H	3/8"	AF47YTSS			27
PCOL-LB17F125A	AFG	1.10 X 70°A		100	S-9 / B-1	5880	F6H	2/4"	AF67JPSS			27
PCOL-LB17F150A	AFG	1.35 X 70°A		100	S-9 / B-1		F6H	2/4"	AF67JPSS			27
PCOL-LB20F150A	AFG	1.35 X 70°A		100	S-9 / B-1		F6H	2/4"	AF67JPSS			27
PCOL-LD12F085A	AFG	0.75 X 70°A		100	S-8 / B-0	5880	F3H	3/8"	AF47YTSS			27
PCOL-LD16F100A	AFG	0.90 X 70°A		100	S-8 / B-0	5880	F3H	3/8"	AF47YTSS			27
PCOU-LD16F100A	AFG	0.90 X 70°A		100	S-8 / B-0	5880	F3H	3/8"	AF47YTSS			27
PCOU-LD16F125A	AFG	1.10 X 70°A		100	S-9 / B-1	5880	F6H	2/4"	AF67JPSS			27
PCOU-LD17F085A	AFG	0.75 X 70°A		100	S-8 / B-0	5880	F3H	3/8"	AF47YTSS			27
PCOU-LD20F125A	AFG	1.10 X 70°A		100	S-9 / B-1	5880	F6H	2/4"	AF67JPSS			27
PCUFD16F10001	AFG	0.90 X 70°A		100	S-8 / B-0	5880	F3H	3/8"	AF47YTSS			27
PCUFD16F12501	AFG	1.10 X 70°A		100	S-9 / B-1	5880	F6H	2/4"	AF67JPSS			27
PCUFD17F08501	AFG	0.75 X 70°A		100	S-8 / B-0	5880	F3H	3/8"	AF47YTSS			27
PCUFD20F12501	AFG	1.10 X 70°A		100	S-9 / B-1	5880	F6H	2/4"	AF67JPSS			27
PDLFD16F10001	AFG	0.90 X 70°A		100	S-8 / B-0	5880	F3H	3/8"	AF47YTSS			27
PDLFD17F12501	AFG	1.10 X 70°A		100	S-9 / B-1	5880	F6H	2/4"	AF67JPSS			27

Luxaire Cont.

Model	Burner	Nozzle	Alt. Nozzle	Pump (PSIG)	Air Settings	Baffle	Head	Static Plate / Stop Screw	Air Tube Combination	Depth	Welded Insertion	See note
PDLFD20F15001	AFG	1.35 X 70°A		100	S-9 / B-1		F6H	2¼"	AF67JPSS			27
PAFHD12F05501	AFG	0.50 X 80°S		100	S-8 / B-0	5880	F3	3¾"	AF47YHFS			1
PAFHD12F07301	AFG	0.75 X 70°H		100	S-8 / B-0	5880	F3	3¾"	AF47YHFS			1
PAFHD16F10001	AFG	0.90 X 70°H		100	S-8 / B-0	5880	F3	3¾"	AF47YHFS			1
PAFHD18F12501	AFG	1.10 X 70°H		100	S-9 / B-1	5880	F6	2¼"	AF67YBFS			1
P-FHD12F05501	AFG	0.50 X 80°S		100	S-8 / B-0	5880	F3	3¾"	AF47YHFS			1
P-FHD12F08501	AFG	0.75 X 70°H		100	S-8 / B-0	5880	F3	3¾"	AF47YHFS			1
P-FHD16F10001	AFG	0.90 X 70°H		100	S-8 / B-0	5880	F3	3¾"	AF47YHFS			1
P-FHD20F12501	AFG	1.10 X 70°H		100	S-9 / B-1	5880	F6	2¼"	AF67YBFS			1
P-FLD12F05501	AFG	0.50 X 80°S		100	S-8 / B-0	5880	F3	3¾"	AF47YHFS			1
P-FLD12F08501	AFG	0.75 X 70°H		100	S-8 / B-0	5880	F3	3¾"	AF47YHFS			1
P-FLD12F08501A	AFG	0.75 X 70°H		100	S-8 / B-0	5880	F3	3¾"	AF47YHFS			1
P-FLD16F10001	AFG	0.90 X 70°H		100	S-8 / B-0	5880	F3	3¾"	AF47YHFS			1
P-FLD16F10001A	AFG	0.90 X 70°H		100	S-8 / B-0	5880	F3	3¾"	AF47YHFS			1
P-FLD20F12501	AFG	1.10 X 70°H		100	S-9 / B-1	5880	F6	2¼"	AF67YBFS			1
P-FLD20F12501A	AFG	1.10 X 70°H		100	S-9 / B-1	5880	F6	2¼"	AF67YBFS			1
P-FMD12F05501A	AFG	0.50 X 70°H		100	S-8 / B-0	5880	F3	3¾"	AF47YHFS			1
P-FMD12F08501A	AFG	0.75 X 70°H		100	S-8 / B-0	5880	F3	3¾"	AF47YHFS			1
P-FMD16F08501A	AFG	0.75 X 70°H		100	S-8 / B-0	5880	F3	3¾"	AF47YHFS			1
P-FMD16F10001A	AFG	0.90 X 70°H		100	S-8 / B-0	5880	F3	3¾"	AF47YHFS			1
P-FMD20F10001A	AFG	0.90 X 70°H		100	S-8 / B-0	5880	F3	3¾"	AF47YHFS			1
P-FMD20F12501A	AFG	1.10 X 70°H		100	S-9 / B-1	5880	F6	2¼"	AF67YBFS			1
P-FMD20F17001A	AFG	1.50 X 70°S		100	S-5 / B-2		F12	2¼"	AF67XOFS			1

Metromatic Manufacturing Co.

Model	Burner	Nozzle	Alt. Nozzle	Pump (PSIG)	Air Settings	Baffle	Head	Static Plate / Stop Screw	Air Tube Combination	Depth	Welded Insertion	See note
HB100	AF	0.85 X 80°A		100	S-7 / B-0		F3	2¼"	AF90XN			
HB100	AFG	0.85 X 70°B	0.85 X 80°B	100	S-7 / B-0		F3	2¼"	AF90XN			
HB120	AF	1.00 X 80°A		100	S-7 / B-0		F3	2¼"	AF90XN			
HB120	AFG	1.00 X 70°B	1.00 X 80°B	100	S-7 / B-0		F3	2¼"	AF90XN			
HB140	AF	1.25 X 80°A		100	S-7 / B-0		F3	2¼"	AF90XN			
HB140	AFG	1.25 X 70°B	1.25 X 80°B	100	S-7 / B-0		F3	2¼"	AF104XN			
HB200	AF	1.75 X 80°A		100	S-7 / B-0		F12	2¼"	AF130XO			
HB200	AFG	1.75 X 70°B	1.75 X 80°B	100	S-7 / B-0		F12	2¼"	AF90XO			
HB275	AF	2.25 X 80°A		100	S-7 / B-0		F22	2¼"	AF130XP			
HB275	AFG	2.25 X 70°B	2.25 X 80°B	100	S-7 / B-0		F22	2¼"	AF130XP			
HB84	AF	0.75 X 80°A		100	S-7 / B-0		F3	2¼"	AF90XN			
HB84	AFG	0.75 X 70°B	0.75 X 80°B	100	S-7 / B-0		F3	2¼"	AF90XN			
LB100	AF	0.85 X 80°A		100	S-7 / B-0		F3	2¼"	AF90XN			
LB100	AFG	0.85 X 70°B	0.85 X 80°B	100	S-7 / B-0		F3	2¼"	AF90XN			
LB120	AF	1.00 X 80°A		100	S-7 / B-0		F3	2¼"	AF90XN			
LB120	AFG	1.00 X 70°B	1.00 X 80°B	100	S-7 / B-0		F3	2¼"	AF90XN			
LB140	AF	1.10 X 80°A		100	S-7 / B-0		F3	2¼"	AF65XN			
LB140	AFG	1.25 X 70°B	1.25 X 80°B	100	S-7 / B-0		F3	2¼"	AF104XN			
LB200	AF	1.75 X 80°A		100	S-7 / B-0		F12	2¼"	AF130XO			
LB200	AFG	1.75 X 70°B	1.75 X 80°B	100	S-7 / B-0		F12	2¼"	AF90XO			
LB275	AF	2.25 X 80°A		100	S-7 / B-0		F22	2¼"	AF130XP			
LB275	AFG	2.25 X 70°B	2.25 X 80°B	100	S-7 / B-0		F22	2¼"	AF130XP			
LB84	AF	0.75 X 80°A		100	S-7 / B-0		F3	2¼"	AF90XN			
LB84	AFG	0.75 X 70°B	0.75 X 80°B	100	S-7 / B-0		F3	2¼"	AF90XN			
SU100	AF	0.85 X 80°A		100	S-7 / B-0		F3	2¼"	AF90XN			
SU100	AFG	0.85 X 70°B	0.85 X 80°B	100	S-7 / B-0		F3	2¼"	AF90XN			
SU120	AF	1.00 X 80°A		100	S-7 / B-0		F3	2¼"	AF90XN			

Metromatic Manufacturing Co. Cont.

Model	Burner	Nozzle	Alt. Nozzle	Pump (PSIG)	Air Settings	Baffle	Head	Static Plate / Stop Screw	Air Tube Combination	Depth	Welded Insertion	See note
SU120	AFG	1.00 X 70°B	1.00 X 80°B	100	S-7 / B-0		F3	2 3/4"	AF90XN			
SU140	AF	1.25 X 80°A		100	S-7 / B-0		F3	2 3/4"	AF90XN			
SU140	AFG	1.25 X 70°B	1.25 X 80°B	100	S-7 / B-0		F3	2 3/4"	AF104XN			
SU200	AF	1.75 X 80°A		100	S-7 / B-0		F12	2 3/4"	AF130XO			
SU200	AFG	1.75 X 70°B	1.75 X 80°B	100	S-7 / B-0		F12	2 3/4"	AF90XO			
SU275	AF	2.25 X 80°A		100	S-7 / B-0		F22	2 3/4"	AF130XP			
SU275	AFG	2.25 X 70°B	2.25 X 80°B	100	S-7 / B-0		F22	2 3/4"	AF130XP			
SU84	AF	0.75 X 80°A		100	S-7 / B-0		F3	2 3/4"	AF90XN			
SU84	AFG	0.75 X 70°B	0.75 X 80°B	100	S-7 / B-0		F3	2 3/4"	AF90XN			

Modine Manufacturing Co.

Model	Burner	Nozzle	Alt. Nozzle	Pump (PSIG)	Air Settings	Baffle	Head	Static Plate / Stop Screw	Air Tube Combination	Depth	Welded Insertion	See note
POH/POR100	AF	0.75 X 70°B	0.75 X 70°B* (H)	130	S-5 / B-0		F4	3 3/8"R	AF83BZ	4 1/8"		
POH/POR145	AF	1.10 X 70°B	1.10 X 70°B* (H)	130	S-10 / B-3		F4	3 3/8"R	AF83BZ	4 1/8"		
POH/POR185	AF	1.65 X 70°B	1.65 X 70°B* (H)	100	S-4 / B-5		F12	2 3/4"	AF83XO	4 1/8"		

Monitor

Model	Burner	Nozzle	Alt. Nozzle	Pump (PSIG)	Air Settings	Baffle	Head	Static Plate / Stop Screw	Air Tube Combination	Depth	Welded Insertion	See note
FCX	NX	0.50 X 60°AH	0.50 X 60°A	175	1.75	32229	6-Slot		NX50LC	3"		15
FCX	NX	0.50 X 60°AH	0.50 X 60°A	150	1.25	32229	6-Slot		NX50LC	3"		15

New Yorker

Model	Burner	Nozzle	Alt. Nozzle	Pump (PSIG)	Air Settings	Baffle	Head	Static Plate / Stop Screw	Air Tube Combination	Depth	Welded Insertion	See note
CI-HGS-101B	AFG	0.65 X 45°B	0.65 X 45°B* (H)	150	S-6 / B-0		L2	3 3/8"	AFG70MQASN	2"		31
CI-HGS-129B	AFG	0.85 X 60°B		150	S-7 / B-1		L1	3 3/8"	AFG70MMAQN	2"		
CI-HGS-74B	AFG	0.50 X 45°W	0.50 X 45°B	150	S-6 / B-0	5880	L2	3 3/8"	AFG70MQASN	2"		
AP-490	AFG	0.65 X 80°AB		140	S-7 / B-0	5880	F3	3 1/2"	AF40WR	1"	58020180	39
AP-590	AFG	0.85 X 80°B* (H)	0.85 X 80°B	140	S-4 / B-0		F4	3 3/8"R	AF40BZ	1"	58020151	31
AP-690	AFG	0.90 X 80°B* (H)	0.90 X 80°B	140	S-6 / B-0		F4	3 1/2"	AF40WB	1"	58020181	31
AP-790	AFG	1.10 X 80°B* (H)		140			F4	3 3/8"R	AF40BZ	1"	58020151	31
AP-870	AFG	1.25 X 80°B* (H)	1.25 X 80°AS	140	S-10 / B-3		F6	3 3/8"	AF40WN	1"	58020182	31
CI-HGS-127B/DV	NX	0.85 X 60°B* (H)	0.85 X 60°B	150	2.75		9-Slot		NX70LB	2"		31
CI-HGS-176B/DV	NX	1.00 X 45°B* (H)	1.00 X 45°B	180	1		9-Slot		NX90LD	3 1/2"		31
CL3-105	AFG	0.65 X 45°B* (H)		140	S-6 / B-0		L1	3 3/8"	AFG70MBAS	2 1/4"	58020041	31
CL3-140	AFG	0.85 X 45°B* (H)		140	S-10 / B-1		L1	3 3/8"	AFG70MBAS	2 1/4"	58020041	31
CL4-175	AFG	1.00 X 45°B* (H)		175	S-10 / B-1		V1-0	2 3/4"	AFG70MDAS	2 1/4"	58020042	31
CL4-210	AFG	1.10 X 45°B* (H)		175	S-10 / B-2		V1-0	2 3/4"	AFG70MDAS	2 1/4"	58020042	31
CL5-168	AFG	0.90 X 45°B* (H)		175	S-10 / B-0		V1-2	2 3/4"	AFG70MDAS	2 1/4"	58020042	31
CL5-245	AFG	1.35 X 45°B* (H)		175	S-7 / B-3		V1-3	2 3/4"	AFG70MDAS	2 1/4"	58020042	31
CL5-280	AFG	1.50 X 45°B* (H)		175	S-10 / B-3		V1-4	NONE	AFG70MLAS	2 1/4"		31
FR-122	AFG	0.90 X 60°B* (H)	0.90 X 60°B	140	S-9 / B-0		V1-0	2 3/4"	AFG70MDAS	1 3/8"	58020245	31
FR-122	AFG	0.90 X 45°B* (H)		140	S-10 / B-2		L1	3 3/8"	AFG50MBAS	1 3/8"	580577	31
FR-147	AFG	1.00 X 60°B* (H)	1.00 X 60°B	140	S-10 / B-0		V1-0	2 3/4"	AFG70MDAS	1 3/8"	58020245	31
FR-173	AFG	1.25 X 60°B* (H)	1.25 X 60°B	140	S-5 / B-3		V1-2	2 3/4"	AFG70MDAS	1 3/8"	58020245	31
FR-205	AFG	1.50 X 60°B* (H)	1.50 X 60°B	140	S-10 / B-3		V1-3	2 3/4"	AFG70MDAS	1 3/8"	58020245	31
FR-232	AFG	1.65 X 60°B	1.65 X 60°B* (H)	140	S-4 / B-4		V1-4	2 3/4"	AFG70MDAS	1 3/8"	58020245	31
FR-98	AFG	0.75 X 60°B* (H)	0.75 X 60°B	140	S-10 / B-0	5880	V1-0	2 3/4"	AFG70MDAS	1 3/8"	58020245	31
FR-HGS	AFG	0.85 X 60°B* (H)		140	S-9 / B-1		L1	3 3/8"	AFG70MBAS	1 3/8"	580474	31
MICROTEK III	AFG	0.50 X 70°B* (H)		140	S-7 / B-0	5880	L1	3 3/8"	AFG50MBAS	1 1/2"	580474	31
MICROTEK III	AFG	0.85 X 60°B* (H)	0.85 X 60°B	140	S-10 / B-0		L1	3 3/8"	AFG50MBAS	1 1/2"	580474	31

New Yorker Cont.

Model	Burner	Nozzle	Alt. Nozzle	Pump (PSIG)	Air Settings	Baffle	Head	Static Plate / Stop Screw	Air Tube Combination	Depth	Welded Insertion	See note
S-118-AP	AFG	0.85 X 80°B* (H)		140			F4	3/8"R	AF40BZ		58020151	31
S-131-AP	AFG	1.00 X 80°B* (H)		140	S-10 / B-2		F4	3/8"R	AF40BZ	1"	58020151	31
S-154-AP	AFG	1.10 X 80°B* (H)		140	S-8 / B-0		F4	3/8"R	AF40BZ	1"	58020151	31
S-176-AP	AFG	1.25 X 80°B* (H)		140	S-10 / B-3		F6	3/8"R	AF40WN	1"	58020182	31
S-97-AP	AFG	0.75 X 80°B* (H)		140	S-7 / B-0		F6	3/8"R	AF40WN	1"	58020182	31
WH-176	AFG	1.25 X 80°B* (H)		140	S-10 / B-3		F6	3/8"R	AF40WN	1"	58020182	31
CI-HGS-167B	AFG	1.10 X 60°B		150	S-7 / B-2		V1-0	NONE	AFG70MLASN	2"	58020204	
MICROTEK III (D.V.I.) AFII 150	AFII 150	0.85 X 60°B		140	3		AF2-9	#3	HLX50HE	2"	580491	5, 6
MICROTEK III (D.V.I.) AFII 150	AFII 150	1.00 X 60°B		140	4		AF2-9	#5	HLX50HE	2"	580491	5, 6
MICROTEK III (D.V.I.) AFII 85	AFII 85	0.50 X 70°B		140	2		AF2-6	#2	HLX50HD	2"	580480	5, 6
AP-1070	SF	2.50 X 80°B		100	S-4 / B-0		F220	2/4"	SF56FZ	3/8"		
AP-1170	SF	3.00 X 80°B		100	S-5 / B-0		F220	2/4"	SF56FZ	3/8"		
AP-970	AFG	1.50 X 80°B	1.50 X 80°B* (H)	140	S-10 / B-2		F12	2/4"	AF40XO	1"	58020065	
CL3-091	AFG	0.55 X 70°B		140	S-8 / B-0	5880	L1	3/8"	AFG70MBAS	2/4"		31
CL4-126	AFG	0.75 X 45°B		140	S-7 / B-0		L1	3/8"	AFG70MBAS	2/4"		
CLS-3	AFG	0.85 X 80°A		140	S-8 / B-1		F3	3/8"	AF40YH	1-7/16"	58020125	
CLS-4	AFG	1.10 X 80°B		140	S-10 / B-1		F4	3/8"	AF40WP	1-7/16"		
CLS-5	AFG	1.35 X 80°B		140	S-10 / B-3		F6	2/4"	AF40YB	1-7/16"		
CLS-6	AFG	1.50 X 80°B		140	S-10 / B-3		F12	2/4"	AF40XO	1-7/16"		
CLS-7	AFG	1.75 X 80°B		140	S-10 / B-2		F16	NONE	AF40WK	1-7/16"		
CLS-8	AFG	2.00 X 60°B		140	S-10 / B-6		V1-4	2/4"	AFG50MD	1-7/16"		
CLW-3	AFG	0.65 X 80°A	0.65 X 80°H	140	S-10 / B-2	5880	F0	3/8"	AF40XR	1-7/16"		
CLW-3	AFG	0.85 X 80°B	0.85 X 80°B* (H)	140	S-10 / B-2	5880	F3	3/8"	AF40YH	1-7/16"	58020125	
CLW-4	AFG	1.00 X 80°B	1.00 X 80°S	100	S-8 / B-0		F3	2/4"	AF40XN	1-7/16"	58020110	
CLW-4	AFG	1.35 X 80°B	1.35 X 80°ES	100	S-8 / B-0		F6	2/4"	AF40YB	1-7/16"		
CLW-5	AFG	1.25 X 80°B	1.25 X 70°R	100	S-8 / B-0		F6	2/4"	AF40YB	1-7/16"		
CLW-5	AFG	1.65 X 80°B	1.65 X 80°ES	100	S-8 / B-0		F6	2/4"	AF40YB	1-7/16"		
CLW-6	AFG	1.65 X 80°B		100	S-10 / B-1		F6	2/4"	AF40YB	1-7/16"		
CLW-6	AFG	2.00 X 80°B	2.00 X 80°ES	100	S-10 / B-1		F16	2/4"	AF40BT	1-7/16"		
CPH-176	AFG	1.50 X 80°A		100			F6	3/8"	AF62YY			
CPH-284	SF	2.50 X 80°B		100	S-4 / B-0		F220	2/4"	SF56FZ	3/8"		
CPH-339	SF	3.00 X 80°B		100	S-5 / B-0		F220	2/4"	SF56FZ	3/8"		
CPH-396	SF	4.00 X 80°B		100	S-5 / B-0		F300	NONE	SF56SA	3/8"	58020283	
FD-252	SF	2.50 X 80°B		100			F163	2/4"	SF56FE			
FD-252	SF	2.50 X 80°B		100	S-5 / B-0		F220	2/4"	SF56FZ	3/8"		
FD-330	SF	3.00 X 80°B		100			F220	NONE	SF56FD		580422	
FD-396	SF	4.00 X 80°B		100			F300	NONE	SF56SA		58020283	
FD-453	SF	4.50 X 80°B		100	S-5 / B-2		F300	NONE	SF56SA	3/8"	58020283	
FR-122	AFG	1.10 X 80°A		100			F6	3/8"	AF62YY		580332	
FR-147	AFG	1.25 X 80°A		100			F6	3/8"	AF62YY		580332	
FR-173	AFG	1.50 X 80°A		100			F6	3/8"	AF62YY		580332	
FR-205	AFG	1.75 X 80°A		100			F12	2/4"	AF62XO			
FR-232	AFG	2.00 X 80°A		100			F16	2/4"	AF62WF			
FR-265	SF	2.00 X 80°B		140	S-5 / B-0		F220	NONE	SF56FD	3/8"	580422	
FR-265	SF	2.00 X 80°B	2.00 X 80°B* (H)	140	S-9 / B-0		F16	2/4"	SF56FM	3/4"		
FR-305	SF	2.25 X 80°B		140	S-5 / B-2		F220	NONE	SF56FD	3/8"		
FR-305	SF	2.25 X 80°B	2.25 X 80°P	140	S-10 / B-2		F16	2/4"	SF56FM	3/4"		
FR-350	SF	3.00 X 80°B		100	S-5 / B-3		F220	NONE	SF56FD	3/8"	580422	
FR-400	SF	3.50 X 80°B		100	S-5 / B-3		F220	NONE	SF56FD	3/8"	580422	
FR-462	SF	4.00 X 80°B		100	S-5 / B-2		F300	NONE	SF56SA	3/8"	58020283	
FR-98	AFG	0.85 X 80°A		100			F3	3/8"	AF62YH			
FR-98	AFG	0.75 X 45°B	0.75 X 45°B* (H)	140	S-8 / B-0		L1	3/8"	AFG50MB	1/8"		
FR-HGS	AFG	0.85 X 80°A		140			F3	3/8"	AF62YH			
FR-HGS	AFG	1.00 X 80°A		140		5880	F6	3/8"	AF62YY		580332	

New Yorker Cont.

Model	Burner	Nozzle	Alt. Nozzle	Pump (PSIG)	Air Settings	Baffle	Head	Static Plate / Stop Screw	Air Tube Combination	Depth	Welded Insertion	See note
FR-HGSII	AFG	1.10 X 80°A	1.10 X 80°NS	140			F6	3/8"	AF62YY		580332	
FR-HGSII	AFG	1.10 X 60°W		140	S-9 / B-2		V1-0	NONE	AFG70MLAS	1 1/2"		
MICROTEK III	AFG	1.10 X 45°B		140	S-10 / B-1		V1-0	2 3/4"	AFG50MDAS	1 1/2"		
OS-123-1	AFG	1.10 X 80°A		100			F6	3/8"	AF62YY		580332	
OS-140-1	AFG	1.25 X 80°A		100			F6	3/8"	AF62YY		580332	
OS-161-1	AFG	1.50 X 80°A		100			F6	3/8"	AF62YY		580332	
OS-191-1	AFG	1.75 X 80°A		100			F12	2 3/4"	AF62XO			
OS-227-1	SF	2.00 X 80°B		100			F220	2 3/4"	SF56FZ			
OS-270-1	SF	2.50 X 80°B		100	S-5 / B-2		F220	2 3/4"	SF56FZ			
PH-176	AFG	1.50 X 80°A		100			F6	3/8"	AF62YY			
PH-203	AFG	1.75 X 80°A		100			F12	2 3/4"	AF62XO			
PH-284	SF	2.50 X 80°B		100			F220	2 3/4"	SF56FZ			
PH-339	SF	3.00 X 80°B		100			F220	2 3/4"	SF56FZ			
S-203-AP	AFG	1.50 X 80°B		140	S-10 / B-2		F12	2 3/4"	AF40XO	1"	58020065	
S-284-AP	SF	2.50 X 80°B		100			F220	2 3/4"	SF56FZ			
S-339-AP	SF	3.00 X 80°B		100			F220	2 3/4"	SF56FZ			
WH-284	SF	2.50 X 80°B		100			F220	2 3/4"	SF56FZ			
WH-339	SF	3.00 X 80°B		100			F220	2 3/4"	SF56FZ			
WH-396	SF	4.00 X 80°B		100			F300	NONE	SF56SA		58020283	

Newmac / United States Stove

Model	Burner	Nozzle	Alt. Nozzle	Pump (PSIG)	Air Settings	Baffle	Head	Static Plate / Stop Screw	Air Tube Combination	Depth	Welded Insertion	See note
NL2	AFG	0.85 X 70°A		100	S-7 / B-0	5880	F4	3/8"	AF81WPHSSS	6 1/2"	58020075	2, 27, 42
NL2-101	AFG	0.85 X 70°A	0.85 X 70°NS	100	S-7 / B-0	5880	F4	3/8"	AF81WPHSSS	6 1/2"	58020075	2, 27, 42
NL2-118	AFG	1.00 X 70°A	1.00 X 70°NS	100	S-7 / B-0		F4	3/8"	AF81WPHSSS	6 1/2"	58020075	2, 27, 42
NL2-77	AFG	0.65 X 70°A	0.65 X 70°NS	100	S-7 / B-0	5880	F4	3/8"	AF81WPHSSS	6 1/2"	58020075	2, 27, 42
NL2-89	AFG	0.75 X 70°A	0.75 X 70°NS	100	S-7 / B-0	5880	F4	3/8"	AF81WPHSSS	6 1/2"	58020075	2, 27, 42
NL3	AFG	1.25 X 70°A	1.25 X 70°NS	100	S-10 / B-0		F6	3/8"	AF81YYHSSS	7-13/16"	58020019	2, 27, 42
NL3-121	AFG	1.00 X 70°A		100	S-10 / B-0		F6	3/8"	AF81YYHSSS	7-13/16"	58020019	2, 27, 42
NL3-149	AFG	1.25 X 70°A		100	S-10 / B-0		F6	3/8"	AF81YYHSSS	7-13/16"	58020019	2, 27, 42
NL3-160	AFG	1.35 X 70°A	1.35 X 70°NS	100	S-10 / B-0		F6	3/8"	AF81YYHSSS	7-13/16"	58020019	2, 27, 42
NL3-177	AFG	1.50 X 70°A	1.50 X 70°NS	100	S-10 / B-0		F6	3/8"	AF81YYHSSS	7-13/16"	58020019	2, 27, 42
NLF	AFG	0.85 X 70°A		100	S-7 / B-0	5880	F4	3/8"	AF81WPHSSS	7-13/16"	58020075	2, 27, 42
NLF-101	AFG	0.85 X 70°A		100	S-7 / B-0	5880	F4	3/8"	AF81WPHSSS	7-13/16"	58020075	2, 27, 42
NLF-118	AFG	1.00 X 70°A		100	S-7 / B-0		F4	3/8"	AF81WPHSSS	7-13/16"	58020075	2, 27, 42
NLF-77	AFG	0.65 X 70°A	0.65 X 70°NS	100	S-7 / B-0	5880	F4	3/8"	AF81WPHSSS	7-13/16"	58020075	2, 27, 42
NLF-89	AFG	0.75 X 70°A	0.75 X 70°NS	100	S-7 / B-0	5880	F4	3/8"	AF81WPHSSS	7-13/16"	58020075	2, 27, 42
NMR	AFG	0.85 X 70°A		100	S-7 / B-0	5880	F4	3/8"	AF81WPHSSS	7-13/16"	58020075	2, 27, 42
NMR	AFG	0.85 X 70°A		100	S-7 / B-0		F4	3/8"	AF81WPHSSS	7 13/16"	58020075	2, 27, 42
NMR-101	AFG	0.85 X 70°A	0.85 X 70°NS	100	S-7 / B-0	5880	F4	3/8"	AF81WPHSSS	7-13/16"	58020075	2, 27, 42
NMR-118	AFG	1.00 X 70°A	1.00 X 70°NS	100	S-7 / B-0		F4	3/8"	AF81WPHSSS	7-13/16"	58020075	2, 27, 42
NMR-77	AFG	0.65 X 70°A	0.65 X 70°NS	100	S-7 / B-0	5880	F4	3/8"	AF81WPHSSS	7-13/16"	58020075	2, 27, 42
NMR-89	AFG	0.75 X 70°A	0.75 X 70°NS	100	S-7 / B-0	5880	F4	3/8"	AF81WPHSSS	7-13/16"	58020075	2, 27, 42
NV2	AFG	0.65 X 70°A		100			F4	3/8"	AF81WPHSSS	6 1/2"	58020075	2, 27, 42
NV2	AFG	0.75 X 70°A		100			F4	3/8"	AF81WPHSSS	6 1/2"	58020256	2, 27, 42
NV2	AFG	0.85 X 70°A		100	S-7 / B-0		F4	3/8"	AF81WPHSSS	6 1/2"	58020256	2, 27, 42
NV2	AFG	1.00 X 70°A		100			F4	3/8"	AF81WPHSSS	6 1/2"	58020256	2, 27, 42
NH3	AFG	0.85 X 70°A		100	S-7 / B-0	5880	F3	3/8"	AF60YHHSSS	5"	58020057	2, 27
NH3-101	AFG	0.85 X 70°A	0.85 X 70°H	100	S-7 / B-0	5880	F3	3/8"	AF60YHHSSS	5"	58020057	2, 27
NH3-77	AFG	0.65 X 70°A	0.65 X 70°NS	100	S-7 / B-0	5880	F3	3/8"	AF60YHHSSS	5"	58020057	2, 27
NH3-89	AFG	0.75 X 70°A	0.75 X 70°NS	100	S-7 / B-0	5880	F3	3/8"	AF60YHHSSS	5"	58020057	2, 27
LFR-65	AFG	0.40 X 45°B* (H)		180	S-7 / B-0	5880	L1	3/8"	AFG70MMSS	2"	58020023	16, 31

Newmac / United States Stove Cont.

Model	Burner	Nozzle	Alt. Nozzle	Pump (PSIG)	Air Settings	Baffle	Head	Static Plate / Stop Screw	Air Tube Combination	Depth	Welded Insertion	See note
LFR-80	AFG	0.50 X 45°B		180	S-7 / B-0	5880	L1	3/8"	AFG70MMSS	2"	58020023	16, 31
LFR-89	AFG	0.55 X 45°B* (H)		180	S-7 / B-0		L1	3/8"	AFG70MMSS	2"	58020023	16, 31
NBR-2000	AFII 150	1.10 X 60°B* (H)	1.10 X 45°AS	140	6		6 Slot	#8	HLX50HD	2"		31
J17	AFG	0.85 X 70°A		100	S-7 / B-0		F3	2 3/4"	AF53XN	2 1/8"		
J17	AFG	1.00 X 70°A	1.00 X 70°ES	100	S-7 / B-0		F6	2 3/4"	AF53YB	2 1/8"		
J17	AFG	1.10 X 70°A	1.10 X 70°ES	100	S-9 / B-0		F6	2 3/4"	AF53YB	2 1/8"		
J17	AFG	1.25 X 70°B	1.25 X 70°ES	100	S-10 / B-1		F6	2 3/4"	AF53YB	2 1/8"		
NBR-107	AFG	0.75 X 60°B		140	S-7 / B-0		L1	3/8"	AFG70MBSS	4 1/2"		27
NBR-121	AFG	0.85 X 60°B		140	S-7 / B-0		L1	3/8"	AFG70MBSS	4 1/2"		27
NBR-140	AFG	1.00 X 45°ES		140	S-7 / B-0		V1-0	2 3/4"	AFG70MDSS	4 1/2"	58020002	27
NBR-153	AFG	1.10 X 45°ES		140	S-7 / B-0		V1-0	2 3/4"	AFG70MDSS	4 1/2"	58020002	27
NBR-2000	AFG	1.00 X 45°ES		100	S-7 / B-0		V1-0	2 3/4"	AFG70MDSS	4 1/2"	58020002	27
NBR-2000	AFG	0.65 X 60°B	0.65 X 60°B* (H)	100	S-7 / B-0		L1	3/8"	AFG70MBSS	4 1/2"		27
NBR-2000	AFG	0.75 X 60°B	0.75 X 60°(H)	100	S-7 / B-0		L1	3/8"	AFG70MBSS	4 1/2"		27
NBR-2000	AFG	0.85 X 60°B	0.85 X 60°(H)	100	S-7 / B-0		L1	3/8"	AFG70MBSS	4 1/2"		27
NBR-2000	AFII 150	0.85 X 60°B	0.85 X 60°B* (H)	140	4		6 Slot	#5	HLX50HD	2"		
NBR-2000	AFII 150	1.00 X 60°ES	1.00 X 60°B* (H)	140	4		6 Slot	#7	HLX50HD	2"		
NBR-93	AFG	0.65 X 60°B		140	S-7 / B-0		L1	3/8"	AFG70MBSS	4 1/2"		27

Nordyne / Miller

Model	Burner	Nozzle	Alt. Nozzle	Pump (PSIG)	Air Settings	Baffle	Head	Static Plate / Stop Screw	Air Tube Combination	Depth	Welded Insertion	See note
CMF100PO	AF	0.75 X 80°B		100	S-6 / B-0		F3H	2 3/4"	AF30YP			17
CMF2	AF	0.50 X 80°A	0.50 X 80°H	100	S-3 / B-0		F3	2 3/4"	AF30XN	2 1/2"	58020328	
CMF2-80	AF	0.60 X 80°A	0.60 X 80°H	100	4		F3	2 3/4"	AF30XN	2-7/16"	58020328	
CMF2-90	AF	0.65 X 80°A	0.65 X 80°H	100	5		F3	2 3/4"	AF30XN	2-7/16"	58020328	
CMF3 70 PO	AFG	0.50 X 80°A		120	4	5880	F3	3-5/8"R	AF30BDHS	2-11/16"		
CMF65	AF	0.50 X 80°B		100	S-3 / B-0		F0	3 3/8"R	AF30BO			17
CMF65PO	AF	0.50 X 80°A	0.50 X 80°B* (H)	100	S-3 / B-0		F0	2 3/4"	AF30XZT			17
CMF80PO	AF	0.60 X 80°B	0.60 X 80°B* (H)	100	4		F0	2 3/4"	AF30XZT			17
CRF100	AF	0.75 X 80°B		100	S-6 / B-0		F3H	2 3/4"	AF30YP			17
CRF80	AF	0.60 X 80°B		100	4		F0	2 3/4"	AF30XZT			17
M1SH-066	AF	0.50 X 80°A	0.50 X 80°B* (H)	100	2		F3	2 3/4"	AF33XN	2 3/8"	580543	17, 42
M1SH-086	AF	0.65 X 80°A	0.65 X 80°B* (H)	100	4		F3	2 3/4"	AF33XN	2 3/8"	580543	17, 42
MOC100	AF	0.75 X 80°B		100	S-5 / B-0		F3H	2 3/4"	AF30YP			17
MOC80	AF	0.60 X 80°B		100	4		F0	2 3/4"	AF30XZT			17
MSHA66	AF	0.50 X 80°A		100			F0	2 3/4"	AF35XZT			17
MSHA86	AF	0.65 X 80°A		100	4		F0	2 3/4"	AF35XZT			17

Olsen Technology, Inc.

Model	Burner	Nozzle	Alt. Nozzle	Pump (PSIG)	Air Settings	Baffle	Head	Static Plate / Stop Screw	Air Tube Combination	Depth	Welded Insertion	See note
BBC112	AF	1.00 X 80°A		100			F6	2 3/4"	AF90YB			
BBC124	AF	1.10 X 80°A		100			F6	2 3/4"	AF90YB			
BBC136	AF	1.20 X 80°A		100			F6	2 3/4"	AF90YB			
BBC95	AF	0.85 X 80°A		100			F6	2 3/4"	AF90YB			
BCL100 (CDN. & U.S.)	AF	0.85 X 80°A	0.85 X 80°B	100	S-7 / B-0		F3	2 3/4"	AF65XN			
BCL100S (T)	AF	0.85 X 80°A	0.85 X 80°B	100			F3	2 3/4"	AF76XN			
BCL100SB2U	AFII 150	0.80 X 60°A		140			FB3		FBX80HG	6 1/2"		
BCL115 (CDN. & U.S.)	AF	1.00 X 80°A		100	S-7 / B-0		F3	2 3/4"	AF65XN			
BCL-120S (T)	AF	1.00 X 80°A	1.00 X 80°B	100			F3	2 3/4"	AF76XN			
BCL120SB2U	AFII 150	0.90 X 60°A		140			FB3		FBX80HG	6 1/2"		
BCL125 (CDN. & U.S.)	AF	1.10 X 80°A		100			F6	2 3/4"	AF65YB			

Olsen Technology, Inc. Cont.

Model	Burner	Nozzle	Alt. Nozzle	Pump (PSIG)	Air Settings	Baffle	Head	Static Plate / Stop Screw	Air Tube Combination	Depth	Welded Insertion	See note
BCL130S (T)	AF	1.10 X 70°A	1.10 X 70°B	100			F6	2¼"	AF76YB			
BCL140 (CDN. & U.S.)	AF	1.25 X 80°A		100			F6	2¼"	AF65YB			
BCL-145S (T)	AF	1.20 X 60°A		100			F6	2¼"	AF76YB			
BCL170 (CDN. & U.S.)	AF	1.50 X 70°B	1.50 X 70°B* (H)	100			F12	2¼"	AF65XO			
BCL190 (CDN. & U.S.)	AF	1.65 X 70°B	1.65 X 70°B* (H)	100			F12	2¼"	AF65XO			
BCL-190/225	AF	1.65 X 70°B	1.65 X 70°B* (H)	100	S-7 / B-0		F16	2¼"	AF81WF			
BCL80 (CDN. & U.S.)	AF	0.65 X 80°A	0.65 X 80°B	100			F3	2¼"	AF65XN			
BCL80S (T)	AF	0.65 X 80°A	0.65 X 80°B	100			F3	2¼"	AF76XN			
BCL80SB2U	AFII 85	0.60 X 60°A		140			FB3		FBX80HG	6½"		
BCL90 (CDN. & U.S.)	AF	0.75 X 80°A	0.75 X 80°B	100			F3	2¼"	AF65XN			
BCL90S (T)	AF	0.75 X 80°A		100			F3	2¼"	AF76XN			
BCL90SB2U	AFII 85	0.70 X 60°A		140			FB3		FBX80HG	6½"		
BFL-100 (T)	AF	0.85 X 80°A	0.85 X 80°B	100	S-7 / B-0		F3	2¼"	AF65XN	6½"		
BFL100B2U	AFII 150	0.80 X 60°A		140			FB3		FBX80HG	6½"		
BFL-120 (T)	AF	1.00 X 80°A	1.00 X 80°B	100	S-7 / B-0		F3	2¼"	AF65XN	6½"		
BFL120B2U	AFII 150	0.90 X 60°A		140			FB3		FBX80HG	6½"		
BFL-130	NX	1.00 X 60°W	1.00 X 60°B	140	2	32229	6-Slot		NX70LFHS	6-9/16"		40, 57
BFL-130 (T)	AF	1.10 X 70°A	1.10 X 70°B	100			F6	2¼"	AF65YB	6½"		
BFL-145	NX	1.10 X 60°W	1.10 X 60°W	140	2.5	32229	6-Slot		NX70LFHS	6-9/16"		40, 57
BFL-145 (T)	AF	1.20 X 60°A		100	S-7 / B-0		F6	2¼"	AF65YB	6½"		
BFL-80 (T)	AF	0.65 X 80°A	0.65 X 80°B	100			F3	2¼"	AF65XN	6½"		
BFL80B2U	AFII 85	0.60 X 60°A		140			FB3		FBX80HG	6½"		
BFL-90 (T)	AF	0.75 X 80°A	0.75 X 80°B	100			F3	2¼"	AF65XN	6½"		
BFL90B2U	AFII 85	0.70 X 60°A		140			FB3		FBX80HG	6½"		
BML-100	AF	0.85 X 70°A	0.85 X 70°B	100	S-7 / B-0		F3	3¾"	AF76BNHS			2
BML-60	AF	0.50 X 80°A		100	S-7 / B-0	5880	F3	3¾"R	AF76BNHS			2
BML-80	AF	0.65 X 80°A		100	S-8 / B-0		F3	3¾"R	AF76BNHS			2
BML-90	AF	0.75 X 80°A		100	S-7 / B-0		F3	2¼"	AF76XNHS			2
BUP-100	AFG	0.85 X 70°W		100	S-5 / B-0		F4	3¾"R	AF76BZHS			2, 40
BUP-120	AFG	1.00 X 70°W		100	S-5 / B-0		F4	3¾"R	AF76BZHS			2, 40
BUP-60	AFG	0.50 X 70°W		100	S-5 / B-0	5880	F3	3¾"R	AF76BN			40
BUP-80	AFG	0.70 X 70°W		100	S-7 / B-0	5880	F3	3¾"R	AF76BN			40
CWOB112 (U.S.)	AF	1.00 X 80°A		100			F6	2¼"	AF90YB			
CWOB112 (U.S.)	AF	1.10 X 80°A		100			F6	2¼"	AF90YB			
CWOB140 (U.S.)	AF	1.20 X 70°A		100			F6	2¼"	AF90YB			
CWOB140 (U.S.)	AF	1.25 X 70°A		100			F6	2¼"	AF90YB			
CWOB140 (U.S.)	AF	1.35 X 70°A		100			F6	2¼"	AF90YB			
CWOB168 (U.S.)	AF	1.50 X 70°A		100			F6	2¼"	AF90YB			
DOS180	AF	1.50 X 70°A		100			F12	2¼"	AF60XO			
DOS210	AF	1.75 X 70°A		100			F12	2¼"	AF60XO			
DOS260	AF	2.25 X 60°A		100			F22	2¼"	AF65XP			
DOS325	SF	2.75 X 70°A		100			F300	NONE	SF65FT			
DOS345	SF	3.00 X 60°A		100			F300	NONE	SF65FT			
DOS375	SF	3.25 X 60°A		100			F300	NONE	SF65FT			
HML-100C	NX	0.75 X 60°W	0.75 X 60°B	140	4.25	32229	6-Slot		NX70LHHS	6-9/16"		40, 56
HML60A/B	AF	0.50 X 80°A	0.50 X 80°B* (H)	100	S-7 / B-0	5880	F3	3¾"R	AF76BNHS	6-9/16"	58020095	2
HML60AB2U	AFII 85	0.50 X 60°A		140			FB0		FBX80HF	6½"		
HML60BB2U	AFII 85	0.50 X 60°A		140			FB0		FBX80HFXS			
HML-60C	NX	0.40 X 70°W	0.40 X 70°B	150	2	32229	6-Slot		NX70LHHS	6-9/16"		40, 56
HML80A/B	AF	0.65 X 80°A	0.65 X 80°B	100	S-8 / B-0		F3	3¾"R	AF76BNHS	6-9/16"	58020095	2
HML80AB2U	AFII 85	0.60 X 60°A		140			FB3		FBX80HG	6½"		
HML80BB2U	AFII 85	0.60 X 60°A		140			FB3		FBX80HGXS		580510	
HML-80C	NX	0.55 X 60°W	0.55 X 60°B	175	2.75	32229	6-Slot		NX70LHHS	6-9/16"		40, 56
HML90A/B	AF	0.75 X 80°A	0.75 X 80°B	100	S-7 / B-0		F3	3¾"R	AF76BNHS	6-9/16"	58020095	2

Olsen Technology, Inc. Cont.

Model	Burner	Nozzle	Alt. Nozzle	Pump (PSIG)	Air Settings	Baffle	Head	Static Plate / Stop Screw	Air Tube Combination	Depth	Welded Insertion	See note
HML90AB2U	AFII 85	0.70 X 60°A		140			FB3		FBX80HG	6½"		
HML90BB2U	AFII 85	0.70 X 60°A		140			FB3		FBX80HGXS		580510	
HML-90C	NX	0.65 X 60°W	0.65 X 60°B	140	4	32229	6-Slot		NX70LHHS	6-9/16"		40, 56
HMP060	AFG	0.50 X 70°W		100	S-5 / B-0	5880	F3	3¾"R	AF76BN			40
HMP080	AFG	0.70 X 70°W		100	S-7 / B-0	5880	F3	3¾"R	AF76BN			40
HTL100A, B, C	AF	0.85 X 80°A		100	S-7 / B-0		F3	2¾"	AF65XN			
HTL-100B (CDN.)	AF	0.85 X 80°A	0.85 X 80°B	100	S-7 / B-0		F3	2¾"	AF65XNSS			27
HTL-115A	AF	1.00 X 80°A		100	S-7 / B-0		F3	2¾"	AF65XN			
HTL-120C	AF	1.00 X 80°A		100	S-7 / B-0		F3	2¾"	AF65XN			
HTL-120D	NX	0.85 X 60°W	0.85 X 60°B	175	3.25		6-Slot		NX70LHHS	6-9/16"		40, 56
HTL-120D	AF	1.00 X 70°W		100	S-7 / B-0		F3	2¾"	AF65XN	6½"		
HTL-140D	AF	1.20 X 70°W		100	S-7 / B-0		F6	2¾"	AF65YB	6½"		
HTL-80A, B, C	AF	0.65 X 80°A		100			F3	2¾"	AF65XN			
HTL-90A, B, C	AF	0.75 X 80°A		100			F3	2¾"	AF65XN			
HUP100/HMP100	AFG	0.85 X 70°W		100	S-5 / B-0		F3	3¾"R	AF76BNHS			2, 40
HUP120/HMP120	AFG	1.00 X 70°W		100	S-8 / B-0		F3	3¾"R	AF76BNHS			2, 40
MPL100	AF	0.85 X 80°A		100			F3	2¾"	AF76XN			
MPL120	AF	1.00 X 60°A		100	S-7 / B-0		F3	2¾"	AF76XN			
MPL130	AF	1.10 X 70°A		100			F6	2¾"	AF76YB			
MPL90	AF	0.75 X 80°A		100			F3	2¾"	AF76XN			
MPL-BU	AFII 150	0.85 X 70°A		145	2		FB3		FBX80HGXS	6-9/16"	580510	
UML-A 0.55	AFG	0.50 X 45°W		140	S-0 / B-4		L2	2¾"	AFG70MPSS	2"		31, 59, 60
UML-A 0.65	AFG	0.50 X 45°W		175	S-0 / B-5		L2	2¾"	AFG70MPSS	2"		31, 59, 60
UML-A 0.75	AFG	0.60 X 60°W		175	S-0 / B-7		L2	2¾"	AFG70MPSS	2"		31, 59, 60
UML-A 0.85	AFG	0.65 X 60°W		175	S-0 / B-8		L2	2¾"	AFG70MPSS	2"		31, 59, 60
UML-DV	NX	0.50 X 60°W		140	3	32229	6-Slot		NX56LQ	2"		42
UML-DV	NX	0.50 X 60°W		175	3.25	32229	6-Slot		NX56LQ	2"		42
UML-DV	NX	0.60 X 60°W		175	3.25		6-Slot		NX56LQ	2"		42
UML-DV	NX	0.65 X 60°W		175	3.75		6-Slot		NX56LQ	2"		42
WML60A/B	AF	0.50 X 80°A		100	S-7 / B-0	5880	F3	3¾"R	AF76BNHS		58020095	2
WML60B2U	AFII 85	0.50 X 60°A		140			FB0		FBX80HF			
WML60C	NX	0.40 X 70°W	0.40 X 70°B	150	2.5	32229	6-Slot		NX90LHHS	6-9/16"		40, 56
WML80A/B	AF	0.65 X 80°A		100	S-8 / B-0		F3	3¾"R	AF76BNHS		58020095	2
WML80B2U	AFII 85	0.60 X 60°A		140			FB3		FBX80HG			
WML-80C	NX	0.55 X 60°W	0.55 X 60°B	140	3.25	32229	6-Slot		NX90LHHS	6-9/16"		40, 56
WML90A/B	AF	0.75 X 80°A		100	S-7 / B-0		F3	3¾"R	AF76BNHS		58020095	2
WML90B2U	AFII 85	0.70 X 60°A		140			FB3		FBX80HG			
WML-90C	NX	0.65 X 60°W	0.65 X 60°B	140	3.5	32229	6-Slot		NX90LHHS	6-9/16"		40, 56
WTL-100A, (H)	AF	0.85 X 80°A		100	S-7 / B-0		F3	2¾"	AF65XN			
WTL-105A (H)	AF	0.90 X 80°A		100			F3	2¾"	AF65XN			
WTL-80A, (H)	AF	0.65 X 80°A		100			F3	2¾"	AF65XN			
WTL-90A, (H)	AF	0.75 X 80°A	0.75 X 80°B	100			F3	2¾"	AF65XN			

Oneida Royal Heater

Model	Burner	Nozzle	Alt. Nozzle	Pump (PSIG)	Air Settings	Baffle	Head	Static Plate / Stop Screw	Air Tube Combination	Depth	Welded Insertion	See note
0-112	AF	1.00 X 80°B		100	S-7 / B-0		F3	2¾"	AF53XN			
0-140	AF	1.25 X 80°B		100	S-7 / B-0		F6	2¾"	AF53YB			
0-168	AF	1.50 X 80°B		100	S-7 / B-0		F6	2¾"	AF53YB			
0-224	AF	2.00 X 80°B		100	S-7 / B-0		F22	2¾"	AF53XP			
0-84	AF	0.75 X 80°B		100	S-7 / B-0		F3	2¾"	AF53XN			
CO-73	AF	0.65 X 70°A		100	S-7 / B-0		F0	3¾"	AF53XR			
CO-84	AF	0.75 X 70°A		100	S-7 / B-0		F0	3¾"	AF53XR			
DLO112	AF	1.00 X 70°A		100	S-7 / B-0		F6	2¾"	AF90YB			

Oneida Royal Heater Cont.

Model	Burner	Nozzle	Alt. Nozzle	Pump (PSIG)	Air Settings	Baffle	Head	Static Plate / Stop Screw	Air Tube Combination	Depth	Welded Insertion	See note
DLO125	AF	1.10 X 70°A		100	S-7 / B-0		F6	2¼"	AF90YB			
DLO140	AF	1.25 X 70°A		100	S-7 / B-0		F12	2¼"	AF90XO			
DLO160	AF	1.35 X 70°A		100	S-7 / B-0		F12	2¼"	AF90XO			
DLO175	AF	1.50 X 70°A		100	S-7 / B-0		F12	2¼"	AF90XO			
DLO250	AF	2.25 X 80°B		100	S-7 / B-0		F31	NONE	AF130XS			
DLO300	AF	2.75 X 80°B		100	S-7 / B-0		F31	NONE	AF130XS			
DLO335	AF	3.00 X 80°B		100	S-7 / B-0		F31	NONE	AF130XS			
DLO95	AF	0.85 X 70°A		100	S-7 / B-0		F3	2¼"	AF90XN			
HO112	AF	1.00 X 70°A		100	S-7 / B-0		F3	2¼"	AF62XN			
HO125	AFG	0.85 X 80°A		140	S-7 / B-0		F3	3⅝"	AF54WA			
HO56	AF	0.50 X 70°A		100	S-7 / B-0		F0	3⅝"	AF53XR			
HO73	AF	0.65 X 70°A		100	S-7 / B-0		F0	3⅝"	AF53XR			
HO84	AF	0.75 X 70°A		100	S-7 / B-0		F0	3⅝"	AF53XR			
HO-84A-3BC	AF	0.50 X 70°A		100	S-7 / B-0		F3	3⅝"	AF53WA	5¼"		
HO-84A-3BC	AF	0.65 X 70°A		100	S-7 / B-0		F3	3⅝"	AF53WA	5¼"		
HO-84A-3BC	AF	0.75 X 70°A		100	S-7 / B-0		F3	3⅝"	AF53WA	5¼"		
HO-84A-3BC	AF	0.85 X 70°A		100	S-7 / B-0		F3	3⅝"	AF53WA	5¼"		
HO-84A-3BC	AFII 100	0.75 X 70°A		140	5		FB4		FBX70HH	5¼"		
HO-84A-3BC	AFII 85	0.50 X 70°A		140	4		FB0		FBX70HF	5¼"		
HO-84A-3BC	AFII 85	0.60 X 70°A		140	4		FB3		FBX70HG	5¼"		
HO-84A-3BC	AFII 85	0.65 X 70°A		140	4		FB3		FBX70HG	5¼"		
HO95	AF	0.85 X 70°A		100	S-7 / B-0		F3	2¼"	AF62XN			
LO112	AF	1.00 X 70°A		100	S-7 / B-0		F3	2¼"	AF62XN			
LO125	AF	1.10 X 70°A		100	S-7 / B-0		F3	2¼"	AF62XN			
LO56	AF	0.50 X 70°A		100	S-7 / B-0		F0	3⅝"	AF53XR			
LO73	AF	0.65 X 70°A		100	S-7 / B-0		F0	3⅝"	AF53XR			
LO84	AF	0.75 X 70°A		100	S-7 / B-0		F0	3⅝"	AF53XR			
LO95	AF	0.85 X 70°A		100	S-7 / B-0		F3	2¼"	AF62XN			
LOR112	AF	1.00 X 70°A		100	S-7 / B-0		F3	2¼"	AF62XN			
LOR125	AF	1.10 X 70°A		100	S-7 / B-0		F3	2¼"	AF62XN			
LOR56	AF	0.50 X 70°A		100	S-7 / B-0		F0	3⅝"	AF53XR			
LOR73	AF	0.65 X 70°A		100	S-7 / B-0		F0	3⅝"	AF53XR			
LOR84	AF	0.75 X 70°A		100	S-7 / B-0		F0	3⅝"	AF53XR			
LOR95	AF	0.85 X 70°A		100	S-7 / B-0		F3	2¼"	AF62XN			

Peerless Heater

Model	Burner	Nozzle	Alt. Nozzle	Pump (PSIG)	Air Settings	Baffle	Head	Static Plate / Stop Screw	Air Tube Combination	Depth	Welded Insertion	See note
EC/ECT-03-075	AFG	0.65 X 60°B* (H)	0.65 X 60°B	140	S-10 / B-1	5880	L1	3⅝"	AFG70MBAS	2⅝"	58020071	31
EC/ECT-03-075	AFG	0.65 X 80°A	0.65 X 80°B* (H)	140		5880	F3	3⅝"	AF60YH	2½"	580391	
EC/ECT-03-100	AFG	0.85 X 60°B* (H)	0.85 X 60°B	140	S-10 / B-2	5880	L1	3⅝"	AFG70MBAS	2⅝"	58020071	31
EC/ECT-03-100	AFG	0.85 X 80°A	0.85 X 80°B* (H)	140			F3	3⅝"	AF60YH	2½"	580391	
EC/ECT-03-120	AFG	1.00 X 60°B* (H)	1.00 X 60°B	140	S-10 / B-4		L1	NONE	AFG70MN	2⅝"		31
EC/ECT-03-120	AFG	1.00 X 80°A	1.00 X 80°B* (H)	140			F3	3⅝"	AF60YH	2½"	580391	
EC/ECT-04-125	AFG	1.10 X 80°A	1.10 X 80°B* (H)	140			F6	2¼"	AF60YB	2½"	580392	
EC/ECT-04-150	AFG	1.25 X 80°B* (H)	1.25 X 80°A	140	S-8 / B-1		F6	2¼"	AF60YB	2½"	580392	31
EC/ECT-04-175	AFG	1.50 X 80°B* (H)	1.50 X 80°A	140			F6	2¼"	AF60YB	2½"	580392	31
EC/ECT-05-175	AFG	1.50 X 60°B		140			V1-3	2¼"	AFG70MD	2-9/16"		
EC/ECT-05-200	AFG	1.75 X 60°B* (H)	1.75 X 60°AS	140			V1-4	2¼"	AFG70MD	2-9/16"		31
EC/ECT-05-250	AFG	2.00 X 45°B* (H)	2.00 X 60°AS	140			V1-5	2¼"	AFG70MD	2-9/16"		31
EC/ECT-06-275	SMG	2.25 X 60°P (H)		140			SV-1		SMG60NP			31
EC/ECT-06-275	CF375	2.25 X 45°P		140	S-10 / B-6		SL1-1		CF56KZ	2½"	51514104	
EC/ECT-06-300	SMG	2.50 X 60°P (H)		140			SV-1		SMG60NP			31
EC/ECT-06-300	CF375	2.50 X 45°P		140	S-10 / B-7		SL1-3		CF56KZ	2½"	51514104	

Peerless Heater Cont.

Model	Burner	Nozzle	Alt. Nozzle	Pump (PSIG)	Air Settings	Baffle	Head	Static Plate / Stop Screw	Air Tube Combination	Depth	Welded Insertion	See note
EC-5	AFG	1.50 X 60°B* (H)		140			V1-2	NONE	AFG70ML	2-9/16"	58020072	31
EC-5	AFG	1.75 X 60°B* (H)		140	S-10 / B-9		V1-3	NONE	AFG70ML	2-9/16"	58020072	31
EC-5	AFG	2.00 X 45°B* (H)		140			V1-5	NONE	AFG70ML	2-9/16"	58020072	31
HEO-3H	AFG	1.00 X 70°B		100			F3	2 3/4"	AF44XN			
HEO-3L	AFG	0.75 X 70°A		100			F3	2 3/4"	AF44XN			
HEO-4H	AFG	1.50 X 70°B		100			F6	2 3/4"	AF44YB			
HEO-4L	AFG	1.25 X 70°B		100			F6	2 3/4"	AF44YB			
HEO-5H	AFG	2.00 X 70°B		100			F16	2 3/4"	AF44WF			
HEO-5L	AFG	1.75 X 70°B		100			F16	2 3/4"	AF44WF			
JO/JOT3H	AF	1.10 X 80°A		100	S-7 / B-0		F6	2 3/4"	AF44YB			
JO/JOT3L	AF	0.85 X 80°A		100	S-7 / B-0		F6	2 3/4"	AF44YB			
JO/JOT3PFH	AF	1.20 X 80°A		100	S-7 / B-0		F6	2 3/4"	AF44YB			
JO/JOT4H	AF	1.50 X 80°A		100	S-7 / B-0		F6	2 3/4"	AF44YB			
JO/JOT4L	AF	1.35 X 80°A		100	S-7 / B-0		F6	2 3/4"	AF44YB			
JO/JOT4PFH	AF	1.75 X 80°A		100	S-7 / B-0		F6	2 3/4"	AF44YB			
JO/JOT4PFL	AF	1.50 X 80°A		100	S-7 / B-0		F6	2 3/4"	AF44YB			
JO/JOT5H	AF	2.00 X 60°A		100	S-7 / B-0		F22	NONE	AF44YF			
JO/JOT5L	AF	1.75 X 80°A		100			F22	NONE	AF44YF			
JO/JOT5PFH	AF	2.50 X 60°A		100			F22	NONE	AF44YF			
JO/JOT5PFL	AF	2.00 X 60°A		100			F22	NONE	AF44YF			
JO/JOT6H	AF	2.50 X 60°A		100			F22	NONE	AF44YF			
JO/JOT6L	AF	2.25 X 60°A		100			F22	NONE	AF44YF			
JO/JOT-TW100	AFG	0.85 X 80°A		140			F3	3 3/8"	AF60YH			
JO/JOT-TW125	AFG	1.10 X 80°B		140			F3	3 3/8"	AF60YH			
JO/JOT-TW150	AFG	1.25 X 80°A		140	S-8 / B-1		F6	2 3/4"	AF60YB			
JO/JOT-TW175	AFG	1.50 X 80°A		140			F6	2 3/4"	AF60YB			
JO/JOT-TW200	AFG	1.75 X 70°B		140			V1-4	2 3/4"	AFG50MD			
JO/JOT-TW250	AFG	2.00 X 70°B		140			V1-5	2 3/4"	AFG50MD			
JO/JOT-TW275	SF	2.25 X 70°B		140			F220	2 1/4"	SF44VT			
JO/JOT-TW300	SF	2.50 X 70°B		140			F220	2 1/4"	SF44VT			
JO/JOT-TWO75	AFG	0.65 X 80°A		140		5880	F3	3 3/8"	AF60YH			
PO-50	AFG	0.45 X 60°AS		130			L2	3 3/8"	AFG70MQASN	3"	58020234	9, 16
PO-60	AFG	0.55 X 60°AS	0.55 X 60°B* (H)	130			L2	3 3/8"	AFG70MQASN	3"	58020234	9, 16
PRO-03	AFG	0.50 X 60°AS		140	S-4 / B-0	5880	L2	3 3/8"	AFG70MQASN	3 3/4"		9, 16, 45
PRO-04-100	AFG	0.85 X 60°A		140	S-10 / B-2		L1	2 3/4"	AFG70MTAQN	4"	58020229	9, 16, 40
PRO-04-80	AFG	0.65 X 60°A		140	S-7 / B-0		L1	2 3/4"	AFG70MTAQN	4"	58020229	9, 16, 40
PRO-05-100	AFG	0.75 X 45°B		190	S-7 / B-1		L1	None	AFG70MNASN	4"	58020250	9, 40
PRO-05-125	AFG	0.90 X 60°B		190	S-10 / B-3		L1	None	AFG70MNASN	4"	58020250	9, 40
WBV-03-060	NX	0.50 X 60°W		140	1.5	32229	6-Slot		NX70LC	2 1/2"		
WBV-03-085	AFG	0.75 X 80°B* (H)	0.75 X 80°A	140		5880	F3	3 3/8"	AF60YH		580391	31
WBV-03-085	NX	0.65 X 60°W	0.65 X 60°SS	175	2.5		9-Slot		NX70LB	2 1/2"	58020217	
WBV-03-1.10	NX	0.85 X 60°B* (H)		175	2.5		9 - slot		NX70LB	2 1/2"		31
WBV-03-110	AFG	0.90 X 80°B* (H)	0.90 X 80°A	140	S-6 / B-0		F4	3 3/8"	AF60WP	2 1/2"	58020073	31
WBV-04-095	NX	0.85 X 60°B	0.85 X 60°B* (H)	140	2.75		6-Slot		NX70LC	2 1/2"		
WBV-04-125	AFG	1.10 X 80°B* (H)	1.10 X 80°A	140	S-8 / B-2		F4	3 3/8"	AF60WP	2 1/2"	58020073	31
WBV-04-125	NX	1.10 X 60°W		140	1.25		9-Slot		NX70LD	2"	58020218	
WBV-04-150	AFG	1.25 X 80°A	1.25 X 80°B* (H)	140	S-8 / B-1		F6	2 3/4"	AF60YB		580392	
WBV-04-150	NX	1.25 X 60°W		140	2.25		9-Slot		NX70LD	2"		
WV-05	AFG	1.50 x 60B* (H)	1.50 x 60B	140			V1-2	NONE	AFG70ML	2-9/16"	58020072	31
WV-05-175	AFG	1.50 X 80°B* (H)	1.50 X 80°B	140			F12	NONE	AF72YN	2-9/16"		31
WV-05-175	AFG	1.50 X 60°B* (H)	1.50 X 60°B	140			V1-3	NONE	AFG70ML	2-9/16"	58020072	31
WV-05-195	AFG	1.65 X 60°B	1.65 X 60°B(H)	140	10/5	None	V1-3		AFG70ML	2-9/16"	58020072	
WV-05-200	AFG	1.75 X 70°B* (H)	1.75 X 70°B	140			F16	NONE	AF72WK	2-9/16"		31
WV-05-200	AFG	1.75 X 60°B* (H)	1.75 X 45°SS	140			V1-4	NONE	AFG70ML	2-9/16"	58020072	31

Peerless Heater Cont.

Model	Burner	Nozzle	Alt. Nozzle	Pump (PSIG)	Air Settings	Baffle	Head	Static Plate / Stop Screw	Air Tube Combination	Depth	Welded Insertion	See note
WV-DV-03-.85	NX	0.65 X 60°W		175	3	32229	9-Slot		NX70LB	2½"		3
WV-DV-03-075	AFII 100	0.60 X 70°B		170			AF2-6	#3	HLX50HB			31
WV-DV-03-085	AFII 100	0.65 X 45°B* (H)		170			AF2-6	#4	HLX50HB			31
WV-DV-03-110	AFII 100	0.85 X 60°B		170			AF2-6	#6	HLX50HB	2½"		31
WV-DV-04-1.15	NX	0.85 X 60°B* (H)	0.85 X 60°B	170	1.5	32229	9 - slot		NX70LD	2½"		31

Pennco

Model	Burner	Nozzle	Alt. Nozzle	Pump (PSIG)	Air Settings	Baffle	Head	Static Plate / Stop Screw	Air Tube Combination	Depth	Welded Insertion	See note
1304	AF	1.00 X 80°A		100			F3	2¾"	AF60XN			
1305	AF	1.35 X 80°A		100			F12	2¾"	AF60XO			
1306	AF	1.65 X 80°A		100			F12	2¾"	AF60XO			
1307	AF	2.00 X 80°A		100			F12	2¾"	AF60XO			
1308	AF	2.25 X 80°A		100			F31	NONE	AF60XS			
1309	AF	2.50 X 80°A		100			F31	NONE	AF60XS			
3K.60	AFG	0.60 X 70°W	0.60 X 70°W (H)	100	S-4 / B-0	5880	L1	3¾"	AFG50MBAS	2½"	580328	54
3K.60	AFG	0.65 X 70°B		100	S-5 / B-0		L1	3¾"	AFG50MB	2"	580328	53
3K.65	AFG	0.65 X 70°B	0.65 X 70°B* (H)	100	S-5 / B-0	5880	L1	3¾"	AFG50MBAS	2½"	580328	54
3K.75	AFG	0.75 X 70°B	0.75 X 70°B* (H)	100	S-8 / B-0	5880	L1	3¾"	AFG50MBAS	2½"	580328	54
3K.75	AFG	0.75 X 70°A		100	S-5 / B-0		L1	3¾"	AFG50MB	2"	580328	53
3K1.00	AFG	1.00 X 70°B	1.00 X 70°B* (H)	100	S-10 / B-0		L1	3¾"	AFG50MBAS	2½"	580328	54
3K1.00	AFG	1.00 X 70°A		100	S-5 / B-0		L1	3¾"	AFG50MB	2"	580328	53
3KS1.00	AFG	0.65 X 60°W		100	S-5 / B-0		L1	3¾"	AFG50MB	2"	580328	53
3KS1.25	AFG	1.10 X 70°B		100	S-10 / B-2		V1	2¾"	AFG50MD	2"	580311	53
3KS1.35	AFG	1.20 X 70°B		100	S-10 / B-2		V1	2¾"	AFG50MD	2"	580311	53
4K.90	AFG	0.75 X 60°B	0.75 X 60°B* (H)	140	S-5 / B-0		V1-0	2¾"	AFG50MDAS	2¼"	580311	54
4K.90	AFG	0.90 X 60°W		100	S-10 / B-2		V1-0	2¾"	AFG50MD	2"	580311	53
4K1.25	AFG	1.25 X 70°B	1.25 X 70°B* (H)	100	S-10 / B-1		V1-0	2¾"	AFG50MDAS	2¼"	580311	54
4K1.25	AFG	1.25 X 70°B		100	S-10 / B-2		V1-0	2¾"	AFG50MD	2"	580311	53
4K1.50	AFG	1.50 X 70°B		100	S-10 / B-2		V1-1	2¾"	AFG50MD	2"	580311	53
4KS1.50	AFG	1.25 X 60°B		100	S-10 / B-2		V1	2¾"	AFG50MD	2"	580311	53
4KS1.75	AFG	1.50 X 60°B		100	S-10 / B-2		V1	2¾"	AFG50MD	2"	580311	53
4KS1.85	AFG	1.65 X 60°B		100	S-10 / B-2		V1	2¾"	AFG50MD	2"	580311	53
5K1.20	AFG	1.20 X 70°B	1.20 X 70°B* (H)	100	S-8 / B-1		V1-1	2¾"	AFG50MDAS	2¼"	580311	54
5K1.20	AFG	1.20 X 70°B		100	S-10 / B-2		V1-0	2¾"	AFG50MD	2"	580311	53
5K1.50	AFG	1.50 X 60°B	1.50 X 60°B* (H)	100	S-10 / B-3		V1-2	2¾"	AFG50MDAS	2¼"	580311	54
5K1.75	AFG	1.75 X 60°B	1.75 X 60°B* (H)	100	S-10 / B-3		V1-3	2¾"	AFG50MDAS	2¼"	580311	54
5K1.75	AFG	1.75 X 70°B		100	S-10 / B-2		V1-3	2¾"	AFG50MD	2"	580311	53
5K2.00	AFG	2.00 X 60°B	2.00 X 60°B* (H)	100	S-10 / B-3		V1-4	2¾"	AFG50MDAS	2¼"	580311	54
5K2.00	AFG	2.00 X 70°B		100	S-10 / B-2		V1-4	2¾"	AFG50MD	2"	580311	53

Pensotti

Model	Burner	Nozzle	Alt. Nozzle	Pump (PSIG)	Air Settings	Baffle	Head	Static Plate / Stop Screw	Air Tube Combination	Depth	Welded Insertion	See note
DK2-4 CV/DV	NX	0.85 X 60°B	0.85 X 60°AS	140	2.75		9-Slot		NX70LB	2½"		40
DK2-3 CV/DV	NX	0.60 X 60°B* (H)	0.60 X 60°W	150	2	32229	6-Slot		NX70LC	2½"		31
DK2-5 CV/DV	NX	1.00 X 60°B* (H)	1.00 X 60°W	150	1.25		9-Slot		NX70LD	2½"		31
S1-18	AFII 150	0.60 X 70°B		140	2		AF2-9	#0	HLX50HC	2"		
S1-26	AFII 150	0.90 X 60°B	0.85 X 45°R	140	2		AF2-9	#2	HLX50HC	2"		
S1-34	AFII 150	1.10 X 60°B	1.10 X 45°B	140	6		AF2-9	#5	HLX50HC	2"		
S1-42	AFII 150	1.25 X 60°B		140	6		AF2-9	#8	HLX50HC	2"		
S1-42	AFII 150	1.25 X 60°B	1.25 X 45°R	140	6		AF2-9	#8	HLX50HC	2"		

Pow-R-Matic, Inc.

Model	Burner	Nozzle	Alt. Nozzle	Pump (PSIG)	Air Settings	Baffle	Head	Static Plate / Stop Screw	Air Tube Combination	Depth	Welded Insertion	See note
CA-20	AF	1.75 X 80°A		100			F12	2¾"	AF72XO			
CA-25	AF	2.25 X 80°A		100			F31	2¾"	AF72XS			
CA-30	AF	2.75 X 80°A		100			F31	2¾"	AF72XS			
UH100	AF	0.90 X 80°B		100	S-7 / B-0		F3	2¾"	AF72XN	4½"		
UH140	AF	1.25 X 80°A		100	S-7 / B-0		F12	2¾"	AF72XO	4½"		
UH180	AF	1.65 X 80°A		100	S-7 / B-0		F12	2¾"	AF72XO	4½"		
UH250	AF	2.25 X 70°A		100			F31	2¾"	AF72XS	4½"		
UH300	AF	2.75 X 80°A		100			F31	2¾"	AF72XS	4½"		
UH50	AF	0.50 X 80°A		100	S-7 / B-0		F0	2¾"	AF72XZT	4½"		
UH80	AF	0.75 X 80°A		100	S-7 / B-0		F3	2¾"	AF72XN	4½"		

Ray-Pak

Model	Burner	Nozzle	Alt. Nozzle	Pump (PSIG)	Air Settings	Baffle	Head	Static Plate / Stop Screw	Air Tube Combination	Depth	Welded Insertion	See note
C315A-EO	AFG	2.00 X 70°A		125	S-10 / B-3		F160	2¾"	AF44JT	3¾"		

R.E. Michel / Airtemp

Model	Burner	Nozzle	Alt. Nozzle	Pump (PSIG)	Air Settings	Baffle	Head	Static Plate / Stop Screw	Air Tube Combination	Depth	Welded Insertion	See note
RCF-BNP	NX	0.65 X 60°W		150	3.5	32229	9-Slot		NX70LBHS	5¾"		55, 62
RCF-BNP	NX	0.55 X 60°W		150		32229	9-Slot		NX70LBHS	5¾"		55
RCF-BNP	NX	0.75 X 60°W		150		32229	9-Slot		NX70LBHS	5¾"		55
RCF-BNP	NX	0.85 X 60°W		150		32229	9-Slot		NX70LBHS	5¾"		55
RCF-CBP	AFG	0.75 X 80°A		130	S-8 / B-0	5880	F3	2¾"	AF57XNSS			27, 62
RCF-CBP	AFG	0.60 X 80°A		130		5880	F3	2¾"	AF57XNSS			27
RCF-CBP	AFG	0.85 X 80°A		130		5880	F3	2¾"	AF57XNSS			27
RCF-CBP	AFG	1.00 X 80°A		130		5880	F3	2¾"	AF57XNSS			27
RH8-ABP	AFG	1.00 X 80°A		120	S-5 / B-0		F6	2¾"	AF60YBHS	4½"		2, 62
RH8-ABP	AFG	1.10 X 80°A		120			F6	2¾"	AF60YBHS	4½"		2
RH8-ABP	AFG	0.85 X 80°A		120			F6	2¾"	AF60YBHS	4½"		2
RHF-ABT/ABP	AFG	0.60 X 70°A		120	S-6 / B-0	5880	F3	3½"	AF60BDHSSS	4½"		2, 27, 62
RHF-ABT/ABP	AFG	0.50 X 80°B		120		5880	F3	3½"	AF60BDHSSS	4½"		2, 27
RHF-ABT/ABP	AFG	0.75 X 80°A		120		5880	F3	3½"	AF60BDHSSS	4½"		2, 27
RHF-ANE/ANP	NX	0.50 X 70°A	0.50 X 70°B* (H)	150	2.25	32229	9-Slot		NX50LGHS	4½"		55, 62
RHF-ANE/ANP	NX	0.40 X 70°A	0.40 X 70°B* (H)	150		32229	9-Slot		NX50LGHS	4½"		55
RHF-ANE/ANP	NX	0.60 X 70°A	0.60 X 70°B* (H)	150		32229	9-Slot		NX50LGHS	4½"		55
RL16-FBP/RBP	AFG	1.10 X 80°A		100	S-9 / B-0		F6	2¾"	AF76YBOS	7¾"		25, 62
RL16-FBP/RBP	AFG	1.00 X 80°A		100			F6	2¾"	AF76YBOS	7¾"		25
RLF/RLR-BNP	NX	0.65 X 60°W		150	3.5	32229	9-Slot		NX70LBHS	5¾"		55, 62
RLF/RLR-BNP	NX	0.85 X 60°W		150		32229	9-Slot		NX70LBHS	5¾"		55
RLF/RLR-BNP	NX	0.75 X 60°W		150		32229	9-Slot		NX70LBHS	5¾"		55
RLF/RLR-BNP	NX	0.55 X 60°W		150		32229	9-Slot		NX70LBHS	5¾"		55
RLF/RLR-CBP	AFG	0.75 X 80°A		130	S-8 / B-0	5880	F3	2¾"	AF57XNSS			27, 62
RLF/RLR-CBP	AFG	0.60 X 80°A		130		5880	F3	2¾"	AF57XNSS			27
RLF/RLR-CBP	AFG	0.85 X 80°A		130		5880	F3	2¾"	AF57XNSS			27
RLF/RLR-CBP	AFG	1.00 X 80°A		130		5880	F3	2¾"	AF57XNSS			27

Reznor

Model	Burner	Nozzle	Alt. Nozzle	Pump (PSIG)	Air Settings	Baffle	Head	Static Plate / Stop Screw	Air Tube Combination	Depth	Welded Insertion	See note
O(H,B)-140	AF	1.25 X 70°B		100	S-6 / B-0		F6	2¾"	AF62YB	3½"		
O(H,B)-195	AF	1.35 X 70°B		150	S-7 / B-0		F12	2¾"	AF62XO	3½"		
O(H,B)-95	AF	0.85 X 80°B		100	S-6 / B-0		F3	2¾"	AF62XN	3½"		

Reznor Cont.

Model	Burner	Nozzle	Alt. Nozzle	Pump (PSIG)	Air Settings	Baffle	Head	Static Plate / Stop Screw	Air Tube Combination	Depth	Welded Insertion	See note
OUH115	AF	1.00 X 80°B		100	S-7 / B-0		F6	2 3/4"	AF85YB			
OUH140	AF	1.25 X 80°B		100	S-7 / B-0		F12	2 3/4"	AF85XO			
OUH185	AF	1.65 X 80°B		100	S-7 / B-0		F12	2 3/4"	AF62XO			
OUH250	AF	2.25 X 70°B		100	S-10 / B-4		F22	2 3/4"	AF83XP			
OUH300	AF	2.75 X 80°B		100	S-10 / B-4		F30	2 3/4"	AF85JD			
OUH95	AF	0.85 X 80°B		100	S-7 / B-0		F3	2 3/4"	AF62XN			

Rheem Manufacturing

Model	Burner	Nozzle	Alt. Nozzle	Pump (PSIG)	Air Settings	Baffle	Head	Static Plate / Stop Screw	Air Tube Combination	Depth	Welded Insertion	See note
ROBB-084	AF	0.75 X 80°S		100	S-7 / B-0		F3	2 3/4"	AF60XN			
ROBB-084	AFG	0.75 X 80°S		100	S-7 / B-0	5880	F3	2 3/4"	AF60XN			
ROBB-095	AF	0.85 X 80°S		100	S-7 / B-0		F3	2 3/4"	AF60XN			
ROBB-095	AFG	0.85 X 80°S		100	S-7 / B-0		F3	2 3/4"	AF60XN			
ROBB-112	AF	1.00 X 80°S		100	S-7 / B-0		F3	2 3/4"	AF60XN			
ROBB-112	AFG	1.00 X 80°S		100	S-7 / B-0		F3	2 3/4"	AF60XN			
ROBB-120	AF	1.10 X 70°S		100	S-7 / B-0		F3	2 3/4"	AF60XN			
ROBB-120	AFG	1.10 X 70°S		100	S-7 / B-0		F3	2 3/4"	AF60XN			
ROBB-130	AF	1.20 X 80°S		100	S-7 / B-0		F12	2 3/4"	AF60XO			
ROBB-130	AFG	1.20 X 80°S		100	S-7 / B-0		F12	2 3/4"	AF60XO			
ROBB-150	AF	1.35 X 80°S		100	S-7 / B-0		F12	2 3/4"	AF60XO			
ROBB-150	AFG	1.35 X 80°S		100	S-7 / B-0		F12	2 3/4"	AF60XO			
ROBC-056	AFG	0.50 X 70°S		100	S-7 / B-0	5880	F0	3 3/8"R	AF36JY			50
ROBC-067	AFG	0.60 X 70°S		100	S-7 / B-0	5880	F0	3 3/8"R	AF36JY			50
ROBC-084	AFG	0.75 X 70°S		100	S-7 / B-0	5880	F3	3 3/8"R	AF36BN			50
ROBC-095	AFG	0.85 X 70°B		100	S-10 / B-0	5880	F3	2 3/4"	AF42XNHS	3-11/16"	580574	2, 50
ROBC-095	AFG	0.85 X 70°S		100	S-7 / B-0	5880	F3	3 3/8"R	AF36BN			50
ROBC-112	AFG	1.00 X 70°S		100	S-7 / B-0	5880	F3	2 3/4"	AF36XN			50
ROBC-130	AFG	1.20 X 70°S		100	S-7 / B-0		F6	3 3/8"R	AF36JZ			50
ROBC-150	AFG	1.35 X 70°S		100	S-7 / B-0		F6	3 3/8"R	AF36JZ			50
ROCA/ROLA-070	AFG	0.60 X 80°A		100	S-4 / B-0		F3	3 3/8"	AF65YHHSSS	5 1/2"		2, 27
ROCA/ROLA-088	AFG	0.75 X 80°B		100	S-6 / B-0		F3	3 3/8"	AF65YHHSSS	5 1/2"		2, 27
ROCA/ROLA-099	AFG	0.85 X 80°B		100	S-9 / B-0		F3	3 3/8"	AF65YHHSSS	5 1/2"		2, 27
ROCA/ROLA-115	AFG	1.00 X 80°B		100	S-5 / B-0		F6	2 3/4"	AF90YBHSSS	7 3/4"		2, 27
ROCA/ROLA-143	AFG	1.25 X 80°B		100	S-9 / B-0		F6	2 3/4"	AF90YBHSSS	7 3/4"		2, 27
ROCB060P/E	AFG	0.40 X 60°W	0.40 X 60°B	175	S-5 / B-0	5880	L2	3 3/8"	AFG90MQSS	4 1/4"		8, 10, 16
ROCB072P/E	AFG	0.50 X 60°B	0.50 X 60°W	150	S-7 / B-0	5880	L2	3 3/8"	AFG90MQSS	4 1/4"		8, 10, 16
ROCB089P/E	AFG	0.60 X 60°B	0.60 X 60°W	150	S-10 / B-2	5880	L2	3 3/8"	AFG90MQSS	4 1/4"		8, 10, 16
ROCB0102P/E	AFG	0.65 X 60°B		175		5880	V1-0	2-3/4"	AFG90MDASN			
ROCB0118P/E	AFG	0.75 X 60°B		175			V1-0	2-3/4"	AFG90MDASN			
ROCB0130P/E	AFG	0.85 X 60°B		175			V1-1	2-3/4"	AFG90MDASN			
ROHB-084	AFG	0.75 X 80°S		100	S-7 / B-0	5880	F3	2 3/4"	AF60XNSS			27
ROHB-084	AF	0.75 X 80°S		100	S-7 / B-0		F3	2 3/4"	AF60XN			
ROHB-095	AFG	0.85 X 80°S		100	S-7 / B-0		F3	2 3/4"	AF60XNSS			27
ROHB-095	AF	0.85 X 80°S		100	S-7 / B-0		F3	2 3/4"	AF60XN			
ROHB-112	AFG	1.00 X 80°S		100	S-7 / B-0		F3	2 3/4"	AF60XNSS			27
ROHB-112	AF	1.00 X 80°S		100	S-7 / B-0		F3	2 3/4"	AF60XN			
ROHB-120	AFG	1.10 X 70°S		100	S-7 / B-0		F3	2 3/4"	AF60XNSS			27
ROHB-120	AF	1.10 X 70°S		100	S-7 / B-0		F3	2 3/4"	AF60XN			
ROHB-130	AFG	1.20 X 80°S		100	S-7 / B-0		F12	2 3/4"	AF60XOSS			27
ROHB-130	AF	1.20 X 80°S		100	S-7 / B-0		F12	2 3/4"	AF60XO			
ROHB-150	AFG	1.35 X 80°S		100	S-7 / B-0		F12	2 3/4"	AF60XOSS			27
ROHB-150	AF	1.35 X 80°S		100	S-7 / B-0		F12	2 3/4"	AF60XO			
ROMB-084	AF	0.75 X 80°S		100	S-7 / B-0		F3	2 3/4"	AF60XN			

Rheem Manufacturing Cont.

Model	Burner	Nozzle	Alt. Nozzle	Pump (PSIG)	Air Settings	Baffle	Head	Static Plate / Stop Screw	Air Tube Combination	Depth	Welded Insertion	See note
ROMB-084	AFG	0.75 X 80°S		100	S-7 / B-0	5880	F3	2 3/4"	AF60XN			
ROMB-095	AF	0.85 X 80°S		100	S-7 / B-0		F3	2 3/4"	AF60XN			
ROMB-095	AFG	0.85 X 80°S		100	S-7 / B-0		F3	2 3/4"	AF60XN			
ROMB-112	AF	1.00 X 80°S		100	S-7 / B-0		F3	2 3/4"	AF60XN			
ROMB-112	AFG	1.00 X 80°S		100	S-7 / B-0		F3	2 3/4"	AF60XN			
ROMB-120	AF	1.10 X 70°S		100	S-7 / B-0		F3	2 3/4"	AF60XN			
ROMB-120	AFG	1.10 X 70°S		100	S-7 / B-0		F3	2 3/4"	AF60XN			
ROMB-130	AF	1.20 X 80°S		100	S-7 / B-0		F12	2 3/4"	AF60XO			
ROMB-130	AFG	1.20 X 80°S		100	S-7 / B-0		F12	2 3/4"	AF60XO			
ROMB-150	AF	1.35 X 80°S		100	S-7 / B-0		F12	2 3/4"	AF60XO			
ROMB-150	AFG	1.35 X 80°S		100	S-7 / B-0		F12	2 3/4"	AF60XO			
RONB-085	AF	0.75 X 80°S		100	S-7 / B-0		F3	2 3/4"	AF60XN			
RONB-095	AF	0.85 X 80°S		100	S-7 / B-0		F3	2 3/4"	AF60XN			
RONB-112	AF	1.00 X 80°S		100	S-7 / B-0		F3	2 3/4"	AF60XN			
RONB-120	AF	1.10 X 70°S		100	S-7 / B-0		F3	2 3/4"	AF60XN			
RONB-130	AF	1.20 X 80°S		100	S-7 / B-0		F12	2 3/4"	AF60XO			
RONB-150	AF	1.35 X 80°S		100	S-7 / B-0		F12	2 3/4"	AF60XO			
RONC-084	AFG	0.75 X 70°S		100	S-7 / B-0		F3	3 3/8"R	AF36BN			50
RONC-095	AFG	0.85 X 70°S		100	S-7 / B-0		F3	2 3/4"	AF36BN			50
RONC-112	AFG	1.00 X 70°S		100			F3	3 3/8"R	AF36XN			50
RONC-112	AFG	1.00 X 70°B		100	S-10/B-0		F3	2-3/4"	AF42XNHS	3-11/16"		2, 50
RONC-130	AFG	1.20 X 70°B		100	S-7 / B-4		F6	3 3/8"R	AF42JZHS	3-11/16"	58020096	2, 50
RONC-130	AFG	1.20 X 70°S		100	S-7 / B-0		F6	3 3/8"R	AF36JZ			50
ROUC-084	AFG	0.75 X 70°S		100	S-7 / B-0		F3	3 3/8"R	AF36BN			50
ROUC-095	AFG	0.85 X 70°S		100	S-7 / B-0		F3	3 3/8"R	AF36BN			50
ROUC-112	AFG	1.00 X 70°S		100	S-7 / B-0		F3	2 3/4"	AF36XN			50
ROUC-130	AFG	1.20 X 70°S		100	S-7 / B-0		F6	3 3/8"R	AF36JZ			50
ROUZ-084	AG	0.75 X 80°S		100			2 ID	34-9	A60BC			
ROUZ-112	AG	1.00 X 80°S		100			2 ID	34-9	A60BC			

Ruud

Model	Burner	Nozzle	Alt. Nozzle	Pump (PSIG)	Air Settings	Baffle	Head	Static Plate / Stop Screw	Air Tube Combination	Depth	Welded Insertion	See note
ROCB060P/E	AFG	0.40 X 60°W	0.40 X 60°B	175	S-5 / B-0	5880	L2	3 3/8"	AFG90MQSS	4 1/4"		8, 10, 16
ROCB072P/E	AFG	0.50 X 60°B	0.50 X 60°W	150	S-7 / B-0	5880	L2	3 3/8"	AFG90MQSS	4 1/4"		8, 10, 16
ROCB089P/E	AFG	0.60 X 60°B	0.60 X 60°W	150	S-10 / B-2	5880	L2	3 3/8"	AFG90MQSS	4 1/4"		8, 10, 16
ROCB0102P/E	AFG	0.65 X 60°B		175		5880	V1-0	2-3/4"	AFG90MDASN			
ROCB0118P/E	AFG	0.75 X 60°B		175			V1-0	2-3/4"	AFG90MDASN			
ROCB0130P/E	AFG	0.85 X 60°B		175			V1-1	2-3/4"	AFG90MDASN			
UOBB-084	AF	0.75 X 80°S		100	S-7 / B-0		F3	2 3/4"	AF60XNSS			27
UOBB-084	AFG	0.75 X 80°S		100	S-7 / B-0	5880	F3	2 3/4"	AF60XNSS			27
UOBB-095	AF	0.85 X 80°S		100	S-7 / B-0		F3	2 3/4"	AF60XNSS			27
UOBB-095	AFG	0.85 X 80°S		100	S-7 / B-0		F3	2 3/4"	AF60XNSS			27
UOBB-112	AF	1.00 X 80°S		100	S-7 / B-0		F3	2 3/4"	AF60XNSS			27
UOBB-112	AFG	1.00 X 80°S		100	S-7 / B-0		F3	2 3/4"	AF60XNSS			27
UOBB-120	AF	1.10 X 70°S		100	S-7 / B-0		F3	2 3/4"	AF60XNSS			27
UOBB-120	AFG	1.10 X 70°S		100	S-7 / B-0		F3	2 3/4"	AF60XNSS			27
UOBB-130	AF	1.20 X 80°S		100	S-7 / B-0		F12	2 3/4"	AF60XOSS			27
UOBB-130	AFG	1.20 X 80°S		100	S-7 / B-0		F12	2 3/4"	AF60XOSS			27
UOBB-150	AF	1.35 X 80°S		100	S-7 / B-0		F12	2 3/4"	AF60XOSS			27
UOBB-150	AFG	1.35 X 80°S		100	S-7 / B-0		F12	2 3/4"	AF60XOSS			27
UOBC 056	AFG	0.50 X 70°R		100	S-7 / B-0		F0	3 3/8"R	AF36JY			50
UOBC 067	AFG	0.60 X 70°AR		100	S-7 / B-0		F0	3 3/8"	AF36YL			50
UOBC 067	AFG	0.60 X 70°B		100	S-10 / B-0		F0	3 3/8"R	AF42JYHS	3-11/16"	580496	2, 50

Ruud Cont.

Model	Burner	Nozzle	Alt. Nozzle	Pump (PSIG)	Air Settings	Baffle	Head	Static Plate / Stop Screw	Air Tube Combination	Depth	Welded Insertion	See note
UOBC 084	AFG	0.75 X 70°B		100	S-7 / B-0		F3	2¼"	AF36XN			50
UOBC 096	AFG	0.85 X 70°B		100	S-7 / B-0		F3	2¼"	AF36XN			50
UOBC 112	AFG	1.00 X 70°B		100	S-7 / B-0		F3	2¼"	AF36XN			50
UOBC 130	AFG	1.20 X 70°S		100	S-7 / B-0		F6	3⅝"R	AF36JZ			50
UOBC 150	AFG	1.35 X 70°S		100	S-7 / B-0		F6	3⅝"R	AF36JZ			50
UOHB-084	AF	0.75 X 80°S		100	S-7 / B-0		F3	2¼"	AF60XNSS			27
UOHB-084	AFG	0.75 X 80°S		100	S-7 / B-0	5880	F3	2¼"	AF60XNSS			27
UOHB-095	AF	0.85 X 80°S		100	S-7 / B-0		F3	2¼"	AF60XNSS			27
UOHB-095	AFG	0.85 X 80°S		100	S-7 / B-0		F3	2¼"	AF60XNSS			27
UOHB-112	AF	1.00 X 80°S		100	S-7 / B-0		F3	2¼"	AF60XNSS			27
UOHB-112	AFG	1.00 X 80°S		100	S-7 / B-0		F3	2¼"	AF60XNSS			27
UOHB-120	AF	1.10 X 70°S		100	S-7 / B-0		F3	2¼"	AF60XNSS			27
UOHB-120	AFG	1.10 X 70°S		100	S-7 / B-0		F3	2¼"	AF60XNSS			27
UOHB-130	AF	1.20 X 80°S		100	S-7 / B-0		F12	2¼"	AF60XOSS			27
UOHB-130	AFG	1.20 X 80°S		100	S-7 / B-0		F12	2¼"	AF60XOSS			27
UOHB-150	AF	1.35 X 80°S		100	S-7 / B-0		F12	2¼"	AF60XOSS			27
UOHB-150	AFG	1.35 X 80°S		100	S-7 / B-0		F12	2¼"	AF60XOSS			27
UOMB-084	AF	0.75 X 80°S		100	S-7 / B-0		F3	2¼"	AF60XNSS			27
UOMB-084	AFG	0.75 X 80°S		100	S-7 / B-0	5880	F3	2¼"	AF60XNSS			27
UOMB-095	AF	0.85 X 80°S		100	S-7 / B-0		F3	2¼"	AF60XNSS			27
UOMB-095	AFG	0.85 X 80°S		100	S-7 / B-0		F3	2¼"	AF60XNSS			27
UOMB-112	AF	1.00 X 80°S		100	S-7 / B-0		F3	2¼"	AF60XNSS			27
UOMB-112	AFG	1.00 X 80°S		100	S-7 / B-0		F3	2¼"	AF60XNSS			27
UOMB-120	AF	1.10 X 70°S		100	S-7 / B-0		F3	2¼"	AF60XNSS			27
UOMB-120	AFG	1.10 X 70°S		100	S-7 / B-0		F3	2¼"	AF60XNSS			27
UOMB-130	AF	1.20 X 80°S		100	S-7 / B-0		F12	2¼"	AF60XOSS			27
UOMB-130	AFG	1.20 X 80°S		100	S-7 / B-0		F12	2¼"	AF60XOSS			27
UOMB-150	AF	1.35 X 80°S		100	S-7 / B-0		F12	2¼"	AF60XOSS			27
UOMB-150	AFG	1.35 X 80°S		100	S-7 / B-0		F12	2¼"	AF60XOSS			27
UONB-085	AF	0.75 X 80°S		100	S-7 / B-0		F3	2¼"	AF60XN			
UONB-095	AF	0.85 X 80°S		100	S-7 / B-0		F3	2¼"	AF60XN			
UONB-112	AF	1.00 X 80°S		100	S-7 / B-0		F3	2¼"	AF60XN			
UONB-120	AF	1.10 X 70°S		100	S-7 / B-0		F3	2¼"	AF60XN			
UONB-130	AF	1.20 X 80°S		100	S-7 / B-0		F12	2¼"	AF60XO			
UONB-150	AF	1.35 X 80°S		100	S-7 / B-0		F12	2¼"	AF60XO			
UONC 084	AFG	0.75 X 70°S		100	S-7 / B-0		F3	3⅝"R	AF36BN			
UONC 095	AFG	0.85 X 70°S		100	S-7 / B-0		F3	3⅝"R	AF36BN			50
UONC 112	AFG	1.00 X 70°S		100	S-7 / B-0		F3	2¼"	AF36XN			50
UONC 130	AFG	1.20 X 70°S		100	S-7 / B-0		F6	3⅝"R	AF36JZ			50
UOUC 084	AFG	0.75 X 70°S		100	S-7 / B-0		F3	3⅝"R	AF36BN			
UOUC 095	AFG	0.85 X 70°S		100	S-7 / B-0		F3	3⅝"R	AF36BN			
UOUC 112	AFG	1.00 X 70°S		100	S-7 / B-0		F3	2¼"	AF36XN			
UOUC 130	AFG	1.20 X 70°S		100	S-7 / B-0		F6	3⅝"	AF36JZ			
UOUZ-084	AG	0.75 X 80°S		100			2 ID	2¼"	A60BC			
UOUZ-112	AG	1.00 X 80°S		100			2 ID	2¼"	A60BC			

Siebring Manufacturing Co.

Model	Burner	Nozzle	Alt. Nozzle	Pump (PSIG)	Air Settings	Baffle	Head	Static Plate / Stop Screw	Air Tube Combination	Depth	Welded Insertion	See note
240 ROYAL	AFG	1.65 X 80°B		100	S-10 / B-0		F16	2¼"	AF65WF	5"		
320 ROYAL	AFG	2.25 X 80°B	2.25 X 80°P	100	S-10 / B-4		F16	2¼"	AF65WF	5"		
HDD1003	AFG	2.50 X 80°B		100	S-10 / B-5		F31	2¼"	AF65XV	5"		
HM125	AFG	0.85 X 80°B		100	S-7 / B-0		F4	2¼"	AF65WH	5"		
HM203	AFG	1.25 X 80°B		100	S-9 / B-0		F4	2¼"	AF65WH	5"		

Siebring Manufacturing Co. Cont.

Model	Burner	Nozzle	Alt. Nozzle	Pump (PSIG)	Air Settings	Baffle	Head	Static Plate / Stop Screw	Air Tube Combination	Depth	Welded Insertion	See note
HM303	AFG	2.00 X 80°B		100	S-10 / B-2		F16	2 3/4"	AF65WF	5"		
HM404	AFG	2.75 X 80°B		100	S-10 / B-5		F31	NONE	AF65XV	5"		
QUANTUM 140	AFG	1.00 X 80°B		100	S-7 / B-0		F4	3 3/8"	AF65WH	5"		
QUANTUM 210	AFG	1.50 X 80°A	1.50 X 80NS	100	S-10 / B-0		F16	2 3/4"	AF65WF	5"		
TH150	AFG	1.10 X 80°A		100	S-9 / B-0		F4	2 3/4"	AF65WH	5"		

Slant / Fin

Model	Burner	Nozzle	Alt. Nozzle	Pump (PSIG)	Air Settings	Baffle	Head	Static Plate / Stop Screw	Air Tube Combination	Depth	Welded Insertion	See note
L 20	AFG	0.75 X 80°B		100	S-9 / B-0		F0	2 3/4"	AF60YA	1 3/4"		4
L 30	AFG	1.10 X 80°W		100	S-9 / B-0		F4S	2 3/4"	AF60ZS	2 1/4"	580341	4
L 30	AFG	1.25 X 80°W	1.25 X 80°ES	100	S-9 / B-0		F4S	2 3/4"	AF60ZS	2 1/4"	580341	4
L 30	AFG	1.00 X 80°W		100	S-9 / B-0		F4S	2 3/4"	AF60ZS	2 1/4"	580341	4
L 30DV - 0.85	NX	0.65 X 60°W		175	2.5	32229	6-Slot		NX70LC	2"		3
L 30DV - 1.00	NX	0.75 X 60°B* (H)		175	2.5		6-Slot		NX70LC	2"		3, 31
L 30DV - 1.10	NX	0.85 X 60°B* (H)		175	3		6-Slot		NX70LC	2"		3, 31
L 40	AFG	1.50 X 80°B		100	S-10 / B-0		F120	2 3/4"	AF60YC	2 1/4"	580399	4
L 40	AFG	1.75 X 80°SS		100	S-10 / B-0		F120	2 3/4"	AF60YC	2 1/4"	580399	4
L 50	AFG	2.00 X 80°P		100	S-10 / B-3		F164	NONE	AF60JW	2 1/4"		4
L 50	AFG	2.25 X 80°P		100	S-10 / B-3		F164	NONE	AF60JW	2 3/4"		4
LD-60 260	CF375	2.25 X 45°P		135	S-10 / B-3		SL1-1		CF65KZ	2"		4
LD-60 285	CF375	2.25 X 45°P		160	S-10 / B-2		SL1-2		CF65KZ	2"		
LD-70 300	CF375	2.50 X 45°SS		145	S-10 / B-4		SL1-3		CF65KZ	2"		
LD-70 310	CF375	2.50 X 45°SS		155	S-10 / B-4		SL1-4		CF65KZ	2"		
LD-70 335	CF375	2.75 X 60°B		148	S-10 / B-4		SL1-5		CF65KZ	2"		
MR 100	AFG	1.00 X 80°B		100	S-8 / B-0		F3	2 3/4"	AF60XN	2 3/4"		
MR 120	AFG	1.20 X 80°B		100	S-7 / B-0		F6	2 3/4"	AF60YB	2 3/4"		
MR 150	AFG	1.50 X 80°B		100	S-7 / B-0		F6	2 3/4"	AF60YB	2 3/4"		
MR 200	AFG	2.00 X 80°B		100	S-7 / B-0		F12	NONE	AF60YN	2 3/4"		
MRB 85	AFG	0.85 X 80°B		100	S-7 / B-0		F3	2 3/4"	AF60XN	2 3/4"		
TRVD-30-100	AFII 150	0.85 X 60°B		140	2.75		AF2-6	3	HLX50HB	2"		44
XL-20	AFG	0.65 X 60°W		100	S-7 / B-0		F0	3 3/8"	AF60XR	1 3/4"		4
XL-30	AFG	1.00 X 80°W		100	S-8 / B-0		F3	2 3/4"	AF60XN	1 3/4"		4
XL-30H	AFG	0.85 X 70°W		100	S-8 / B-0		F3	2 3/4"	AF60XN	1 3/4"		4
XL-40	AF	1.35 X 80°W		130	S-10 / B-0		F6	NONE	AF60ZN	1 3/4"		4
XL-40	AF	1.35 X 80°W	1.35 X 80AS	100	S-10 / B-2		F6	NONE	AF60ZN	1 3/4"		4
XL-40H	AF	1.25 X 70°W		100	S-10 / B-2		F6	NONE	AF60ZN	1 3/4"		
XL-50	AF	1.75 X 70°B		100	S-10 / B-3		F12	NONE	AF60YN	1 3/4"		4
XL-50	AF	1.75 X 80°ES		100	S-10 / B-3		F12	NONE	AF60YN	1 3/4"		4

Spirit

Model	Burner	Nozzle	Alt. Nozzle	Pump (PSIG)	Air Settings	Baffle	Head	Static Plate / Stop Screw	Air Tube Combination	Depth	Welded Insertion	See note
VHF-ABP	AFG	0.50 X 80°A		120	S-4 / B-0	5880	F3	3 3/8"	AF60BDHSSS	4 1/2"		2, 27
VHF-ABP	AFG	0.60 X 80°A		120	S-6 / B-0	5880	F3	3 3/8"	AF60BDHSSS	4 1/2"		2, 28
VHF-ABP	AFG	0.75 X 80°A		120	S-8 / B-0	5880	F3	3 3/8"	AF60BNHSSS	4 1/2"		2, 29
VHF-ABP/ANP/ANE	NX	0.40 X 70°A	0.40 X 70°B* (H)	150	2	32229	9-Slot		NX50LGHS	4 1/2"		2
VHF-ABP/ANP/ANE	NX	0.50 X 70°A	0.50 X 70°B* (H)	150	2.25	32229	9-Slot		NX50LGHS	4 1/2"		2
VHF-ABP/ANP/ANE	NX	0.60 X 70°A	0.60 X 70°B* (H)	150	2.75	32229	9-Slot		NX50LGHS	4 1/2"		2
VHF-ABE-60	NX	0.40 X 70°A	0.40 X 70°B* (H)	150	2	32229	9-Slot		NX70LGHS	4 1/2"		2
VHF-ABE-72	NX	0.50 X 70°A	0.50 X 70°B* (H)	150	2.25	32229	9-Slot		NX70LGHS	4 1/2"		2
VHF-ABE-90	NX	0.60 X 70°A	0.60 X 70°B* (H)	150	2.75	32229	9-Slot		NX50LGHS	4 1/2"		2

State Industries

Model	Burner	Nozzle	Alt. Nozzle	Pump (PSIG)	Air Settings	Baffle	Head	Static Plate / Stop Screw	Air Tube Combination	Depth	Welded Insertion	See note
PRV-40-ORS5	AFG	0.65 X 80°A		100	S-2 / B-1		F3	2 3/4"	AF44XN			
PRV-40-ORS5-UK	AFG	0.50 X 80°B		100	S-6 / B-3		F3	2 3/4"	AF44XN			
SBT-100-280-OES6	AFG	2.00 X 80°B		100	S-6 / B-4		F22	NONE	AF44YF			
SBT-40-90-OES5	AFG	0.65 X 80°A		100	S-2 / B-1		F3	2 3/4"	AF44XN			
SBT-40-90-OES5-UK	AFG	0.50 X 80°B		100	S-6 / B-3		F3	2 3/4"	AF44XN			
SBT-70-350-OE6	SF	2.50 X 80°B		100	S-1 / B-3		F220	2 3/4"	SF44FZ			
SBT-70-350-OE6-UK-F	SF	2.00 X 80°B		100	S-2 / B-2		F220	2 3/4"	SF44FZ			
SBT-75-245-OE6	AFG	1.75 X 80°B		100	S-6 / B-3		F220	2 3/4"	AF44YD			
SBT-75-245-OE6-UK-F	AFG	1.50 X 80°B		100	S-7 / B-6		F220	NONE	AF44YG			
SBT-80-199-OE6	AFG	1.50 X 80°B		100	S-4 / B-4		F12	2 3/4"	AF44XO			
SBT-80-199-OE6-UK-F	AFG	1.25 X 80°A		100			F22	NONE	AF44YF			
SBT-80-430-OE6-UK-F	SF	2.50 X 80°B		100	S-7 / B-4		F300	NONE	SF40SA			
SBT-80-490-OE6	SF	3.50 X 80°B		100	S-6 / B-2		F300	NONE	SF40SA			

Sunderman Manufacturing Co.

Model	Burner	Nozzle	Alt. Nozzle	Pump (PSIG)	Air Settings	Baffle	Head	Static Plate / Stop Screw	Air Tube Combination	Depth	Welded Insertion	See note
LO20UB-1	AFG	1.35 X 80°A		100	S-8 / B-0		F12	2 3/4"	AF44XO	1"		
LO20UF	AFG	1.35 X 80°A		100	S-8 / B-0		F12	2 3/4"	AF44XO	1"		
LO20UF	AFG	1.10 X 80°A		140	S-8 / B-0		F12	2 3/4"	AF44XO	1"		
RO20UB-1	AFG	1.35 X 80°A		100	S-8 / B-0		F12	2 3/4"	AF44XO	1"		
RO20UF	AFG	1.35 X 80°A		100	S-8 / B-0		F12	2 3/4"	AF44XO	1"		
Z020	AFG	1.50 X 80°A		100	S-7 / B-0		F12	2 3/4"	AF65XO	4 1/8"		
Z040	AFG	2.75 X 80°B		100	S-7 / B-0		F31	2 3/4"	AF65XV	4 1/8"		

Tarm USA

Model	Burner	Nozzle	Alt. Nozzle	Pump (PSIG)	Air Settings	Baffle	Head	Static Plate / Stop Screw	Air Tube Combination	Depth	Welded Insertion	See note
Excel 2000	AF	1.00 X 80°B		100	S-7 / B-0		F3	3 3/8"	AF35YH	1 1/2"		
Excel 2200	AF	1.25 X 80°B		100	S-7 / B-0		F6	3 3/8"	AF35YY	1 1/2"		

Teledyne Laars

Model	Burner	Nozzle	Alt. Nozzle	Pump (PSIG)	Air Settings	Baffle	Head	Static Plate / Stop Screw	Air Tube Combination	Depth	Welded Insertion	See note
DP2000	ST	1.35 X 80°A	1.35 X 80°B	150	S-3 / B-0		F22	2 3/4"	SF44VP	3 3/4"		18, 40
DP250	AF	1.75 X 80°R		100	S-8 / B-0		F22	2 3/4"	AF44XP	3 3/4"		
DP3000	ST	2.00 X 80°A	2.00 X 80°B	150	S-5 / B-0		F22	2 3/4"	SF44VP	3 3/4"		18, 40
DP3000	AF	2.25 X 80°B	2.25 X 80°A	100	S-4 / B-4		F22	NONE	AF44YF	3 3/4"		*
DP350	AF	2.50 X 80°A		100	S-10 / B-3		F22	NONE	AF44YF	3 3/4"	58020280	
JF125	AFG	1.10 X 80°B	1.10 X 80°NS	140	S-10 / B-1		F3	3 3/8"	AF53YH	3 3/4"	58020020	
JF125	AFII 150	1.00 X 60°B		180	4		AF2-9	#5	HLX70HE	4 1/4"		
JF75	AF	0.75 X 80°B		100	S-7 / B-0		F3	2 3/4"	AF44XN	3 3/4"		
JF75	AFG	0.65 X 80°B	0.65 X 80°NS	100	S-4 / B-0		F3	3 3/8"	AF53YH	3 3/4"		
JF90	AF	0.90 X 80°B		100	S-7 / B-0		F3	2 3/4"	AF44XN	3 3/4"		
JF90	AFG	0.75 X 80°B	0.75 X 80°NS	100	S-5 / B-0		F3	3 3/8"	AF53YH	3 3/4"	58020020	
L387	AF	1.75 X 80°R		100	S-10 / B-3		F22	2 3/4"	AF44XP	3 3/4"		
L389	AF	2.50 X 80°A		100	S-8 / B-0		F22	NONE	AF44YF	3 3/4"	58020280	
L395	ST	1.35 X 80°A		150	S-10 / B-3		F22	2 3/4"	SF44VP			18
L395	ST	2.00 X 80°A		150	S-10 / B-3		F22	2 3/4"	SF44VP			18
NP 125-150-1	AFG	1.25 X 80°A		100	S-10 / B-0		F6	3 3/8"	AF54YYHSSS	2 3/4"		2, 27
NP 125-150-2	AFG	1.35 X 80°A		100	S-10 / B-1		F6	3 3/8"	AF54YYHSSS	2 3/4"		2, 27
NP 125-150-3	AFG	1.50 X 80°A		100	S-10 / B-2		F6	3 3/8"	AF54YYHSSS	2 3/4"		2, 27
NP 85-110-1	AFG	0.85 X 70°A		100	S-9 / B-0	5880	F3	3 3/8"	AF54YHHSSS	2 3/4"	58020261	2, 27
NP 85-110-2	AFG	0.85 X 70°A		140	S-7 / B-0		F3	3 3/8"	AF54YHHSSS	2 3/4"	58020261	2, 27

Teledyne Laars Cont.

Model	Burner	Nozzle	Alt. Nozzle	Pump (PSIG)	Air Settings	Baffle	Head	Static Plate / Stop Screw	Air Tube Combination	Depth	Welded Insertion	See note
NP 85-110-3	AFG	0.85 X 70°A		170	S-8 / B-0		F3	3½"	AF54YHHSSS	2¾"	58020261	2, 27

Thermo Dynamics

Model	Burner	Nozzle	Alt. Nozzle	Pump (PSIG)	Air Settings	Baffle	Head	Static Plate / Stop Screw	Air Tube Combination	Depth	Welded Insertion	See note
BY100	AF	1.00 X 80°W		100			F6	3½"	AF72WS	4"		
BY125	AF	1.25 X 80°A		100			F6	3¾"	AF72WN	4"		
BY75	AF	0.75 X 80°B		100			F3	3½"	AF72WR	4"		
CBX/TDX 090	NX	0.70 X 60°B		175	2.5		9-Slot		NX70LB	4"		
CBX/TDX 090DV	NX	0.70 X 60°B		175	2.75		9-Slot		NX90LB	4"	58020295	
CBX/TDX 100	NX	0.75 X 60°B		175	2.5		9-Slot		NX70LB	4"		
CBX/TDX 100DV	NX	0.75 X 60°B		175	3.75		9-Slot		NX90LB	4"		
CBX/TDX 110	NX	0.85 X 60°B		175	3.5		9-Slot		NX70LB	4"		
CBX/TDX 110DV	NX	0.85 X 60°B		175	2.75		9-Slot		NX90LB	4"	58020295	
COB110	AF	1.10 X 80°A		100			F3	2¾"	AF40XN	1¾"		
COB125	AF	1.25 X 80°A		100			F12	2¾"	AF40XO	1¾"		
COB135	AF	1.35 X 80°A		100			F12	2¾"	AF40XO	1¾"		
COB150	AF	1.50 X 80°A		100			F12	2¾"	AF40XO	1¾"		
COB90	AF	0.90 X 80°A		100			F3	2¾"	AF40XN	1¾"		
CWL090 CV-DV	NX	0.70 X 60°B	0.70 X 60°B* (H)	175	3.25		9-Slot		NX70LB	3¼"		45
CWL100	AFG	0.85 X 80°A	0.85 X 80°B* (H)	140			F4	3¾"	AF44WP	3¼"		4, 31, 45
CWL100	AFII 100	0.85 X 60°B		140	5		AF2-6	#5	HLX70HB	3"		15, 31
CWL100 CV-DV	NX	0.75 X 60°B	0.75 X 60°B* (H)	175	3.75		9-Slot		NX70LB	3¼"		45
CWL100-DV	AFII 100	0.85 X 60°B		140	5		AF2-6	#5	HLX70HB	3"		15, 31
CWL110	AFG	1.00 X 80°H	1.00 X 80°A	140			F6	3¾"	AF44YY	3¼"		4, 45
CWL110 CV-DV	NX	0.85 X 60°B	0.85 X 60°B* (H)	175	4.25		9-Slot		NX70LB	3¼"		45
CWL110-DV	AFII 100	1.00 X 60°ES	1.00 X 60°B	140	7		AF2-6	#7	HLX70HB	3"		15
CWL85	AFG	0.75 X 70°B	0.75 X 70°B* (H)	140			F3	3¾"	AF44YH	3¼"		4, 31, 45
CWL85	AFII 100	0.75 X 60°B	0.75 X 45°S	140	4.5		AF2-6	#4	HLX70HB	3"		15
CWL85-DV	AFII 100	.75 X 60°B		140	4.5		AF2-6	#4	HLX70HB	3"		15
HT100	AFG	0.85 X 80°B		140			F3	3½"	AF72WR	3¾"		4
HT100	NX	0.75 X 60°B	0.75 X 60°B* (H)	175	1.5		9-Slot		NX70LB	4"		
HT100/HT100 DV	AFII 150	0.85 X 60°B		140	4		AF2-9	#3	HLX70HC	3¾"		
HT110	AFG	0.90 X 80°B		140			F3	3½"	AF72WR	3¾"		4
HT110	NX	0.85 X 60°B	0.85 X 60°B* (H)	175	3		9-Slot		NX70LB	4"		
HT110/HT110 DV	AFII 150	0.90 X 60°B		140	5		AF2-9	#3	HLX70HC	3¾"	580389	
HT125	AFG	1.00 X 80°B		140			F6	3½"	AF72WS	3¾"		4
HT125	AFII 150	1.00 X 60°B		140	3		AF2-9	#7	HLX70HC	3¾"	580389	
HT125	NX	0.90 X 60°B	0.90 X 60°B* (H)	175	1.5	32229	9-Slot		NX70LD	3¾"		
HT125DV	NX	0.90 X 60°B	0.90 X 60°B* (H)	175	1	32229	9-Slot		NX70LD	3¾"		
HT135	AFG	1.10 X 80°B		140			F6	3½"	AF72WS	3¾"		4
HT135	AFII 150	1.10 X 60°B		140	4		AF2-9	#7	HLX70HC	3¾"	580389	
HT135	NX	1.00 X 60°B	1.00 X 60°B* (H)	175	1.5		9-Slot		NX70LD	3¾"		
HT150	AFG	1.25 X 80°B		140			F6	3½"	AF72WS	3¾"		4
HT150	AFII 150	1.25 X 60°B		140	8		AF2-9	#8	HLX70HC	3¾"	580389	
HT150	NX	1.10 X 60°B	1.10 X 60°B* (H)	175	2		9-Slot		NX70LD	3¾"		
HT90	AFG	0.75 X 80°B		140			F3	3½"	AF72WR	3¾"		4
HT90	NX	0.70 X 60°B	0.70 X 60°B* (H)	175	1		9-Slot		NX70LB	4"		
HT90/HT90 DV	AFII 150	0.75 X 60°B		140	3		AF2-9	#3	HLX70HC	3¾"	580389	
LM 125	NX	0.90 X 45°B		175	2		9-Slot		NX70LD	2"		40
LM 135	NX	1.00 X 45°B		175	2		9-Slot		NX70LD	2"		40
LM 150	NX	1.10 X 45°B		175	3		9-Slot		NX70LD	2"		40
LM/LMD100	AFII 150	0.85 X 70°B	0.85 X 70°AR	140	4		AF2-9	#0	HLX70HC	3¾"	580389	
LM/LMD110	AFII 150	0.90 X 70°B		140	5		AF2-9	#3	HLX70HC	3¾"	580389	

Thermo Dynamics Cont.

Model	Burner	Nozzle	Alt. Nozzle	Pump (PSIG)	Air Settings	Baffle	Head	Static Plate / Stop Screw	Air Tube Combination	Depth	Welded Insertion	See note
LM/LMD75	AFII 150	0.65 X 70°B		140	2		AF2-9	#0	HLX70HC	3/4"	580389	
LM100	AFG	0.85 X 80°A		140			F4	3 1/2"	AF72WP	3/4"		4
LM100 CV-DV	NX	0.75 X 60°B	0.75 X 60°B* (H)	175	3.5		9-Slot		NX70LBHS	3/8"		40
LM110	AFG	0.90 X 80°A		140			F6	3 1/2"	AF72WS	3/4"		4
LM110 CV-DV	NX	0.85 X 60°B	0.85 X 60°B* (H)	175	4		9-Slot		NX70LBHS	3/8"		2, 40
LM125	AFG	1.00 X 45°B		140		5880	V1-1	NONE	AFG50MLAS	3/4"	58020106	4
LM135	AFG	1.10 X 45°B		140		5880	V1-1	NONE	AFG50MLAS	3/4"	58020106	4
LM150	AFG	1.25 X 45°B		140		5880	V1-1	NONE	AFG50MLAS	3/4"	58020106	
LM75	AFG	0.65 X 80°A		140		5880	F3	3 1/2"	AF72ZP	3/4"	580375	4
LM75 CV-DV	NX	0.60 X 60°B	0.60 X 60°B* (H)	175	2.5		9-Slot		NX70LBHS	3/8"		2, 40
LV75/100	AFG	0.65 X 80°A		140		5880	F3	3 1/2"	AF72ZPHS	3"		2
S-100	AFG	0.75 X 80°B		140			F3	3 1/2"	AF40WR	1 3/4"	58020179	
S-110	AFG	0.85 X 80°B		140			F3	3 1/2"	AF40WR	1 3/4"	58020179	
S-125	AFG	1.00 X 80°A		140			F12	2 3/4"	AF40JK	1 3/4"	58020178	
S-135	AFG	1.10 X 80°A		140			F12	2 3/4"	AF40JK	1 3/4"	58020178	
S-150	AFG	1.25 X 80°A		140			F12	2 3/4"	AF40JK	1 3/4"	58020178	
S-85	AFG	0.65 X 80°B		140		5880	F3	3 1/2"	AF40WR	1 3/4"	58020179	
VTF1010	AF	2.00 X 80°A		100			F22	2 3/4"	AF40XP	4"		
VTF1450	AF	2.25 X 80°A		100			F22	2 3/4"	AF40XP	4"		
VTF1600	AF	2.50 X 80°A		100			F22	2 3/4"	AF40XP	4"		
VTF510	AF	1.00 X 80°A		100			F3	2 3/4"	AF40XN	4"		
VTF560	AF	1.10 X 80°A		100			F3	2 3/4"	AF40XN	4"		
VTF640	AF	1.25 X 80°A		100			F12	2 3/4"	AF40XO	4"		
VTF720	AF	1.35 X 80°A		100			F12	2 3/4"	AF40XO	4"		
VTF801	AF	1.50 X 80°A		100			F12	2 3/4"	AF40XO	4"		
VTF901	AF	1.75 X 80°A		100			F22	2 3/4"	AF40XP	4"		

Thermo Products

Model	Burner	Nozzle	Alt. Nozzle	Pump (PSIG)	Air Settings	Baffle	Head	Static Plate / Stop Screw	Air Tube Combination	Depth	Welded Insertion	See note
H2	AFG	0.50 X 70°A		120		5880	F0	3/8"R	AF35BOSS			27
L2	AFG	0.50 X 70°A		120		5880	F0	3/8"R	AF35BOSS			27
OC11-112	AF	1.00 X 80°A		100	S-7 / B-0		F6	2 3/4"	AF76YBSS			27
OC1-80	AF	0.65 X 80°A		100	S-7 / B-0		F3	3 1/2"	AF35ZPHS			2
OC2-56	AFG	0.50 X 70°A		120	S-5 / B-0	5880	F0	3/8"R	AF35BOSS			27
OC5-85	AF	0.75 X 80°H		100	S-7 / B-0		F3	2 3/4"	AF76XNSS			27
OH11-105	AF	0.90 X 80°A		100	S-7 / B-0		F3	2 3/4"	AF76XNOS			25
OH11-112	AF	1.00 X 80°A		100	S-7 / B-0		F6	2 3/4"	AF76YBSS			27
OH16-125	AF	1.10 X 80°A		100	S-7 / B-0		F6	2 3/4"	AF76YBOS			25
OH2-56	AFG	0.50 X 70°A		120	S-5 / B-0	5880	F0	3/8"R	AF35BOSS			27
OH3-72	AF	0.65 X 80°A		100	S-7 / B-0		F3	2 3/4"	AF76XNOS			25
OH5-85	AF	0.75 X 80°H		100	S-7 / B-0		F3	2 3/4"	AF76XNSS			27
OH5-85	AF	0.75 X 80°A		100	S-7 / B-0		F3	2 3/4"	AF76XNOS			25
OH6	AFG	0.50 X 80°A		120	S-3 / B-0	5880	F3	3/8"	AF60BDHSSS	4 1/2"		2, 27
OH6	AFG	0.60 X 80°B		120	S-4 / B-0	5880	F3	3/8"	AF60BDHSSS	4 1/2"		2, 27
OH6	AFG	0.75 X 80°A		120	S-5 / B-0	5880	F3	3/8"	AF60BDHSSS	4 1/2"		2, 27
OH8/OD8	AFG	1.00 X 80°A		120	S-5 / B-0		F6	2 3/4"	AF60YBHS	4 1/2"		2
OH8/OD8	AFG	1.10 X 80°A		120			F6	2 3/4"	AF60YBHS	4 1/2"		2
OH8/OD8	AFG	0.85 X 80°A		120			F6	2 3/4"	AF60YBHS	4 1/2"		2
OH8/OD8	NX	0.90 X 60°B		150	2		9-Slot		NX50LBHS	4 1/2"		2
OH8/OD8	NX	0.75 X 60°B		150		32229	9-Slot		NX50LBHS	4 1/2"		2
OH8/OD8	NX	1.00 X 60°B		150			9-Slot		NX50LBHS	4 1/2"		2
OL11-105	AF	0.90 X 80°A		100	S-7 / B-0		F3	2 3/4"	AF76XNOS			25
OL11-112	AF	1.00 X 80°A		100	S-7 / B-0		F6	2 3/4"	AF76YBSS			27

Thermo Products Cont.

Model	Burner	Nozzle	Alt. Nozzle	Pump (PSIG)	Air Settings	Baffle	Head	Static Plate / Stop Screw	Air Tube Combination	Depth	Welded Insertion	See note
OL16-125	AF	1.10 X 80°A		100	S-7 / B-0		F6	2¼"	AF76YBOS			25
OL20-151	AF	1.35 X 80°B		100	S-7 / B-0		F12	2¼"	AF76XOOS			25
OL21-140	AF	1.35 X 80°S		100	S-7 / B-0		F12	2¼"	AF56XOSS			27
OL2-56	AFG	0.50 X 70°A		120	S-5 / B-0	5880	F0	3¾"R	AF35BOSS			27
OL27-160	AF	1.75 X 80°B		100	S-7 / B-0		F22	2¼"	AF56XPOS			25
OL33-200	AF	1.75 X 80°B		100	S-7 / B-0		F22	2¼"	AF56XPOS			25
OL37-250	AF	2.25 X 80°B		100	S-7 / B-0		F31	2¼"	AF56XVSS			27
OL39-320	AF	2.75 X 80°B		100	S-7 / B-0		F31	NONE	AF56XSSS			27
OL5-85	AF	0.75 X 80°A		100	S-7 / B-0		F3	2¼"	AF76XNOS			25
OME68	AFG	0.65 X 80°B		100	S-7 / B-0	5880	F3	3¾"R	AF35BN			
OPA80	AFG	0.60 X 80°A		120	S-6 / B-0	5880	F3	3¾"R	AF50BNSS			6, 27
OPA80	AFG	0.75 X 80°A		120	S-7 / B-0	5880	F3	3¾"R	AF35BNSS			3, 6, 27
OPB80	AFG	0.60 X 80°A		120	S-6 / B-0	5880	F3	3¾"R	AF44BNHSSS			2, 27
OT11-105	AF	0.90 X 80°A		100	S-7 / B-0		F3	2¼"	AF76XNOS			25
OT11-112	AF	1.00 X 80°A		100	S-7 / B-0		F6	2¼"	AF76YBSS			27
OT16-125	AF	1.10 X 80°A		100	S-7 / B-0		F6	2¼"	AF76YBOS			25
OT5-85	AF	0.75 X 80°A		100	S-7 / B-0		F3	2¼"	AF76XNOS			25
VHF-AB	AFG	0.60 X 80°A		120	S-6 / B-0	5880	F3	3¾"	AF60BDHSSS	4½"		2, 13, 27

Thermoflo-Milwaukee

Model	Burner	Nozzle	Alt. Nozzle	Pump (PSIG)	Air Settings	Baffle	Head	Static Plate / Stop Screw	Air Tube Combination	Depth	Welded Insertion	See note
1104	AF	1.00 X 80°A		100	S-6 / B-0		F6	2¼"	AF104YBSSHS	8¾"		2, 27
1105	AF	1.25 X 70°A		100	S-6 / B-0		F6	2¼"	AF104YBSSHS	8¾"		2, 27
1106	AF	1.50 X 80°A		100	S-10 / B-2		F12	2¼"	AF104XOSS	9¾"		27
1107	AF	1.75 X 70°A		100	S-10 / B-0		F16	2¼"	AF104WFSS	9¾"	58020091	27
CFO-105	AFG	0.75 X 80°B		100	S-6 / B-0		F6	2¼"	AF90YBSSHS	7¾"	580523	2, 27
CFO-120	AFG	0.85 X 80°B		100	S-6 / B-0		F6	2¼"	AF90YBSSHS	7¾"	580523	2, 27
CFO-140	AF	1.00 X 80°A		100	S-6 / B-0		F6	2¼"	AF104YBSSHS	8¾"		2, 27
CFO-175	AF	1.25 X 80°A		100	S-6 / B-0		F6	2¼"	AF104YBSSHS	8¾"		2, 27
CFO-210	AF	1.50 X 80°A		100	S-10 / B-2		F12	2¼"	AF104XOSS	9¾"		27
CFO-245	AF	1.75 X 70°A		100	S-10 / B-0		F16	2¼"	AF104WFSS	9¾"	58020091	27
CFO-85	AFG	0.60 X 80°A		100	S-7 / B-0		F3	3¾"	AF65YHSSHS			2, 27
CSO 115	AF	1.00 X 80°B		100	S-5 / B-0		F3	2¼"	AF90XN			
CSO 150	AF	1.25 X 80°B		100	S-5 / B-0		F3	2¼"	AF90XN			
CSO 225	AF	1.75 X 80°B		100	S-5 / B-0		F3	2¼"	AF90XN			
CSO 300	SF	2.50 X 80°B		100	S-7 / B-0		F310	NONE	SF104FT			
CSO 400	SF	3.50 X 80°B		100	S-7 / B-0		F310	NONE	SF104FT			
CSO 525	SF	4.50 X 80°B		100	S-7 / B-0		F310	NONE	SF104FT			
CSO 80	AF	0.75 X 80°B		100	S-5 / B-0		F3	2¼"	AF90XN			
CSO 95	AF	0.85 X 80°B		100	S-5 / B-0		F3	2¼"	AF90XN			
HBO 105	AFG	0.75 X 80°B	0.75 X 80°AS	100	S-7 / B-0	5880	F3	3¾"	AF65YHSSHS			2, 27
HBO 120	AFG	0.85 X 80°B	0.85 X 80°AS	100	S-7 / B-0	5880	F3	3¾"	AF65YHSSHS			2, 27
HBO 140	AFG	1.00 X 80°B	1.00 X 80°R	100	S-6 / B-0		F6	2¼"	AF90YBSSHS	7¾"	580523	2, 27
HBO 175	AFG	1.25 X 80°B	1.25 X 80°R	100	S-6 / B-0		F6	2¼"	AF90YBSSHS	7¾"	580523	2, 27
HBO 85	AFG	0.60 X 80°A	0.60 X 80°AH	100	S-7 / B-0	5880	F3	3¾"	AF65YHSSHS			2, 27
HBO-10A	AFG	0.60 X 80°A		100	S-7 / B-0		F3	3¾"	AF65YHSSHS			2, 27
HBO-10A	AFG	0.75 X 80°B		100	S-7 / B-0		F3	3¾"	AF65YHSSHS			2, 27
HBO-10A	AFG	0.85 X 80°B		100	S-7 / B-0		F3	3¾"	AF65YHSSHS			2, 27
HBO-12A	AFG	1.00 X 80°B		100	S-6 / B-0		F6	2¼"	AF90YBSSHS	7¾"		2, 27
HBO-12A	AFG	1.25 X 80°B		100	S-6 / B-0		F6	2¼"	AF90YBSSHS	7¾"	580523	2, 27
HBO-210	AF	1.50 X 80°A		100	S-10 / B-2		F12	2¼"	AF104XOSS	9¾"		27
HBO-245	AF	1.75 X 70°A		100	S-10 / B-0		F16	2¼"	AF104WFSS	9¾"	58020091	27
LBO 105	AFG	0.75 X 80°B	0.75 X 80°AS	100	S-7 / B-0	5880	F3	3¾"	AF65YHSSHS			2, 27

Thermoflo-Milwaukee Cont.

Model	Burner	Nozzle	Alt. Nozzle	Pump (PSIG)	Air Settings	Baffle	Head	Static Plate / Stop Screw	Air Tube Combination	Depth	Welded Insertion	See note
LBO 120	AFG	0.85 X 80°B	0.85 X 80°AS	100	S-7 / B-0	5880	F3	3/8"	AF65YHSSHS			2, 27
LBO 140	AFG	1.00 X 80°B	1.00 X 80°R	100	S-8 / B-0		F6	2/4"	AF90YBSSHS	7/4"	580523	2, 27
LBO 175	AFG	1.25 X 80°B	1.25 X 80°R	100	S-8 / B-0		F6	2/4"	AF90YBSSHS	7/4"	580523	2, 27
LBO 210	AF	1.50 X 80°B		100	S-10 / B-2		F12	2/4"	AF104XOSS	9/4"		27
LBO 245	AF	1.75 X 70°A		100	S-10 / B-0		F16	2/4"	AF104WFSS	8/4"		27
LBO 85	AFG	0.60 X 80°A	0.60 X 80°AH	100	S-7 / B-0	5880	F3	3/8"	AF65YHSSHS			2, 27
LBO-10A	AFG	0.60 X 80°A		100	S-7 / B-0		F3	3/8"	AF65YHSSHS			2, 27
LBO-10A	AFG	0.75 X 80°B		100	S-7 / B-0		F3	3/8"	AF65YHSSHS			2, 27
LBO-10A	AFG	0.85 X 80°B		100	S-7 / B-0		F3	3/8"	AF65YHSSHS			2, 27
LBO-12A	AFG	1.00 X 80°B		100	S-7 / B-0		F6	2/4"	AF90YBSSHS			2, 27
LBO-12A	AFG	1.25 X 80°B		100	S-7 / B-0		F6	2/4"	AF90YBSSHS	7/4"	580523	2, 27

Trane

Model	Burner	Nozzle	Alt. Nozzle	Pump (PSIG)	Air Settings	Baffle	Head	Static Plate / Stop Screw	Air Tube Combination	Depth	Welded Insertion	See note
TCU055A936B	AFG	0.50 X 80°S		100	S-7 / B-0	5880	F3	3/8"	AF47YHFS			1
TCU055B936B	AFG	0.50 X 70°H		100	S-7 / B-0	5880	F3	3/8"	AF47YHFS			1
TCU085A936B	AFG	0.75 X 70°H		100	S-7 / B-0	5880	F3	3/8"	AF47YHFS			1
TCU085B936B	AFG	0.75 X 70°H		100	S-7 / B-0	5880	F3	3/8"	AF47YHFS			1
TCU100A948B	AFG	0.90 X 70°H		100	S-7 / B-0	5880	F3	3/8"	AF47YHFS			1
TCU100B948B	AFG	0.90 X 70°H		100	S-7 / B-0	5880	F3	3/8"	AF47YHFS			1
TCU125A960B	AFG	1.10 X 70°H		100	S-7 / B-0	5880	F6	2/4"	AF67YBFS			1
TCU125B960B	AFG	1.10 X 70°H		100	S-7 / B-0	5880	F6	2/4"	AF67YBFS			1
TDF085A936B	AFG	0.75 X 70°H		100	S-7 / B-0	5880	F3	3/8"	AF47YHFS			1
TDF112A948B	AFG	1.00 X 70°H		100	S-7 / B-0	5880	F3	3/8"	AF47YHFS			1
TDF1M087A936-948SAA	AF	0.60 X 80°A		130			F3	2/4"	AF57XNSS			27
TDF1M087A936-948SAA	AF	0.75 X 80°A		130			F3	2/4"	AF57XNSS			27
TDF1M087A936-948SAA	AF	0.85 X 80°A		130			F3	2/4"	AF57XNSS			27
TDF1M087A936-948SAA	AF	1.00 X 80°A		130			F3	2/4"	AF57XNSS			27
TDF1M087A9V3-9V5SAA	AF	1.00 X 80°A		130			F3	2/4"	AF57XNSS			27
TDF1M087A9V3-9V5SAA	AF	0.85 X 80°A		130			F3	2/4"	AF57XNSS			27
TDF1M087A9V3-9V5SAA	AF	0.75 X 80°A		130			F3	2/4"	AF57XNSS			27
TDF1M087A9V3-9V5SAA	AF	0.60 X 80°A		130			F3	2/4"	AF57XNSS			27
THV1M087A936-948SAA	AF	0.85 X 80°A		130			F3	2/4"	AF57XNSS			27
THV1M087A936-948SAA	AF	1.00 X 80°A		130			F3	2/4"	AF57XNSS			27
THV1M087A936-948SAA	AF	0.75 X 80°A		130			F3	2/4"	AF57XNSS			27
THV1M087A936-948SAA	AF	0.60 X 80°A		130			F3	2/4"	AF57XNSS			27
THV1M087A9V3-9V5SAA	AF	0.60 X 80°A		130			F3	2/4"	AF57XNSS			27
THV1M087A9V3-9V5SAA	AF	0.75 X 80°A		130			F3	2/4"	AF57XNSS			27
THV1M087A9V3-9V5SAA	AF	0.85 X 80°A		130			F3	2/4"	AF57XNSS			27
THV1M087A9V3-9V5SAA	AF	1.00 X 80°A		130			F3	2/4"	AF57XNSS			27
TLB085A936B	AFG	0.75 X 70°H		100	S-7 / B-0	5880	F3	3/8"	AF47YHFS			1
TLB085B936B	AFG	0.75 X 70°H		100	S-7 / B-0	5880	F3	3/8"	AF47YHFS			1
TLB100A948B	AFG	0.90 X 70°H		100	S-7 / B-0	5880	F3	3/8"	AF47YHFS			1
TLB100B948B	AFG	0.90 X 70°H		100	S-7 / B-0	5880	F3	3/8"	AF47YHFS			1
TLB125A960B	AFG	1.10 X 70°H		100	S-7 / B-0	5880	F6	2/4"	AF67YBFS			1
TLB125B960B	AFG	1.10 X 70°H		100	S-7 / B-0	5880	F6	2/4"	AF67YBFS			1
TLF1M087A936-948SAA	AF	0.60 X 80°A		130			F3	2/4"	AF57XNSS			27
TLF1M087A936-948SAA	AF	0.75 X 80°A		130			F3	2/4"	AF57XNSS			27
TLF1M087A936-948SAA	AF	0.85 X 80°A		130			F3	2/4"	AF57XNSS			27
TLF1M087A936-948SAA	AF	1.00 X 80°A		130			F3	2/4"	AF57XNSS			27
TLF1M087A9V3-9V5SAA	AF	0.60 X 80°A		130			F3	2/4"	AF57XNSS			27
TLF1M087A9V3-9V5SAA	AF	0.75 X 80°A		130			F3	2/4"	AF57XNSS			27
TLF1M087A9V3-9V5SAA	AF	0.85 X 80°A		130			F3	2/4"	AF57XNSS			27

Trane Cont.

Model	Burner	Nozzle	Alt. Nozzle	Pump (PSIG)	Air Settings	Baffle	Head	Static Plate / Stop Screw	Air Tube Combination	Depth	Welded Insertion	See note
TLF1M087A9V3-9V5SAA	AF	1.00 X 80°A		130			F3	2¾"	AF57XNSS			27
TLR1M0870936-948SAA	AF	0.60 X 80°A		130			F3	2¾"	AF57XNSS			27
TLR1M08709V3-9V5SAA	AF	0.60 X 80°A		130			F3	2¾"	AF57XNSS			27
TLR1M087A936-948SAA	AF	0.75 X 80°A		130			F3	2¾"	AF57XNSS			27
TLR1M087A936-948SAA	AF	1.00 X 80°A		130			F3	2¾"	AF57XNSS			27
TLR1M087A936-948SAA	AF	0.85 X 80°A		130			F3	2¾"	AF57XNSS			27
TLR1M087A9V3-9V5SAA	AF	0.85 X 80°A		130			F3	2¾"	AF57XNSS			27
TLR1M087A9V3-9V5SAA	AF	1.00 X 80°A		130			F3	2¾"	AF57XNSS			27
TLR1M087A9V3-9V5SAA	AF	0.75 X 80°A		130			F3	2¾"	AF57XNSS			27
TUH175B960B	AFG	1.50 X 70°S		100	S-7 / B-0		F12	2¾"	AF67XOFS			1

Trianco, Inc. / Laars, Inc.

Model	Burner	Nozzle	Alt. Nozzle	Pump (PSIG)	Air Settings	Baffle	Head	Static Plate / Stop Screw	Air Tube Combination	Depth	Welded Insertion	See note
DBC 100	AF	0.85 X 70°A		100	S-7 / B-0		F3	3¾"	AF54YHSS		2½"	27
DBC 115	AF	1.00 X 70°A		100	S-7 / B-0		F3	3¾"	AF54YHSS		2½"	27
DBC 125	AF	1.10 X 70°A		100	S-7 / B-0		F6	2¾"	AF54YBSS		2½"	27
DBC 140	AF	1.25 X 70°A		100	S-7 / B-0		F6	2¾"	AF54YBSS		2½"	27
DBC 155	AF	1.35 X 70°A		100	S-7 / B-0		F6	2¾"	AF54YBSS		2½"	27
DBC 175	AF	1.50 X 70°A		100	S-7 / B-0		F16	2¾"	AF54JLSS		2½"	27
DBC 200	AF	1.75 X 70°A		100	S-7 / B-0		F16	2¾"	AF54JLSS		2½"	27
DBC 85	AF	0.75 X 70°A		100	S-7 / B-0		F3	3¾"	AF54YHSS		2½"	27
DMAX 100	AFII 150	0.85 X 60°AS	0.85 X 60°B	140	4		AF2-9	#4	HLX50HE	58020137	3¾"	3
DMAX 120	AFII 150	1.00 X 60°AS	1.00 X 60°B	140	5		AF2-9	#6	HLX50HE	58020137	3¾"	3
DMAX 140	AFG	1.20 X 60°B* (H)	1.20 X 60°B	140	S-5 / B-3		V1-2	NONE	AFG70MLAS		4"	31, 40
DMAX 165	CF375	1.35 X 45°B* (H)		140	S-7 / B-0		V1-1		CF56KY		3¾"	31
DMAX 75	AFII 150	0.65 X 70°AS	0.65 X 70°B	140	3		AF2-9	#1	HLX50HE	58020137	3¾"	3
HC100	AFG	0.75 X 70°A	0.75 X 70°R	140	S-10 / B-0		F3	3¾"	AF54WA	580591	3¾"	
HC100	AFII 150	0.75 X 45°B	0.75 X 45°AS	140	2		AF2-6	#6	HLX70HB		4"	
HC125	AFG	0.90 X 80°B		140	S-10 / B-0		F3	3¾"	AF54WA	580591	3¾"	
HC125	AFII 150	0.90 X 45°B	0.90 X 45°S	140	3		AF2-6	#7	HLX70HB		4"	
HC145	AFG	1.10 X 80°B	1.10 X 80°R	140			F6	2¾"	AF54YB		3¾"	
HC145	AFII 150	1.00 X 60°B	1.00 X 60°ES	140	4		AF2-6	#4	HLX70HB		4"	
HC175	AFG	1.25 X 80°B	1.25 X 80°R	140			F6	2¾"	AF54YB		3¾"	
HC175	AFII 150	1.25 X 60°B	1.25 X 60°ES	140	5		AF2-6	#8	HLX70HB			
HC205	AFG	1.50 X 80°A		140			F16	2¾"	AF54WF			
HC240	AFG	1.75 X 80°B		140			F16	2¾"	AF54WF			
HC270	AFG	2.00 X 80°B		140			F22	2¾"	AF54XP			
HC300	AFG	2.25 X 80°B		140			F22	2¾"	AF54XP			
HO100	AFG	0.75 X 80°A		140			F3	3¾"	AF54WA			
HO125	AF	1.10 X 70°A		100	S-7 / B-0		F3	2¾"	AF62XN		2½"	
HO145	AFG	1.10 X 80°B		140			F6	2¾"	AF54YB			
HO175	AFG	1.25 X 80°B		140			F6	2¾"	AF54YB			
HO205	AFG	1.50 X 80°A		140			F16	2¾"	AF54WF			
HO240	AFG	1.75 X 80°A		140			F16	2¾"	AF54WF			
HO270	AFG	2.00 X 80°A		140			F22	2¾"	AF54XP			
HO300	AFG	2.25 X 80°A		140			F22	2¾"	AF54XP			
MAX 100	AFII 150	0.85 X 60°AS	0.85 X 60°B	140	4		AF2-9	#4	HLX50HE	58020137	3½"	
MAX 120	AFII 150	1.00 X 60°AS	1.00 X 60°B	140	4		AF2-9	#6	HLX50HE	58020137	3¾"	
MAX 140	AFG	1.20 X 60°B* (H)		140	S-12 / B-0		V1-2	NONE	AFG70MLAS		4"	31, 40
MAX 165	CF375	1.35 X 45°B* (H)		140	S-7 / B-0		V1-1		CF56KY		3¾"	31
MAX 75	AFII 150	0.65 X 70°AS	0.65 X 70°B* (H)	140	3		AF2-9	#1	HLX50HE	58020137	3¾"	
Newport 100	AFG	1.00 X 80°A	1.00 X 80°B* (H)	100	S-8 / B-0		F3	3¾"	AF54YHHSSS	58020261	2¾"	2, 27
Newport 110	AFG	1.10 X 70°A	1.10 X 70°B* (H)	100	S-10 / B-0		F3	3¾"	AF54YHHSSS	58020261	2¾"	2, 27

Trianco, Inc. / Laars, Inc. Cont.

Model	Burner	Nozzle	Alt. Nozzle	Pump (PSIG)	Air Settings	Baffle	Head	Static Plate / Stop Screw	Air Tube Combination	Depth	Welded Insertion	See note
Newport 125	AFG	1.25 X 80°A	1.25 X 80°B* (H)	100	S-10 / B-0		F6	3 $\frac{3}{8}$ "	AF54YYHSSS		2 $\frac{3}{4}$ "	2, 27
Newport 135	AFG	1.35 X 80°A	1.35 X 80°B* (H)	100	S-10 / B-1		F6	3 $\frac{3}{8}$ "	AF54YYHSSS		2 $\frac{3}{4}$ "	2, 27
Newport 150	AFG	1.50 X 80°A	1.50 X 80°B* (H)	100	S-10 / B-2		F6	3 $\frac{3}{8}$ "	AF54YYHSSS		2 $\frac{3}{4}$ "	2, 27
Newport 75	AFG	0.75 X 70°A	0.75 X 80°B* (H)	100	S-7 / B-0	5880	F3	3 $\frac{3}{8}$ "	AF54YHHSSS	58020261	2 $\frac{3}{4}$ "	2, 27
Newport 85	AFG	0.85 X 70°A	0.85 X 70°B* (H)	100	S-6 / B-0		F3	3 $\frac{3}{8}$ "	AF54YHHSSS	58020261	2 $\frac{3}{4}$ "	2, 27
SR100	AFG	0.75 X 70°A		140			F3	3 $\frac{5}{8}$ "	AF54WA			
SR125	AFG	0.90 X 80°B		140			F3	3 $\frac{5}{8}$ "	AF54WA			
SR145	AFG	1.10 X 80°B		140			F6	2 $\frac{3}{4}$ "	AF54YB			
SR175	AFG	1.25 X 80°B		140			F6	2 $\frac{3}{4}$ "	AF54YB			
SR205	AFG	1.50 X 80°A		140			F16	2 $\frac{3}{4}$ "	AF54WF			
SR240	AFG	1.75 X 80°A		140			F16	2 $\frac{3}{4}$ "	AF54WF			
SR270	AFG	2.00 X 80°A		140			F22	2 $\frac{3}{4}$ "	AF54XP			
SR300	AFG	2.25 X 80°A		140			F22	2 $\frac{3}{4}$ "	AF54XP			
TLM100	AF	0.85 X 70°A		100	S-7 / B-0		F3	3 $\frac{3}{8}$ "	AF54YHSS		2 $\frac{3}{8}$ "	27
TLM115	AF	1.00 X 70°A		100	S-7 / B-0		F3	3 $\frac{3}{8}$ "	AF54YHSS		2 $\frac{3}{8}$ "	27
TLM90	AF	0.75 X 70°A		100	S-7 / B-0		F3	3 $\frac{3}{8}$ "	AF54YHSS		2 $\frac{3}{8}$ "	27
TM125	AF	1.10 X 70°A		100	S-7 / B-0		F6	2 $\frac{3}{4}$ "	AF54YBSS		2 $\frac{3}{8}$ "	27
TOC120	AFG	0.85 X 80°A		140			F3	3 $\frac{3}{8}$ "	AF54WA			
TOC148	AFG	1.10 X 80°A		140			F4	3 $\frac{3}{8}$ "	AF54WP			
TOC166	AFG	1.25 X 80°A		140			F4	3 $\frac{3}{8}$ "	AF54WP			
TOC203	AFG	1.35 X 80°B		140			F6	3 $\frac{3}{8}$ "	AF54YY			
TOC95	AFG	0.75 X 80°A		140	S-7 / B-0		F3	3 $\frac{3}{8}$ "	AF54WA			
TRO113	AFG	0.85 X 80°A		140			F6	3 $\frac{3}{8}$ "	AF54YY			
TRO136	AFG	1.10 X 80°A		140			F6	3 $\frac{3}{8}$ "	AF54YY			
TRO162	AFG	1.25 X 80°A		140			F6	3 $\frac{3}{8}$ "	AF54YY			
TRO194	AFG	1.50 X 80°A		140			F12	2 $\frac{3}{4}$ "	AF54XO			
TRO94	AFG	0.75 X 80°A		140			F3	3 $\frac{3}{8}$ "	AF54YH			

Triangle Tube

Model	Burner	Nozzle	Alt. Nozzle	Pump (PSIG)	Air Settings	Baffle	Head	Static Plate / Stop Screw	Air Tube Combination	Depth	Welded Insertion	See note
DLT F-25	AFG	0.50 X 60°B	0.50 X 60°B* (H)	200	S-5 / B-0		L1	3 $\frac{3}{8}$ "	AFG50MB	2 $\frac{3}{4}$ "		19
DLT F-30	AFII 100	0.65 X 45°AS	0.65 X 45°B	175	6		AF2-6	#4	HLX70HD	3 $\frac{1}{8}$ "	58020301	15
DLT F-35	AFII 100	0.75 X 45°AS	0.75 X 45°B	175	6		AF2-6	#5	HLX70HD	3 $\frac{1}{8}$ "	58020301	15
DLT F-40	AFII 150	1.10 X 60°B		125	5		AF2-9	#4	HLX50HC			
DLT F-45	AFII 150	1.35 X 45°B		125	6		AF2-9	#8	HLX50HC			
F-25 CV	NX	0.50 X 60°B* (H)		175	2	32229	6-Slot		NX70LC	2"		15, 31
F-25 DV	NX	0.50 X 60°B* (H)	0.50 X 60°B	175	2	32229	6-Slot		NX70LC	2"		3, 15, 31
F-30 CV	NX	0.65 X 60°B* (H)	0.65 X 60°B	175	2.5	32229	6-Slot		NX70LC	2"		15, 31
F-30 DV	NX	0.65 X 60°B* (H)	0.65 X 60°B	175	2.5	32229	6-Slot		NX70LC	2"		3, 15, 31
F-35 CV	NX	0.75 X 60°B* (H)	0.75 X 60°B	175	3.25		9-Slot		NX70LB	2"		15, 31
F-35 DV	NX	0.75 X 60°B* (H)		175	3.25		9-Slot		NX70LB	2"		3, 15, 31
HM 100	CF375	2.25 X 45°P (H)		150	S-10 / B-5		SL1-2		CF56KZ	2"		31, 40
HM 100	SMG	2.25 X 45°P		150	S-5 / B-0		SV1-2		SMG82NR	3 $\frac{3}{4}$ "		
HM 40	AFII 150	1.10 X 60°B		125	5		AF2-9	#4	HLX50HC	2"		45
HM 45	AFII 150	1.35 X 45°B		125	6		AF2-9	#8	HLX50HC	2"		45
HM 60	SMG	1.65 X 60°B		150	S-2 / B-0		SV1-5		SMG82NR	2"		
HM 80	AFG	1.35 X 80°B		100	S-8 / B-0		F6	2 $\frac{3}{4}$ "	AF65YB	3 $\frac{1}{2}$ "		19
HM 90	CF375	1.75 X 45°B* (H)		140	S-10 / B-5		SL1-0		CF56KZ	2"		31, 40
HM 90	SMG	1.75 X 45°ES		150	S-2 / B-0		SV1-5		SMG82NR	3 $\frac{3}{4}$ "		
HMBURZ8	AFG	0.50 X 60°B		200			L1	3 $\frac{3}{8}$ "	AFG50MB	2 $\frac{3}{4}$ "		

Ultimate Engineering

Model	Burner	Nozzle	Alt. Nozzle	Pump (PSIG)	Air Settings	Baffle	Head	Static Plate / Stop Screw	Air Tube Combination	Depth	Welded Insertion	See note
PFO-4 0.65	AFG	0.60 X 80°A		140		5880	F0	2¾"	AF65XZT			
PFO-4 0.90	AFG	0.75 X 80°A		140			F3	2¾"	AF65XN		580379	
PFO-4 1.35	AFG	1.20 X 80°B		140			F6	2¾"	AF65YB			
PFO-5 0.75	AFG	0.65 X 80°A		140		5880	F3	2¾"	AF65XN			
PFO-5 1.10	AFG	1.00 X 80°A		140			F6	2¾"	AF65YB			
PFO-5 1.70	AFG	1.50 X 80°A		140			F12	2¾"	AF65XO			
PFO-5T 1.20	AFG	1.00 X 70°A		140			F6	2¾"	AF65YB			
PFO-6T 1.10-1.50	AFG	1.10-1.50 X 70°A		100			F6	2¾"	AF44YB			
PFO-6T 1.75-2.00	AFG	1.75-2.00 X 70°A		100			F22	2¾"	AF44XP			
PFO-7 1.00	AFG	0.90 X 80°B		140			F3	2¾"	AF65XN		580379	
PFO-7 1.50-1.75	AFG	1.50-1.75 X 70°A		100			F12	2¾"	AF44XO			
PFO-7 1.60	AFG	1.35 X 80°B		140			F6	2¾"	AF65YB			
PFO-7 1.75-2.00	AFG	1.75-2.00 X 70°A		100			F22	2¾"	AF44XP			
PFO-8T 1.50-1.75	AFG	1.50-1.75 X 70°A		100			F12	2¾"	AF44XO			
PFO-9 1.35	AFG	1.20 X 70°A		140			F6	2¾"	AF65YB			
PF-09 1.50-1.75	AFG	1.50-1.75 X 70°A		100			F12	2¾"	AF44XO			
PFO-9 2.00	AFG	1.75 X 60°B		140		5880	F22	2¾"	AF44XP			
PFO-3	AFG	0.60 X 80°A		140			F0	2¾"	AF65XZT			
PFO-3	AFG	0.65 X 70°A		140			F0	2¾"	AF65XZT			
PFO-3	AFG	0.75 X 80°B		140			F3	2¾"	AF65XN		580379	
PFO-3 FDVS 0.65	AFG	0.60 X 80°A		140		5880	F0	2¾"	AF65XZT	4½"		
PFO-3 FDVS 0.75	AFG	0.65 X 70°A		140			F0	2¾"	AF65XZT	4½"		
PFO-3 FDVS 0.90	AFG	0.75 X 80°B		140			F3	2¾"	AF65XN	4½"	580379	
PFO-3T 0.65	AFG	0.60 X 80°A		140			F0	2¾"	AF65XZT			
PFO-3T 0.85	AFG	0.75 X 80°A		140			F3	2¾"	AF65XN			
PFO-3T 1.10	AFG	0.90 X 80°B		140			F3	2¾"	AF65XN		580379	
PFO-3T FDVS 0.65	AFG	0.60 X 80°A		140		5880	F0	2¾"	AF65XZT	4½"		
PFO-3T FDVS 0.85	AFG	0.60 X 80°A		140			F3	2¾"	AF65XN	4½"	580379	
PFO-3T FDVS 1.10	AFG	0.90 X 80°B		140			F3	2¾"	AF65XN	4½"		
PFO-4 FDVS 0.65	AFG	0.60 X 80°A		140		5880	F0	2¾"	AF65XZT	4½"		
PFO-4 FDVS 1.00	AFG	0.75 X 80°A		140			F3	2¾"	AF65XN	4½"	580379	
PFO-4 FDVS 1.35	AFG	1.20 X 80°B		140			F6	2¾"	AF65YB	4½"		
PFO-4T 0.65	AFG	0.60 X 80°B		140			F0	2¾"	AF65XZT			
PFO-4T 1.00	AFG	0.85 X 80°B		140			F3	2¾"	AF65XN		580379	
PFO-4T 1.45	AFG	1.25 X 80°A		140			F6	2¾"	AF65YB			
PFO-4T FDVS 0.65	AFG	0.60 X 80°A		140		5880	F0	2¾"	AF65XZT	4½"		
PFO-4T FDVS 0.95	AFG	0.85 X 80°B		140			F3	2¾"	AF65XN	4½"	580379	
PFO-4T FDVS 1.45	AFG	1.25 X 80°B		140			F6	2¾"	AF65YB	4½"		
PFO-5 FDVS 0.75	AFG	0.65 X 80°A		140		5880	F3	2¾"	AF65XN	4½"	580379	
PFO-5 FDVS 1.10	AFG	1.00 X 80°A		140			F6	2¾"	AF65YB	4½"		
PFO-5 FDVS 1.70	AFG	1.50 X 80°A		140			F12	2¾"	AF65XO	4½"		
PFO-5T 0.80	AFG	0.65 X 70°A		140			F3	2¾"	AF65XN		580379	
PFO-5T 1.75	AFG	1.50 X 70°A		140			F12	2¾"	AF65XO			
PFO-5T FDVS 0.80	AFG	0.65 X 70°A		140		5880	F3	2¾"	AF65XN	4½"	580379	
PFO-5T FDVS 1.20	AFG	1.00 X 70°A		140			F6	2¾"	AF65YB	4½"		
PFO-5T FDVS 1.75	AFG	1.50 X 70°A		140			F12	2¾"	AF65XO	4½"		
PFO-6T 0.95	AFG	0.85 X 80°B		140			F3	2¾"	AF65XN		580379	
PFO-6T 1.45	AFG	1.20 X 80°B		140			F6	2¾"	AF65XO			
PFO-6T FDVS 0.95	AFG	0.85 X 80°B		140			F3	2¾"	AF65XN	4½"		
PFO-6T FDVS 1.45	AFG	1.20 X 80°B		140			F6	2¾"	AF65YB	4½"		
PFO-6T FDVS 2.10	CF375	1.75 X 45°B		140			SL1-0		CF56KZ	4"		
PFO-7 FDVS 1.00	AFG	0.90 X 80°B		140			F3	2¾"	AF65XN	4½"		
PFO-7 FDVS 1.60	AFG	1.35 X 80°B		140			F12	2¾"	AF65XO	4½"		
PFO-7 FDVS 2.35	CF375	2.00 X 45°B		140			SL1-0		CF56KZ	4"		

Ultimate Engineering Cont.

Model	Burner	Nozzle	Alt. Nozzle	Pump (PSIG)	Air Settings	Baffle	Head	Static Plate / Stop Screw	Air Tube Combination	Depth	Welded Insertion	See note
PFO-8T 1.25	AFG	1.00 X 70°A		140			F6	2 3/4"	AF65YB			
PFO-8T FDVS 1.25	AFG	1.00 X 70°A		140			F6	2 3/4"	AF65YB	4 1/2"		
PFO-8T FDVS 1.90	CF375	1.50 X 45°B		140			V1-1		CF56KY	4"		
PFO-8T FDVS 2.75	CF375	2.25 X 45°B		140			SL1-1		CF56KZ	4"		
PFO-9 FDVS 1.35	AFG	1.20 X 70°A		140			F6	2 3/4"	AF65YB	4 1/2"		
PFO-9 FDVS 2.00	CF375	1.65 X 45°B		140			SL1-0		CF56KZ	4"		
PFO-9 FDVS 3.00	CF375	2.50 X 45°B		140			SL1-3		CF56KZ	4"		

Utica Boiler

Model	Burner	Nozzle	Alt. Nozzle	Pump (PSIG)	Air Settings	Baffle	Head	Static Plate / Stop Screw	Air Tube Combination	Depth	Welded Insertion	See note
ACE/OU300,400	AF	1.00 X 80°H		100	S-6 / B-0		F4	2 3/4"	AF53WH	2"		
ACE/OU500	AF	1.65 X 80°H		100	S-9 / B-0		F12	2 3/4"	AF53XO	2"		
ACE/OU600	AF	2.00 X 80°H		100	S-10 / B-2		F22	3 3/8"	AF53WJ	2"		
ACE7	SM	2.25 X 70°S		100			F160	3 3/8"	SM53SC			
BC3095	AFG	0.85 X 80°B	0.85 X 80°B* (H)	140	S-6 / B-0		F3	2 3/4"	AF65XN	5"		
BC-3W	AF	0.85 X 80°B		140	S-7 / B-0		F3	2 3/4"	AF65XN	5"		
BC4100	AFG	0.85 X 80°B	0.85 X 80°B* (H)	140	S-7 / B-0		F3	2 3/4"	AF65XN	5"		
BC-4W	AF	1.25 X 80°B		140	S-7 / B-0		F6	2 3/4"	AF65YB	5"		
BOP77	SM	2.25 X 60°H		100	S-6 / B-0		F223	NONE	SM72SX	5"		
POBT3	AF	1.10 X 80°S		100	S-10 / B-0		F3	2 3/4"	AF65XN	5 3/8"		
POBT4	AF	1.35 X 80°S		100	S-10 / B-0		F6	2 3/4"	AF65YB	5 3/8"		
POBT5,6	AF	1.65 X 80°S		100	S-10 / B-0		F12	2 3/4"	AF65XO	5 3/8"		
POBT5,6	AF	2.00 X 80°S		100	S-10 / B-0		F12	2 3/4"	AF65XO	5 3/8"		
SF3	AFG	0.60 X 80°B		140	S-7 / B-0		F0	2 3/4"	AF72XZT	2 1/4"		
SF3	AFG	0.85 X 80°B		140	S-7 / B-0		F3	3 3/8"	AF72YH	2 1/4"		
SF3100	AFG	1.00 X 80°S		100	S-8 / B-0		F3	2 3/4"	AF35XN	1 1/2"		
SF365	AFG	0.65 X 80°S		100	S-5 / B-0		F0	3 3/8"	AF35YL	1 1/2"		
SF4	AFG	1.10 X 80°B		140	S-5 / B-1		F4	2 3/4"	AF72WH	2 1/4"		
SF4	AFG	1.25 X 80°B		140	S-6 / B-2		F6	2 3/4"	AF72YB	2 1/4"		
SF4100	AFG	1.00 X 80°S		100	S-8 / B-0		F3	2 3/4"	AF35XN	1 1/2"		
SF4125	AFG	1.25 X 80°S		100	S-9 / B-0		F4	2 3/4"	AF35WH	1 1/2"		
SF4150	AFG	1.50 X 80°S		100	S-10 / B-1		F6	2 3/4"	AF35YB	1 1/2"		
SF5	AFG	1.50 X 80°B		140	S-10 / B-1		F12	3"	AF72BP	2 1/4"	580532	
SF5125	AFG	1.25 X 80°S		100	S-9 / B-0		F4	2 3/4"	AF35WH	1 1/2"		
SF5175	AFG	1.75 X 80°H		100	S-10 / B-2		F16	2 3/4"	AF35WF	1 1/2"		
SF5200	AFG	2.00 X 80°H		100	S-10 / B-2		F16	2 3/4"	AF35WF	1 1/2"		
SF6150	AFG	1.50 X 80°S		100	S-10 / B-1		F6	2 3/4"	AF35YB	1 1/2"		
SFE3090	AFG	0.75 X 60°B	0.75 X 60°B* (H)	150	S-3 / B-1		L1	3 3/8"	AFG70MBAS	2 1/4"		
SFH/SFE4125	AFG	1.10 X 60°B	1.10 X 60°B* (H)	140	S-8 / B-1		V1-1	2 3/4"	AFG70MDAS	2 1/4"		
SFH/SFE5185	AFG	1.50 X 70°B	1.50 X 70°B* (H)	150	S-10 / B-2		F12	2 3/4"	AF72XO	2 1/4"		
SFH/SFE6210	AFG	1.75 X 70°B	1.75 X 70°B* (H)	145	S-10 / B-2		F16	NONE	AF72WK	2 1/4"		
SFH3085	AFG	0.75 X 60°B	0.75 X 60°B* (H)	140	S-8 / B-0		L1	3 3/8"	AFG70MBAS	2 1/4"	58020116	
SFH3100	AFG	0.85 X 80°B		140	S-5 / B-1		F3	3 3/8"	AF72YH	2 1/4"	58020188	
SFH3100	AFG	0.85 X 60°B	0.85 X 60°B* (H)	140	S-10 / B-1		L1	3 3/8"	AFG70MBAS	2 1/4"	58020116	
SFH3100	AFII 150	0.85 X 45°B		140	5		AF2-6	#2	HLX70HB	2 1/4"	58020206	
SFH3125	AFII 150	1.10 X 60°B	1.10 X 60°AR	140	6		AF2-9	#5	HLX70HC	2 1/4"	580567	45
SFH365	AFG	0.60 X 80°B		140	S-7 / B-0		F0	2 3/4"	AF72XZT	2 1/4"		
SFH365	AFII 85	0.60 X 45°B		140	2		AF2-6	#2	HLX70HD	2 1/4"		
SFH4100	AFG	0.85 X 80°B		140	S-5 / B-1		F3	3 3/8"	AF72YH	2 1/4"	58020188	
SFH4100	AFG	0.85 X 60°B	0.85 X 60°B* (H)	140	S-6 / B-0		V1-0	2 3/4"	AFG70MDAS	2 1/4"		
SFH4125	AFG	1.10 X 80°B		140	S-8 / B-1		F4	2 3/4"	AF72WH	2 1/4"		
SFH4145	AFG	1.25 X 60°B	1.25 X 60°B* (H)	140	S-10 / B-1		V1-2	2 3/4"	AFG70MDAS	2 1/4"		
SFH4150	AFG	1.25 X 80°B		140	S-6 / B-2		F6	2 3/4"	AF72YB	2 1/4"	58020194	

Utica Boiler Cont.

Model	Burner	Nozzle	Alt. Nozzle	Pump (PSIG)	Air Settings	Baffle	Head	Static Plate / Stop Screw	Air Tube Combination	Depth	Welded Insertion	See note
SFH5125	AFG	1.10 X 80°B		140	S-8 / B-1		F4	2¾"	AF72WH	2¼"		
SFH5160	AFG	1.35 X 70°B	1.35 X 70°B* (H)	140	S-10 / B-1		F12	2¾"	AF72XO	2¼"		
SFH5175	AFG	1.50 X 70°B		140	S-5 / B-3		F12	3"	AF72BP	2¼"	580532	
SFH5200	AFG	1.75 X 70°B		140	S-5 / B-5		F12	3"	AF72BP	2¼"	580532	
SFH6150	AFG	1.25 X 80°B		140	S-6 / B-2		F6	2¾"	AF72YB	2¼"	58020194	
SFH6175	AFG	1.50 X 70°B	1.50 X 70°B* (H)	140	S-8 / B-1		F12	NONE	AF72YN	2¼"		
SFH6225W	CF375	2.00 X 45°B		140	S-6 / B-3		SL1-0		CF100KZ	2¼"		
SFH7275W	CF375	2.25 X 45°B		140	S-4 / B-5		SL1-1		CF100KZ	2¼"		
SW3	AFII 100	0.60 X 45°B	0.60 X 45°S	140	3		AF2-6	#3	HLX70HB	2¼"	58020206	15
SW4	AFII 100	0.85 X 45°B		140	5		AF2-6	#5	HLX70HB	2¼"	58020206	15
SW5	AFII 150	1.10 X 45°B* (H)		140	58020206		AF2-6	#8	HLX70HB	2¼"	58020206	15, 31
TRB4075	AFG	0.65 X 60°B	0.65 X 60°B* (H)	140	S-7 / B-0		L2	3¾"	AFG70MQASN	2½"		3, 9
TRB4075DV	NX	0.60 X 60°B	0.60 X 60°AS	150	1.5		6-Slot		NX70LC	2½"	58020221	
TRB4095	AFG	0.85 X 60°B		125	S-10 / B-1		L2	3¾"	AFG70MQSSN	2½"		9
TRB4095DV	NX	0.75 X 60°B* (H)	0.75 X 60°B	155	4		6-Slot		NX70LC	2½"	58020221	31
TRB4110	AFG	0.90 X 60°B		150	S-10 / B-1		L1	NONE	AFG70MSASN	2½"		9
TRB5100	AFG	0.85 X 60°B	0.85 X 60°B* (H)	140	S-10 / B-2		L2	3¾"	AFG70MQASN	2½"		3, 9
TRB5100DV	NX	0.75 X 45°B	0.75 X 45°B* (H)	175	4		6-Slot		NX70LC	2½"	58020221	
TRB5115DV	NX	1.00 X 60°B* (H)	1.00 X 60°B	140	1.75		6-Slot		NX70LF	2½"		31
TRB5135DV	NX	1.10 X 60°B	1.10 X 60°B* (H)	150	2.5		6-Slot		NX70LF	2½"		
TRB6130	AFG	1.10 X 60°AS	1.10 X 60°B* (H)	140	S-5 / B-4		V1-0	2¾"M	AFG70MKAQN	2½"		3, 9
TRB6130DV	NX	1.00 X 45°B	1.00 X 45°B* (H)	175	2.25		9-Slot		NX70LD	2"	58020222	
TRB6145	AFG	1.10 X 60°AS	1.10 X 60°B* (H)	175	S-5 / B-3		V1-2	2¾"M	AFG70MKAQN	2½"		9
TRB7165	AFG	1.25 X 45°AS	1.25 X 45°B* (H)	175	S-7 / B-4		V1-2	2¾"M	AFG70MKAQN	2½"		3, 9
UH3K1.00	AFG	1.00 X 70°B	1.00 X 70°B* (H)	100	S-10 / B-0		L1	3¾"	AFG50MBAS	2½"		
UH4K1.25	AFG	1.25 X 70°B	1.25 X 70°B* (H)	100	S-10 / B-1		V1-0	3¾"	AFG50MDAS	2¼"		
UH5K2.00	AFG	2.00 X 60°B	2.00 X 60°B* (H)	100	S-10 / B-3		V1-4	2¾"	AFG50MDAS	2¼"		

Vaillant

Model	Burner	Nozzle	Alt. Nozzle	Pump (PSIG)	Air Settings	Baffle	Head	Static Plate / Stop Screw	Air Tube Combination	Depth	Welded Insertion	See note
F100-5	SMG	1.35 X 45°B		180	S-4 / B-0		SV1-0		SMG60NR	3½"		21
F100-6	SMG	1.50 X 45°B		180	S-4 / B-0		SV1-0		SMG60NR	3½"		21
F100-HE30	AFII 150	0.50 X 70°B		140			AF2-6	#0	HLX70HB			20
F100-HE30	AFII 85	0.50 X 70°B		140			AF2-9	#0	HLX50HC	3½"	580446	
F100-HE30	AFII 85	0.55 X 70°B		125			AF2-6	#2	HLX50HB	3½"		
F100-HE35	AFII 150	0.75 X 70°B		140			AF2-6	#0	HLX70HB			20
F100-HE35	AFII 150	0.70 X 70°B		140			AF2-9	#0	HLX50HC	3½"	580446	
F100-HE40	AFII 150	0.75 X 70°B		140			AF2-6	#0	HLX70HB			20
F100-HE40	AFII 150	0.75 X 70°B		140			AF2-9	#0	HLX50HC	3½"	580446	
F100-HE45	AFII 150	1.25 X 60°B		140			AF2-6	#8	HLX70HB			20
F100-HE45	AFII 150	1.10 X 60°B		140			AF2-9	#6	HLX50HC	3½"	580446	
F100-HE50	AFII 150	1.25 X 60°B		140			AF2-6	#8	HLX70HB			20
F100-HE50	AFII 150	1.25 X 60°B		140			AF2-9	#5	HLX50HC		580446	
F70-30	AFII 85	0.50 X 45°AS	0.50 X 45°B	140			AF2-6	#2	HLX70HB			
F70-40	AFG	0.65 X 80°B		140	S-8 / B-0		F3	3½"	AF65ZP		580297	
F70-40	AFG	0.65 X 60°A		140			L1	3¾"	AFG50MB			
F70-40	AFII 150	0.60 X 70°B		140			AF2-6	#0	HLX70HD			
F70-45	AFG	0.75 X 80°B		140	S-8 / B-0		F3	3½"	AF65ZP		580297	
F70-45	AFG	0.65 X 60°A		140			L1	3¾"	AFG50MB			
F70-45	AFII 150	0.75 X 70°B		140			AF2-6	#0	HLX70HD			
F70-50	AFG	0.90 X 80°B		140	S-8 / B-0		F3	3½"	AF65ZP		580297	
F70-50	AFG	0.85 X 60°A		140			V1-0	2¾"	AFG50MD			
F70-50	AFII 150	0.85 X 60°B		140			AF2-6	#3	HLX70HB			

Vaillant Cont.

Model	Burner	Nozzle	Alt. Nozzle	Pump (PSIG)	Air Settings	Baffle	Head	Static Plate / Stop Screw	Air Tube Combination	Depth	Welded Insertion	See note
F70-55	AFG	1.10 X 80°B		140	S-8 / B-0		F6	2¾"	AF65YB		580298	
F70-55	AFG	1.10 X 60°B		140			V1-0	2¾"	AFG50MD			
F70-55	AFII 150	1.10 X 60°B		140			AF2-6	#5	HLX70HB			
F70-60	AFG	1.20 X 80°B		140	S-8 / B-0		F6	2¾"	AF65YB		580298	
F70-60	AFG	1.20 X 60°B		140			V1-0	2¾"	AFG50MD			
F70-60	AFII 150	1.10 X 45°AS	1.10 X 45°B	170			AF2-6	#8	HLX70HB			
F75-30	AFII 85	0.50 X 45°AS		180			AF2-6	#2	HLX70HB			
F75-40	AFG	0.65 X 80°B		140	S-8 / B-0		F3	3½"	AF65ZP		580297	
F75-40	AFG	0.65 X 60°A		140			L1	3¾"	AFG50MB			
F75-40	AFII 150	0.60 X 70°B	0.60 X 70°R	140			AF2-6	#0	HLX70HD			
F75-45	AFG	0.75 X 80°B		140	S-8 / B-0		F3	3½"	AF65ZP		580297	
F75-45	AFG	0.75 X 60°A		140			L1	3¾"	AFG50MB			
F75-45	AFII 150	0.75 X 70°B		140			AF2-6	#0	HLX70HD			
F75-50	AFG	0.90 X 80°B		140	S-8 / B-0		F3	3½"	AF65ZP		580297	
F75-50	AFG	0.85 X 60°A		140			V1-0	2¾"	AFG50MD			
F75-50	AFII 150	0.85 X 60°B	0.85 X 60°AR	140			AF2-6	#3	HLX70HB			
F75-55	AFG	1.10 X 80°B		140	S-8 / B-0		F6	2¾"	AF65YB		580298	
F75-55	AFG	1.10 X 60°B		140			V1-0	2¾"	AFG50MD			
F75-55	AFII 150	1.10 X 60°B		140			AF2-6	#5	HLX70HB			
F75-60	AFG	1.20 X 80°B		140	S-8 / B-0		F6	2¾"	AF65YB		580298	
F75-60	AFG	1.20 X 60°B		140			V1-2	2¾"	AFG50MD			
F75-60	AFII 150	1.10 X 45°AS		170			AF2-6	#8	HLX70HB	4"	580352	

Viessmann

Model	Burner	Nozzle	Alt. Nozzle	Pump (PSIG)	Air Settings	Baffle	Head	Static Plate / Stop Screw	Air Tube Combination	Depth	Welded Insertion	See note
VR1-22	NX	0.50 X 60°B	0.50 X 60°B* (H)	175	1.5		6-Slot		NX70LH	3-7/16"		3, 46, 47
VR1-22	NX	0.50 X 60°B	0.50 X 60°B* (H)	190	2		6-Slot		NX70LP	3¼"		20, 40
VR1-27	NX	0.60 X 60°AS	0.60 X 60°B	175	2.5		6-Slot		NX70LP	3¼"		20, 40
VR1-27	NX	0.60 X 60°AS		175	1.5		6-Slot		NX70LC	3¾"		3
VR1-33	NX	0.75 X 60°B	0.75 X 60°B* (H)	175	2.75	32229	6-Slot		NX70LC	3¾"		3, 40
VR1-33	NX	0.75 X 60°A	0.75 X 60°W	175	3.25		9-Slot		NX70LJ	3¾"		20, 40
VR1-40	NX	0.85 X 60°(B)H		195	3.25		9-Slot		NX70LB	3¾"	58020157	3, 31, 40
VR1-40	NX	0.85 X 60°A	0.85 X 60°AH	175	3.5		9-Slot		NX70LJ	4¾"		20
VR1-50	AFG	1.10 X 45°W	1.10 X 45°W (H)	175	S-10 / B-2		V1-1	2¾"	AFG90MDAQ	7¼"	58020160	20, 37, 40
VR1-50	AFG	1.10X60AS		175			V1-1	2¾"	AFG90MDAQ	7¼"	58020160	37
VR1-63	AFG	1.35X60B		175	S-10 / B-2		V1-4	2¾"	AFG90MDAQ	7¼"	58020160	20, 37, 40
VR1-63	AFG	1.35 X 60°W	1.35 X 60°W (H)	175	S-10 / B-2		V1-4	2¾"	AFG90MDAQ	7¼"	58020160	20, 37, 40

Weil-McLain

Model	Burner	Nozzle	Alt. Nozzle	Pump (PSIG)	Air Settings	Baffle	Head	Static Plate / Stop Screw	Air Tube Combination	Depth	Welded Insertion	See note
B-368,V	AFG	1.00 X 80°A		100			F3	2¾"	AF44XN		580373	
B-468,V	AFG	1.25 X 80°A		100			F6	2¾"	AF44YB		580371	
B-568,V	AFG	1.50 X 80°A		100			F6	2¾"	AF44YB		580371	
B-668, V	AFG	1.75 X 80°A		100			F12	2¾"	AF44XO			
B-768,V	AFG	2.00 X 60°B		100			V1-4	2¾"	AFG50MD			
B-868	AFG	2.25 X 60°B		100	S-10 / B-5		V1-5	2¾"	AFG50MD	3"		
B-968	AFG	2.50 X 60°B		100	S-10/B-10		V1-6	2¾"	AFG50MD			
CHB/CLB 105	NX	0.55 X 60°W	0.55 X 60°B* (H)	140	1.75		9-Slot		NX70LBHS	5¼"	58020271	2
CHB/CLB 105	NX	0.75 X 60°W	0.75 X 60°B* (H)	140	3		9-Slot		NX70LBHS	5¼"	58020271	2
CHB/CLB 105	NX	0.65 X 60°W	0.65 X 60°B* (H)	140	2.5		9-Slot		NX70LBHS	5¼"	58020271	2
CHB/CLB 140	NX	0.85 X 60°W	0.85 X 60°B* (H)	140	3.5		9-Slot		NX90LBHS	7¾"		2
CHB/CLB 140	NX	0.90 X 60°W	0.90 X 60°B* (H)	150	1.5	32229	9-Slot		NX90LDHS	7¾"		2

Weil-McLain Cont.

Model	Burner	Nozzle	Alt. Nozzle	Pump (PSIG)	Air Settings	Baffle	Head	Static Plate / Stop Screw	Air Tube Combination	Depth	Welded Insertion	See note
CHB/CLB 140	NX	1.00 X 60°W	1.00 X 60°B* (H)	150	2	32229	9-Slot		NX90LDHS	7 $\frac{1}{2}$ "		2
GO-2	AFG	0.75 X 70°B		100	S-7 / B-0		L1	3 $\frac{3}{8}$ "	AFG50MB	3"		
GO-2 PLUS	AFG	0.85 X 45°B	0.85 X 45°B* (H)	140	S-10 / B-0		L1	3 $\frac{3}{8}$ "	AFG50MBAS	3"	580307	
GO-3	AFG	0.85 X 70°B* (H)	0.85 X 70°B	140			F3	3 $\frac{3}{8}$ "	AF44YH	3"	580433	31, 36
GO-3	AFG	0.85 X 45°B	0.85 X 45°B* (H)	140	S-8 / B-0		L1	3 $\frac{3}{8}$ "	AFG50MBAS	3"	580307	
GO-3R	AFG	0.65 X 60°B	0.65 X 60°B* (H)	150	S-9 / B-0		L1	3 $\frac{3}{8}$ "	AFG50MBAS	3"	580307	
GO-4	AFG	1.25 X 80°B		100	S-7 / B-1		F4	2 $\frac{3}{4}$ "	AF44WH	3"	580434	
GO-4R	AFG	0.85 X 80°B	0.85 X 80°B* (H)	140	S-6 / B-0		F4	2 $\frac{3}{4}$ "	AF44WH	3"		
GO-5	AFG	1.50 X 80°B	1.50 X 80°B* (H)	100	S-10 / B-2		F6	3 $\frac{3}{8}$ "	AF44YY	3"	580456	
GO-5R	AFG	1.00 X 70°B	1.00 X 70°B* (H)	140	S-8 / B-0		F6	3 $\frac{3}{8}$ "	AF44YY	3"		
GO-6	AFG	1.75 X 80°B	1.75 X 80°B* (H)	100	S-10 / B-3		F12	2 $\frac{3}{4}$ "	AF44XO	3"	580380	
GO-6R	AFG	1.20 X 70°B	1.20 X 70°B* (H)	140	S-9 / B-0		F12	2 $\frac{3}{4}$ "	AF44XO	3"		
GO-7	AFG	2.00 X 60°B	2.00 X 60°B* (H)	100	S-10 / B-3		V1-4	2 $\frac{3}{4}$ "M	AFG50MK	3"	580451	
GO-7R	AFG	1.35 X 60°B	1.35 X 60°B* (H)	140	S-7 / B-2		V1-3	2 $\frac{3}{4}$ "M	AFG50MK	3"	580451	
GO-8	AFG	2.25 X 45°P	2.25 X 60°B	100	S-10 / B-5		V1-5	2 $\frac{3}{4}$ "M	AFG50MK	3"	580451	
GO-9	AFG	2.50 X 60°B	2.50 X 60°P	100	S-10 / B-8		V1-5	2 $\frac{3}{4}$ "M	AFG50MK	3"	580451	
UO-3 .80 GPH	NX	0.65 X 60°A	0.65 X 60°B	150	1.75		6-Slot		NX70LC	1 $\frac{1}{4}$ "		49
UO-3 1.00 GPH	NX	0.75 X 60°B* (H)		175	4		6-Slot		NX70LC	1-3/4"		31, 49
UO-3 DV .80 GPH	NX	0.65 X 60°A		150	2		6-Slot		NX70LC	1-3/4"		31, 47
UO-3 DV 1.0 GPH	NX	0.75 X 60°B* (H)		175	2.5		6-Slot		NX70LC	1-3/4"		31, 49
P-266-HE	AFG	0.75 X 80°A		100	S-7 / B-0		F3	3 $\frac{3}{8}$ "	AF44YH			
P-268,V	AFG	0.75 X 60°A		100	S-6 / B-0		L1	3 $\frac{3}{8}$ "	AFG50MB	3"	580307	
P-366-HE	AFG	1.00 X 80°A		100	S-9 / B-0		F3	2 $\frac{3}{4}$ "	AF44XN			
P-368,V	AFG	1.00 X 80°A		100	S-9 / B-0		F3	2 $\frac{3}{4}$ "	AF44XN	3"		
P-466-HE	AFG	1.25 X 80°B		100	S-10 / B-0		F6	2 $\frac{3}{4}$ "	AF44YB			
P468,V	AFG	1.25 X 80°A		100	S-10 / B-0		F6	2 $\frac{3}{4}$ "	AF44YB	3"		
P-566-HE	AFG	1.50 X 80°A		100	S-10 / B-2		F6	2 $\frac{3}{4}$ "	AF44YB			
P-568,V	AFG	1.50 X 80°A		100	S-10 / B-2		F6	2 $\frac{3}{4}$ "	AF44YB	3"		
P-666-HE	AFG	1.75 X 80°A		100	S-10 / B-3		F12	2 $\frac{3}{4}$ "	AF44XO			
P-668,V	AFG	1.75 X 80°A		100	S-10 / B-3		F12	2 $\frac{3}{4}$ "	AF44XO	3"		
P-766-HE	AFG	2.00 X 80°A		100	S-10 / B-4		F16	2 $\frac{3}{4}$ "	AF44XO			
P-768,V	AFG	2.00 X 60°B		100	S-10 / B-4		V1-4	2 $\frac{3}{4}$ "	AFG50MD	3"		
UO-3	AFG	0.85 X 60°B	0.85 X 60°B* (H)	140	S-10 / B-1		L2	2 $\frac{3}{4}$ "	AFG70MPASN	1 $\frac{1}{4}$ "	58020271	9
UO-4	AFG	1.00 X 60°B	1.00 X 60°B* (H)	140	S-8 / B-0		V1-0	2 $\frac{3}{4}$ "	AFG70MDASN	1 $\frac{1}{4}$ "		9
UO-5	AFG	1.10 X 60°B	1.10 X 60°B* (H)	160	S-9 / B-1		V1-0	2 $\frac{3}{4}$ "	AFG70MDASN	1 $\frac{1}{4}$ "		9
UO-4	AFG	1.00 X 60°B		140	S-8 / B-0		V1-0	2 $\frac{3}{4}$ "	AFG70MDASN	1-3/4"		9
UO-4	NX	1.00 X 60°W		140	2.5		9-Slot		NX90LD	3-1/2"		47
UO-4 DV	NX	0.85 X 60°W		190	4.5		9-Slot		NX90LB	3-1/2"		47
UO-5	NX	1.10 X 70°B* (H)		160	2.5		9-Slot		NX90LD	3-1/2"		31, 47
UO-5	AFG	1.10 X 60°B		160	S-9 / B-1		V1-0	2 $\frac{3}{4}$ "	AFG70MDASN	1-3/4"		9
UO-5 DV	NX	1.10 X 70°B(H)		160	2.5		9-Slot		NX90LD	3-1/2"		47

Williamson Co.

Model	Burner	Nozzle	Alt. Nozzle	Pump (PSIG)	Air Settings	Baffle	Head	Static Plate / Stop Screw	Air Tube Combination	Depth	Welded Insertion	See note
CCF-105	AFG	0.75 X 80°B		100			F6	2 $\frac{3}{4}$ "	AF90YBSSHS	7 $\frac{1}{4}$ "		2, 27
CHB/CLB/LB-105-S2,S1	AFG	0.85 X 80°B		100		5880	F3	3 $\frac{3}{8}$ "	AF65YHSSHS	5 $\frac{1}{2}$ "	580413	2, 27
CHB/CLB-140	AFG	1.00 X 80°B		100			F6	2 $\frac{3}{4}$ "	AF90YBSSHS	7 $\frac{1}{4}$ "		2, 27
TCF-105	AF	0.75 X 80°A		100			F3	3 $\frac{3}{8}$ "R	AF72BNHSSS	6 $\frac{1}{2}$ "		2, 27
THB-105	AF	0.75 X 80°A		100			F3	3 $\frac{3}{8}$ "R	AF72BNHSSS	6 $\frac{1}{2}$ "	580522	2, 27
THB-105-S2	AF	0.65 X 80°A		100			F3	3 $\frac{3}{8}$ "R	AF72BNHSSS	6 $\frac{1}{2}$ "	580522	2, 27
THB-105-S2	AF	0.75 X 80°A		100			F3	3 $\frac{3}{8}$ "R	AF72BNHSSS	6 $\frac{1}{2}$ "	580522	2, 27
THB-105-S2	AF	0.85 X 80°A		100			F3	3 $\frac{3}{8}$ "R	AF72BNHSSS	6 $\frac{1}{2}$ "	580522	2, 27
THZ-105	AF	0.75 X 80°A		100			F3	3 $\frac{3}{8}$ "R	AF90BNHSSS	6 $\frac{1}{2}$ "		2, 27

Williamson Co. Cont.

Model	Burner	Nozzle	Alt. Nozzle	Pump (PSIG)	Air Settings	Baffle	Head	Static Plate / Stop Screw	Air Tube Combination	Depth	Welded Insertion	See note
THZ-105	AF	0.60 X 80°A		100			F3	3 $\frac{3}{8}$ "R	AF90BNHSSS	6 $\frac{1}{2}$ "		2, 27
TLB-105-S2	AF	0.65 X 80°A		100			F3	3 $\frac{3}{8}$ "R	AF72BNHSSS	6 $\frac{1}{2}$ "	580522	2, 27
TLB-105-S2	AF	0.75 X 80°A		100			F3	3 $\frac{3}{8}$ "R	AF72BNHSSS	6 $\frac{1}{2}$ "	580522	2, 27
TLB-105-S2	AF	0.85 X 80°A		100			F3	3 $\frac{3}{8}$ "R	AF72BNHSSS	6 $\frac{1}{2}$ "	580522	2, 27
WCFO-105	AFG	0.75 X 80°B		100			F6	2 $\frac{3}{4}$ "	AF90YBSSHS			2, 27
WCFO-120	AFG	0.85 X 80°B		100			F6	2 $\frac{3}{4}$ "	AF90YBSSHS			2, 27
WCFO-140	AF	1.00 X 80°A		100			F6	2 $\frac{3}{4}$ "	AF104YBHSSS			2, 27
WCFO-175	AF	1.25 X 80°A		100			F6	2 $\frac{3}{4}$ "	AF104YBHSSS			2, 27
WCFO-85	AFG	0.60 X 80°A		100			F3	3 $\frac{3}{8}$ "	AF65YHSSHS			2, 27
WHBO-10A	AFG	0.60 X 80°A		100			F3	3 $\frac{3}{8}$ "	AF65YHSSHS			2, 27
WHBO-10A	AFG	0.75 X 80°B		100			F3	3 $\frac{3}{8}$ "	AF65YHSSHS			2, 27
WHBO-10A	AFG	0.85 X 80°B		100			F3	3 $\frac{3}{8}$ "	AF65YHSSHS			2, 27
WHBO-12A	AFG	1.00 X 80°B		100			F6	2 $\frac{3}{4}$ "	AF90YBSSHS			2, 27
WHBO-12A	AFG	1.25 X 80°B		100			F6	2 $\frac{3}{4}$ "	AF90YBSSHS			2, 27
WLBO-10A	AFG	0.60 X 80°A		100			F3	3 $\frac{3}{8}$ "	AF65YHSSHS			2, 27
WLBO-10A	AFG	0.75 X 80°B		100			F3	3 $\frac{3}{8}$ "	AF65YHSSHS			2, 27
WLBO-10A	AFG	0.85 X 80°B		100			F3	3 $\frac{3}{8}$ "	AF65YHSSHS			2, 27
WLBO-12A	AFG	1.00 X 80°B		100			F6	2 $\frac{3}{4}$ "	AF90YBSSHS			2, 27
WLBO-12A	AFG	1.25 X 80°B		100			F6	2 $\frac{3}{4}$ "	AF90YBSSHS			2, 27
OWB-3-100	AFG	0.85 X 70°B* (H)		140			F4	3 $\frac{1}{2}$ "	AF44WB	3"		31
OWT-3-100	AFG	0.85 X 70°B* (H)		140			F4	3 $\frac{1}{2}$ "	AF44WB	3"		31
CHB/CLB-210	AFG	1.50 X 80°A		100			F12	2 $\frac{3}{4}$ "	AF104XOSS			27
CHB/CLB-245	AFG	1.75 X 70°A		100			F16	2 $\frac{3}{4}$ "	AF104WFSS		58020091	27
PMP/PLB084	AFG	0.50 X 60°A	0.50 X 60°H	150	S-6 / B-0	5880	L2	3 $\frac{3}{8}$ "	AFG70MQSS	1 $\frac{3}{4}$ "		27
PMP/PLB098	AFG	0.60 X 60°W	0.60 X 60°A	140	S-10 / B-0	5880	L2	3 $\frac{3}{8}$ "	AFG70MQSS	1 $\frac{3}{4}$ "		27
WCFO-210	AF	1.50 X 80°A		100			F12	2 $\frac{3}{4}$ "	AF104XOSS			27
WCFO-245	AF	1.75 X 70°A		100			F16	2 $\frac{3}{4}$ "	AF104WFSS		58020091	27
WHBO-210	AF	1.50 X 80°A		100			F12	2 $\frac{3}{4}$ "	AF104XOSS			27
WHBO-245	AF	1.75 X 70°A		100			F16	2 $\frac{3}{4}$ "	AF104WFSS			27
WLBO-210	AF	1.50 X 80°A		100			F12	2 $\frac{3}{4}$ "	AF104XOSS			27
WLBO-245	AF	1.75 X 70°A		100			F16	2 $\frac{3}{4}$ "	AF104WFSS			27
CCF-105	AFG	0.60 X 80°B		100			F6	2 $\frac{3}{4}$ "	AF90YBSSHS	7 $\frac{3}{4}$ "		2, 27
CCF-105	AFG	0.85 X 80°B		100			F6	2 $\frac{3}{4}$ "	AF90YBSSHS	7 $\frac{3}{4}$ "		2, 27
CHB/CLB/LB-105-S2,S1	AFG	0.75 X 80°B		100		5880	F3	3 $\frac{3}{8}$ "	AF65YHSSHS	5 $\frac{1}{2}$ "		2, 27
CHB/CLB/LB-105-S2,S1	AFG	0.65 X 80°B		100		5880	F3	3 $\frac{3}{8}$ "	AF65YHSSHS	5 $\frac{1}{2}$ "		2, 27
CHB/CLB-140	AFG	1.25 X 80°B		100			F6	2 $\frac{3}{4}$ "	AF90YBSSHS	7 $\frac{3}{4}$ "		2, 27
CHB/CLB-140-S2	AFG	1.00 X 70°A		100			F6	2 $\frac{3}{4}$ "	AF90YBSSHS	7 $\frac{3}{4}$ "	580523	2, 27
CHB/CLB-140-S2	AFG	1.25 X 70°A		100			F6	2 $\frac{3}{4}$ "	AF90YBSSHS	7 $\frac{3}{4}$ "	580523	2, 27
OSB-3-100	AFG	0.85 X 70°B* (H)		140			F4	3 $\frac{1}{2}$ "	AF44WB	3"		31
OSB-4-110	AFG	1.00 X 80°B		125			F4	2 $\frac{3}{4}$ "	AF44WH	3"		
OSB-4-125	AFG	1.25 X 80°B		100	S-7 / B-1		F4	2 $\frac{3}{4}$ "	AF44WH	3"		
OSB-5-135	AFG	1.35 X 80°B		100			F6	3 $\frac{3}{8}$ "	AF44YY	3"		
OSB-5-150	AFG	1.50 X 80°B		100			F6	3 $\frac{3}{8}$ "	AF44YY	3"		
OSB-5-165	AFG	1.50 X 80°B		125			F6	3 $\frac{3}{8}$ "	AF44YY	3"		
OSB-6-175	AFG	1.75 X 80°B		100			F12	2 $\frac{3}{4}$ "	AF44XO	3"		
OSB-6-200	AFG	1.75 X 80°B		125			F12	2 $\frac{3}{4}$ "	AF44XO	3"		
OWB-3-075	AFG	0.75 X 70°B		100			L1	3 $\frac{3}{8}$ "	AFG50MB	3"	580307	
OWB-4-110	AFG	1.00 X 80°B		125			F4	2 $\frac{3}{4}$ "	AF44WH	3"	580434	
OWB-4-125	AFG	1.25 X 80°B		100	S-7 / B-1		F4	2 $\frac{3}{4}$ "	AF44WH	3"	580434	
OWB-5-135	AFG	1.35 X 80°B		100			F6	3 $\frac{3}{8}$ "	AF44YY	3"	580546	
OWB-5-150	AFG	1.50 X 80°B		100			F6	3 $\frac{3}{8}$ "	AF44YY	3"	580456	
OWB-5-165	AFG	1.50 X 80°B		125			F6	3 $\frac{3}{8}$ "	AF44YY	3"	580456	
OWB-6-175	AFG	1.75 X 80°B		100			F12	2 $\frac{3}{4}$ "	AF55XO	3"	580380	
OWB-6-200	AFG	1.75 X 80°B		125			F12	2 $\frac{3}{4}$ "	AF44XO	3"	580380	

Williamson Co. Cont.

Model	Burner	Nozzle	Alt. Nozzle	Pump (PSIG)	Air Settings	Baffle	Head	Static Plate / Stop Screw	Air Tube Combination	Depth	Welded Insertion	See note
OWT-3-075	AFG	0.75 X 70°B		100			L1	3/8"	AFG50MB	3"	580307	
OWT-4-110	AFG	1.00 X 80°B		125			F4	2/4"	AF44WH	3"	580434	
OWT-4-125	AFG	1.25 X 80°B		100	S-7 / B-1		F4	2/4"	AF44WH	3"	580434	
OWT-5-135	AFG	1.35 X 80°B		100			F6	3/8"	AF44YY	3"	580456	
OWT-5-150	AFG	1.50 X 80°B		100			F6	3/8"	AF44YY	3"	580456	
OWT-5-165	AFG	1.50 X 80°B		125			F6	3/8"	AF44YY	3"	580456	
OWT-6-175	AFG	1.75 X 80°B		100			F12	2/4"	AF44XO	3"	580380	
OWT-6-200	AFG	1.75 X 80°B		125			F12	2/4"	AF44XO	3"	580380	
PLB-350	AFG	2.25 X 70°B		135			F22	NONE	AF53YF	2 7/8"		
PLB-350-S2	AFG	2.25 X 70°B	2.25 X 70°P	135	S-3 / B-4		F22	NONE	AF53YF	39485		
PLB-350-S2	AFG	2.00 X 70°B	2.00 X 70°B* (H)	135	S-10 / B-2		F22	NONE	AF53YF	2 7/8"		
PLB-350-S2	AFG	1.75 X 70°B	1.75 X 70°B* (H)	155	S-6 / B-2		F22	NONE	AF53YF	2 7/8"		
PLB-350-S2	AFG	1.50 X 80°B	1.50 X 80°B* (H)	125	S-5 / B-3		F22	NONE	AF53YF	2 7/8"		
PLP/PMP-112	AFG	0.65 X 60°B		150	S-10/B-90		L2	3/8"	AFG70MQSS	1 3/4"		
PLP/PMP-210-S2	AFG	1.25 X 70°W		145			F6	2/4"	AF53YB	2 7/8"		
PLP/PMP-210-S2	AFG	1.10 X 70°W		150			F6	2/4"	AF53YB	2 7/8"		
PLP/PMP-210-S2	AFG	1.00 X 70°W		145			F6	2/4"	AF53YB	2 7/8"		
R-164-10A	AF	0.60 X 80°A		100			F4	2/4"	AF72WH			
R-164-10A	AF	0.75 X 80°A		100			F4	2/4"	AF72WH			
R-164-10A	AF	0.85 X 80°A		100			F4	2/4"	AF72WH			
SCH/SCL 105	AFII 85	0.60 X 60°W		155	4.5		AF2-6	#3	HLX70HD	4-15/16"		
SCH/SCL 160	AFII 150	0.85 X 70°B		130	2.25		FB3		FBX90HGXS	6 5/8"		
T164,5,7-10	AF	0.75 X 80°A		100			F4	2/4"	AF72WH			
T164,5,7-12	AF	0.85 X 80°A		100			F4	2/4"	AF72WH			
T164,5,7-15	AF	1.00 X 70°A		100			F6	2/4"	AF72YB			
T164,5,7-18	AF	1.35 X 80°A		100			F12	2/4"	AF81XO			
T-164-10A	AF	0.60 X 80°A		100			F4	2/4"	AF72WH			
T-164-10A	AF	0.75 X 80°A		100			F4	2/4"	AF72WH			
T-164-10A	AF	0.85 X 80°A		100			F4	2/4"	AF72WH			
T-165-10A	AF	0.60 X 80°A	0.60 X 80°B	100			F4	2/4"	AF72WH			
T-165-10A	AF	0.75 X 80°A		100			F4	2/4"	AF72WH			
T-165-10A	AF	0.85 X 80°A		100			F4	2/4"	AF72WH			
T-167-10A	AF	0.60 X 80°A		100			F4	2/4"	AF72WH			
T-167-10A	AF	0.75 X 80°A		100			F4	2/4"	AF72WH			
T-167-10A	AF	0.85 X 80°A		100			F4	2/4"	AF72WH			
T-169-10A	AF	0.60 X 80°A		100			F4	2/4"	AF72WH			
T-169-10A	AF	0.75 X 80°A	0.75 X 80°B	100			F4	2/4"	AF72WH			
T-169-10A	AF	0.85 X 80°A	0.85 X 80°B	100			F4	2/4"	AF72WH			
T274,5,7-10	AF	0.75 X 80°A		100			F4	2/4"	AF72WH			
T274,5,7-12	AF	0.85 X 80°A		100			F4	2/4"	AF72WH			
T274,5,7-15	AF	1.00 X 70°A		100			F6	2/4"	AF72YB			
TCF-105	AF	0.60 X 80°A		100			F3	3/8"R	AF72BNHSSS	6 1/2"	580522	2, 27
TCF-105	AF	0.85 X 80°A		100			F3	3/8"R	AF72BNHSSS	6 1/2"	580522	2, 27
THZ-105	AF	0.85 X 80°A		100			F3	3/8"R	AF90BNHSSS	6 1/2"		2, 27
TLB-105	AF	0.75 X 80°A		100			F3	3/8"R	AF72BNHSSS	6 1/2"	580522	
TLB-105-S2	AF	0.85 X 80°A		100			F3	3/8"R	AF72BNHSSS	6 1/2"	580522	
TMP-105	AFG	0.60 X 70°B		155			F0	2/4"	AF72XZT	5 1/8"		
TMP-105-S2	AFG	0.60 X 70°B		155			F0	2/4"	AF72XZT	5 1/8"		
TMP-105-S2	AFG	0.50 X 70°A		155			F0	2/4"	AF72XZT	5 1/8"		
TMP-105-S2	AFG	0.50 X 70°A		100			F0	2/4"	AF72XZT	5 1/8"		
OSB-3	AFG	0.85 X 45°B	0.85 X 45°B(H)	140	8/0		L1	3-3/8"	AFG50MB	3"		

Nozzle Capacities

Nozzle Capacities / U.S. Gallons per hour No. 2 Fuel Oil Operating Pressure: Pounds per Square Inch								
Rate gph @ 100psi	125	140	150	175	200	250	275	300
0.40	0.45	0.47	0.49	0.53	0.56	0.63	0.66	0.69
0.50	0.56	0.59	0.61	0.66	0.71	0.79	0.83	0.87
0.60	0.67	0.71	0.74	0.79	0.85	0.95	1.00	1.01
0.65	0.73	0.77	0.80	0.86	0.92	1.03	1.08	1.13
0.75	0.84	0.89	0.92	0.99	1.06	1.19	1.24	1.30
0.85	0.95	1.01	1.04	1.13	1.20	1.34	1.41	1.47
0.90	1.01	1.07	1.10	1.19	1.27	1.42	1.49	1.56
1.00	1.12	1.18	1.23	1.32	1.41	1.58	1.66	1.73
1.10	1.23	1.30	1.35	1.46	1.56	1.74	1.82	1.91
1.20	1.34	1.42	1.47	1.59	1.70	1.90	1.99	2.08
1.25	1.39	1.48	1.53	1.65	1.77	1.98	2.07	2.17
1.35	1.51	1.60	1.65	1.79	1.91	2.14	2.24	2.34
1.50	1.68	1.77	1.84	1.98	2.12	2.37	2.49	2.60
1.65	1.84	1.95	2.02	2.18	2.33	2.61	2.73	2.86
1.75	1.96	2.07	2.14	2.32	2.48	2.77	2.90	3.03
2.00	2.24	2.37	2.45	2.65	2.83	3.16	3.32	3.46
2.25	2.52	2.66	2.76	2.98	3.18	3.56	3.73	3.90
2.50	2.80	2.96	3.06	3.31	3.54	3.95	4.15	4.33
2.75	3.07	3.25	3.37	3.64	3.90	4.35	4.56	4.76
3.00	3.35	3.55	3.67	3.97	4.24	4.74	4.97	5.20
3.25	3.63	3.85	3.98	4.30	4.60	5.14	5.39	5.63
3.50	3.91	4.14	4.29	4.63	4.95	5.53	5.80	6.06
3.75	4.19	4.44	4.59	4.96	5.30	5.93	6.22	6.50
4.00	4.47	4.73	4.90	5.29	5.66	6.32	6.63	6.93
4.50	5.04	5.32	5.51	5.95	6.36	7.11	7.46	7.79
5.00	5.59	5.92	6.12	6.61	7.07	7.91	8.29	8.66
5.50	6.15	6.51	6.74	7.27	7.78	8.70	9.12	9.53
6.00	6.71	7.10	7.35	7.94	8.49	9.49	9.95	10.39
6.50	7.26	7.69	7.96	8.60	9.19	10.28	10.78	11.26
7.00	7.82	8.28	8.57	9.25	9.90	11.07	11.61	12.12
7.50	8.38	8.87	9.19	9.91	10.61	11.86	12.44	12.99
8.00	8.94	9.47	9.80	10.58	11.31	12.65	13.27	13.86
8.50	9.50	10.06	10.41	11.27	12.02	13.44	14.10	14.72
9.00	10.06	10.65	11.02	11.91	12.73	14.23	14.93	15.59
9.50	10.60	11.24	11.64	12.60	13.44	15.02	15.75	16.45
10.00	11.18	11.83	12.25	13.23	14.14	15.81	16.58	17.32
10.50	11.74	12.42	12.86	13.89	14.85	16.60	17.41	18.19
11.00	12.30	13.02	13.47	14.55	15.56	17.39	18.24	19.05
12.00	13.42	14.20	14.70	15.88	16.97	18.97	19.90	20.79

Manufacturers / Spray Patterns

Danfoss	Delavan	Hago	Monarch	Steinen
AS - Solid	A - Hollow	ES - Solid	R - Solid	S - Solid
AH - Hollow	B - Solid	P - Solid	NS - Hollow	SS - Semi-Solid
AB - Semi-Solid	W - All Purpose	SS - Semi-Solid	AR - Special Solid	H - Hollow
	SS - Semi-Solid	H - Hollow	PLP - Semi-Solid	
		B - Solid	PL - Solid	

Helpful Conversion Factors For Heating Systems

Multiply	by	to obtain:
Atmosphere	14.7	pounds per square in. (psi)
Boiler Horsepower	34.5	pounds steam/hr @ 212F
Boiler Horsepower	33,475	BTU per hour

Helpful Conversion Factors For Heating Systems Cont.

Multiply	by	to obtain:
Cubic Feet (cu. Ft.)	7.481	gallons (gal.)
Degrees - Centigrade (°C)	(°Cx1.8)+32	Degrees - Fahrenheit (°F)
Degrees - Fahrenheit (°F)	(°F-32)x 5/9	Degrees - Centigrade (°C)
Gallon, #2 Oil	7.1	pounds (lbs.) approx.
Gallon, Water	8.337	pounds (lbs.)
Horsepower	0.3	GPH
Horsepower - U.S. & British	33,000	Foot pounds per minute
Horsepower - U.S. & British	42.42	BTU per minute
Inches Mercury (in. Hg)	13.6	inches water (in. w.c.)
Inches Mercury (in. Hg)	0.4912	pounds per square in. (psi)
Inches Water (in. w.c.)	0.0735	inches mercury (in. Hg)
Inches Water (in. w.c.)	0.0361	pounds per square in. (psi)
Kilocalorie (kcal)	0.0284	GPH
Kilocalorie (kcal)	3.968	BTU
Kilogram/hr (kgh)	0.3125	GPH
Kilowatt (kw)	0.0244	GPH
Kilowatt hours (kwh)	3.413	BTU
Kilowatt (kw)	1.341	horsepower - U.S. & British
Liter	0.2642	GPH
Pound-Steam @ 212F	970.3	BTU (Heat of evaporation)
Sq. Ft. Steam	240	BTU
Sq. Ft. Water	150	BTU
Watt Hour (whr)	3.413	BTU
Divide	by	to obtain:
BTU input	140,000	GPH #2 Oil
Gross Sq. Ft. Steam	360	GPH #2 Oil
Net BTUH (output)	112,000	GPH #2 Oil
Net MBH (output)	112	GPH #2 Oil
Net Sq. Ft. Steam	466	GPH #2 Oil
Sq. Ft. Heating Surface	27	GPH #2 Oil

Water Capacity Per Foot of Pipe

Pipe Size	1/2"	3/4"	1"	1-1/4"	1-1/2"	2"	2-1/2"	3"	3-1/2"	4"	5"	6"
Gallons Per Foot	0.016	0.023	0.04	0.063	0.102	0.17	0.275	0.39	0.53	0.69	1.1	1.5
Most Common Pipe Sizes	Sq. Ft. of surface (ext) per 1 foot pipe											
3" pipe	0.916											
3-1/2" pipe	1.047											
4" pipe	1.178											

How To Figure Domestic Water

1 gal. #2 oil per hr. +140,000 BTUH
 140,000 x 80% = 112,000 gross BTUH
 1 gal. water = 8.3 lb. to raise 1 lb. water 1°F = 1 BTU
 To raise 8.3 lb. water 100°F in 1 minute = 8.3 x 100°F = 830 BTU/min
 To raise 8.3 lb water 80°F in 1 minute = 8.3 x 80°F = 664
112,000 BTU Gross hr. = 1866.66 BTU Gross per minute
 60 min
1866.66 = 2.2489 gal. per min. 100°F rise.
 830
1866.66 = 2.2489 gal. per min. 80°F rise.
 664
 40°F inlet water + 100°F rise = 140°F
 40°F inlet water + 80°F rise = 120°F

How To Figure Domestic Water

Sq. Ft. Heating surface x 1.15 = Hp x .3 = Gph
10

Oil Pressure Vs. Nozzle Flow Rate Conversion

1. Divide new pressure by 100 psi (Standard nozzle pressure)
 Ex: 140 ÷ 100 = 1.4
2. Obtain square root. (Use calculator)
 Ex: 1.4 √ = 1.1832159
3. Multiply result by nozzle size at 100 psi.
 Ex: 1.1832159 x 1.00 = 1.18 gph
 This is your new gph glow rate @ 140 psi

Kit Part Number
52585-001

BECKETT CleanCut® SERVICE PART INSTALLATION INSTRUCTIONS

CleanCut
PF10322



CleanCut
PF10323



CleanCut XL
PF10422



General Information - All Systems

WARNING Professional Service Required

Incorrect installation, adjustment, or misuse of this product could result in severe personal injury, death, or substantial property damage from fire, carbon monoxide poisoning, soot or explosion.

The pump must be installed, adjusted and put into operation only by a qualified individual or service agency that is:

- Licensed or certified to install and provide technical service to oil heating systems.
- Experienced with all applicable codes, standards and ordinances.
- Responsible for the correct installation and commission of this equipment.
- Skilled in the adjustment of oil burners using combustion test instruments.

The installation must strictly comply with all applicable codes, authorities having jurisdiction and the latest revision of the National Fire Protection Association Standard for the installation of Oil-burning Equipment, NFPA 31 (or CSA-B139 and CSA-B140 in Canada).

— Regulation by these authorities may require requirements and instructions to those provided in this installation manual.

These instructions cover only the replacement of a failed pump or the upgrade of an existing pump.

For instructions on how to install a new appliance or burner see the applicable installation manuals.

WARNING Oil Leak & Fire Hazard

Not adhering to the following may result in the failure of the valve seals and cause the pump to leak oil.

- Never exceed 3 psig on the Pump Inlet or Return Ports. (see NFPA 31-25, 8.6.3).
- Use only Fuel Oil #1 or #2/B5 – Fuels (per ASTM D396 Definitions). Not compatible with more than 5% bio diesel.
- Never place any fuel line restriction that may increase the pressure at the Pump Return Port.
- If a vacuum safety valve is used on the inlet line it must be equipped with an accumulator and pressure relief to the tank. Dangerous thermal expansion of oil trapped by an inlet line check valve can create extreme pressures that damage fuel unit seals, line fittings, inlet filters, gauges and other components.
- Do not use Teflon tape or compression fittings.

DISASSEMBLY:

1. Disconnect the power to the burner and the oil supply system. Note the burner settings.
2. Make sure the coil voltage on the pump matches the replacement part.
3. Unplug the cord set from the coil.
4. Remove the existing pump and properly dispose (See Figure 1).
5. Remove all fuel lines: Supply line, output to the nozzle and return line if used.
6. Remove the mounting screws. Most are 3/8" hex head.
7. Inspect the plastic coupling shaft that drives the pump. (See Figure 2). Replace if the "D" shaped holes are rounded or the internal splines are worn.

Figure 1 - Loosen Screws / Fuel Line and Remove Plug

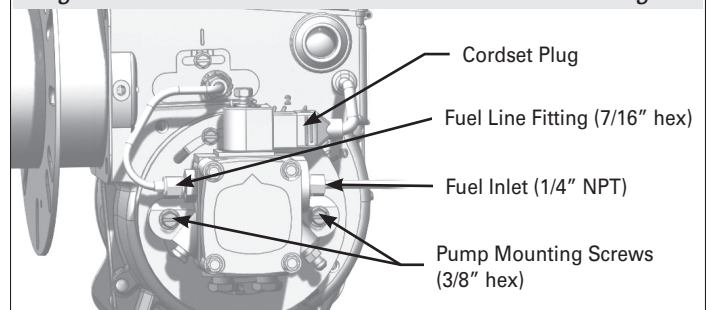
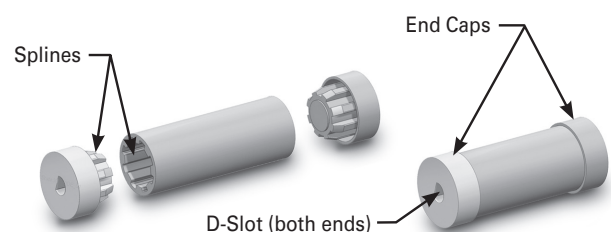


Figure 2 - Shaft Coupling



Note: The [X]s in the part numbers are placeholders for the complete pump model number.

Beckett CleanCut Pumps

Pump Kit Part No.	Coil Voltage	Description
PF10322 (A2EA-6527)	110/120VAC - 50/60 HZ	CleanCut
PF10323 (071N1121)	110/120VAC - 50/60 HZ	CleanCut
PF10332 (A2EA-6527)	220VAC - 50/60 HZ	CleanCut
PF10333 (071N1123)	220VAC - 50/60 HZ	CleanCut
PF10372 (A2EA-6527)	12VDC / 24VAC	CleanCut
PF10363 (07N1122)	12VDC	CleanCut
PF10353 (071N1125)	24VAC	CleanCut
PF10342 (A2EA-6527)	24VDC	CleanCut
PF10343 (071N1124)	24VDC	CleanCut
PF10422 (B2EA-6550)	120VAC 50/60HZ	2-Stage CleanCut

Note: The PF104[XX] CleanCut Pump with a double gear set is referred to as a "Two Stage" on the pump label. This pump is used to provide extra lift for long oil supply run lengths. This should not be confused with a "High Fire/Low Fire pump" which can be described as a "2-Stage".

Maximum Allowable Vacuum Inches hg

	PF103[XX]	PF104[XX]
Single Pipe System	6"	12"
Two Pipe System	12"	17"

Oil Supply Vacuum Test: To verify the operating vacuum is appropriate for the fuel pump.

- With no power and oil to the burner remove fittings to the pump.
- Install a vacuum gauge in an unused inlet port on the pump, or install a tee with a gauge in the inlet line and reconnect the oil supply line.
- Power the burner and check the gauge, letting the gauge stabilize.
- The table below shows the maximum allowable vacuum for the pump.

Note: Vacuum levels above the maximum limits can cause poor combustion performance.

Replacement Pump Parts

Beckett Part No.	Description / Where Used
SP150281U	Strainer & Gasket/O-Ring / All models except PF10422
SP250402U	Strainer & Gasket / PF10422 — 2-Stage Pump
VC22 — 37-13-824	Valve Coil 110/120VAC / PF10322
VC32 — 37-13-798	Valve Coil 220/240VAC / PF10332
VC72 — 37-13-823	Valve Coil 12 VDC/24VAC / PF10372
21887U	PD Timer Cord Set / All CleanCut Pumps
21807	Valve Cord Set / All CleanCut Pumps
VC23 — 071N0805	Valve Coil 110/120VAC / PF10323
VC33 — 071N0806	Valve Coil 220/240VAC / PF10333
VC63 — 071N0807	Valve Coil 12VDC / PF10363
VC43	Valve Coil 24VDC / PF10343
VC42 — 37-13-818	Valve Coil 24VDC / PF10342

Couplings

Beckett Part No.	Burner Models
2454	AF/AFG,NX,CF375
2801	AF/AFG,CF375 (With Outside Air Boot)
2433	SM/SF
2140501U	ADC
2154101U	SDC

CONFIGURE PUMP BEFORE INSTALLATION:

- 1-Pipe Operation: Remove the hex plug from the desired Inlet Port with either 5/8" hex or 1/4" Allen wrench and discard. Connect Inlet Piping to the 1/4" NPT fitting using appropriate pipe sealant. DO NOT USE TEFLON TAPE OR COMPRESSION FITTINGS.
- 2-Pipe Operation: The return port is only used for 2-pipe operation. For 2-pipe operation a by-pass plug will need to be installed.
 - a). CleanCut (Figure 3) — PF103[X]2, PF10422: Remove the return port 5/8" hex plug and discard. The port is located in the bottom of the pump. Install bypass plug set screw (1/16" – 27 NPT) with a 5/32" allen wrench in the return port and tighten. Connect return piping to the return port (1/4" NPT) using appropriate pipe sealant. Make sure no valves are placed in the return line. The return line can now be attached. DO NOT USE TEFLON TAPE or COMPRESSION FITTINGS.
 - b). CleanCut (Figure 4) — PF103[X]3: Remove the bypass plug access port (Item b) with a 5/32" allen wrench, located below the nozzle port. Do NOT discard. Install bypass plug, which has the slotted screw head and tighten. Reinstall the access port making sure the O-ring is retained at the base of the plug and tighten. Remove the return port (Item g) located at the bottom of the pump with a 1/4" Allen wrench and discard. Connect return piping to the return port (1/4" NPT) using appropriate pipe sealant. Make sure no valves are placed in the return line. The return line can now be attached. DO NOT USE TEFLON TAPE or COMPRESSION FITTINGS.

Figure 3 — PF103[X]2, PF10422

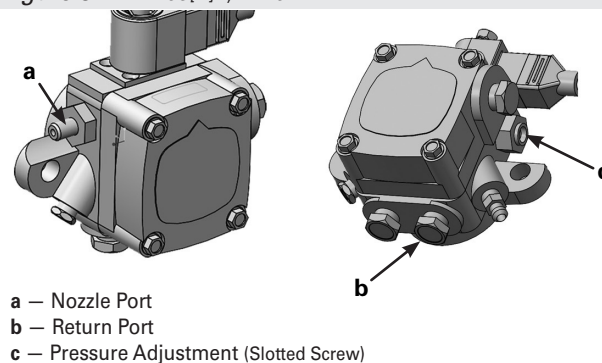
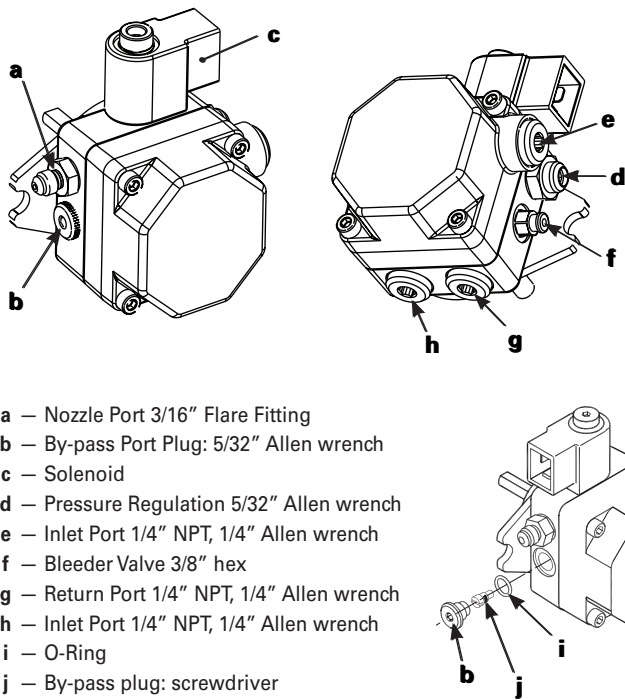


Figure 4 – PF103[X]3



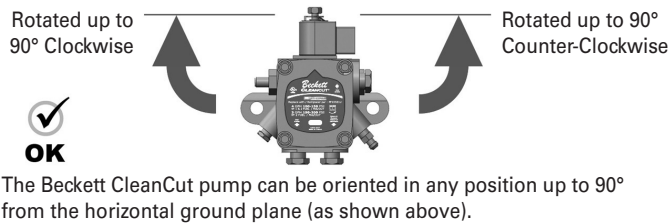
- a – Nozzle Port 3/16" Flare Fitting
- b – By-pass Port Plug: 5/32" Allen wrench
- c – Solenoid
- d – Pressure Regulation 5/32" Allen wrench
- e – Inlet Port 1/4" NPT, 1/4" Allen wrench
- f – Bleeder Valve 3/8" hex
- g – Return Port 1/4" NPT, 1/4" Allen wrench
- h – Inlet Port 1/4" NPT, 1/4" Allen wrench
- i – O-Ring
- j – By-pass plug: screwdriver

Reassembly:

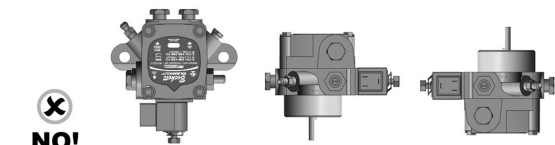
Fuel lines are assumed to be flare fittings or NPT pipe fittings. If in good condition, reconnect fuel lines using the existing fittings and pipes. Use pipe sealant on appropriate fittings.

1. Install the coupling to the motor shaft. Apply a light coat of grease to the pump end of the coupling.
2. Align with the mounting holes and mount the pump using the bolts removed from the burner. See Figure 5 for appropriate pump mounting orientation, in reference to the horizontal plane.
3. To install a CleanCut fuel unit on a housing that has two top shutter mounting holes, make sure the screw is installed in the hole on the left that is closest to the front of the burner (air tube side).
4. When upgrading to a CleanCut, on a housing that has only one air shutter locking screw, please see installation tips section and Figure 6 for guidance of removal of the lower tab, and use the bottom screw for locking the shutter.
5. Optional Cord Set Installation:
 - a). Route the new cord set through the in the housing where the previous cord was located.
 - b). Attach the violet and white wires of the cord set to the terminal location previously used on the control.
 - c). Re-attach the control to the 4x4 junction box taking care not to pinch the wires in the 4x4.
 - d). Close the ignitor taking care not to pinch any wires.
 - e). Connect the new cordset to the pump.

Figure 5 - Approved Pump Orientation



The Beckett CleanCut pump can be oriented in any position up to 90° from the horizontal ground plane (as shown above).



It must not be oriented upside down, or with the shaft pointing up or down.

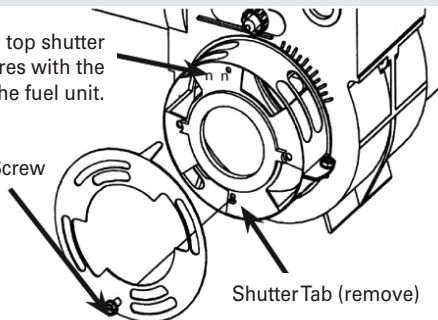
INSTALLATION TIPS

1. If upgrading to a CleanCut pump and the shutter screw interferes with the solenoid on the fuel unit, see Figure 6 and follow these steps:
 - a). Remove existing fuel unit and solenoid valves, if applicable, and appropriately dispose of them.
 - b). Note the air setting of the shutter, then remove the air shutter, set the shutter aside to be reinstalled later.
 - c). Remove the shutter tab by using a pair of side cutter pliers and file sharp edges flush with burner surface. This will permit the shutter to be locked securely.
 - d). Install the air shutter using the screw located below the pump. Adjust the shutter to the original air setting and tighten screw securely. Check combustion performance with test instruments. See appliance manual or burner manual for guidance.
2. On older burners, do not install the top shutter screw, it will interfere with the solenoid on the fuel unit.
3. To install a CleanCut fuel unit on a housing that has two top shutter mounting screw holes, make sure the screw is installed in the hole on the left that is closest to the front of the burner (air tube side).
4. Other Mounting Installations: The CleanCut Pump with a standard cord set or a PD Timer can be installed on the Carlin EZ-1, Wayne 'M', Wayne 'E', Wayne 'HS', Ducane 'DM', Aero, and other 3450 rpm burners.
5. Ducane 'DR': 5/16" diameter hole will have to be drilled into the housing through the wire cavity.
6. Weil-McLain 'QB': The valve coil blocks the air shutter screw. Allow enough slack in the cordset in order to pivot the valve coil away from the housing.

Figure 6

Do not install the top shutter screw if it interferes with the solenoid on the fuel unit.

Lower Shutter Screw



BLEEDING THE PUMP

1. Open all fuel valves and check for line leaks. Tighten fittings and/or re-flare as needed to stop leaks. DO NOT use compression fittings.
2. One-pipe system requires a manual bleeding process. Two-pipe systems “bleed” automatically – but the bleeding process can be accelerated with a manual process.
3. Note: All fuel lines must be air tight with no leaks or burner performance will be impacted. With poor combustion, rumbles and pulsations may occur.
4. For accelerated bleeding oil systems:
 - a). Place a hose on the bleed port, and position a catch-can underneath.
 - b). Open the 3/8” hex head on the port and turn counter clock-wise (CCW) 1/2 to 1 full turn, and allow the oil to flow in the catch-can.
 - c). Apply power to the burner. The oil will begin flowing into the catch-can.
 - d). Allow the oil to flow for 15 seconds in the can until there is no foam or air bubbles are present. If signs of air remain, make sure all air is purged from the oil filter cartridge.
 - e). Tighten the 3/8” hex bleed port clock-wise (CW). Re-check the system for leaks.

ADJUSTING THE PUMP PRESSURE

1. Install a pressure gauge, dead heading the nozzle port on the port.
2. Set the pump pressure to the required settings, which are located in the appliance manufactures instructions. If unavailable, consult the Beckett Spec Guide at www.beckettcorp.com. The new pump is factory set at 100 psi, unless noted otherwise.
3. Turn the adjustment screw CW with a slotted screw driver or 5/32” allen wrench to increase the pump pressure. See Figure 3 (Item c) and Figure 4 (Item e).
4. Cycle the burner and confirm the following:
 - a). The pump output pressure is maintained at a level where it was set to in step 1 above, when the pump’s coil is energized.
 - b). The pump pressure decreases when the burner control removes power from the pump’s valve coil. With the nozzle port dead-headed, the pressure will only drop to approximately 20% of the operating pressure.
 - c). Remove power from the burner.
 - d). Remove the Pressure Gauge. Connect the copper line to the nozzle port of the pump and tighten with a 7/16” hex wrench.
5. Turn power on to the burner and check all fuel line and fittings for leaks.
6. Check burner combustion performance with proper test equipment. See burner operating manual for testing guidelines.

ENHANCE PERFORMANCE



The applications listed in this book were developed using Beckett branded parts. To ensure consistent combustion results and long component life, ask your distributor for these quality replacement items.

- Beckett PSC Motor
- CleanCut Pump
- Beckett Igniter
- GeniSys Primary Control

To learn more about the R.W. Beckett Corporation, visit our website beckettcorp.com

R.W. Beckett Corporation P.O. Box 1289, Elyria, Ohio 44036-1289 · 1-800-645-2876

R.W. Beckett Canada, Ltd. 430 Laird Road, Unit 3, Guelph, Ontario N1G 3X7 · 1-800-665-6972



Part No. 6711 R4/20, Printed in the USA

© 2020 R.W. Beckett Corporation. All rights reserved.

This document and all information contained herein are the sole property of the R.W. Beckett Corporation and cannot be reproduced or transmitted in whole or part without express written permission of the R.W. Beckett Corporation.

To help your hydronic customers realize up to 20% energy savings on their heating bills and reduce burner cycling, suggest a Beckett AquaSmart when replacing a Boiler Temperature Control.

The Beckett AquaSmart[®] is an advanced Boiler Temperature Control designed for use on residential and light commercial boiler systems. The AquaSmart[®] comes equipped with the Department of Energy (DOE) 2012 compliant HeatManager™.

All models include the option of enabling the Beckett HeatManager™ load-matching energy saving calculations. When selected, it provides up to 20% fuel consumption savings.

Beckett[®]