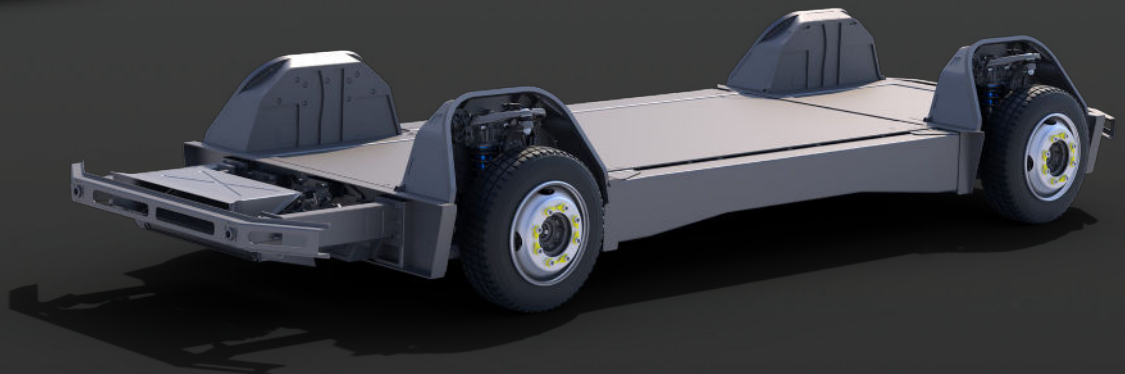


# R3E

# P7 Electric Vehicle Platform



## EV DESIGN FREEDOM

POWERED BY **R3E**

# ABOUT REE

REE Automotive (NASDAQ: REE) is an automotive technology leader and provider of ultra-modular electric vehicle platforms and EVs.

Our mission is to empower companies to build electric or autonomous vehicles from class 1 to 6. Through our strategic partnerships with leading automotive companies we deliver full turnkey EVs.



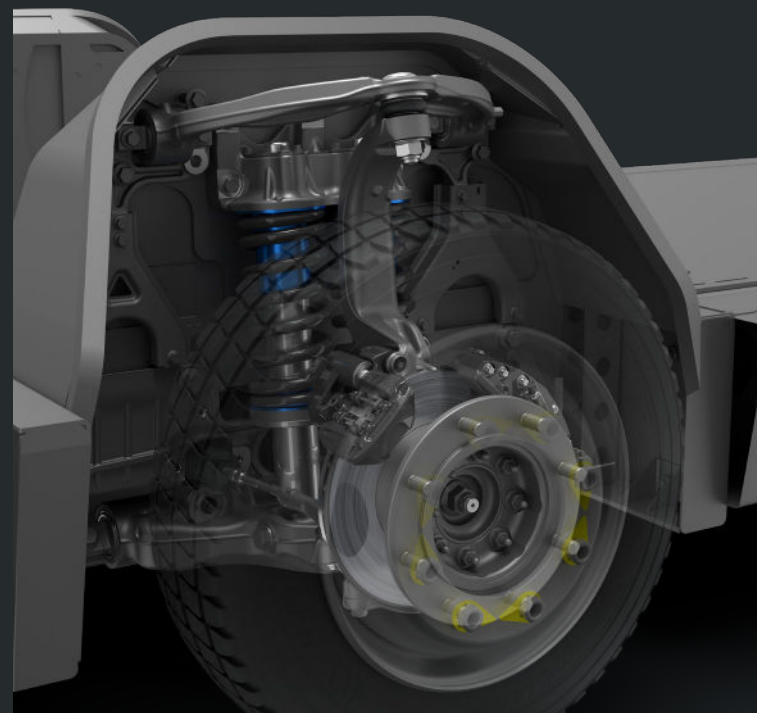
“ REE’s mission is to empower companies to build any size or shape of electric or autonomous vehicle, from vehicle class 1 to 6 ”

## THE P7 EV PLATFORM

REE’s P7 EV platform is built on top of four REEcorners™ featuring REE’s disruptive x-by-wire technology.

REEcorners™ pack critical vehicle components into the area between the chassis and the wheel, thus enabling a fully-flat chassis end-to-end with up to 35% more interior volume for passengers, cargo and batteries as compared to traditional ICE vehicles.

P7 EV platforms and EVs ‘Powered by REE’ can use either fuel cells or batteries such as partner Microvast’s lithium-ion battery packs which deliver high energy density and fast charging capabilities.

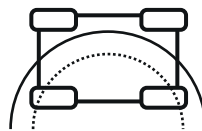


## P7 EV PLATFORM HIGHLIGHTS



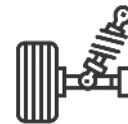
### LOWEST TCO

Fast REEcorner™ swaps, over-the-air software updates and preventative maintenance AI



### TURNING RADIUS

Minimum turning radius for an enhanced user experience



### FULL X-BY-WIRE

Driving, steering and braking technology that delivers unparalleled safety and control



### LOW CHASSIS

Low floor height & REEcorner™ tech for lowest center of gravity & step-in-height



### DRIVER ERGONOMICS

Step reduction and wide view for optimal driver experience

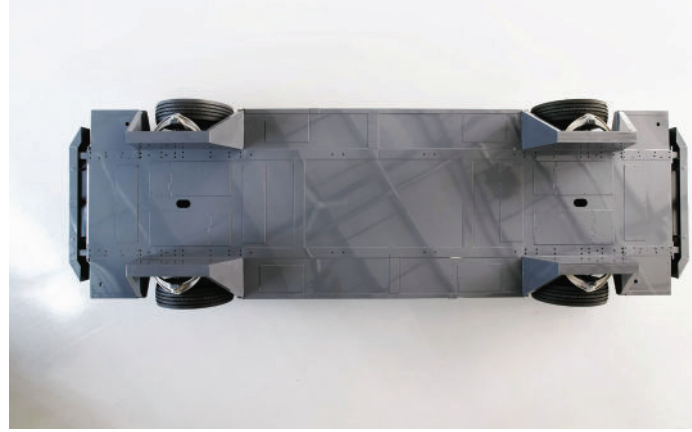


### INTERIOR SPACE

Greatest interior space on smallest footprint

## UNLIMITED DESIGN FREEDOM

Our ultra-modular EV platforms empower companies such as auto manufacturers, delivery and logistic operators, technology companies and mobility-as-a-service providers to rapidly and cost-effectively make the transition to electric while offering them complete design freedom.



## P7 EV PLATFORM APPLICATIONS



### REEcorners™ & EV Platforms

Companies such as auto manufacturers can build any cabin design on top of the REE platform, benefitting from maximum dimensional flexibility and fast time-to-market.

### Full Electric Vehicles

REE's Box Truck leverages REEcorner™ technology and the P7 EV platform. The class-3 EV is purpose-built to meet the needs of global delivery and e-commerce companies seeking last and mid-mile commercial EVs.

REE also collaborates with its global network of leading automotive partners to deliver best-in class complete EVs. Proxima 'Powered by REE', for instance, is a class-5 EV that features EAVX & Morgan Olson's body design on top of REE's P7 platform.



# P7 EV PLATFORM SPECIFICATIONS

## Parameter

## P7 EV Platform

### Overview

GVWR	10,000 lbs – 19,500 lbs / 4.5 to 8.9 Tonnes
Vehicle Class	Class 3-5
Platform Length	21.6 ft to 28.4 ft / 6.6 m to 8.7 m
Platform Width	5.9 ft to 7.9 ft / 1.8 m to 2.4 m
Vehicle Height	6.6 ft to 11.5 ft / 2.0 m to 3.5 m

### Steering

Steer	FWS or AWS
Turning Radius	Minimum 19.7 ft / 6.0 m
Wheel Size	19.5 in.

### Drive System

Peak Motor Power	100 kW x 4 (540 HP)
Peak Torque	136 Nm x 4
Maximum Speed	75 mph / 120 kph

### Battery

Battery Capacity	126 kWh (168 kWh optional)
Battery Chemistry	NMC 53 Ah HpCo cells
DC Charge	Compatible with SAE J1772 - DC Fast Charging
Driving Range	200 miles / 322 km
Voltage	400V

### Features

Driver Position	Forward Cab / Rearward Cab
Payload	Up to 8,000 lbs / 3,630 kg
Load Floor Height	24 inch / 60.9 cm
Cargo Volume	Up to 1,270 ft <sup>3</sup> / 36 m <sup>3</sup>

## GLOBAL PRESENCE

United States  
United Kingdom  
Israel

**Inquiries**  
General: [info@ree.auto](mailto:info@ree.auto)  
Media: [media@ree.auto](mailto:media@ree.auto)  
Investor Relations: [investors@ree.auto](mailto:investors@ree.auto)