

# Omron TM Collaborative Robot S Series: TM5S and TM7S Hardware Installation Manual



This Manual contains information of the Techman Robot product series (hereinafter referred to as the TM Robot). The information contained herein is the property of Techman Robot Inc. (hereinafter referred to as the Corporation). No part of this publication may be reproduced or copied in any way, shape or form without prior authorization from the Corporation. No information contained herein shall be considered an offer or commitment. It may be subject to change without notice. This Manual will be reviewed periodically. The Corporation will not be liable for any error or omission.

**TM** logo is registered trademark of TECHMAN ROBOT INC. in Taiwan and other countries and the company reserves the ownership of this manual and its copy and its copyrights.

# Terms and Conditions Agreement

## Warranty Limitations of Liability

### Warranties

---

- Exclusive Warranty

Omron's exclusive warranty is that the Products will be free from defects in materials and workmanship for a period of twelve months from the date of sale by Omron (or such other period expressed in writing by Omron). Omron disclaims all other warranties, express or implied.

- Limitations

OMRON MAKES NO WARRANTY OR REPRESENTATION, EXPRESS OR IMPLIED, ABOUT NON-INFRINGEMENT, MERCHANTABILITY OR FITNESS FOR A PARTICULAR PURPOSE OF THE PRODUCTS. BUYER ACKNOWLEDGES THAT IT ALONE HAS DETERMINED THAT THE PRODUCTS WILL SUITABLY MEET THE REQUIREMENTS OF THEIR INTENDED USE. Omron further disclaims all warranties and responsibility of any type for claims or expenses based on infringement by the Products or otherwise of any intellectual property right.

- Buyer Remedy

Omron's sole obligation hereunder shall be, at Omron's election, to (i) replace (in the form originally shipped with Buyer responsible for labor charges for removal or replacement thereof) the non-complying Product, (ii) repair the non-complying Product, or (iii) repay or credit Buyer an amount equal to the purchase price of the non-complying Product; provided that in no event shall Omron be responsible for warranty, repair, indemnity or any other claims or expenses regarding the Products unless Omron's analysis confirms that the Products were properly handled, stored, installed and maintained and not subject to contamination, abuse, misuse or inappropriate modification. Return of any Products by Buyer must be approved in writing by Omron before shipment. Omron Companies shall not be liable for the suitability or unsuitability or the results from the use of Products in combination with any electrical or electronic components, circuits, system assemblies or any other materials or substances or environments. Any advice, recommendations or information given orally or in writing, are not to be construed as an amendment or addition to the above warranty.

See <http://www.omron.com/global/> or contact your Omron representative for published information.

### Limitations of Liability: Etc.

OMRON COMPANIES SHALL NOT BE LIABLE FOR SPECIAL, INDIRECT, INCIDENTAL, OR CONSEQUENTIAL DAMAGES, LOSS OF PROFITS OR PRODUCTION OR COMMERCIAL LOSS IN ANY WAY CONNECTED WITH THE PRODUCTS, WHETHER SUCH CLAIM IS BASED IN CONTRACT, WARRANTY, NEGLIGENCE OR STRICT LIABILITY.

Further, in no event shall liability of Omron Companies exceed the individual price of the Product on which liability is asserted.

## Application Considerations

### Suitability of Use \_\_\_\_\_ Omron

Companies shall not be responsible for conformity with any standards, codes or regulations which apply to the combination of the Product in the Buyer's application or use of the Product. At Buyer's request, Omron will provide applicable third party certification documents identifying ratings and limitations of use which apply to the Product. This information by itself is not sufficient for a complete determination of the suitability of the Product in combination with the end product, machine, system, or other application or use. Buyer shall be solely responsible for determining appropriateness of the particular Product with respect to Buyer's application, product or system. Buyer shall take application responsibility in all cases.

NEVER USE THE PRODUCT FOR AN APPLICATION INVOLVING SERIOUS RISK TO LIFE OR PROPERTY WITHOUT ENSURING THAT THE SYSTEM AS A WHOLE HAS BEEN DESIGNED TO ADDRESS THE RISKS, AND THAT THE OMRON PRODUCT(S) IS PROPERLY RATED AND INSTALLED FOR THE INTENDED USE WITHIN THE OVERALL EQUIPMENT OR SYSTEM.

### Programmable Products \_\_\_\_\_

Omron Companies shall not be responsible for the user's programming of a programmable Product, or any consequence thereof.

## Disclaimers

### Performance Data \_\_\_\_\_

Data presented in Omron Company websites, catalogs and other materials is provided as a guide for the user in determining suitability and does not constitute a warranty. It may represent the result of Omron's test conditions and the user must correlate it to actual

application requirements. Actual performance is subject to the Omron's Warranty and Limitations of Liability.

- Change in Specifications

Product specifications and accessories may be changed at any time based on improvements and other reasons. It is our practice to change part numbers when published ratings or features are changed, or when significant construction changes are made. However, some specifications of the Product may be changed without any notice. When in doubt, special part numbers may be assigned to fix or establish key specifications for your application. Please consult with your Omron representative at any time to confirm actual specifications of purchased Product.

#### Errors and Omissions

---

Information presented by Omron Companies has been checked and is believed to be accurate; however, no responsibility is assumed for clerical, typographical or proofreading errors or omissions.

Revision History Table.....	10
1. Product Description.....	11
1.1 Product Description.....	11
1.2 How Can I Get Help?.....	11
1.3 Disposal and Environment.....	11
2. Safety Information.....	11
2.1 Overview.....	11
2.2 Warning and Caution Symbols.....	12
2.3 Limitations on Liability.....	12
2.4 Statement of Responsibilities for Cybersecurity Threats.....	12
2.5 Safety Precautions.....	13
2.6 Validation and Liability.....	14
2.7 General Safety Warning.....	14
2.8 Risk Assessment.....	15
2.9 Emergency Stop.....	15
2.10 Joint Movement without Drive Power.....	15
2.11 Labels.....	16
3. Transportation and Storage.....	18
4. System Hardware.....	19
4.1 Overview.....	19
4.2 System Overview.....	19
4.2.1 Robot Arm.....	20
4.2.1.1 Dimension Drawings of Robot.....	20
4.2.1.2 Robot Assembly Diagram.....	23
4.2.1.3 Range of Motion.....	24
4.2.1.4 Payload and Torque.....	28
4.2.1.5 Robot Arm Installation.....	30
4.2.2 Robot End Module.....	31
4.2.2.1 End Module Components.....	31
4.2.2.2 Flange Surface of the Robot End.....	34
4.2.2.3 End Mounting Caution.....	35
4.2.2.4 End Indication Light Ring Table.....	35
4.2.3 Control Box.....	36
4.2.3.1 Robot Stick.....	37
4.2.3.2 TM Screen (Optional).....	40
4.2.4 Robot Light Module.....	42

4.2.4.1 Light Module Surface	42
4.2.4.2 Install Light Module	42
4.3 Operating Position of TM Robot with AGV/AIV .....	44
4.4 Working distance and field of view of TM Robot's EIH camera .....	45
5. Electrical Interface .....	46
5.1 Overview .....	46
5.2 Electrical Warnings and Cautions .....	46
5.3 Control Box .....	46
5.3.1 Safety Connector	47
5.3.1.1 Safety Input Connector	47
5.3.1.2 Safety Output Connector	49
5.3.2 Power Connector	50
5.3.3 Digital In/Out	51
5.3.3.1 Digital Input	51
5.3.3.2 Digital Output	53
5.3.4 Analog In/Out	54
5.3.5 System Remote Power ON/OFF	55
5.3.6 AUTO MODE Play Confirm Port	55
5.3.7 EtherCAT: For EtherCAT Slave I/O Expansion	56
5.3.8 USB Port	56
5.3.9 COM Port	57
5.4 Tool End I/O Interface .....	58
5.4.1 I/O Terminals	58
5.4.2 Connecting Tool End Digital Output	59
5.4.3 Connecting Tool End Digital Input	60
5.4.4 Connecting Tool End Analog Input	60
5.5 Control Box Interfaces .....	61
5.6 Control Box Power Interface and Robot Interface .....	64
5.6.1 Control Box Power Interface	64
5.6.2 Robot Interface	65
5.6.3 SEMI Emergency Off Interfaces (SEMI series exclusive)	66
5.6.3.1 TM5S-M SEMI / TM7S-M SEMI Series	66
6. Unboxing & Installation .....	67
6.1 Overview .....	67
6.2 Inspecting the Equipment .....	67
6.2.1 Before Unpacking	67
6.2.2 Upon Unpacking	67

6.3 Unboxing .....	68
6.3.1 Carton Types .....	68
6.3.2 Contents of Each Carton .....	69
6.4 Installing Your Robot .....	72
6.4.1 Remove the Control Box .....	72
6.4.2 Verification Before Removal of the Robot Arm .....	73
6.4.3 Removal of the Robot Arm and Tightening .....	73
6.4.4 Connect the Robot and the Control Box .....	75
6.4.5 Mounting Direction .....	75
7. Maintenance and Repair .....	77
Appendix A. Technical Specifications .....	80

## Tables

Table 1: Manual Title & Description .....	11
Table 2: Danger, Warning, and Caution Symbols .....	12
Table 3: Denotation of Labels .....	17
Table 4: Rated Torque and Limit for Repeated Peak Torque of TM5S and TM7S Robot Series .....	30
Table 5: Robot Stick Basic Functions .....	39
Table 6: Robot Stick Advanced Functions .....	39
Table 7: Reference of the Symbol and Unit in Calculation the Torque Load of the Light Module .....	42
Table 8: Electrical Specification of the Light Module .....	43
Table 9: The Relation between the Working Distance and the Field of View .....	45
Table 10: Analog In & Analog Out .....	55
Table 11: 8-pin Digital I/O Connectors of Cable .....	58
Table 12: 8-pin Digital I/O Connector of Robot .....	59
Table 13: Analog Input Range .....	60
Table 14: TM5S / TM7S / TM5S-X / TM7S-X Electrical Specifications .....	64
Table 15: TM5S-M / TM7S-M Series Electrical Specifications .....	65
Table 16: The Robot Arm Carton Contents .....	69
Table 17: The Control Box Carton Contents .....	71
Table 18: The SEMI Emergency OFF Switch Carton Contents .....	72
Table 19: Summary of the Preventive Maintenance Procedures and Guidelines .....	77
Table 20: Technical Specifications .....	80

## Figures

Figure 1: Pin position for brake releasing .....	16
Figure 2: Locations of Labels .....	17



Figure 3: System Overview.....	19
Figure 4: Dimension of TM5S / TM5S-M.....	20
Figure 5: Dimension of TM7S / TM7S-M.....	21
Figure 6: Dimension of TM5S-X.....	22
Figure 7: Dimension of TM7S-X.....	23
Figure 8: Side View of TM5S / TM5S-M / TM5S-X Movement Range Diagram.....	25
Figure 9: Pictorial view of TM5S / TM5S-M / TM5S-X Movement Range Diagram.....	26
Figure 10: Top View of TM5S / TM5S-M / TM5S-X Movement Range.....	26
Figure 11: Side View of TM7S / TM7S-M / TM7S-X Movement Range Diagram.....	27
Figure 12: Pictorial View of TM7S / TM7S-M / TM7S-X Movement Range.....	27
Figure 13: Top View of TM7S / TM7S-M / TM7S-X Movement Range.....	28
Figure 14: Relationship between Payload and the Center of Gravity Offset in TM5S / TM5S-M / TM5S-X ....	29
Figure 15: Relationship between Payload and the Center of Gravity Offset in TM7S / TM7S-M / TM7S-X ....	29
Figure 16: Bottom View of Robot Base (TM5S / TM7S series).....	31
Figure 17: Grounding position for the robot.....	31
Figure 18: References of TM5S / TM5S-M / TM7S / TM7S-M End Module Components .....	32
Figure 19: References of TM5S-X / TM7S-X End Module Components.....	33
Figure 20: References of the Flange Surface of the Robot End .....	34
Figure 21: The Exterior and Diagram of the Control Box .....	36
Figure 22: Grounding position for the control box .....	36
Figure 23: Robot Stick (front) .....	37
Figure 24: Robot Stick (back).....	37
Figure 25: Operation of the Enabling Switch .....	38
Figure 26: TM Teach Pendant (consisting of the TM Screen and Robot Stick).....	40
Figure 27: Light Module Surface .....	42
Figure 28: Calculation the Torque Load of the Light Module.....	43
Figure 29: Electrical Polarity of Fill Light Cable .....	44
Figure 30: Top View of TM Robot Placed on the AGV/AIV.....	44
Figure 31: Working Distance and Field of View of TM Robot's EIH camera .....	45
Figure 32: Control Box I/O Configuration .....	46
Figure 33: Safety Input Connector.....	47
Figure 34: The Wiring Diagram Example of Switch Type Safety Device.....	48
Figure 35: The Wiring Diagram Example of PNP Output Type Safety Device .....	48
Figure 36: The Wiring Diagram Example of PNP Output Type Safety Device .....	49
Figure 37: Safety Output Connector.....	49
Figure 38: Safety Output Connector Wiring Diagram .....	50
Figure 39: Power Connector.....	51

Figure 40: Digital Input.....	51
Figure 41: Set to Sink Input Type .....	52
Figure 42: Set to Source Input Type .....	52
Figure 43: Digital Output.....	53
Figure 44: Set to Sink Output Type .....	53
Figure 45: Set to Source Output Type .....	54
Figure 46: Analog In.....	54
Figure 47: Analog Out.....	55
Figure 48: System Remote Power ON/OFF .....	55
Figure 49: AUTO MODE Play Confirm Port.....	56
Figure 50: EtherCAT .....	56
Figure 51: Connecting Tool End Digital Output .....	59
Figure 52: Connecting Tool End Digital Input .....	60
Figure 53: Connecting Tool End Analog Input .....	60
Figure 54: Front View of the Control Box (AC).....	61
Figure 55: Front View of the Control Box (DC).....	61
Figure 56: Side View of the Control Box (DC).....	61
Figure 57: Front View of the Control Box (DC SEMI).....	62
Figure 58: Side View of the Control Box (DC SEMI).....	62
Figure 59: Interfaces of the TM5S / TM5S-X / TM7S / TM7S-X Series.....	63
Figure 60: Interfaces of the TM5S-M / TM5S-MX / TM5S-M SEMI / TM7S-M / TM7S-M SEMI Series .....	63
Figure 61: Control Box Power Interfaces.....	64
Figure 62: Robot Interface .....	65
Figure 63: The TM5S-M SEMI / TM7S-M SEMI Emergency Off Interface .....	66
Figure 64: Robot Arm Carton.....	68
Figure 65: Control Box Carton (AC) .....	68
Figure 66: Control Box Carton (DC and DC SEMI) .....	69
Figure 67: Moving the Control Box (1/2).....	73
Figure 68: Moving the Control Box (2/2).....	73
Figure 69: Moving the Robot Arm (1/2) .....	74
Figure 70: Moving the Robot Arm (2/2) .....	74
Figure 71: Connecting the Robot and the Control Box.....	75
Figure 72: Air Filter Tray (the circled parts) .....	79

## Revision History Table

Revision	Date	Revised Content
A	June, 2023	Original release

# 1. Product Description

## 1.1 Product Description

The TM Robot is a six-axis robot with power and force limiting function featuring simple programming, innovative integrated vision capabilities together with the latest safety functionality to run at full speed with barriers and operate in collaborative workspace.

## 1.2 How Can I Get Help?

You can access information sources on the corporate website:

<http://www.ia.omron.com/>

### Related Manuals

This manual covers the hardware installation, operation and user maintenance of TM Robot. See the following table for additional available manuals.

Manual Title	Description
Safety Manual	Contains safety information for TM Robots.
TMflow	Instructions for use of TMflow software.
TMvision	Instructions for use of TMvision software.

Table 1: Manual Title & Description

## 1.3 Disposal and Environment

TM Robots must be disposed of in accordance with the applicable legislation, regulations, and codes by the authorities.

TM Robots are produced with restricted used of hazardous substances to protect the environment; as defined by the Europe RoHS directive 2011/65/EU. These substances include mercury, cadmium, lead, chromium VI, polybrominated biphenyls, and polyborminated diphenyl ethers.

The following symbols are affixed on the respective manuals to indicate conformity with the above legislation.



# 2. Safety Information

## 2.1 Overview

Users should read, understand and abide by the safety information provided in this manual before using the TM Robot.

## 2.2 Warning and Caution Symbols

The table below shows the definitions of the warning and caution levels used in this manual. Pay close attention to them when reading the manual, and observe them to avoid personal injuries or equipment damage.

**DANGER:**

Identifies an imminently hazardous situation which, if not avoided, is likely to result in serious injury, and might result in death or severe property damage.

**WARNING:**

Identifies a potentially hazardous situation which, if not avoided, will result in minor or moderate injury, and might result in serious injury, death, or significant property damage.

**CAUTION:**

Identifies a potentially hazardous situation which, if not avoided, might result in minor injury, moderate injury, or property damage.

Table 2: Danger, Warning, and Caution Symbols

## 2.3 Limitations on Liability

Even if the safety instructions are followed, any safety information in the manual shall not be considered as a guarantee that the product will not cause any personal injury or property damage

## 2.4 Statement of Responsibilities for Cybersecurity Threats

To maintain the security and reliability of the system, a robust cybersecurity defense program should be implemented, which may include some or all of the following:

### Anti-virus protection

- Install the latest commercial-quality anti-virus software on the computer connected to the control system and keep the software and virus definitions up-to-date.
- Scan USB drives or other external storage devices before connecting them to control systems and equipment.

### Security measures to prevent unauthorized network access

- Install physical controls so that only authorized personnel can access control systems and equipment.
- Reduce connections to control systems and equipment via networks to prevent access from untrusted devices.
- Install firewalls to block unused communications ports and limit communication between systems. Limit access between control systems and systems from the IT network.
- Control remote access and adopt multifactor authentication to devices with remote access to control systems and equipment.
- Set strong password policies and monitor for compliance frequently.

### Data input and output protection

- Backup data and keep the data up-to-date periodically to prepare for data loss.

- Validate backups and retention policies to cope with unintentional modification of input/output data to control systems and equipment.
- Validate the scope of data protection regularly to accommodate changes.
- Check validity of backups by scheduling test restores to ensure successful recovery from incidents.
- Safety design, such as emergency shutdown and fail-soft operations in case of data tampering and incidents.

#### Additional recommendations

- When using an external network environment to connect to an unauthorized terminal such as a SCADA, HMI or to an unauthorized server may result in network security issues such as spoofing and tampering.
- You must take sufficient measures such as restricting access to the terminal, using a terminal equipped with a secure function, and locking the installation area by yourself.
- When constructing network infrastructure, communication failure may occur due to cable disconnection or the influence of unauthorized network equipment.
- Take adequate measures, such as restricting physical access to network devices, by means such as locking the installation area.
- When using devices equipped with an SD Memory Card, there is a security risk that a third party may acquire, alter, or replace the files and data in the removable media by removing or unmounting the media.

## 2.5 Safety Precautions



### DANGER:

This product can cause serious injury or death, or damage to itself and other equipment, if the following safety precautions are not observed.


- All personnel who install, operate, teach, program, or maintain the system must read the *Hardware installation Manual*, *Software Manual*, and *Safety Manual* according to the software and hardware version of this product, and complete a training course for their responsibilities in regard to the robot.



Read Manual and Impact Warning Labels

- All personnel who design the robot system must read the *Hardware installation Manual*, *Software Manual*, and *Safety Manual* according to the software and hardware version of this product, and must comply with all local and national safety regulations for the location in which the robot is installed.
- The TM Robot must be used according to its intended use.
- Results of the risk assessment may require the use of additional risk reduction measures.
- Power to the robot and its power supply must be locked out and tagged out or have means to control

hazardous energy or implement energy isolation before any maintenance is performed.

-  Dispose of the product in accordance with the relevant rules and regulations of the country or area where the product is used.

## 2.6 Validation and Liability

The information contained herein neither includes how to design, install, and operate a complete robotic arm system, nor involves the peripherals that may affect the safety of the complete system. The integrators of the robot should understand the safety laws and regulations in their countries and prevent hazards from occurring in the complete system.

This includes but is not limited to:

- Risk assessment of the whole system
- Adding other machines and additional risk reduction measures based on the results of the risk assessment
- Using appropriate software safety features
- Ensuring Users will not modify any safety measures
- Ensuring all systems are correctly designed and installed
- Clearly labeling user instructions
- Clearly marking the contact information for the integrator
- Making relevant documents accessible, including the risk assessment, and this manual



### **CAUTION:**

This product is a partly complete machine. The design and installation of the complete system must comply with the safety standards and regulations in the country of use. Users and integrators of the robot should understand the safety laws and regulations in their countries and prevent major hazards from occurring in the complete system.

## 2.7 General Safety Warning

1. The noise measured in a factory setting is about 50.4 dB (A) without production. (Measured 1m from the robot and 1.6m above the floor, at 80% of maximum speed). If the sound pressure is over 80 dB(A) while operating, wear proper ear protection.
2. Environmental Conditions:
  - Ambient air temperature: 0°C ~ +50°C
  - Ambient relative humidity: < 85%
  - Transportation & Storage condition: -20°C ~ +60°C
  - Transportation & Storage humidity: < 75%
  - The robot needs to be protected from shock or vibration
  - Observe ESD precautions when installing or removing robot

## 2.8 Risk Assessment

Before installing or using this product, users must first carry out the necessary risk assessment based on the conditions of use, and pay attention to the potential remaining risk addressed by the Corporation. Refer to and abide by the relevant chapters in *Safety Manual* in accordance with its software and hardware version.

## 2.9 Emergency Stop

If any accidents occur during the operation of the robot, Users can stop all movement by pressing the Emergency Stop switch. When the robot stops, users must ensure that all hazards are eliminated before manually restarting the robot. The Emergency Stop switch is only for use in critical conditions. To stop the robot during normal operations use the Stop Button on the system controller. When Users presses the Emergency Stop switch, the TM Robot will disconnect power from the robot and activate the brakes after the robot motion is stopped. The indication light ring of the robot will not display light.

Once the risk assessment has been conducted, if an Emergency Stop switch needs to be installed, the selected device must comply with the requirements of IEC 60204-1. After an Emergency Stop, factory reset, or any other safety incident, refer and abide by the relevant chapters in *Safety Manual* in accordance with its software and hardware version.

## 2.10 Joint Movement without Drive Power

When there is no drive power in the robot, this means the robot is powered off or has power loss. These situations occur when the robot loses external power entirely. Regarding how to operate a robot without drive power as well as what safety precautions should be taken when using such a robot, refer to the relevant chapters in the *Safety Manual* and follow the instructions. If it is necessary to move the robot arm or joint manually, users can release the brake of each joint manually.

To release the brake of each joint manually:

1. Remove joint cover screws (M3, Torx-T10) and joint cover, and
2. Release the brake by pushing the pin on the brake solenoid, as shown in the following figures.



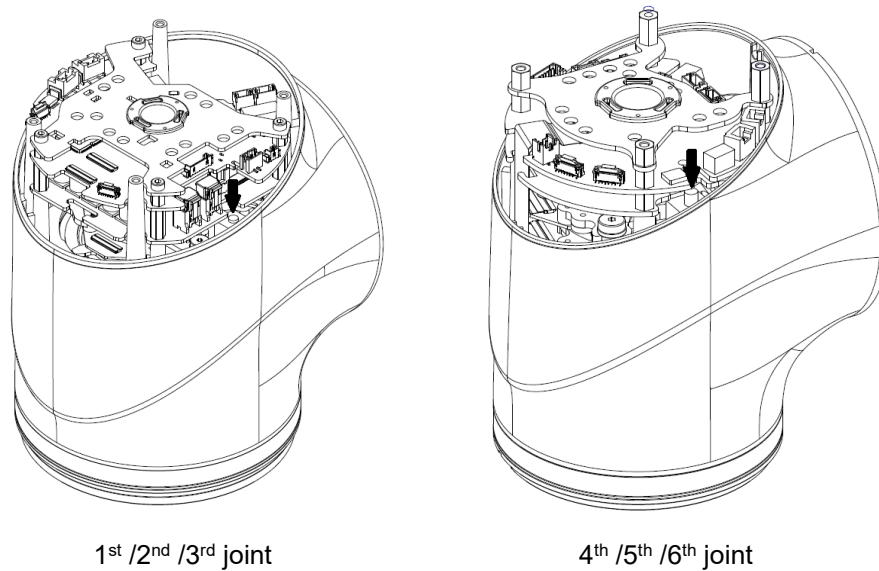


Figure 1: Pin position for brake releasing



**DANGER:**

There is no force compensation during joint movement without drive power, which means more force is required to move each joint directly against the motor drive.






**WARNING:**

Users should be well trained and pay attention to moving the robot without drive power during any emergency and abnormal situations.

2.11 Labels

The following labels, especially the warning ones, are attached to the locations where specific dangers may occur. Be sure to comply with description and warnings of the labels when operating to avoid accidents. Do not tear, damage, or remove the labels. Be very careful if you need to handle the parts where the labels are attached.

A		Do not put your hand or fingers close to moving parts
B		Be careful not to be close to the moving parts and nearby areas to avoid impact
C		<ul style="list-style-type: none"> <li>Do not touch any internal electric parts to avoid electric shock.</li> <li>Arc flash hazard, appropriate PPE required. Failure to comply can result in death or injury. Refer to NFPA 70 E.</li> <li>Risk of fire or electric shock. The door lock is not interlocked with the machine supply circuit disconnect. And unlocking or opening of doors does not de-energize exposed live parts.</li> </ul>

D	<p>Distributed by: Omron Robotics and Safety Technologies, Inc. 4225 Hacienda Drive, Pleasanton, CA 94588</p> <p>Model: TM7S Industrial Robot</p> <p>P/N: RT6-0107000 HWS.01 S/N: CA2225001</p> <p>Lot No.: 01719TM</p> <p>CA2225001</p> <p>Weight: Arm 22.9kg (50.5lb)    Max Pay load 7kg (15.4lb)    Arm Length 700mm</p> <p>www.omron.com    M/N: 69200-700 Rev. B    Country of Origin: Taiwan</p> <p>Manufactured by: Techman Robot Inc. 5F, No.58-2, Huaye 2nd Rd., Guishan Dist., Taoyuan City, 333411, Taiwan</p>	Product label
---	--	---------------

Table 3: Denotation of Labels

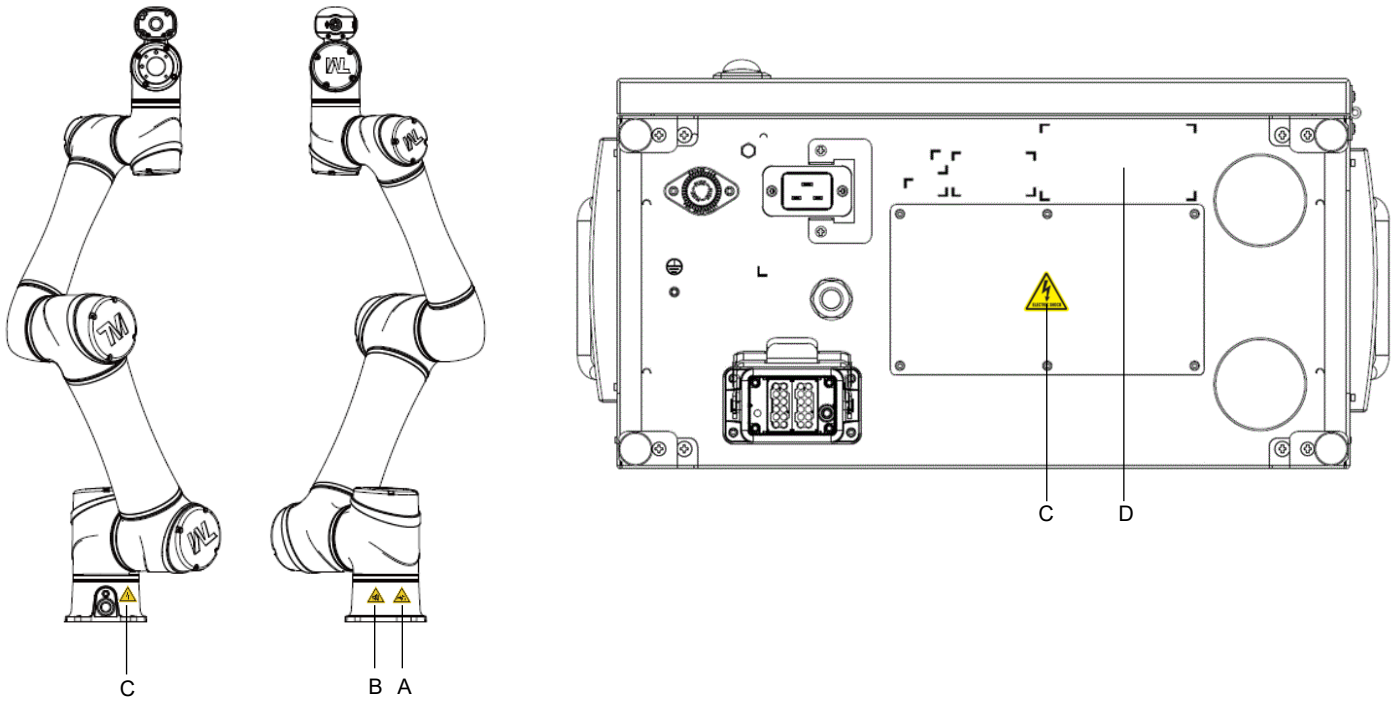


Figure 2: Locations of Labels

### 3. Transportation and Storage

Transport the TM Robot using its original packing materials. If you will need to transport the TM Robot after unpacking, store the packing materials in a dry place. Hold both arms of the TM Robot during transportation. Support the arms while tightening the base screws.

Lift the control box by its handles. Store the cables before transportation.



**WARNING:**

Pay attention to your posture when moving the arm and control box cartons to avoid back injury. The Corporation will not be liable for any injuries caused during transportation.



**WARNING:**

If the robot has not moved for a period of time, the base oil may be separated and leaked due to the influence of gravity. It is recommended to let the joints of the robot move at a slow speed (less than 10%) for at least 30 minutes every other month to make the base oil circulates effectively in the joints.



**WARNING:**

This product must be shipped and stored in a temperature-controlled environment, within the range -20°C to 60°C (-4°F to 140°F). The recommended humidity is up to 75 percent, non-condensing. It should be shipped and stored in the supplied package, which is designed to prevent damage from normal shock and vibration, You should protect the package from excessive shock and vibration.

The product must always be stored and shipped in an upright position in a clean, dry area that is free from condensation. Do not lay the package on its side or any other non-upright position. This could damage the product.

## 4. System Hardware

### 4.1 Overview

This chapter introduces the mechanical interface of the TM Robot System.

### 4.2 System Overview

TM Robot is made up of the robot arm and control box (including the Robot Stick).

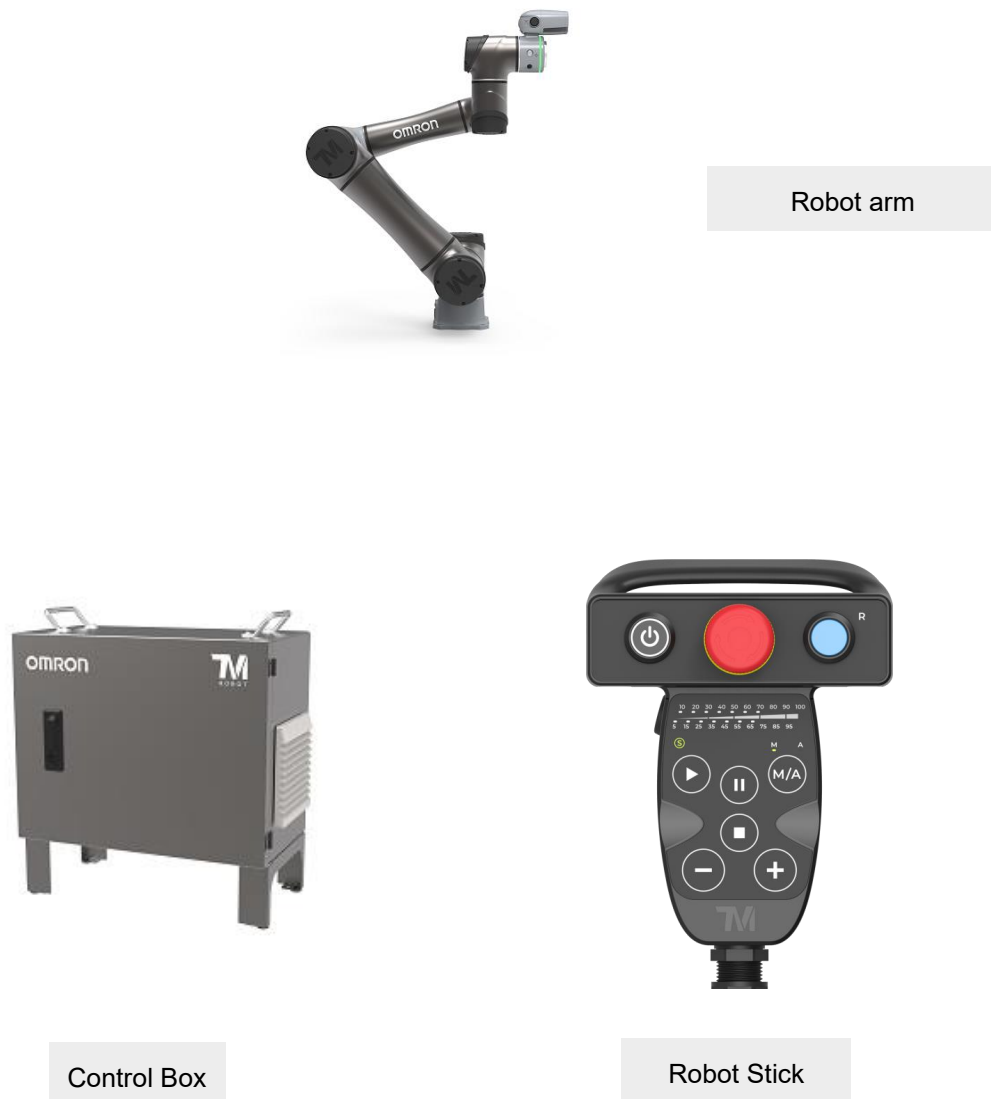


Figure 3: System Overview

#### 4.2.1 Robot Arm

##### 4.2.1.1 Dimension Drawings of Robot

Shown below is the dimension drawing of the robot

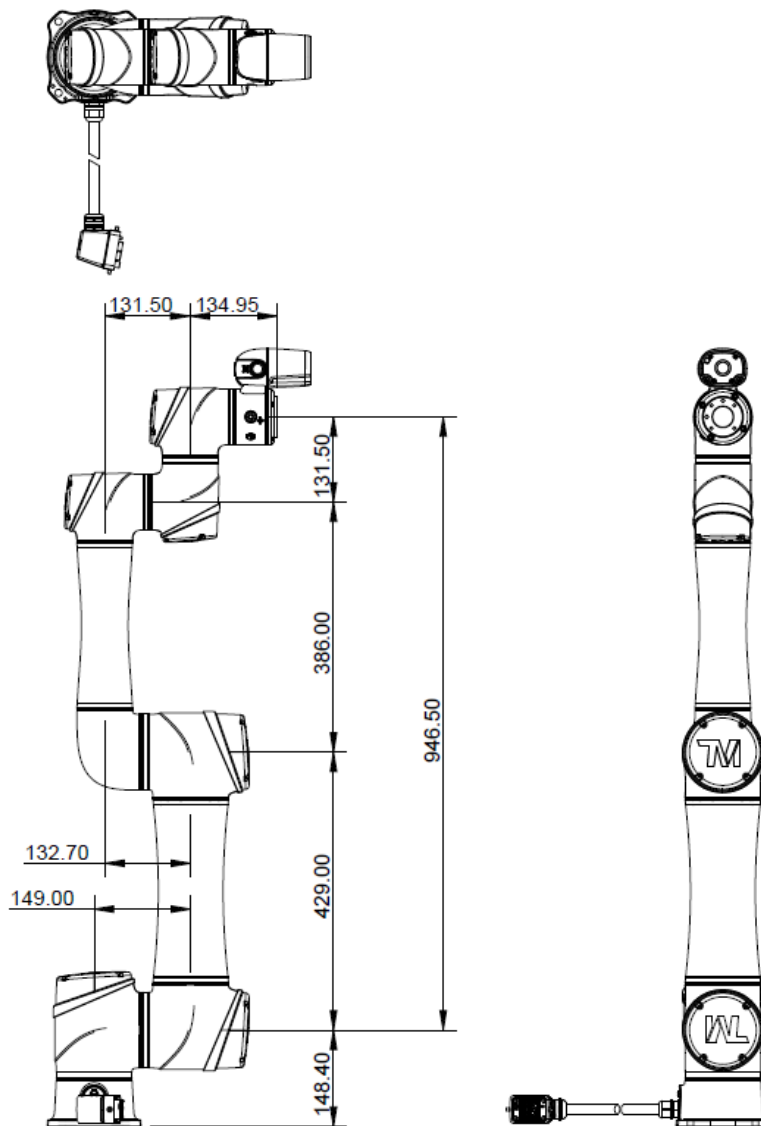


Figure 4: Dimension of TM5S / TM5S-M

\*All measures are in mm.

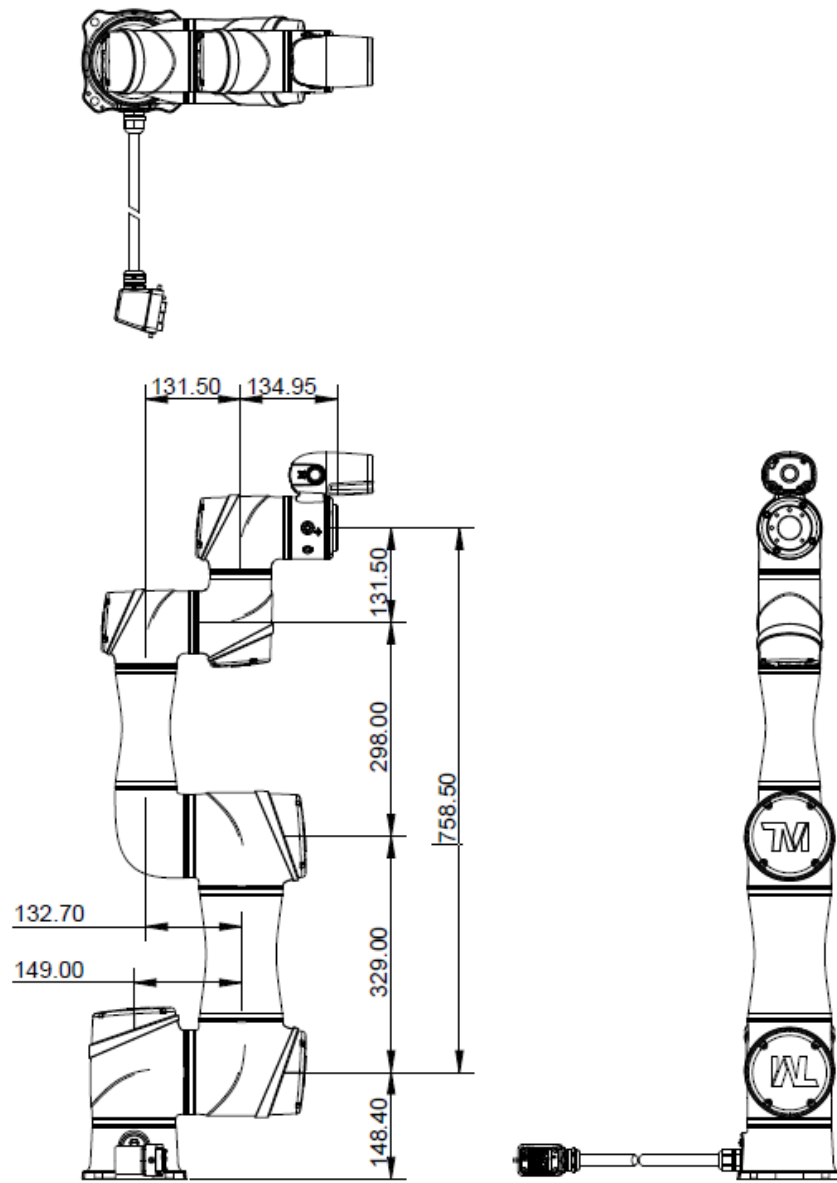


Figure 5: Dimension of TM7S / TM7S-M  
 \*All measures are in mm.

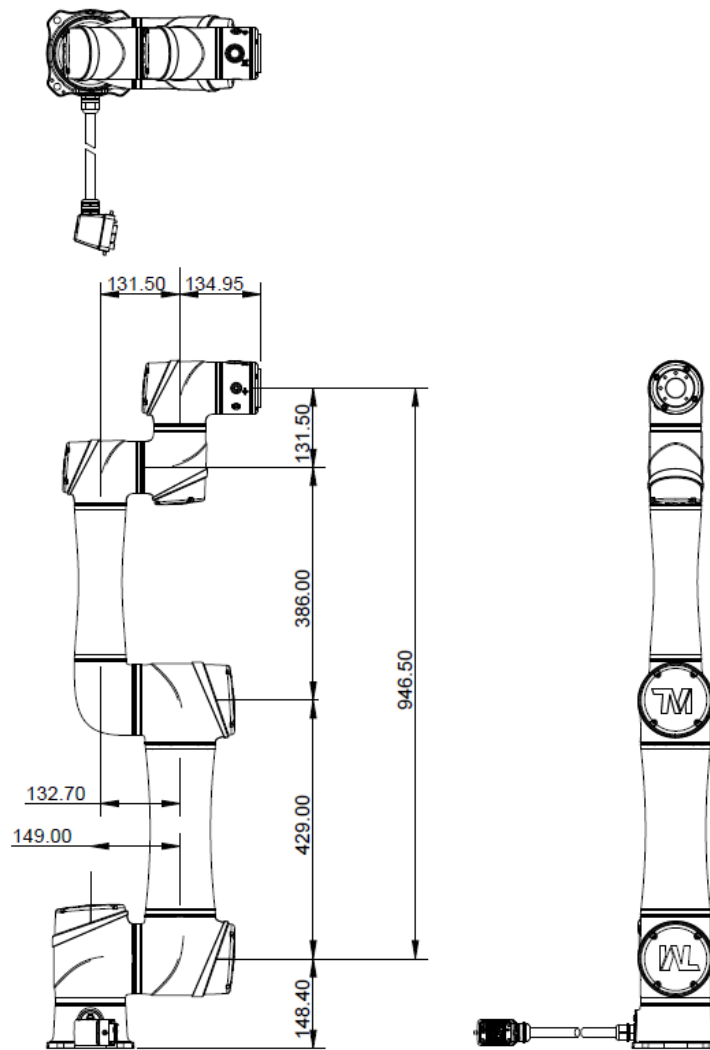


Figure 6: Dimension of TM5S-X  
 \*All measures are in mm.

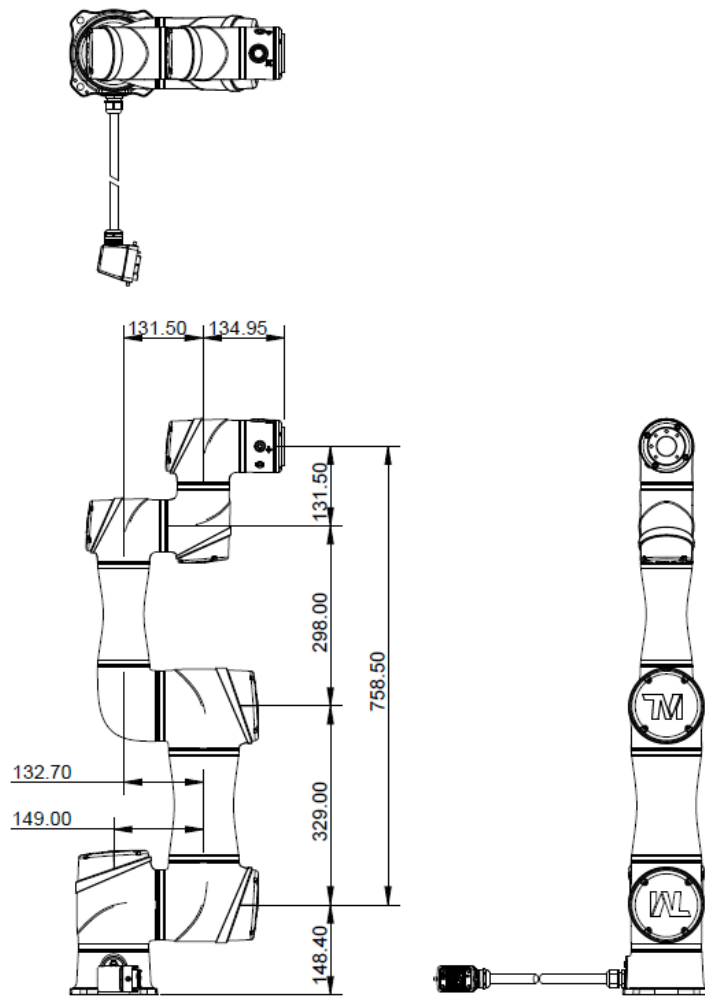


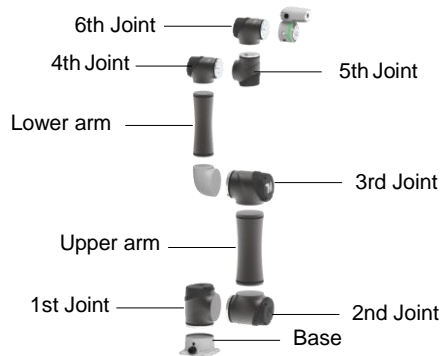
Figure 7: Dimension of TM7S-X

\*All measures are in mm.

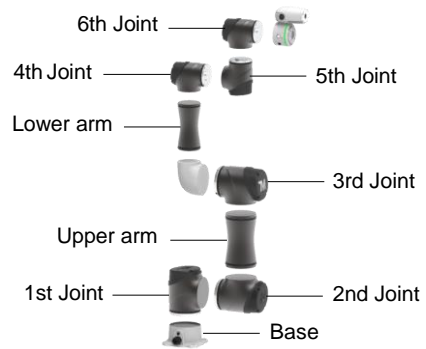
#### 4.2.1.2 Robot Assembly Diagram

Shown below is an illustration of the robot components. To avoid safety risks, do not attempt to disassemble any component on your own. Contact your local corporation support for any service request.

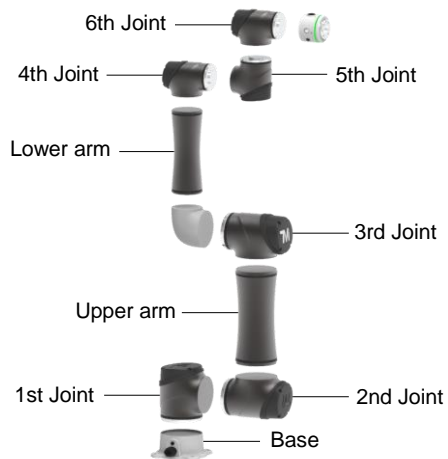




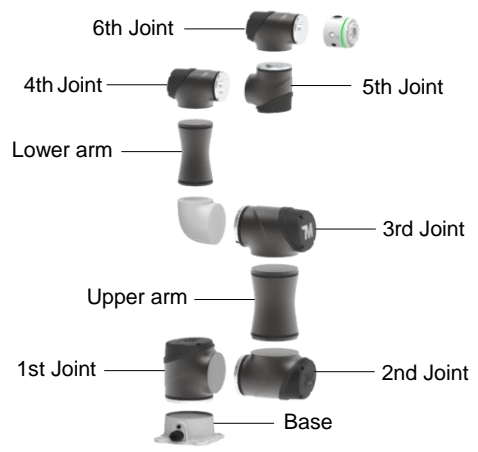
TM5S / TM5S-M



TM7S / TM7S-M



TM5S-X



TM7S-X

#### 4.2.1.3 Range of Motion

The working spherical (radius) range from the base is 900 mm for the TM5S series and 700 mm for the TM7S series.

**DANGER:**

With the exception of an individual being in full control of robot motion during hand-guiding, personnel shall be outside the safeguarded space when the robot is in motion while in manual mode (i.e. teaching).



The emergency stop on the robot stick must be readily accessible during manual mode. At least one emergency switch is installed outside of the motion range of the robot. When no motion limit is set for the robot, the motion range of the robot is equal to the maximum motion range of the robot arm. You can set a motion limit to avoid the situation whereby all operators have to be outside of the maximum motion range of the robot arm.

The robot stick should be placed in an area that the robot cannot reach. Users should also make sure that the movement of the robot will not be within any area where personnel will enter to press any buttons on the robot stick.

**TM5S / TM5S-M / TM5S-X Movement Range Diagram**

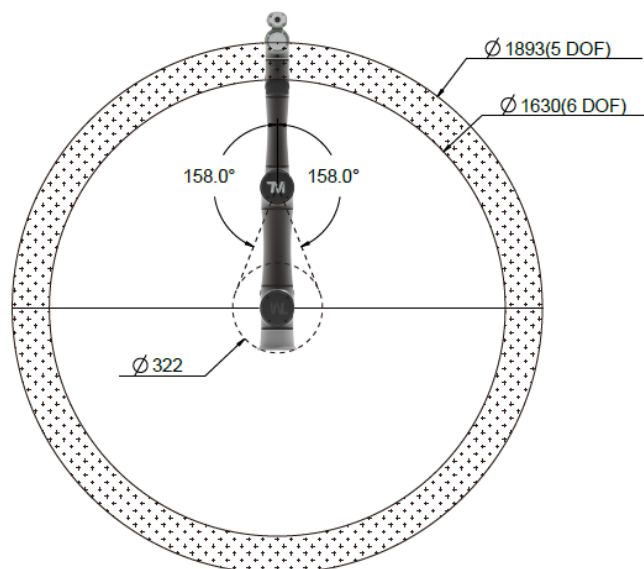


Figure 8: Side View of TM5S / TM5S-M / TM5S-X Movement Range Diagram

\*All measures are in mm.

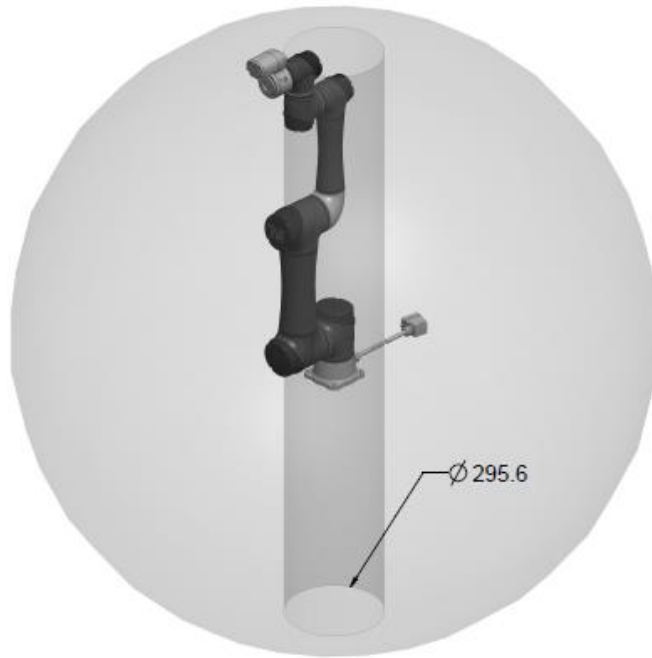
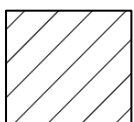
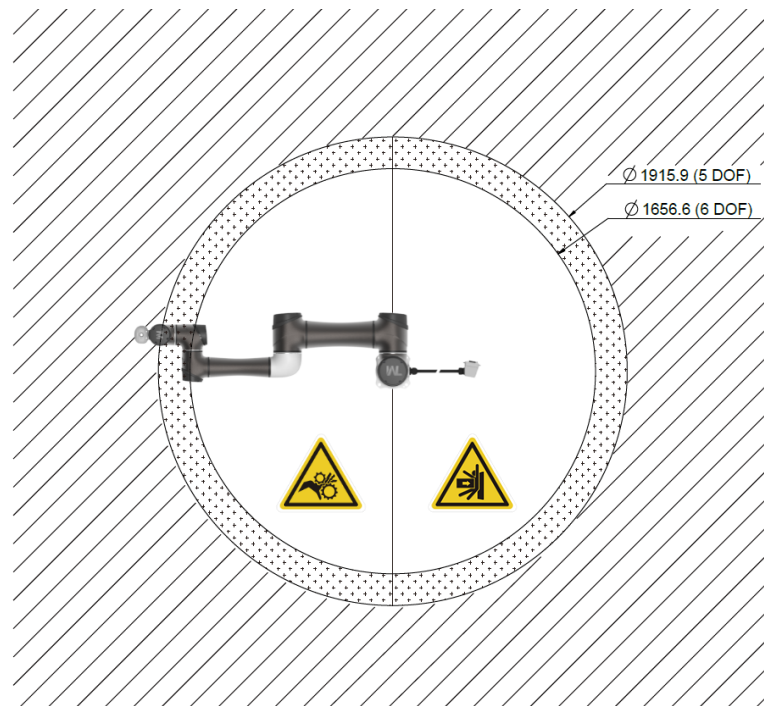


Figure 9: Pictorial view of TM5S / TM5S-M / TM5S-X Movement Range Diagram



Operator  
Position



Warning: Risk of crushing  
within the operating area of  
the arm.



Warning: Risk of collision  
within the operating area of the  
arm.

Figure 10: Top View of TM5S / TM5S-M / TM5S-X Movement Range

\*All measures are in mm.

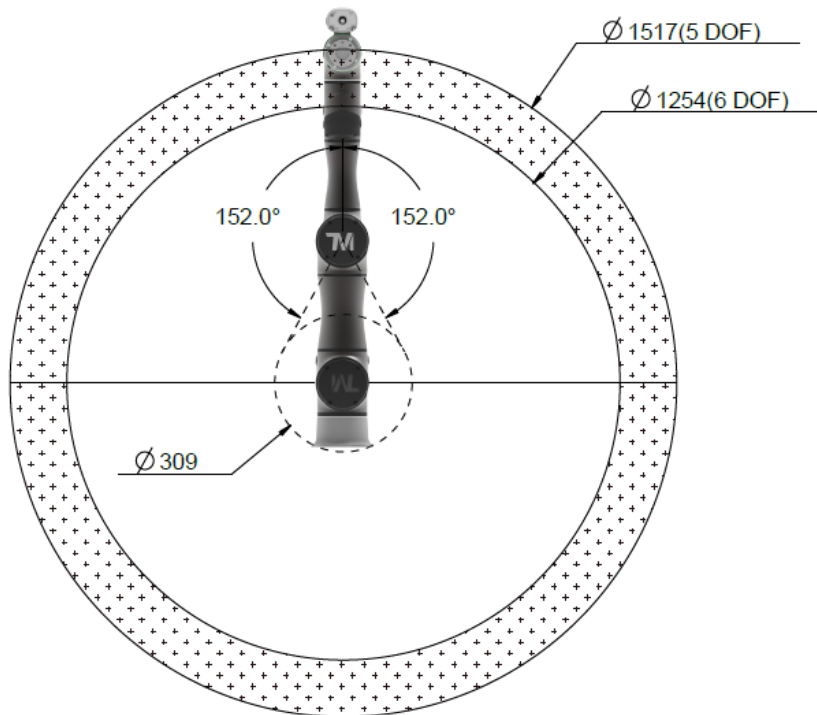


Figure 11: Side View of TM7S / TM7S-M / TM7S-X Movement Range Diagram  
 \*All measures are in mm.

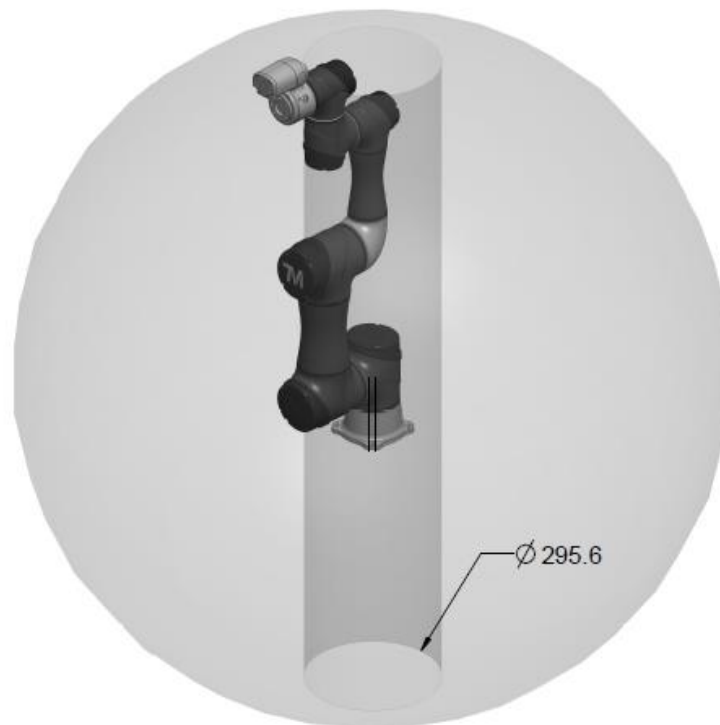
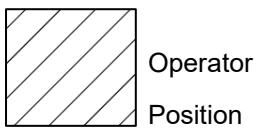
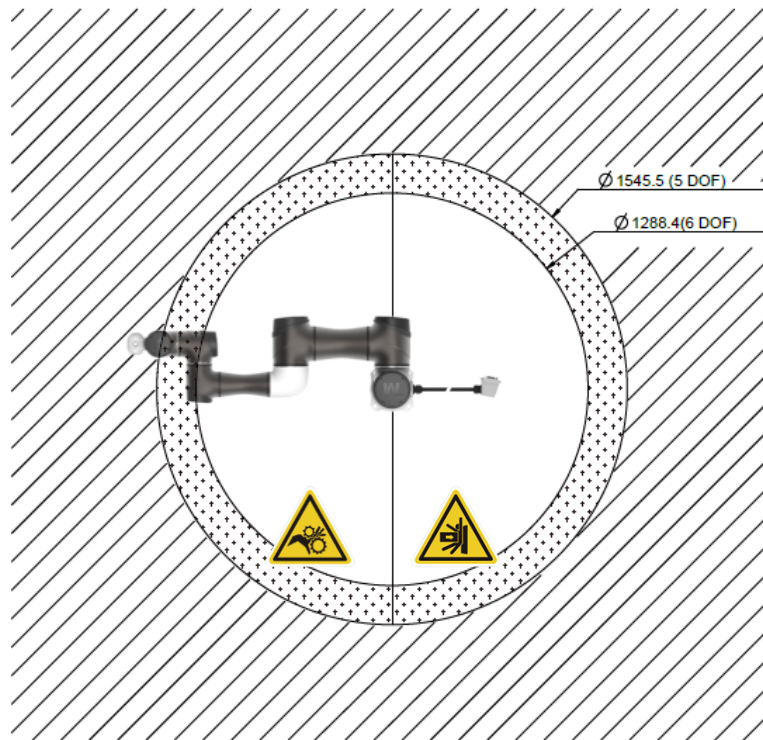


Figure 12: Pictorial View of TM7S / TM7S-M / TM7S-X Movement Range



Warning: Risk of crushing  
within the operating area of  
the arm.



Warning: Risk of collision  
within the operating area of the  
arm.

Figure 13: Top View of TM7S / TM7S-M / TM7S-X Movement Range

\*All measures are in mm.

#### 4.2.1.4 Payload and Torque

The maximum allowed payload of the robot arm is related to its center of gravity offset, which is defined as the distance from the center point of the **robot end of the flange** to the payload's center of gravity.

The following figure shows the relationship between payload and the center of gravity offset:

TM5S / TM5S-M / TM5S-X

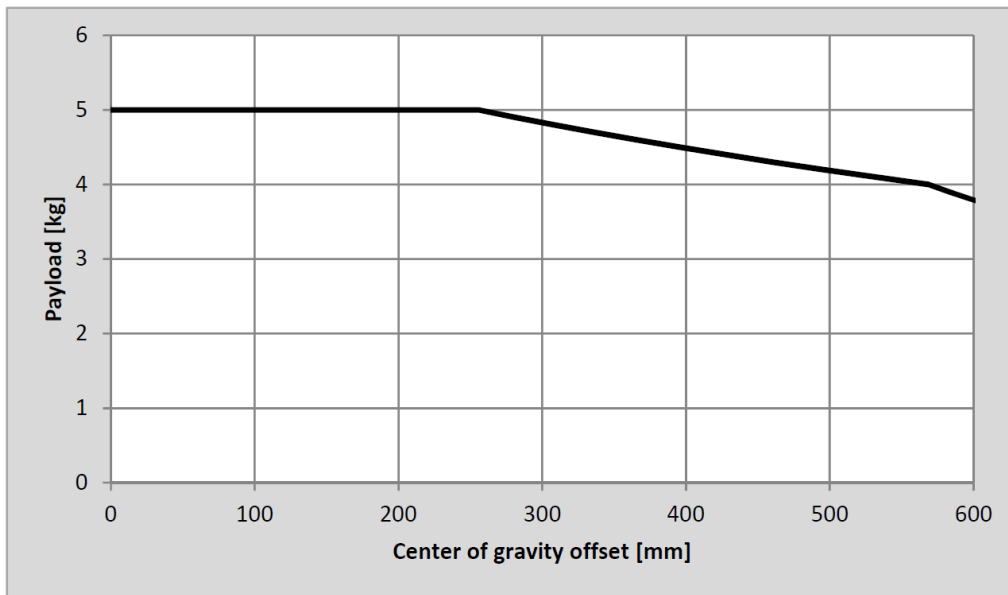


Figure 14: Relationship between Payload and the Center of Gravity Offset in TM5S / TM5S-M / TM5S-X

TM7S / TM7S-M / TM7S-X

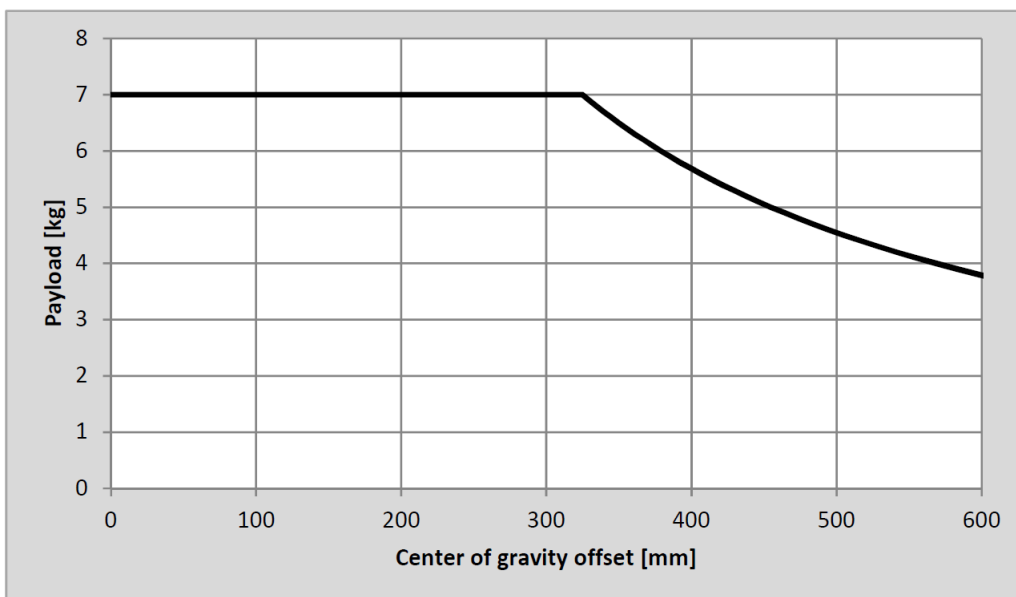


Figure 15: Relationship between Payload and the Center of Gravity Offset in TM7S / TM7S-M / TM7S-X

Refer the table below for the rated torque and the limit of repeated peak torque of the robot. Exceeding torque may reduce the life of the robot or damage the robot.

Model	TM5S & TM7S Series	
Item	Rated torque	Limit for repeated peak torque
J1	108	157
J2	108	157
J3	108	157
J4	39	54
J5	39	54
J6	22	34
Unit: Nm		

Table 4: Rated Torque and Limit for Repeated Peak Torque of TM5S and TM7S Robot Series



**WARNING:**

Use the total weight of the end-effector and the payload to stay within the payload rating of the robot. Ensure that the system never exceeds that maximum payload. Users should perform a full risk assessment that includes the end-effector and payload samples to prevent hazards such as shocks, vibrations, collisions, entanglements, stabbings, and piercings to secure the entire system.

#### 4.2.1.5 Robot Arm Installation

The robot can be secured to another surface with the use of four M10 screws and washers. The mounting pattern is shown below. The recommended tightening torque is 40 Nm.

Optional - Two openings for 6 mm position pins are provided for more secure position mounting. Ensure the strength of the mounting surface and its surround area before installations for upside down mounting and side mounting such as on the ceiling or the wall. Wherever the installation takes place, the robot setting remains equivalent.



**DANGER:**

1. The TM Robot must be securely and tightly screwed down before use. The strength of the mounting surface must be sufficient.  
When operating at high speed, the robot can generate up to 350 N reaction force to the mounting surface and screws. In order to avoid decreased performance caused by robot slip or vibration, the recommended mounting surface should be a steel plate at least 20 mm thick, its flatness should be 0.1 mm or less, its surface roughness should be Rz25 or less. The recommended screw should be M10 x L30 mm, at least 8.8 strength.
2. Do not immerse TM Robot in water. Installation in water or a humid environment will permanently damage the robot.



**WARNING:**

In contact with liquids with chemical substances such as chemical solvents, lubricants, sanitizers, cleansers, etc. may cause damage to the joint covers or other components of the robot.

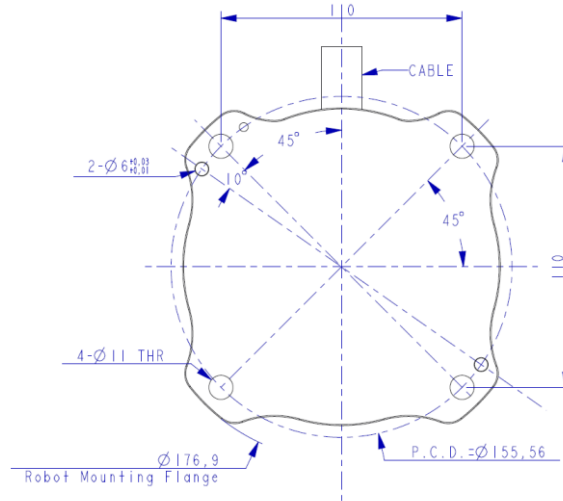


Figure 16: Bottom View of Robot Base (TM5S / TM7S series)

\*All measures are in mm.

Use the M4L5 pan head screw to secure the ground wire with the robot as shown below.



Figure 17: Grounding position for the robot

#### 4.2.2 Robot End Module

##### 4.2.2.1 End Module Components



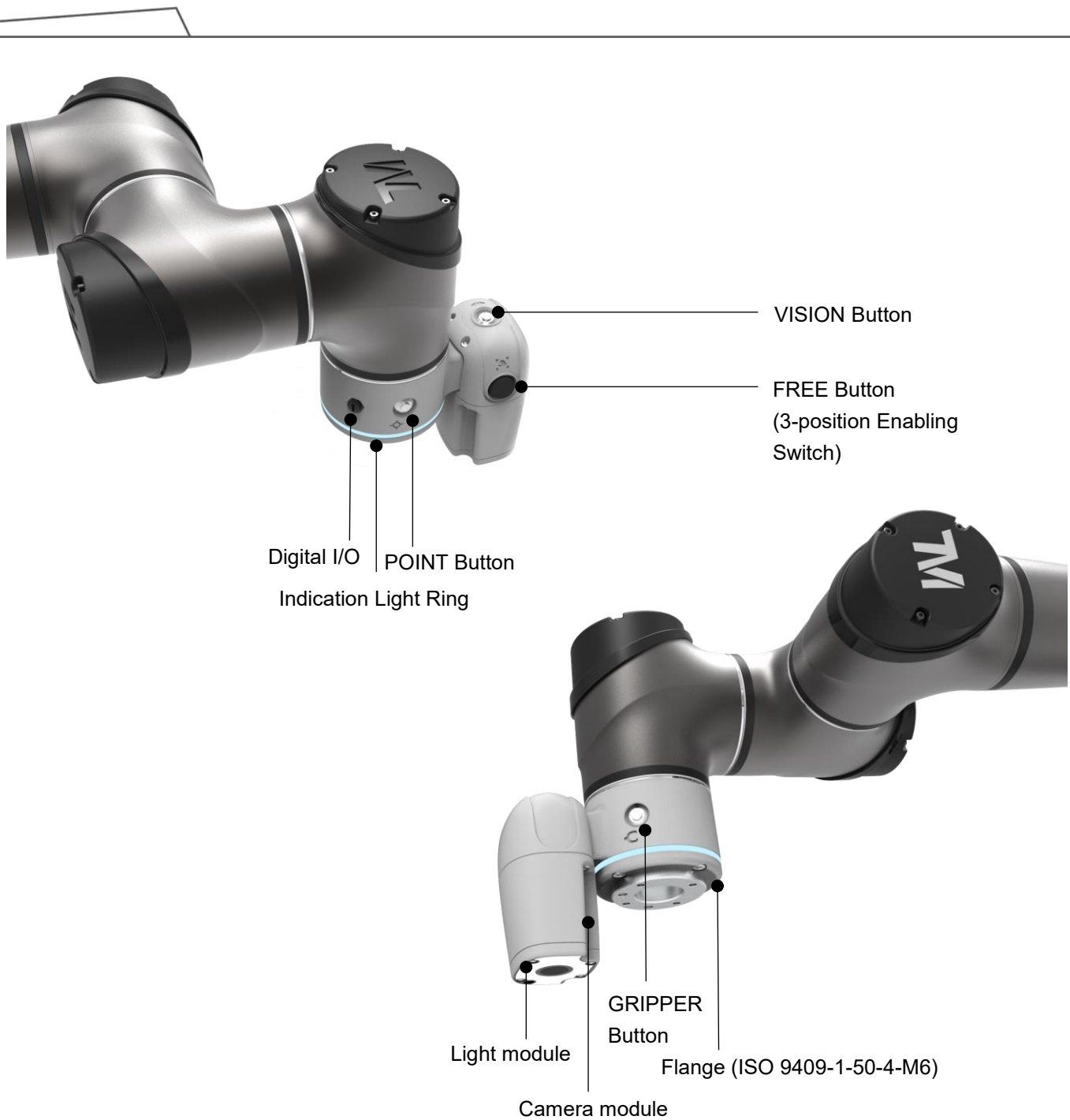


Figure 18: References of TM5S / TM5S-M / TM7S / TM7S-M End Module Components

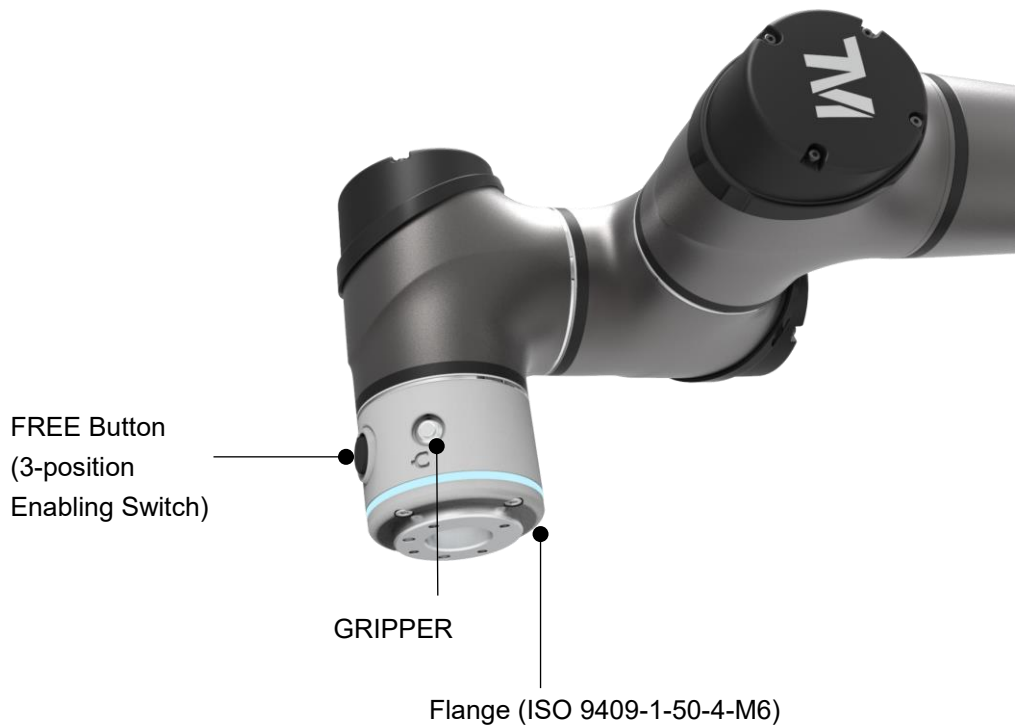
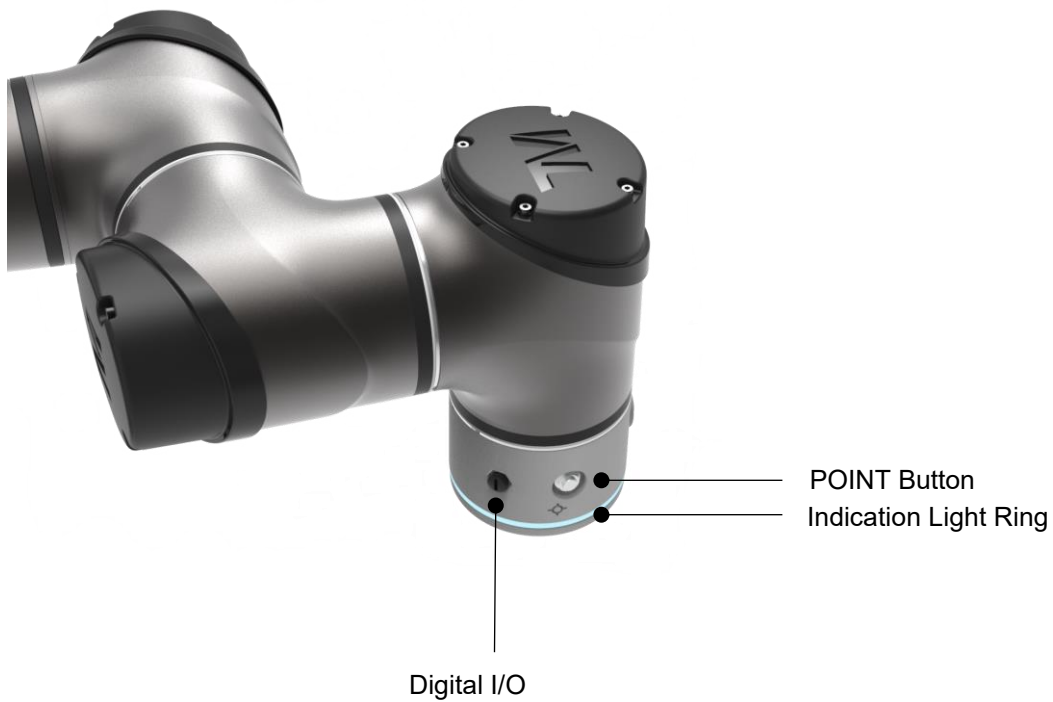


Figure 19: References of TM5S-X / TM7S-X End Module Components

Note

**NOTE:**

There are two contacts in the Enabling Switch that are designed to operate independently. Press the edge of the Enabling Switch turns on one contact earlier than the other contact, causing discrepancy to the enable signals. A safety protection mechanism will be initiated after the discrepancy occurs. Users are required to resume following the instruction log from HMI.

#### 4.2.2.2 Flange Surface of the Robot End

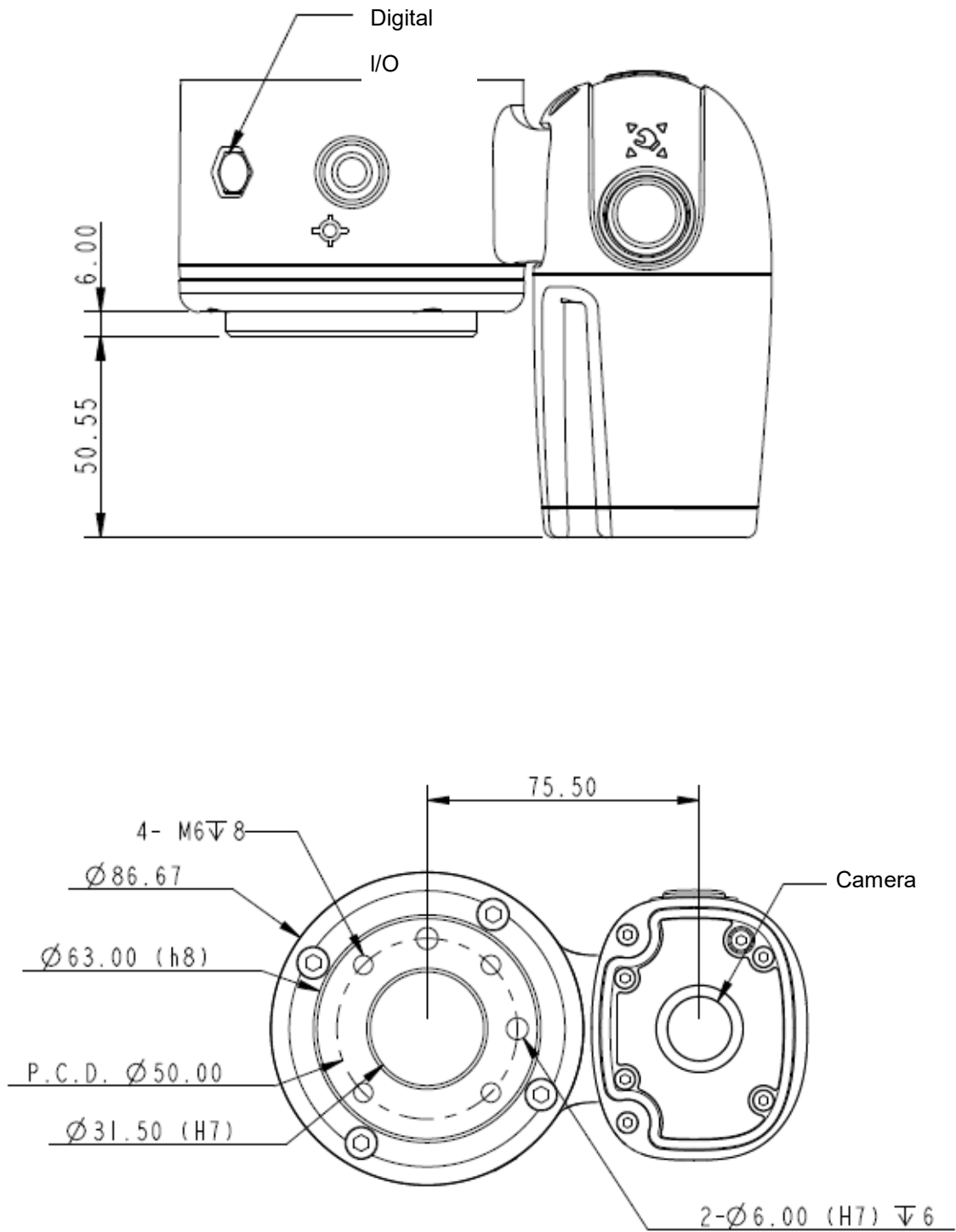


Figure 20: References of the Flange Surface of the Robot End

\*All measures are in mm.

#### 4.2.2.3 End Mounting Caution

The TM5S & TM7S Series use four M6 threaded holes on the [robot end of the flange](#) and four M6 screws for mounting tools. The strength of the M6 screw should be 8.8 or above, and the tightening torque of 9 Nm is recommended. If your application requires higher precision, you can use two positioning pins with a diameter of 6 mm for a more secure mounting.



##### **DANGER:**

1. Tools must be properly tightened when using this product. Improper tightening may cause the tool or part to fall out, or even cause personal injury and death.
2. Follow the rule  $L \leq 8 + T$  to choose the screw to secure tools at the [robot end of the flange](#), otherwise it may result in short circuits or irreparable damages at the bottom of the flange leading to the relevant parts replacement.

L	Length of the screw to secure tools. Unit: mm
8	Depth of the thread in the screw hole at the <a href="#">robot end of the flange</a> . Unit: mm
T	Thickness of the object to be fixed. Unit: mm



##### **CAUTION:**

The application of mounting an actuator in the tool end with high vibration or impact may cause damage to the robot. Design the tool with proper anti-vibration/impact such as damping/cushion or shock absorber, or use low impact actuator such as pneumatic cylinder/system with shock absorb/buffer/cushion design to prevent this.

#### 4.2.2.4 End Indication Light Ring Table

The Indication Light Ring of the TM Robot has several colors which represent different modes and error status. Refer to the Software Manual for the definition of the light colors.

### 4.2.3 Control Box

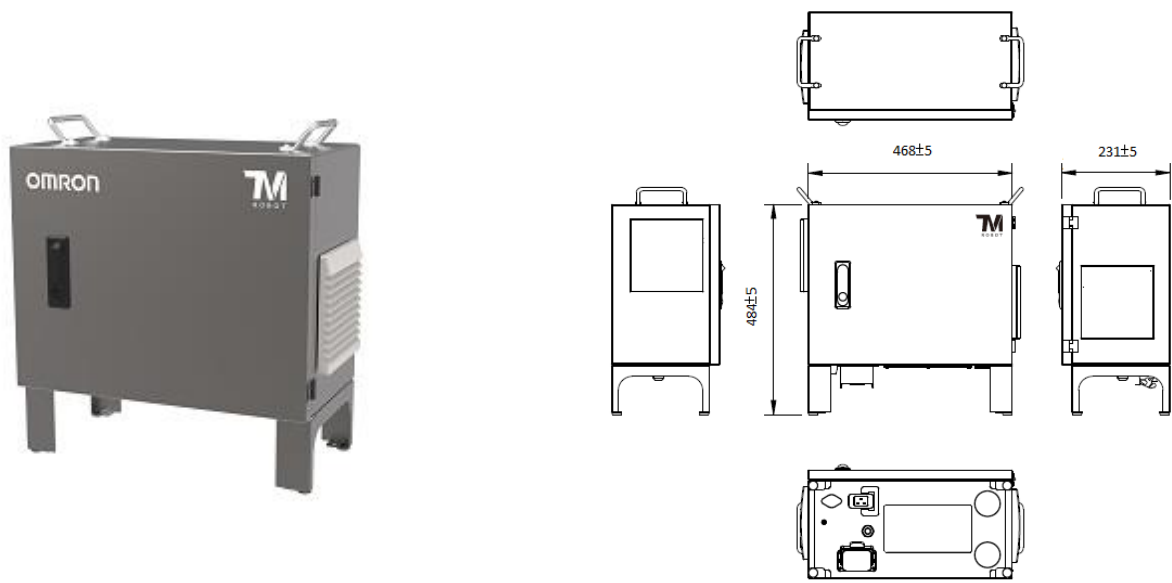


Figure 21: The Exterior and Diagram of the Control Box  
\*All measures are in mm.

Use the M4L6 screw to secure the ground wire with the control box as shown below.



Figure 22: Grounding position for the control box

### 4.2.3.1 Robot Stick

The Robot Stick has 1 Power Button (combined with an indicator), 1 Emergency Stop button, 1 Reset button, 1 Enabling Switch (combined with 1 mode indicator), 6 function buttons (Play, Pause, Stop, M/A, +, -), 3 light indicators and 1 set of speed indicators. Their functions are defined as follow:



Figure 23: Robot Stick (front)



Figure 24: Robot Stick (back)

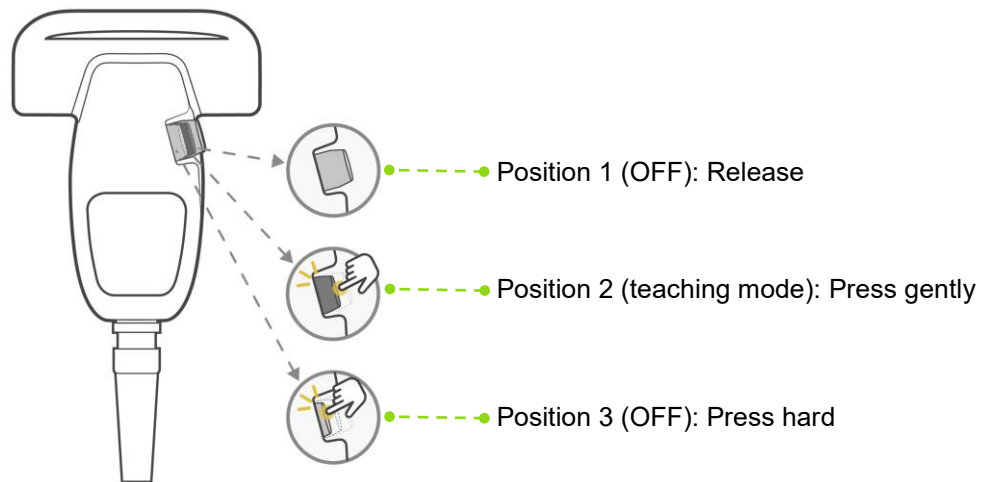


Figure 25: Operation of the Enabling Switch



**NOTE:**

- To ensure the operator's safety, the Enabling Switch on the Robot Stick can only be activated at Position 2, when the robot enters the teaching mode. If the switch is instead pressed at Position 1 or 3, the robot enters the non-teaching mode and does not move.
- There are two contacts in the Enabling Switch and the Reset Button that are designed to operate independently. Pressing the edge of the Enabling Switch turns on one contact earlier than the other contact, causing a discrepancy in the enable signals. A safety protection mechanism will be initiated after the discrepancy occurs. Users are required to resume following the instruction log from the HMI.



**CAUTION:**

When operating the robot stick, do not use other objects than fingers to press the robot stick.



**CAUTION:**

There are notable differences in robot stopping behavior between pausing the robot with the Play/Pause Button and stopping the robot with the Stop Button. Please refer to the *Safety Manual* for more information on the robot's ESTOP behavior.

- When the Play/Pause Button is used, the robot takes more time to decelerate to a complete stop, allowing for a more smooth transition from the moving state to the paused state.
- When the Stop Button is used, the robot must decelerate to a stop quickly, which can result in an abrupt stopping behavior. This could lead to high torque on the joints, especially with higher speed and payload.

Items	Basic Function
Power Button (with indicator)	Power initiation (single press)/ Shutdown (long press) OFF: Switched off

	Constant: Startup completed
Emergency Stop button	Default Emergency Stop button for the robot. Stop robot motion when emergency situation occurs. See <i>Safety Manual</i> for details.
Reset Button	Default Reset button for the robot. Recover the robot from latching safety or error statuses. See <i>Safety Manual</i> for details.
Speed Indicator	Display the current executing project override speed.
Enabling Switch	Default Enabling Switch for the robot. Manual control operations are permitted when continuously hold at the center position. See <i>Safety Manual</i> for details.
Play Button	Play project (single press)
Pause Button	Pause project (single press)
Stop Button	Stop project (single press)
M/A Button	Default MODE switch function for the robot. See <i>Safety Manual</i> for details.
+ - Button	Adjust project override speed (single press) during project execution. See <i>Software Manual</i> for details.
Robot Stick Enable Indicator	This indicator shows the Enable/Disable of Robot Stick: Constant: Robot Stick enable Flashing: 6 function buttons of Robot Stick locked, See Advanced Function below OFF: Robot Stick disable See <i>Safety Manual</i> for details.
MODE Indicator	One is MANUAL MODE; the other is AUTO MODE. They show the robot's current Operation Mode. Once boot up is complete, only one indicator will always be on.

Table 5: Robot Stick Basic Functions

Items	Advanced Function
Play Button	<ul style="list-style-type: none"> <li>- Activate visual calibration operation (single press)</li> <li>- Record the project's override speed during project execution under AUTO MODE (long press)</li> </ul>
Stop Button	Stop visual calibration operation (single press)
+ - Button	<ul style="list-style-type: none"> <li>- Hold to run to jog the robot at the HMI robot controller page (long press). See <i>Software Manual</i> for details.</li> <li>- Lock/Unlock 6 function buttons of Robot Stick: press and hold the - button until the Robot Stick Enable Indicator flashes, then follow the sequence "-", "+", "-", "+" to lock/unlock the 6 function buttons of Robot Stick.</li> </ul>

Table 6: Robot Stick Advanced Functions



**CAUTION:**

The Robot Stick should be properly secured. However, considering the risk of falling or rotating caused by poor attachment, it is recommended that the TM Robot Stick Stand (an official TM add-on) be used to secure the Robot Stick. The TM Robot Stick Stand should be fixed with screws. Always attach the Robot Stick when it is not in use. The Robot Stick should be placed in a way such that the signal cables are routed to avoid damage caused by pulling.

**DANGER:**

1. The control box, cables, power signal cables, and Robot Stick cannot be used when any of them is in contact with liquids. This may result in personal injury or death.
2. The control box comes with the IP54 rating, but it is not recommended to use the box in dusty and humid environments. Pay extra attention to environments with conductive dust (such as metal particles).
3. The control box can be placed in the standing posture.

#### 4.2.3.2 TM Screen (Optional)

The Robot Stick can be assembled into the TM Screen to create the TM Teach Pendant. Due to this design, the 6 function buttons of the Robot Stick (Play, Pause, Stop, M/A, +, -) will be hidden by the TM Screen after the assembly, but the 6 buttons will be displayed on the UI.

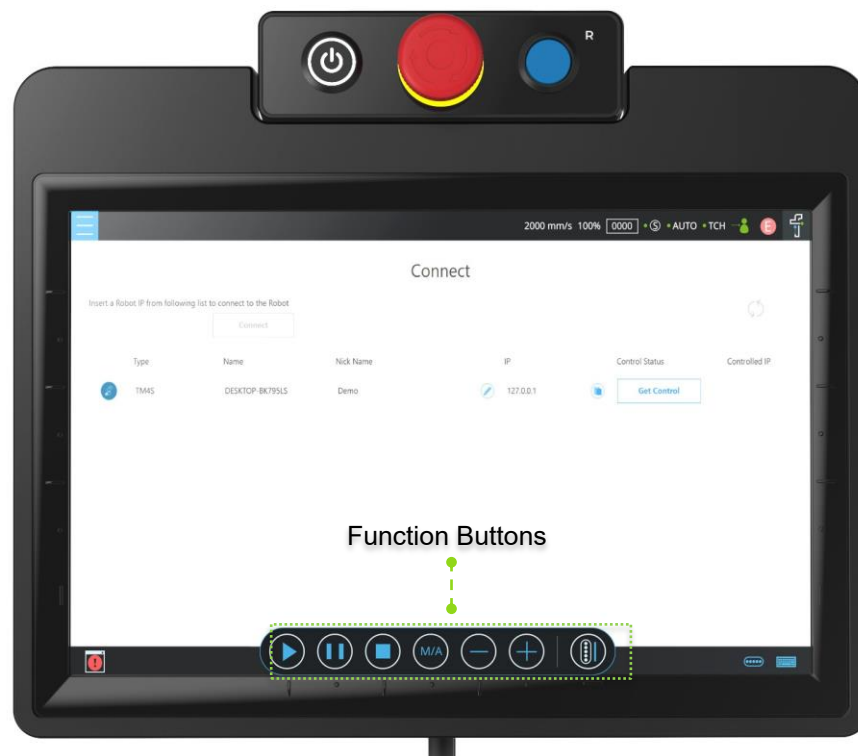
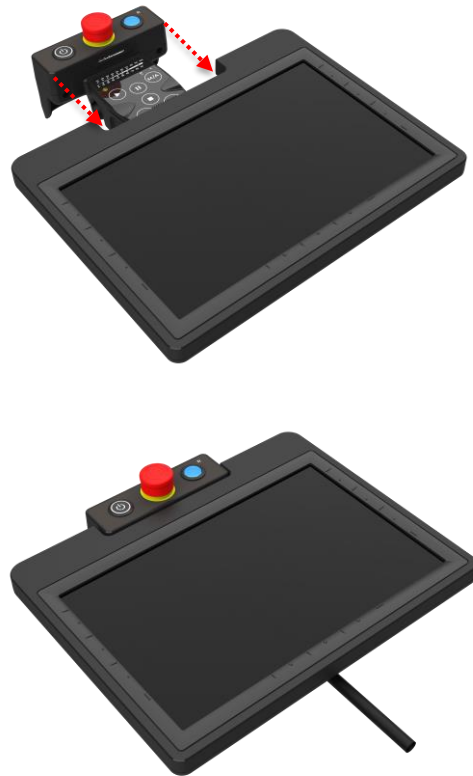


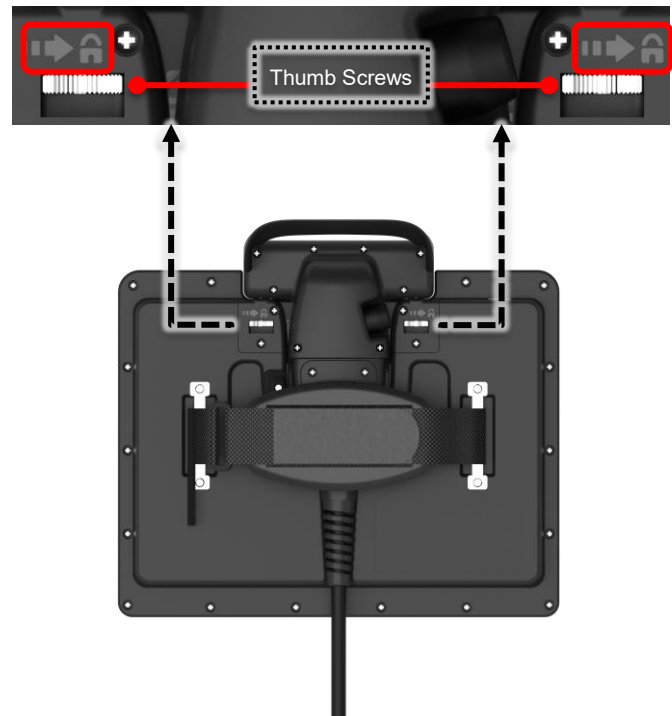
Figure 26: TM Teach Pendant (consisting of the TM Screen and Robot Stick)

The installation of the TM Teach Pendant is described as follows:

1. Plug the TM Screen onto the Robot Stick along its side tracks.



2. Rotate to tighten both thumb screws on the back of the TM Screen to make sure the module are firmly combined with the Robot Stick.



**DANGER:**

When using the TM Teach Pendant, it is forbidden to integrate the robot with Screen/Keyboard/Mouse. This may cause the robot under multi-control situation. The system integrator is responsible for ensuring that the robot is under only one control source.

## 4.2.4 Robot Light Module

### 4.2.4.1 Light Module Surface

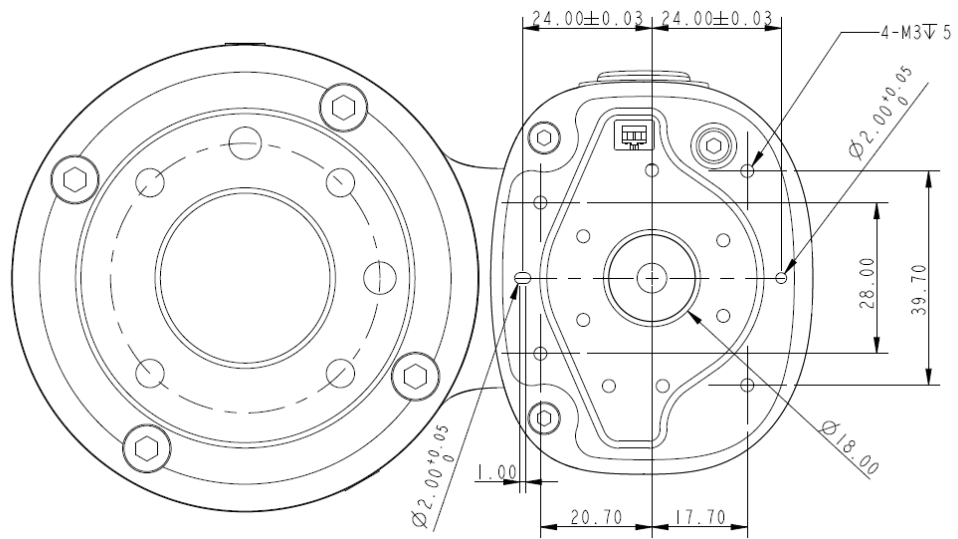


Figure 27: Light Module Surface

\*All measures are in mm.

### 4.2.4.2 Install Light Module

The light module uses 4 of M3 screws to fix, and the recommended tightening torque is 1 Nm. For higher accuracy on usages in demand, use both of the 2 mm diameter openings with the positioning pins to get the better steadiness. Users can replace the light module by applications in demand. The choice depends on the torque load of the light module, the available load of the robot, the possible influence the other light module made to the camera's field of view, and the electrical specifications.

1. The torque load of the light module (M): this torque load must be lower than 900 kgf-mm, which is the available strength of the camera module M3 screw can be loaded.

Calculation formula:  $M = (L+59.2)*W$

The weight of the light module	W	kgf
The center of gravity of the light module	L	mm

Table 7: Reference of the Symbol and Unit in Calculation the Torque Load of the Light Module

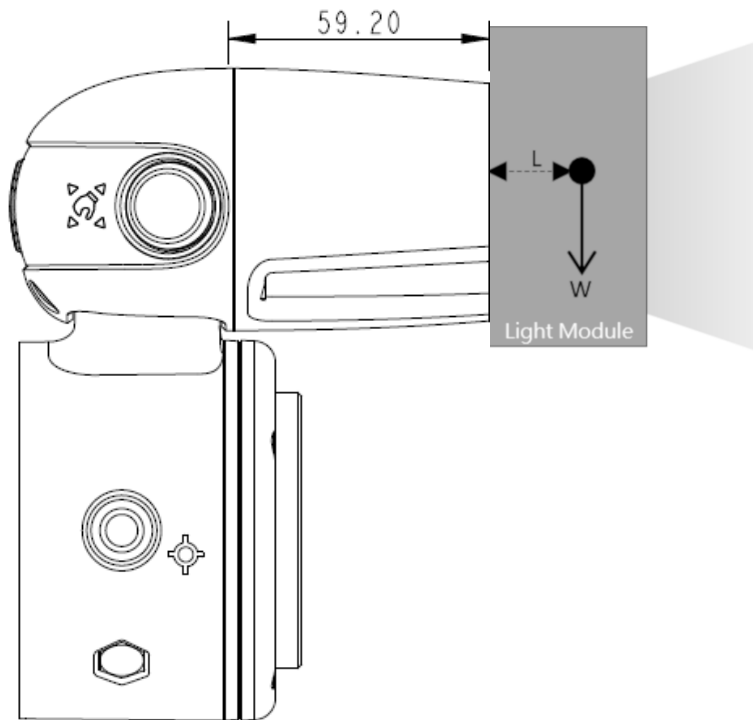


Figure 28: Calculation the Torque Load of the Light Module

\*All measures are in mm.

2. The maximum allowed payload of the robot: the weight of the light module must match the relative relationship between the maximum allowed payload and the center of gravity offset distance. If the robot end of the flange goes with additional applications, it is required to generate the equivalent center of gravity for its position and total load from the combination of the light module and the application tool as well as follow 4.2.1.4 Payload and Torque of this manual.
3. For the working distance and field of view of TM Robot's EIH camera, refer to 4.4.
4. Electrical Specification of the Light Module

Voltage:	24V	Current (only for TM Robot's light module):	< 100 mA
		Current (for light modules from other manufacturers):	< 900mA

Table 8: Electrical Specification of the Light Module

### Fill light cable:

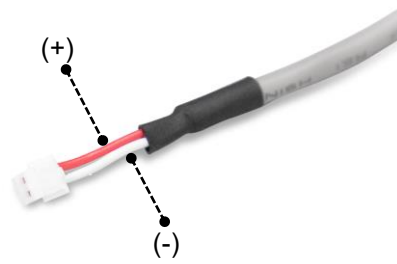


Figure 29: Electrical Polarity of Fill Light Cable

**Connector:** 2P/1.5 mm pin pitch. Refer to JST model ZHR-4 series.

**Dimming mode:** PWM control



#### **NOTE:**

The robot comes with the IP54 rating, but the Corporation does not guarantee this rating if users replace with the other light modules.



#### **DANGER:**

Be aware that the tool must be correctly and firmly secured to use with this product; otherwise, personal injuries or death may occur should the tool or the workpiece fall.

### 4.3 Operating Position of TM Robot with AGV/AIV

When TM Robot is placed on an AGV/AIV in operation, the TM Robot should be paused and should not exceed the footprint of the AGV/AIV.

AGV/AIV Footprint



Figure 30: Top View of TM Robot Placed on the AGV/AIV

#### 4.4 Working distance and field of view of TM Robot's EIH camera

The field of view of TM Robot's EIH camera varies linearly in accordance with the working distance. The minimum working distance is about 100 mm and the maximum working distance is about 300 mm. The zero working distance point is approximately 44.76 mm in front of the flange surface and right behind the center of the protection lens.

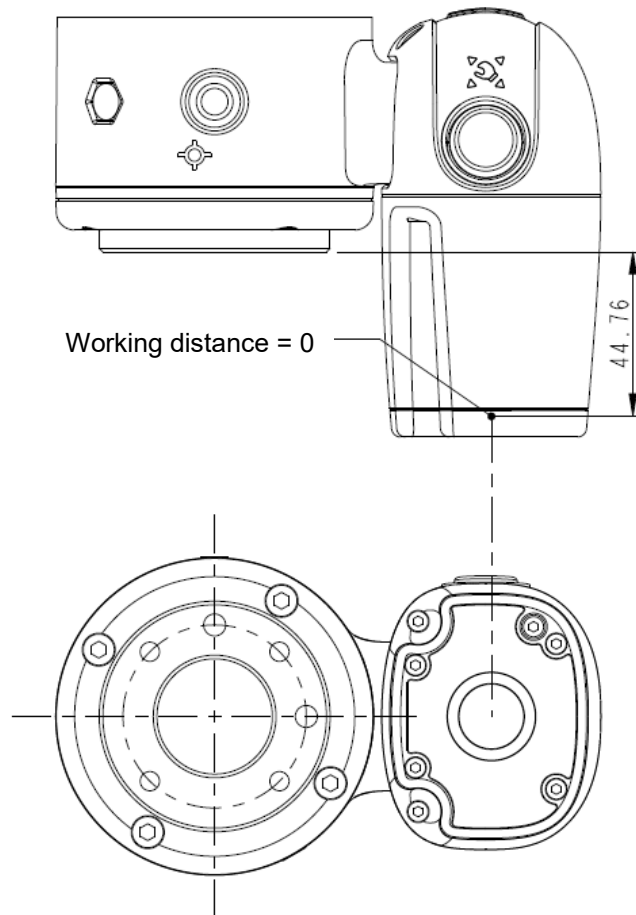


Figure 31: Working Distance and Field of View of TM Robot's EIH camera

\*All measures are in mm.

The relation between the working distance and the field of view is listed below.

Working distance (mm)	300	100
Field of view (mm)		
Width	281.6	96.9
Height	211.2	72.7

Table 9: The Relation between the Working Distance and the Field of View

## 5. Electrical Interface

### 5.1 Overview

This chapter introduces all electrical interfaces of the robot arm and control box.

### 5.2 Electrical Warnings and Cautions

The application design and installation of the robot should comply with the following warnings.



#### DANGER:

1. Ensure all pieces of the equipment are kept dry. If water enters the equipment, disconnect the power and contact your supplier.
2. Only use the original cables included with the robot. If you need longer cables, contact your supplier.
3. Ensure that the robot is properly grounded. If the grounding is not correct, it may cause a fire or electric shock.



#### WARNING:

The I/O cables used for the link between the control box and other pieces of equipment should not be longer than 30 meters, unless testing shows that longer cables are feasible.

### 5.3 Control Box



#### WARNING:

Except for USB ports, other interfaces have to be installed while arm is powered off. Do not install while arm is on to avoid abnormal shutdown.

#### Control Box I/O configuration

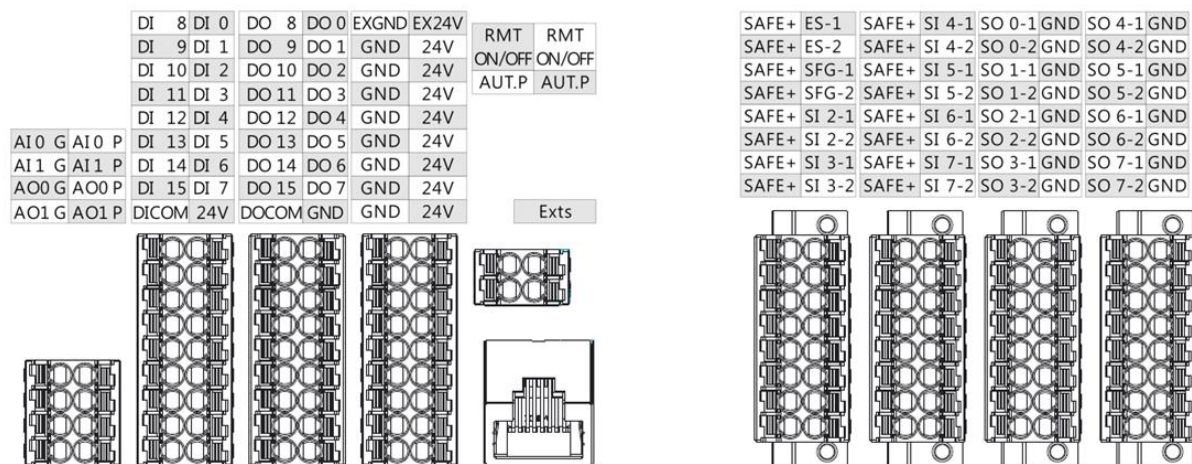


Figure 32: Control Box I/O Configuration

### 5.3.1 Safety Connector

Safety I/O comes with dual redundant channel connector and has to keep both channel input/output the same value simultaneously. Single fault on either one of the single channel will not result in failure of safety functions.

#### 5.3.1.1 Safety Input Connector

1. ES-1/ ES-2 are N.C. contact (Normally closed). When this Safety Input Port is OPEN, the robot initiates a Category 1 Stop.
2. SFG-1/ SFG-2 are a N.C. contact (Normally closed). When this Safety Input Port is OPEN, the robot initiates a Category 2 Stop.
3. SI 2-1/ SI 2-2 to SI 7-1/ SI 7-2 are user defined Safety Input Port. Safety functions can be assigned to these ports.

For details about the safety functions, please refer to the Safety Manual.

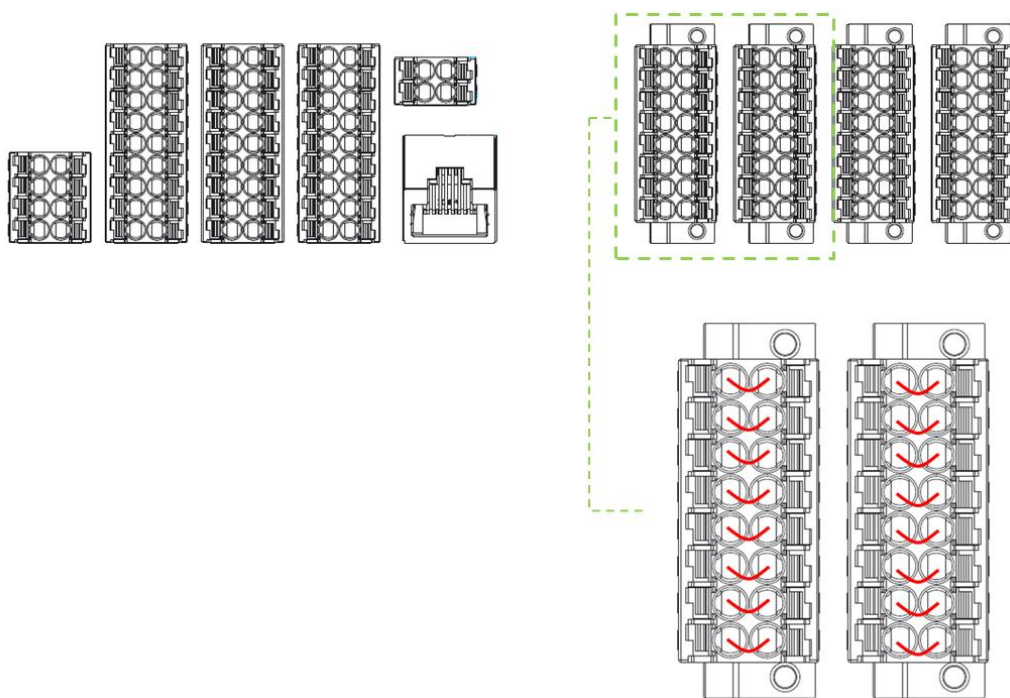


Figure 33: Safety Input Connector



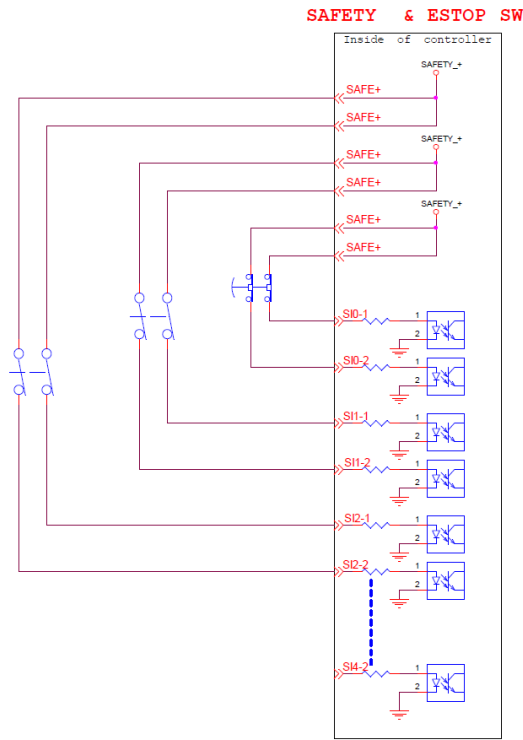


Figure 34: The Wiring Diagram Example of Switch Type Safety Device.

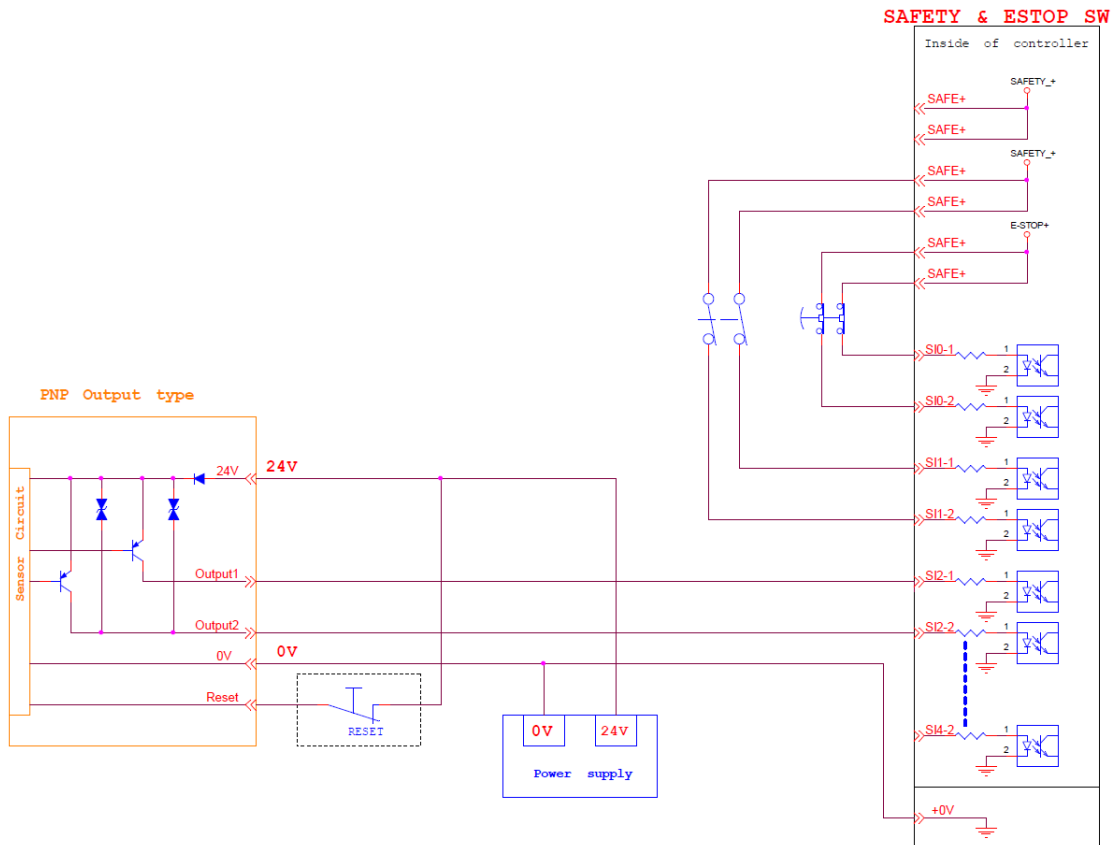


Figure 35: The Wiring Diagram Example of PNP Output Type Safety Device

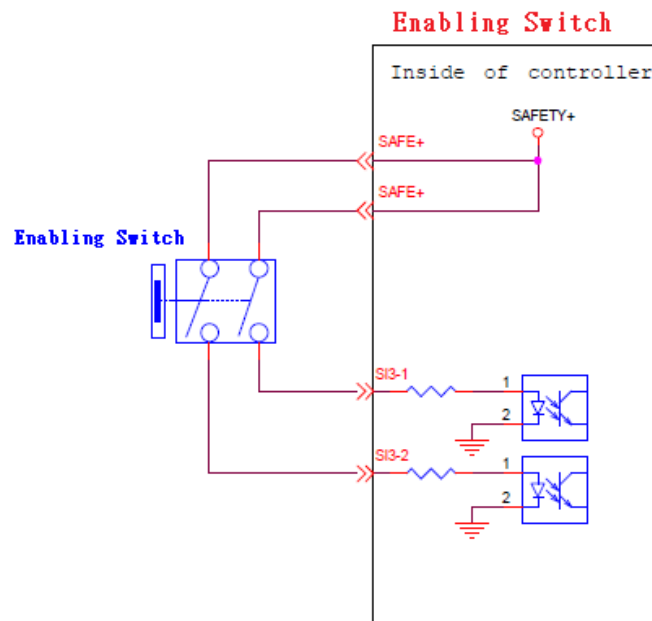


Figure 36: The Wiring Diagram Example of PNP Output Type Safety Device

### 5.3.1.2 Safety Output Connector

1. SO 0-1/ SO 0-2 to SO 7-1/ SO 7-2 are user defined Safety Output Port. Safety functions can be assigned to these ports.

For details about the safety functions, please refer to the *Safety Manual*.

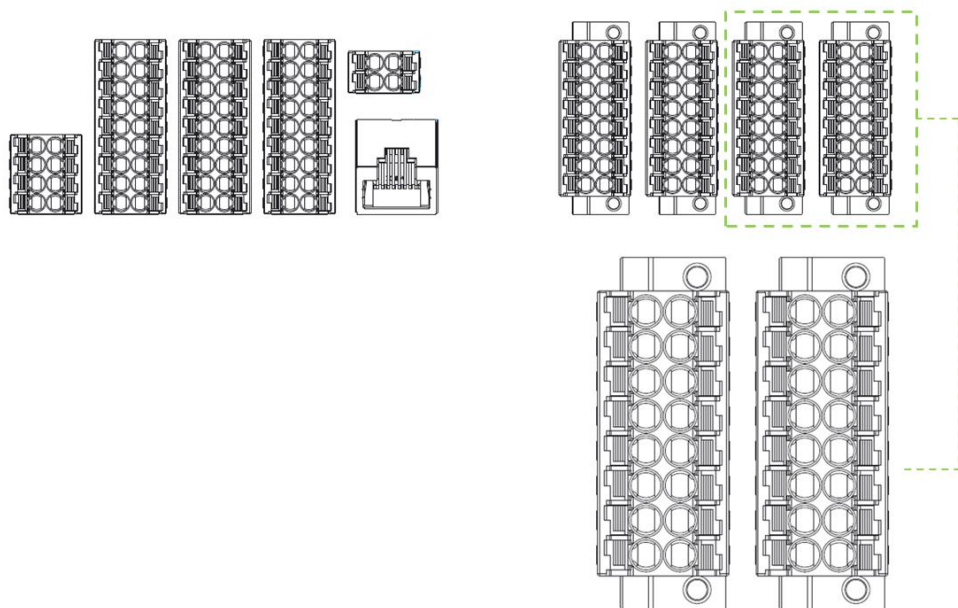


Figure 37: Safety Output Connector

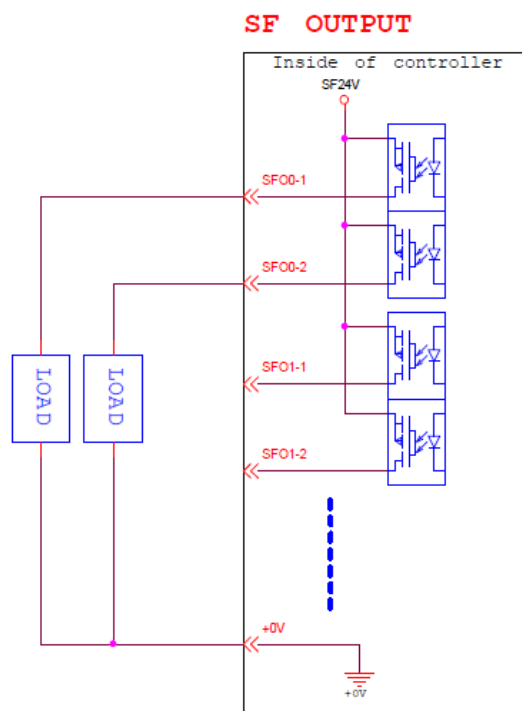


Figure 38: Safety Output Connector Wiring Diagram

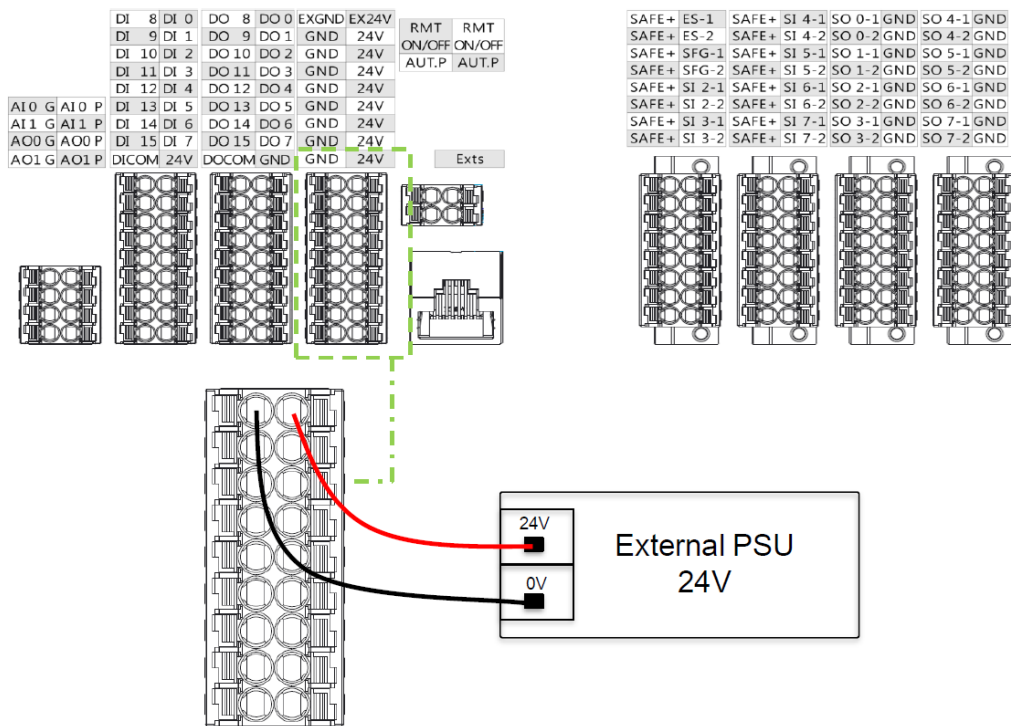
**DANGER:**



1. Do not connect the safety signals to a non-safety device without the fulfilled safety level. Failure to do so may result in injury or death due to a malfunction of the safety stop.
2. All safety I/Os come with dual redundant channel connectors. Maintain both redundant channels while they are paired and connected, so that any single fault on either channel will not result in failure of safety functions.
3. Before putting the robot to use, be sure to check the safety functions and check the safety functions on a regular basis.

5.3.2 Power Connector

1. During boot, the control box will check for an external 24V input. If none is found, then it will switch to the internal 24V supply.
2. The control box itself offers a 24V/2A output. If the 24V load exceeds 2A, it enters Safe Mode and disables the 24V output.
3. EX24V provides an external 24V input port. If the load exceeds 2A an external power supply can be used instead. The load on EX24V must not exceed 3.5A.



When a device such as a transistor output sensor is connected, NPN open collector transistor output can be used.

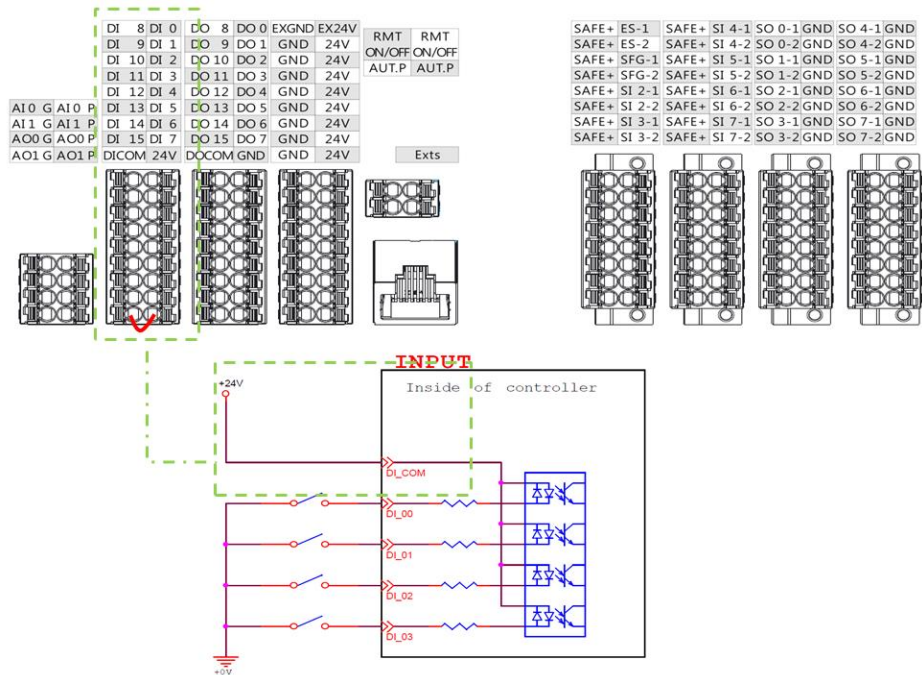


Figure 41: Set to Sink Input Type

- Set to Source input type

When a device such as a transistor output sensor is connected, PNP open collector transistor output can be used.

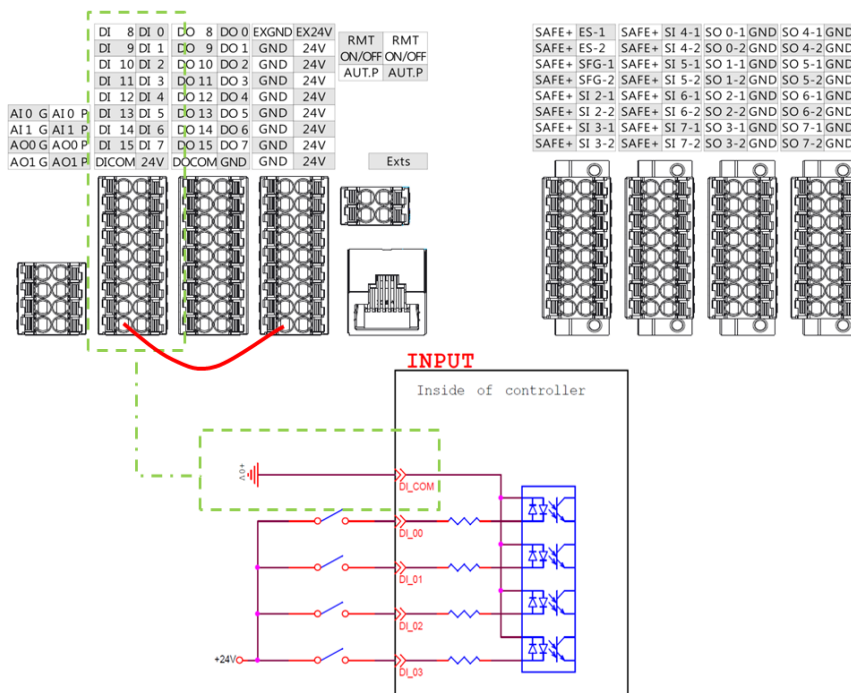


Figure 42: Set to Source Input Type

### 5.3.3.2 Digital Output

Outputs can be set to either sink output or source output by selection.

The maximum drive current is 300mA per channel. If the load exceeds 300mA, a relay should be used to drive it.

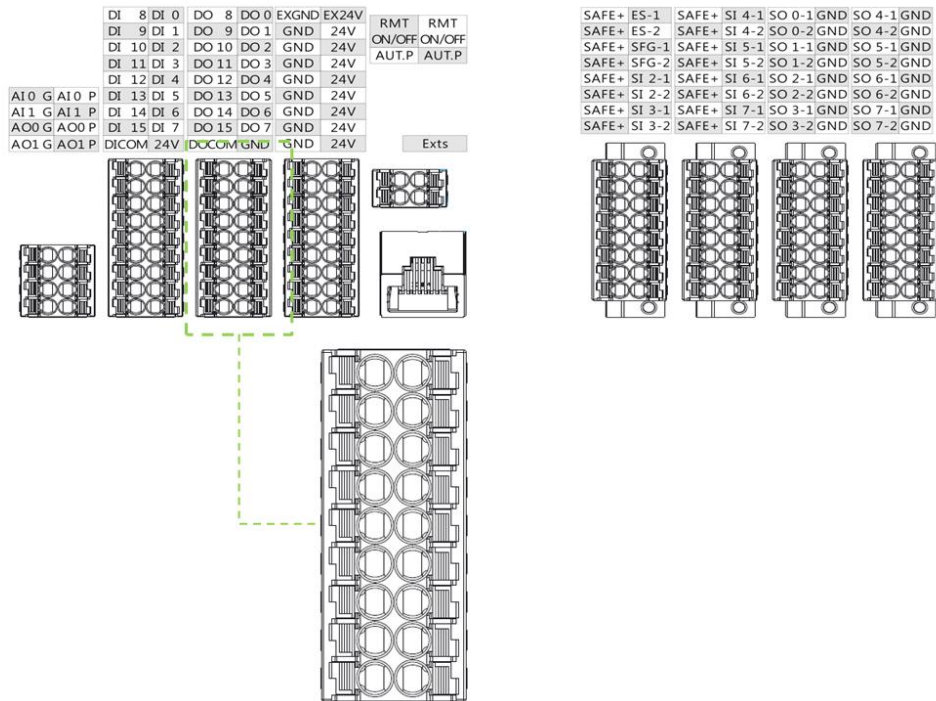


Figure 43: Digital Output

- Set to sink output type

Connect DO\_COM terminal to the minus side of the power supply.

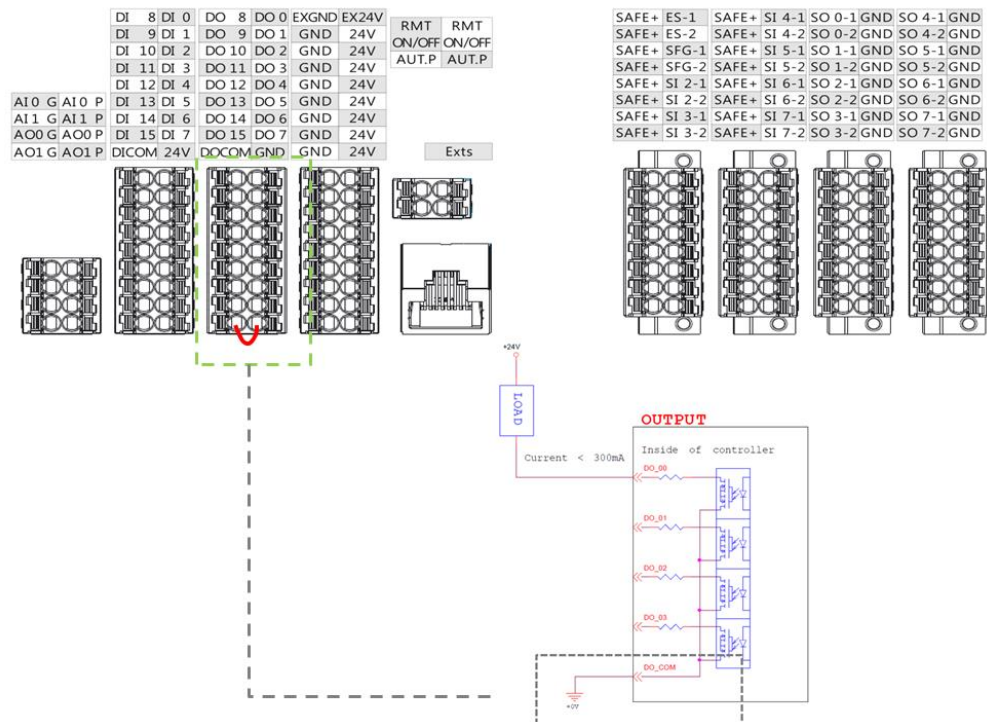


Figure 44: Set to Sink Output Type

- Set to source output type

Connect DO\_COM terminal to the plus side of the power supply.

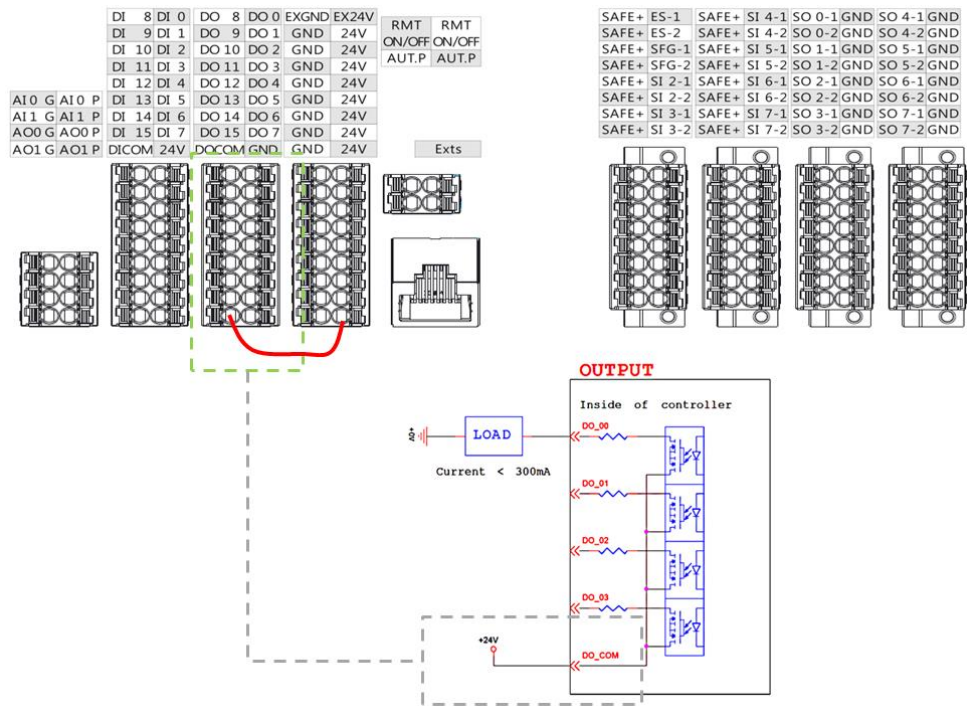


Figure 45: Set to Source Output Type

### 5.3.4 Analog In/Out

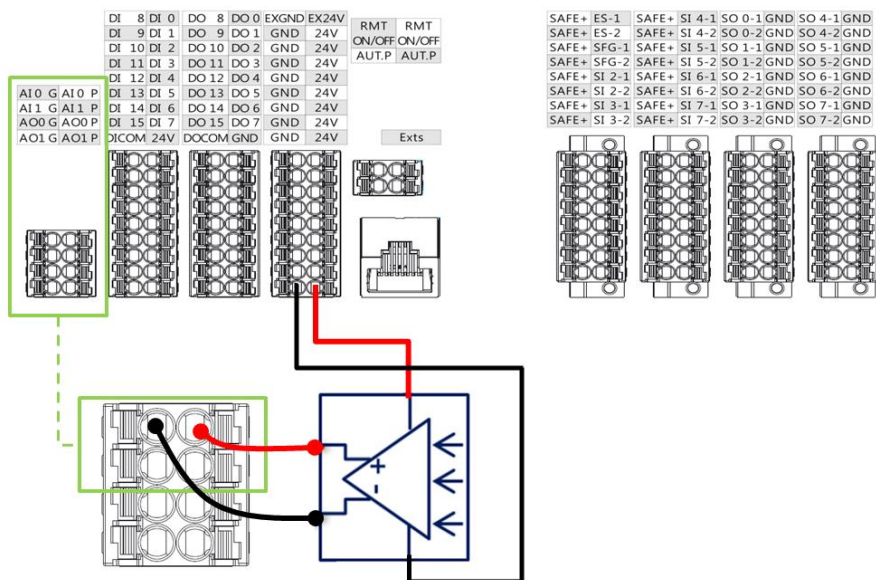


Figure 46: Analog In

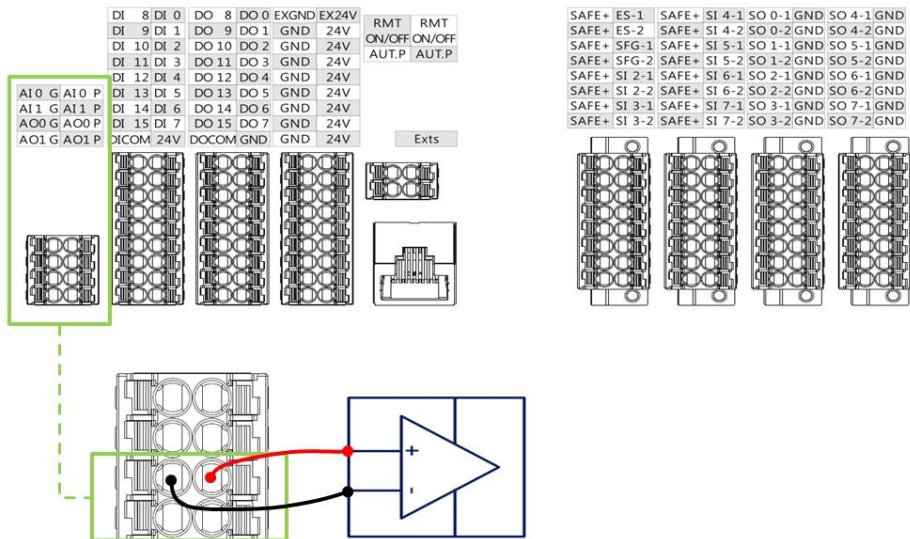


Figure 47: Analog Out

	Range	Resolution	Accuracy	Conversion Time
Analog In	+10.00V~-10.00V	11bit	≤ 0.2%	1 ms
Analog Out	+10.00V~-10.00V	11bit	± 0.07%	1 ms

Table 10: Analog In & Analog Out

### 5.3.5 System Remote Power ON/OFF

The function of Remote ON/OFF shares the same functionality of the Robot Stick Power Button. To power on or shut down the system, the user should trigger this function and hold it for at least one second.

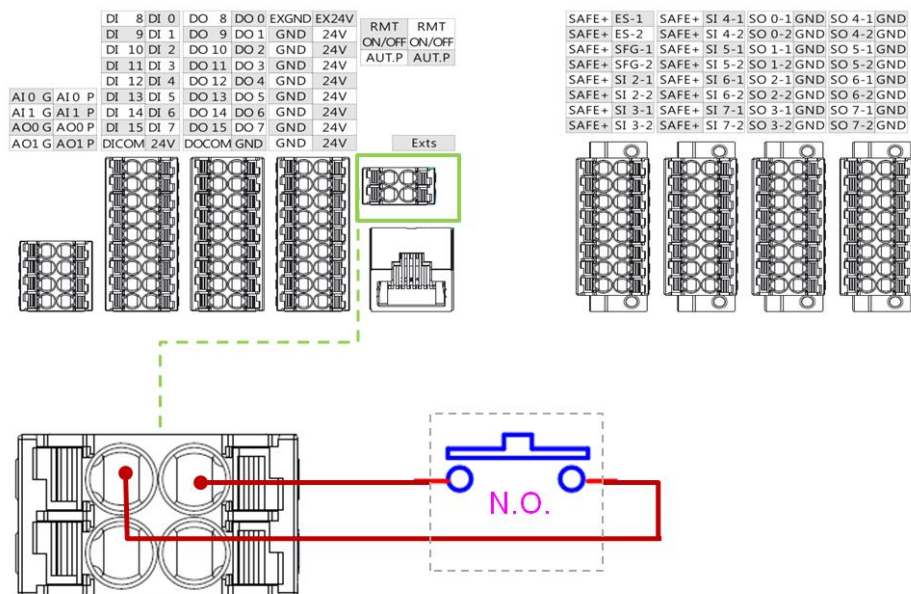


Figure 48: System Remote Power ON/OFF

### 5.3.6 AUTO MODE Play Confirm Port



The AUTO MODE play confirm port “AUT.P” is used for connection to a push button located outside of the safeguarded space to prevent a person from executing any project near the robot under AUTO MODE. The project can only be executed while “AUT.P” is in Close Status.

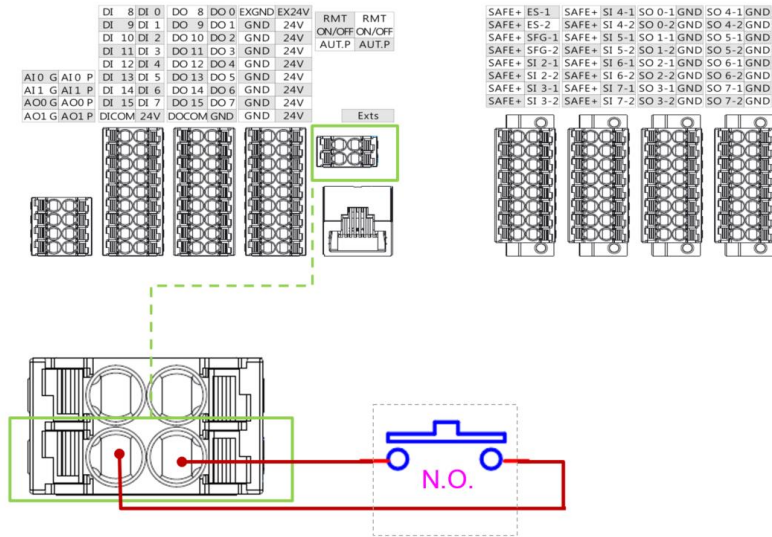


Figure 49: AUTO MODE Play Confirm Port



**WARNING:**

The additional separate confirmation action of a push button connected to “AUT.P” should be taken only when the push button is located outside the safeguarded space. This ensures that users will not execute the project near the robot. Users are still required to ensure all persons are outside the safeguarded space before activating the automatic mode and operation.

5.3.7 EtherCAT: For EtherCAT Slave I/O Expansion

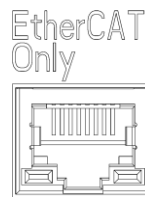


Figure 50: EtherCAT



**WARNING:**

The robot must be powered off when installing the EtherCAT Slave. Do not plug or unplug the connector while the robot is on.

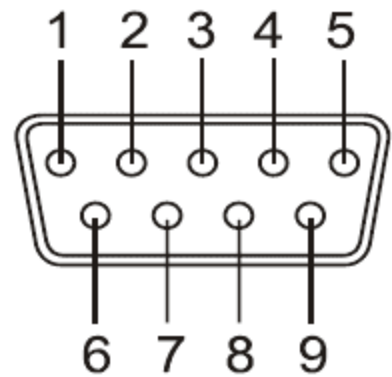
5.3.8 USB Port

The USB port of the control box is used for connecting a keyboard, mouse and external storage device. External storage devices should only be used for the import/export functions of TMflow. No other device

than those listed above should be connected. Be noted that the external storage device should be labelled **TMROBOT**.

### 5.3.9 COM Port

Type: DB9 Female			
BAUD: 300 to 115200			
Pin Number	RS-232	RS-485/422 Full Duplex	RS-485 Half Duplex
1	DCD	TX-	Data-
2	RXD	TX+	Data+
3	TXD	RX+	
4	DTR	RX-	
5	GND	GND	GND
6	DSR		
7	RTS		
8	CTS		
9	RI		



## 5.4 Tool End I/O Interface

There is one small connector on the tool end of the robot: The 8-pin connector can be used to configure digital I/O, analog Input, and RS485.

### 5.4.1 I/O Terminals

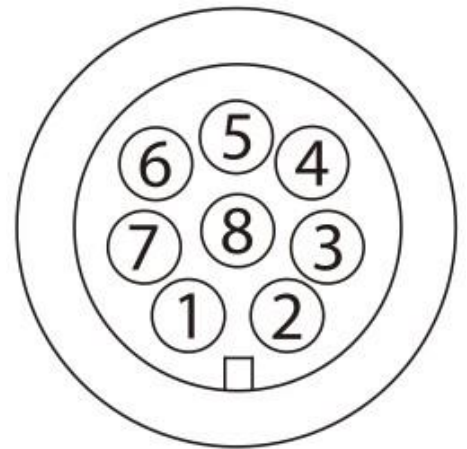
Output specifications of the tool end 24V:

Voltage:	24V	Typical:	1.5A
		Max:	2.0A (*)

(\*Do not output 2A for a duration of > 10 sec. The maximum duty cycle is limited to 10%. The average current should not exceed 1.5 A)

In the case of overloading, overload protection will be activated and the robot will turn off the 24V output power.

Pin	Wire color	Pin define	
1	Brown	+24v	24V output
2	Red	DI_0	Digital Input0
3	Orange	DI_1	Digital Input1
4	Yellow	DI_2	Digital Input2
5	Green	DO_0 AI	Digital Output0 Analog Input
6	Blue	DO_1 RS485+	Digital Output1 RS485+
7	Purple	DO_2 RS485-	Digital Output RS485-
8	Black	+0V	+0v



\*The M8/8PIN connector complies with the regulation of IEC 61076-2-104.

Table 11: 8-pin Digital I/O Connectors of Cable

Pin	Wire Color	Pin Define	
1	Brown	+24v	24V output
2	Red	DI_0	Digital input0
3	Orange	DI_1	Digital input1
4	Yellow	DI_2	Digital input2
5	Green	DO_0 AI	Digital Output0 Analog Input
6	Blue	DO_1 RS485+	Digital Output1 RS485+
7	Purple	DO_2 RS485-	Digital Output RS485-
8	Black	+0V	+0V



Table 12: 8-pin Digital I/O Connector of Robot

#### 5.4.2 Connecting Tool End Digital Output

The following figure shows how to connect the tool end digital output:

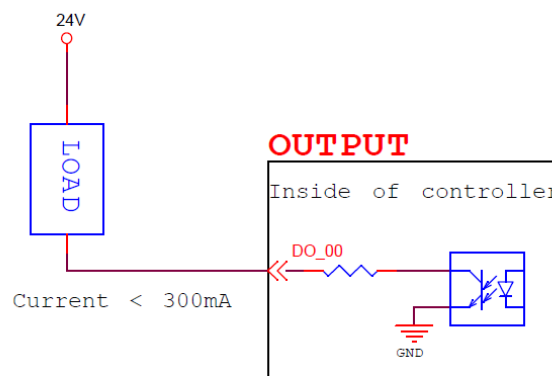


Figure 51: Connecting Tool End Digital Output

### 5.4.3 Connecting Tool End Digital Input

The following figure shows how to connect the tool end digital input:

NOTE: If sensors are connected directly then they should be NPN.

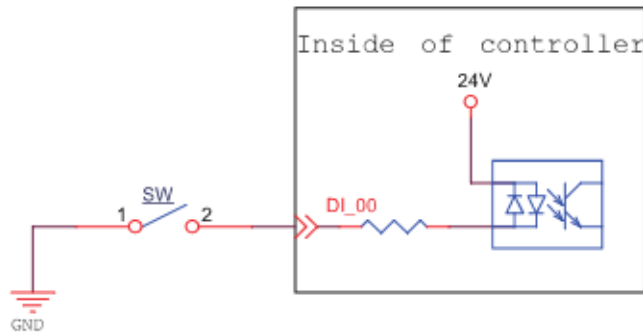


Figure 52: Connecting Tool End Digital Input

### 5.4.4 Connecting Tool End Analog Input

Range	Resolution	Accuracy	Conversion Time
+10.00V~-10.00V	11bit	≤ 0.2%	1 ms

Table 13: Analog Input Range

The following figure shows how to connect the tool end Analog input:

(Because AIN\_GND is connected to ground, when AIN is a dead contact, a pressure difference will occur, which is a normal phenomenon.)

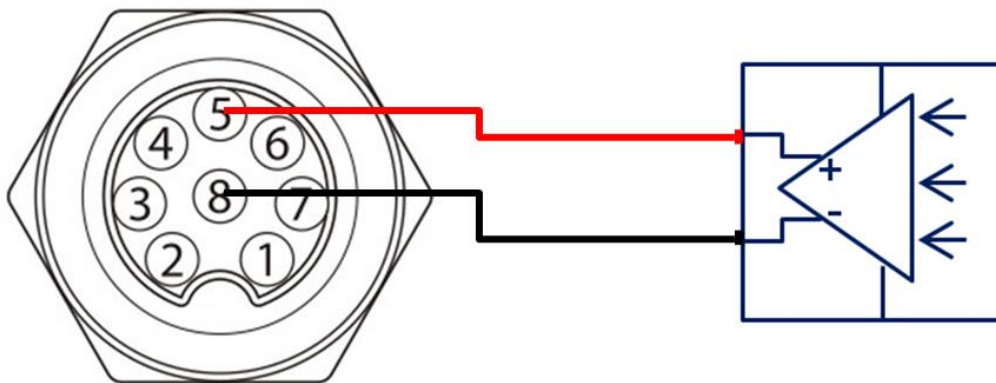


Figure 53: Connecting Tool End Analog Input

## 5.5 Control Box Interfaces

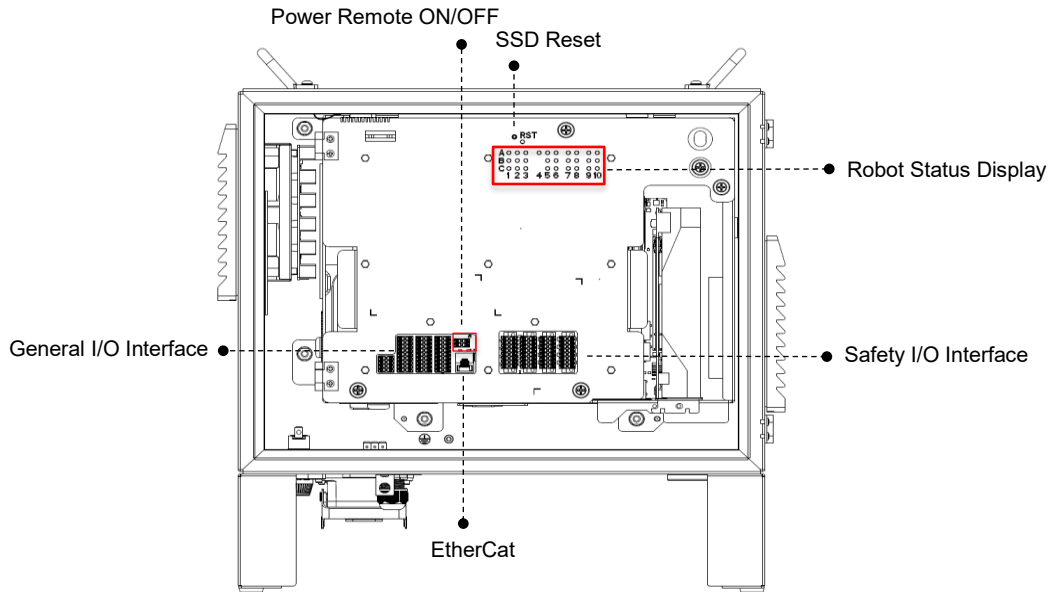


Figure 54: Front View of the Control Box (AC)

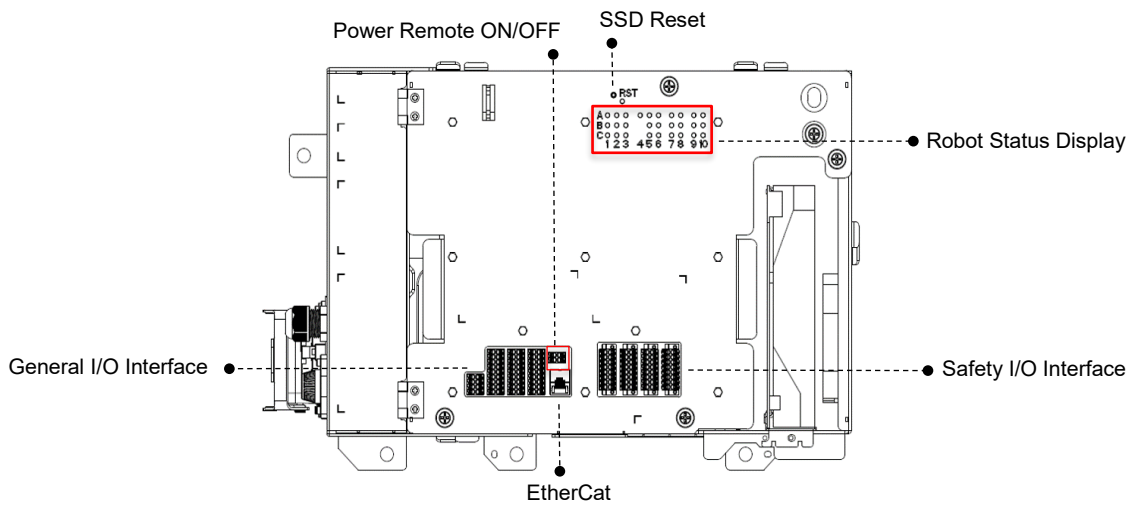


Figure 55: Front View of the Control Box (DC)

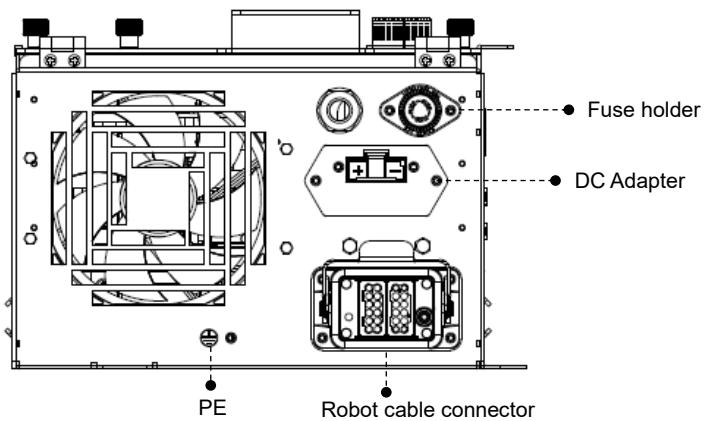


Figure 56: Side View of the Control Box (DC)

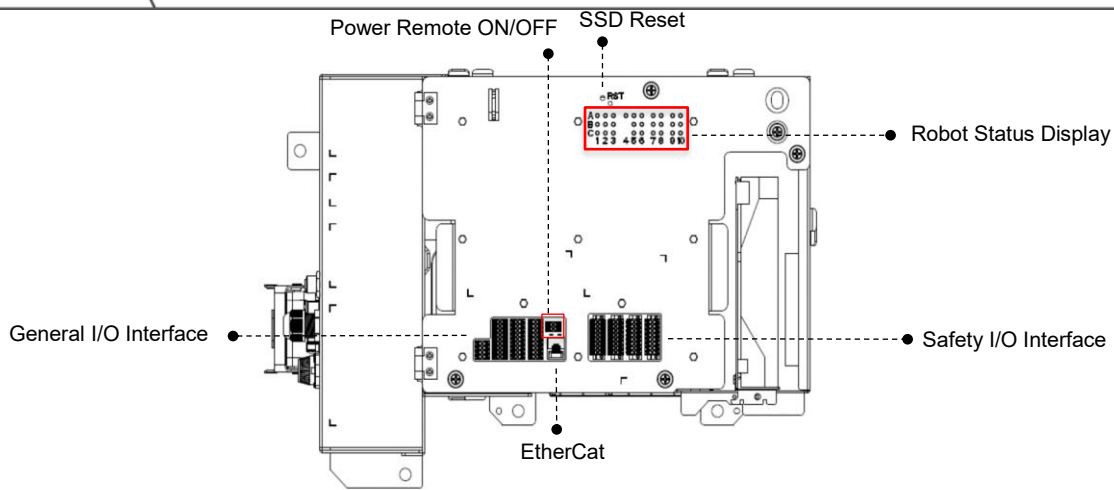


Figure 57: Front View of the Control Box (DC SEMI)

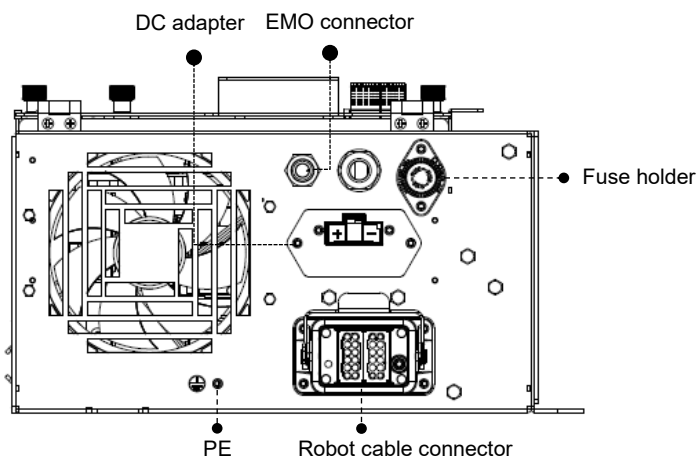


Figure 58: Side View of the Control Box (DC SEMI)



**CAUTION:**

The ETHERCAT interface can only be used to connect ETHERCAT devices. Improper connection may cause the robot to stop.

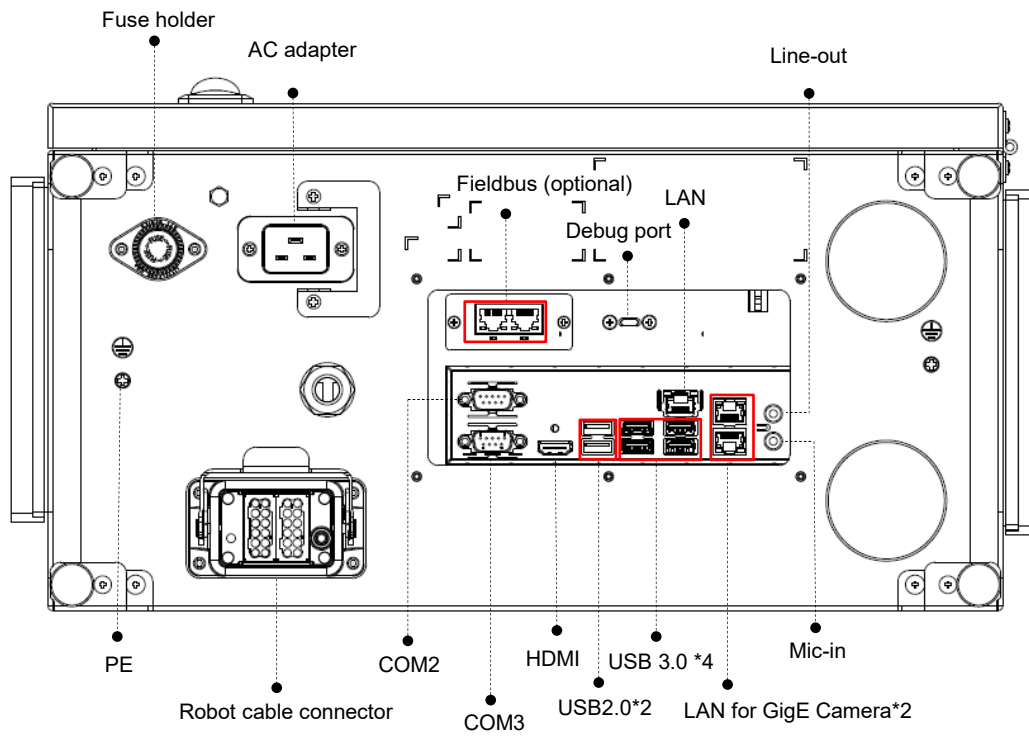


Figure 59: Interfaces of the TM5S / TM5S-X / TM7S / TM7S-X Series

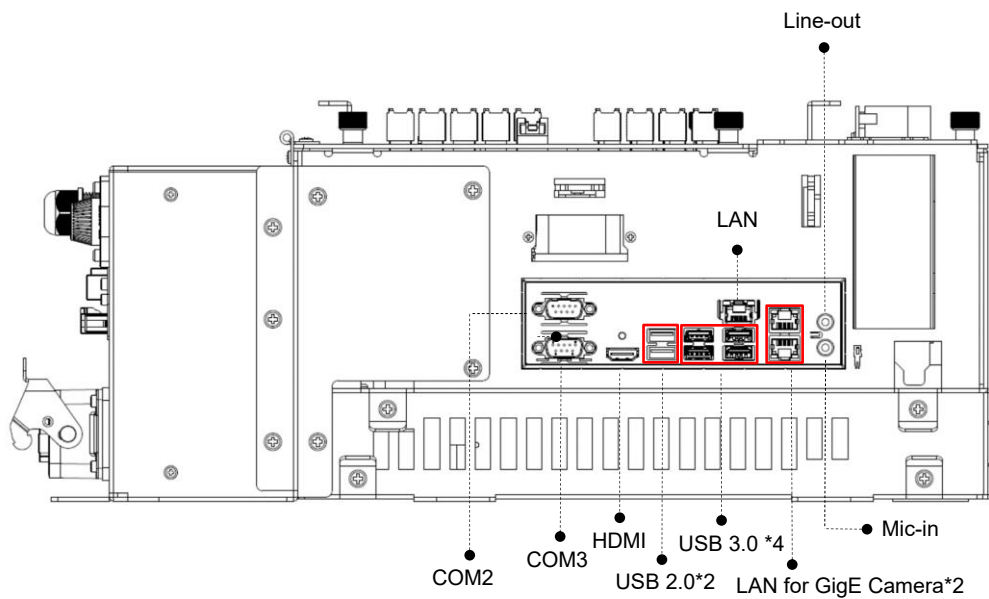


Figure 60: Interfaces of the TM5S-M / TM5S-MX / TM5S-M SEMI / TM7S-M / TM7S-M SEMI Series



## 5.6 Control Box Power Interface and Robot Interface

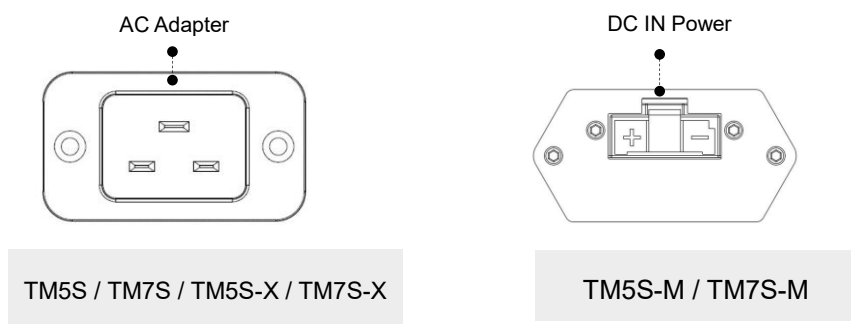
### 5.6.1 Control Box Power Interface

TM5S / TM7S / TM5S-X / TM7S-X:

The power cable of the control box has an IEC plug. The local power plug is connected to the IEC plug. The AC power switch must be in OFF state before plugging in or out the power cable.

TM5S-M / TM7S-M:

The power cable of the control box has Hirose (HRS) DF60 series connector.



AC Adapter: IEC plug

DC IN Power Connector: (HRS) DF60-3EP-10.16C

Figure 61: Control Box Power Interfaces

The power supply should be equipped with the following:

- Grounding
- Main fuse
- Residual current device (RCD)

It is recommended to install a master switch on the equipment power supply for robot applications for servicing and inspection.

Parameters	Minimum value	Typical value	Maximum value	Unit
Input voltage	100	-	240	VAC
External mains fuse (100V~120V)	-	-	15	A
External mains fuse (220V~240V)	-	-	8	A
Input frequency	43	-	63	Hz

Table 14: TM5S / TM7S / TM5S-X / TM7S-X Electrical Specifications

Parameters	Minimum Value	Typical value	Maximum value	Unit
Input voltage	24	-	60	V (DC)
Power consumption		220	1500	W

Table 15: TM5S-M / TM7S-M Series Electrical Specifications

\*If using DC24~47V power supply or operating at high speed, the Robot will automatically limit the total output power.



**DANGER:**

1. Ensure that the robot is correctly grounded (electrical grounding).
2. Ensure that the input current of the control box is protected by the Residual Current Device (RCD) and appropriate fuses.
3. Ensure that all cables are correctly connected before the control box is energized. Always use genuine power cables correctly.

### 5.6.2 Robot Interface

The following figure shows the connection interface of the robot. The cables of the robot are connected to the control box through the interface.

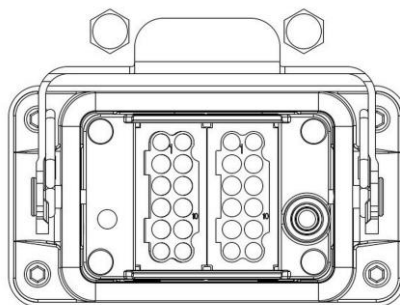


Figure 62: Robot Interface



**WARNING:**

1. When the robot is turned on, do not disconnect the cable of robot. When the cable of robot is not connected to the connection interface, do not turn on the robot.
2. Do not extend or modify the original cable of robot.
3. The cable of the robot is only suitable for a fixed installation. If the applications have the request for flexible or longer cable, contact the corporation.

### 5.6.3 SEMI Emergency Off Interfaces (SEMI series exclusive)

Refer below for the SEMI Emergency Off interfaces. The SEMI Emergency Off switch is connected with control box through the EMO port. Please remove the padlock on the power interface for the power cable or the power switch, and secure the padlock back to the box with the screws for shipping the box.

#### 5.6.3.1 TM5S-M SEMI / TM7S-M SEMI Series

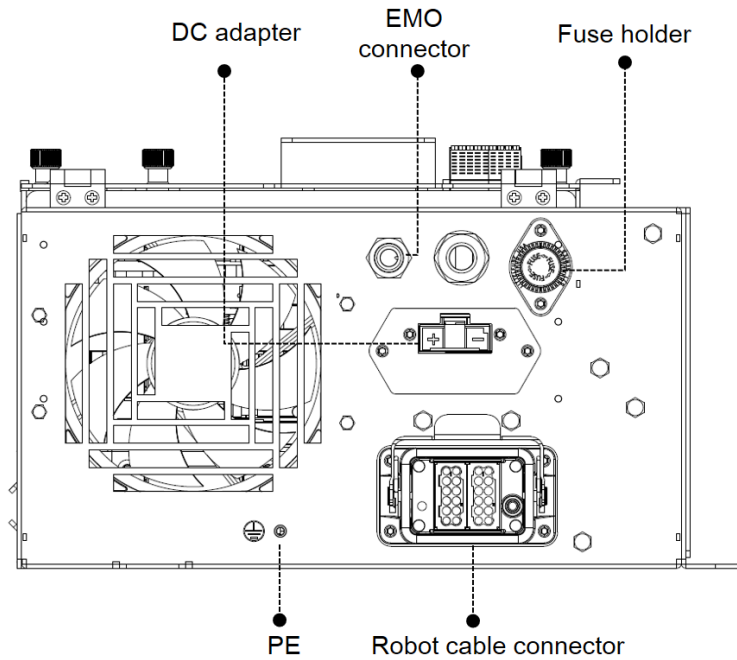


Figure 63: The TM5S-M SEMI / TM7S-M SEMI Emergency Off Interface



**CAUTION:**

For SEMI series, when SEMI Emergency Off Switch is not connected with EMO, the TM Robot cannot be booted.



**WARNING:**

When SEMI Emergency Off Switch is pressed, all power will be cut off immediately. This action impacts on the motion of the robot. Users should take with caution.

## 6. Unboxing & Installation

### 6.1 Overview

These instructions guide users of the TM Robot through the first set up. Users must thoroughly read and understand this Guide before performing the operations of this Chapter. Fail to do so may cause serious danger.



#### **WARNING:**

If this is your first time using the TM Robot, follow instructions in this chapter to perform installation and initial set up. If the robot has been implemented in the working environment, please note the following:

1. To avoid potential hazards after changing the original environment setting, verify with current responsible operator and to back up all necessary software settings and hardware wirings scheme.
2. Remove all of the control box's external I/O connections including the analog I/O, EtherCAT port and network port. Remove all air lines or external power lines connected to the optional equipment before Commissioning.
3. Remove all of the control box's connections to external devices / external storage devices through USB interface, Serial port, and network interface.
4. Unload any object/end effector attached to the [robot end of the flange](#), and any electrical connection between the end effector and end module / control box of the robot.
5. Unload any hardware attached to the robot arm.

### 6.2 Inspecting the Equipment

#### 6.2.1 Before Unpacking

Carefully inspect all shipping crates for evidence of damage during transit. If any damage is indicated, request that the carrier's agent be present at the time the container is unpacked

#### 6.2.2 Upon Unpacking

Before signing the carrier's delivery sheet, compare the actual items received (not just the packing slip) with your equipment purchase order and verify that all items are present and that the shipment is correct and free of visible damage.

If the items received do not match the packing slip or are damaged, do not sign the receipt, contact your corporation support as soon as possible.

If the items received do not match your order, contact your corporation support immediately. Inspect each item for external damage as it is removed from its container. If any damage is evident, contact your corporation support (see 1.2 How Can I Get Help?).

Retain all shipping containers and packaging materials. These items may be necessary to settle claims or at a later date, to relocate equipment.

## 6.3 Unboxing

### 6.3.1 Carton Types

The TM Robot product comes with 2 cartons: the robot arm carton, and the control box carton, as shown below. Also, a SEMI Emergency OFF switch carton will come along with the SEMI series. For TM5S-M SEMI or TM7S-M SEMI, there will be an additional carton comes with the SEMI Emergency OFF Box. Refer below for the ratio of the cartons. The actual sizes of the cartons may differ from measurements

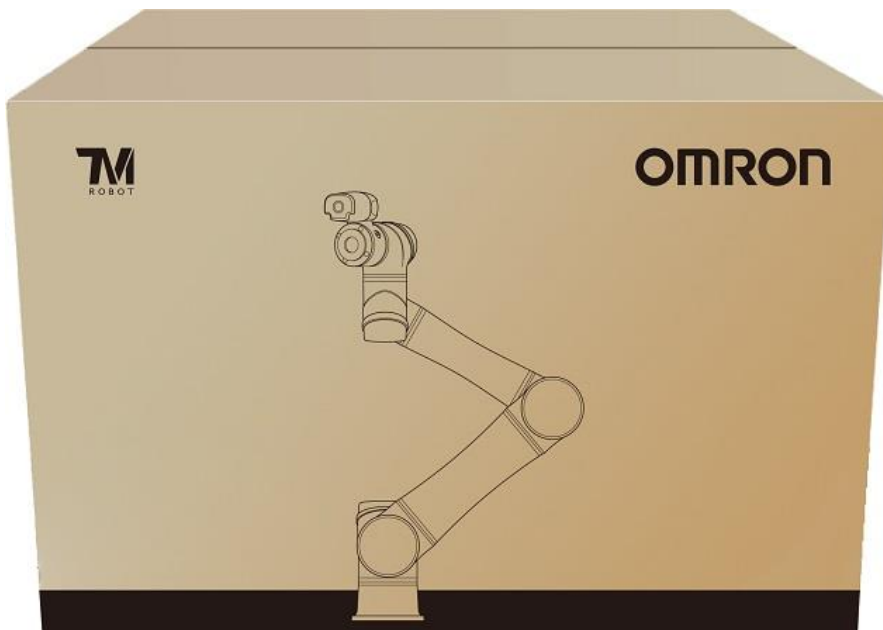


Figure 64: Robot Arm Carton

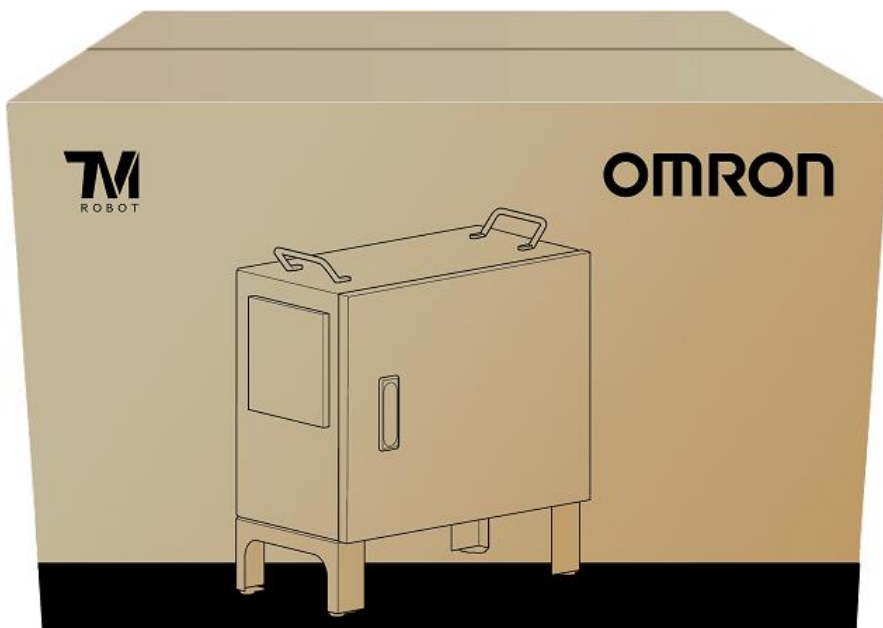


Figure 65: Control Box Carton (AC)



Figure 66: Control Box Carton (DC and DC SEMI)

### 6.3.2 Contents of Each Carton

Each carton has the following contents. Check them when you unpack the cartons for the first time. If any item is missing, contact your vendor.

The robot arm carton contains:


	<p><b>Robot arm</b></p> <p>Cable length: 300 cm</p>
---	---

Table 16: The Robot Arm Carton Contents

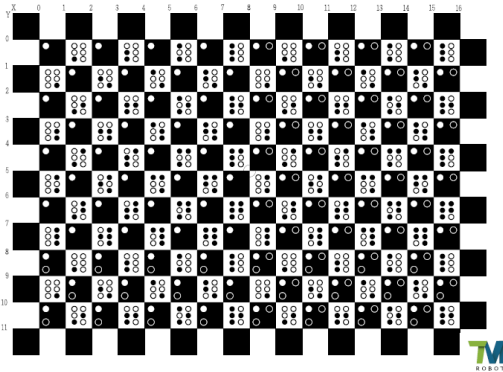
The control box carton contains:



Control box



Product Brief Information



Calibration Plates

(Peel the protective wrap off before using.) \*The Calibration Plate comes only with TM Robots fitted with the hand-eye camera.



IO cables

(One 8-pin digital I/O cable)  
Length: 100 cm


	<p style="text-align: center;"><b>Landmark</b></p> <p>(Two Landmarks. Peel the protective wrap off before using.)</p> <p>*The Landmark comes only with TM Robots fitted with the hand-eye camera.</p> <p>Landmark size: 50.5 * 50.5 mm (tolerance <math>\pm</math> 0.1 mm)</p>
	<p style="text-align: center;"><b>Power cord of the control box (TM5S / TM7S / TM5S-X / TM7S-X)</b></p> <p>(3 cable, Type B, G, F)</p> <p>Cable Length: 180 cm</p>
	<p style="text-align: center;"><b>Power cable of the control box (TM5S-M / TM7S-M)</b></p> <p>(1 cable)</p> <p>Length: 120 cm</p>
	<p style="text-align: center;"><b>Ground Wire</b></p> <p>( 2 wires )</p> <p>Length: 200 cm</p>
	<p style="text-align: center;"><b>Jumper Wire</b></p> <p>(1 pair)</p> <p>Wire Length: 3 cm</p>

Table 17: The Control Box Carton Contents



The SEMI Emergency OFF Switch carton contains:


 A yellow emergency stop switch with a red button and a black cable. The cable is coiled and has a metal connector at the end. The switch has 'EMERGENCY OFF' printed on it.	<p>SEMI Emergency OFF Switch (SEMI series exclusive)</p> <p>(1 pack) Cable length: 300 cm</p>
---	---

Table 18: The SEMI Emergency OFF Switch Carton Contents

## 6.4 Installing Your Robot

The TM Robot arm cannot stand independently after being removed from the carton. Therefore, prepare the mounting base with the corresponding holes as described in 4.2.1.5 Robot Arm Installation, and follow the instructions below to install the robot.



**WARNING:**

At the installation site, at least two people should simultaneously perform installation of the robot; otherwise you risk robot arm damage or personal injury. Do not install the robot alone.



**WARNING:**

Do not attempt to move any robot links until the robot has been secured in position. Failure to comply could result in the robot falling and causing either personnel injury or equipment damage.

### 6.4.1 Remove the Control Box

After checking the contents, remove the contents in order and perform installation.

Control box carton:

- Remove the Landmarks
- Remove the power cable of the control box
- Remove the control box (At least two people should remove the control box from the carton. Refer the figure below for the correct holding positions.)
- Connect the power cable to the control box
- Place the control box near the robot base
- Mount the control box in any direction (as long as the box is securely mounted), with a spacing of at least 50 cm for the vents on both sides to facilitate cooling



Figure 67: Moving the Control Box (1/2)

The control box should be carried by at least two people. One should hold on to the control box handles, while the other should carry the foot stands. Before handling, the cable of the robot stick should not be pulled to avoid any performance degradation.

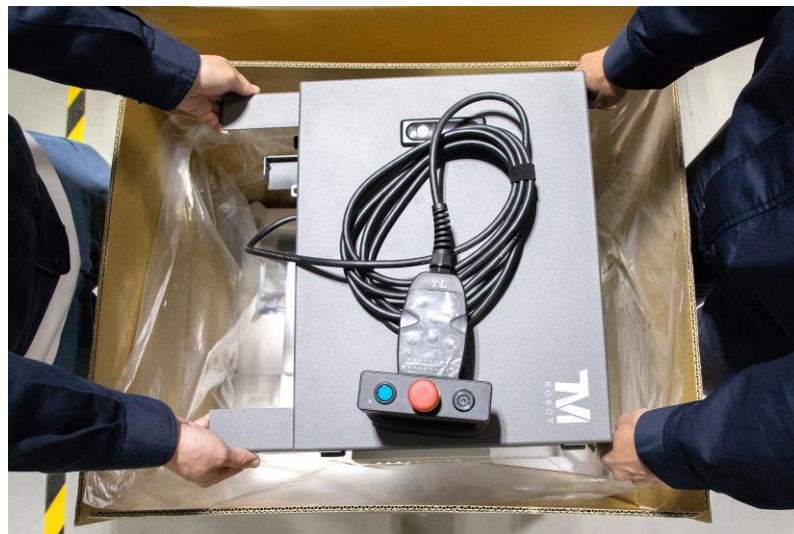


Figure 68: Moving the Control Box (2/2)



**WARNING:**

At this stage, do not connect the power cable of the control box to any electrical outlet, or it may cause equipment damage.

#### 6.4.2 Verification Before Removal of the Robot Arm

The TM Robot arm cannot stand independently after being removed from the carton. Prepare four screws (M10 \*4) that are used to attach the robot to the base near the robot base in advance. If the base is designed with corresponding pinholes, mount them to the base.

#### 6.4.3 Removal of the Robot Arm and Tightening

At least two people should remove the robot arm from the carton. For the correct holding positions, refer to the figure below. Place the robot on the mounting base. If the mounting base is designed with connection pins, align them with the pinholes of the robot base module. Tighten two locking screws with metal washers for the robot base in a diagonal sequence, and then tighten the other two locking screws. Follow the tightening torque recommended in 4.2.1.5 Robot Arm Installation.



Figure 69: Moving the Robot Arm (1/2)

The Robot Arm itself should be handled with at least two people. One person should carry the Lower arm and Upper arm, and the other should hold on to the position between the base and 1<sup>st</sup> Joint as well as the 6<sup>th</sup> Joint. Before the Robot Base is fastened with screws tightly, the Robot Arm should always be supported to avoid tipping.



Figure 70: Moving the Robot Arm (2/2)



**WARNING:**

When the robot is installed to the base, make sure two people work together to install it. If the base is designed with pinholes, pay attention to your safety to avoid pinching. If you do not have connection parts at hand, such as the connecting pins and screws, do not leave the robot without completely tightening it (with the 4 screws completely tightened). One person should continuously support the robot arm while the other person goes to get required parts. Otherwise, the robot arm may tip, result in equipment damage or personal injury.

#### 6.4.4 Connect the Robot and the Control Box

1. Connect the cable from the robot to the robot interface of the control box.
2. Connect the power cable between the wall socket and the power interface of the control box.

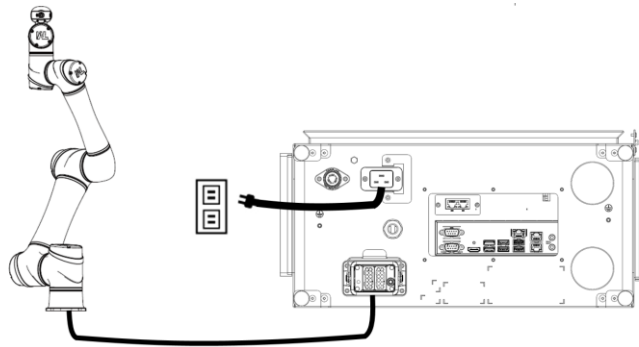


Figure 71: Connecting the Robot and the Control Box



**IMPORTANT:**

Please make sure the bend radius of the cable is larger than the specified value above.



**WARNING:**

1. Ensure that all cables are correctly connected before the control box is energized. Always use genuine power cables correctly.
2. When the robot is turned on, do not disconnect cables of the robot. When cables of the robot are not connected to the connection interface, do not turn on the robot.
3. Do not extend or modify the original cables of the robot.

#### 6.4.5 Mounting Direction

Once the robot is positioned, users should, according to its application, determine its mounting direction

---

by setting the three angles of the base frame relative to the gravity. Improper mounting direction may result in the robot moving in an unexpected way and further hitting a human body. For instructions on how to set the three angles of the base frame, please refer to *3.3.7 Mounting Direction in Software Manual TMflow*.

## 7. Maintenance and Repair

The following table gives a summary of the preventive maintenance procedures and guidelines:

Items	Period	Remark
Warning, Safety labels	1 week	Ensure the labels are present and legible. Replace them if necessary.
Check Filter	1 month	Replace the filter every 3 months.
Check Emergency Stop Functions, Check Enabling Switch Functions, Check Reset Functions, Check Safeguard Functions, Check Input Functions, Check Output Functions,	1 month	Refer to <i>Safety Manual</i>
Check Robot Mounting Screws	3 months	Refer to 4.2.1.5 Robot Arm Installation
EMO button (SEMI version only)	1 month	Press the EMO button to check whether power has been switched off.

Table 19: Summary of the Preventive Maintenance Procedures and Guidelines

Only the legal distributor or authorized service center should repair the TM Robot. Users should not repair it by themselves.

### **DANGER:**

Before performing maintenance or service record the details of each setting for the robot for normal operation. Make sure that each setting satisfies the original conditions before resuming normal operation, including but not limited to:



- Safety Software Settings
- Safety I/O
- Preset operation project
- TCP Settings
- I/O Settings
- I/O Wiring

### **IMPORTANT:**

After the maintenance is completed (including the change of component parts or addition of optional equipment for both hardware and software to the robot), make sure all the tests and examination listed below are carried out:

1. The functional testing of Emergency Stop functions
2. The functional testing of Safeguard functions
3. The functional testing of Enabling Switch functions
4. The functional testing of Force and Torque Limit functions
5. The functional testing of Speed Limit functions
6. The functional testing of Soft Axis Limit functions



#### 7. The functional testing of safety output functions

The robot and the system should perform either Category 1 Stop or Category 2 Stop concerning these different safety functions. For details about the stop categories, trigger and resume method of the safety functions mentioned above, see the corresponding safety system version of the *Safety Manual*.

**NOTE:**

The filter must be replaced regularly to maintain efficiency. Please contact the Corporation to purchase the filter if in demand.

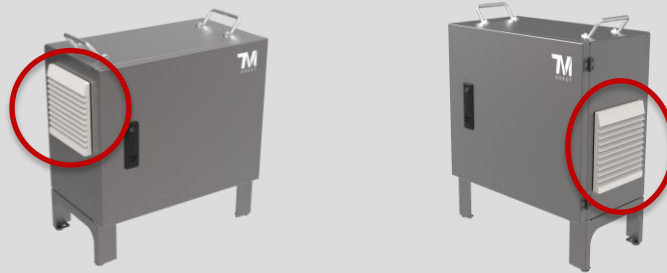


Figure 72: Air Filter Tray (the circled parts)

How to change the filter:

1. Turn off the power of the control box.
2. Slide the lid out of the track.



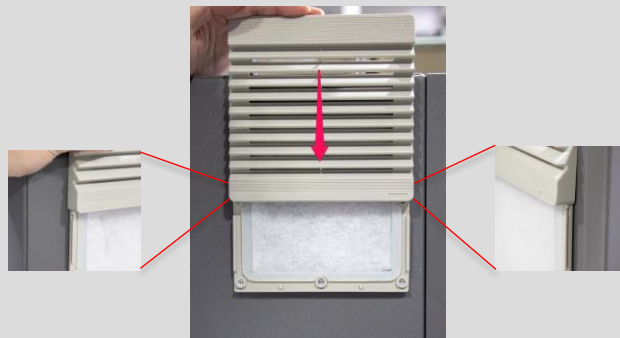
3. Remove the filter.



4. Install the new filter.



5. Align the lid on both sides of the track and slide down the lid until it stops.





## Appendix A. Technical Specifications

Model	TM5S	TM7S	TM5S-X	TM7S-X	TM5S-M	TM7S-M	TM5S-MX	TM7S-MX
Weight	23.9 kg	22.9 kg	23.6 kg	22.6 kg	23.9 kg	22.9 kg	23.6 kg	22.6 kg
Maximum Payload	5 kg	7 kg	5 kg	7 kg	5 kg	7 kg	5 kg	7 kg
Reach	900 mm	700 mm	900 mm	700 mm	900 mm	700 mm	900 mm	700 mm
Joint ranges	J1, J2, J4, J5, J6	+/- 360°						
	J3	+/- 158°	+/- 152°	+/- 158°	+/- 152°	+/- 158°	+/- 152°	+/- 158°
Joint speed	J1, J2, J3	210°/s						
	J4, J5	225°/s						
	J6	450°/s						
Typical Speed	1.4 m/s	1.1 m/s	1.4 m/s	1.1 m/s	1.4 m/s	1.1 m/s	1.4 m/s	1.1 m/s
Repeatability	+/- 0.03 mm							
Degrees of freedom	6 rotating joints							
I/O ports	Control Box	Digital In: 16 / Digital Out: 16 Analog In: 2 / Analog Out: 2						
	Tool Conn.	Digital In: 3 / Digital Out: 3 DO_0 (DO-0/AI) / DO_1 (DO-1/RS485+) / DO_2 (DO-2/RS485-)						
I/O power supply	24V 2.0A for control box and 24V 1.5A for tool							
IP classification	Robot Arm	IP54						
	Control Box	IP54				N/A		
Power consumption	Typical: 240 watts Rating power (AC and DC): 250 watts							
Temperature	0° to 50°C, 85% max. ( with no condensation)							
Cleanroom class	ISO Class 3							
Power supply	100 to 240 VAC, 50 to 60 Hz 24 to 60 VDC							
I/O Interface	2×COM, 1×HDMI, 3×LAN, 2×USB2.0, 4×USB3.0							
Communication	RS232, Ethernet, Modbus TCP/RTU (master & slave) PROFINET (optional), EtherNet/IP (optional)							
Programming Environment	TMflow, flowchart-based, and script-based							
Certification	CE, SEMI S2 (optional)							
Robot Vision								
Eye in Hand (Built in)	1.2M/5M pixels, color camera	N/A			1.2M/5M pixels, color camera		N/A	
Eye to Hand (Optional)	Support Maximum 2 GigE 2D cameras*							

\*Refer to the official website of TM Plug&Play for camera models compatible to TM Robot.

Table 20: Technical Specifications

## OMRON Corporation Industrial Automation Company

Kyoto, JAPAN

Contact : [www.ia.omron.com](http://www.ia.omron.com)

### Regional Headquarters

#### OMRON EUROPE B.V.

Wegalaan 67-69, 2132 JD Hoofddorp  
The Netherlands  
Tel: (31) 2356-81-300 Fax: (31) 2356-81-388

#### OMRON ASIA PACIFIC PTE. LTD.

438B Alexandra Road, #08-01/02 Alexandra  
Technopark, Singapore 119968  
Tel: (65) 6835-3011 Fax: (65) 6835-3011

#### OMRON ELECTRONICS LLC

2895 Greenspoint Parkway, Suite 200  
Hoffman Estates, IL 60169 U.S.A.  
Tel: (1) 847-843-7900 Fax: (1) 847-843-7787

#### OMRON ROBOTICS AND SAFETY TECHNOLOGIES, INC.

4225 Hacienda Drive, Pleasanton, CA 94588 U.S.A.  
Tel: (1) 925-245-3400 Fax: (1) 925-960-0590

#### OMRON (CHINA) CO., LTD.

Room 2211, Bank of China Tower, 200 Yin Cheng Zhong Road,  
PuDong New Area, Shanghai, 200120, China  
Tel: (86) 21-6023-0333 Fax: (86) 21-5037-2388

Authorized Distributor:

©OMRON Corporation 2023 All Rights Reserved.  
In the interest of product improvement,  
specifications are subject to change without notice.

Cat. No. I686-E-01 0723 (0723)

29888-100A