

www.hisntd.com

Guns & Artillery Systems

SNT Dynamics Defense Products



 **SNT Dynamics**



**A company
beneficial
to world through
management**

Contents

6	KM120	16	TGS
8	CTWS	18	KM168
10	K40	20	KM39A3
12	40L/70K	22	K6
14	KKCB	24	RCWS




Defense

**Powerpacks &
Drive Systems**

**Guns & Artillery
Systems**

**Protection
Weapons**

We are committed to realize customer satisfaction
by making products with the highest quality.



Facilities

Headquarter

Address	599, Nammyeon-ro, Seongsan-gu, Changwon-si, Gyeongnam, Korea
Tel	+82-55-280-5000
Fax	+82-55-280-5171
Products	Defense Products, Auto Parts, Machine Tools

Seoul Office

Address	124, Teheran-ro, Gangnam-gu, Seoul, Korea
Tel	+82-2-3279-5000
Fax	+82-2-702-5130
Function	Marketing

Guns & Artillery Systems

KM120	 <p>120mm Mortar System</p>	Caliber	120 mm
		Type	Rifled, Recoiled, Mounted
		Maximum Rate of Fire	10 rds/min for 3 min
		Sustained Rate of Fire	3 rds/min
		Maximum Firing Range	13 km (RAP)
CTWS	 <p>40mm Cased Telescoped Weapon System</p>	Caliber	40 mm
		Operating	Rotating Chamber, External Driven
		Rate of Fire	Max. 150 rds/min
		Weight	470 kg
		Ammunition	Cased Telescoped
K40	 <p>40mm Automatic Gun</p>	Caliber	40 mm
		Weight	720 kg
		Rate of Fire	300 rds/min
		Effective Firing Range	6,000 m(Ground), 4,000 m (Air)
		Size(W×H×L)	700 × 1,343 × 3,893 mm
40L/70K	 <p>40mm Automatic Gun(Twin/Single)</p>	Caliber	40 mm
		Type	Twin or Single Barrels
		Effective Firing Range	4,000 m
		Rate of Fire	300 rds/min ×2 (Twin)
		Feeding	Linkless
KKCB	 <p>30mm Automatic Gun</p>	Caliber	30 mm
		Effective Firing Range	3,000 m
		Rate of Fire	600 rds/min ×2 (Twin)
		Muzzle Velocity	1,080 m/s
		Recoil Force	1,400 kgf

Best Technology & Best Quality

TGS	 <p>20mm Turreted Gun System</p>	Caliber	20 mm
		Type	3-Barrels Gatling Gun
		Operating	External Driven
		Rate of Fire	750 rds/min
		Feeding	Link-Belt Feeding, KM14A2
KM168	 <p>20mm Gatling Gun</p>	Caliber	20 mm
		Type	6-Barrels Gatling Gun
		Gun Weight	118 kg
		Rate of Fire	2,700 ~ 3,000 rds/min
		Effective Firing Range	2,200 m
KM39A3	 <p>20mm Automatic Gun</p>	Caliber	20 mm
		Type	Revolver
		Operating	Gas Operating
		Rate of Fire	1,500 rds/min
		Feeding	Link-Belt
K6	 <p>12.7mm(.50 Cal.) Heavy Machine Gun, QCB</p>	Caliber	12.7 mm
		Type	Quick Change Barrel
		Rate of Fire	500~600 rds/min
		Effective Firing Range	1,830 m
		Gun Weight	38 kg
RCWS	 <p>Remote Controlled Weapon Station</p>	Traverse Range	N × 360°
		Elevation Range	-20° ~ +60°
		Driving Max Speed	60 °/sec
		Aim Accuracy	< 0.3 mrad
		Day Camera	5km Detection (Can be extended if necessary)

KM120

120mm Mortar System



Caliber 120 mm

Type Rifled,
Recoiled,
Mounted

Feature

- To enable installation into low weight class vehicles, KM120 is equipped with a recoil braking system to reduce recoil force.
- To reduce the reaction time and the manpower required for its operation, KM120 is equipped with a fully embedded Fire Control System (FCS), a combined Navigation Systems (INS and GPS), an automated electrically driven pointing system and a semi-automatic loading device.

Specification

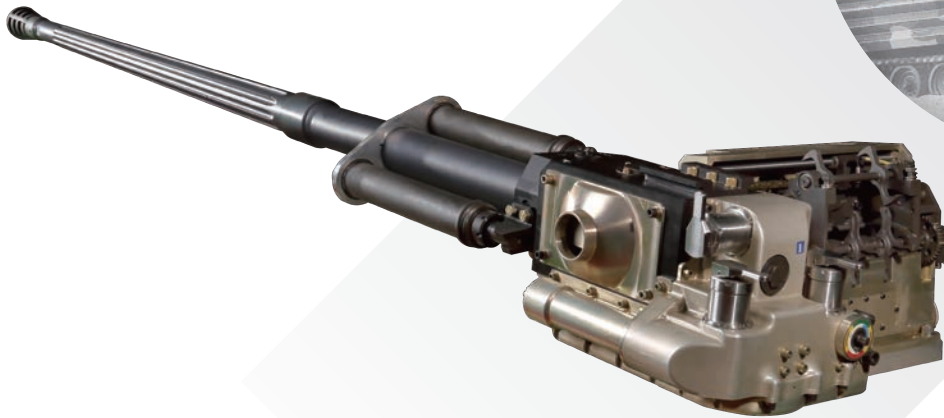
Item	KM120
Maximum Rate of Fire	10 rds/min for 3 min
Sustained Rate of Fire	3 rds/min
Maximum Firing Range	13 km (RAP)
Firing Coverage	45° ~ 70° (Ele), 360° (Trv)
Loading	Semi-Automatic Loading
Firing Mode	Drop / Percussion
Reaction Time for 1st Round	30 sec (Approx.)
Power	24 VDC (Full Electric Drive)
Weight	< 1,400 kg
Ammunitions	HE, RAP, WP, ILL, TP

Application



CTWS

40mm Cased Telescoped Weapon System



Caliber 40 mm

Operating Rotating Chamber,
External Driven

Feature

- 40mm Cased Telescoped Weapon System is the newly designed next generation gun, firing CTA (Cased Telescoped Ammunition) with the rotating chamber. Compared to conventional 40mm guns, the weight and the number of parts have been reduced by more than 30~50 %.
- The Gun System has a rate of fire up to 150 rounds per minute, being able to fire both in single and burst modes, which operates on an external motor, synchronized with the rotating chamber and the feeding system. And the Gun System features a single feed-multi ammunition system.
- The Gun System can check and display the type and numbers of the ammunitions available on the feeding route, which can select a proper ammunition depending on targets.

Specification

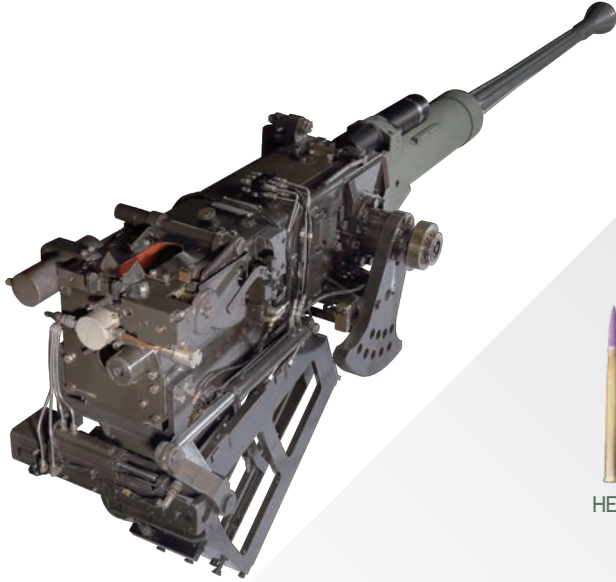
Item	CTWS
Rate of Fire	Max. 150 rds/min
Firing Mode	Single, Burst
Feeding	Linkless, Single Feed-Multi Ammunitions
Weight	470 kg With 48 Rounds Magazine & Controller
Ammunition	Cased Telescoped Ammunitions (APFSDS, HEI)

Application



K40

40mm Automatic Gun



HE APFSDS MMFA

Caliber 40 mm

Weight 720 kg

Feature

- K40 was designed to meet specific operational requirements of Korean Army for infantry fighting vehicles by improving fire-power and operational capabilities. It is now mounted on K21 KIFV(Korea Infantry Fighting Vehicle) as the main armament, controlled by fire control system for anti-air and anti-tank.
- The gun itself is fitted on a two-man turret with a commander sitting on the left and a gunner on the right.
- K40 can be operated by either electric-hydraulic or manual in case of emergency, and is reloaded from a down-docking magazine pumped by a hoist, so that it can reduce the remaining ammunitions after fire stops.
- The magazine can hold a total of 24 different types of ammunition including PFHE, APFSDS and MMFA in each 3 separate compartments, and proper ammunitions can be selected by quickly shifting the magazine, depending on enemy targets.
- MMFA(Multi-Mode-Fuzed Ammunition) such as an air-burst ammunition is set to a proper function mode by contact from a feeder and a fuze setter at firing.

Specification

Item	K40
Size(W×H×L)	700 × 1,343 × 3,893 mm
Effective Firing Range	6,000 m (Ground), 4,000 m (Air)
Maximum Firing Range	12,000 m (Approx.)
Rate of Fire	300 rds/min
Muzzle Velocity	1,005 m/s(HE), 1,400 m/s(AP)
Feeding	Bottom-up, Multiple, Linkless
Operating	Recoil Operating
Firing Mode	Safety, Single, Burst
Capacity of Ammo.	24 rounds (3 comp. by 8 rounds)
Reloading	Magazine down-docking
Ammunition	PFHE, APFSDS, MMFA, TP
Application	Fighting Vehicles

Application



40L/70K

40mm Automatic Gun(Twin/Single)



Caliber 40 mm

Type Twin or Single Barrels

Feature

- 40L/70K is a linkless, recoil-operated 40mm automatic gun mounted on warships as twin naval gun(Nobong) to engage against missiles and ships. It can also be installed in a single-barrel version for several applications.
- It features a high rate of fire, accuracy during fire, short reaction time and compatibility with a wide range of ammunitions including PFHE, HCHE, HET, and APT. And due to its superior design, it can realize full automation, complete remote control, and high servo system performance.

Specification

Item	40L/70K
Rate of Fire	300 rds/min (Single), 600 rds/min (Twin)
Muzzle Velocity	1,005 m/s
Feeding	Linkless
Operating	Recoil Operating
Ammunition	HCHE, HET, APT, TP, TP-T, PEHE
Application	Any Type of Warship, Field Mounting etc.

Application



KKCB

30mm Automatic Gun



Caliber 30 mm

Rate of Fire 600 rds/min (Single),
1,200 rds/min (Twin)

Feature

- KKCB is a belt-fed, gas-operated 30mm automatic gun with the effective firing range of up to approximately 3,000, usually mounted twin and mainly used for air-defense.
- It is now fitted on K30(Self-Propelled Anti-Aircraft Vehicle) and warships to engage flying and ground targets with a high rate of fire up to 600 rounds per minute.
- It's well-known for a high fire capacity, low weight and reliable control using a metadyne control unit, which is linked to the radar system.

Specification

Item	KKCB
Muzzle Velocity	1,080 m/s
Recoil Force	1,400 kgf
Recoil Length	36-50 mm
Feeding	Link-Belt
Operating	Gas Operating
Ammunition	TP-T, HEI, HEI-T
Application	AA Gun, Self Propelled Anti-Aircraft Gun, Combat Vehicle, Warship

Application



TGS

20mm Turreted Gun System



Caliber 20 mm

Type 3-Barrels
Gatling Gun

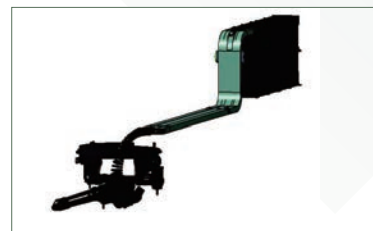
Feature

- Turreted Gun System, TGS is a turreted, 20mm three-barrels Gatling Gun System designed for use on helicopters. It consists of Turret, Gun, Feeding System and Control Unit.
- The Gun is intended for the applications that require light weight, low recoil force and compactness, providing high accuracy & dispersion.
- The Gun operates on an external motor driven and a link-belt fed. The Turret drives the Gun in azimuth and elevation.
- The Control Unit, interfaced with SMC (Stores Management Computer) controls the Gun and Feeding System, and the Control Unit provides Built-In Test function.
- TGS can rapidly track a target and fire at it, as TADS and Gun are consequently operated according to movements of HMD. Also TGS can operate in several modes such as Stow, Fixed, Flex and MBR.

Specification

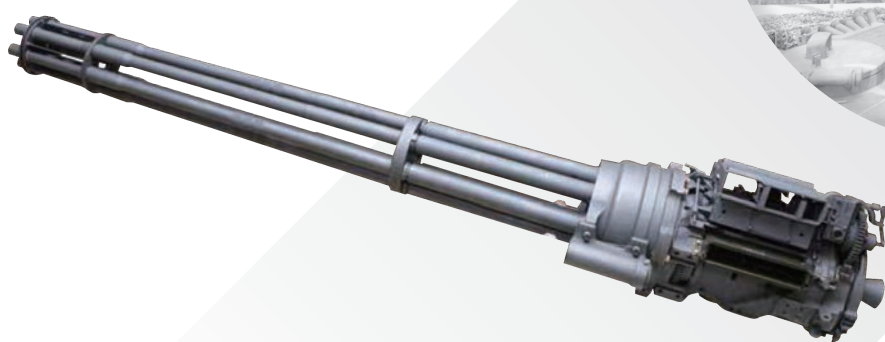
Item	TGS
Operating	External Driven
Rate of Fire	750 rds/min
Feeding	Link-Belt Feeding, KM14A2
Driving Range	Elevation : +21° ~ -50°
	Azimuth : ± 110°
Weight	186 kg w/ Feeding System, GCU, PCU
Ammunition	20mm NATO Standard Ammo.

Application



KM168

20mm Gatling Gun



Caliber 20 mm

Type 6-Barrels
Gatling Gun

Feature

- KM168 is a motor-driven, six-barrels, air-cooled, electrically-fired Gatling-type rotary gun which fires 20mm rounds at an extremely high rate of fire (typically 3,000 rounds per minute) featuring selectable burst limits, variable dispersion patterns and a link-fed system.
- The muzzle clamp can change the dispersion pattern depending on targets. At a high rate, a wide angle or rectangular dispersion is applied to engage low-flying targets with a high hit probability, and the concentrated dispersion at a low rate is effective against ground targets such as troops and light armored vehicles.
- Due to its versatility, it can be used for air-defense, anti-ship on military vehicles and ships.

Specification

Item	KM168
Maximum Firing Range	4,500 m
Effective Firing Range	2,200 m
Rate of Fire	2,700~3,000 rds/min
No. of Barrel	6 Barrels, Removable
Gun Weight	118 kg
Barrel Weight	8 kg
Barrel Length	1,523 mm
Number of Groove	9
Muzzle Velocity	1,030 m/s
Feeding	Link-Belt
Operating	External Driven
Ammunition	HEIT-SD, HEI, TP-T, TP&STP, MPT-SD
Application	Carrier, AA Gun, Warship, Fighter

Application



KM39A3

20mm Automatic Gun



Caliber 20 mm

Type Revolver

Feature

- KM39A3, is a single-barreled, gas operated, electrically-fired and belt-fed revolver gun, usually installed on aircrafts, intended for anti-aircraft application.
- It features an automatic cartridge-operated re-cocking mechanism, which enables itself to be easily installed on aircrafts and fire a full range of ammunitions suitable for air-warfare.

Specification

Item	KM39A3
Operating	Gas Operating
Fire Type	Electrical Ignition
Current Applied through Firing Pin	D.C or A.C
Rate of Fire	1,500 rds/min
Muzzle Velocity	990 m/s
Gun Length	1,839 mm
Gun Weight	82 kg
Barrel Length	1,361 mm
Barrel Weight	13 kg
Feeding	Link-Belt
Ammunition	HEIT-SD, HEI, TP&STP, MPT-SD
Application	F5 Fighter Air to Air & Ground Attack

Application



K6

12.7mm(.50 Cal.) Heavy Machine Gun, QCB



Caliber 12.7 mm

Gun weight 38 kg

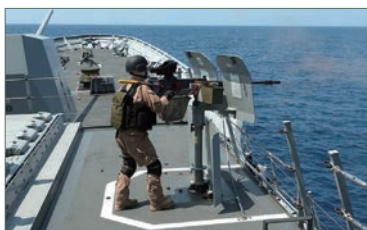
Feature

- K6 originally developed from M2HB is a fully automatic, belt-fed, air-cooled, crew-served weapon capable of right or left-hand feed. Since it was fielded to Korean Armed Forces in 1989, it has been well-known for accuracy, durability, and lethality.
- It features QCB(Quick Change Barrel) which enables one gunner alone to replace the barrel in less than 5 seconds, both reducing exposure time to enemy fire and eliminating the need to check and adjust head-space and fire-timing at user level.
- K6 has been widely used in Army, Naval and Marine of Korea for Sea, Air and Land application ranging from Infantry, Armored Vehicles and Patrol Boats to even, Helicopters. And it can be mounted on any types of vehicle with proper mounts. A full range of 12.7mm x 99mm ammunitions including Ball, AP, API allows the K6 to effectively engage enemy targets.

Specification

Item	K6
Rate of Fire	500-600 rds/min
Muzzle Velocity	930 m/s
Maximum Firing Range	6,765 m
Effective Firing Range	1,830 m
Gun Weight	38 kg
Barrel Weight	12.6 kg
Gun Length	1,654 mm
Barrel Length	1,143 mm
Feeding	Link-Belt
Operation	Short Recoil Operating
Cooling	Air
Ammunition	Ball, AP, API, API-T, TR, AP-T
Application	Fighting Vehicles, Warship, Helicopter, Ground

Application



RCWS

Remote Controlled Weapon Station



Traverse
Range

N×360°

Elevation
Range

-20° ~ +60°

Feature

- RCWS is available in either a single or dual weapon configuration, equipped with LRF and a ballistic computer for enhanced hit probability, and can be mounted on any types of vehicles. It is a reliable solution for crew protection and target engagement.
- It comes with a built-in test function and manual backup operation such as cocking, aiming and firing, fire on the move, aim at moving targets due to its stabilization and auto-target tracking system.
- Available weapons are 12.7mm M2 HMG, 40mm AGL and 7.62mm MG.

Specification

Item	RCWS
Driving max Speed	60 %/sec
Aim Accuracy	< 0.3 mrad
Day Camera	5 km Detection (Can be extended if necessary)
Night Camera	5 km (Detection)
LRF	5 km
Height	< 600 mm
Weight	< 180 kg(without Weapon/Ammo)
Ammo. Capacity	300 rds (Standard) ※ This specification is dependent on the weapon options.

Application





**Best Technology
& Best Quality**

**Gun &
Artillery Systems**

**SNT Dynamics**

HEAD OFFICE

599, Nammyeon-ro, Seongsan-gu,
Changwon-si, Gyeongnam, Korea
Tel. +82-55-280-5000
Fax. +82-55-280-5171

SELUL OFFICE

124, Teheran-ro, Gangnam-gu,
Seoul, Korea
Tel. +82-2-3279-5000
Fax. +82-2-702-5130